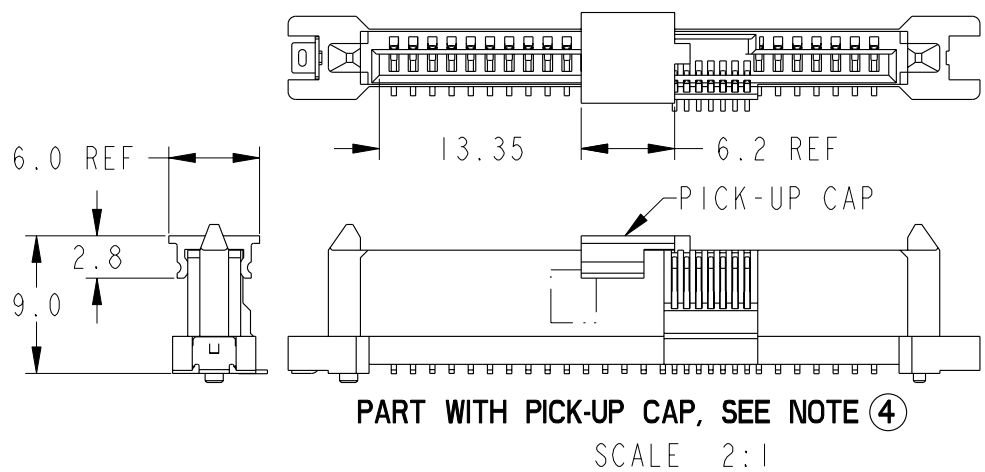
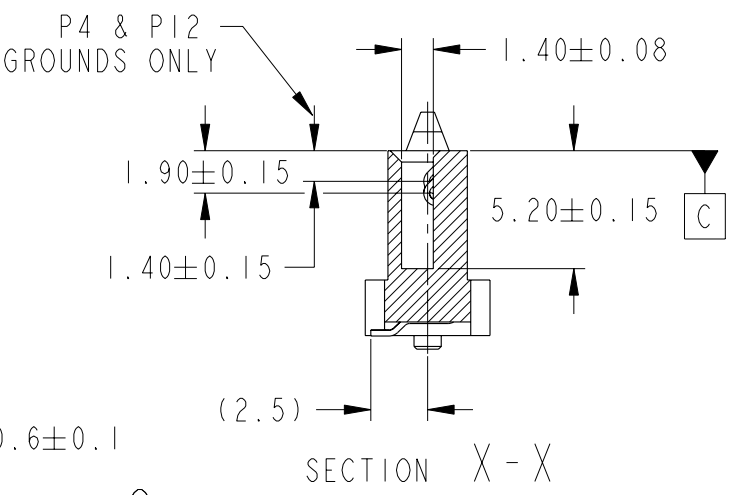
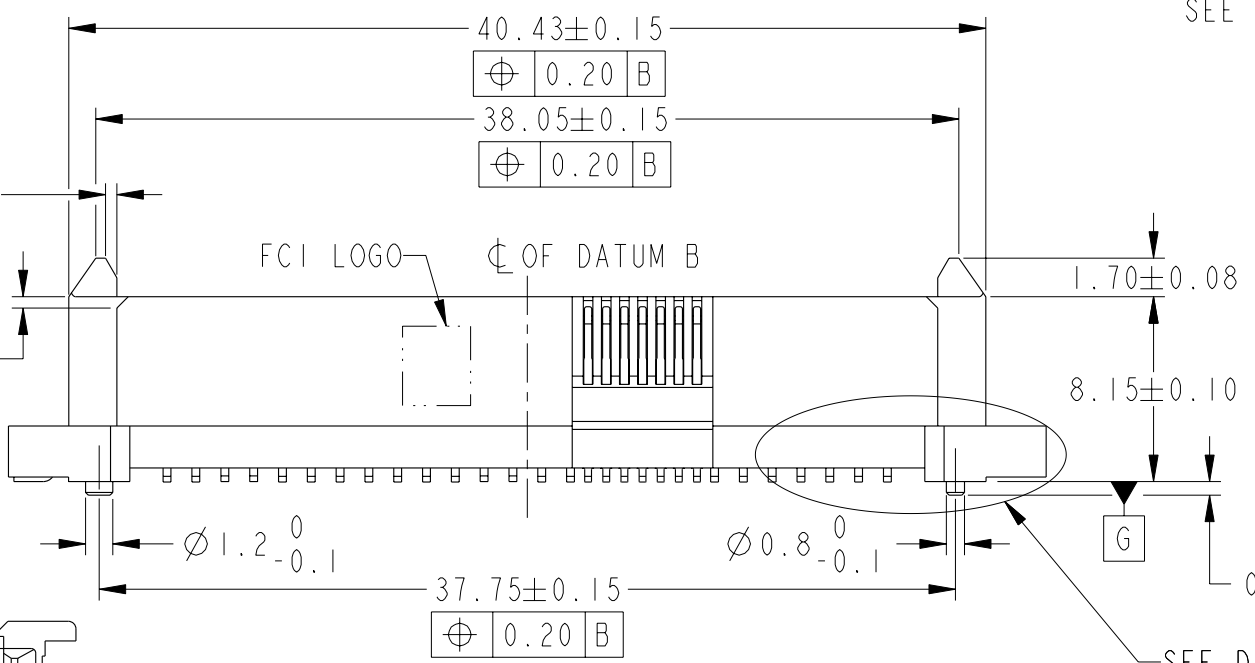
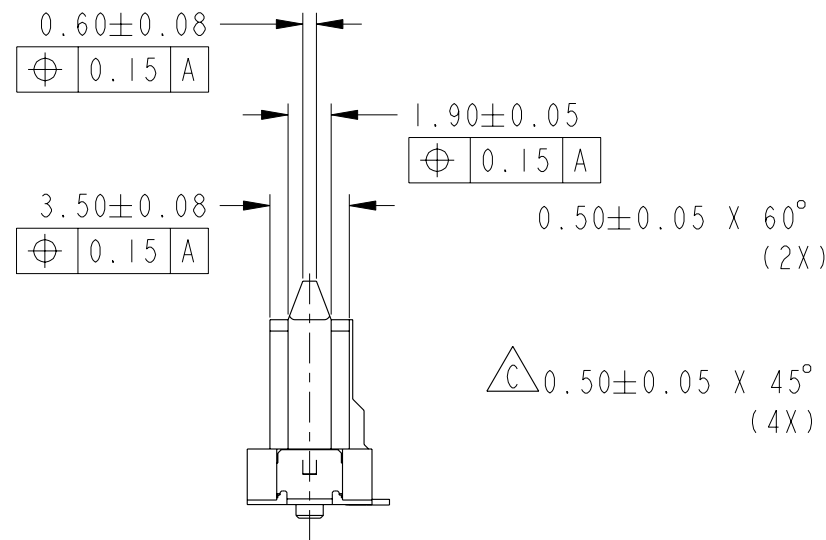
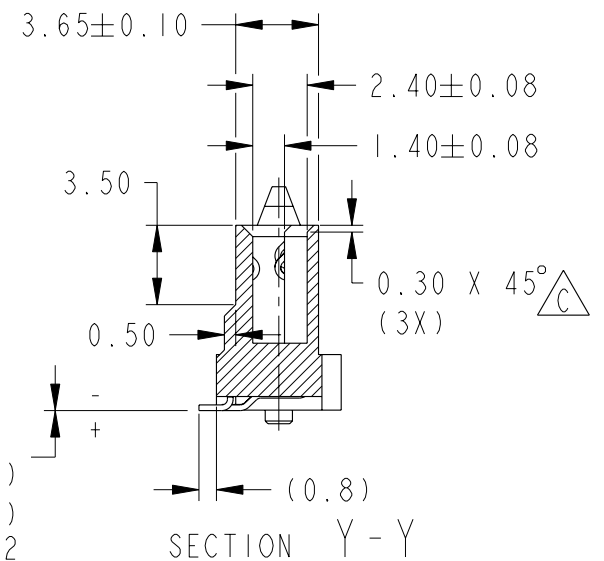
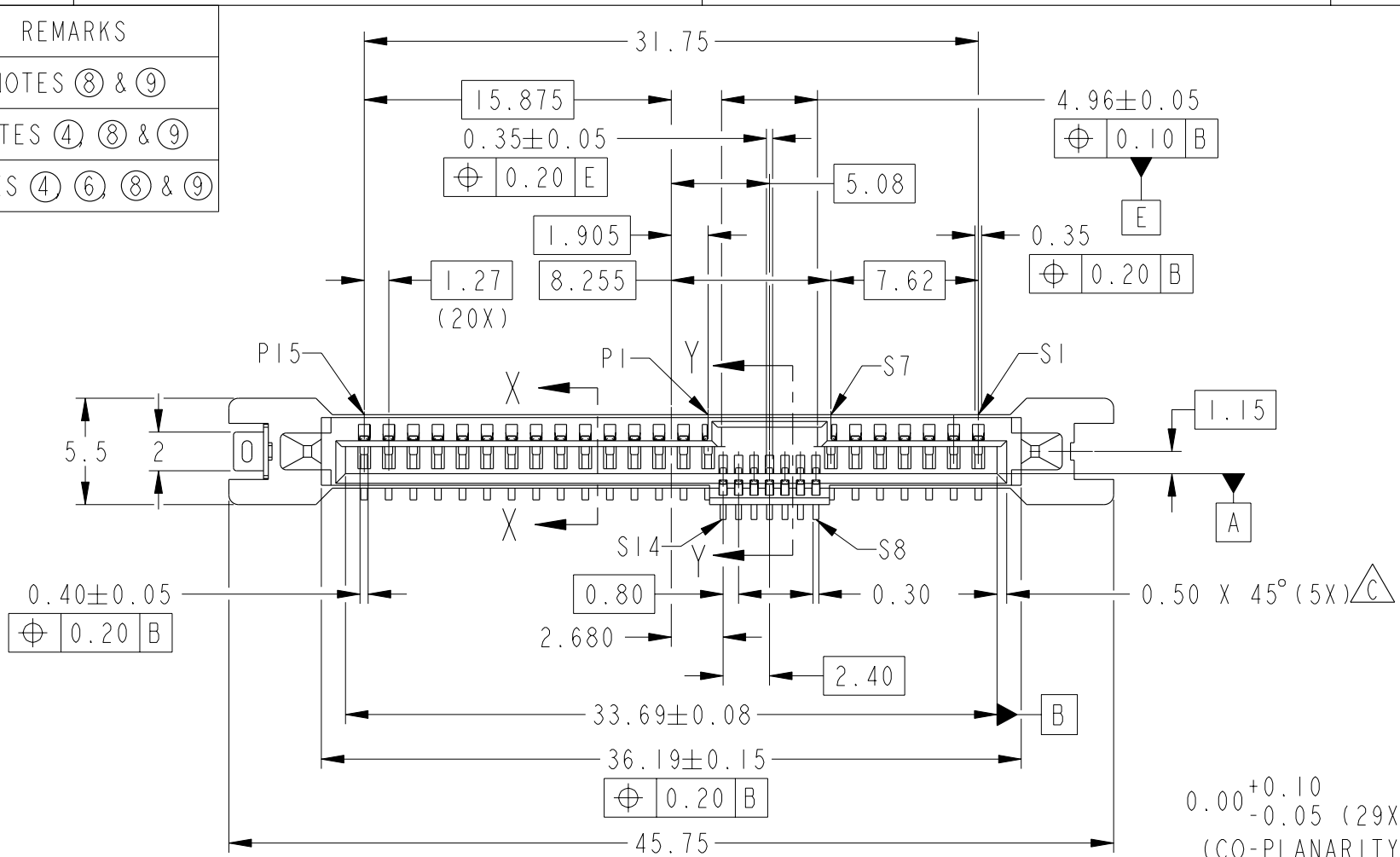




**THE DATASHEET OF
10077259-002C-TRLF**



PRODUCT NO	METAL CLIP	REMARKS
10077259-001LF	1 PC	NOTES ⑧ & ⑨
10077259-001CLF		NOTES ④, ⑧ & ⑨
10077259-001C-TRLF		NOTES ④, ⑥, ⑧ & ⑨



spec ref	-	dr	GL LOO	2007-03-06	projection	MM	size	A3	scale	3:1
tolerance std	ISO 406 ISO 1101	eng	GL LOO	2007-03-06			ecn no	S10-0228	rel level	-
TOLERANCES UNLESS OTHERWISE SPECIFIED		chr	GL LOO	2010-10-28						
surface	ISO 1302	appr	JOEY NG	2010-10-28	SAS		rel level	-	dwg no	10077259
linear	0.X ± 0.XX ±0.20 0.XXX ±			SAS RECEPTACLE VERTICAL SMT TYPE ASSY		rev	C	Product - Customer Drw		sheet 1 of 3
angular	0° ±2°	www.fci.com		cat. no.	-	STATUS:Released		Printed: Nov 01, 2011		

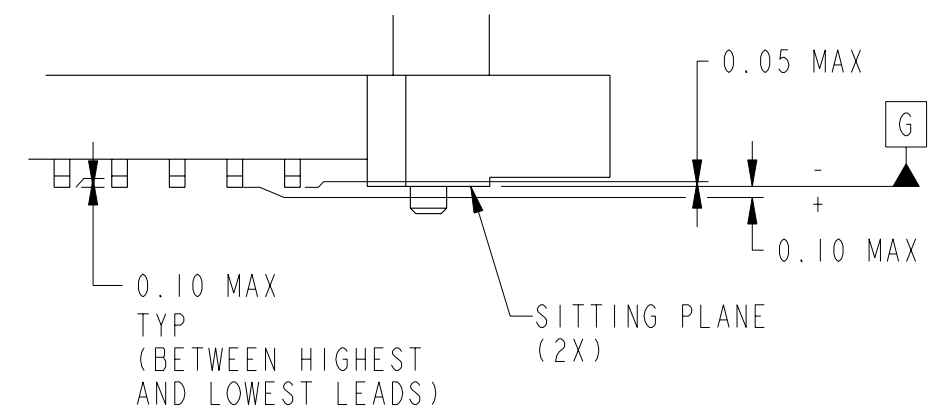
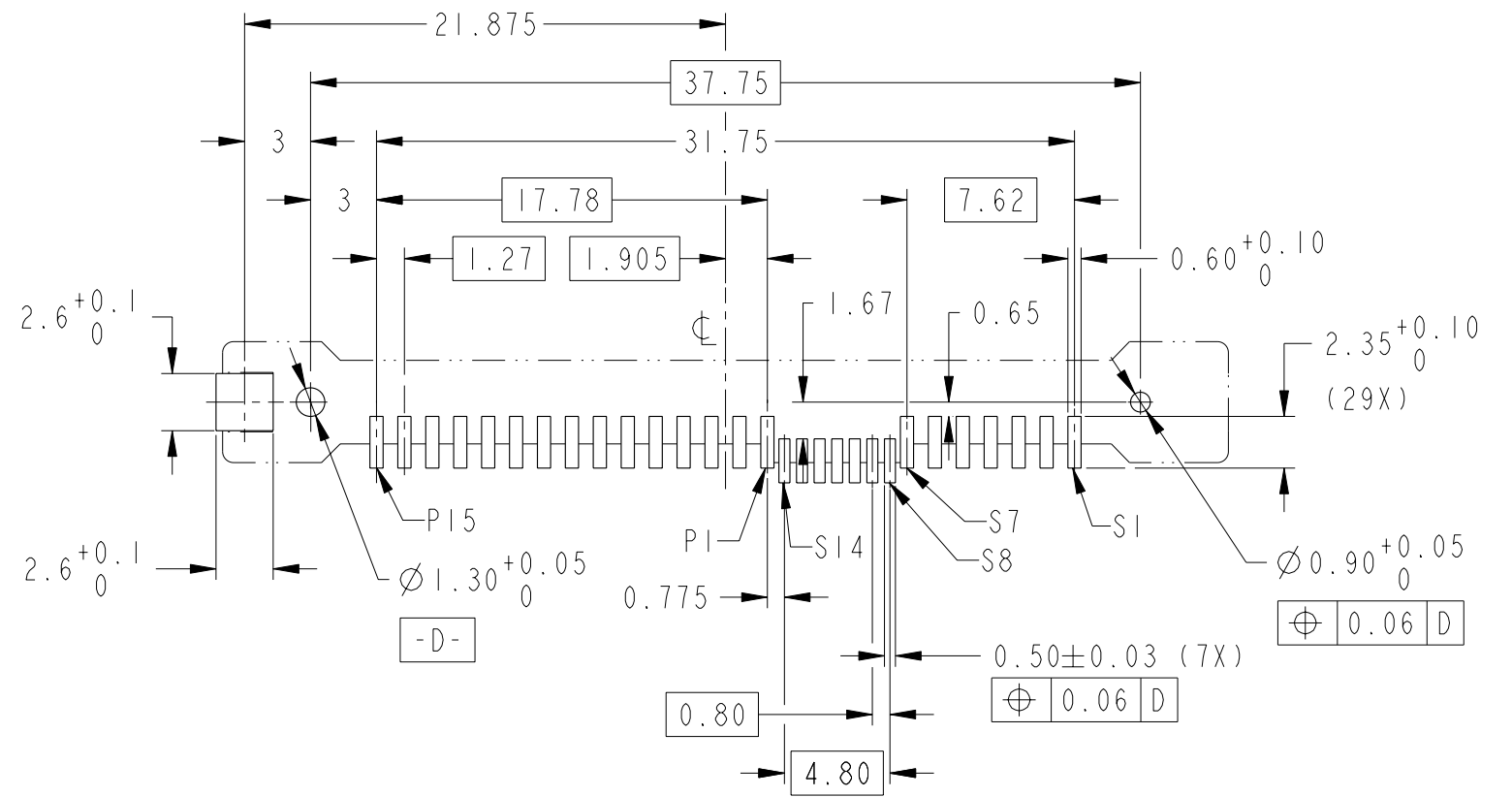
Copyright FCI.

PRODUCT NO
SEE TABLE

RECOMMENDED PCB LAYOUT

NOTES:

1. MATERIAL :
1) HOUSING : HIGH TEMP THERMOPLASTIC,
UL 94V-0, BLACK COLOR
2) TERMINAL : COPPER ALLOY
3) HOLD DOWN : COPPER ALLOY
2. FINISH :
1) TERMINAL : 30μ" Au PLATING (CONTACT POINT)
OVER 50μ" NICKEL
2) SOLDER TAIL : 100μ" MIN Sn OVER 50μ" NICKEL
3) HOLD DOWN : 100μ" MIN Sn OVER 50μ" NICKEL
- ③ PER SFF REV 1.1
- ④ PART WITH PICK-UP CAP, P/N XXXXXXXX-XXXX LF.
- ⑤ THE STD PACKAGING IS IN TRAY
- ⑥ FOR TAPE & REEL PACKAGING, SUFFIX "-TR" ADDED,
P/N XXXXXXXX-XXXX-TR LF
7. THE HOUSING WILL WITHSTAND EXPOSURE TO 260°C PEAK
TEMPERATURE FOR 10 SECONDS IN A CONVECTION, INFRA-RED OR
VAPOR PHASE REFLOW OVEN.
- ⑧ THIS PRODUCT MEETS EUROPEAN UNION DIRECTIVES AND OTHER
COUNTRY REGULATIONS AS DESCRIBED IN GS-22-008.
- ⑨ PART NUMBERS ENDING IN "LF" MEANS FOR NOTE 8 LEAD .
FREE IDENTIFICATION.
10. A $\triangle C$ SYMBOL WILL BE NEXT TO ANY DIMENSION, VIEW, OR NOTE
WHICH HAS BEEN MODIFIED WITH THE CURRENT DRAWING REVISION.



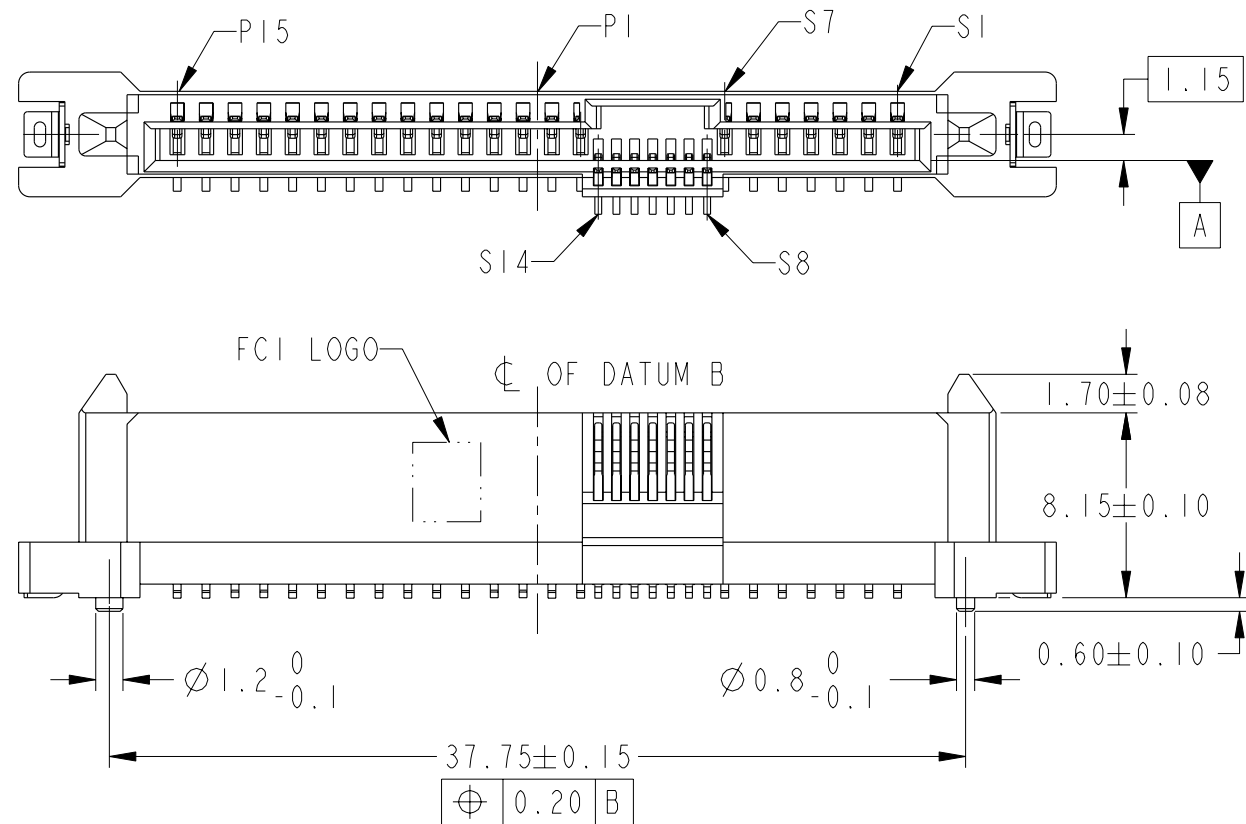
DETAIL 2
SCALE 6:1

spec ref	-	dr	GL LOO	2007-03-06	projection	MM	size	A3	scale	3:1	
tolerance std	ISO 406 ISO 1101	eng	GL LOO	2007-03-06			ecn no	S10-0228			
TOLERANCES UNLESS OTHERWISE SPECIFIED		chr	GL LOO	2010-10-28			product family	SAS	rel level	-	
surface	ISO 1302	appr	JOEY NG	2010-10-28			dwg no	10077259		rev	C
	linear	0.X	±-		SAS RECEPTACLE VERTICAL SMT TYPE ASSY		cat. no. -		Product - Customer Drw		sheet 2 of 3
		0.XX	±0.20								
	angular	0°	±2°								



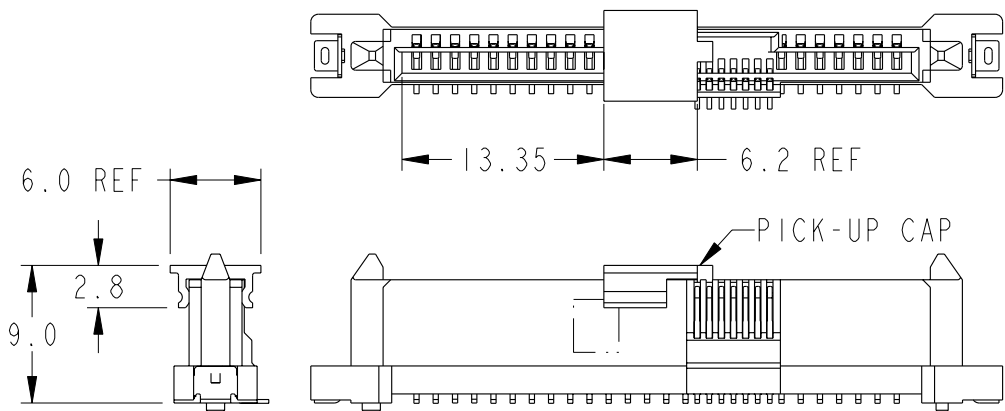
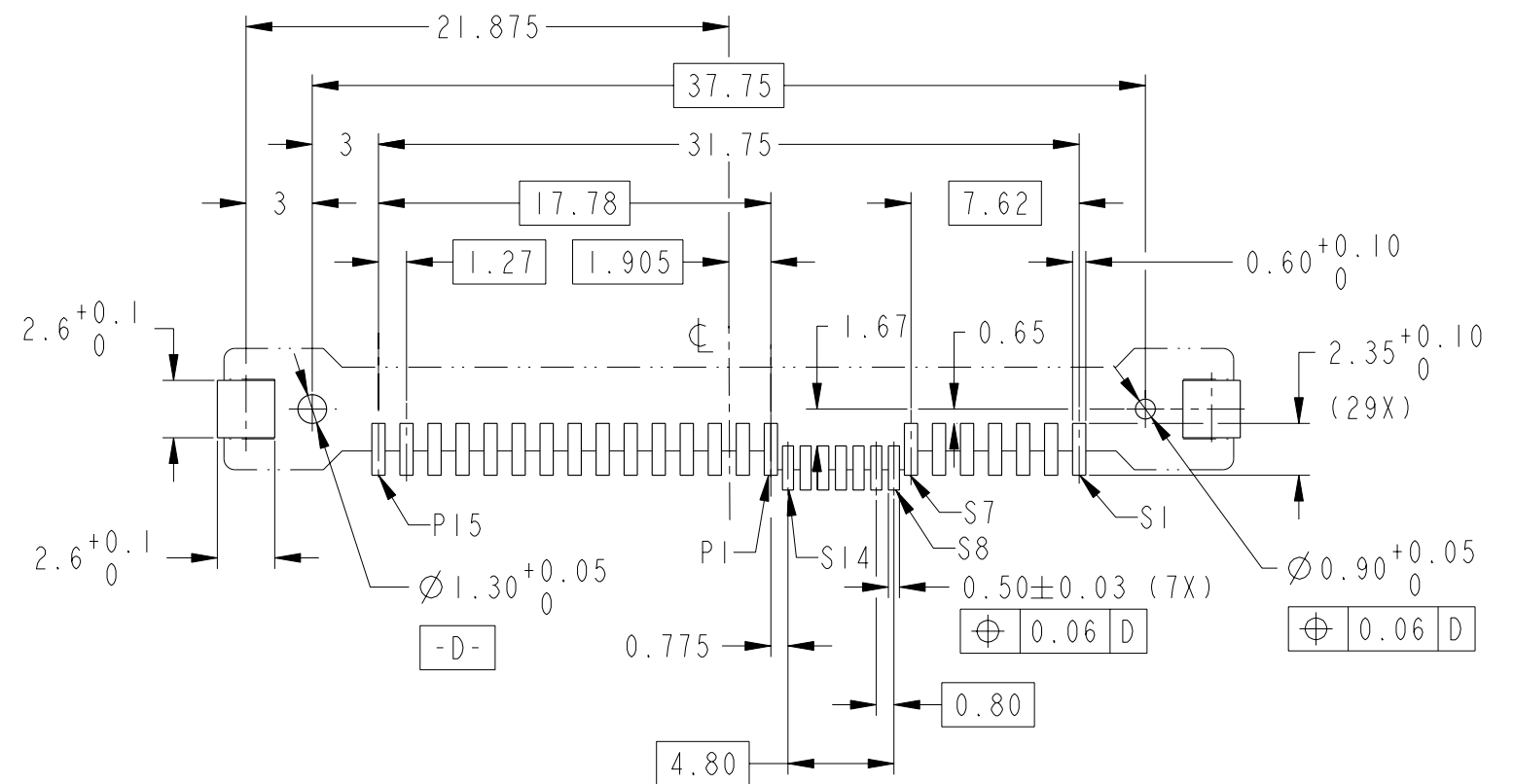
Copyright FCI.

PRODUCT NO	METAL CLIP	REMARKS
10077259-002LF	2 PCS	NOTES ⑧ & ⑨
10077259-002CLF		NOTES ④, ⑧ & ⑨
10077259-002C-TRLF		NOTE ④, ⑥, ⑧ & ⑨



NOTES:
ALL OTHER DIMENSIONS, REFER TO SHEET 1.

RECOMMENDED PCB LAYOUT



PART WITH PICK-UP CAP, SEE NOTE ④

SCALE 2:1

spec ref	-	dr	GL LOO	2007-03-06	projection	MM	size	A3	scale	3:1
tolerance std	ISO 406 ISO 1101	eng	GL LOO	2007-03-06			ecn no	S10-0228		
TOLERANCES UNLESS OTHERWISE SPECIFIED		chr	GL LOO	2010-10-28			rel level	-		
surface	✓	appr	JOEY NG	2010-10-28	product family	SAS		rel level	-	
ISO 1302	linear	0.X	±			SAS RECEPTACLE VERTICAL SMT TYPE ASSY	dwg no 10077259	rev C		
		0.XX	±0.20							
	angular	0°	±2°							
		www.fci.com		cat. no.	-	Product - Customer Drw		sheet 3 of 3		

Looking for pricing, stock, or lifecycle information?

Click below to explore more details on WIN SOURCE:

 [View 10077259-002C-TRLF on WIN SOURCE](#)

 [Amphenol FCI Information](#)

Optimize Your Supply Chain with WIN SOURCE Solutions

-  Global Sourcing Solution
-  Obsolete Management
-  Cost Control Management
-  Shortage Management
-  Alternative Solution
-  Excess Inventory Management