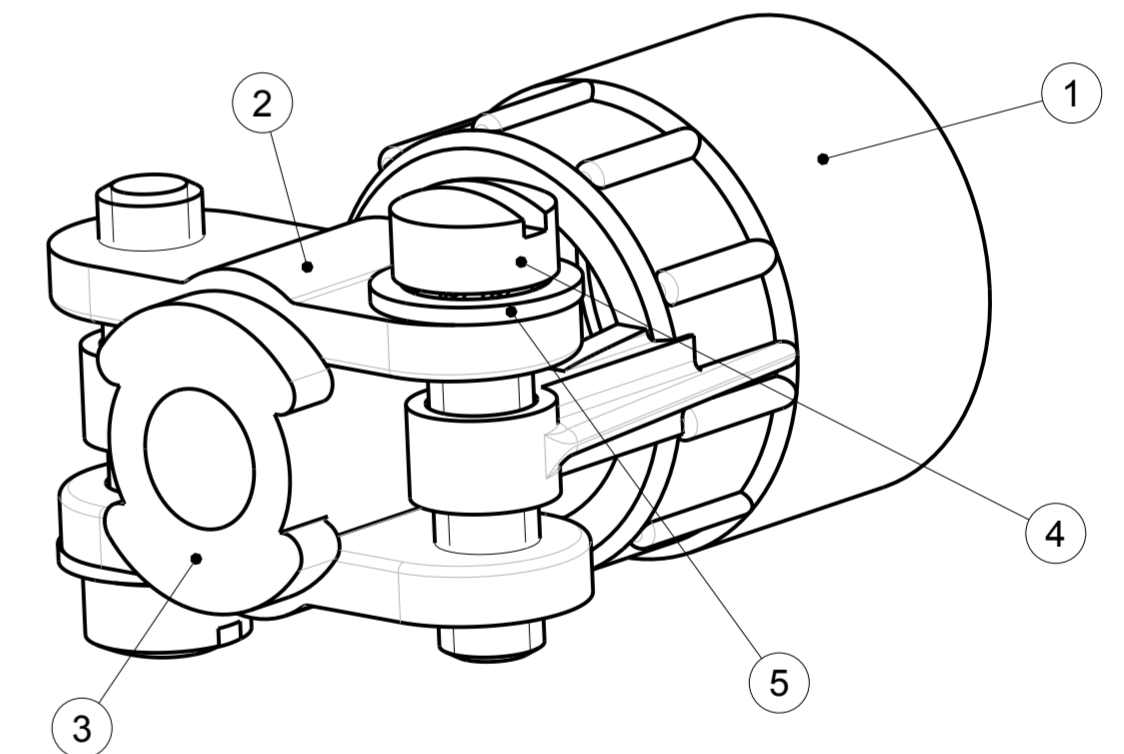


Item	Qty	Designation	Material
1	1	Backshell body	Al Alloy, Ni plated
2	2	Clamping plate	Al Alloy, Ni plated
3	1	Boot	Elastomer
4	2	Screw	Brass, Ni plated
5	2	Washer	Brass, Ni plated

Performance Characteristics :

Operating temperature : -40°C up to 105°C
Corrosion salt spray : 48 hours

Size	Part Number	Ø A	B maxi	C maxi	WEIGHT(g) (For information)	Capacity Ø D Maxi	E maxi	F maxi
10	UTO10AC	16.30	21.60	28.90	8.25	5.00	16.70	12.30
12	UTO12AC	19.50	25.00	28.90	9	8.20	16.70	12.30
14	UTO14AC	22.70	27.40	28.90	12.5	10.00	20.80	12.30
16	UTO16AC	25.90	29.40	32.00	12	13.00	20.80	12.30
18	UTO18AC	29.30	35.20	31.50	16.5	16.10	24.20	13.60
20	UTO20AC	32.60	35.20	28.50	16	16.10	24.20	13.60
22	UTO22AC	35.80	41.10	28.50	20	19.30	29.20	13.60
24	UTO24AC	38.90	42.40	28.50	21	20.60	29.20	13.60





P/N : See table

d	05/11/13	remove drawing, add column "E maxi", "F maxi" and material definition		
ISS	DATE	Latest modification - by: LANDAIS.P		MOD N°
Designed by: C. PROVOST		Date: 01/09/03	CUSTOMER DRAWING	
TITLE		STRAIGHT CABLE CLAMP UTO CONNECTOR		
Scale	~127/30	General linear Tolerances: ± --	NPRDS / PROJECT UTO	
SOURIAU		WWW.SOURIAU.COM		This document is the property of SOURIAU. It must not be reproduced or communicated without permission.
FORMAT	A2	SOURIAU DRG N° UTOXXAC-C01		SHEET 1 / 1

Looking for pricing, stock, or lifecycle information?

Click below to explore more details on WIN SOURCE:

-  [View UT022AC on WIN SOURCE](#)
-  [Souriau-Sunbank by Eaton](#) Information

Optimize Your Supply Chain with WIN SOURCE Solutions

-  Global Sourcing Solution
-  Obsolete Management
-  Cost Control Management
-  Shortage Management
-  Alternative Solution
-  Excess Inventory Management