



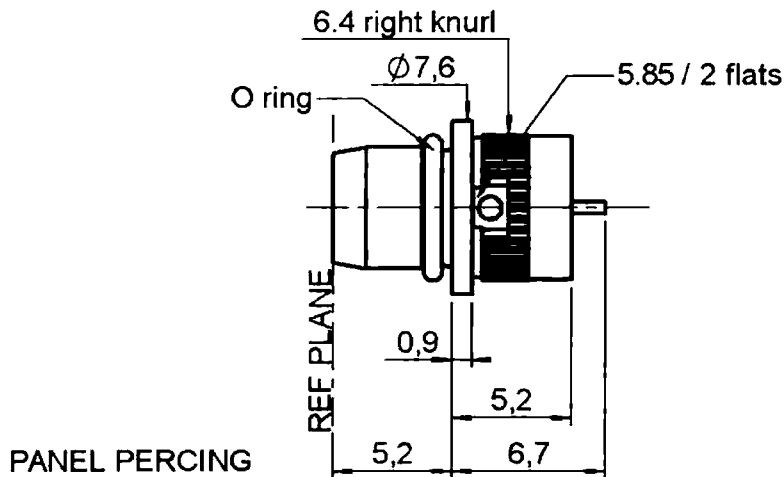
**THE DATASHEET OF
R128595001**



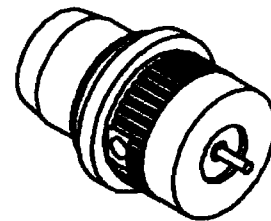
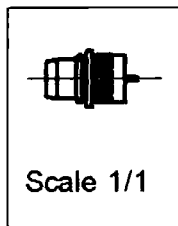
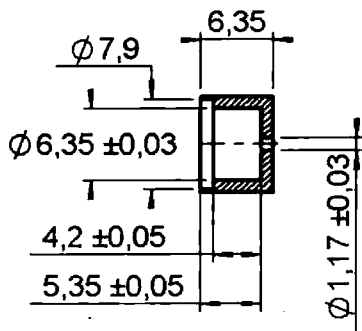
**PRESS FIT PLUG RECEPTACLE
WITH CYLINDRICAL CONTACT**

R128.595.001

Series : **BMA**



PANEL PERCING



All dimensions are in mm.

COMPONENTS	MATERIALS	PLATING
BODY	STAINLESS STEEL	PASSIVATED . μm
CENTRE CONTACT	BRASS	GOLD 1.3 OVER NICKEL 2 μm
OUTER CONTACT	-	- μm
INSULATOR	PTFE	
GASKET	SILICONE RUBBER	
OTHERS PARTS	-	- μm
-	-	-
-	-	-



dition : 9926 D

Design changes may be in order to improve the product.

**PRESS FIT PLUG RECEPTACLE
WITH CYLINDRICAL CONTACT**

R128.595.001

Series : BMA

ELECTRICAL CHARACTERISTICS

Impedance		50 Ω
Frequency		0-22 GHz
VSWR	1.25* +	0.000 x F(GHz) Maxi
Insertion loss		0.07 √F(GHz) dB Maxi
RF leakage	- (90 - F(GHz)) dB mini
Voltage rating		500 Veff Maxi
Dielectric withstanding voltage		1500 Veff mini
Insulation resistance		5000 MΩ mini

SPECIFICATION

ENVIRONMENTAL

Operating temperature	-65/+125 ° C
Hermetic seal	NA Atm.cm3/s
Leakage – pressurised only	NA Mpa

OTHERS CHARACTERISTICS

Assembly instruction **NA**

Others :
* de 0 -10 Ghz

MECHANICAL CHARACTERISTICS

Centre contact retention		
Axial force – Mating end		27 N mini
Axial force – Opposite end		27 N mini
Torque		NA N.cm mini
Recommended torque		
Mating		NA N.cm
Panel nut		NA N.cm
Mating life		1000 Cycles mini
Weight		1.500 g



RADIALL®

dition : 9926 D

Design changes may be in order to improve the product.






Looking for pricing, stock, or lifecycle information?

Click below to explore more details on WIN SOURCE:

 [View R128595001](#) on WIN SOURCE

 [Radiall USA, Inc.](#) Information

Optimize Your Supply Chain with WIN SOURCE Solutions

-  Global Sourcing Solution
-  Obsolete Management
-  Cost Control Management
-  Shortage Management
-  Alternative Solution
-  Excess Inventory Management