



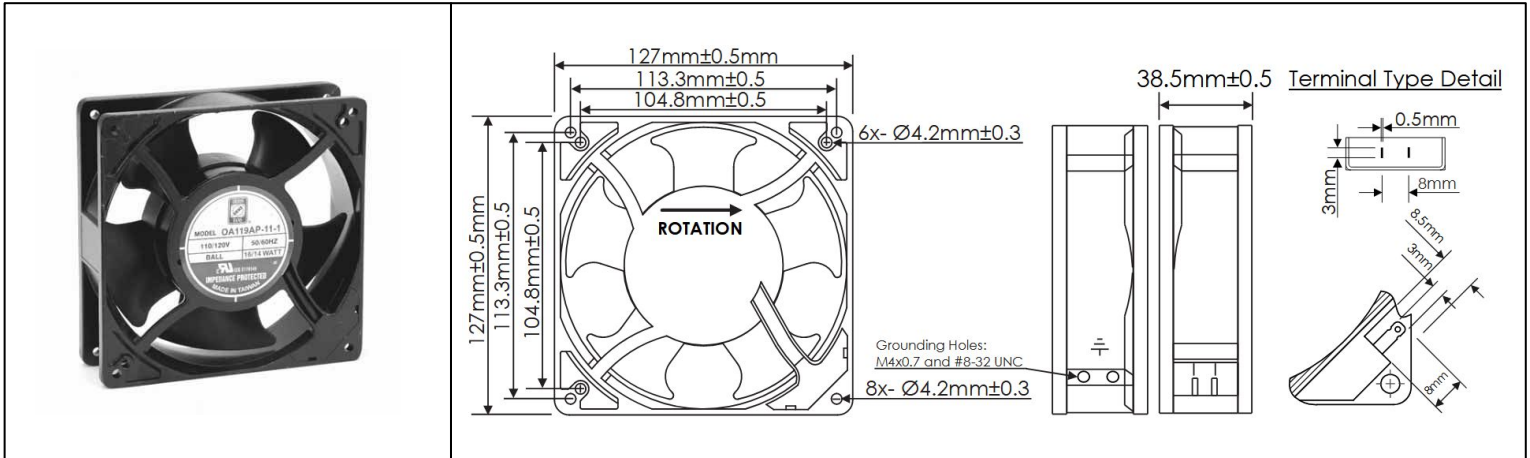
**THE DATASHEET OF
OA119AP-11-1TB**



OA119AP Series



AC Fans - 115, 230V
127mm x 38.5mm (5.00" x 1.52")



Frame	Die Cast Aluminum, Black Finish	Operating Temperature -20°C ~ +75°C (Ball Bearing) -10°C ~ +50°C (Sleeve Bearing) Storage Temperature -40°C ~ +85°C Life Expectancy Ball Bearing: 85,000 Hours (L10 at 45°C) Sleeve Bearing: 30,000 Hours (L10 at 45°C) Available Options IP / Salt Fog Ratings Tachometer Output Weight: 1.3 lbs.	
Impeller	PBT, UL94 V-0 Plastic		
Power Connection	2x Lead Wires, 22 AWG 300mm, or Terminals		
Motor	AC Shaded Pole, Impedance Protected		
Bearing System	Ball, or Sleeve		
Dielectric Strength	1500VAC/min, <1mA		
Insulation Resistance	≥10MΩ @ 500V DC		

Part Number	Rated Voltage (Volts AC)	Voltage Range (Volts AC)	Frequency (Hertz)	Input Power (Watts)(Max)	Rated Speed (RPM)	Max Airflow (CFM)	Noise Level (dBA)	Max Static Pressure ("H ₂ O)
OA119AP-11-1*	115	100 ~ 125	50 / 60	14 (25)	2725	130	46.1	0.24
OA119AP-11-2*	115	100 ~ 125	50 / 60	10 (17)	2300	95	37.4	0.15
OA119AP-11-3*	115	100 ~ 125	50 / 60	7 (9)	1400	74	28.2	0.10
OA119AP-22-1*	230	200 ~ 250	50 / 60	14 (25)	2725	130	46.1	0.24
OA119AP-22-2*	230	200 ~ 250	50 / 60	10 (17)	2300	95	37.4	0.15
OA119AP-22-3*	230	200 ~ 250	50 / 60	7 (9)	1400	74	28.2	0.10

* Indicate "TB" (Terminal Ball Bearing), "WB" (Wire Leads, Ball Bearing), "TS" (Terminal, Sleeve Bearing), "WS" (Wire Leads, Sleeve Bearing).
* Table and PQ graph shows 60Hz values.

Looking for pricing, stock, or lifecycle information?

Click below to explore more details on WIN SOURCE:

 [View OA119AP-11-1TB on WIN SOURCE](#)

 [Orion Fans Information](#)

Optimize Your Supply Chain with WIN SOURCE Solutions

-  Global Sourcing Solution
-  Obsolete Management
-  Cost Control Management
-  Shortage Management
-  Alternative Solution
-  Excess Inventory Management