



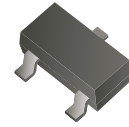
**THE DATASHEET OF  
MMBT2907A-HF**



## MMBT2907A-HF (PNP)

RoHS Device

Halogen Free

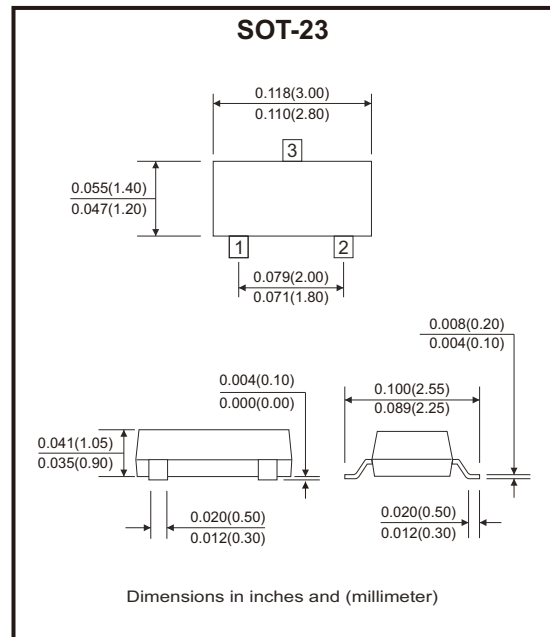


### Features

- Epoxy meets UL-94 V-0 flammability rating.
- Moisture sensitivity Level 1.
- High conductance.
- Surface mount package ideally suited for automatic insertion.

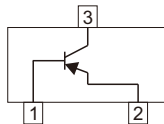
### Mechanical data

- Case: SOT-23, molded plastic.
- Terminals: Tin plated leads, solderable per J-STD-002 and JESD22-B102.



### Circuit Diagram

1. Base
2. Emitter
3. Collector



### Maximum Ratings (at Ta=25°C unless otherwise noted)

Parameter	Symbol	Value	Unit
Collector-base voltage	$V_{CBO}$	-60	V
Collector-emitter voltage	$V_{CEO}$	-60	V
Emitter-base voltage	$V_{EBO}$	-5	V
Collector current	$I_C$	-0.6	A
Collector power dissipation	$P_C$	300	mW
Thermal resistance from junction to ambient	$R_{\theta JA}$	417	°C/W
Junction temperature range	$T_J$	-55 to +150	°C
Storage temperature range	$T_{STG}$	-55 to +150	°C

## Electrical Characteristics (at Ta=25°C unless otherwise noted)

Parameter	Conditions	Symbol	Min	Max	Unit
Collector-base breakdown voltage	$I_C = -10\mu A, I_E = 0$	$V_{CBO}$	-60		V
Collector-emitter breakdown voltage	$I_C = -10mA, I_B = 0$	$V_{CEO}$	-60		V
Emitter-base breakdown voltage	$I_E = -10\mu A, I_C = 0$	$V_{EBO}$	-5		V
Collector-base cut-off current	$V_{CB} = -50V, I_E = 0$	$I_{CBO}$		-0.1	$\mu A$
Collector-emitter cut-off current	$V_{CE} = -30V, V_{EB} = -0.5V$	$I_{CEX}$		-0.05	$\mu A$
DC current gain	$V_{CE} = -10V, I_C = -0.1mA$	$h_{FE(1)}$	75		
	$V_{CE} = -10V, I_C = -1mA$	$h_{FE(2)}$	100		
	$V_{CE} = -10V, I_C = -10mA$	$h_{FE(3)}$	100		
	$V_{CE} = -10V, I_C = -150mA$	$h_{FE(4)}$	100	300	
	$V_{CE} = -10V, I_C = -500mA$	$h_{FE(5)}$	50		
Collector-emitter saturation voltage	$I_C = -150mA, I_B = -15mA$ $I_C = -500mA, I_B = -50mA$	$V_{CE(sat)}$		-0.4 -1.6	V
Base-emitter saturation voltage	$I_C = -150mA, I_B = -15mA$ $I_C = -500mA, I_B = -50mA$	$V_{BE(sat)}$		-1.3 -2.6	V
Transition frequency	$V_{CE} = -20V, I_C = -50mA, f = 100MHz$	$f_r$	200		MHz
Delay time	$V_{CC} = -30V,$	$t_d$		10	ns
Rise time	$I_C = -150mA, I_{B1} = -15mA$	$t_r$		40	ns
Storage time	$V_{CC} = -6V,$	$t_s$		80	ns
Fall time	$I_C = -150mA, I_{B1} = I_{B2} = -15mA$	$t_f$		30	ns

## Rating and Characteristic Curves (MMBT2907A-HF)

Fig.1 - Static Characteristic

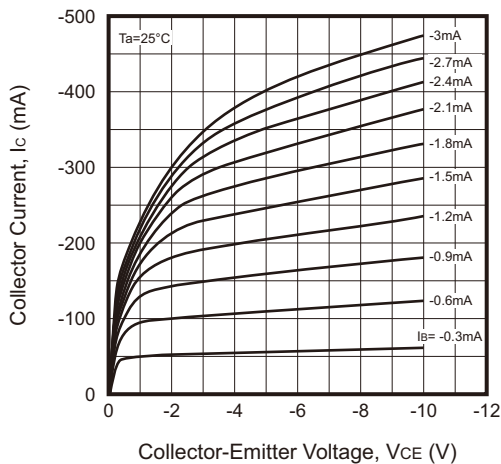
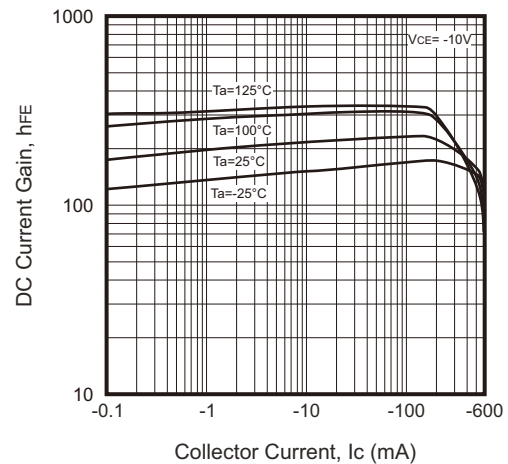


Fig.2 - DC Current Gain



## Rating and Characteristic Curves (MMBT2907A-HF)

Fig.3 - Collector-Emitter Saturation Voltage

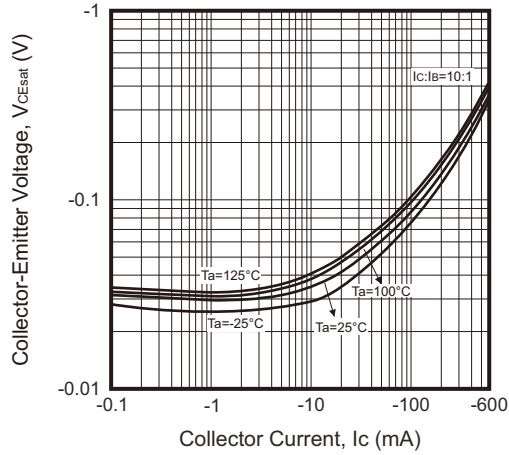


Fig.4 - Base-Emitter Saturation Voltage

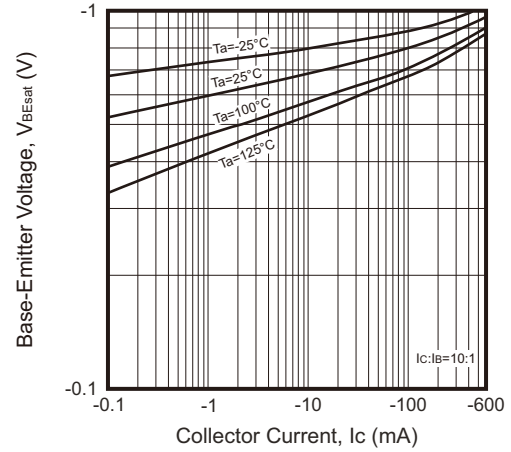


Fig.5 - Base-Emitter on Voltage

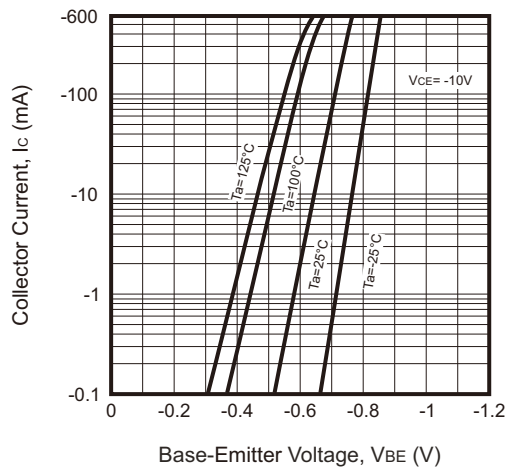


Fig.6 -  $C_{ob}/C_{ib} - V_{CB}/V_{EB}$

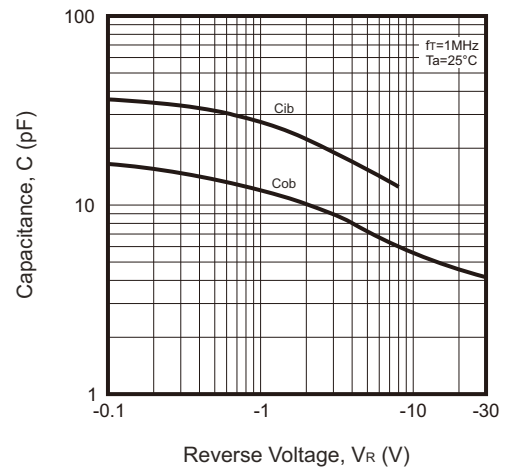
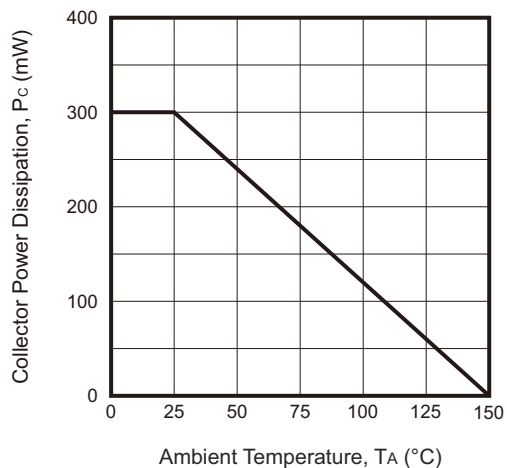
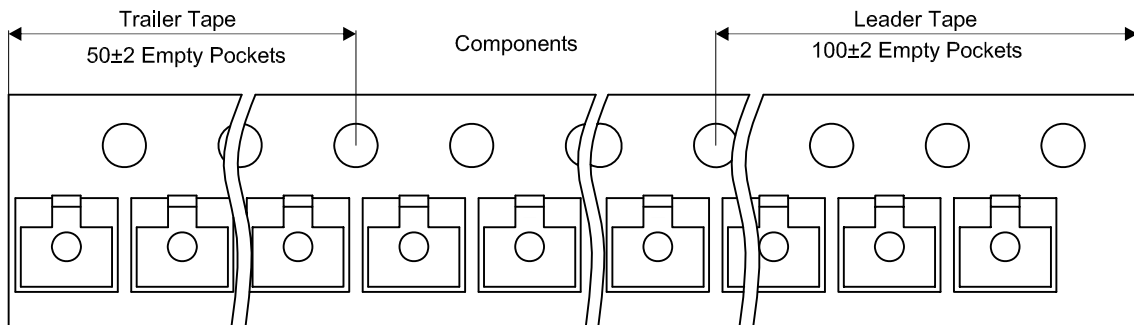
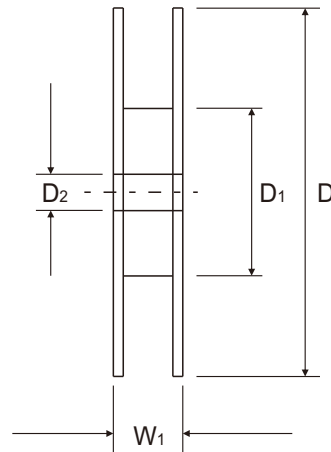
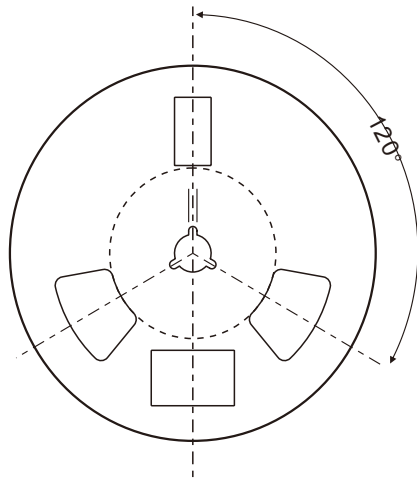
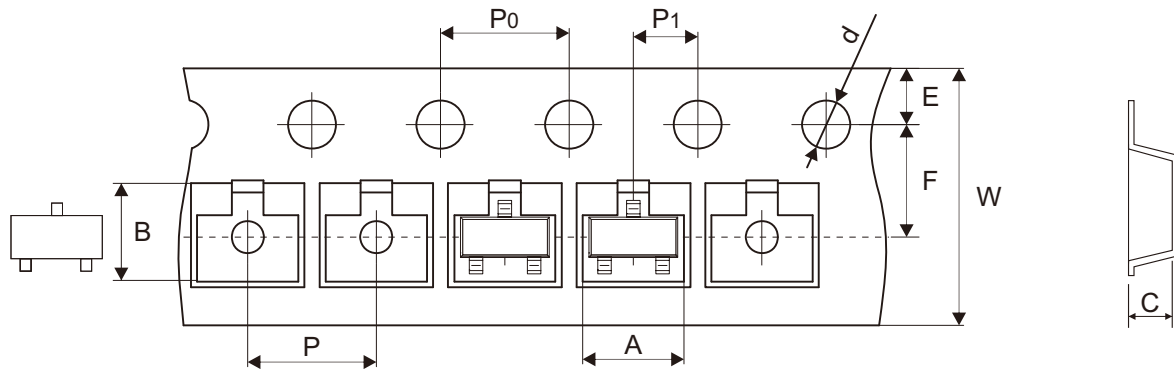


Fig.7 - Collector Power Derating Curve



## Reel Taping Specification



SOT-23	SYMBOL	A	B	C	d	D	D1	D2
	(mm)	$3.15 \pm 0.10$	$2.77 \pm 0.10$	$1.22 \pm 0.10$	$1.50 + 0.10 - 0.00$	$178.00 \pm 1.00$	$54.60 \pm 1.00$	$13.30 \pm 1.00$
	(inch)	$0.124 \pm 0.004$	$0.109 \pm 0.004$	$0.048 \pm 0.004$	$0.059 + 0.004 - 0.000$	$7.008 \pm 0.039$	$2.150 \pm 0.039$	$0.524 \pm 0.039$

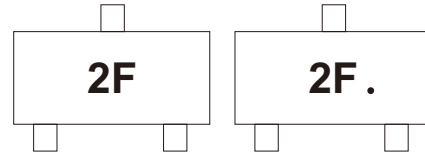
SOT-23	SYMBOL	E	F	P	P0	P1	W	W1
	(mm)	$1.75 \pm 0.10$	$3.50 \pm 0.05$	$4.00 \pm 0.10$	$4.00 \pm 0.10$	$2.00 \pm 0.05$	$8.00 + 0.30 - 0.10$	$11.10 \pm 0.20$
	(inch)	$0.069 \pm 0.004$	$0.138 \pm 0.002$	$0.157 \pm 0.004$	$0.157 \pm 0.004$	$0.079 \pm 0.002$	$0.315 + 0.012 - 0.004$	$0.437 \pm 0.008$

Company reserves the right to improve product design, functions and reliability without notice.

REV:C

## Marking Code

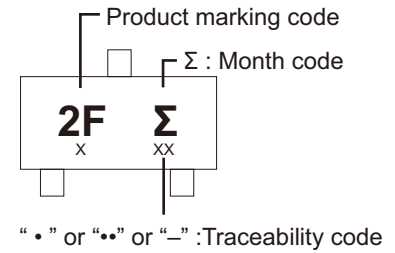
Part Number	Marking Code	
MMBT2907A-HF	2F $\Sigma$	2F



Solid dot = Control code

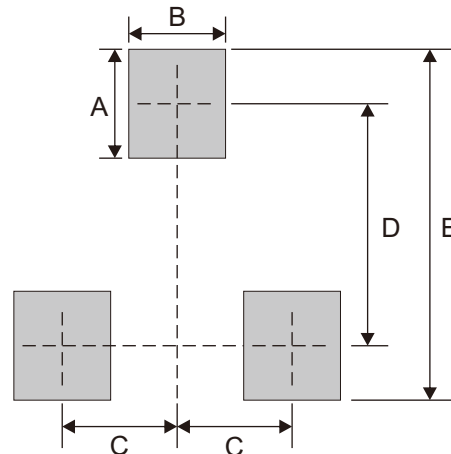
## Month Code:

Month	Odd Year (per A.D.)	Even Year (per A.D.)	Month	Odd Year (per A.D.)	Even Year (per A.D.)
Jan	1	E	Jul	7	N
Feb	2	F	Aug	8	P
Mar	3	H	Sep	9	U
Apr	4	J	Oct	T	X
May	5	K	Nov	V	Y
Jun	6	L	Dec	C	Z



## Suggested P.C.B. PAD Layout

SIZE	SOT-23	
	(mm)	(inch)
A	0.90	0.035
B	0.80	0.031
C	0.95	0.037
D	2.00	0.079
E	2.90	0.114



Note: 1. The pad layout is for reference purposes only.

## Standard Packaging

Case Type	REEL PACK	
	REEL (pcs)	Reel Size (inch)
SOT-23	3,000	7

## Looking for pricing, stock, or lifecycle information?

Click below to explore more details on WIN SOURCE:

- ⊖ [View MMBT2907A-HF on WIN SOURCE](#)
- ⊖ [Comchip Technology Information](#)

## Optimize Your Supply Chain with WIN SOURCE Solutions

- ✓ Global Sourcing Solution
- ✓ Obsolete Management
- ✓ Cost Control Management
- ✓ Shortage Management
- ✓ Alternative Solution
- ✓ Excess Inventory Management