



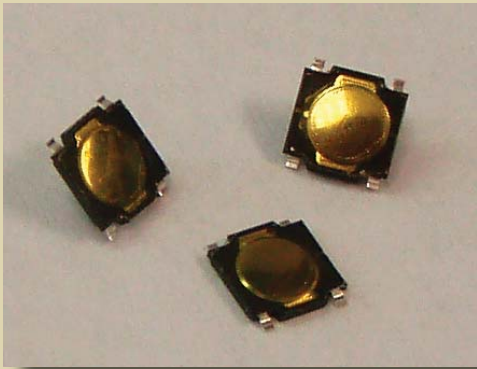
**THE DATASHEET OF
TL3315NF160Q**



SERIES TL3315 SWITCHES



TACT SWITCHES SMT - LOW PROFILE



FEATURES & BENEFITS

Very low profile
Surface Mount

APPLICATIONS / MARKETS

Consumer Electronics
Audio/visual
Medical
Testing/Instrumentation
Telecommunications
Computer/Servers/Peripherals

MECHANICAL SPECIFICATIONS

Force:	100 +/- 30 gf; 160 +/- 50 gf; 250 +/- 50 gf
Travel:	0.20mm

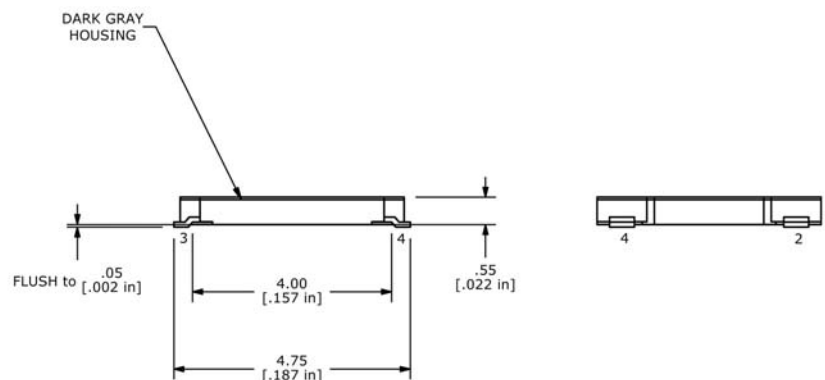
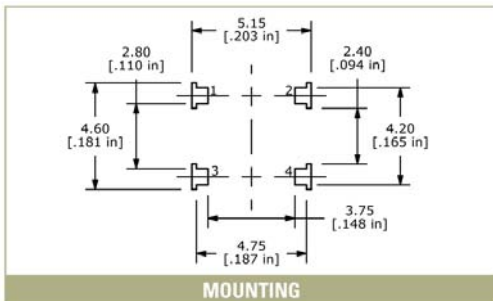
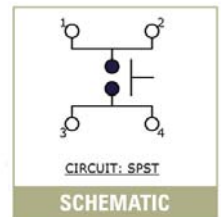
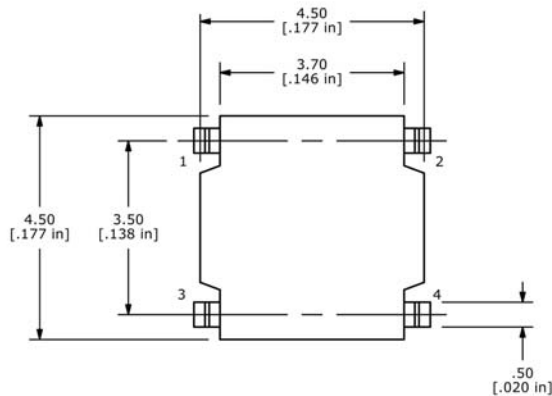
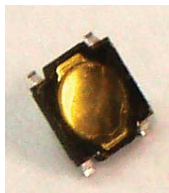
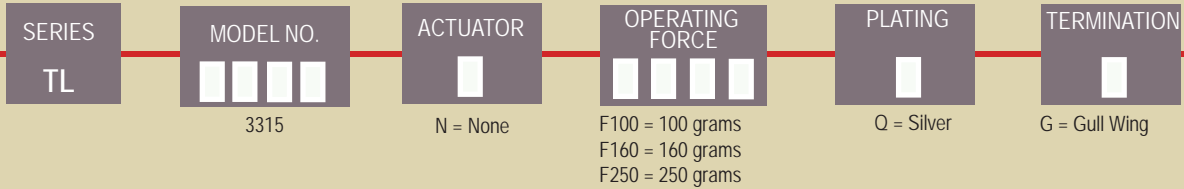
ELECTRICAL SPECIFICATIONS

Electrical Life:	1,000,000 cycles - 100 gf 500,000 cycles - 160 gf 200,000 cycles - 250 gf
Contact Rating:	50mA @ 15VDC
Contact Resistance:	200mΩ (initial max)
Insulation Resistance:	50MΩ (Min @ 100VDC)
Dielectric Strength:	250VAC

ENVIRONMENTAL SPECIFICATIONS

Operating Temperature:	-20°C to +70°C
Storage Temperature:	-25°C to +80°C

HOW TO ORDER:



Looking for pricing, stock, or lifecycle information?

Click below to explore more details on WIN SOURCE:

 [View TL3315NF160Q on WIN SOURCE](#)

 [E-Switch Information](#)

Optimize Your Supply Chain with WIN SOURCE Solutions

-  Global Sourcing Solution
-  Obsolete Management
-  Cost Control Management
-  Shortage Management
-  Alternative Solution
-  Excess Inventory Management