



**THE DATASHEET OF
CLS5D11HPNP-150NC**

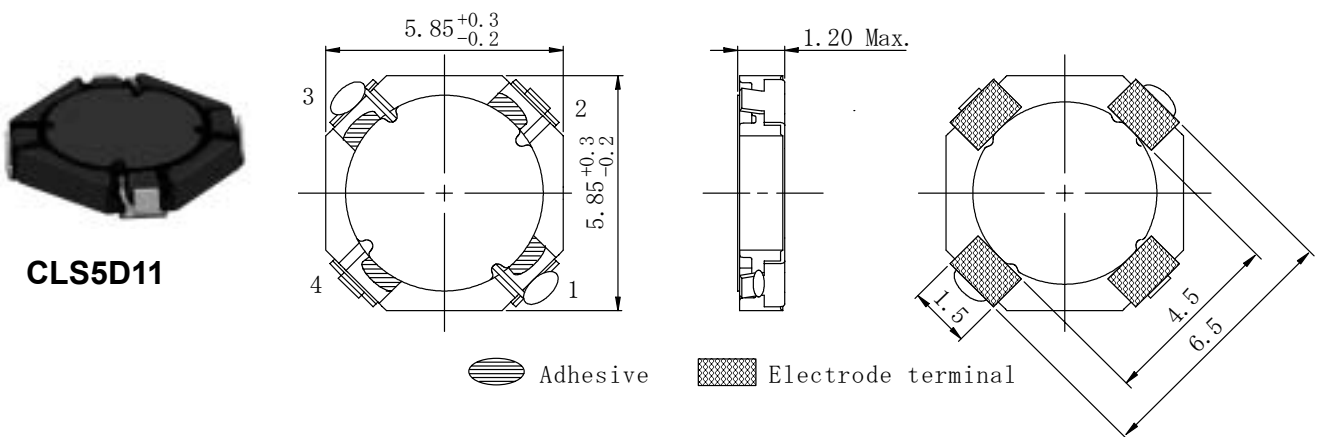
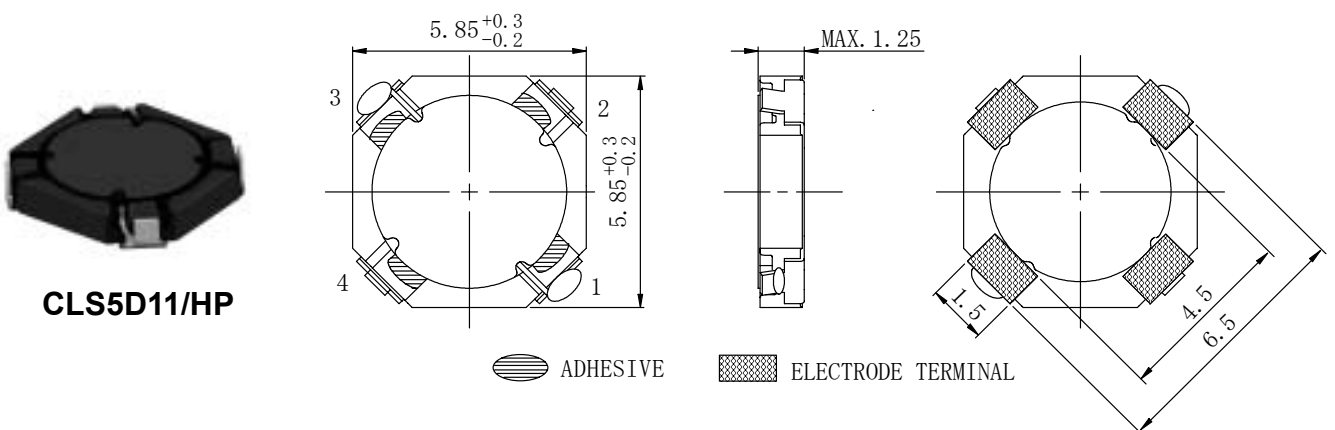


Type: CLS5D11, CLS5D11/HP
◆ Product Description

- 6.15×6.15mm Max.(L×W),1.2mm Max. Height(CLS5D11), 1.25mm Max. Height.(CLS5D11/HP)
- Inductance Range: 4.7~47 μ H(CLS5D11), 2.2~33 μ H(CLS5D11/HP)
- Rated current range: 0.35~1.1A(CLS5D11), 0.33~1.7A(CLS5D11/HP).
- 4 Terminal pins type gives a flexible design as inductors or transformers(SEPIC,ZETA circuit).

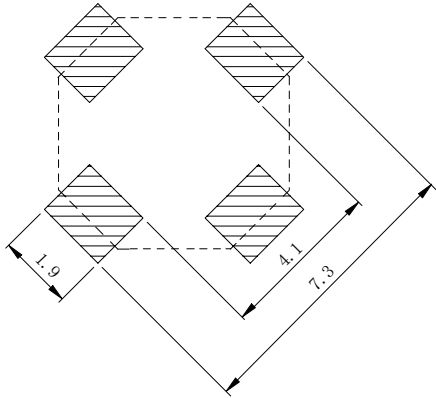
◆ Feature

- Magnetically shielded construction.
- Ideally used in portable devices such as Mobilephone,DSC/DVC,MP3,PDA, etc as DC-DC Converter inductors, specially suitable for White LED drive.
- It is possible to output high voltage and get sufficient accuracy which is hard to obtain with an ordinary inductor.
- RoHS Compliance

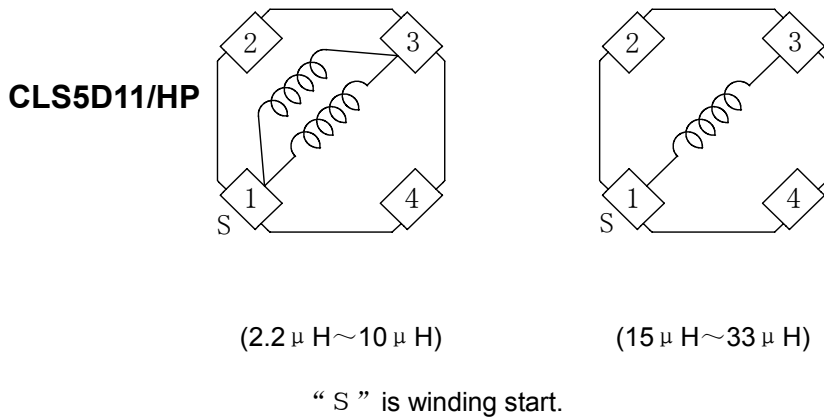
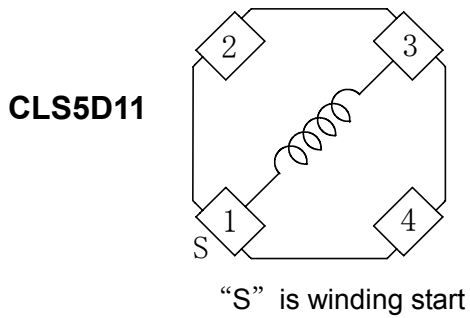
◆ Dimensions (mm)

CLS5D11

CLS5D11/HP

Type: CLS5D11, CLS5D11/HP

◆ Land Pattern (mm)



◆ Schematics(Bottom)



Type: CLS5D11, CLS5D11/HP
◆ Specification(CLS5D11)

Part Name ※	Stamp	Inductance (μ H) [Within] 100kHz/1V	D.C.R.(m Ω) Max.(Typ.) (at 20°C)	Saturation current (mA) (at 20°C)※1	Temperature rise current (mA) ※2
CLS5D11NP-4R7N□	4R7	4.7 \pm 30%	120(95)	1100	1100
CLS5D11NP-6R8N□	6R8	6.8 \pm 30%	160(130)	950	900
CLS5D11NP-10 \emptyset N□	100	10 \pm 30%	210(170)	830	800
CLS5D11NP-15 \emptyset N□	150	15 \pm 30%	310(250)	700	650
CLS5D11NP-22 \emptyset N□	220	22 \pm 30%	450(360)	570	530
CLS5D11NP-33 \emptyset N□	330	33 \pm 30%	620(500)	450	420
CLS5D11NP-470N□	470	47 \pm 30%	930(750)	380	350

◆ Specification(CLS5D11/HP)

Part Name ※	Stamp	Inductance [Within] 100kHz/1V	D.C.R.(m Ω) Max.(Typ.) (at 20°C)	Saturation current (mA) (at 20°C)※1	Temperature rise current (mA) ※2
CLS5D11HPNP-2R2N□	2R2	2.2 μ H \pm 30%	70(55)	2000	1700
CLS5D11HPNP-3R0N□	3R0	3.0 μ H \pm 30%	80(63)	1900	1550
CLS5D11HPNP-4R7N□	4R7	4.7 μ H \pm 30%	120(95)	1500	1100
CLS5D11HPNP-6R8N□	6R8	6.8 μ H \pm 30%	170(135)	1300	950
CLS5D11HPNP-10 \emptyset N□	100	10 μ H \pm 30%	240(190)	1000	750
CLS5D11HPNP-15 \emptyset N□	150	15 μ H \pm 30%	390(310)	850	600
CLS5D11HPNP-22 \emptyset N□	220	22 μ H \pm 30%	560(450)	650	450
CLS5D11HPNP-33 \emptyset N□	330	33 μ H \pm 30%	920(730)	520	330

※ Description of Part Name

CLS5D11HPNP-2R2N□

- B Box
- C Carrier Tape

※1. Saturation current: The DC current at which the inductance decreases to 65% of it's nominal value.

 ※2. Temperature rise current: The DC current at which the temperature rise is $\Delta t=40^{\circ}\text{C}$. ($T_a=20^{\circ}\text{C}$).

Looking for pricing, stock, or lifecycle information?

Click below to explore more details on WIN SOURCE:

- ⊖ [View CLS5D11HPNP-150NC on WIN SOURCE](#)
- ⊖ [Sumida America Components Inc. Information](#)

Optimize Your Supply Chain with WIN SOURCE Solutions

- ✓ Global Sourcing Solution
- ✓ Obsolete Management
- ✓ Cost Control Management
- ✓ Shortage Management
- ✓ Alternative Solution
- ✓ Excess Inventory Management