



**THE DATASHEET OF
A89306GETSR-T**



50 V Ultra-Low Noise FOC Motor Controller

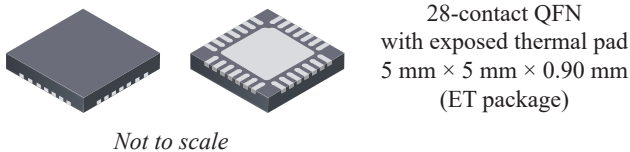
FEATURES AND BENEFITS

- Code-free sensorless field-oriented control (FOC), for driving motors at up to 400 Hz
- Constant speed, constant torque, constant power, or open-loop operating mode
- I²C interface for motor control and status readback
- Universal 32-point speed/power/torque/duty curve
- Ultra-quiet operation
- Proprietary non-reverse fast startup
- Soft-On Soft-Off (SOSO) for quiet operation
- Analog / PWM / Clock mode speed control
- Configurable current limit
- Windmill startup operation (fwd and rev)
- Lock detection
- Short-circuit protection (OCP)
- Brake and direction inputs
- Adjustable gate drive

APPLICATIONS

- Ceiling fans, pedestal fans
- Bathroom exhaust fans
- Air purifier, humidifier, dehumidifier fans
- Home appliance fans and pumps

PACKAGE



DESCRIPTION

The A89306 is a 3-phase sensorless brushless DC (BLDC) motor driver (gate driver) which can operate from 5.5 to 50 V.

A field-oriented control (FOC) algorithm is fully integrated to achieve the best efficiency and acoustic noise performance. Constant torque and constant power modes are provided, as well as constant speed and open-loop operating modes. The device also optimizes the motor startup performance from a stationary condition, a windmill condition, and even from a reverse windmill condition.

Motor output, speed, torque, or power is controlled through analog, PWM, or using I²C. A universal speed/power/torque/duty curve is stored in EEPROM and allows for flexible control schemes. An optional clock mode is available for closed-loop speed control, with a programmable clock frequency to rpm ratio.

A simple I²C interface is provided for setting motor-rated voltage, rated current, rated speed, resistance, and startup profiles. The I²C interface can also be used for on/off control, output control and for speed and status readback.

The A89306 is available in a surface mount 28-contact 5 mm × 5 mm QFN (suffix ET) package. The package has an exposed pad for enhanced thermal dissipation, and lead (Pb) free, with 100% matte-tin leadframe plating.

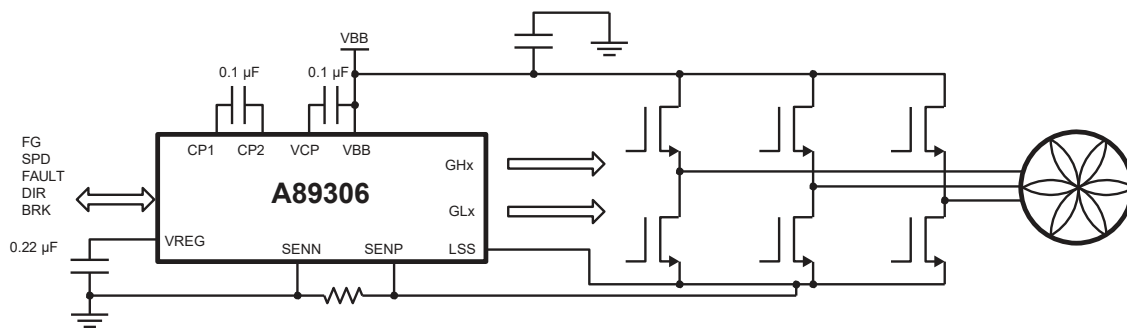


Figure 1: Typical Application

SPECIFICATIONS

SELECTION GUIDE

Part Number	Packaging	Packing
A89306GETSR	28-contact QFN with exposed thermal pad	6000 pieces per 13-inch reel

ABSOLUTE MAXIMUM RATINGS

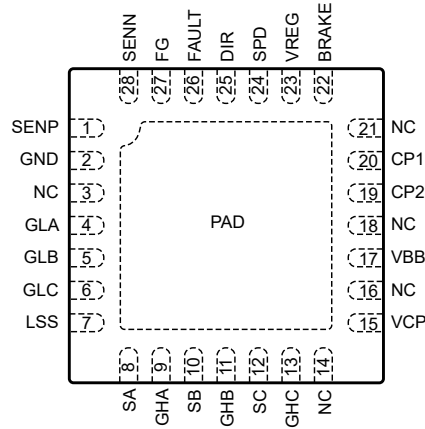
Characteristic	Symbol	Notes	Rating	Unit
Supply Voltage	V_{BB}		50	V
Logic Input Voltage Range	V_{IN}	SPD, BRAKE, DIR	-0.3 to 6	V
Logic Output	V_O	FG, FAULT ($I < 5$ mA)	-0.3 to 6	V
LSS	V_{LSS}	DC	± 500	mV
		$t_W < 500$ ns	± 4	V
VREG	V_{REG}		0 to 4	V
SENN, SENP	V_{SENN}, V_{SENP}	DC	± 500	mV
		$t_W < 500$ ns	± 4	V
Output Voltage	V_{OUT}	SA, SB, SC	-2 to $V_{BB} + 2$	V
		SA, SB, SC, $t_W < 50$ ns	-4 to $V_{BB} + 4$	V
GHx	V_{GHx}		$V_{Sx} - 0.3$ to $V_{CP} + 0.3$	V
GLx	V_{GLx}		$V_{LSS} - 0.3$ to 8.5	V
VCP	V_{CP}		$V_{BB} - 0.3$ to $V_{BB} + 8$	V
CP1	V_{CP1}		-0.3 to $V_{BB} + 0.3$	V
CP2	V_{CP2}		$V_{BB} - 0.3$ to $V_{CP} + 0.3$	V
Maximum EEPROM write cycles	EEPROM _{W(MAX)}		1000	cycles
Junction Temperature	T_J		150	°C
Storage Temperature Range	T_{stg}		-55 to 150	°C
Operating Temperature Range	T_A	Range G	-40 to 105	°C

THERMAL CHARACTERISTICS

Characteristic	Symbol	Test Conditions*	Value	Unit
Package Thermal Resistance	$R_{\theta JA}$	28-contact QFN (package ET), on 2-sided PCB 1-in. ² copper	40	°C/W

*Additional thermal information available on the Allegro website.

PINOUT DIAGRAM AND TERMINAL LIST TABLE

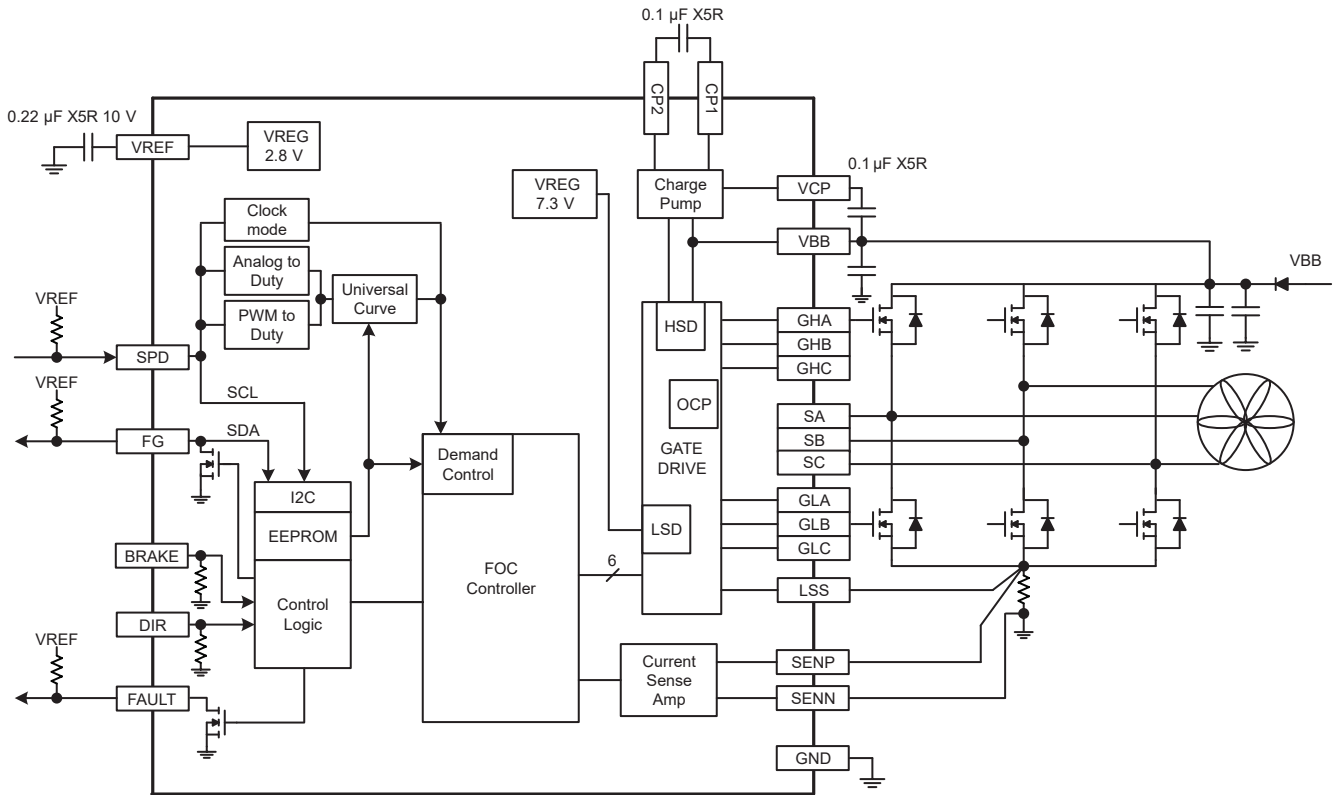


ET Package Pinouts

Terminal List Table

Number	Name	Function
19	CP2	Charge pump
20	CP1	Charge pump
22	BRAKE	Logic input
23	VREG	2.8 V regulator voltage
24	SPD	PWM or clock mode speed control
25	DIR	Direction control
26	FAULT	Fault indicator output
27	FG	Motor speed output
28	SENN	Current sense negative terminal
1	SENP	Current sense positive terminal
2	GND	Ground
4	GLA	Low-side gate drive output
5	GLB	Low-side gate drive output
6	GLC	Low-side gate drive output
7	LSS	Low-side source
8	SA	Motor output
9	GHA	High-side gate drive output
10	SB	Motor output
11	GHB	High-side gate drive output
12	SC	Motor output
13	GHC	High-side gate drive output
3, 14, 16, 18, 21	NC	No connect
15	VCP	Charge pump
17	VBB	Power supply
PAD	PAD	Exposed pad for enhanced thermal dissipation

FUNCTIONAL BLOCK DIAGRAM



ELECTRICAL CHARACTERISTICS: Valid over operating ambient temperature range and voltage range, unless noted otherwise

Characteristics	Symbol	Test Conditions	Min.	Typ.	Max.	Unit
GENERAL						
Supply Voltage Range	V_{BB}	Driving	5.5	–	48	V
		Operating	5.5	–	50	V
VBB Supply Current	I_{BB}	$I_{VREG} = 0$ mA	–	8	12	mA
		Standby mode	–	10	20	μ A
Reference Voltage	V_{REG}	$I_{OUT} = 10$ mA	2.70	2.86	2.95	V
GATE DRIVE						
High-Side Gate Drive Output	V_{GH}	$V_{BB} = 8$ V	6.5	6.8	–	V
		$V_{BB} = 24$ V	6.5	6.8	–	V
Low-Side Gate Drive Output	V_{GL}	$V_{BB} = 8$ V	6.5	7.3	–	V
		$V_{BB} = 24$ V	6.5	7.3	–	V
Gate Drive Source Current	I_{SO}	$V_{BB} = 8$ V; level 0	–	15	–	mA
		$V_{BB} = 8$ V; level 1	–	30	–	mA
		$V_{BB} = 8$ V; level 2	–	55	–	mA
Gate Drive Sink Current	I_{SI}	$V_{BB} = 8$ V; level 0	–	30	–	mA
		$V_{BB} = 8$ V; level 1	–	60	–	mA
		$V_{BB} = 8$ V; level 2	–	105	–	mA
VDS SENSING FOR OCP						
VDS Comparator Threshold	V_{DS_THR}	Level 0	–	1	–	V
		Level 1	–	2	–	V
MOTOR DRIVE						
PWM Duty On Threshold	PWM_{ON}	Relative to target	–0.5	–	+0.5	%
PWM Duty Off Threshold	PWM_{OFF}	Relative to target	–0.5	–	+0.5	%
PWM Input Frequency Range	$f_{PWM(MIN)}$	PWM input frequency setting = 0	2.5	–	100	kHz
		PWM input frequency setting = 1	80	–	3200	Hz
Clock Input Frequency Range	f_{CLOCK}	CLOCK mode	1	–	2000	Hz
SPD Standby Threshold (Analog Enter)	$V_{SPD(TH_ENT)}$		50	100	150	mV
SPD Standby Threshold (Analog Exit)	$V_{SPD(TH_EXIT)}$		0.4	0.75	1.0	V
SPD On Threshold	$V_{SPD(ON)}$	ON/OFF setting = 9.7%	210	250	290	mV
SPD Maximum	$V_{SPD(MAX)}$		–	2.5	–	V
SPD ADC Resolution	$V_{SPDADC(RES)}$		–	9.78	–	mV
SPD ADC Accuracy	$V_{SPDADC(ACC)}$	$V_{SPD} = 0.2$ to 2.5 V	–40	–	40	mV
Closed-Loop Speed Accuracy	$f_{SPD(ACC)}$	PWM mode or Analog mode	–5	–	5	%
		Clock mode	–0.1	–	0.1	rpm
Dead Time	t_{DT}	Code = 9	–	400	–	ns
Motor PWM Frequency	f_{PWM}	$T_A = 25^\circ\text{C}$	23.3	24.4	25.3	kHz

Continued on next page...

ELECTRICAL CHARACTERISTICS (continued): Valid over operating ambient temperature range and voltage range, unless noted otherwise

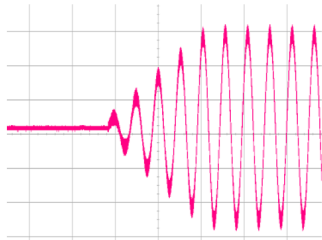
Characteristics	Symbol	Test Conditions	Min.	Typ.	Max.	Unit
PROTECTION						
V _{BB} Undervoltage Threshold	V _{BB(UVLO)}	V _{BB} rising	–	4.75	4.95	V
V _{BB} Undervoltage Hysteresis	V _{BB(HYS)}		200	300	450	mV
Thermal Shutdown Temperature	T _{JTSD}	Temperature increasing	–	165	–	°C
Thermal Shutdown Hysteresis	ΔT _J	Recovery = T _{JTSD} – ΔT _J	–	20	–	°C
LOGIC, IO, I²C						
Logic Input Current	I _{IN}	SPD, FG; V _{IN} = 0 to 5.5 V	–5	1	5	μA
		BRK, DIR; V _{IN} = 5 V	–	50	–	μA
Logic Input Low Level	V _{IL}		0	–	0.8	V
Logic Input High Level	V _{IH}		2.0	–	5.5	V
Logic Input Hysteresis	V _{HYS}		150	300	600	mV
Logic Output Leakage	I _{LEAK}	FG, FAULT, V = 5.5 V, switch off	–	–	1	μA
Logic Output Saturation Voltage	V _{SAT}	FG, FAULT, I = 5 mA	–	–	0.3	V

[1] Specified limits are tested at 25°C and 125°C and statistically assured over operating temperature range by design and characterization.

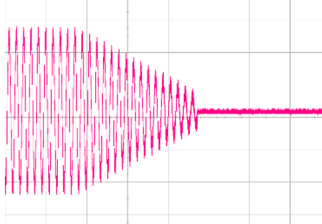
FUNCTIONAL DESCRIPTION

The A89306 is a three-phase BLDC controller with integrated gate driver. It operates from 5.5 to 50V, and targets ceiling, pedestal, bathroom exhaust, air purifier, humidifier, and dehumidifier fans, and home appliance fans and pumps.

The integrated FOC control algorithm achieves the best efficiency and dynamic response and minimizes acoustic noise. Allegro's proprietary non-reverse startup algorithm improves the startup performance. The motor will start up towards the target direction after power up without reverse shaking or vibration. Three-phase modulation and deadtime compensation are used to provide the lowest acoustic noise, even at very low speeds. The optional Soft-On and Soft-Off features gradually increase the current to the motor at "on" command during a windmill condition (when the motor is already rotating in the correct direction), and gradually reduces the current from the motor at the "off" command, further reducing the acoustic noise and operating the motor smoothly.



Current Waveform of Soft On



Current Waveform of Soft Off

SPD - Speed, Torque (current), Power Control

Input demand is provided via the SPD terminal. Three SPD control modes are selectable through the EEPROM. The A89306 also features closed-loop speed, closed-loop torque (constant phase current), and closed-loop power functions, which can be enabled or disabled via the EEPROM.

The SPD terminal is also used as SCL for the I²C interface. See the I²C section for details.

PWM Mode: In this mode, the output to the motor is controlled by the PWM duty cycle on the SPD terminal, and higher duty cycle represents higher motor output (unless using the input transformer curve, described later). If open-loop mode is selected, the output voltage amplitude will be proportional to the PWM duty cycle. If closed-loop speed is selected, the motor speed is proportional to the PWM duty cycle, and 100% duty represents the speed set by the `control_loop_range` setting programmed in the EEPROM. Likewise, if closed-loop torque/current is selected, the motor phase current is proportional to the PWM duty cycle, and 100% duty represents the current level set by the `control_loop_range` setting programmed in the EEPROM. And if closed-loop power is selected, the power delivered to the motor is proportional to the PWM duty cycle, and 100% duty represents the power level set by the `control_loop_range` setting programmed in the EEPROM.

$$\frac{\text{closed_loop_speed} / \text{closed_loop_current} / \text{closed_loop_power}}{= \text{control_loop_range} \times \text{duty_input}}$$

The SPD PWM frequency range is 80 Hz to 100 kHz. If the input frequency is higher than 2.8 kHz, `PWMin_range` should be set to 0, and if it is lower than 2.8 kHz, `PWMin_range` should be set to 1.

Analog Mode: In this mode, the motor output is controlled by the analog voltage on the SPD terminal, with higher voltage representing higher output demand. If open-loop mode is selected, the output voltage amplitude will be proportional to the analog voltage input. If closed-loop speed is enabled, the motor output is as follows:

$$\frac{\text{closed_loop_speed} / \text{closed_loop_current} / \text{closed_loop_power}}{= \text{control_loop_range} \times \text{analog_input} / \text{SPD}_{MAX}}$$

CLOCK Mode: When using clock mode, closed-loop speed is always enabled. The default input for clock mode is the SPD terminal, but there are options to use either the DIR or BRAKE terminals instead. Either of these options allows use of the I²C interface and clock mode at the same time. Higher frequency on the clock input will drive a higher motor speed as follows:

$$\text{closed_loop_speed (rpm)} = \text{clock_input} \times \text{speed_ctrl_ratio},$$

where the `speed_ctrl_ratio` is programmed in the EEPROM. For example, if the ratio is 4 and the clock input frequency is 60 Hz, the motor will operate at 240 rpm. Note the number of motor pole-pairs must be set properly in the programming application for the rated speed (rpm) displayed for the setting to be accurate. Note the number of pole-pairs is saved in the programming appli-

ation's setting file but is not stored in the EEPROM. Thus, after reading the settings from a device's EEPROM in the application, verify the pole pairs entry is correct.

If the clock frequency commands a speed that is higher than twice the rated speed, the A89306 treats it as a clock input error and stops the motor.

CLOCK mode can achieve the best closed-loop speed accuracy.

When using any of the closed-loop modes, if the input demand is higher than the maximum speed/current/power, the system can run at the applied supply voltage and load condition, the A89306 will just provide the maximum output voltage (as long as current limit is not triggered), or the maximum output current (if current limit is triggered).

The input demand can also be controlled using the I²C interface. Refer to register table for more details. While in Analog mode, PWM mode, or CLOCK mode, sending an I²C command may cause motor speed change, unexpected startup attempts, or operation failure. Changing from I²C mode to CLOCK (Analog, PWM) mode requires either power cycle or enter and then exit from standby mode.

Motor Stop and Standby Mode: If the speed demand is less than the programmed threshold, the motor will stop.

GUI setting	On threshold	Off threshold
5.8%	7.9%	5.8%
9.7%	11.8%	9.7%
12.8%	15.0%	12.8%
19.5%	21.6%	19.5%

For example, consider 9.7% is set as the threshold. If PWM duty is less than 9.7% (in PWM mode), or the analog voltage is less than 243 mV (in Analog mode), or the CLOCK input frequency is less than 9.7% of the "rated_speed" (in CLOCK mode), the IC will stop the motor and enter the "idle" mode.

In order to enter standby two conditions must be met: the motor must be stationary (this requirement can be removed by a setting in the EEPROM), and the SPD terminal remains logic low (in PWM and CLOCK mode) or the SPD analog voltage remains less than SPDTH_ENT (in Analog mode) for longer than one second. In the case that CLOCK mode is used with a terminal other than SPD (i.e. DIR or BRAKE), the SPD terminal is still used to put the device in standby mode.

A rising edge on the SPD terminal will wake the IC in PWM and CLOCK mode, and in Analog mode, the voltage on the SPD terminal must be higher than SPDTH_EXIT to wake up the IC.

Standby Mode will turn off all circuitry including the charge pump and VREG.

After powering on, the device will always be in the active mode before entering standby mode.

The standby mode can be disabled in the EEPROM.

Direction Input: The DIR terminal is a logic input to control motor direction. For logic high, the motor phases are ordered A→B→C. For logic low, the motor phases are ordered A→C→B. The A89306 supports changing the direction input while the motor is running. The direction can also be controlled through register.

The direction can be controlled via I²C. When the DIR_from_reg bit is set, the direction is controlled by the Direction bit XOR'd with the DIR terminal.

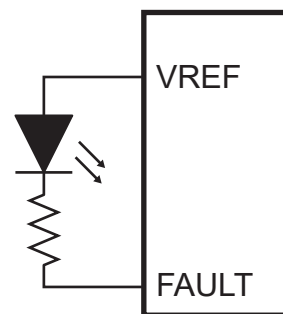
BRAKE: A logic high signal on the BRAKE terminal turns on all low sides for the braking function. The brake function overrides the input control. Typically, when braking, the winding current is limited only by V_{BEMF}/R_{MOTOR} . The A89306 includes an optional safe braking feature which holds off braking until the motor speed drops to a low enough level so that the braking current will not damage the MOSFETs. The safe braking current level is configurable in EEPROM. If this feature is not enabled, care should be taken to avoid stress on the MOSFETs when braking a spinning motor.

The Brake Function prevents the IC from entering standby mode.

Braking can be controlled via I²C. When the BRK_from_reg bit is set, the BRAKE pin is ignored, and the braking function is controlled by the BRK_input bit.

FAULT: The FAULT terminal is an open-drain output which provides motor operation fault status. If used, the terminal must be pulled up externally and is high when there is no fault. The sink current should be limited to 10 mA or less.

An LED and a series resistor can be installed between the FAULT and VREG terminals for a visual indication of fault information.



Fault type	FAULT terminal	LED pattern
Lock detected	low	constant on
OCP	0.67 seconds high 0.67 seconds low	slow flashing
Thermal shutdown	0.67 seconds low 0.17 seconds high 0.08 seconds low 0.17 seconds high 0.08 seconds low 0.17 seconds high	long-short-short flashing
System error	0.08 seconds low 0.08 seconds high 0.08 seconds low 1.09 seconds high	double short flashing
OVP	0.17 seconds high 0.17 seconds low	fast flashing
Input demand below threshold	0.25 seconds high 0.08 seconds low 0.34 seconds high 0.67 seconds low	long-short flashing

System Error: A system error occurs when V_{BB} , the charge pump voltage, or the internal regulator which supplies the low-side gate drivers falls below the respective undervoltage threshold. The motor outputs are disabled upon a system error and will remain off until the voltage that caused the error rises above the respective UVLO threshold plus hysteresis.

OVP: An OVP event occurs when V_{BB} exceeds 47 V typical. OVP is only an indication and the outputs are not disabled. The indication is removed when V_{BB} falls below the threshold.

FG: The FG terminal is an open-drain output which provides motor speed information to the system. The open-drain output can be pulled up to VREG or an external 3.3 or 5 V supply.

The FG terminal is also used as SDA for the I²C interface. The first I²C command can only be written when the FG is high (i.e. the open drain is off). After the first I²C command, the FG terminal is no longer used for speed information output, and the FG terminal is dedicated as an SDA input for the I²C interface.

FG is default high after power on and exit from standby mode, and it remains high for at least 9.8 ms. After the 9.8 ms, the FG output will toggle as the motor spins. To ensure successful I²C communication, it is recommended to issue the first I²C command within 9.8 ms after power up or exiting from standby mode.

The FG function can be disabled in the EEPROM and in that case the FG terminal can be dedicated as the SDA signal for I²C. If observing FG signal is required in I²C mode, the FG output signal can be reassigned to the FAULT terminal by sending the

I²C command 0x00A0 to address 195 (decimal). To return the FAULT terminal to normal operation, send the I²C command 0x0000 to address 195 (decimal).

VREG: The VREG terminal is a voltage reference (2.8 V) to power internal digital logic and analog circuitry. VREG can be used to power external circuitry with up to 10 mA bias current, if desired. A ceramic capacitor with 0.22 μ F or greater is required on the terminal to stabilize the supply (X8R rating or better is recommended).

When VREG is loaded externally, the power consumption of the internal LDO is calculated by the equation:

$$P_{LDO} = (I_{LOAD} + I_{INTERNAL}) \times (V_{BB} - V_{REG})$$

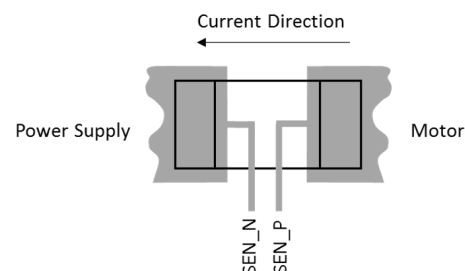
Ensure that the system has sufficient power dissipation and the temperature remains within the operating temperature range. The A89306 thermal shutdown function does not protect the LDO.

Charge pump: The VCP, CP1, and CP2 terminals are used to generate the voltage above V_{BB} to drive the high-side MOSFETs. A ceramic capacitor with 0.1 μ F or greater is required between VCP and VBB and between CP1 and CP2 (X8R rating or better is recommended).

Bus Current Sensing

A single shunt-resistor connecting between SENN and SENP is used to measure the bus current for the FOC algorithm and current limiting. The resistor value is about tens of a milliohm, depending on the rated current of the system. The integrated shunt-resistor amplifier has a gain of 14.5, and its output range is 0 to 1 V. Thus, the voltage difference between SENN and SENP should be less than 65 mV to prevent the signal saturation. For example, if the rated current is 4 A, it is recommended to use a 15 m Ω sensing resistor, so that $4 \text{ A} \times 15 \text{ m}\Omega$ is between 55 and 65 mV.

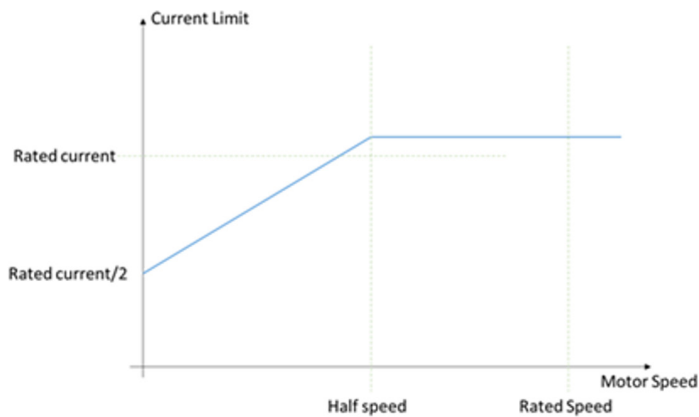
Use Kelvin sensing connections for the shunt resistor.



Lock Detect: A logic circuit monitors the motor position to determine if motor is running as expected. If a fault is detected, the motor drive will be disabled for the configurable t_{LOCK} time,

before an auto-restart is attempted. For additional information, refer to the application note.

Current Control: The motor's rated current at rated speed and normal load must be programmed to the EEPROM for proper operation. The A89306 will limit the motor current (phase current peak value) to 1.125 times the programmed rated current during acceleration or increasing load, which protects the MOSFETs and the motor. A separate current limit for startup is programmed. At startup, the current limit increases linearly between the programmed startup current and 1.125 times the programmed rated current, reaching 1.125 times the programmed rated current when the motor speed reaches one half of the rated speed setting. The following plot shows the current limit for the case when the startup current limit is set to rated current / 2:



Overcurrent Protection (short protection): The VDS voltage across each power MOSFET is monitored by the A89306. When a MOSFET is switched on, its VDS is ignored for the programmable blank time. Also, the VDS is comparator is always filtered with a programmable filter time. If an enabled, MOSFET's VDS is higher than the threshold after the blank time and for longer than the filter time, an OCP fault is triggered and the IC will latch all MOSFETs off.

Input-to-Output Transformer: The A89306 implements an optional, highly flexible input-to-output mapping ability. The configuration is stored in EEPROM addresses 32 through 63. Fundamentally, the transformer is a 9-bit (0 to 511) to 9-bit (0 to 511) transfer function mapping the actual input value to a different value, and the meaning of the output value changes depending on the selected control mode. The transformer operates in whichever of the four control modes is selected: as a speed curve transformer, a current/torque curve transformer, a power curve transformer, or as a demand transformer in open-loop control mode.

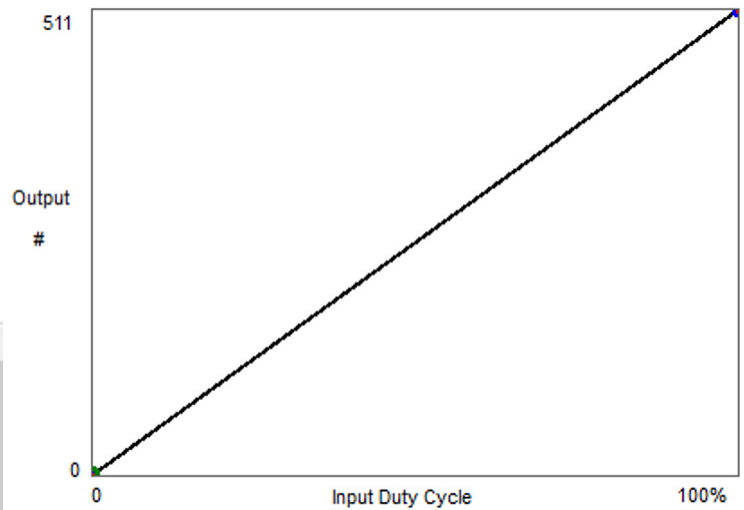
If open-loop mode is selected, the specified output value determines the duty cycle applied to the motor. A value of 511 will cause the peak voltage applied to the motor to be the maximum. If one of the closed-loop modes is selected, the output range is determined by the control_loop_range setting. That setting specifies the maximum speed, torque, or power that the application requires, and corresponds to the value 511. For example, in closed-loop speed mode, if the control_loop_range setting is set to 1000 rpm, then a transformer output value of 255 will result in the motor spinning at 500 rpm.

The curve is defined by corner points. The corner points specify specific input-to-output value pairs, and the remaining points are calculated using linear interpolation between the closest corner points. There must always be corner point entries for the input values 0 and 511, and up to 30 additional corner points can be defined.

The corner points are stored in the EEPROM, one point per address. The 9 MSBs of the EEPROM address are the input demand at the corner point, and the 9 LSBs of the address are the output demand for that point.

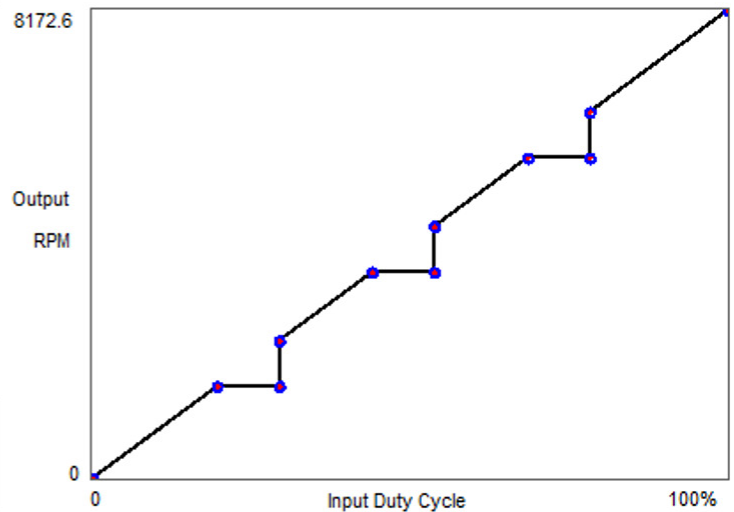
Only as many addresses that are needed to define the desired curve must be programmed. The last point defining the curve must have 511 as the input value, and all the following addresses in the EEPROM will be ignored. As many as 32 corner points can be stored, allowing for precise control of the demand.

	In #	In %	Out #	Out %	#
32	0	0.0%	0	0.0%	0.0
33	511	100.0%	511	100.0%	511.0
34	0	0.0%	0	0.0%	0.0



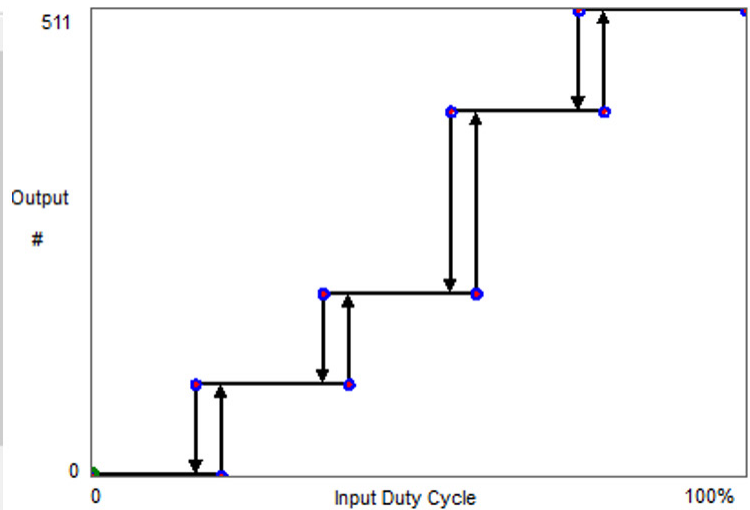
Example 1: These screenshots are taken from the A89306 application—white boxes are the entered values. This is the most trivial example, where input = output. This is the curve that is used when the transformer is disabled. Because 511 is the input value in the second address, the 30 following addresses are ignored.

	In #	In %	Out #	Out %	Speed
32	0	0.0%	0	0.0%	0.0
33	100	19.6%	100	19.6%	1599.3
34	150	29.4%	100	19.6%	1599.3
35	150	29.4%	150	29.4%	2399.0
36	225	44.0%	225	44.0%	3598.5
37	275	53.8%	225	44.0%	3598.5
38	275	53.8%	275	53.8%	4398.2
39	350	68.5%	350	68.5%	5597.7
40	400	78.3%	350	68.5%	5597.7
41	400	78.3%	400	78.3%	6397.3
42	511	100.0%	511	100.0%	8172.6



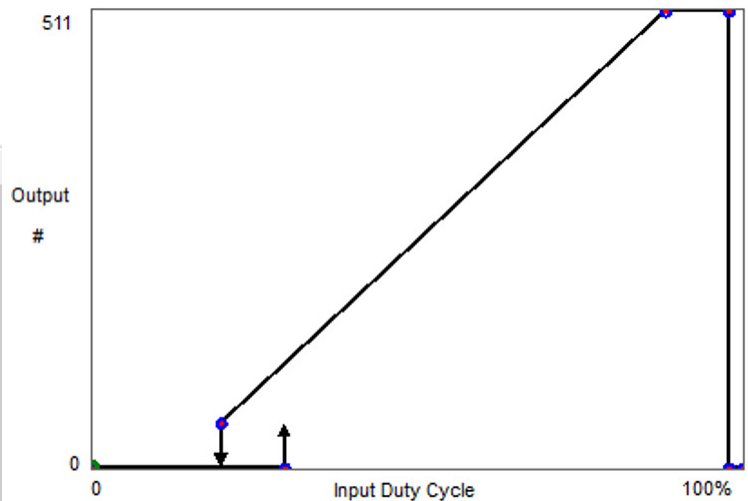
Example 2: In this example, the control loop is set to closed-loop speed, and so the resulting rpm is shown in the last column of the table where the curve is defined. This curve is designed to avoid this motor’s resonant frequency at 2000 rpm, and its harmonics at 4000 rpm and 6000 rpm.

	In #	In %	Out #	Out %	#
32	0	0.0%	0	0.0%	0.0
33	100	19.6%	0	0.0%	0.0
34	80	15.7%	100	19.6%	100.0
35	200	39.1%	100	19.6%	100.0
36	180	35.2%	200	39.1%	200.0
37	300	58.7%	200	39.1%	200.0
38	280	54.8%	400	78.3%	400.0
39	400	78.3%	400	78.3%	400.0
40	380	74.4%	511	100.0%	511.0
41	511	100.0%	511	100.0%	511.0



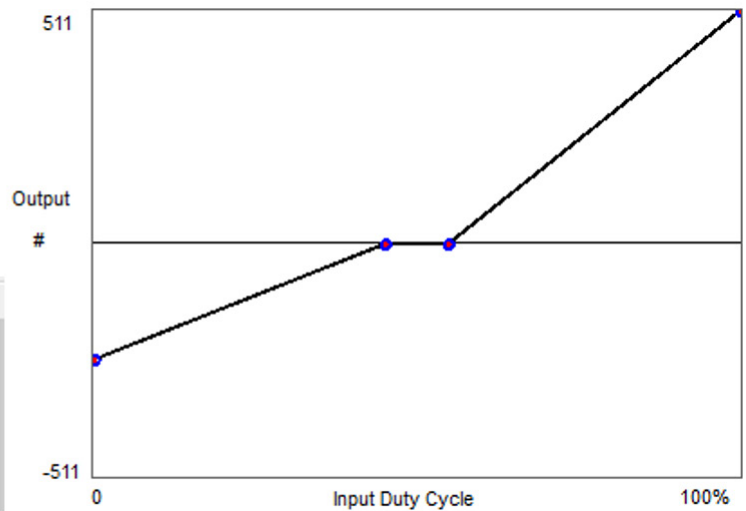
Example 3: Hysteresis can be implemented by setting the input value of an address lower than the input value in the previous address. In this example, as the input demand is rising, the output demand will jump to next higher level at the vertical lines on the right of each transition. When the input demand is falling, the output demand will drop to next lower level following the vertical lines on the left of each transition. This prevents output jitter when the input is around a boundary.

	In #	In %	Out #	Out %	#
32	0	0.0%	0	0.0%	0.0
33	150	29.4%	0	0.0%	0.0
34	100	19.6%	50	9.8%	50.0
35	450	88.1%	511	100.0%	511.0
36	500	97.8%	511	100.0%	511.0
37	500	97.8%	0	0.0%	0.0
38	511	100.0%	0	0.0%	0.0



Example 4: In this example, the motor won't turn on until the input is about 30% and will turn off when the output falls below about 20%. The output will be at maximum when the input is between about 88% to 98%, and the motor will stop when the input is > 98%.

	In #	In %	Out #	Out %	#
32	0	0.0%	128	-49.8%	-254.5
33	230	45.0%	255	0.0%	0.0
34	280	54.8%	255	0.0%	0.0
35	511	100.0%	511	100.0%	511.0



Example 5: The curve can be set to control bi-directional operation as well. When the bi-directional option is selected, the output value 511 is still the highest output in one direction, but the output value 255 will stop the motor, and the output value 0 is the highest output in the reverse direction. Here, the motor will run at half speed reverse when input demand is 0, will stop when the input is between 230 and 280, and will run at full speed forward when the input is 511.

I²C Operation and EEPROM/Register Map

The I²C interface allows the user to write to and read from the internal registers, and to program parameters into the EEPROM (writing to EEPROM is explained later in this document). The A89306 I²C 7-bit slave address, also referred to as the device ID, is fixed at 0x55. The figures below show the I²C interface timing. The I²C interface can operate at up to 400 kHz.

Upon power-up, the data in the EEPROM is loaded into a group of the internal registers (referred to as shadow registers), and those registers control the system operation. The register values can then be overwritten via the I²C port, and this will change the system operation on the fly. Any changes to the shadow registers will be overwritten upon the next power-up. Likewise, any changes made to the EEPROM will have no effect until the next power-up. The one exception to this is the data defining the input transformer curve, which does not have associated shadow registers—the data defining the curve is read directly from EEPROM during operation.

The addresses of the shadow registers are offset from their associated EEPROM addresses by 64. For example, EEPROM address 10 is loaded into shadow register 74 upon power-up. To change a parameter on the fly that is contained in EEPROM address 10, the data must be written to register 74 using the I²C port. There are no shadow registers associated with EEPROM addresses 0 through 7, or with addresses 32 through 63.

The following diagrams illustrate how to read and write to the registers using the I²C port.

Write to a register:

- Start condition
- 7-bit I²C slave address (1010101), R/W Bit = 0 (write)
- Internal register address
- 3 data bytes, MSB first
- Stop condition

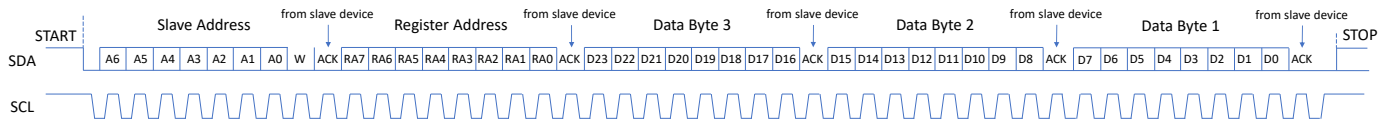
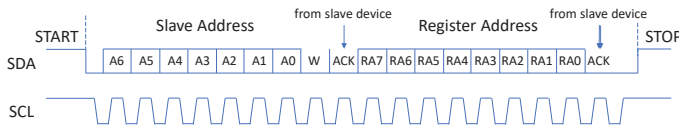


Figure 2: Write to an I²C register

Read from a register: a two-step process:

- Start condition
- 7-bit I²C slave address (1010101), R/W bit = 0 (write)
- Internal register address to be read
- Stop condition



- Start condition
- 7-bit I²C slave address (1010101), R/W Bit = 1 (read)
- Read 3 data bytes
- Stop condition

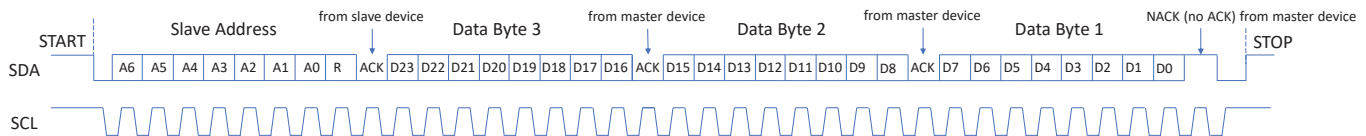


Figure 3: Read from an I²C register

I²C Continuous Read

Note the master sends an ACK after each byte is received. After the 3 bytes of one register address is received, the master typically sends a NACK (no ACK) to indicate the transmission is complete. Alternatively, the master may continue reading from the next address by sending an ACK after the last byte, and the A89306 will begin sending data byte 3 of the next higher register address on the next clock edge. The A89306 will continue sending data from the next higher address until it receives a NACK. This allows for reading data from multiple registers quickly, without needing to write each specific address per the first step of this process. In this mode, the I²C speed must be limited to 100 kHz.

REGISTER AND EEPROM MAP

Each register bit is associated with one EEPROM bit. The register address is the associated EEPROM bit address plus 64. For example, `rated_speed` is in EEPROM address 8, bits[10:0]; the associated register address is 72, bits[10:0].

In the following table, the bits that are not described should be kept at their default values. Changing these values may cause malfunction or damage to the part. If programming the EEPROM with a custom programmer, it is recommended to use the A89306 application to determine the appropriate settings, save the settings file, and use the file contents to program to the EEPROM. The

application's settings file contains one line for each EEPROM address, containing addresses 8 through 63, but skipping address 31 (55 lines/addresses total).

Addresses 0 through 5 and address 31 are factory-locked and cannot be changed. Addresses 6 and 7 are available for the customer to use in any way that is useful, if desired.

Registers not shown in the table are not for users to access. Changing the value in undocumented registers may cause malfunction or damage to the part.

EEPROM address 0, Shadow register address 64

Bits	Name	Description
15:0	info_val0	Allegro internal use (locked). No shadow register associated.

EEPROM address 1, Shadow register address 65

Bits	Name	Description
15:0	info_val1	Allegro internal use (locked). No shadow register associated.

EEPROM address 2, Shadow register address 66

Bits	Name	Description
15:0	info_val2	Allegro internal use (locked). No shadow register associated.

EEPROM address 3, Shadow register address 67

Bits	Name	Description
15:0	info_val3	Allegro internal use (locked). No shadow register associated.

EEPROM address 4, Shadow register address 68

Bits	Name	Description
15:0	info_val4	Allegro internal use (locked). No shadow register associated.

EEPROM address 5, Shadow register address 69

Bits	Name	Description
15:0	info_val5	Allegro internal use (locked). No shadow register associated.

EEPROM address 6, Shadow register address 70

Bits	Name	Description
15:0	info_val6	Available to customer for general use. No shadow register associated.

EEPROM address 7, Shadow register address 71

Bits	Name	Description
15:0	info_val7	Available to customer for general use. No shadow register associated.

EEPROM address 8, Shadow register address 72

Bits	Name	Description
15:15	PWMin_range	Input PWM frequency range selection 0: > 2.8 kHz 1: ≤ 2.8 kHz
14:14	Direction	Direction of motor rotation 0: A→C→B 1: A→B→C
13:13	Accelerate_range	Acceleration range used for Startup Acceleration setting (Hz/s) 0: 0 to 816 1: 0 to 12.75
12:11	Digital_Speed_Mode	SPD digital input mode 0: PWM mode 1: Clock mode (using SPD input) 2: Clock mode (using DIR input) 3: Clock mode (using BRAKE input)
10:0	Rated_speed	This is the max speed used in the application. In clock mode, this sets the max frequency, when PMW = 100% Rated Speed (Hz) = Rated_speed_register_value × 0.530

EEPROM address 9, Shadow register address 73

Bits	Name	Description
7:0	Startup Acceleration	Specifies the motor acceleration rate at startup. This setting's range is selected with the Accelerate_range setting, (Hz/s).

EEPROM address 10, Shadow register address 74

Bits	Name	Description
15:13	Startup_current	Initial startup current limit (scale factor relative to Rated Current). 1 through 7: Startup Current = Rated Current × 1/8 × (value + 1). Do not set to 0.
11:11	SPD_mode	SPD input mode. 0: Digital (PWM or Clock mode). 1: Analog.
10:0	Rated_Current	This is the motor current when running at the Rated_speed setting. Rated Current (mA) = Rated_current_register_value / (Sense_resistor_register_value / 125).

EEPROM address 11, Shadow register address 75

Bits	Name	Description
11:10	Startup_mode	00: 6-pulse mode 01: 2-pulse mode 10: Slight-move mode 11: Align & go
7:7	Power_Ctr_En	Power control enable 0: Disable the current limit and accelerate and decelerate buffers 1: Enable the current limit and accelerate and decelerate buffers
4:4	open_ph_protect	0: Disable the open phase protection function 1: Enable the open phase protection function
3:3	Open_Drive	Open-drive debug control 0: Normal operation 1: Motor will be driven in open loop, Rated speed is then the target speed.

EEPROM address 12, Shadow register address 76

Bits	Name	Description
16:16	Open_Window	Opens a window for inductance tuning – see application note 0: Normal operation 1: Window opened
4:0	PID_P	Position observer PI loop proportional constant

EEPROM address 13, Shadow register address 77

Bits	Name	Description
14:14	delay_start	Delay startup (for startup modes other than Align & go) 0: V _{BB} must be stable within 25 ms after applying start signal 1: V _{BB} must be stable within 100 ms after applying start signal

EEPROM address 14, Shadow register address 78

Bits	Name	Description
4:4	FG_pin_dis	0: FG terminal operates as FG (until 1st successful I ² C write) 1: FG terminal disabled as FG, for I ² C-only applications

EEPROM address 15, Shadow register address 79

Bits	Name	Description
16:14	Safe_Brake_thrd	Current below which to allow braking, relative to rated current 000: 1 × rated_current 001: 1/2 × rated_current 010: 1/4 × rated_current 011: 1/8 × rated_current 100: 1/16 × rated_current 101: 1/32 × rated_current 110: 1/64 × rated_current 111: 1/128 × rated_current
11:8	Deadtime_setting	Deadtime selection 0: 640 ns 1 through 15: (value + 1) × 40 ns
7:7	soft_on	0: Disabled 1: Gradually increases the current at startup during a windmilling startup
6:6	soft_off	0: Disabled 1: Gradually reduces the current at motor stop
3:2	Angle_Error_Lock	Lock detect during startup. 00: disabled 01: 5 degrees 10: 9 degrees 11: 13 degrees

EEPROM address 16, Shadow register address 80

Bits	Name	Description
13:12	BEMF_Lock_filter	Determines the filter time for the BEMF lock detection 00: Lock detection disabled 01: Robust 10: Medium 11: Sensitive
11:10	Declarate_buffer	Determines how quickly the output command can slew 00: No buffer 01: Fast buffer 10: Medium buffer 11: Slow buffer
9:8	Accelerate_buffer	Determines how quickly the output command can slew 00: No buffer 01: Fast buffer 10: Medium buffer 11: Slow buffer
7:6	First_cycle_speed	Determines the align duration for Align & go startup mode 00: 0.55 Hz (1.81 seconds) 01: 1.1 Hz (0.91 seconds) 10: 2.2 Hz (0.45 seconds) 11: 4.4 Hz (0.23 seconds)
5:4	OCP_Masking	OCP comparators mask/blank time. Mask/blank occurs at output on/off transition 00: No masking 01: 320 ns mask 10: 640 ns mask 11: 1280 ns mask
3:3	OCP_reset_mode	Determines when to restart motor after OCP is tripped 0: Upon motor restart 1: After 5 seconds
2:0	OCP_Enable	OCP filter time and HS/LS OCP enabling. If an overcurrent condition exists at the time the OCP mask expires, the OCP filter time must pass before an OCP fault is triggered. 000: No Filter, HS/LS OCP Enabled 001: 120 ns, HS/LS OCP Enabled 010: 240 ns, HS/LS OCP Enabled 011: 360 ns, HS/LS OCP Enabled 100: 480 ns, HS/LS OCP Enabled 101: 480 ns, LS OCP Enabled, HS OCP Disabled 110: 480 ns, LS OCP Disabled, HS OCP Enabled 111: 480 ns, HS/LS OCP Disabled

EEPROM address 17, Shadow register address 81

Bits	Name	Description
9:9	i2c_speed_mode	Input command via I ² C enable 0: IC terminals are used for user input command, according to settings 1: Speed_demand setting in this register is used for user input command
8:0	Speed_demand	Speed demand input, when i2c_speed_mode is enabled 0→511 represents 0→100%

EEPROM address 18, Shadow register address 82

Bits	Name	Description
15:14	drive_gate_slew	Gate driver current control. Refer to the Electronics Characterization table.
13:8	IPD_Current_Thr	IPD current threshold (A) = IPD_current_thr_value × 0.086

EEPROM address 19, Shadow register address 83

Bits	Name	Description
15:12	mosfet_comp_falling	MOSFET CISS compensation, current falling. Refer to the application note.
11:8	mosfet_comp_rising	MOSFET CISS compensation, current rising. Refer to the application note.

EEPROM address 20, Shadow register address 84

Bits	Name	Description
15:8	Sense_Resistor	Sense resistor value (mΩ) = sense_resistor_value / 3.7
7:0	Rated_Voltage	Motor rated voltage (V) = Rated_voltage_register_value / 5

EEPROM address 21, Shadow register address 85

Bits	Name	Description
15:15	standby_dis	Standby mode disable 0: Normal standby operation 1: Standby mode disabled
9:8	speed_input_off_threshold	Input threshold below which the motor is turned off. If the input transformer curve is enabled, this is applied after (to the output of) the transformer curve. 00: 9.7 % 01: 5.8 % 10: 12.8 % 11: 19.5 %
7:5	slight_mv_demand	Amplitude demand used for slight move startup mode (%) = value × 3.2 + 2.4

EEPROM address 22, Shadow register address 86

Bits	Name	Description
15:15	vds_threshold_sel	Short-circuit protection VDS threshold 0: 1 V 1: 2 V
12:12	Deadtime_comp	Deadtime compensation enable 0: Disabled 1: Enabled
11:11	Lock_restart_set	How long to wait before restart after lock detect is triggered 0: 5 seconds 1: 10 seconds
10:10	vibration_lock	Vibration lock detect 0: Disabled 1: Enabled
9:9	Soft_off_4s	Soft-off duration 0: 1 second 1: 4 seconds
8:8	Brake_mode	Brake mode 0: Brake when safe, according to the Safe_brake_thrd setting 1: Always brake, 100% uncontrolled
7:6	Restart_attempt	When to restart after lock detect is triggered 00: Always 01: 3 times 10: 5 times 11: 10 times
5:0	clock_speed_ratio	The ratio between input frequency and rpm, used during clock mode. (rpm/Hz) = clock_speed_ratio_value × 0.25. The maximum clock_speed_ratio value is 41; higher values will cause errors.

EEPROM address 23, Shadow register address 87

Bits	Name	Description
17:17	check_curve	Input transformer curve enable 0: Input curve disabled 1: Input curve enabled
16:16	speed_cur_bidir	Input transformer curve single or bi-directional mode 0: Input curve operates in a unidirectional mode and the direction is set by the device terminal or via I ² C register 1: Input curve operates in a bidirectional mode where the value 0 is the fastest reverse direction, 511 is the fastest forward direction, and 255 will stop the motor
12:11	operation_mode	Control loop mode 00: Open loop operation, output voltage magnitude set by input demand 01: Constant torque operation, torque range is set by parameterFull (eeprom_23[10:0]) × demand (as ratio) 10: Constant speed operation, speed range is set by parameterFull (eeprom_23[10:0]) × demand (as ratio) 11: Constant power operation, power range is set by parameterFull (eeprom_23[10:0]) × demand (as ratio)
10:0	parameterFull	Used in constant speed/torque/power control loops to set the maximum control setpoint. This value is the setpoint when the input demand is 100%.

EEPROM address 24, Shadow register address 88

Bits	Name	Description
7:0	motor_resistor	Motor phase terminal to center-tap resistance (phase-phase resistance / 2).

EEPROM address 25, Shadow register address 89

Bits	Name	Description
15:15	BRK_input	I ² C brake mode input when BRK_from_reg = 1 0: Normal running 1: Brake mode applied
14:14	BRK_from_reg	Motor brake mode control option 0: Brake is controlled via the device terminal 1: Brake is controlled via the I ² C brake register
13:13	DIR_from_reg	Motor direction control option 0: Direction is controlled via the device terminal 1: Direction is controlled via the I ² C direction register
10:8	inductance_shift	Motor inductance multiplier – the inductance setting is multiplied by 2 ^ inductance_shift
7:0	inductance	Motor inductance, set along with the Inducatnce_shift setting – this value is multiplied by 2 ^ inductance_shift

EEPROM address 26, Shadow register address 90

Bits	Name	Description
8:0	Kt_set	Motor Kt constant

EEPROM address 28, Shadow register address 92

Bits	Name	Description
17:15	current_loop_l	Current PI loop integration constant
14:10	power_loop_p	Power PI loop proportional constant
9:5	speed_loop_p	Speed PI loop proportional constant
4:0	current_loop_p	Current PI loop proportional constant

EEPROM address 29, Shadow register address 93

Bits	Name	Description
5:3	power_loop_l	Power PI loop integration constant
2:0	speed_loop_l	Speed PI loop integration constant

EEPROM address 31, Shadow register address 95

Bits	Name	Description
15:0	Output_array_trim	Allegro-determined trim values (locked)

EEPROM addresses 32-63 (No shadow registers associated)

Bits	Name	Description
17:9	x_interpolation_point	Corner point input value for the input transformer curve. No shadow register associated.
8:0	y_interpolation_point	Corner point output value for the input transformer curve. No shadow register associated.

Note: Refer to application note and user interface for additional detail.

PROGRAMMING THE EEPROM

The A89306 contains 64 words of EEPROM, and each word is 24 bits long. The 6 most significant bits of each word are used internally for error detection and correction (ECC), and the 18 least significant bits are used to store data. The handling of the ECC data is done automatically by the IC, and the user does not need to (and cannot) read or write the ECC data.

The EEPROM is programmed using the I²C interface. Before accessing the EEPROM, access must be enabled by writing the value 0x000001 I²C register address 196. When done accessing the EEPROM, revert to normal operation by writing the value 0x000000 to I²C register address 196. There are three basic actions which can be performed on the EEPROM: read, erase, and write. Erasing a single address in the EEPROM

requires 4 writes to the I²C port, and writing to a single address in the EEPROM require 3 writes to the I²C port. These registers, addresses 161, 162, and 163, are described below and the sequence for writing to these registers is described on the following page. Reading a single address from the EEPROM requires only 1 read from the I²C port. Each EEPROM address is mapped the corresponding I²C address. To read EEPROM address 8, for example, simply read I²C register address 8.

Each EEPROM address must be programmed individually. To change the contents of an EEPROM address, the word must first be erased before the new data is written. Programming each address requires about 45 ms (30 ms for erase and 15 ms for write).

EEPROM Control – Register 161: Used to control programming of EEPROM

Bit	23	22	21	20	19	18	17	16	15	14	13	12	11	10	9	8	7	6	5	4	3	2	1	0	
Name	0	0	0	0	0	0	0	0	0	0	0	0	0	0	0	0	0	0	0	0	0	RD	WR	ER	EN

Bit	Name	Description
0	EN	Generate the high-voltage pulse required for writing or erasing. This bit self-clears when done, after 15 ms maximum.
1	ER	Set this bit high when erasing data to the EEPROM.
2	WR	Set this bit high when writing data to the EEPROM.
3	RD	This bit is for reading data, but is not required for the method described in this datasheet to read the EEPROM.
23:4	n/a	Do not use; always set to zero (0) during programming process.

EEPROM Address – Register 162: Used to set the EEPROM address to be altered

Bit	23	22	21	20	19	18	17	16	15	14	13	12	11	10	9	8	7	6	5	4	3	2	1	0
Name	0	0	0	0	0	0	0	0	0	0	0	0	0	0	0	0	0	0	eeADDRESS					

Bit	Name	Description
5:0	eeADDRESS	Used to specify the EEPROM address to be erased or written. There are 64 addresses.
23:6	n/a	Do not use; always set to zero (0) during programming process.

EEPROM Data_In – Register 163: Used to set the new EEPROM data to be programmed

Bit	23	22	21	20	19	18	17	16	15	14	13	12	11	10	9	8	7	6	5	4	3	2	1	0
Name	0	0	0	0	0	0	eeDATAin																	

Bit	Name	Description
17:0	eeDATAin	Used to specify the new EEPROM data. This must be set to 0 when erasing the current contents.
23:18	n/a	Do not use; always set to zero (0) during programming process.

Programming the EEPROM Examples

The example below is shown in the following format:

```
I2C Write/Read, I2C_register_address [data] // comment
```

*Before accessing the EEPROM, the value 0x000001 must be written to I²C address 196.

Example #1: Write 261 (0x000105) to EEPROM address 7

1. Erase the existing data:

- A. I²C Write, 162 [7] // set which EEPROM address to erase.
- B. I²C Write, 163 [0] // set Data_In = 0x000000.
- C. I²C Write, 161 [3] // set control to erase and set voltage high.
- D. Wait 15 ms // requires 15 ms high-voltage pulse to erase.
- E. I²C Write, 161 [3] // set control to erase and set voltage high.
- F. Wait 15 ms // requires 15 ms high-voltage pulse to erase.

2. Write the new data:

- A. I²C Write, 162 [7] // set which EEPROM address to write.
- B. I²C Write, 163 [261] // set Data_In = 261 (0x000105).
- C. I²C Write, 161 [5] // set control to write and set voltage high.
- D. Wait 15 ms // requires 15 ms high-voltage pulse to write.

Example #2: Read EEPROM address 7 to confirm the data was properly programmed

1. Read the word:

- A. I²C Read, 7 // read I²C register 7; this will be contents of EEPROM address 7.

*When done accessing the EEPROM, write the value 0x000000 to I²C address 196.

TERMINAL DIAGRAMS

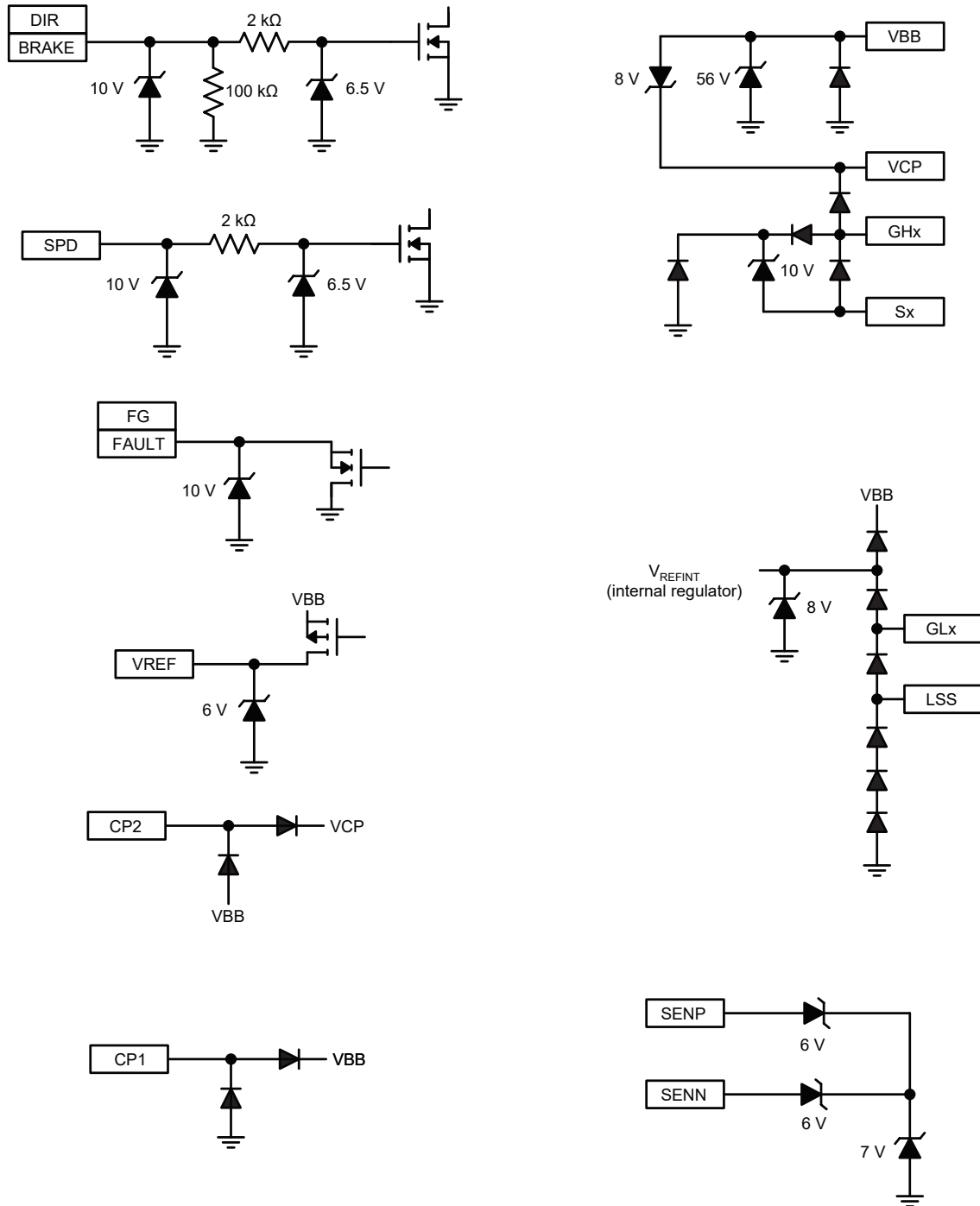
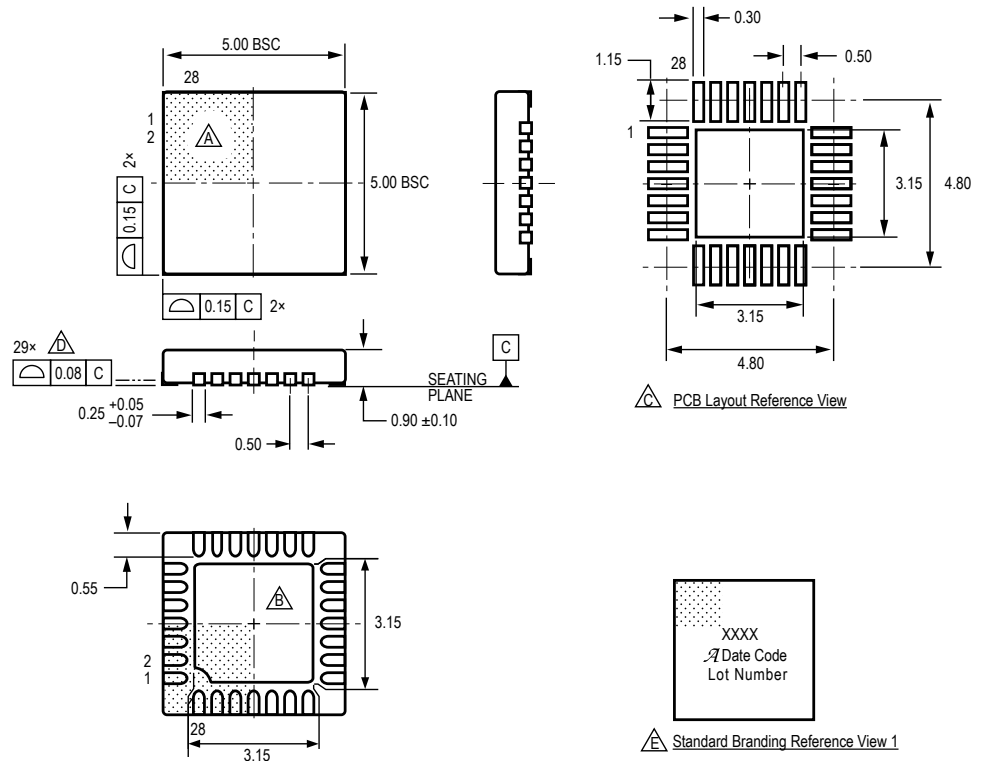


Figure 4: Terminal Diagrams

PACKAGE OUTLINE DRAWING



For Reference Only; not for tooling use
 (reference DWG-0000378, Rev. 3)
 Dimensions in millimeters
 Exact case and lead configuration at supplier discretion within limits shown

- △ Terminal #1 mark area
- △ Exposed thermal pad (reference only, terminal #1 identifier appearance at supplier discretion)
- △ Reference land pattern layout (reference IPC7351 QFN50P500X500X100-29V1M); All pads a minimum of 0.20 mm from all adjacent pads; adjust as necessary to meet application process requirements and PCB layout tolerances; when mounting on a multilayer PCB, thermal vias at the exposed thermal pad land can improve thermal dissipation (reference EIA/JEDEC Standard JESD51-5)
- △ Coplanarity includes exposed thermal pad and terminals
- △ Branding scale and appearance at supplier discretion

Figure 5: Package ET, 28-Contact QFN with Exposed Pad

Revision History

Number	Date	Description
–	March 19, 2020	Initial release
1	March 17, 2022	Updated package drawing (page 25)

Copyright 2020, Allegro MicroSystems.

Allegro MicroSystems reserves the right to make, from time to time, such departures from the detail specifications as may be required to permit improvements in the performance, reliability, or manufacturability of its products. Before placing an order, the user is cautioned to verify that the information being relied upon is current.

Allegro's products are not to be used in any devices or systems, including but not limited to life support devices or systems, in which a failure of Allegro's product can reasonably be expected to cause bodily harm.

The information included herein is believed to be accurate and reliable. However, Allegro MicroSystems assumes no responsibility for its use; nor for any infringement of patents or other rights of third parties which may result from its use.

Copies of this document are considered uncontrolled documents.

For the latest version of this document, visit our website:

www.allegromicro.com

Looking for pricing, stock, or lifecycle information?

Click below to explore more details on WIN SOURCE:

 [View A89306GETSR-T on WIN SOURCE](#)

 [Allegro MicroSystems, LLC](#) Information

Optimize Your Supply Chain with WIN SOURCE Solutions

-  Global Sourcing Solution
-  Obsolete Management
-  Cost Control Management
-  Shortage Management
-  Alternative Solution
-  Excess Inventory Management