



**THE DATASHEET OF
TEA19363T/1J**





TEA19363T

GreenChip SMPS primary side control IC with QR/DCM operation and X-capacitor discharge

Rev. 1 — 20 October 2016

Product data sheet

1 General description

The TEA19363T is a member of the GreenChip family of controller ICs for switched mode power supplies. It is intended for flyback topologies to be used either standalone or together with USB PD or smart charging controllers (like the TEA190x series) at the secondary side. The built-in green functions provide high efficiency at all power levels.

The TEA19363T is compatible with multiple output voltage applications with a wide output range from 5 V to 20 V in Constant Voltage (CV) mode. When used with a secondary-side controller IC, like the TEA190x series, it supports Constant Current (CC) mode down to 3 V output voltage.

To support computing applications that typically have an X-capacitor with a higher value than 100 nF, the TEA19363T incorporates an active X-capacitor discharge function.

At high power levels, the flyback converter operates in Quasi-Resonant (QR) mode. At lower power levels, the controller switches to Frequency Reduction (FR) in Discontinuous Conduction Mode (DCM) operation. The peak current is limited to a minimum level. Valley switching is used in all operating modes.

At very low power levels, the controller uses burst mode to regulate the output power. A special optocoupler current reduction regulation has been integrated which reduces the average optocoupler current in all modes to a minimum level. This reduction ensures high efficiency at low power and excellent no-load power performance. As the switching frequency in this mode is never less than $f_{sw(min)}$ and the burst repetition rate is regulated to a low value, the audible noise is minimized. During the non-switching phase of the burst mode, the internal IC supply current is minimized for further efficiency optimization.

The TEA19363T includes a wide set of protections that are safe restart protections. If the output is shorted, the system stops switching and restarts. The output power is then limited to a lower level. If the output is shorted, the system stops switching and restarts. The output power is then limited to a lower level.

The TEA19363T is manufactured in a high-voltage Silicon-On-Insulator (SOI) process. The SOI process combines the advantages of a low-voltage process (accuracy, high-speed protection, functions, and control). However, it also maintains the high-voltage capabilities (high-voltage start-up, low standby power, and brownin/brownout sensing at the input).

The TEA19363T enables low-cost, highly efficient and reliable supplies for power requirements up to 75 W using a minimum number of external components.



2 Features and benefits

2.1 General features

- SMPS controller IC supporting smart-charging applications and multiple-output-voltage applications
- Wide output range (5 V to 20 V in CV mode, 3 V to 20 V in CC mode, and 3 V to 6 V in direct charging mode)
- Housed in a small SO10 package
- Adaptive dual supply for highest efficiency over the entire output voltage range
- Integrated high-voltage start-up and X-capacitor discharge
- Continuous V_{CC} regulation during start-up and protection via the HV pin, allowing a minimum VCC capacitor value
- Reduced optocurrent enabling low no-load power (20 mW at 5 V output)
- Fast transient response from 0 to full load
- Minimal audible noise and output voltage ripple in all operating modes
- Integrated soft start

2.2 Green features

Enables high efficiency operation over a wide power range via:

- Low supply current during normal operation (0.6 mA without load)
- Low supply current during non-switching state in burst mode (0.2 mA)
- Valley switching for minimum switching losses
- Frequency reduction with fixed minimum peak current to maintain high efficiency at low output power levels

2.3 Protection features

All protections are safe restart protections.

- Mains voltage compensated OverPower Protection (OPP)
- OverTemperature Protection (OTP)
- Integrated overpower timeout
- Integrated restart timer for system fault conditions
- Continuous mode protection using demagnetization detection
- Accurate OverVoltage Protection (OVP)
- General-purpose input for safe restart protection; for use with system OverTemperature Protection (OTP)
- Driver maximum on-time protection
- Brownin and brownout protection

3 Applications

- Applications requiring efficient and cost-effective power supply solutions up to 75 W without touchscreen

4 Ordering information

Table 1. Ordering information

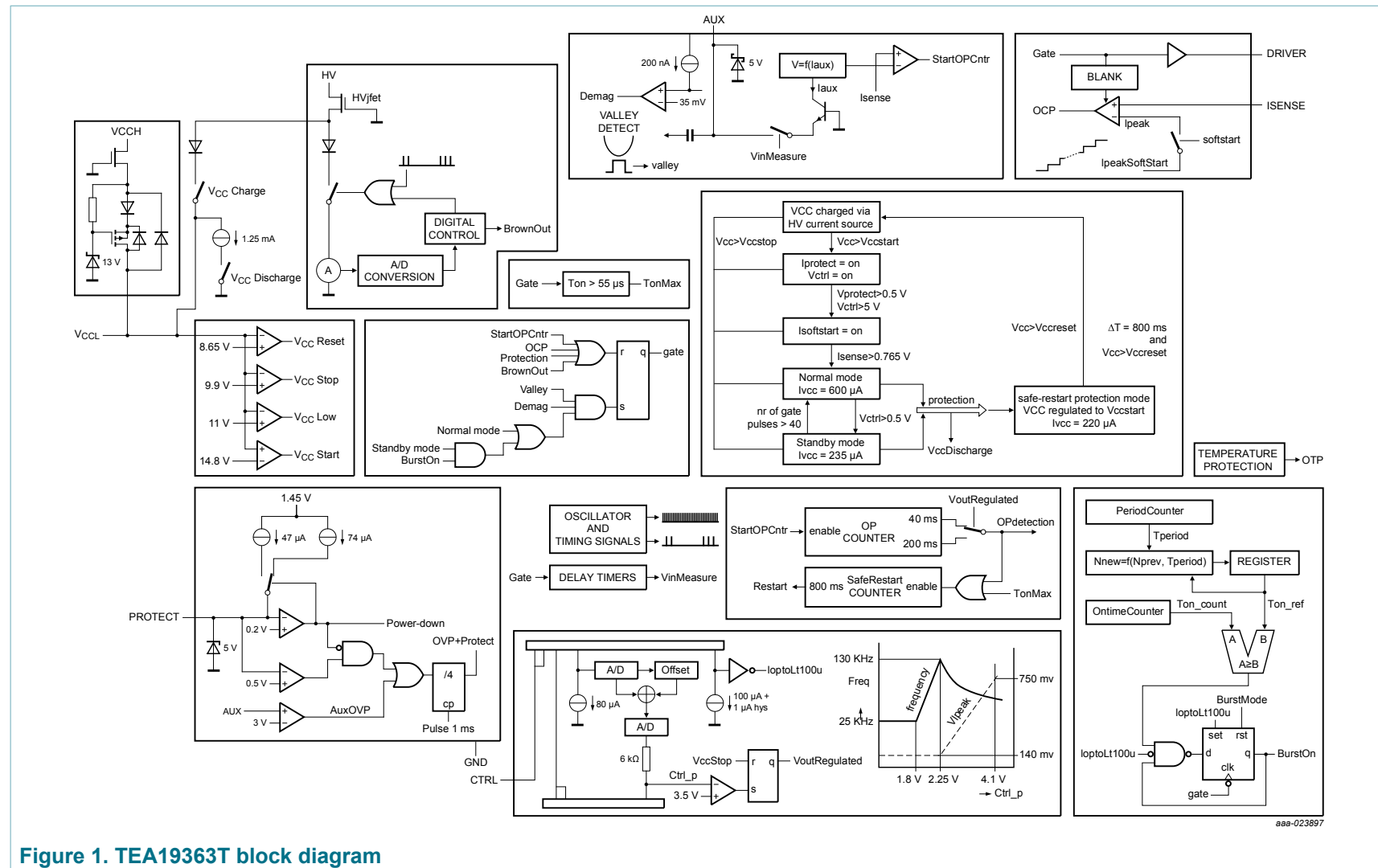
Type number	Package		Version
	Name	Description	
TEA19363T/1	SO10	plastic small outline package; 10 leads; body width 3.9 mm; body thickness 1.35 mm	SOT1437-1

5 Marking

Table 2. Marking codes

Type number	Marking code
TEA19363T/1	TEA19363T

6 Block diagram



aaa-023897

Figure 1. TEA19363T block diagram

7 Pinning information

7.1 Pinning

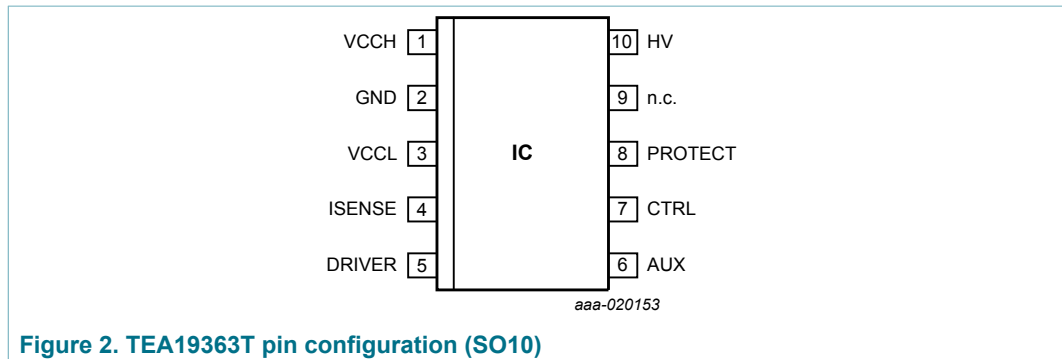


Figure 2. TEA19363T pin configuration (SO10)

7.2 Pin description

Table 3. Pin description

Symbol	Pin	Description
VCCH	1	higher supply voltage
GND	2	ground
VCCL	3	lower supply voltage
ISENSE	4	current sense input
DRIVER	5	gate driver output
AUX	6	auxiliary winding input for demagnetization timing, valley detection, overpower correction, and OVP
CTRL	7	control input
PROTECT	8	general-purpose protection input; pin for power-down mode
n.c.	9	high-voltage safety spacer; not connected
HV	10	high-voltage start-up; active X-capacitor discharge

8 Functional description

8.1 Supply management

The chip is supplied by high-voltage mains via the HV pin during start-up and protection mode. When the system starts switching, the auxiliary windings take over the supply.

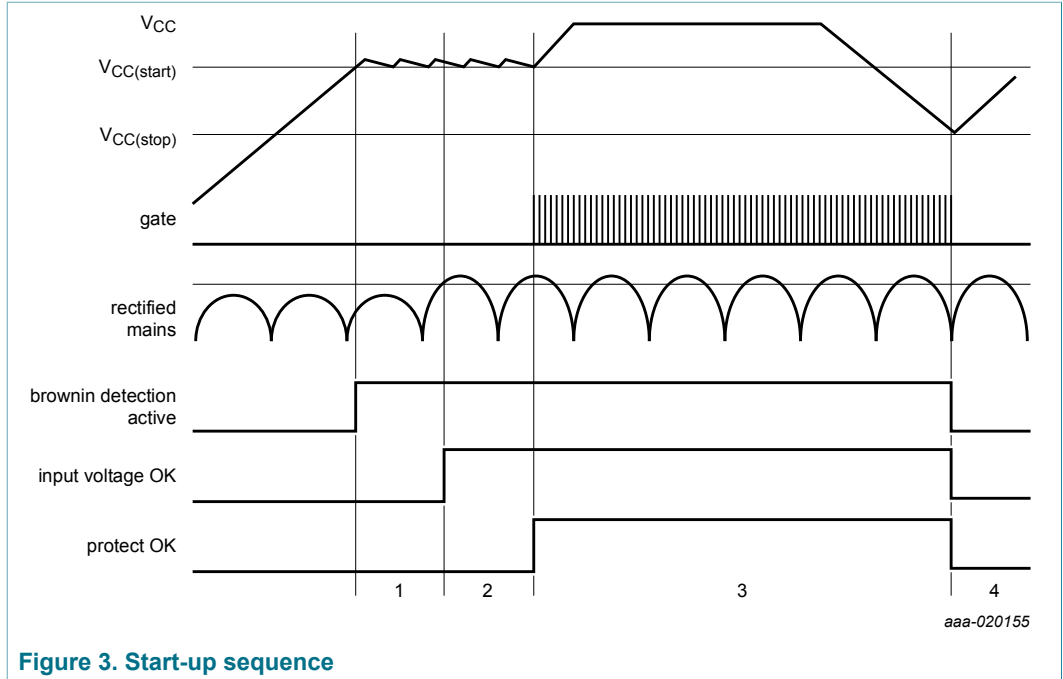
The IC has two supply pins, the VCCH and VCCL pins. The lower pin (VCCL) supplies the IC directly. The higher supply pin (VCCH) is connected to the VCCL pin via an internal voltage regulator. When used in an application, which supports multiple output voltages, a pair of auxiliary transformer windings can be used to supply the IC efficiently at all output levels. To supply the IC at higher output voltages, the winding with fewer turns can be connected to the VCCL pin. At the lower output voltages, the winding with more turns can supply the IC via the VCCH pin. The voltage capability of these pins is chosen such that applications with an output voltage range from 3 V to 20 V are supported optimally. When the voltage on the VCCL pin drops to below $V_{\text{integd}(VCCL)}$, the regulator between the VCCH and VCCL pins turns on.

All internal reference voltages are derived from a temperature compensated on-chip band gap circuit. Internal reference currents are derived from a trimmed and temperature-compensated current reference circuit.

8.2 Start-up and UnderVoltage LockOut (UVLO)

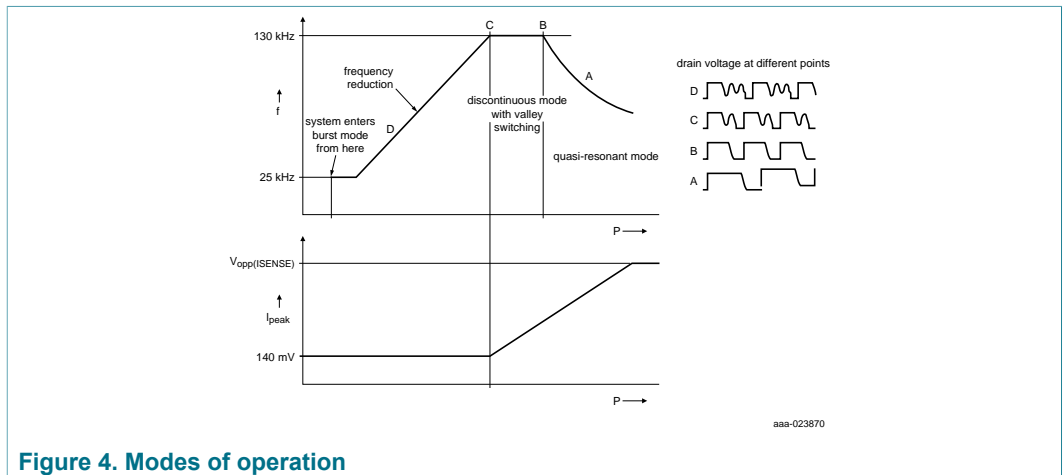
Initially, the capacitor on the VCCL pin is charged from the high-voltage mains using the HV pin. The voltage on the VCCH pin follows (via an internal diode) the voltage on VCCL pin. In this way, the capacitor on the VCCH pin is charged. As long as V_{CC} (the voltage on pin VCCL) is below V_{startup} , the IC current consumption is minimized. When V_{CC} reaches the V_{startup} level, the control logic activates the internal circuitry. The IC waits for the PROTECT pin to reach $V_{\text{det}(\text{PROTECT})} + V_{\text{det}(\text{hys})\text{PROTECT}}$ and the mains voltage to increase to above the brownin level. Meanwhile, the internal power-control signal (which depends on the current at the CTRL pin) also increases to its maximum value. When all these conditions are met, the system starts switching with soft start. In a typical application, the auxiliary winding of the transformer takes over the supply.

During the start-up period, the VCC pin is continuously regulated to the V_{startup} level using the HV charge current. The pin is regulated until the output voltage is at its regulation level, which is detected via the CTRL pin. In this way, the VCC capacitor value can be limited. Due to the limited current capability from the HV pin mains voltage dependent, the voltage on pin VCC can still drop slightly during the start-up period.



8.3 Modes of operation

The TEA19363T operates primarily in fixed frequency DCM mode. At low powers, it enters burst mode. At high powers, it can operate in Quasi-Resonance (QR) mode (see [Figure 4](#)). The auxiliary winding of the flyback transformer provides demagnetization information.



At high output power, the converter operates in QR-mode. Each converter cycle starts after the demagnetization of the transformer and the detection of the valley at the end of the previous cycle. In QR-mode, switching losses are minimized because the external MOSFET is switched on while the drain-source voltage is minimal.

To limit the frequency of operation and enable good efficiency, the QR operation switches to DCM operation with valley skipping when the maximum frequency limit ($f_{sw(max)}$) is reached. This frequency limit reduces the MOSFET switch-on losses and conducted ElectroMagnetic Interference (EMI).

At medium power levels, the controller enters Frequency Reduction (FR) mode. A Voltage Controlled Oscillator (VCO) controls the frequency. The minimum frequency in this mode is ($f_{sw(min)}$). To maintain high efficiency, the primary peak current is kept at a minimum level during FR-mode. Valley switching is also active in this mode.

At low power, the converter enters the burst mode. In burst mode, the switching frequency is $f_{sw(min)}$.

8.4 Mains voltage measuring

In a typical application, the mains input voltage is measured using the HV pin.

The mains voltage is measured every 1 ms by pulling down the HV pin to ground and measuring its current. This current then reflects the input voltage.

The system determines if the mains voltage is connected and its value exceeds the brownin level using an analog-to-digital converter and digital control(see [Figure 1](#)).

When the mains exceeds the brownin level, the system is allowed to start switching (see [Figure 5](#)).

If the mains voltage is continuously below the brownout level for at least 30 ms after start-up, a brownout is detected and the system immediately stops switching. This period is required to avoid that the system stops switching due to the zero crossings of the mains or during a short mains interruption.

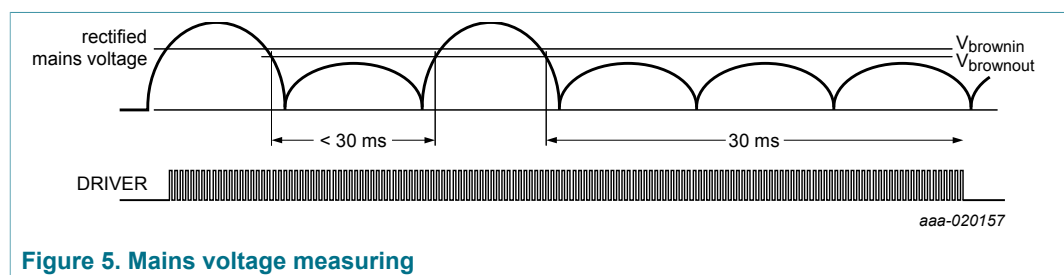
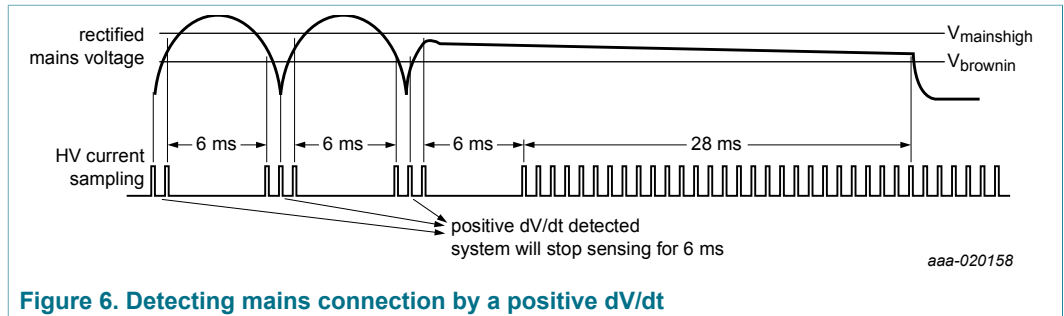


Figure 5. Mains voltage measuring

When the mains voltage is measured by pulling the HV pin to ground, the digital control calculates if there is a positive dV/dt at the mains. A positive dV/dt implies that a mains is connected.

When a mains is detected, the measuring of the mains input voltage is stopped for 6 ms to improve efficiency. In burst mode, this waiting period is increased to 97 ms.

When succeeding samples cross the brownin level ($I_{bi(HV)}$) or the mains high level ($I_{IH(HV)}$); see [Figure 6](#)), a positive dV/dt is measured.

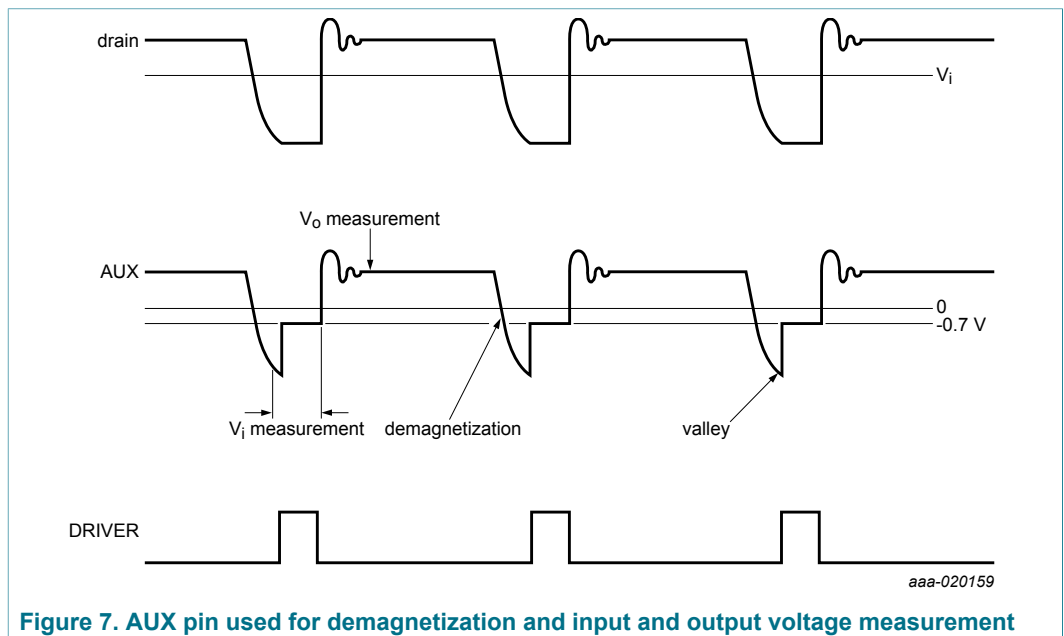


If a positive dV/dt is not detected for 28 ms, the system assumes that the mains is disconnected. In that case, the HV pin is continuously pulled to ground, discharging the external X-capacitor.

8.5 Auxiliary winding

To supply the control IC efficiently, the VCCH and VCCL pins are connected to auxiliary windings via a diode and a capacitor.

To detect demagnetization and input and output voltage, one of the auxiliary windings is connected to the AUX pin via a resistive divider (see Figure 21 and Figure 22). Each switching cycle is divided in sections. During each section, the system knows if the voltage or current out of the AUX pin reflects the demagnetization, valley, input voltage, or output voltage (see Figure 7).



When the external MOSFET is switched on, the voltage at the auxiliary windings reflects the input voltage. The AUX pin is clamped to -0.7 V . The output current is a measure of the input voltage. This current value is internally used to set the overpower limit on $V_{\text{sense(ipk)}}$. The demagnetization, valley and output voltages are measured as a voltage on the AUX pin. In this way, the input voltage measurement and OVP can be adjusted independently.

8.6 Protections

If a protection is triggered, the controller stops switching. To avoid false triggering, some protections have a built-in delay.

Table 4. Protections

Protection	Delay	Action	V _{CC} regulated
AUX open	no	wait until AUX is connected	no
brownout	30 ms	wait until $V_{mains} > V_{bi}$	yes
maximum on-time	no	safe restart	yes
OTP internal	4.5 μ s	safe restart	yes
OTP via the PROTECT pin	2 ms to 4 ms	safe restart	yes
OVP via the AUX pin	4 driver pulses ^[1]	safe restart	yes
OVP via VCCL pin	4 driver pulses ^[1]	safe restart	yes
overpower timeout	40 ms to 200 ms	safe restart	yes
overpower + UVLO	no	safe restart	yes
overcurrent protection	blanking time	cycle-by-cycle	no
UVLO	no	Wait until $V_{VCCL} > V_{startup}$	yes

[1] When the voltage on the PROTECT pin is below $V_{det(PROTECT)}$, the clock of the delay counter is changed from the driver pulse to 1 ms internal pulse.

When the system stops switching, the VCCH and VCCL pins are not supplied via the auxiliary winding anymore. Depending on the protection triggered, V_{VCCL} is either regulated to the $V_{startup}$ level via the HV pin or dropped down until the UVLO protection triggered (see Table 4).

8.6.1 OverPower Protection (OPP)

The overpower protection function is used to realize a maximum output power which is nearly constant over the full input mains.

For applications intended to operate fully in DCM mode, a constant overpower protection level can be set by using the flat portion of the OPP curve (see Figure 8). On the other hand, applications designed to operate in QR mode at maximum power require the OPP level to be compensated for mains. They can be set to use the variable part of the OPP curve.

The resistors connected to the AUX pin set the I_{AUX} . They determine which part of the OPP curve is used by the application.

The overpower compensation circuit measures the input voltage via the AUX pin. The circuit outputs an overpower reference voltage that depends on this input voltage. If the measured voltage at the ISENSE pin exceeds the overpower reference voltage ($V_{opp(ISENSE)}$), the DRIVER output is pulled low (the primary stroke is cut short). The overpower timer starts. In this way, the system limits the power to the maximum rated value on a cycle-by-cycle base. If the overpower situation persists continuously for 200 ms, an overpower timeout is triggered. Figure 8 shows the overpower protection curve.

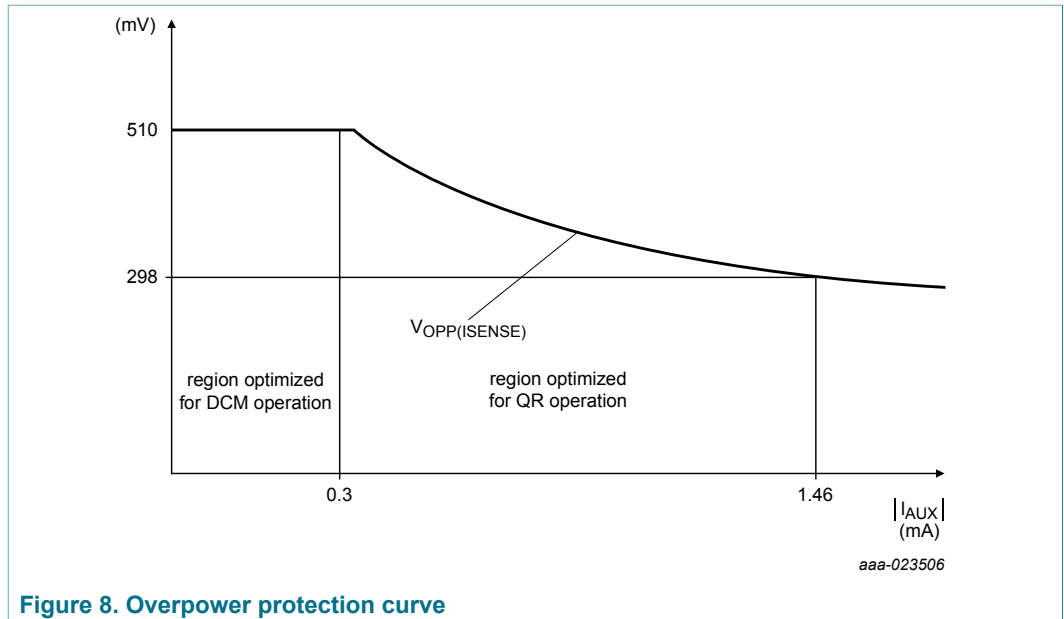


Figure 8. Overpower protection curve

During system start-up, the maximum timeout period is lowered to 40 ms. When the output voltage is within its regulation level, the maximum timeout period returns to 200 ms, limiting the output power to a minimum at a shorted output. Shortening the overpower timer ensures that the input power of the system is limited to < 5 W at a shorted output.

If the load requires more power than allowed by the OPP limit, the output voltage drops because of the limited output power. As a result, the V_{CC} voltage also drops and UVLO can be triggered. To retain the same response in an overpower situation (whether UVLO is triggered or not), the system enters the overpower protection mode when overpower and UVLO are detected. The system entering the protection mode does not depend on the value of the OP counter.

8.6.2 OverVoltage Protection (OVP; pins AUX and VCCL)

An accurate output OVP is implemented by measuring the voltage at the AUX pin during the secondary stroke. As the auxiliary winding voltage is a well-defined replica of the output voltage, the external resistor divider ratio $R_{AUX2} / (R_{AUX1} + R_{AUX2})$ can adjust the OVP level.

An accurate OVP circuit is also connected to the VCCL pin. It measures if the VCCL pin voltage exceeds the level $V_{ovp(VCCL)}$ at the end of primary stroke.

An internal counter of four gate pulses prevents false OVP detection which can occur during ESD or lightning events.

8.6.3 Protection input (PROTECT pin)

The PROTECT pin is a general-purpose input pin. It can be used to trigger one of the protection types shown in Table 4. When the voltage on the PROTECT pin is pulled below $V_{det(PROTECT)}$ (0.5 V), the converter is stopped.

The PROTECT pin can be used to create an OTP function. To create the OTP function, a Negative Temperature Coefficient (NTC) resistor must be connected to this pin. When

the voltage on the PROTECT pin drops to below 0.5 V, overtemperature is detected. The PROTECT current (maximum 74 μA) flowing through the external NTC resistor creates the voltage. The PROTECT voltage is clamped to maximum 1.45 V. At room temperature, the resistance value of the NTC resistor is much higher than at high temperatures. Because of the clamp, the current out of the PROTECT pin is 1.45 V divided by the resistance, which is much lower than 74 μA .

A filter capacitor can be connected to the PROTECT pin.

To avoid false triggering, an internal filter of 2 ms to 4 ms is applied.

8.6.4 OverTemperature Protection (OTP)

If the junction temperature exceeds the thermal temperature shutdown limit, an integrated OTP feature ensures that the IC stops switching. OTP is a safe restart protection.

A built-in hysteresis ensures that the internal temperature must drop 10 $^{\circ}\text{C}$ degrees before the IC restarts.

8.6.5 Maximum on-time

The controller limits the on-time of the external MOSFET to 55 μs . When the on-time is longer, the IC stops switching and enters safe restart mode.

8.6.6 Safe restart

If a protection is triggered and the system enters the safe restart mode (see [Table 4](#)), the system restarts after a delay time ($t_{d(\text{restart})}$). An internal current source ($I_{\text{CC}(\text{dch})}$) discharges the voltage on pin VCCL. The discharge allows the conditions at a restart to be similar to a normal start-up. Because the system is not switching, the VCCL and VCCH pins are supplied from the mains via the HV pin.

After the restart delay time ($t_{d(\text{restart})}$), the control IC measures the mains voltage. If the mains voltage exceeds the brownin level, the control IC activates the PROTECT pin current source and the internal voltage sources connected to the CTRL pin. When the voltages on these pins reach a minimum level, the soft start capacitor on the ISENSE pin is charged and the system starts switching again.

The V_{CC} is continuously regulated to the V_{startup} level until the output voltage is within the regulation level again.

8.7 Optobias regulation (CTRL pin)

In a typical application, the output voltage (or current) is sensed on the secondary side (by a TL431 or a controller such as TEA190x). The feedback signal is passed to the primary side via an optocoupler. The optocoupler sends the current information to the CTRL pin of the TEA19363T. (see [Figure 21](#) and [Figure 22](#)).

The TEA19363T applies a relatively fixed voltage at the CTRL pin (the input impedance of the CTRL pin is $R_{int(CTRL)}$). It senses the current through the optocoupler. The TEA19363T compares the current with an internal regulation level $I_{IO(reg)CTRL}$ ($80 \mu A$). The difference is integrated with a slow time constant (in ms). It is added to the control signal that sets the output power. If the optocurrent (at CTRL pin) exceeds the regulation level ($I_{IO(reg)CTRL}$), the control signal reduces in this way, which leads to an output power decrease and vice versa. The optocurrent (at the CTRL pin) slowly regulates toward the regulation level ($I_{IO(reg)CTRL}$). The result is a constant optocurrent during stable operation at all output power levels.

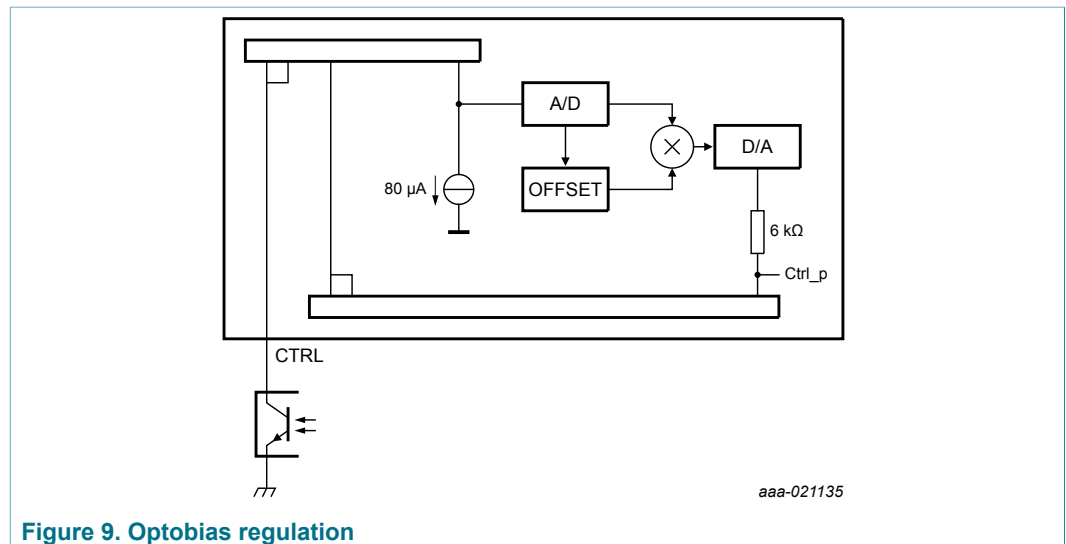


Figure 9. Optobias regulation

Figure 9 shows the slow optocurrent regulation loop.

In addition to the slow optocurrent regulation loop described above, the CTRL current directly contributes to the internal power control by creating a voltage drop across a 6 kΩ resistor (See [Figure 9](#)). It determines the transient behavior of the power regulation loop, which remains similar to ICs, like the TEA1836. The control loop responds to load or line variations through this direct optocurrent contribution, whereas the slow offset loop simply sets the steady state operation point.

The advantages of this type of regulation are:

- The optocoupler collector parasitics do not influence the loop. So, more freedom in tuning the loop characteristics is ensured.
- Unlike the traditional situation where the optocoupler current becomes much higher at lower output power, it retains the same low value in steady state at all powers.

Since the optocurrent is only $80 \mu A$ even at low powers, a load step to a very high load can result in a maximum decrease of the optocurrent by this amount only. It limits the possible power increase. To counter this possibility, the offset loop enters a fast regulation mode when a significant optocurrent decrease is detected (to about $20 \mu A$

under the regulation level). The fast regulation mode ensures a quick output power increase.

8.8 Burst mode operation

When the output power drops to below the minimum level the system can supply while operating at the minimum power setting (i.e. the switching frequency is at its minimum), it can no longer reduce the optocurrent level to the regulation level $I_{O(reg)CTRL}$ ($= 80 \mu A$). In this situation, the optocurrent increases to exceed the level of the burst threshold ($I_{th(burst)CTRL}$) and the burst mode is entered. Switching is paused and a burst-off period commences. Consequently, the optocurrent decreases. When it drops to below the $I_{th(burst)CTRL}$, a new burst of switching cycles is started (see Figure 10 and Figure 11).

Figure 10 shows that all the operating frequencies are outside the audible area. The minimum switching frequency is $f_{sw(min)}$ and the burst mode repetition target period is t_{burst} .

The requested output power determines the number of pulses at each burst period. At higher output power, the number of switching pulses increases. At low load, it decreases. This burst mode regulation allows low-load operation without compromising on spectral purity, while keeping the output ripple limited. In addition, the optocoupler current is maintained at a very low level during low-load and standby operation. The result is a very low standby power consumption.

To ensure good efficiency at very low load, the minimum number of switching cycles is set to 1. When the minimum number of pulses is reached, the burst repetition period cannot be reduced further. As the power decreases, the repetition rate of the single-pulse bursts decreases as well to a very low value. To improve further, the no-load input power and efficiency at low load, the current consumption of the IC is lowered to $240 \mu A$ during the non-switching period in the burst mode.

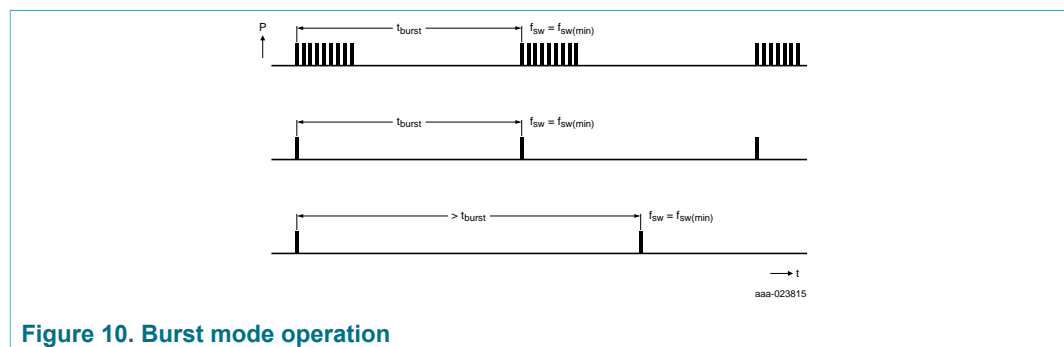


Figure 10. Burst mode operation

To achieve a good transient response at an increased output load, the system starts switching immediately when I_{CTRL} drops to below $I_{start(burst)}$. It keeps switching until the optocurrent exceeds the level of $I_{start(burst)CTRL}$ ($100 \mu A$). However, to achieve a good transient response at a decreased output load, the system stops switching immediately when the optocurrent exceeds the level of $I_{stop(burst)CTRL}$ ($200 \mu A$) at a decreased output load. In both situations, the calculated number of switching pulses by the internal digital circuit is overruled for the present burst cycle.

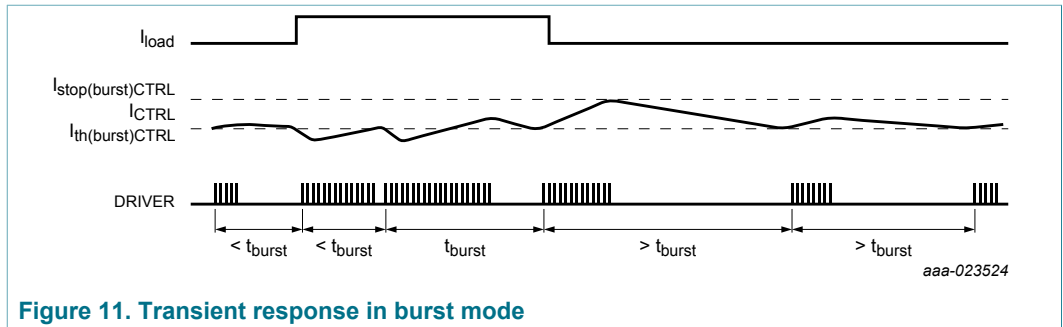


Figure 11. Transient response in burst mode

Even though the burst-mode regulates toward a target repetition frequency, the actual repetition rate is lower than the target because of the discrete number of switching cycles. Increasing or decreasing the number of pulses results in a step change in the burst repetition frequency.

Before reducing the number of pulses in the next burst, it is ensured that the resulting repetition rate does not exceed the target frequency. Hence, at any moment in burst-mode operation, the actual burst repetition rate is within a band under the target frequency. If the number of burst pulses decreases, the effect of adding a pulse increases and the band becomes wider (see Figure 12).

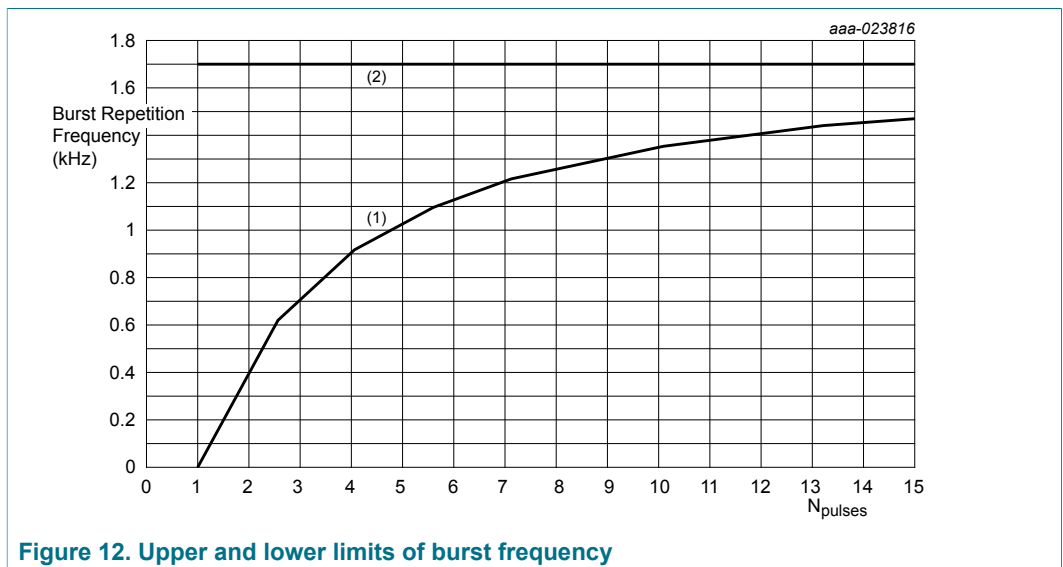


Figure 12. Upper and lower limits of burst frequency

When the burst on time is 1.5 times longer than the target period (t_{burst}), the system switches to normal mode again.

8.9 Soft start-up (ISENSE pin)

To prevent audible noise during start-up or a restart condition, an integrated soft start feature is implemented. When the converter starts switching, the primary peak current slowly increases to the regulated level with 15 steps.

The soft start time constant is 3.7 ms, set by an internal time.

8.10 Driver (DRIVER pin)

The driver circuit to the gate of the power MOSFET has a current sourcing capability of 300 mA and a current sink capability of 750 mA. These capabilities allow a fast turn-on and turn-off of the power MOSFET for efficient operation.

The maximum driver output is limited to 10.5 V. The DRIVER output pin can be connected to the gate of a MOSFET directly or via a resistor.

9 Limiting values

Table 5. Limiting values

In accordance with the Absolute Maximum Rating System (IEC 60134).

Symbol	Parameter	Conditions	Min	Max	Unit
Voltages					
$V_{IO(HV)}$	input/output voltage on pin HV		-0.4	+700	V
V_{VCCH}	voltage on pin VCCH	dual supply voltage	-0.4	+120	V
V_{VCCL}	voltage on pin VCCL	dual supply voltage	-	50	V
$V_{IO(CTRL)}$	input/output voltage on pin CTRL		-0.4	+12	V
$V_{I(ISENSE)}$	input voltage on pin ISENSE		-0.4	+12	V
$V_{IO(PROTECT)}$	input/output voltage on pin PROTECT	current limited	-0.4	+5	V
$V_{IO(AUX)}$	input/output voltage on pin AUX	current limited	-5	+5	V
Currents					
$I_{IO(AUX)}$	input/output current on pin AUX		-1.5	+1	mA
$I_{IO(HV)}$	input/output current on pin HV		-1	+5	mA
$I_{IO(CTRL)}$	input/output current on pin CTRL		-3	0	mA
$I_{IO(PROTECT)}$	input/output current on pin PROTECT		-1	+1	mA
General					
P_{tot}	total power dissipation	$T_{amb} < 75\text{ °C}$	-	1	W
T_{stg}	storage temperature		-55	+150	°C
T_j	junction temperature		-40	+150	°C

Symbol	Parameter	Conditions	Min	Max	Unit	
ElectroStatic Discharge (ESD)						
V_{ESD}	electrostatic discharge voltage	class 1				
		human body model	[1]			
		pins HV and VCCH		-	1000	V
		all other pins		-	2000	V
		charged device model	[2]	-	500	V

[1] According to JEDEC JS-001.

[2] According to JEDEC JESD22-C101 and ANSI S5.3.1.

10 Recommended operating conditions

Table 6. Recommended operating conditions

Symbol	Parameter	Conditions	Min	Max	Unit
Voltages					
$V_{IO(HV)}$	input/output voltage on pin HV		0	380	V
V_{VCCH}	voltage on pin VCCH	dual supply voltage	0	120	V
V_{VCCL}	voltage on pin VCCL	dual supply voltage; continuous	-	45	V
$V_{IO(CTRL)}$	input/output voltage on pin CTRL		0	5	V
$V_{I(ISENSE)}$	input voltage on pin ISENSE		0	5	V
$V_{IO(PROTECT)}$	input/output voltage on pin PROTECT	current limited	0	2	V
$V_{IO(AUX)}$	input/output voltage on pin AUX	current limited	-5	+5	V
Currents					
$I_{IO(AUX)}$	input/output current on pin AUX		-1	+1	mA
$I_{IO(HV)}$	input/output current on pin HV		0	2	mA
$I_{IO(CTRL)}$	input/output current on pin CTRL		-1	0	mA
$I_{IO(PROTECT)}$	input/output current on pin PROTECT		-1	+1	mA
General					
T_j	junction temperature		-25	+125	°C

11 Thermal characteristics

Table 7. Thermal characteristics

Symbol	Parameter	Conditions	Typ	Unit
$R_{th(j-a)}$	thermal resistance from junction to ambient	JEDEC test board	148	K/W
$R_{th(j-c)}$	thermal resistance from junction to case	JEDEC test board	86	K/W

12 Characteristics

Table 8. Characteristics

Limits are production tested at 25 °C and are guaranteed by statistical characterization in the temperature operating range. $V_{CC} = 20$ V; all voltages are measured with respect to ground (pin 2); currents are positive when flowing into the IC; unless otherwise specified.

Symbol	Parameter	Conditions	Min	Typ	Max	Unit
Start-up current source (HV pin)						
$I_{startup(HV)}$	start-up current on pin HV	$V_{HV} > 10$ V	0.8	1.15	1.5	mA
		$V_{CC} > V_{startup}$; HV not sampling	-	-	1	μ A
V_{clamp}	clamp voltage	$I_{HV} < 2$ mA	-	-	680	V
Supply voltage management (VCCL pin)						
$V_{startup}$	start-up voltage		13.4	14.9	16.4	V
$V_{intregd(VCCL)}$	internal regulated voltage on pin VCCL	via VCCH; $I_{CC} = 0.5$ mA	12.1	12.5	12.9	V
$V_{restart}$	restart voltage	burst mode	9.9	11	12.1	V
$V_{th(UVLO)}$	undervoltage lockout threshold voltage		9.0	9.9	10.8	V
V_{rst}	reset voltage		7.75	8.65	9.55	V
$I_{CC(startup)}$	start-up supply current	$V_{HV} = 0$ V	-	40	-	μ A
		$V_{HV} > 10$ V	-1.45	-1.1	-0.75	mA
$I_{CC(oper)}$	operating supply current	driver unloaded; excluding optocurrent	-	600	-	μ A
$I_{CC(burst)}$	burst mode supply current	non-switching; excluding optocurrent	-	250	-	μ A
$I_{CC(prot)}$	protection supply current		-	235	-	μ A
$I_{CC(dch)}$	discharge supply current	safe restart protection; $V_{CC} > V_{startup}$	1.45	1.88	2.25	mA
Mains detect (HV pin)						
$t_{p(HV)}$	pulse duration on pin HV	measuring mains voltage	18.5	20.6	22.7	μ s
$f_{meas(HV)}$	measurement frequency on pin HV	measuring mains voltage	0.89	1.0	1.11	kHz

GreenChip SMPS primary side control IC with QR/DCM operation and X-capacitor discharge

Symbol	Parameter	Conditions	Min	Typ	Max	Unit
$t_{d(norm)HV}$	normal mode delay time on pin HV	measuring mains voltage	5.3	6.0	6.7	ms
$t_{d(burst)HV}$	burst mode delay time on pin HV	measuring mains voltage	87	97	107	ms
$I_{bo(HV)}$	brownout current on pin HV		552	587	622	μA
$I_{bi(HV)}$	brownin current on pin HV		623	663	703	μA
$I_{bo(hys)HV}$	hysteresis of brownout current on pin HV		-	76	-	μA
$I_{clamp(HV)}$	clamp current on pin HV	during measurement time	-	-	1.75	mA
$V_{meas(HV)}$	measurement voltage on pin HV		-	2.9	-	V
$t_{d(dch)}$	discharge delay time	X-capacitor discharge; HV pin	-	28	-	ms
$t_{d(det)bo}$	brownout detection delay time		-	30	-	ms
Peak current control (pin CTRL)						
$V_{IO(CTRL)}$	input/output voltage on pin CTRL		-	2.7	-	V
$R_{int(CTRL)}$	internal resistance on pin CTRL		-	1.7	-	k Ω
$I_{IO(startup)CTRL}$	start-up input/output current on pin CTRL		-580	-500	-420	μA
Burst mode (pin CTRL)						
$I_{th(burst)CTRL}$	burst mode threshold current on pin CTRL		-125	-110	-95	μA
$I_{stop(burst)CTRL}$	burst mode stop current on pin CTRL		-230	-200	-170	μA
T_{burst}	burst mode period		-	600	-	μs
Oscillator						
$f_{sw(max)}$	maximum switching frequency		120	128	136	kHz
$f_{sw(min)}$	minimum switching frequency	burst mode ≥ 2 pulses	23	25.5	28	kHz
Current sense (pin ISENSE)						
$V_{sense(peak)}$	peak sense voltage	output overpower		$V_{opp(ISENSE)}$		mV
		burst mode	130	145	160	mV
$t_{PD(sense)}$	sense propagation delay	from the ISENSE pin reaching $V_{sense(max)}$ to driver off; V_{ISENSE} pulse-stepping 100 mV around $V_{sense(max)}$	-	120	-	ns

GreenChip SMPS primary side control IC with QR/DCM operation and X-capacitor discharge

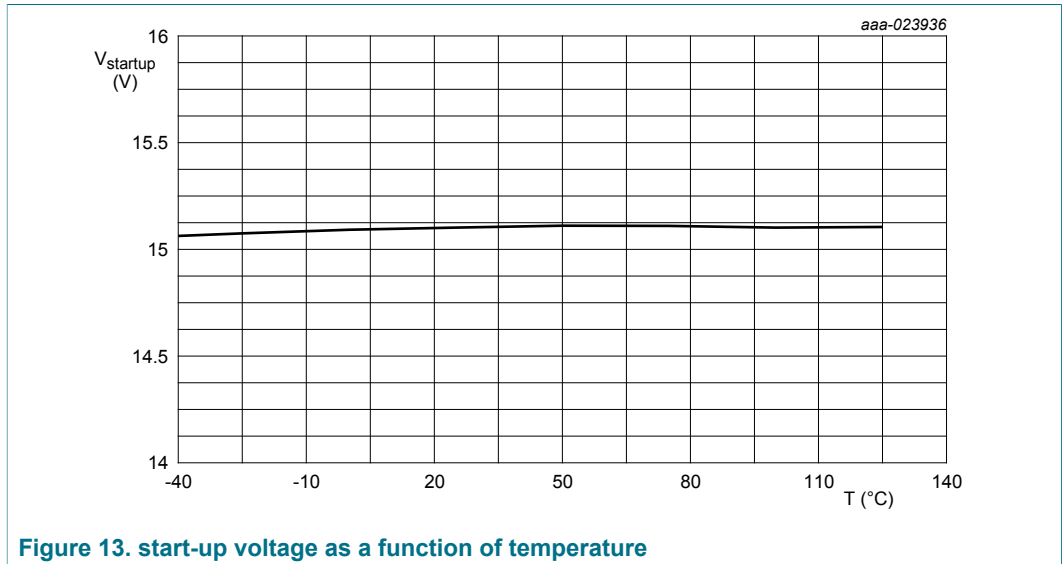
Symbol	Parameter	Conditions	Min	Typ	Max	Unit
t_{leb}	leading edge blanking time		275	325	375	ns
Soft start (pin ISENSE)						
$t_{start(soft)}$	soft start time		3.3	3.7	4.1	ms
Demagnetization and valley control (pin AUX)						
$V_{det(demag)}$	demagnetization detection voltage		20	40	60	mV
$I_{prot(AUX)}$	protection current on pin AUX		-	-200	-	nA
$t_{blank(det)demag}$	demagnetization detection blanking time		1.9	2.3	2.7	μ s
$(\Delta V/\Delta t)_{vrec}$	valley recognition voltage change with time	positive $\Delta V/\Delta t$	0.25	0.37	0.49	V/ μ s
		negative $\Delta V/\Delta t$	-2.45	-1.95	-1.5	V/ μ s
$t_{d(vrec-swon)}$	valley recognition to switch-on delay time		-	120	-	ns
$V_{clamp(AUX)}$	clamp voltage on pin AUX	$I_{AUX} = 1$ mA	4.4	4.8	5.2	V
$t_{sup(xfmr_ring)}$	transformer ringing suppression time		2.0	2.4	2.8	μ s
Maximum on-time (pin DRIVER)						
$t_{on(max)}$	maximum on-time		45	55	65	μ s
Driver (pin DRIVER)						
$I_{source(DRIVER)}$	source current on pin DRIVER	$V_{DRIVER} = 2$ V	-	-0.3	-	A
$I_{sink(DRIVER)}$	sink current on pin DRIVER	$V_{DRIVER} = 2$ V	-	0.3	-	A
		$V_{DRIVER} = 10$ V	-	0.75	-	A
$V_{O(DRIVER)max}$	maximum output voltage on pin DRIVER		9	10.5	12	V
Overpower protection (pin ISENSE and pin AUX)						
$V_{clamp(AUX)}$	clamp voltage on pin AUX	primary stroke; $I_{AUX} = -0.3$ mA	-0.8	-0.7	-0.6	V
$t_{d(clamp)AUX}$	clamp delay time on pin AUX	after rising edge of pin DRIVER	1.9	2.3	2.7	μ s
$V_{opp(ISENSE)}$	overpower protection voltage on pin ISENSE	counter trigger level				
		$I_{AUX} = -0.3$ mA	460	510	560	mV
		$I_{AUX} = -1.46$ mA	268	298	328	mV
$t_{d(opp)}$	overpower protection delay time	start-up mode; $I_{CTRL} < 100$ μ A	35.5	40	44.5	ms
		normal mode	178	200	222	ms
$t_{d(restart)}$	restart delay time		890	1000	1110	ms
External protection (pin PROTECT)						

GreenChip SMPS primary side control IC with QR/DCM operation and X-capacitor discharge

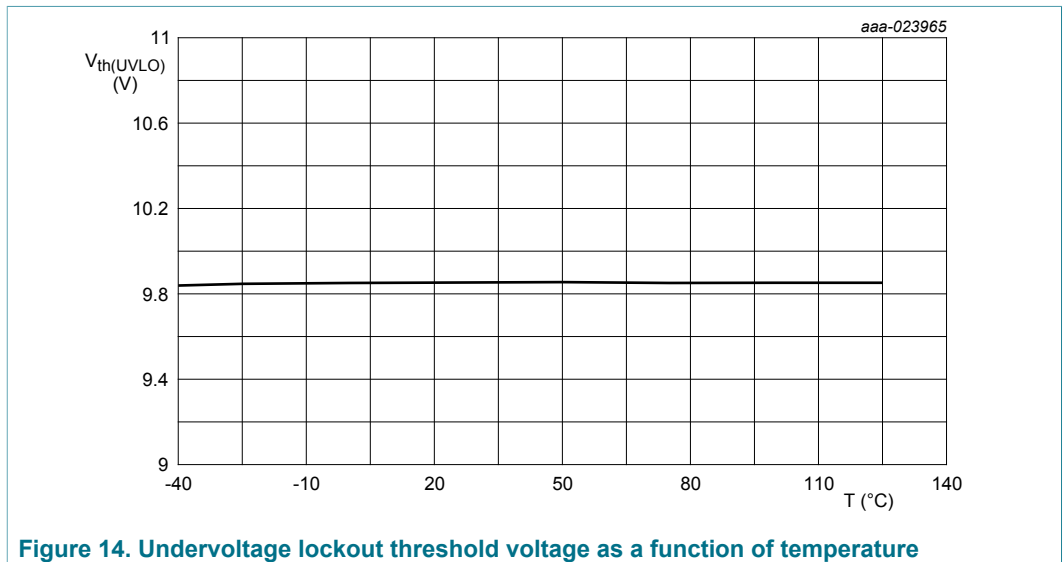
Symbol	Parameter	Conditions	Min	Typ	Max	Unit
$V_{\text{det(PROTECT)}}$	detection voltage on pin PROTECT		0.47	0.5	0.53	V
$V_{\text{det(hys)PROTECT}}$	detection voltage hysteresis on pin PROTECT		-	50	-	mV
$I_{\text{O(PROTECT)}}$	output current on pin PROTECT	normal mode	-79	-74	-69	μA
$V_{\text{clamp(PROTECT)}}$	clamp voltage on pin PROTECT		1.2	1.4	1.6	V
Overvoltage protection (pin AUX)						
$V_{\text{ovp(AUX)}}$	overvoltage protection voltage on pin AUX		2.88	3	3.12	V
$V_{\text{ovp(VCCL)}}$	overvoltage protection voltage on pin VCCL		46.5	48	49.5	V
$t_{\text{det(ovp)}}$	overvoltage protection detection time	in the secondary stroke	2	2.4	2.8	μs
Temperature protection						
$T_{\text{pl(IC)}}$	IC protection level temperature		130	140	150	$^{\circ}\text{C}$
$T_{\text{pl(IC)hys}}$	hysteresis of IC protection level temperature		-	10	-	$^{\circ}\text{C}$

12.1 Typical temperature performance characteristics

12.1.1 Start-up voltage



12.1.2 Undervoltage lockout threshold voltage



12.1.3 Detection voltage (pin PROTECT)

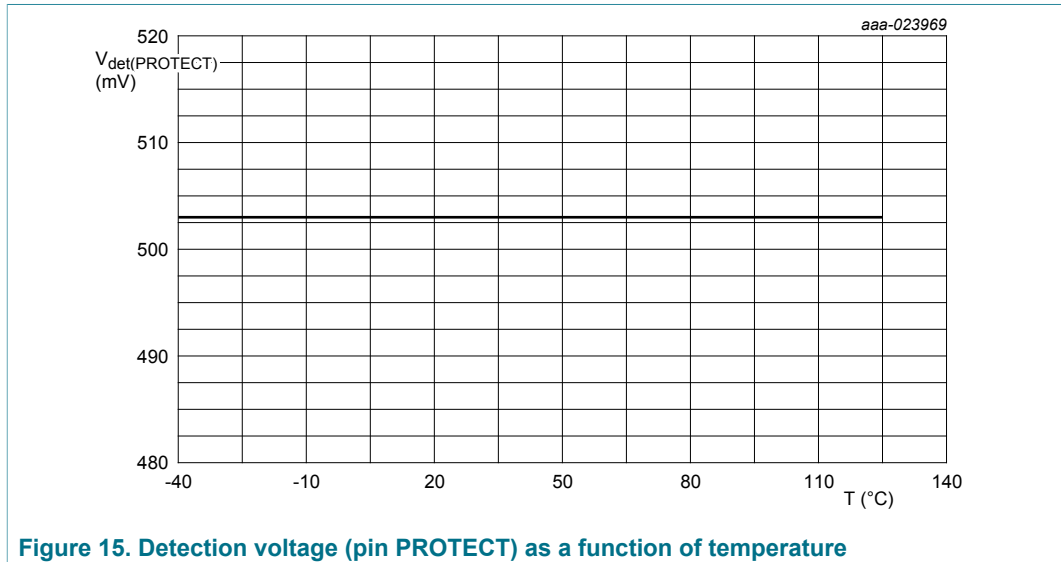


Figure 15. Detection voltage (pin PROTECT) as a function of temperature

12.1.4 Switching frequency

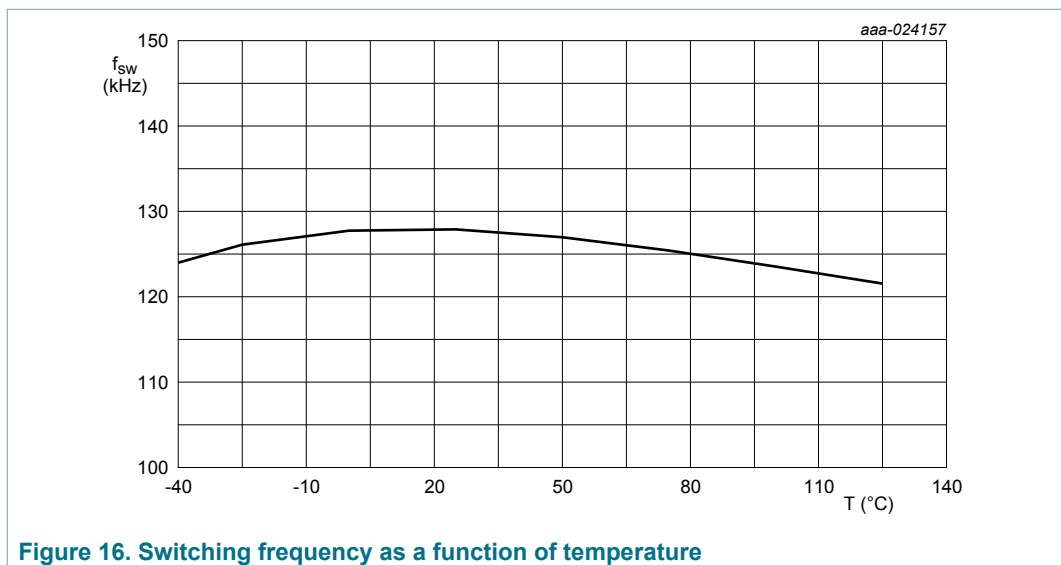
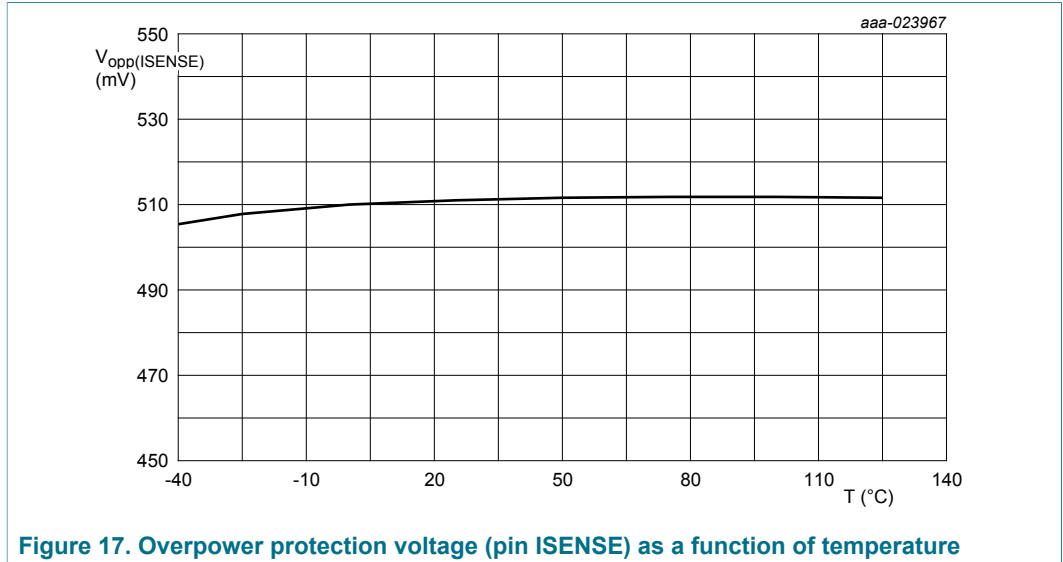
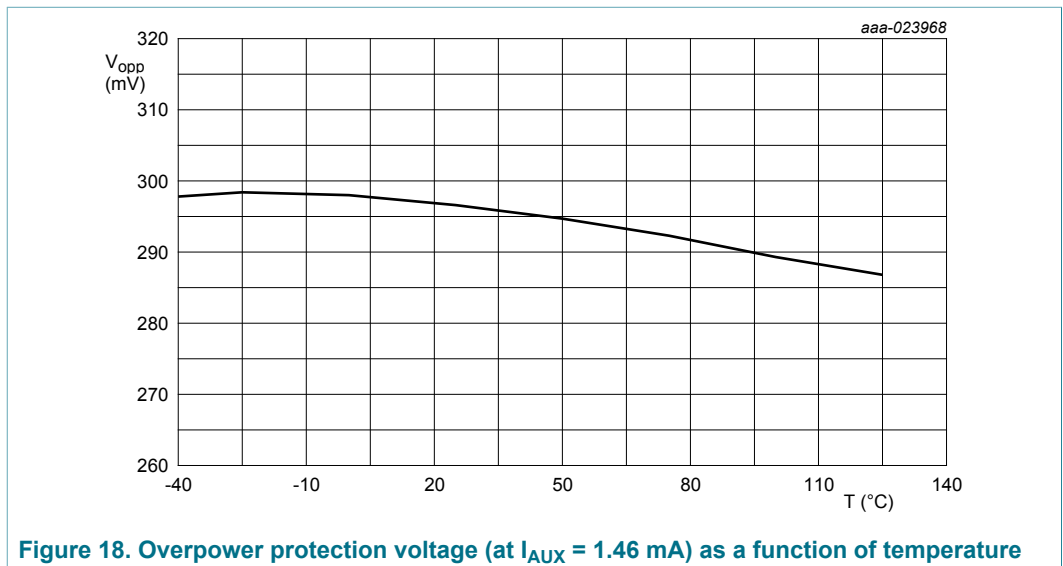


Figure 16. Switching frequency as a function of temperature

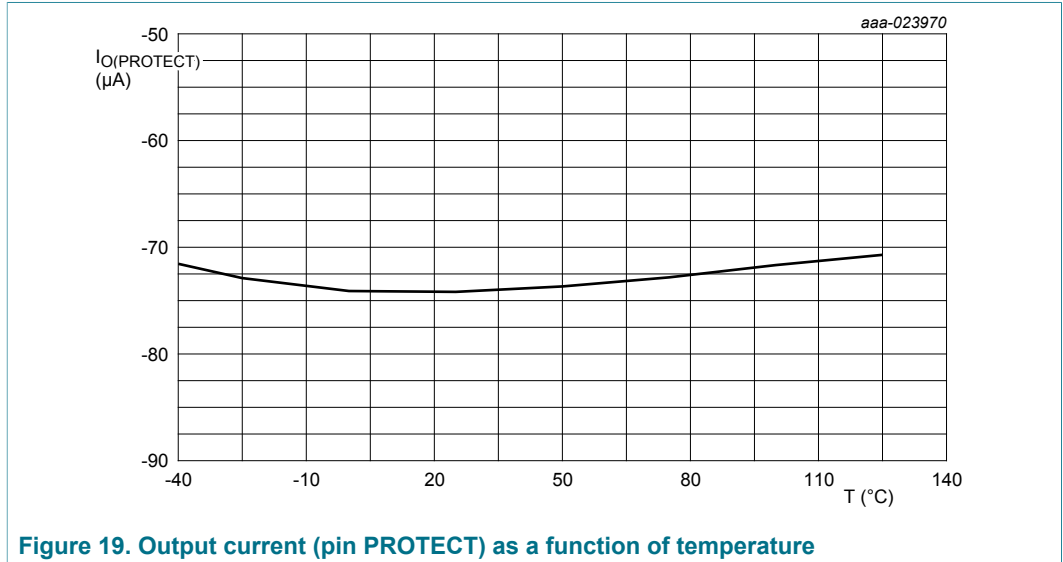
12.1.5 Overpower protection voltage (pin ISENSE)



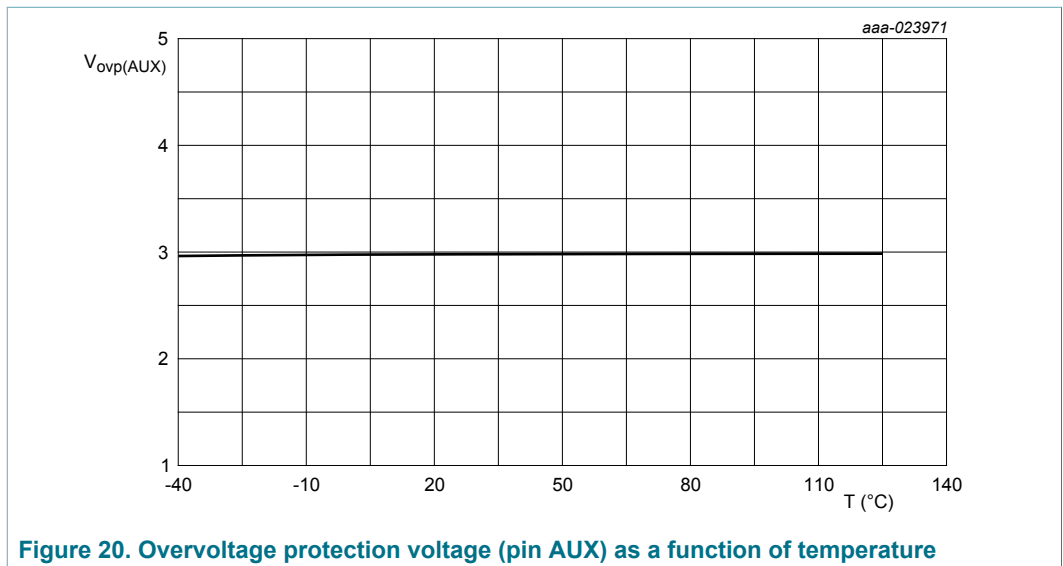
12.1.6 Overpower protection (at $I_{AUX} = 1.46$ mA)



12.1.7 Output current (pin PROTECT)



12.1.8 Overvoltage protection voltage (pin AUX)



13 Application information

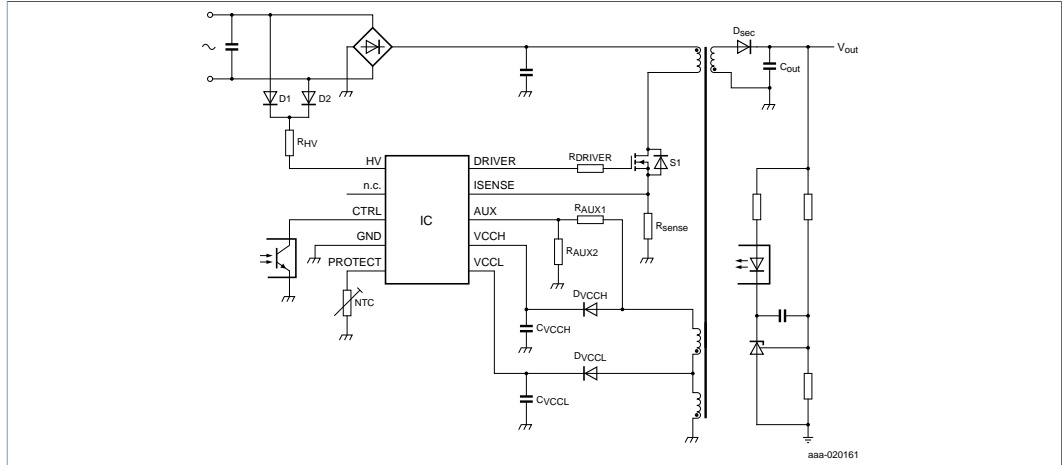


Figure 21. TEA19363T application diagram

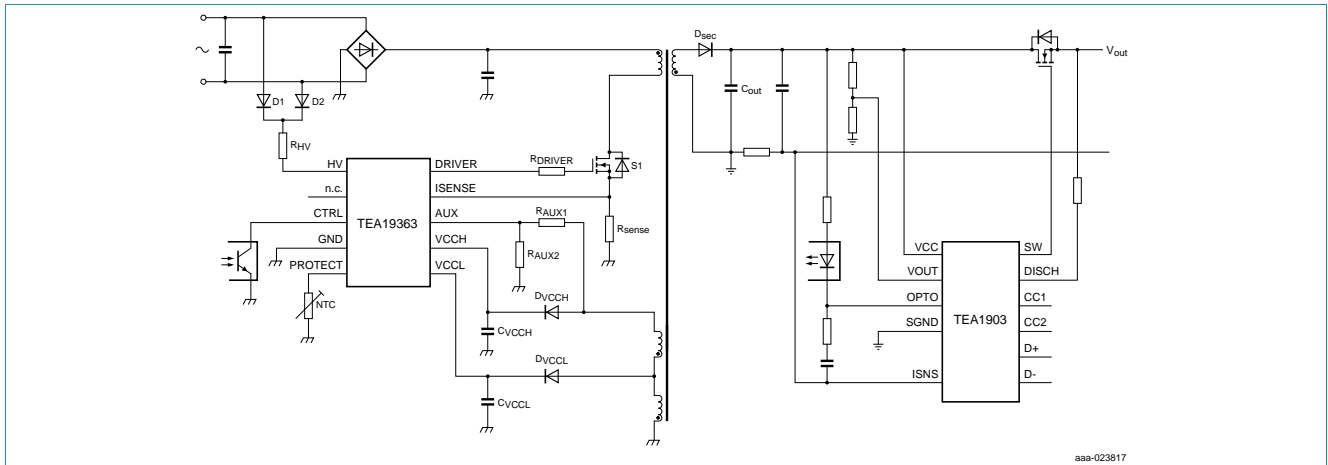
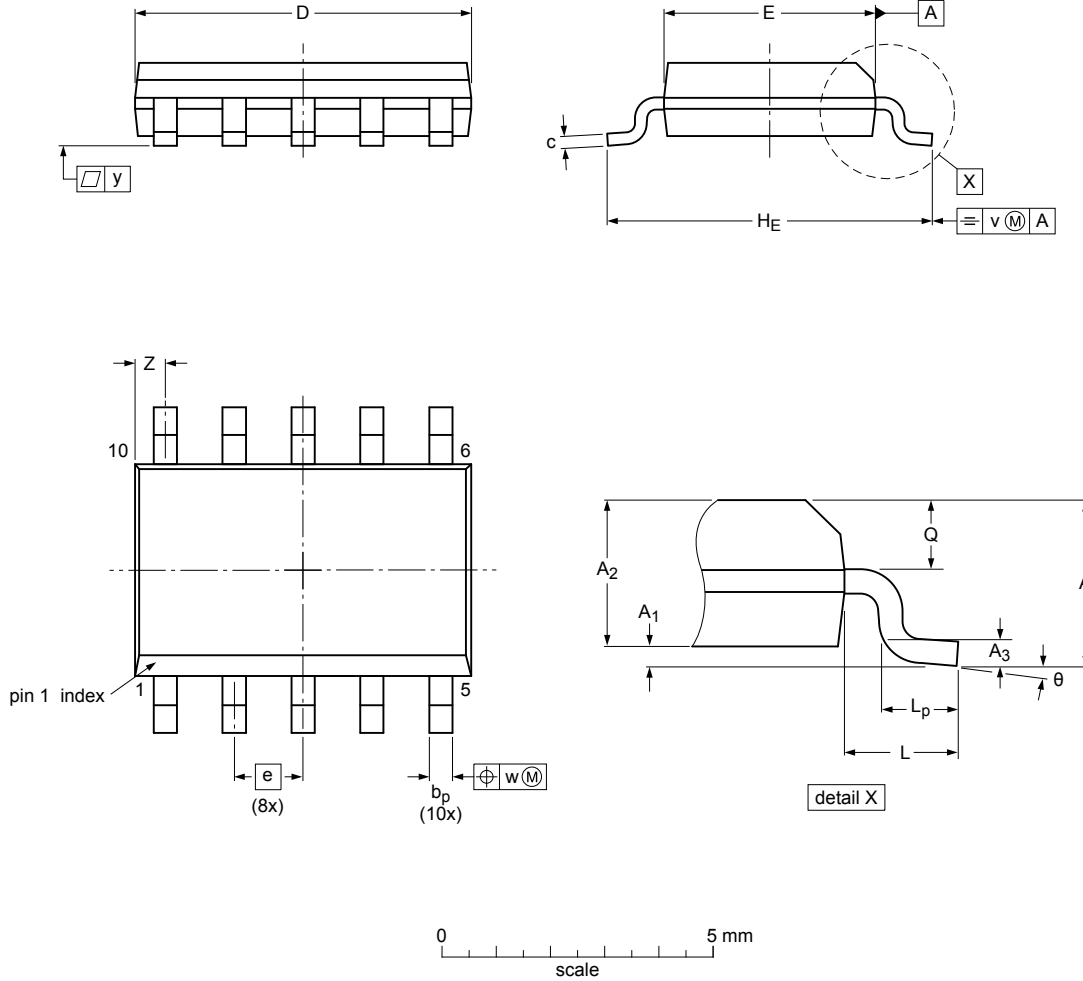


Figure 22. TEA19363T application diagram with TEA190xT

14 Package outline

SO10: plastic small outline package; 10 leads; body width 3.9 mm; body thickness 1.35 mm SOT1437-1



Dimensions

Unit	A	A ₁	A ₂	A ₃	b _p	c	D ⁽¹⁾	E ⁽¹⁾	e	H _E	L	L _p	Q	v	w	y	Z	θ
max	1.75	0.25	1.45		0.49	0.25	6.3	4.0		6.20		1.00	0.70				0.70	8°
nom		0.18	1.35	0.25	0.43	0.22	6.2	3.9	1.27	6.00	1.05	0.70	0.65	0.25	0.25	0.1	0.56	4°
min		0.10	1.25		0.36	0.19	6.1	3.8		5.80		0.40	0.60				0.30	0°

Note

1. Plastic or metal protrusions of 0.25 mm maximum per side are not included.

sot1437-1_po

Outline version	References			European projection	Issue date
	IEC	JEDEC	JEITA		
SOT1437-1					15-02-09 15-03-06

Figure 23. Package outline SOT1437-1 (SO10)

15 Abbreviations

Table 9. Abbreviations

Acronym	Description
CC	Constant Current
CV	Constant Voltage
DCM	Discontinuous Conduction Mode
EMI	ElectroMagnetic Interference
ESD	ElectroStatic Discharge
FR	Frequency Reduction
MOSFET	Metal-Oxide-Semiconductor Field-Effect Transistor
OCP	OverCurrent Protection
OPP	OverPower Protection
OTP	OverTemperature Protection
OVP	OverVoltage Protection
QR	Quasi-Resonant
SMPS	Switch-Mode Power Supply
SOI	Silicon-On_Insulator
UVLO	UnderVoltage LockOut
VCO	Voltage Controlled Oscillator

16 Revision history

Table 10. Revision history

Document ID	Release date	Data sheet status	Change notice	Supersedes
TEA19363T v.1	20161020	Product data sheet	-	-

17 Legal information

17.1 Data sheet status

Document status ^{[1][2]}	Product status ^[3]	Definition
Objective [short] data sheet	Development	This document contains data from the objective specification for product development.
Preliminary [short] data sheet	Qualification	This document contains data from the preliminary specification.
Product [short] data sheet	Production	This document contains the product specification.

[1] Please consult the most recently issued document before initiating or completing a design.

[2] The term 'short data sheet' is explained in section "Definitions".

[3] The product status of device(s) described in this document may have changed since this document was published and may differ in case of multiple devices. The latest product status information is available on the Internet at URL <http://www.nxp.com>.

17.2 Definitions

Draft — The document is a draft version only. The content is still under internal review and subject to formal approval, which may result in modifications or additions. NXP Semiconductors does not give any representations or warranties as to the accuracy or completeness of information included herein and shall have no liability for the consequences of use of such information.

Short data sheet — A short data sheet is an extract from a full data sheet with the same product type number(s) and title. A short data sheet is intended for quick reference only and should not be relied upon to contain detailed and full information. For detailed and full information see the relevant full data sheet, which is available on request via the local NXP Semiconductors sales office. In case of any inconsistency or conflict with the short data sheet, the full data sheet shall prevail.

Product specification — The information and data provided in a Product data sheet shall define the specification of the product as agreed between NXP Semiconductors and its customer, unless NXP Semiconductors and customer have explicitly agreed otherwise in writing. In no event however, shall an agreement be valid in which the NXP Semiconductors product is deemed to offer functions and qualities beyond those described in the Product data sheet.

17.3 Disclaimers

Limited warranty and liability — Information in this document is believed to be accurate and reliable. However, NXP Semiconductors does not give any representations or warranties, expressed or implied, as to the accuracy or completeness of such information and shall have no liability for the consequences of use of such information. NXP Semiconductors takes no responsibility for the content in this document if provided by an information source outside of NXP Semiconductors. In no event shall NXP Semiconductors be liable for any indirect, incidental, punitive, special or consequential damages (including - without limitation - lost profits, lost savings, business interruption, costs related to the removal or replacement of any products or rework charges) whether or not such damages are based on tort (including negligence), warranty, breach of contract or any other legal theory. Notwithstanding any damages that customer might incur for any reason whatsoever, NXP Semiconductors' aggregate and cumulative liability towards customer for the products described herein shall be limited in accordance with the Terms and conditions of commercial sale of NXP Semiconductors.

Right to make changes — NXP Semiconductors reserves the right to make changes to information published in this document, including without limitation specifications and product descriptions, at any time and without notice. This document supersedes and replaces all information supplied prior to the publication hereof.

Suitability for use — NXP Semiconductors products are not designed, authorized or warranted to be suitable for use in life support, life-critical or safety-critical systems or equipment, nor in applications where failure or malfunction of an NXP Semiconductors product can reasonably be expected to result in personal injury, death or severe property or environmental damage. NXP Semiconductors and its suppliers accept no liability for inclusion and/or use of NXP Semiconductors products in such equipment or applications and therefore such inclusion and/or use is at the customer's own risk.

Applications — Applications that are described herein for any of these products are for illustrative purposes only. NXP Semiconductors makes no representation or warranty that such applications will be suitable for the specified use without further testing or modification. Customers are responsible for the design and operation of their applications and products using NXP Semiconductors products, and NXP Semiconductors accepts no liability for any assistance with applications or customer product design. It is customer's sole responsibility to determine whether the NXP Semiconductors product is suitable and fit for the customer's applications and products planned, as well as for the planned application and use of customer's third party customer(s). Customers should provide appropriate design and operating safeguards to minimize the risks associated with their applications and products. NXP Semiconductors does not accept any liability related to any default, damage, costs or problem which is based on any weakness or default in the customer's applications or products, or the application or use by customer's third party customer(s). Customer is responsible for doing all necessary testing for the customer's applications and products using NXP Semiconductors products in order to avoid a default of the applications and the products or of the application or use by customer's third party customer(s). NXP does not accept any liability in this respect.

Limiting values — Stress above one or more limiting values (as defined in the Absolute Maximum Ratings System of IEC 60134) will cause permanent damage to the device. Limiting values are stress ratings only and (proper) operation of the device at these or any other conditions above those given in the Recommended operating conditions section (if present) or the Characteristics sections of this document is not warranted. Constant or repeated exposure to limiting values will permanently and irreversibly affect the quality and reliability of the device.

Terms and conditions of commercial sale — NXP Semiconductors products are sold subject to the general terms and conditions of commercial sale, as published at <http://www.nxp.com/profile/terms>, unless otherwise agreed in a valid written individual agreement. In case an individual agreement is concluded only the terms and conditions of the respective agreement shall apply. NXP Semiconductors hereby expressly objects to applying the customer's general terms and conditions with regard to the purchase of NXP Semiconductors products by customer.

No offer to sell or license — Nothing in this document may be interpreted or construed as an offer to sell products that is open for acceptance or the grant, conveyance or implication of any license under any copyrights, patents or other industrial or intellectual property rights.

GreenChip SMPS primary side control IC with QR/DCM operation and X-capacitor discharge

Quick reference data — The Quick reference data is an extract of the product data given in the Limiting values and Characteristics sections of this document, and as such is not complete, exhaustive or legally binding.

Export control — This document as well as the item(s) described herein may be subject to export control regulations. Export might require a prior authorization from competent authorities.

Non-automotive qualified products — Unless this data sheet expressly states that this specific NXP Semiconductors product is automotive qualified, the product is not suitable for automotive use. It is neither qualified nor tested in accordance with automotive testing or application requirements. NXP Semiconductors accepts no liability for inclusion and/or use of non-automotive qualified products in automotive equipment or applications. In the event that customer uses the product for design-in and use in automotive applications to automotive specifications and standards, customer (a) shall use the product without NXP Semiconductors' warranty of the product for such automotive applications, use and specifications, and (b) whenever

customer uses the product for automotive applications beyond NXP Semiconductors' specifications such use shall be solely at customer's own risk, and (c) customer fully indemnifies NXP Semiconductors for any liability, damages or failed product claims resulting from customer design and use of the product for automotive applications beyond NXP Semiconductors' standard warranty and NXP Semiconductors' product specifications.

Translations — A non-English (translated) version of a document is for reference only. The English version shall prevail in case of any discrepancy between the translated and English versions.

17.4 Trademarks

Notice: All referenced brands, product names, service names and trademarks are the property of their respective owners.

GreenChip — is a trademark of NXP Semiconductors N.V.

Tables

Tab. 1.	Ordering information	3	Tab. 6.	Recommended operating conditions	18
Tab. 2.	Marking codes	3	Tab. 7.	Thermal characteristics	19
Tab. 3.	Pin description	5	Tab. 8.	Characteristics	19
Tab. 4.	Protections	10	Tab. 9.	Abbreviations	29
Tab. 5.	Limiting values	17	Tab. 10.	Revision history	30

Figures

Fig. 1.	TEA19363T block diagram	4	Fig. 15.	Detection voltage (pin PROTECT) as a function of temperature	24
Fig. 2.	TEA19363T pin configuration (SO10)	5	Fig. 16.	Switching frequency as a function of temperature	24
Fig. 3.	Start-up sequence	7	Fig. 17.	Overpower protection voltage (pin ISENSE) as a function of temperature	25
Fig. 4.	Modes of operation	7	Fig. 18.	Overpower protection voltage (at $I_{AUX} = 1.46$ mA) as a function of temperature	25
Fig. 5.	Mains voltage measuring	8	Fig. 19.	Output current (pin PROTECT) as a function of temperature	26
Fig. 6.	Detecting mains connection by a positive dV/dt	9	Fig. 20.	Overvoltage protection voltage (pin AUX) as a function of temperature	26
Fig. 7.	AUX pin used for demagnetization and input and output voltage measurement	9	Fig. 21.	TEA19363T application diagram	27
Fig. 8.	Overpower protection curve	11	Fig. 22.	TEA19363T application diagram with TEA190xT	27
Fig. 9.	Optobias regulation	13	Fig. 23.	Package outline SOT1437-1 (SO10)	28
Fig. 10.	Burst mode operation	14			
Fig. 11.	Transient response in burst mode	15			
Fig. 12.	Upper and lower limits of burst frequency	15			
Fig. 13.	start-up voltage as a function of temperature	23			
Fig. 14.	Undervoltage lockout threshold voltage as a function of temperature	23			

Contents

1 General description 1

2 Features and benefits2

2.1 General features2

2.2 Green features2

2.3 Protection features2

3 Applications2

4 Ordering information 3

5 Marking3

6 Block diagram 4

7 Pinning information 5

7.1 Pinning5

7.2 Pin description5

8 Functional description6

8.1 Supply management6

8.2 Start-up and UnderVoltage LockOut (UVLO)6

8.3 Modes of operation7

8.4 Mains voltage measuring8

8.5 Auxiliary winding9

8.6 Protections 10

8.6.1 OverPower Protection (OPP)10

8.6.2 OverVoltage Protection (OVP; pins AUX and VCCL) 11

8.6.3 Protection input (PROTECT pin) 11

8.6.4 OverTemperature Protection (OTP)12

8.6.5 Maximum on-time 12

8.6.6 Safe restart 12

8.7 Optobias regulation (CTRL pin) 13

8.8 Burst mode operation 14

8.9 Soft start-up (ISENSE pin)15

8.10 Driver (DRIVER pin) 16

9 Limiting values 17

10 Recommended operating conditions 18

11 Thermal characteristics 19

12 Characteristics 19

12.1 Typical temperature performance characteristics23

12.1.1 Start-up voltage 23

12.1.2 Undervoltage lockout threshold voltage23

12.1.3 Detection voltage (pin PROTECT)24

12.1.4 Switching frequency24

12.1.5 Overpower protection voltage (pin ISENSE)25

12.1.6 Overpower protection (at IAUX = 1.46 mA) 25

12.1.7 Output current (pin PROTECT) 26

12.1.8 Overvoltage protection voltage (pin AUX)26

13 Application information27

14 Package outline28

15 Abbreviations 29

16 Revision history 30

17 Legal information 31

Please be aware that important notices concerning this document and the product(s) described herein, have been included in section 'Legal information'.

© NXP Semiconductors N.V. 2016.

All rights reserved.

For more information, please visit: <http://www.nxp.com>

For sales office addresses, please send an email to: salesaddresses@nxp.com

Date of release: 20 October 2016

Document identifier: TEA19363T

Looking for pricing, stock, or lifecycle information?

Click below to explore more details on WIN SOURCE:

- ⊖ [View TEA19363T/1J on WIN SOURCE](#)
- ⊖ [NXP / Nexperia Information](#)

Optimize Your Supply Chain with WIN SOURCE Solutions

- ✓ Global Sourcing Solution
- ✓ Obsolete Management
- ✓ Cost Control Management
- ✓ Shortage Management
- ✓ Alternative Solution
- ✓ Excess Inventory Management