



THE DATASHEET OF HM2108NLT



-125°C

AT 245°C REFLOW PROFILE

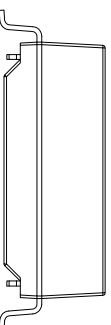
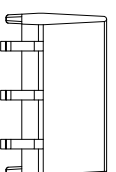
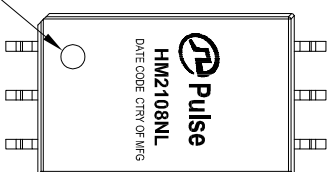
MOISTURE SENSITIVE

MINIMUM THROUGH REFLOW SOLDER

ADD A "T" SUFFIX

(IF THE PART NUMBER CONTAINS AN "L" BECOMES HXXXXXXXXNLT).

PIN 1
ORIENTATION



FINAL OUTLINE

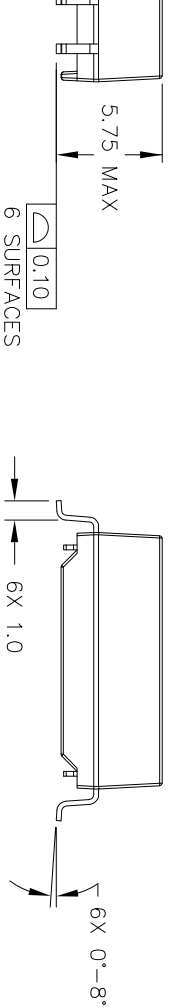
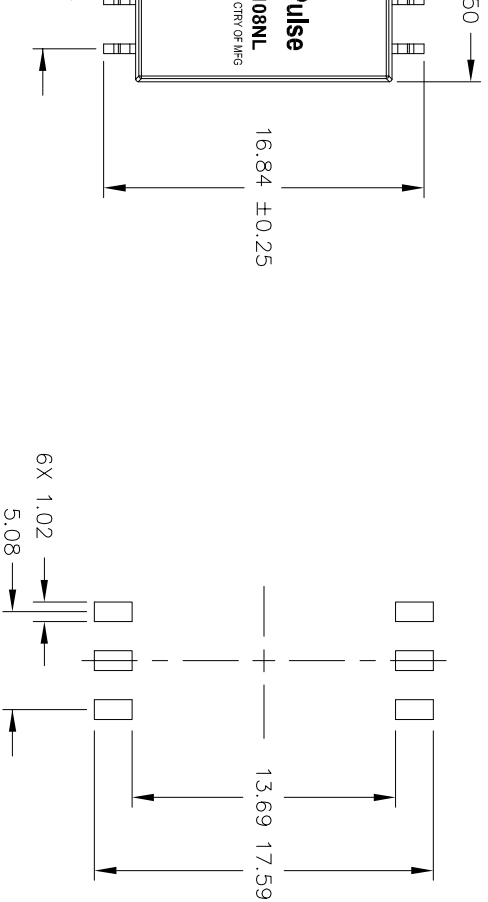
rights reserved. Pulse confidential & proprietary. (09/01/17)

A DRAWING HM2108NL-P3	PS DRAWING PS-00249.003-01	SHEET 1 OF 5	PART NO. HM2108NL	DATASHEET REV. D
--------------------------	-------------------------------	-----------------	----------------------	---------------------

ELECTRICAL CHARACTERISTICS AT +25°C UNLESS OTHER SPECIFIED
(FOR REFERENCE ONLY. USED FOR CUSTOMER INFORMATION.)

PARAMETER	SPECIFICATIONS	
QUALIFICATION	PER AEC-Q200	
DESIGN CONSTRUCTION	BASIC INSULATION PER ISO6469/IEC60664	
CREEPAGE DISTANCE	> 11mm	
OPERATING TEMPERATURE	-40°C TO +125°C	
TURNS RATIO	1.00 ± 2%	
POLARITY	PER SCHEMATIC	
DC RESISTANCE	TRANSFORMER SIDE	CM CHOKE SIDE
	0.45 OHMS MAX	0.85 OHMS MAX
▽ INDUCTANCE (OCL) AT 100 KHZ, 100 mV	135 uH MIN, 370 uH MAX (-40°C≤T≤-30°C) 150 uH MIN, 370 uH MAX (-30°C<T≤125°C)	
LEAKAGE INDUCTANCE	0.50 uH MAX @ 100 KHZ	
▽ INSERTION LOSS	0.35 DB MAX @ 4 MHZ	
RETURN LOSS (Z OUT = 100 OHM ±1%)	20 DB MIN @ 4 MHZ	
COMMON MODE REJECTION RATIO	1-10 MHZ	10-1000 MHZ
	-35 DB MIN	-20 DB MIN
▽ INPUT - OUTPUT ISOLATION	4300 VDC FOR 60 SECONDS WITH 1.0 mA MAX OF LEAKAGE CURRENT	
INSULATION RESISTANCE	400 MEGAOHMS MINIMUM	
WORKING VOLTAGE	1000 VDC FOR 15 YEARS	

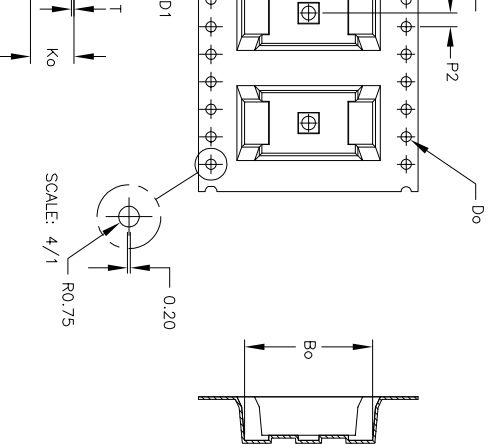
NOTE: "▽" IS SPECIAL CHARACTERISTIC.



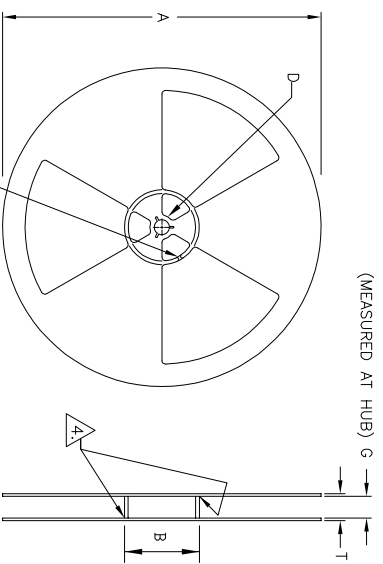
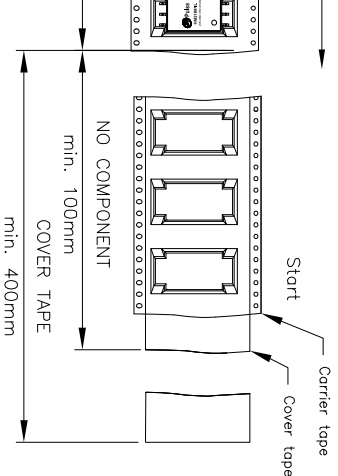
FOLLOWING

rights reserved. Pulse confidential & proprietary. (09/01/17)

QTY	DRAWING	PS DRAWING	SHEET	PART NO.	DATASHEET REV.
2108NL-P3		PS-00249.003-01	3 OF 5	HM2108NL	D

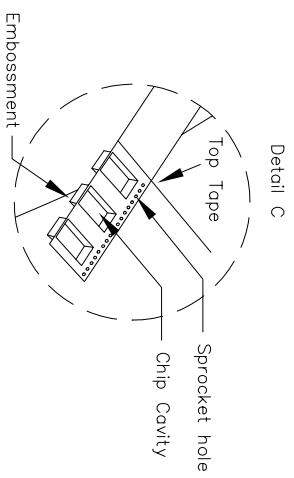
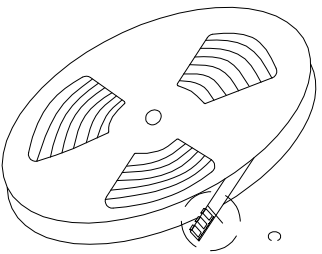


F	E	Do	D1	Po	P2	T
14.2	1.75	1.50	2.0	4.00	2.00	0.40
± 0.10	± 0.10	$+0.10$ -0.00	± 0.10	± 0.10	± 0.10	± 0.05



TAPE SLOT IN CORE FOR TAPE START WIDTH 394 MINIMUM DEPTH (SLOT ONLY REQUIRED FOR .005 AND .007)

Tolerance	A	B	D	T	G	G
Tape width mm	330.00	min.	min.	max.	min.	max.
		100.00	20.20	38.4	32.4	34.4



rights reserved. Pulse confidential & proprietary. (09/01/17)

A DRAWING	PS DRAWING	SHEET	PART NO.	DATASHEET REV.
2108NL-P3	PS-00249.003-01	4 OF 5	HM2108NL	D
PHON: USA:858 674 8100, GERMANY:49 7032 78060, SINGAPORE:65 6287 8998, SHANGHAI:86 21 62787060, TAIWAN:886 3 4356768				

DESCRIPTION

CON AND ISOLATION;
 REDUCTION AND CREEPAGE DISTANCE, INSULATION RESISTANCE
 AND PACKING SPECIFICATION
 AND UPDATE OCL ;
 SPECIFICATION FROM 6X 1.00 TO 6X 1.0


rights reserved. Pulse confidential & proprietary. (09/01/17)

DRAWING	PS DRAWING	SHEET	PART NO.	DATASHEET REV.
2108NL-P3	PS-00249.003-01	5 OF 5	HM2108NL	D

Looking for pricing, stock, or lifecycle information?

Click below to explore more details on WIN SOURCE:

 [View HM2108NLT on WIN SOURCE](#)

 [Pulse Information](#)

Optimize Your Supply Chain with WIN SOURCE Solutions

-  Global Sourcing Solution
-  Obsolete Management
-  Cost Control Management
-  Shortage Management
-  Alternative Solution
-  Excess Inventory Management