

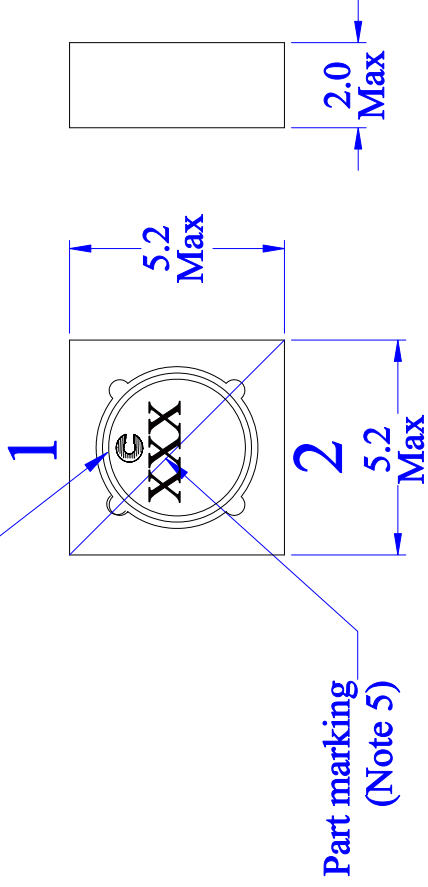


**RECOMMENDED  
2 PAD LAYOUT**

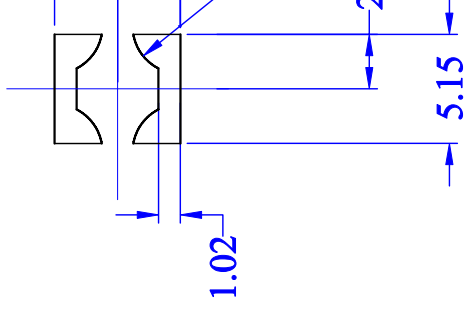
**SIDE VIEW**

**TOP VIEW**

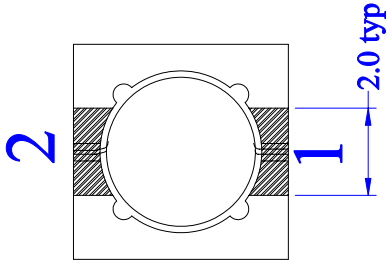
Pin # 1 identifier



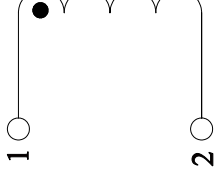
Part marking  
(Note 5)



**BOTTOM VIEW**



**SCHEMA**



**Notes:**

- 1) All Dimensions are in millimeters unless otherwise specified.
- 2) All soldering surfaces to be coplanar within 0.10 millimeters.
- 3) See Page 4 for Letter Designation Table
- 4) PCB tolerances are +/- 0.2 unless stated otherwise.
- 5) Part Marking: Line 1---3 Digit Marking-- (1st digit: Indicates inductance value per letter designation table on page 4); (2nd digit: Bi-weekly production date code); (3rd digit: Last digit of year produced) **O** (Indicates Size)
- 6) RoHS Compliant

**Cooper**

1225 Broke

Shielded I

2.0 mm h

Mechanic

Size

A

Draw

Revisi

## CUSTOMER INFORMATION

### 2.0mm Shielded Drum Core (SD20C) Family Table

Part Number	Rated Inductance (µH)	OCL nominal +/-20% (µH)	Part Marking Designator	<u>I<sub>RMS</sub></u> Amperes for approximately a ΔT of 40°C. above 85°C ambient	<u>I<sub>SAT</sub></u> Amperes for approximate rolloff (@ 20
SD20C-R47	0.47	0.490	A	3.59	4.00
SD20C-1R2	1.20	1.21	B	3.07	2.55
SD20C-1R5	1.50	1.69	C	2.88	2.15
SD20C-2R2	2.20	2.25	D	2.45	1.87
SD20C-3R3	3.30	3.61	E	2.17	1.47
SD20C-4R7	4.70	4.41	F	2.05	1.33
SD20C-6R2	6.20	6.25	G	1.89	1.12
SD20C-8R2	8.20	8.41	H	1.61	0.966
SD20C-100	10.0	9.61	J	1.53	0.903
SD20C-150	15.0	15.21	K	1.25	0.718
SD20C-220	22.0	22.09	L	1.12	0.596
SD20C-330	33.0	32.49	M	0.913	0.491
SD20C-470	47.0	47.61	N	0.745	0.406
SD20C-680	68.0	68.89	O	0.610	0.337
SD20C-820	82.0	82.81	P	0.576	0.308
SD20C-101	100	98.01	Q	0.495	0.283
SD20C-151	150	151.3	R	0.435	0.228
SD20C-221	220	222.0	S	0.356	0.188
SD20C-331	330	327.6	T	0.294	0.155
SD20C-471	470	470.9	U	0.263	0.129
SD20C-681	680	681.2	V	0.216	0.107
SD20C-821	820	823.7	W	0.204	0.098
SD20C-102	1000	1004.9	X	0.172	0.088

**Electrical Requirement Notes:** 1) Test Parameters: 100KHz, 0.25Vrms 2) DCR @ 20°C

**Part number definition:**

First 4 characters = Product code and size.

Last 3 characters = Inductance in µH. R=decimal point.

If no R is present third character = # of zeros.

(1) Units supplied in tape and reel packaging. 13" reels 2900 parts per reel. Meets EIA-481 standard

**Cooper Electr**  
1225 Broken Sound Pl

**Shielded Drum**  
**2.0 mm height.**  
Electrical Specifi

**Option Code (Suffix)**

-R

**Description**

RoHS Compliant Version

SIZE



A

Drawing I

Revision I

## Looking for pricing, stock, or lifecycle information?

Click below to explore more details on WIN SOURCE:

-  [View SD20C-102-R on WIN SOURCE](#)
-  [Eaton Bussmann Information](#)

## Optimize Your Supply Chain with WIN SOURCE Solutions

-  Global Sourcing Solution
-  Obsolete Management
-  Cost Control Management
-  Shortage Management
-  Alternative Solution
-  Excess Inventory Management