



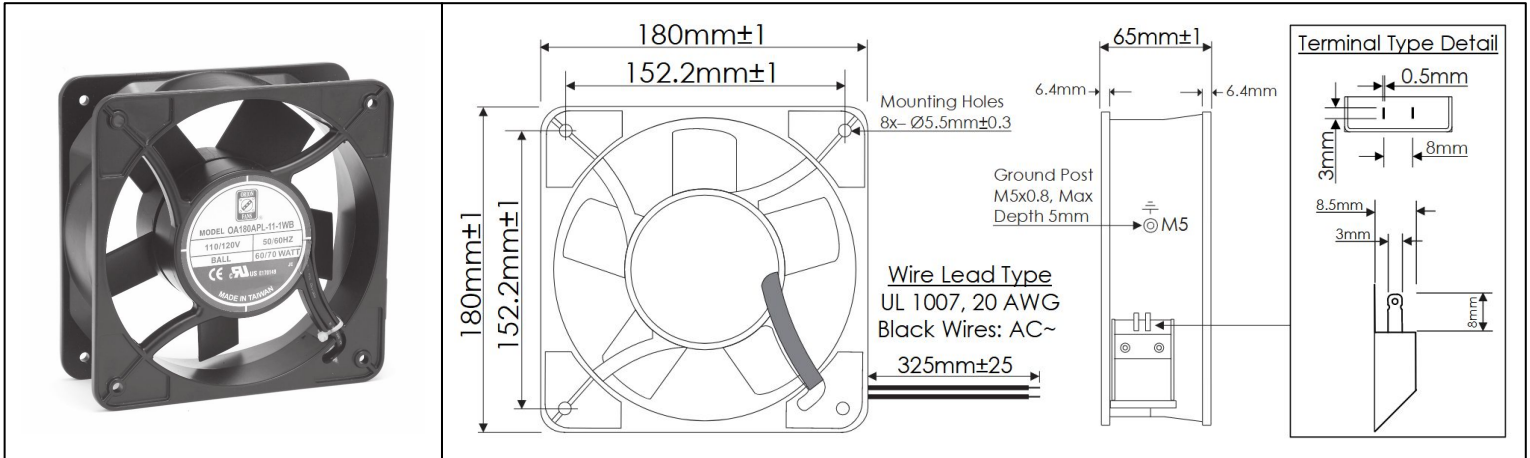
**THE DATASHEET OF  
OA180APL-11-1TB**



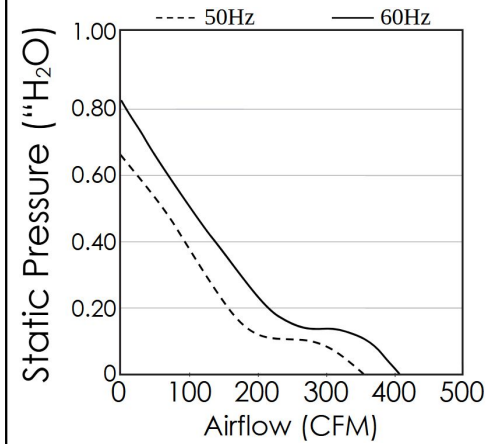
# OA180APL Series



AC Fans - 115, 230V  
180mm x 65mm (7.1" x 2.5")



<b>Frame</b>	Die Cast Aluminum, Black Finish	<b>Operating Temperature</b> -20°C ~ +70°C  <b>Storage Temperature</b> -40°C ~ +100°C  <b>Life Expectancy</b> 90,000 Hours (L10 at 35°C)  Weight: 3.96 lbs.
<b>Impeller</b>	Steel Alloy, Black Finish	
<b>Connection</b>	Lead Wires, 20 AWG, or Terminals	
<b>Motor</b>	AC, Capacitor Induction, Single Phase, Thermally Protected	
<b>Bearing System</b>	Ball Bearings	
<b>Dielectric Strength</b>	1500VAC/min, <5mA	
<b>Insulation Resistance</b>	≥10MΩ @ 500V DC	





Part Number	Rated Voltage (Volts AC)	Voltage Range (Volts AC)	Frequency (Hertz)	Input Power (Watts)	Rated Speed (RPM)	Max Airflow (CFM)	Noise Level (dBA)	Max Static Pressure ("H <sub>2</sub> O)
OA180APL-11-1*B	115	100 ~ 130	50 / 60	60 / 70	2775 / 3250	352 / 405	60.7	0.65 / 0.83
OA180APL-22-1*B	230	200 ~ 255	50 / 60	60 / 70	2775 / 3250	352 / 405	60.7	0.65 / 0.83

\*Insert "T" for Terminal type power connection, or "W" for Lead Wire type power connection.

## Looking for pricing, stock, or lifecycle information?

Click below to explore more details on WIN SOURCE:

-  [View OA180APL-11-1TB on WIN SOURCE](#)
-  [Orion Fans Information](#)

## Optimize Your Supply Chain with WIN SOURCE Solutions

-  Global Sourcing Solution
-  Obsolete Management
-  Cost Control Management
-  Shortage Management
-  Alternative Solution
-  Excess Inventory Management