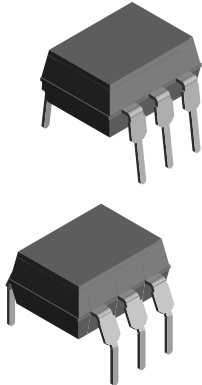
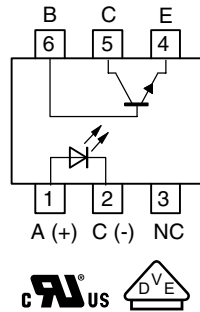


Optocoupler, Phototransistor Output, with Base Connection



17201_4



18537_5

DESCRIPTION

The CNY75A, CNY75B, CNY75C, CNY75GA, CNY75GB, CNY75GC consists of a phototransistor optically coupled to a gallium arsenide infrared-emitting diode in a 6 pin plastic dual inline package.

AGENCY APPROVALS

- UL1577, file no. E52744, double protection
- BSI: BS EN 41003, BS EN 60095 (BS 415), BS EN 60950 (BS 7002), pending
- DIN EN 60747-5-5 (VDE 0884)
- FIMKO (SETI): EN 60950, certificate no. FI25155

FEATURES

- Isolation materials according to UL 94-VO
- Pollution degree 2 (DIN/VDE 0110/resp. IEC 60664)
- Climatic classification 55/110/21 (IEC 60068 part 1)
- Low temperature coefficient of CTR
- CTR offered in 3 groups
- Rated isolation voltage (RMS includes DC) $V_{IOWM} = 600 V_{RMS}$ (848 V peak)
- Rated recurring peak voltage (repetitive) $V_{IORM} = 600 V_{RMS}$
- Rated impulse voltage (transient overvoltage) $V_{IOTM} = 6 kV_{peak}$
- Isolation test voltage (partial discharge test voltage) $V_{pd} = 1.6 kV$
- Creepage current resistance according to VDE 0303/ IEC 60112 comparative tracking index: $CTI \geq 325$
- Thickness through insulation $\geq 0.4 mm$
- Compliant to RoHS directive 2002/95/EC and in accordance to WEEE 2002/96/EC



RoHS COMPLIANT

APPLICATIONS

- Switch-mode power supplies
- Line receiver
- Computer peripheral interface
- Microprocessor system interface
- Circuits for safe protective separation against electrical shock according to safety class II (reinforced isolation):
 - for appl. class I - IV at mains voltage $\leq 300 V$
 - for appl. class I - III at mains voltage $\leq 600 V$ according to DIN EN 60747-5-5 (VDE 0884)

| ORDER INFORMATION ⁽¹⁾ | |
|----------------------------------|------------------------------------|
| PART | REMARKS |
| CNY75A | CTR 63 % to 125 %, DIP-6 |
| CNY75B | CTR 100 % to 200 %, DIP-6 |
| CNY75C | CTR 160 % to 320 %, DIP-6 |
| CNY75GA | CTR 63 % to 125 %, DIP-6, 400 mil |
| CNY75GB | CTR 100 % to 200 %, DIP-6, 400 mil |
| CNY75GC | CTR 160 % to 320 %, DIP-6, 400 mil |

Note

⁽¹⁾ G = leadform 10.16 mm; G is not marked on the body.



CNY75A, CNY75B, CNY75C, CNY75GA, CNY75GB, CNY75GC

Optocoupler, Phototransistor Output, Vishay Semiconductors
with Base Connection

| ABSOLUTE MAXIMUM RATINGS ⁽¹⁾ | | | | |
|---|-------------------------------|------------|---------------|-----------|
| PARAMETER | TEST CONDITION | SYMBOL | VALUE | UNIT |
| INPUT | | | | |
| Reverse voltage | | V_R | 5 | V |
| Forward current | | I_F | 60 | mA |
| Forward surge current | $t_p \leq 10 \mu s$ | I_{FSM} | 3 | A |
| Power dissipation | | P_{diss} | 70 | mW |
| Junction temperature | | T_j | 125 | °C |
| OUTPUT | | | | |
| Collector base voltage | | V_{CBO} | 70 | V |
| Collector emitter voltage | | V_{CEO} | 70 | V |
| Emitter collector voltage | | V_{ECO} | 7 | V |
| Collector current | | I_C | 50 | mA |
| Collector peak current | $t_p/T = 0.5, t_p \leq 10 ms$ | I_{CM} | 100 | mA |
| Power dissipation | | P_{diss} | 70 | mW |
| Junction temperature | | T_j | 125 | °C |
| COUPLER | | | | |
| AC isolation test voltage (RMS) | | V_{ISO} | 5000 | V_{RMS} |
| Total power dissipation | | P_{tot} | 200 | mW |
| Ambient temperature range | | T_{amb} | - 55 to + 110 | °C |
| Storage temperature range | | T_{stg} | - 55 to + 125 | °C |
| Soldering temperature ⁽²⁾ | 2 mm from case, $t \leq 10 s$ | T_{sld} | 260 | °C |

Notes

⁽¹⁾ $T_{amb} = 25 \text{ }^\circ\text{C}$, unless otherwise specified.

Stresses in excess of the absolute maximum ratings can cause permanent damage to the device. Functional operation of the device is not implied at these or any other conditions in excess of those given in the operational sections of this document. Exposure to absolute maximum ratings for extended periods of the time can adversely affect reliability.

⁽²⁾ Refer to wave profile for soldering conditions for through hole devices.

| ELECTRICAL CHARACTERISTICS ⁽¹⁾ | | | | | | | |
|---|---|------|-------------|------|------|------|---------------|
| PARAMETER | TEST CONDITION | PART | SYMBOL | MIN. | TYP. | MAX. | UNIT |
| INPUT | | | | | | | |
| Forward voltage | $I_F = 50 \text{ mA}$ | | V_F | | 1.25 | 1.6 | V |
| Reverse current | $V_R = 6 \text{ V}$ | | I_R | | | 10 | μA |
| Junction capacitance | $V_R = 0 \text{ V}, f = 1 \text{ MHz}$ | | C_j | | 50 | | pF |
| OUTPUT | | | | | | | |
| Collector base voltage | $I_C = 100 \mu\text{A}$ | | V_{CBO} | 70 | | | V |
| Collector emitter voltage | $I_C = 1 \text{ mA}$ | | V_{CEO} | 70 | | | V |
| Emitter collector voltage | $I_E = 100 \mu\text{A}$ | | V_{ECO} | 7 | | | V |
| Collector emitter leakage current | $V_{CE} = 20 \text{ V}, I_F = 0 \text{ A}$ | | I_{CEO} | | | 150 | nA |
| COUPLER | | | | | | | |
| Collector emitter saturation voltage | $I_F = 10 \text{ mA}, I_C = 1 \text{ mA}$ | | V_{CEsat} | | | 0.3 | V |
| Cut-off frequency | $V_{CE} = 5 \text{ V}, I_F = 10 \text{ mA}, R_L = 100 \Omega$ | | f_c | | 110 | | kHz |
| Coupling capacitance | $f = 1 \text{ MHz}$ | | C_k | | 0.6 | | pF |

Note

⁽¹⁾ $T_{amb} = 25 \text{ }^\circ\text{C}$, unless otherwise specified.

Minimum and maximum values were tested requirements. Typical values are characteristics of the device and are the result of engineering evaluations. Typical values are for information only and are not part of the testing requirements.

| CURRENT TRANSFER RATIO | | | | | | | |
|------------------------|---|---------|--------|------|------|------|------|
| PARAMETER | TEST CONDITION | PART | SYMBOL | MIN. | TYP. | MAX. | UNIT |
| I_C/I_F | $V_{CE} = 5\text{ V}, I_F = 1\text{ mA}$ | CNY75GA | CTR | 15 | | | % |
| | | CNY75GB | CTR | 30 | | | % |
| | | CNY75GC | CTR | 60 | | | % |
| | $V_{CE} = 5\text{ V}, I_F = 10\text{ mA}$ | CNY75GA | CTR | 63 | | 125 | % |
| | | CNY75GB | CTR | 100 | | 200 | % |
| | | CNY75GC | CTR | 160 | | 320 | % |

| SWITCHING CHARACTERISTICS | | | | | | | |
|---------------------------|---|---------|-----------|------|------|------|---------------|
| PARAMETER | TEST CONDITION | PART | SYMBOL | MIN. | TYP. | MAX. | UNIT |
| Current time | $V_{CC} = 5\text{ V}, R_L = 100\ \Omega$ | CNY75GA | I_F | | 10 | | mA |
| | | CNY75GB | I_F | | 10 | | mA |
| | | CNY75GC | I_F | | 10 | | mA |
| Delay time | $V_{CC} = 5\text{ V}, R_L = 100\ \Omega$ | CNY75GA | t_d | | 2 | | μs |
| | | CNY75GB | t_d | | 2.5 | | μs |
| | | CNY75GC | t_d | | 2.8 | | μs |
| Rise time | $V_{CC} = 5\text{ V}, R_L = 100\ \Omega$ | CNY75GA | t_r | | 2.5 | | μs |
| | | CNY75GB | t_r | | 3 | | μs |
| | | CNY75GC | t_r | | 4.2 | | μs |
| Fall time | $V_{CC} = 5\text{ V}, R_L = 100\ \Omega$ | CNY75GA | t_f | | 2.7 | | μs |
| | | CNY75GB | t_f | | 3.7 | | μs |
| | | CNY75GC | t_f | | 4.7 | | μs |
| Storage time | $V_{CC} = 5\text{ V}, R_L = 100\ \Omega$ | CNY75GA | t_s | | 0.3 | | μs |
| | | CNY75GB | t_s | | 0.3 | | μs |
| | | CNY75GC | t_s | | 0.3 | | μs |
| Turn-on time | $V_{CC} = 5\text{ V}, R_L = 100\ \Omega$ | CNY75GA | t_{on} | | 4.5 | | μs |
| | | CNY75GB | t_{on} | | 5.5 | | μs |
| | | CNY75GC | t_{on} | | 7 | | μs |
| Turn-off time | $V_{CC} = 5\text{ V}, R_L = 100\ \Omega$ | CNY75GA | t_{off} | | 3 | | μs |
| | | CNY75GB | t_{off} | | 4 | | μs |
| | | CNY75GC | t_{off} | | 5 | | μs |
| Turn-on time | $V_{CC} = 5\text{ V}, R_L = 1\text{ k}\Omega$ | CNY75GA | t_{on} | | 10 | | μs |
| | | CNY75GB | t_{on} | | 16.5 | | μs |
| | | CNY75GC | t_{on} | | 11 | | μs |
| Turn-off time | $V_{CC} = 5\text{ V}, R_L = 1\text{ k}\Omega$ | CNY75GA | t_{off} | | 25 | | μs |
| | | CNY75GB | t_{off} | | 20 | | μs |
| | | CNY75GC | t_{off} | | 37.5 | | μs |



CNY75A, CNY75B, CNY75C, CNY75GA, CNY75GB, CNY75GC

Optocoupler, Phototransistor Output, Vishay Semiconductors
with Base Connection

| MAXIMUM SAFETY RATINGS (1) | | | | | | |
|----------------------------|----------------|------------|------|------|------|------|
| PARAMETER | TEST CONDITION | SYMBOL | MIN. | TYP. | MAX. | UNIT |
| INPUT | | | | | | |
| Forward current | | I_F | | | 130 | mA |
| OUTPUT | | | | | | |
| Power dissipation | | P_{diss} | | | 265 | mW |
| COUPLER | | | | | | |
| Rated impulse voltage | | V_{IOTM} | | | 6 | kV |
| Safety temperature | | T_{si} | | | 150 | °C |

Note

(1) According to DIN EN 60747-5-5. This optocoupler is suitable for safe electrical isolation only within the safety ratings. Compliance with the safety ratings shall be ensured by means of suitable protective circuits.

| INSULATION RATED PARAMETERS | | | | | | |
|---|--|------------|-----------|------|------|----------|
| PARAMETER | TEST CONDITION | SYMBOL | MIN. | TYP. | MAX. | UNIT |
| Partial discharge test voltage - routine test | 100 %, $t_{test} = 1$ s | V_{pd} | 1.6 | | | kV |
| Partial discharge test voltage - lot test (sample test) | $t_{Tr} = 60$ s, $t_{test} = 10$ s, (see figure 1) | V_{IOTM} | 6 | | | kV |
| | | V_{pd} | 1.3 | | | kV |
| Insulation resistance | $V_{IO} = 500$ V | R_{IO} | 10^{12} | | | Ω |
| | $V_{IO} = 500$ V, $T_{amb} \leq 100$ °C | R_{IO} | 10^{11} | | | Ω |
| | $V_{IO} = 500$ V, $T_{amb} \leq 150$ °C (construction test only) | R_{IO} | 10^9 | | | Ω |

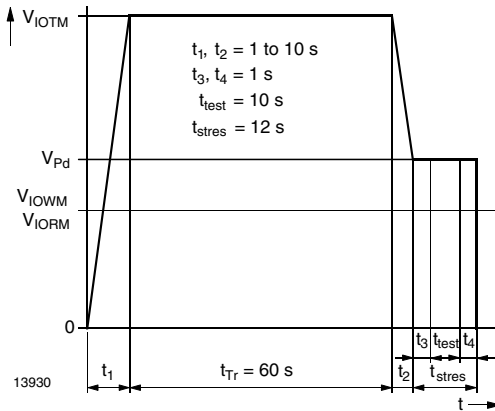


Fig. 1 - Test Pulse Diagram for Sample Test according to DIN EN 60747-5-5 (VDE 0884)/DIN EN 60747-; IEC60747

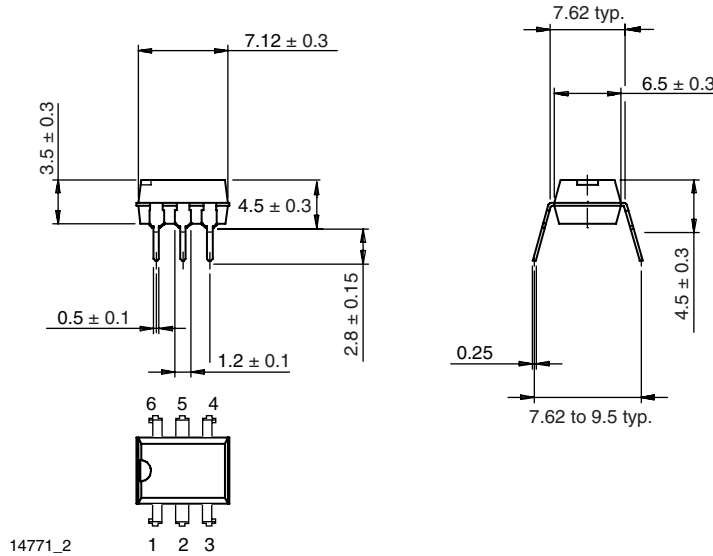
CNY75A, CNY75B, CNY75C, CNY75GA, CNY75GB, CNY75GC



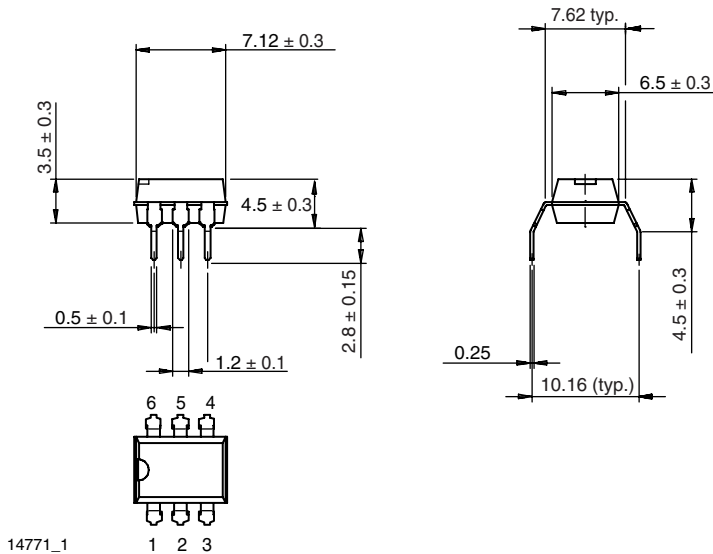
Vishay Semiconductors Optocoupler, Phototransistor Output,
with Base Connection

PACKAGE DIMENSIONS in millimeters

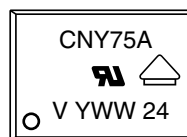
DIP-6



DIP-6, 400 mil



PACKAGE MARKING





Disclaimer

ALL PRODUCT, PRODUCT SPECIFICATIONS AND DATA ARE SUBJECT TO CHANGE WITHOUT NOTICE TO IMPROVE RELIABILITY, FUNCTION OR DESIGN OR OTHERWISE.

Vishay Intertechnology, Inc., its affiliates, agents, and employees, and all persons acting on its or their behalf (collectively, "Vishay"), disclaim any and all liability for any errors, inaccuracies or incompleteness contained in any datasheet or in any other disclosure relating to any product.

Vishay makes no warranty, representation or guarantee regarding the suitability of the products for any particular purpose or the continuing production of any product. To the maximum extent permitted by applicable law, Vishay disclaims (i) any and all liability arising out of the application or use of any product, (ii) any and all liability, including without limitation special, consequential or incidental damages, and (iii) any and all implied warranties, including warranties of fitness for particular purpose, non-infringement and merchantability.

Statements regarding the suitability of products for certain types of applications are based on Vishay's knowledge of typical requirements that are often placed on Vishay products in generic applications. Such statements are not binding statements about the suitability of products for a particular application. It is the customer's responsibility to validate that a particular product with the properties described in the product specification is suitable for use in a particular application. Parameters provided in datasheets and / or specifications may vary in different applications and performance may vary over time. All operating parameters, including typical parameters, must be validated for each customer application by the customer's technical experts. Product specifications do not expand or otherwise modify Vishay's terms and conditions of purchase, including but not limited to the warranty expressed therein.

Except as expressly indicated in writing, Vishay products are not designed for use in medical, life-saving, or life-sustaining applications or for any other application in which the failure of the Vishay product could result in personal injury or death. Customers using or selling Vishay products not expressly indicated for use in such applications do so at their own risk. Please contact authorized Vishay personnel to obtain written terms and conditions regarding products designed for such applications.

No license, express or implied, by estoppel or otherwise, to any intellectual property rights is granted by this document or by any conduct of Vishay. Product names and markings noted herein may be trademarks of their respective owners.

Looking for pricing, stock, or lifecycle information?

Click below to explore more details on WIN SOURCE:

 [View CNY75GB on WIN SOURCE](#)

 [Vishay Information](#)

Optimize Your Supply Chain with WIN SOURCE Solutions

-  Global Sourcing Solution
-  Obsolete Management
-  Cost Control Management
-  Shortage Management
-  Alternative Solution
-  Excess Inventory Management