



**THE DATASHEET OF
G2474CG**





HIGH POE+ (720mA) ENABLED TRANSFORMER 10/100/1000 BASE-T SINGLE PORT SURFACE MOUNT MAGNETICS

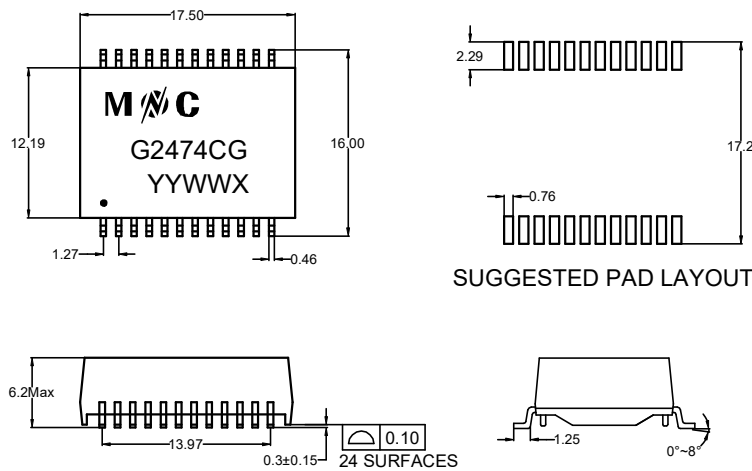
- Meets IEEE 802.3at & ANSI X3.263 Standards.
- Suitable For End-span and Mid-span PoE+ Applications.
- 10/100/1000 Base-T, Surface Mount Type, Open Header .
- 720mA Current Capability.
- RoHS Compliant.
- Operating temperature range: 0°C to +70°C.



Electrical Specifications @25°C

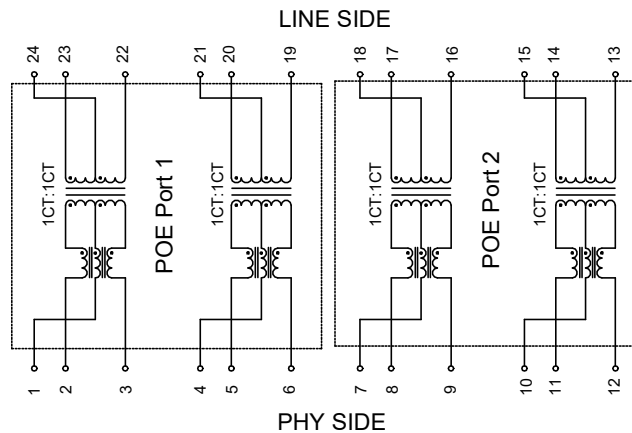
Part Number	OCL(μH Min) @100KHz, 0.2V	Turns Ratio (±5%)	Insertion Loss (dB Max)	Return Loss (dB Min)		Cross talk (dB Min)		CMRR (dB Min)	HI-POT (Vrms)
	With 13mA DC Bias		0.5-100MHz	0.5-40MHz	40.1-100MHz	0.5-40MHz	40.1-100MHz		
G2474CG	350	1CT:1CT	-1.1	-18	-12+20*log(f/80)	-35	-33+20*log(f/50)	30	1500

MECHANICAL



Unless otherwise specified all tolerances are:±0.25 in mm



SCHEMATICS



PAN SIZE: 400PCS/REEL
UNIT WEIGHT: 2.06g

Looking for pricing, stock, or lifecycle information?

Click below to explore more details on WIN SOURCE:

-  [View G2474CG on WIN SOURCE](#)
-  [Mentech Technology USA Inc. Information](#)

Optimize Your Supply Chain with WIN SOURCE Solutions

-  Global Sourcing Solution
-  Obsolete Management
-  Cost Control Management
-  Shortage Management
-  Alternative Solution
-  Excess Inventory Management