



**THE DATASHEET OF  
10118192-0001LF**





FCIconnect.com



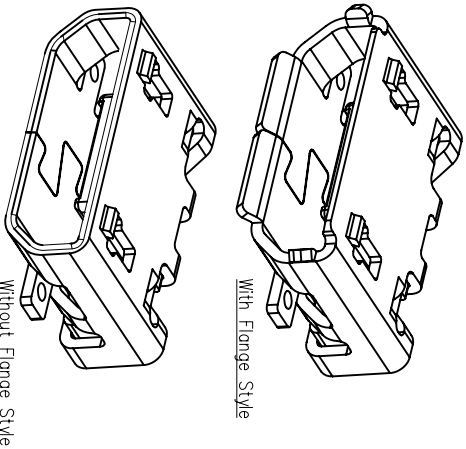
3



4

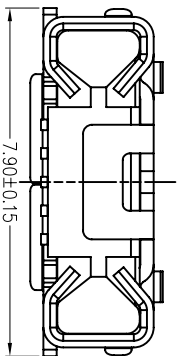
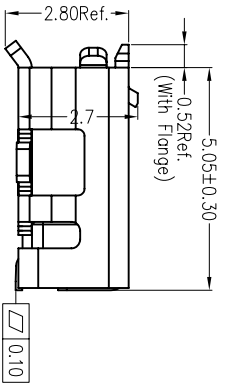
ARTW:

TITLE:

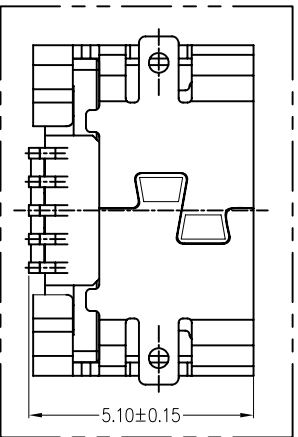
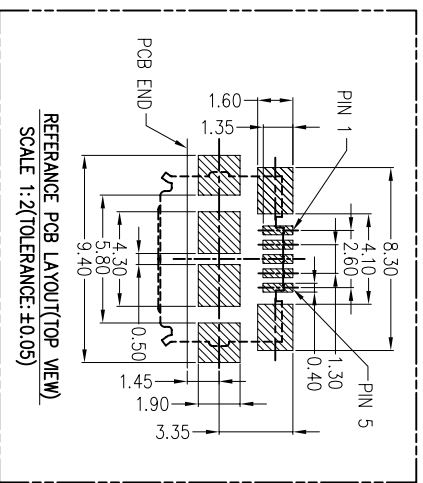


- NOTES:
1. MATERIAL:  
HOUSING: HIGH THERMOPLASTIC RESIN, UL 94V-0, COLOR: BLACK  
TERMINAL: COPPER ALLOY  
SHELL: STAINLESS
  2. FINISH:  
CONTACT AREA: GOLD PLATED  
CONTACT SOLDER AREA: GOLD FLASH  
SHELL: MATTE TIN PLATED  
UNDER NICKEL PLATED ALL OVER.
  3. PRODUCT SPECIFICATION: GS-12-641.
  4. PACKAGING SPECIFICATION: GS-14-2180.
  5. THE "LF" MEANS FOR LEAD FREE AND CAN WITHSTAND EXPOSE TO 260°C PEAK TEMPERATURE FOR 10 SECONDS IN IR REFLOW PROCESS.
  6. PART NUMBER: 10118192-000 X LF

- 1- WITH FLANGE
- 2- WITHOUT FLANGE



Item	Title	Q'TY
1	Shell	1
2	Terminal	5
3	InsertMolding	1



mat'l. code	surface	tolerance	projection	product family
	ASME Y14.5	ASME Y14.5		USB

ltr	ecn	no	dr	date	tolerances unless otherwise specified	angles	title
A	LS	10	21	11	.XX±0.38	B	MICRO USB B TYPE RECEPTACLE
B	EX-H-20835	NICK	5	07/15	.XX±0.25	E	
					.XXX±0.10		
	dr	JASON HSU		05/21/11			
	enfr	JASON HSU		05/21/11			
	cht	JASON HSU		05/21/11			
	appd	GARY HSEH		05/21/11			
sheet	revision	B					
index	sheet	1					

title

product family USB

dwg no 10118192 sheet 1 of 1 size A4

type CUSTOMER Drawing

5

A

B

## Looking for pricing, stock, or lifecycle information?

Click below to explore more details on WIN SOURCE:

- [View 10118192-0001LF on WIN SOURCE](#)
- [Amphenol FCI Information](#)

## Optimize Your Supply Chain with WIN SOURCE Solutions

- ✓ Global Sourcing Solution
- ✓ Obsolete Management
- ✓ Cost Control Management
- ✓ Shortage Management
- ✓ Alternative Solution
- ✓ Excess Inventory Management