

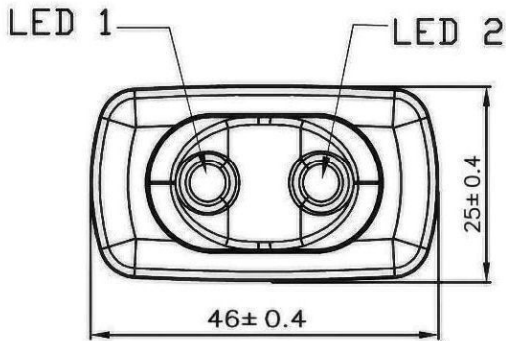


**THE DATASHEET OF
GRB263D2BBGR2D1**

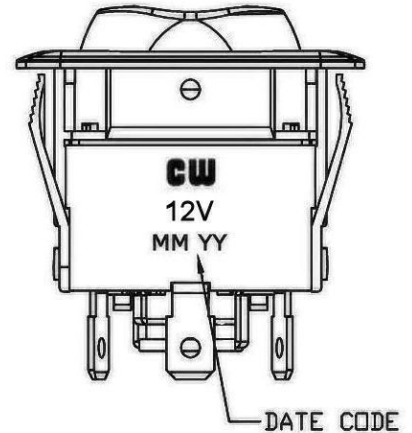
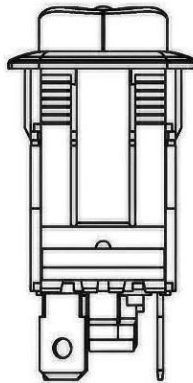
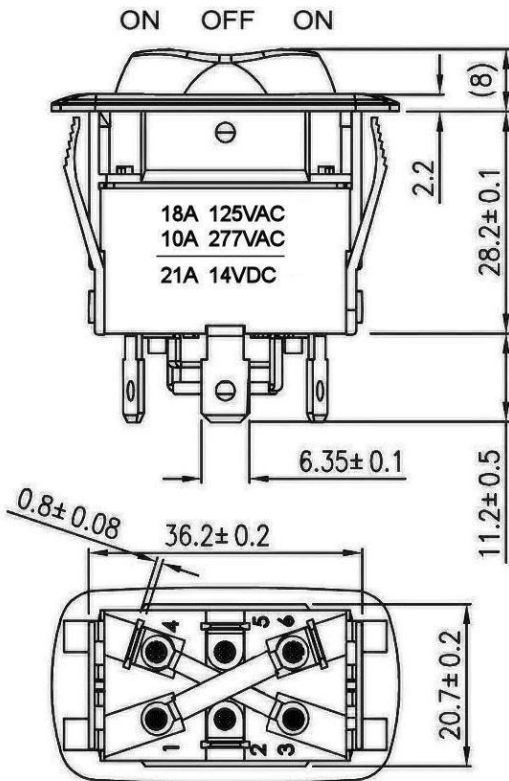


THIS INFORMATION IS CONFIDENTIAL AND PROPRIETARY TO CW INDUSTRIES INCORPORATED AND ITS AFFILIATES. IT MAY NOT BE DISCLOSED TO ANYONE, OTHER THAN CW INDUSTRIES PERSONNEL, WITHOUT WRITTEN AUTHORIZATION FROM CW INDUSTRIES INCORPORATED, SOUTHAMPTON, PENNSYLVANIA USA.

Rating	18A 125VAC 10A 277VAC	Mounting Hole	Circuit Diagram											
	21A 14VDC													
Configured For	12VDC 14V													
Contact Resistance	50m ohm Max.													
Insulation Resistance	DC 500V 100M ohm Min.													
Dielectric Strength	AC 1500V 1 minute													
Operation Temperature	-20°C~85°C	<table border="1"> <tr> <th>Thickness</th> <th>X</th> <th>Y</th> </tr> <tr> <td>0.75~1.25</td> <td>21.2+0.1</td> <td>36.6+0.1</td> </tr> <tr> <td>1.25~2</td> <td>21.2+0.1</td> <td>36.8+0.1</td> </tr> <tr> <td>2~3</td> <td>21.2+0.1</td> <td>37.0+0.1</td> </tr> </table>	Thickness	X	Y	0.75~1.25	21.2+0.1	36.6+0.1	1.25~2	21.2+0.1	36.8+0.1	2~3	21.2+0.1	37.0+0.1
Thickness	X	Y												
0.75~1.25	21.2+0.1	36.6+0.1												
1.25~2	21.2+0.1	36.8+0.1												
2~3	21.2+0.1	37.0+0.1												
Switch Function	4P SPDT ON - OFF - ON Lamp Dependent													
Lamp Type	LED 12VDC 14V w/resistor													



Material:
 Frame: Black, Nylon#66
 Actuator: Black, Nylon#66
 LED 1: Green
 LED 2: Red
 Printed: None



RoHS Compliant

- 3 Added dependent to function & Lamp Type. 12/15/2011.
- 2 Updated circuit diagram. Changed rating on housing to 21A 14vdc & removed IP-56 note. 1/07/11
- 1 SPDT Was SPST & Removed AC Ratings & added DC Ratings. 8/17/10

CW INDUSTRIES
 Southampton, Pa. 18966
 Tel 215.355.7080/www.cwind.com

Date Drawn: 5/18/10

Rev. 3

Unit: mm



Checked By: *G. Gold*

Title: **ROCKER SWITCH**

CW P/N: **GRB263D2BBGR2D1**

Looking for pricing, stock, or lifecycle information?

Click below to explore more details on WIN SOURCE:

-  [View GRB263D2BBGR2D1 on WIN SOURCE](#)
-  [CW Industries Information](#)

Optimize Your Supply Chain with WIN SOURCE Solutions

-  Global Sourcing Solution
-  Obsolete Management
-  Cost Control Management
-  Shortage Management
-  Alternative Solution
-  Excess Inventory Management