



THE DATASHEET OF ST600K





ST600K

LOW VOLTAGE NPN POWER TRANSISTOR

PRELIMINARY DATA

Features

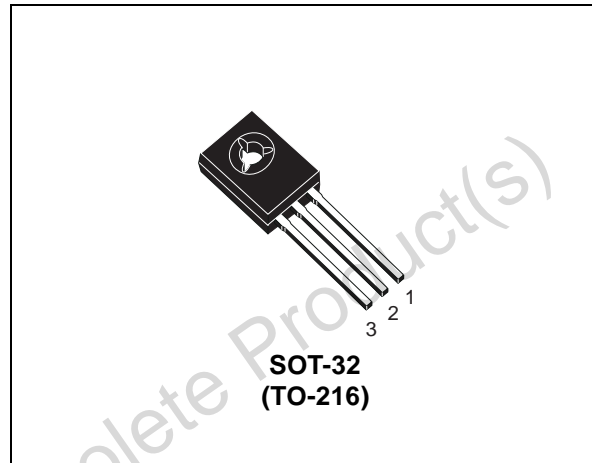
- LOW SATURATION VOLTAGE

Applications

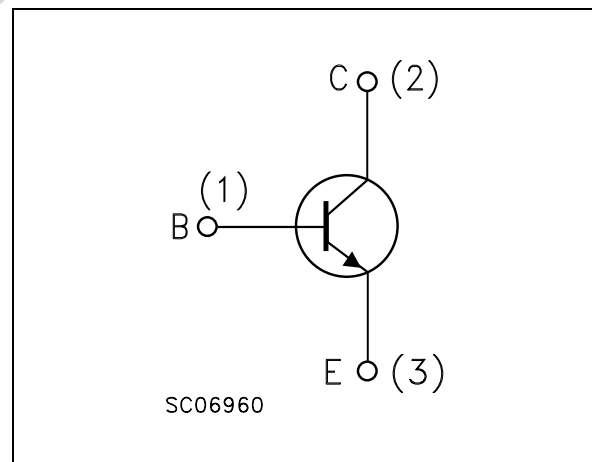
- SCANNING VELOCITY MODULATION IN CRT DISPLAYS
- MEDIUM POWER LINEAR AND SWITCHING APPLICATIONS

Description

The ST600K is manufactured by low voltage Epitaxial Base technology and it is housed in SOT-32 plastic package. The complementary PNP type is ST631K.



Internal Schematic Diagram



Order Codes

| Part Number | Marking | Package | Packing |
|-------------|---------|---------|---------|
| ST600K | 600K | SOT-32 | TUBE |

1 Absolute Maximum Ratings

Table 1. Absolute Maximum Rating

| Symbol | Parameter | Value | Unit |
|-----------|---|------------|------------|
| V_{CBO} | Collector-Base Voltage ($I_E = 0$) | 120 | V |
| V_{CEO} | Collector-Emitter Voltage ($I_B = 0$) | 120 | V |
| V_{EBO} | Collector-Base Voltage ($I_C = 0$) | 5 | V |
| I_C | Collector Current | 1 | A |
| I_{CM} | Collector Peak Current ($t_P < 5ms$) | 2 | A |
| I_B | Base Current | 0.5 | A |
| I_{BM} | Base Peak Current ($t_P < 5ms$) | 1 | A |
| P_{TOT} | Total dissipation at $T_c = 25^\circ C$ | 12.5 | W |
| T_{STG} | Storage Temperature | -65 to 150 | $^\circ C$ |
| T_J | Max. Operating Junction Temperature | 150 | $^\circ C$ |

Table 2. Thermal Data

| Symbol | Parameter | Value | Unit |
|----------------|--------------------------------------|-------|--------------|
| $R_{thJ-case}$ | Thermal Resistance Junction-Case Max | 10 | $^\circ C/W$ |
| $R_{thJ-amb}$ | Thermal Resistance Junction-Case Max | 100 | $^\circ C/W$ |

2 Electrical Characteristics

Table 3. Electrical Characteristics ($T_{CASE} = 25^{\circ}C$; unless otherwise specified)

| Symbol | Parameter | Test Conditions | Min. | Typ. | Max. | Unit |
|---------------------------------|---|--|-----------|-------------------|------|----------------|
| I_{CBO} | Collector Cut-off Current ($I_E = 0$) | $V_{CB} = 50V$ | | | 1 | μA |
| I_{EBO} | Emitter Cut-off Current ($I_C = 0$) | $V_{EB} = 4V$ | | | 1 | μA |
| $V_{(BR)CBO}$ <i>Note: 1</i> | Collector-Base Breakdown Voltage ($I_E = 0$) | $I_C = 10\mu A$ | 120 | | | V |
| $V_{(BR)CEO}$ <i>Note: 1</i> | Collector-Emitter Breakdown Voltage ($I_C = 0$) | $I_E = 1\text{ mA}$ | 120 | | 1 | V |
| $V_{(BR)EBO}$ <i>Note: 1</i> | Collector-Emitter Breakdown Voltage ($I_B = 0$) | $I_C = 10\text{ mA}$ | 120 | | 1 | V |
| $V_{CE(sat)}$ <i>Note: 1</i> | Collector-Emitter Saturation Voltage | $I_C = 500\text{ mA}$ $I_B = 50\text{ mA}$ | | | 0.5 | V |
| $V_{BE(sat)}$ <i>Note: 1</i> | Base-Emitter Saturation Voltage | $I_C = 500\text{ mA}$ $I_B = 50\text{ mA}$ | | | 1.2 | V |
| h_{FE} <i>Note: 1</i> | DC Current Gain | $I_C = 100\text{ mA}$ $V_{CE} = 5\text{ V}$ $I_C = 500\text{ mA}$ $V_{CE} = 5\text{ V}$ | 120 50 | | 280 | |
| C_{CBO} | Collector-Base Capacitance ($I_B = 0$) | $V_{CB} = 10\text{ V}$ $f = 1\text{ MHz}$ | | 40 | | pF |
| t_{on} t_{off} t_s | INDUCTIVE LOAD Turn-On Time Turn-Off Time Storage Time | $I_C = 500\text{ mA}$ $V_{CC} = 12V$ $I_{B1} = - I_{B2} = 50\text{ mA}$ $t_p = 20\mu s$ | | 100 500 800 | | ns ns ns |

Note: 1 Pulsed duration = 300 μs , duty cycle $\leq 1.5\%$.

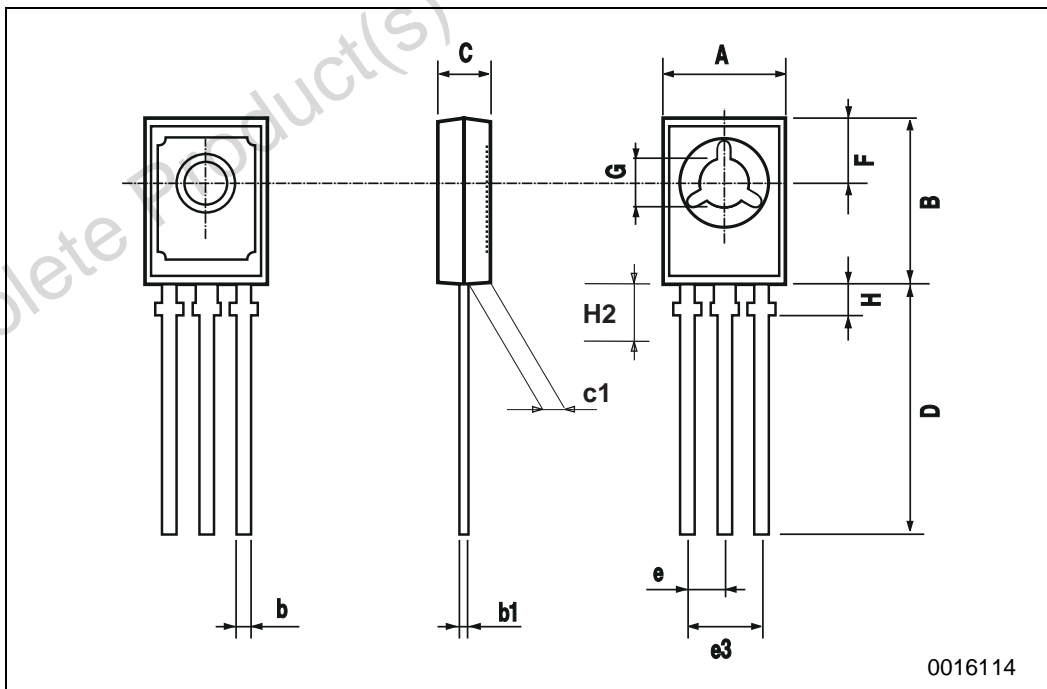
3 Package Mechanical Data

In order to meet environmental requirements, ST offers these devices in ECOPACK® packages. These packages have a Lead-free second level interconnect . The category of second level interconnect is marked on the package and on the inner box label, in compliance with JEDEC Standard JESD97. The maximum ratings related to soldering conditions are also marked on the inner box label. ECOPACK is an ST trademark. ECOPACK specifications are available at: www.st.com

Obsolete Product(s) - Obsolete Product(s)

SOT-32 (TO-126) MECHANICAL DATA

| DIM. | mm | | | inch | | |
|------|------|------|------|-------|-------|-------|
| | MIN. | TYP. | MAX. | MIN. | TYP. | MAX. |
| A | 7.4 | | 7.8 | 0.291 | | 0.307 |
| B | 10.5 | | 10.8 | 0.413 | | 0.445 |
| b | 0.7 | | 0.9 | 0.028 | | 0.035 |
| b1 | 0.49 | | 0.75 | 0.019 | | 0.030 |
| C | 2.4 | | 2.7 | 0.040 | | 0.106 |
| c1 | 1.0 | | 1.3 | 0.039 | | 0.050 |
| D | 15.4 | | 16.0 | 0.606 | | 0.629 |
| e | | 2.2 | | | 0.087 | |
| e3 | 4.15 | | 4.65 | 0.163 | | 0.183 |
| F | | 3.8 | | | 0.150 | |
| G | 3 | | 3.2 | 0.118 | | 0.126 |
| H | | | 2.54 | | | 0.100 |
| H2 | | 2.15 | | | 0.084 | |



4 Revision History

| Date | Revision | Changes |
|-------------|----------|------------------|
| 26-Jul-2005 | 1 | Initial release. |

Obsolete Product(s) - Obsolete Product(s)

Obsolete Product(s) - Obsolete Product(s)

Information furnished is believed to be accurate and reliable. However, STMicroelectronics assumes no responsibility for the consequences of use of such information nor for any infringement of patents or other rights of third parties which may result from its use. No license is granted by implication or otherwise under any patent or patent rights of STMicroelectronics. Specifications mentioned in this publication are subject to change without notice. This publication supersedes and replaces all information previously supplied. STMicroelectronics products are not authorized for use as critical components in life support devices or systems without express written approval of STMicroelectronics.

The ST logo is a registered trademark of STMicroelectronics.
All other names are the property of their respective owners

© 2005 STMicroelectronics - All rights reserved

STMicroelectronics group of companies



Australia - Belgium - Brazil - Canada - China - Czech Republic - Finland - France - Germany - Hong Kong - India - Israel - Italy - Japan -
Malaysia - Malta - Morocco - Singapore - Spain - Sweden - Switzerland - United Kingdom - United States of America

www.st.com



Looking for pricing, stock, or lifecycle information?

Click below to explore more details on WIN SOURCE:

-  [View ST600K on WIN SOURCE](#)
-  [STMicroelectronics Information](#)

Optimize Your Supply Chain with WIN SOURCE Solutions

-  Global Sourcing Solution
-  Obsolete Management
-  Cost Control Management
-  Shortage Management
-  Alternative Solution
-  Excess Inventory Management