



**THE DATASHEET OF
SD1536-08**



SD1536-08

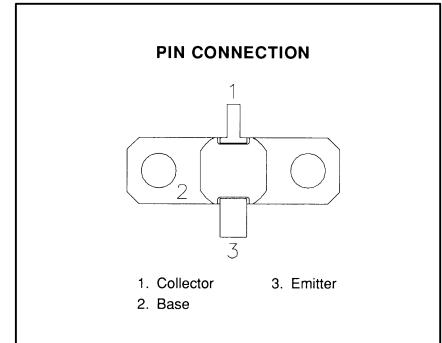
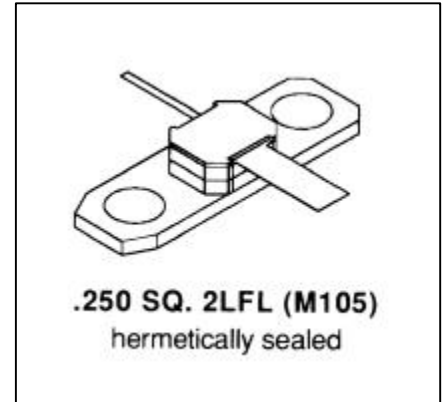
**RF & MICROWAVE TRANSISTORS
AVIONICS APPLICATIONS**

Features

- 1025 – 1150 MHz
- 50 VOLTS
- P_{OUT} = 90 WATTS
- G_P = 8.4 dB MINIMUM
- INPUT MATCHED
- COMMON BASE CONFIGURATION

DESCRIPTION:

The SD1536-08 is a gold metallized silicon NPN power transistor designed for applications requiring high peak power and low duty cycles such as IFF, DME and TACAN. Internal Impedance matching provides improved broadband performance.



ABSOLUTE MAXIMUM RATINGS (T_{CASE} = 25°C)

Symbol	Parameter	Value	Unit
V _{CBO}	Collector – Base Voltage	65	V
V _{CES}	Collector – Emitter Voltage	65	V
V _{EBO}	Emitter – Base Voltage	3.5	V
I _C	Device Current	10	A
P _{DISS}	Power Dissipation	292	W
T _J	Junction Temperature	+200	°C
T _{STG}	Storage Temperature	-65 to +150	°C

THERMAL DATA

R _{TH(J-C)}	Junction-Case Thermal Resistance	0.60	°C/W
----------------------	----------------------------------	------	------

ELECTRICAL SPECIFICATIONS (T_{case} = 25°C)

STATIC

Symbol	Test Conditions		Value			Unit
			Min.	Typ.	Max.	
BV_{CBO}	I_C = 10 mA	I_E = 0 mA	65	---	---	V
BV_{CER}	I_C = 25 mA	R_{BE} = 10 Ω	65	---	---	V
BV_{EBO}	I_E = 1 mA	I_C = 0 mA	3.5	---	---	V
I_{CES}	V_{CE} = 50 V	I_E = 0 mA	---	---	10	mA
H_{FE}	V_{CE} = 5 V	I_C = 100 mA	5	---	---	---

DYNAMIC

Symbol	Test Conditions			Value			Unit
				Min.	Typ.	Max.	
P_{OUT}	f = 1025 - 1150MHz	P_{IN} = 13.0 W	V_{CE} = 50 V	90	---	---	W
G_P	f = 1025 - 1150MHz	P_{IN} = 13.0 W	V_{CE} = 50 V	8.4	---	---	dB

Conditions: Pulse Width = 10 μsec Duty Cycle = 1%

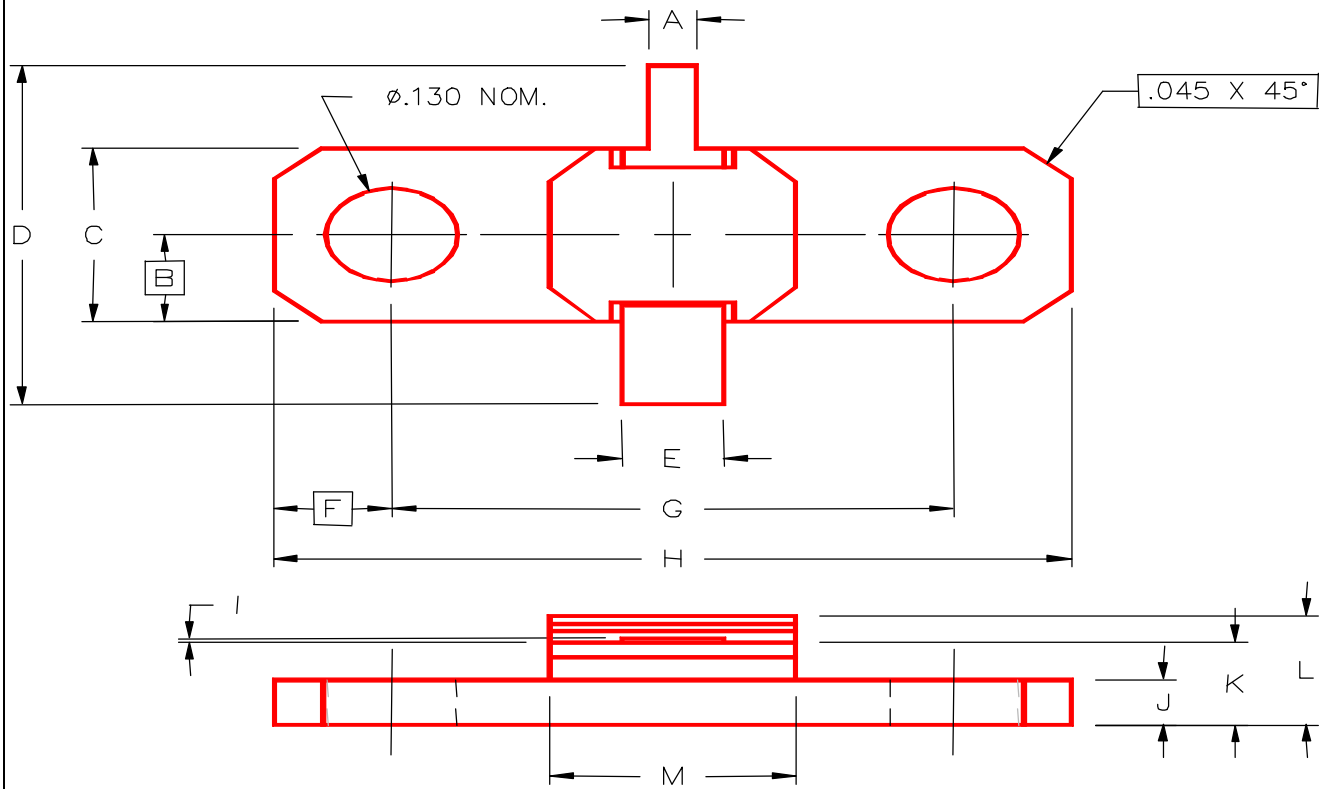
IMPEDANCE DATA

FREQ	Z _{IN} (Ω)	Z _{CL} (Ω)
960 MHz	2.8 + j7.5	6.4 – j1.3
1050 MHz	3.9 + j8.2	5.8 – j1.4
1150 MHz	4.3 + j4.3	5.0 – j0.0
1215 MHz	4.9 + j4.3	4.8 – j0.0

P_{IN} = 13W
V_{CE} = 50 V

PACKAGE MECHANICAL DATA

PACKAGE STYLE M105



	MINIMUM INCHES/MM	MAXIMUM INCHES/MM		MINIMUM INCHES/MM	MAXIMUM INCHES/MM
A	.045/1,14	.055/1,40	I	.002/0,05	.006/0,15
B	.125/3,18		J	.057/1,45	.067/1,70
C	.245/6,22	.255/6,48	K	.112/2,84	.132/3,35
D	1.235/31,37		L	.175/4,45	
E	.095/2,41	.105/2,67	M	.245/6,48	.405/10,29
F	.120/3,05				
G	.557/14,15	.567/14,40			
H	.795/20,19	.805/20,45			

Looking for pricing, stock, or lifecycle information?

Click below to explore more details on WIN SOURCE:

- ⊖ [View SD1536-08 on WIN SOURCE](#)
- ⊖ [Microsemi Corporation](#) Information

Optimize Your Supply Chain with WIN SOURCE Solutions

- ✓ Global Sourcing Solution
- ✓ Obsolete Management
- ✓ Cost Control Management
- ✓ Shortage Management
- ✓ Alternative Solution
- ✓ Excess Inventory Management