



**THE DATASHEET OF
SFC-134-T2-L-D-A-K-TR**



RUGGED TIGER EYE™ SYSTEMS

(1.27 mm) .050" PITCH



MAX
3.7
A m p s

8
G b p s

FEATURES & BENEFITS

- Screw down, locking clip, friction latching and weld tab ruggedizing options
- Shrouded, polarized and keyed
- Surface mount or through-hole tails
- High-density, four row design (FOLC/MOLC Series)
- Discrete wire assemblies available in single or double row, 28 and 30 AWG PVC or *Teflon™ Fluoropolymer (See pages 238-239). Contact asp@samtec.com for custom solutions.
- Cable components (ISDF/CC03) and tooling available: samtec.com/tooling
- Severe Environment Testing qualified (SFM/TFM); aligns with MIL-DTL-55302. Visit samtec.com/set

*Teflon™ is a trademark of The Chemours Company FC, LLC used under license by Samtec.

**TIGER™
EYE**
CONTACT



IDC cable assemblies with rugged strain relief (FFSD/FFMD, FFTP/FMTP)

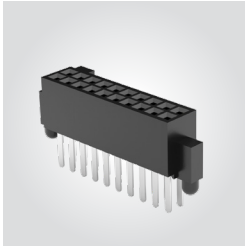
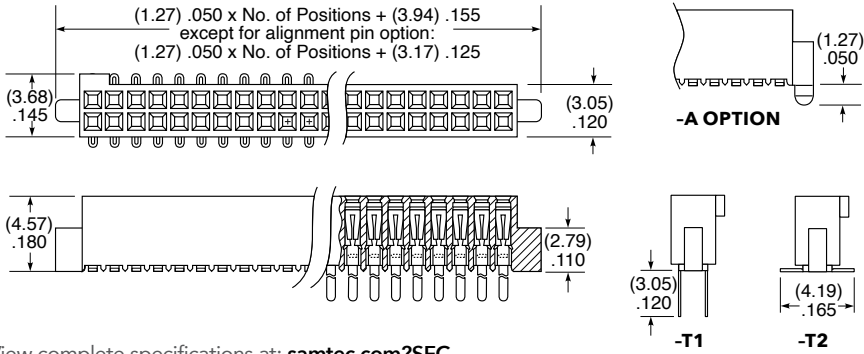
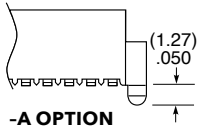
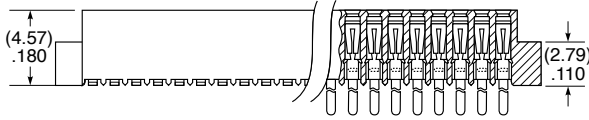
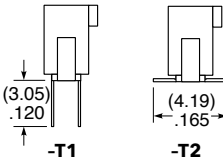


Locking for increased unmating force (SFML/TFML)

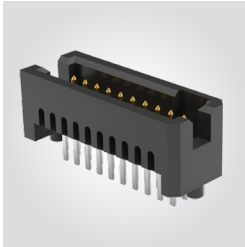
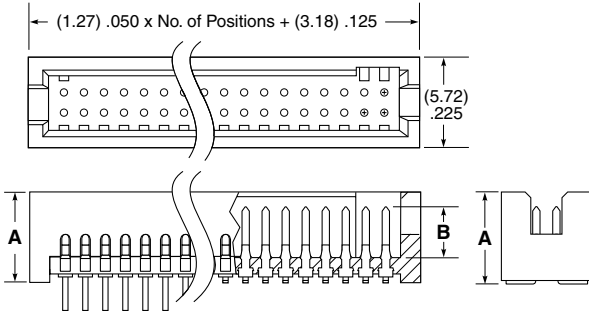
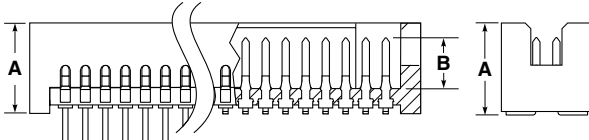
KEY SPECIFICATIONS

SERIES	STACK HEIGHTS	INSULATOR MATERIAL	CONTACT MATERIAL	PLATING	OPERATING TEMP RANGE	CURRENT RATING	VOLTAGE RATING	MAX. CYCLES	LEAD-FREE SOLDERABLE
SFM/TFM	6 to 12 mm	Black LCP	BeCu (SFM) Phosphor Bronze (TFM)	Au or Sn over 50 μ" (1.27 μm) Ni	-55 °C to +125 °C	3.7A per pin (2 pins powered)	275 VAC	10,000 with 30 μ" (0.76 μm) Au	Yes
SFC/TFC	6 to 12 mm	Black LCP	Phosphor Bronze	Au or Sn over 50 μ" (1.27 μm) Ni	-55 °C to +125 °C	3.1 A per pin (2 pins powered)	350 VAC	(Call Samtec for E.L.P.™ plating option)	Yes

(1.27 mm) .050" PITCH • COST-EFFECTIVE HEADER/SOCKET

SFC	1	NO. PINS PER ROW	LEAD STYLE	PLATING OPTION	D	OPTIONS
		04, 05, 10, 15, 20, 25, 30, 35, 40, 45, 50 (Standard sizes)	-T1 = Through-hole Tiger Eye™ LITE -T2 = Surface Mount Tiger Eye™ LITE	-F = Gold flash on contact, Matte Tin on tail -L = 10 μ" (0.25 μm) Gold on contact, Matte Tin on tail		-A = Alignment Pin -K = (4.00 mm) .157" DIA Polyimide film Pick & Place Pad -TR = Tape & Reel (-T2 only) -FR = Full Reel Tape & Reel (must order max. quantity per reel; contact Samtec for quantity breaks) (-T2 only)
SFC Board Mates: TFC Cable Mates: TFS, TFSDT						
						

View complete specifications at: samtec.com?SFC



TFC	1	NO. PINS PER ROW	LEAD STYLE	PLATING OPTION	D	OPTIONS																											
		03, 04, 06, 08 (Lead Style -01 & -02 only) 05, 07, 10, 15, 20, 25, 30, 35, 40, 45, 50 (Standard sizes)	-X1 = Through-hole -X2 = Surface Mount	-F = Gold flash on post, Matte Tin on tail -L = 15 μ" (0.38 μm) Gold on post, Matte Tin on tail		-RA = Right-angle (-01 only) -A = Alignment Pin -LC = Locking Clip (Manual Placement required) (not available with -RA) -K = (6.75 mm) .266" DIA Polyimide film Pick & Place Pad (not available with -RA) -P = Plastic Pick & Place Pad (5 positions min.) (not available with -RA) -TR = Tape & Reel (-X2 only) (not available with -RA) -FR = Full Reel Tape & Reel (must order max. quantity per reel; contact Samtec for quantity breaks) (-X2 only) (not available with -RA)																											
TFC Board Mates: SFC Cable Mates: SFS, SFSDT																																	
			<table border="1"> <thead> <tr> <th>SMT LEAD STYLE</th> <th>A</th> <th>B</th> <th>TH LEAD STYLE</th> <th>A</th> <th>B</th> </tr> </thead> <tbody> <tr> <td>-02</td> <td>(5.72) .225</td> <td>(3.38) .133</td> <td>-01</td> <td>(5.59) .220</td> <td>(3.38) .133</td> </tr> <tr> <td>-12</td> <td>(7.49) .295</td> <td></td> <td>-11</td> <td>(7.37) .290</td> <td></td> </tr> <tr> <td>-22</td> <td>(9.27) .365</td> <td>(3.30) .130</td> <td>-21</td> <td>(9.14) .360</td> <td>(3.30) .130</td> </tr> <tr> <td>-32</td> <td>(11.18) .440</td> <td></td> <td>-31</td> <td>(11.05) .435</td> <td></td> </tr> </tbody> </table>		SMT LEAD STYLE	A	B	TH LEAD STYLE	A	B	-02	(5.72) .225	(3.38) .133	-01	(5.59) .220	(3.38) .133	-12	(7.49) .295		-11	(7.37) .290		-22	(9.27) .365	(3.30) .130	-21	(9.14) .360	(3.30) .130	-32	(11.18) .440		-31	(11.05) .435
SMT LEAD STYLE	A	B	TH LEAD STYLE	A	B																												
-02	(5.72) .225	(3.38) .133	-01	(5.59) .220	(3.38) .133																												
-12	(7.49) .295		-11	(7.37) .290																													
-22	(9.27) .365	(3.30) .130	-21	(9.14) .360	(3.30) .130																												
-32	(11.18) .440		-31	(11.05) .435																													

View complete specifications at: samtec.com?TFC

Note:
Some lengths, styles and options are non-standard, non-returnable.

Looking for pricing, stock, or lifecycle information?

Click below to explore more details on WIN SOURCE:

-  [View SFC-134-T2-L-D-A-K-TR on WIN SOURCE](#)
-  [Samtec Inc. Information](#)

Optimize Your Supply Chain with WIN SOURCE Solutions

-  Global Sourcing Solution
-  Obsolete Management
-  Cost Control Management
-  Shortage Management
-  Alternative Solution
-  Excess Inventory Management