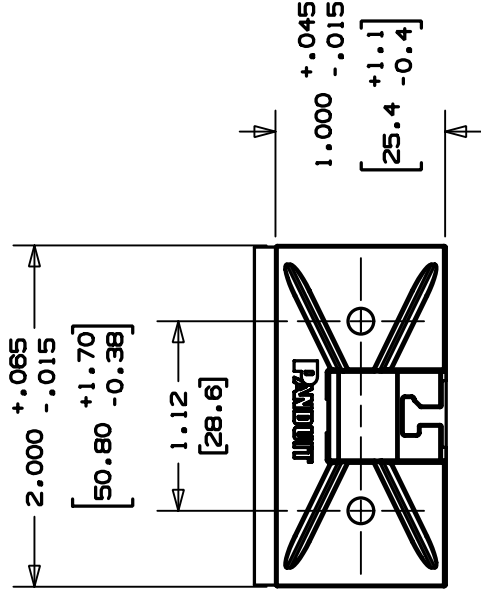




# THE DATASHEET OF SMS-S6-D



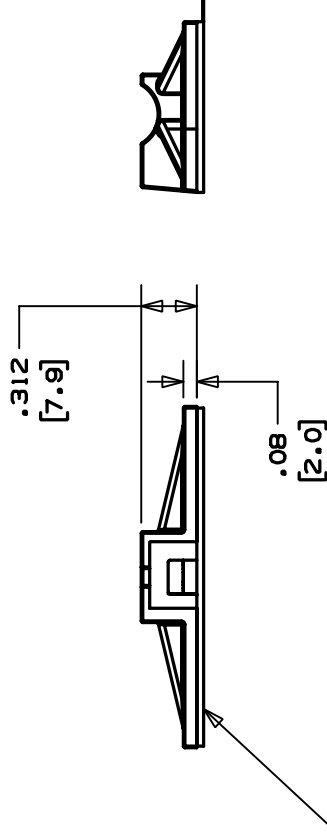
THIS COPY IS PROVIDED ON A RESTRICTED BASIS AND IS NOT TO BE USED IN ANY WAY DETRIMENTAL TO THE INTERESTS OF



PANDUIT PART NO. *	REC'M FASTENER	USE WITH THE CABLE TIES *
SMS-A	-----	S = STANDARD
SMS-S6	#6 F.H.C.S or B.H.C.S	

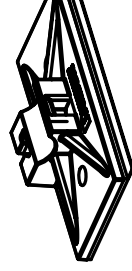
**TO APPLY ADHESIVE MOUNT:**  
 1. REMOVE PROTECTIVE LINER.  
 2. PLACE IN DESIRED LOCATION.  
 3. APPLY PRESSURE TO TOP SURFACE

**NOTES:**  
 1. SEE CURRENT PRICE SHEET FOR P  
 1. SEE DESIGNATION FOR PACKAGE SIZE



ADHESIVE BACKING:  
 PRESSURE SENSITIVE FOAM TAPE 0.040" (1.0) THICK WITH PROTECTIVE LINER. MOUNT IS DESIGNED TO SUPPORT 1lb. (454g) MAX. WEIGHT ON A CLEAN DRY, SMOOTH, GREASE-FREE SURFACE.

NO WARRANTY, EXPRESSED, OR IMPLIED, IS MADE BY PANDUIT WITH RESPECT TO ADHESIVE BOND PERFORMANCE. AMONG OTHER THINGS, THE CONDITIONS UNDER WHICH THESE MOUNTS MAY BE APPLIED AND/OR THE SURFACE TO WHICH THEY MAY BE APPLIED ARE BEYOND PANDUIT'S CONTROL.



SCALE: 3/4

DIMENSIONS IN BRACKETS

CAD FILENAME/VIEW

600239LA\_PB

**PANDUIT** CORP.

SNAP IN MOUNT (SMS-A)

UNLESS OTHERWISE SPECIFIED, DIMENSIONAL TOLERANCES ARE:  
 (.X) ±0.05 (1.3) (XXX) ±0.010 (0.2)  
 (.XX) ±0.02 (0.5) ANGLES ± 5°

DRAWN BY JAD MAT'L'S

DATE 1/28/04  
 CHK'D

ABS

REV	DATE	BY	CHK	DESCRIPTION	ECN	R	CUST	SUP
R	1/28/04	JAD		INITIAL RELEASE	690239LA	R		

## Looking for pricing, stock, or lifecycle information?

Click below to explore more details on WIN SOURCE:

 [View SMS-S6-D on WIN SOURCE](#)

 [Panduit Corp](#) Information

## Optimize Your Supply Chain with WIN SOURCE Solutions

-  Global Sourcing Solution
-  Obsolete Management
-  Cost Control Management
-  Shortage Management
-  Alternative Solution
-  Excess Inventory Management