



THE DATASHEET OF VTP413H



VTP413H

VTP Process Silicon Photodiode



Planar Silicon photodiode in a visible blocking, side looker lensed package suitable for assembly on printed circuit boards. That photodiode exhibits low dark current and fast response. The response time can be reduced by applying a reverse bias to lower the capacitance with low impact on the dark current performance.

The preferred operating condition is the photoconductive mode under reverse bias. However that photodiode can also be used in photovoltaic mode.

That photodiode has excellent response in the near IR and has a built-in visible blocking filter, making it suitable for applications where ambient light needs to be rejected.

Key Features

- Low dark current
- Low capacitance
- High shunt resistance
- Built-in visible rejection filter
- Plastic lensed package
- RoHS-compliant

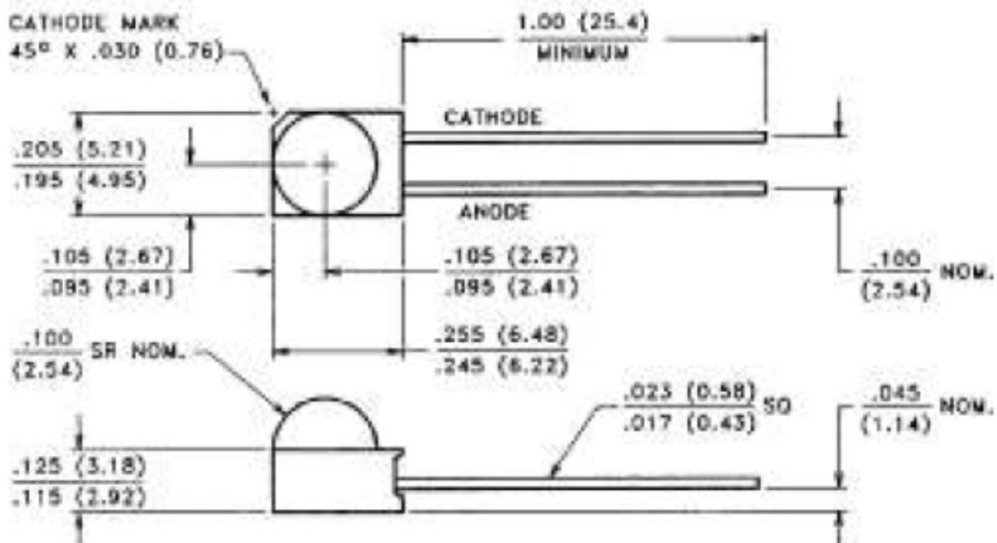
Applications

- Smoke detection
- Near IR light detection

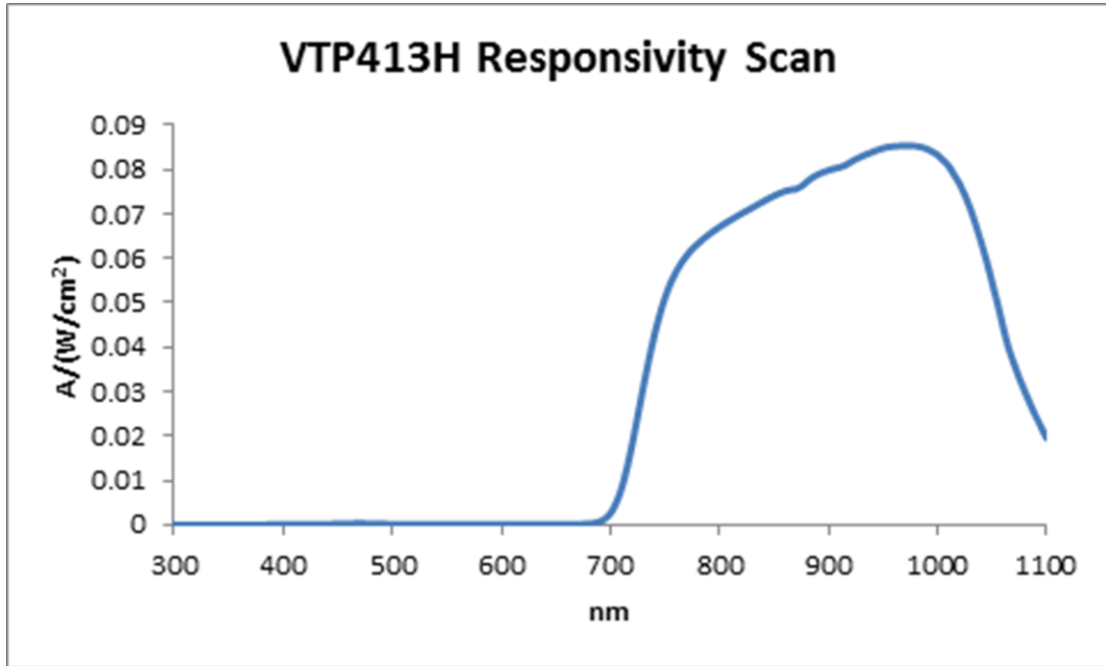
General Characteristics and Electro-optical specifications at 25°C

Parameter	Min	Typical	Max	Units	Conditions
Active area		7.00		mm ²	
Storage Temperature	-40		100	°C	
Operating Temperature	-40		100	°C	
Short Circuit Current		120		µA	100fc, 2850K color temperature
Short Circuit Current Temperature Coefficient		0.20		%/°C	2850K color temperature
Open Circuit Voltage		350		mV	100fc, 2850K color temperature
Open Circuit Voltage Temperature Coefficient		-2.0		mV/°C	2850K color temperature
Dark Current			20	nA	-10V Bias
Shunt Resistance		0.25		GΩ	0fc, 10mV bias
Junction Capacitance			50	pF	0fc, -3V Bias
Spectral Range	725		1150	nm	
Peak Spectral Response		975		nm	
Sensitivity at peak		0.55		A/W	
Breakdown Voltage	30	140		V	
Angular Response		±48		°	At 50% response
Noise Equivalent Power		2.3X10 ⁻¹⁴		W/VHz	

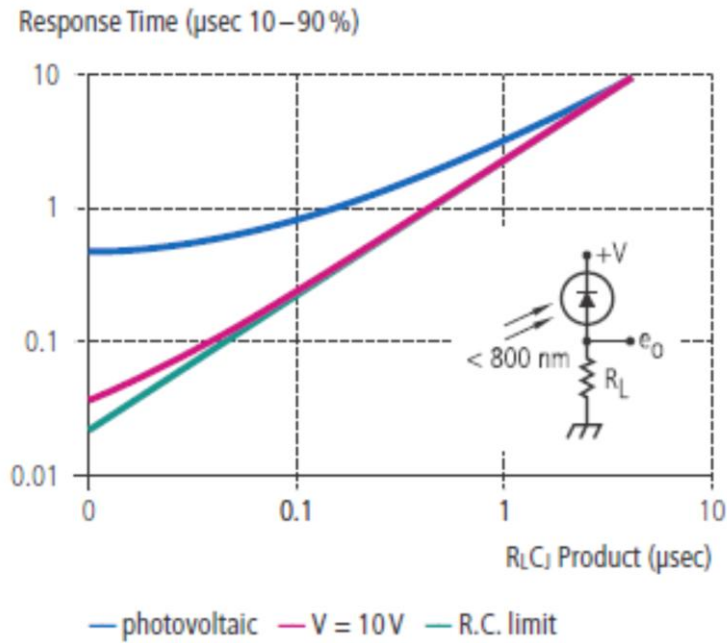
Mechanical Characteristics



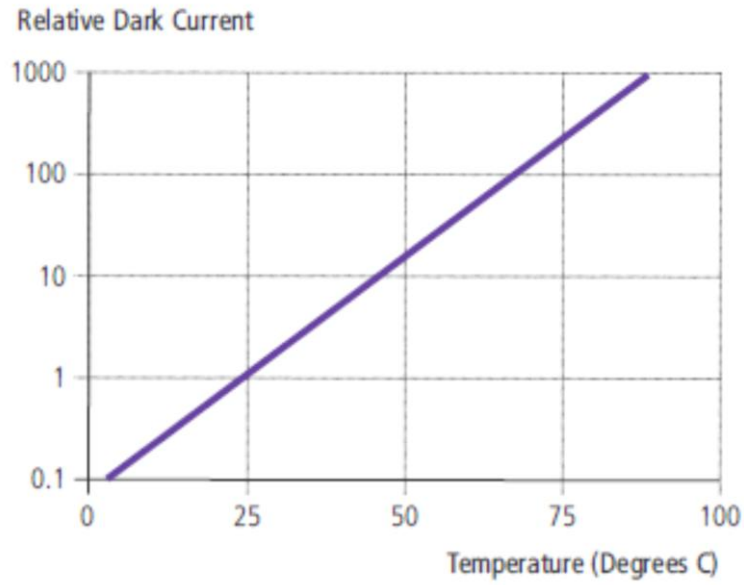
Spectral Response



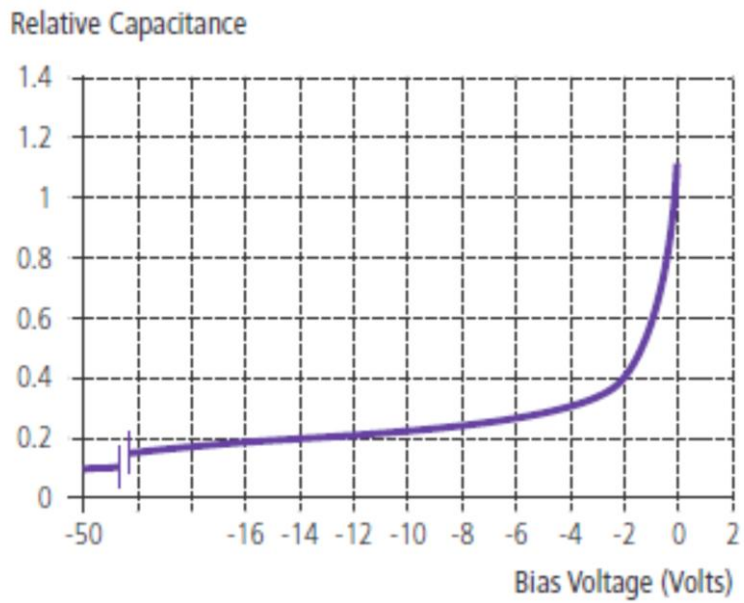
Rise/Fall Time – Non Saturated



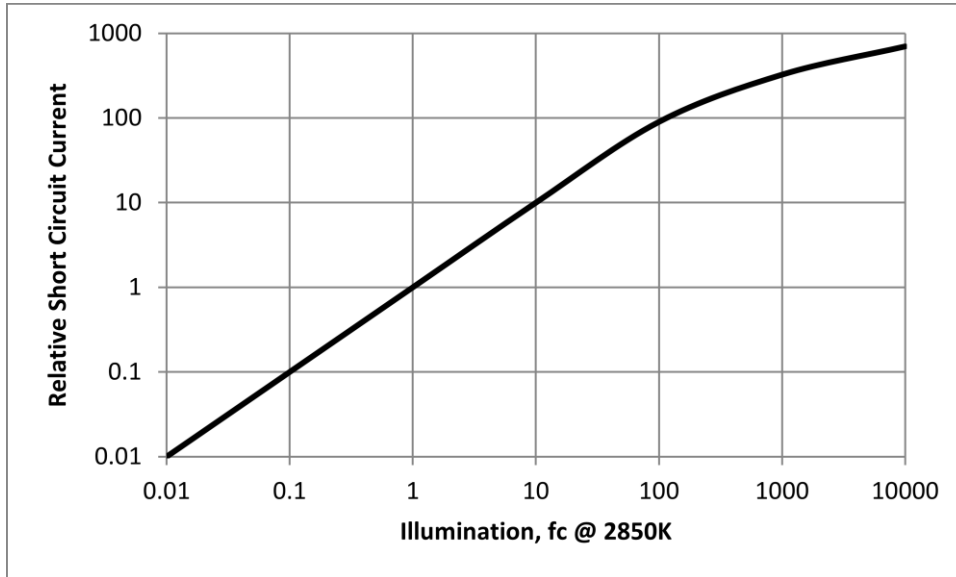
Relative Dark Current vs Temperature



Relative Junction Capacitance vs Bias Voltage



Relative Short Circuit Current vs illumination



About Excelitas Technologies

Excelitas Technologies is a global technology leader focused on delivering innovative, customized solutions to meet the lighting, detection and other high-performance technology needs of OEM customers.

From analytical instrumentation to clinical diagnostics, medical, industrial, safety and security, and aerospace and defense applications, Excelitas Technologies is committed to enabling our customers' success in their specialty end-markets. Excelitas Technologies has approximately 3,000 employees in North America, Europe and Asia, serving customers across the world.

Excelitas Technologies
 22001 Dumberry Road
 Vaudreuil-Dorion, Quebec
 Canada J7V 8P7
 Telephone: (+1) 450.424.3300
 Toll-free: (+1) 800.775.6786
 Fax: (+1) 450.424.3345
 detection@excelitas.com

European Headquarters
Excelitas Technologies
GmbH & Co. KG
 Wenzel-Jaksch-Str. 31
 D-65199 Wiesbaden
 Germany
 Telephone: (+49) 611 492 430
 Fax: (+49) 611 492 165
 detection.europe@excelitas.com

Asia Headquarters
Excelitas Technologies
 47 Ayer Rajah Crescent #06-12
 Singapore 139947
 Telephone: (+65) 6775-2022
 Fax: (+65) 6775-1008



For a complete listing of our global offices, visit www.excelitas.com/ContactUs

© 2011 Excelitas Technologies Corp. All rights reserved. The Excelitas logo and design are registered trademarks of Excelitas Technologies Corp. All other trademarks not owned by Excelitas Technologies or its subsidiaries that are depicted herein are the property of their respective owners. Excelitas reserves the right to change this document at any time without notice and disclaims liability for editorial, pictorial or typographical errors.

Looking for pricing, stock, or lifecycle information?

Click below to explore more details on WIN SOURCE:

- ⊖ [View VTP413H on WIN SOURCE](#)
- ⊖ [Excelitas Technologies Information](#)

Optimize Your Supply Chain with WIN SOURCE Solutions

- ✓ Global Sourcing Solution
- ✓ Obsolete Management
- ✓ Cost Control Management
- ✓ Shortage Management
- ✓ Alternative Solution
- ✓ Excess Inventory Management