



**THE DATASHEET OF
RER1013614N2HHA**



RER101 Series Motorized Impeller

Ø 101 x 52mm



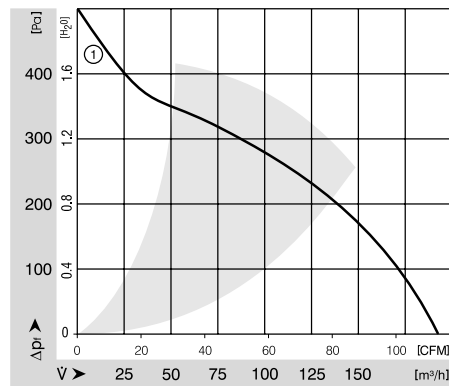
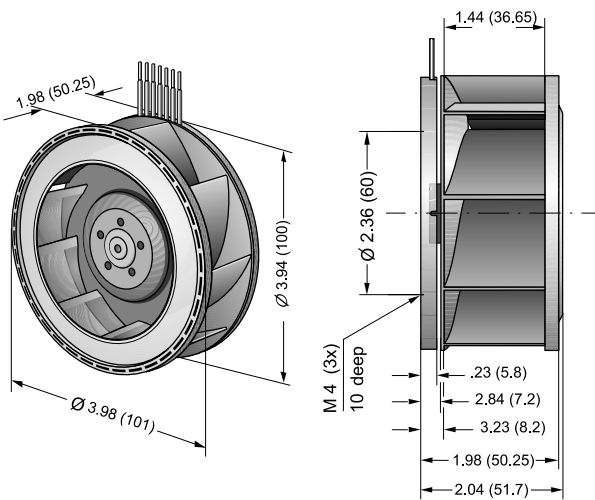
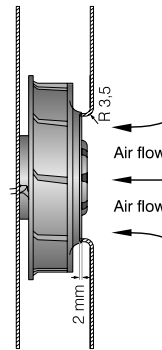
- DC radial blower with electronically commutated external rotor motor. Fully integrated commutation electronics with additional sensor lead for speed monitoring.
- With electronic protection against reverse polarity, blocking and overloading.
- Blower wheel of fiberglass reinforced plastic.
- Air exhaust radial. Rotational direction CCW looking at rotor.
- Electrical connection: Red = +; Blue = -; White = Tach output; Violet = PWM.
- UL, CSA, VDE approvals on most models, please contact application engineering.

Part Number	Curve	CFM @ D	VDC	Volt. Range	Power (W)	dBA	Max. Amb. Temp. C	Bearing Type	Features	Wgt. (lbs)
RER101-36/12NHH	1	111.8	12	9 to 13.6	23	69	70	Ball	Leads	0.67
RER101-36/14N/2HHA-20184	1	111.8	24	18 to 27.2	23	69	70	Ball	Leads	0.67

The air flow and noise level of fans without external housing depends on the installation conditions. The stated air flow and noise has been measured under the following conditions:

Centrifugal fan mounted on a base plate 148 x 148 mm.

Cover plate 148 x 148 mm with an air-inlet of Ø 66 mm, concentric to the blower wheel.



Looking for pricing, stock, or lifecycle information?

Click below to explore more details on WIN SOURCE:

 [View RER1013614N2HHA on WIN SOURCE](#)

 [ebm-papst Information](#)

Optimize Your Supply Chain with WIN SOURCE Solutions

-  Global Sourcing Solution
-  Obsolete Management
-  Cost Control Management
-  Shortage Management
-  Alternative Solution
-  Excess Inventory Management