



THE DATASHEET OF
9104-05-10



9104 SERIES/HIGH VOLTAGE SIP REED RELAYS



9104 Series Hi Voltage SIP Reed Relays

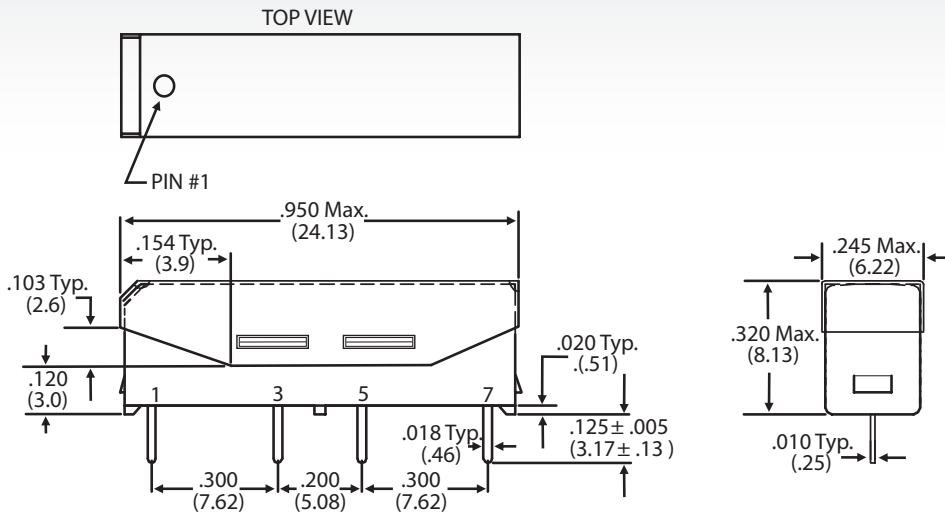
Molded SIP relays are the industry standard when high reliability and consistent performance are desired in a compact package. The 9104 Series adds high voltage switching capability and high voltage standoff capability to a SIP relay package. These high voltage, high performance relays are ideally suited for Automatic Test Equipment, Instrumentation, Battery Management, Solar and Process Control applications where voltage isolation is a key design requirement.

9104 Series Features

- ▶ High voltage switching up to 1000 V
- ▶ High dielectric strength (up to 4000 V DC)
- ▶ High Insulation Resistance – $10^{11}\Omega$ minimum
- ▶ High reliability, hermetically sealed contacts for long life
- ▶ High speed switching compared to electromechanical relays
- ▶ Molded thermoset body on integral lead frame design
- ▶ Optional Coil Suppression Diode – protects coil drive circuits
- ▶ Magnetic Shield – reduces interaction
- ▶ UL File #E67117 - Contact factory for details
- ▶ RoHS compliant

DIMENSIONS

in Inches (Millimeters)

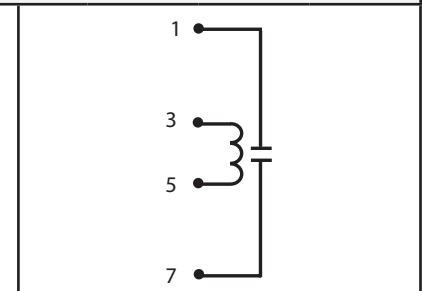


Ordering Information

Part Number	9XXX-XX-XX	General Options
Model Number	9104	0=No Diode 1=Diode ²
Coil Voltage	05=5 volts 12=12 volts	Dielectric Strength (Min) / Contacts Shield to Coil
		1=2000/3000 3=3000/3000 4=4000/4000

MODEL NUMBER			9104 ²	
Parameters	Test Conditions	Units	4 Pin SIP	
COIL SPECS.				
Nom. Coil Voltage		VDC	5 12	5 12
Max. Coil Voltage		VDC	6.5 15.0	6.5 15.0
Coil Resistance	+/- 10%, 25° C	Ω	175 500	140 500
Operate Voltage	Must Operate by	VDC - Max.	3.75 9.0	3.75 9.0
Release Voltage	Must Release by	VDC - Min.	0.5 1.0	0.5 1.0
CONTACT RATINGS				
Switching Voltage ³	Max DC/Peak AC Resist.	Volts	1000	
Switching Current	Max DC/Peak AC Resist.	Amps	0.5	
Carry Current	Max DC/Peak AC Resist.	Amps	1.3	
Contact Rating	Max DC/Peak AC Resist.	Watts	10	
Life Expectancy-Typical ¹	Signal Level 1.0V, 10mA	x 10 ⁶ Ops.	300	
Static Contact Resistance (max. init.)	50mV, 10mA	Ω	0.150	
Dynamic Contact Resistance (max. init.)	0.5V, 50mA at 100 Hz, 1.5 msec	Ω	0.200	
RELAY SPECIFICATIONS				
Insulation Resistance (minimum)	Between all Isolated Pins at 100V, 25°C, 40% RH	Ω	10 ¹¹	
Capacitance - Typical Across Open Contacts	No Shield	pF	1.0	
Open Contact to Coil	No Shield	pF	-	
Dielectric Strength ⁴ (minimum)	Between Contacts Contacts/Shield to Coil	VDC/peak AC VDC/peak AC	2000 / 3000 2000 / 3000	4000 4000
Operate Time - including bounce - Typical	At Nominal Coil Voltage, 30 Hz Square Wave	msec.	0.75	
Release Time - Typical		msec.	0.5	

Top View:
Dot stamped on top of relay refers to pin #1 location
Grid = .1"x.1" (2.54mm x 2.54mm)



Notes:

- ¹ Consult factory for life expectancy at other switching loads.
- ² Optional diode is connected to pin #3(+) and pin #5(-). Correct coil polarity must be observed.
- ³ Switch current limited to 1.0mA @ 1000V.

Dielectric Strength	9104-XX-1X	9104-XX-3X	9104-XX-4X
VDC/peak AC	2000/3000	3000/3000	4000/4000

Environmental Ratings:

Storage Temp: -35°C to +100°C; Operating Temp: -20°C to +85°C; Solder Temp: 270°C max; 10 sec. max
All electrical parameters measured at 25°C unless otherwise specified.
Vibration: 20 G's to 2000 Hz; Shock: 50 G's

Looking for pricing, stock, or lifecycle information?

Click below to explore more details on WIN SOURCE:

 [View 9104-05-10](#) on WIN SOURCE

 [Coto Technology](#) Information

Optimize Your Supply Chain with WIN SOURCE Solutions

-  Global Sourcing Solution
-  Obsolete Management
-  Cost Control Management
-  Shortage Management
-  Alternative Solution
-  Excess Inventory Management