



# THE DATASHEET OF SPS-L035-LATS



# Installation Instructions for the **SMART Position Sensor, 35 mm, 75 mm and 225 mm Linear Configurations**

## **GENERAL INFORMATION**

Why is the SMART Position Sensor smart? SMART means that this is a sensor that can essentially think for itself. The SMART Position Sensor has the ability to self-calibrate because it uses a patented combination of an ASIC (Application-Specific Integrated Circuit) and an array of MR (magneto-resistive) sensors to accurately and reliably determine the position of a magnet attached to a moving object (e.g., elevator, valve, machinery, etc.) so that the object's position can be determined.

The MR array measures the output of the MR sensors mounted along the magnet's direction of travel. The output and the MR sensor sequence determine the nearest pair of MR sensors to the center of the magnet location. The output of these two MR sensors is then used to determine the position of the magnet between them. With this sensor, Honeywell has utilized MR technology through the ASIC at a level never before accomplished.

## **MOUNTING AND WIRING INFORMATION (See Fig. 2.)**

1. Locate sensor and magnet in desired position. Ensure:
  - Air gap between sensor and magnet does not exceed that given in Table 1.
  - Alignment of magnet along length of sensor does not exceed  $2,0 \pm 2,5$  mm [ $0.078 \pm 0.098$  in] from the center line of each component.
2. Mount sensor:
  - Drill two holes, one for each mounting ear.
  - Secure sensor using two ¼-20 or M6 screws through each mounting ear.
  - Torque screws to 6 N m to 10 N m [53.1 in lb to 88.5 in lb].
3. Mount magnet (Does not apply to 35 mm version.):
  - Drill two holes:
    - One for the single mounting ear.
    - One at  $10,25 \pm 0.10$  mm [ $0.403 \pm 0.004$ ] dia., and at least 3 mm [0.118 in] deep, for the mounting dog (helps stabilize magnet).
  - While ensuring the mounting dog is seated in its hole, secure magnet using one ¼-20 or M6 screw through the mounting ear.
  - Torque screws to 6 N m to 10 N m [53.1 in lb to 88.5 in lb].
4. Wire sensor according to the lead colors given in Table 1. (Does not apply to 35 mm version.)

# SMART Position Sensor, 35 mm, 75 mm and 225 mm Linear Configurations

ISSUE 4  
50046793

Table 1. Specifications

Characteristic	Component	Parameter				
		35 mm	75 mm	225 mm		
		analog (SPS-L035-LATS)	analog (SPS-L075-HALS)	analog ( SPS-L075-HALS)	digital (SPS-L225-HDLS)	
Sensing range	sensor only	0 mm to 35 mm [0 in to 1.38 in]	0 mm to 75 mm [0 in to 32.95 in]	0 mm to 225 mm [0 in to 8.86 in]		
Resolution		0.04 mm [0.0016 in]	0,05 mm [0.002 in]	0,14 mm [0.0055 in]	0,0035 mm [0.000137 in]	
Supply voltage		4.75 Vdc to 5.25 Vdc	6 Vdc to 24 Vdc			
Output		0.55 Vdc to 4.15 Vdc	0 Vdc to 5 Vdc			RS 232-type digital
Supply current		20 mA max.	32 mA max.	34 mA max.	88 mA max.	
Linearity <sup>1</sup>		±1.0% full scale output	±0.4% full scale output			
Reverse polarity		-5 V	26.4 V at 125 °C [257 °F]			
Sensitivity		103 mV/mm typ.	50 mV/mm typ.	17.78 mV/mm typ.	282.16 counts/mm typ.	
Update rate		476 µs	400 µs			3200 µs
Baud rate			-			57.6 kbits/s
Initial startup time			5 ms	30 ms		
Termination			TYCO Super Seal 282087-1 integral connector	flying leads		
Cable bend radius			-	40 mm [1.6 in] min.		
Operating temperature		sensor and magnet actuator	-40 °C to 125 °C [-40 °F to 257 °F]			
Storage temperature	-40 °C to 150 °C [-40 °F to 302 °F]					
Air gap	8,5 ±1,0 mm [0.334 ±0.039 in]		3,0 ±2,5 mm [0.118 ±0.098 in]			
Sealing	IP67, IP69K					
Radiated immunity	100 V/m per ISO 11452-2		-			
Conducted immunity	100 mA BCI per ISO 11452-4		-			
Shock	50 G half sine wave with 11 ms duration					
Vibration	20 G from 10 Hz to 2000 Hz		10 G from 10 Hz to 2000 Hz			
Housing material	thermoplastic					
Approvals	CE					
Mounting: screws recommended torque	¼-20 or M6 6 N m to 10 N m [53.1 in lb to 88.5 in lb]					
Material	magnet ac- tuator only		neodymium iron boron			
Strength			13,500 Gauss	10,000 Gauss		

**Note:**

1. Percent linearity is the quotient of the measured output deviation from the best fit line at the measured temperature to the full scale output span.

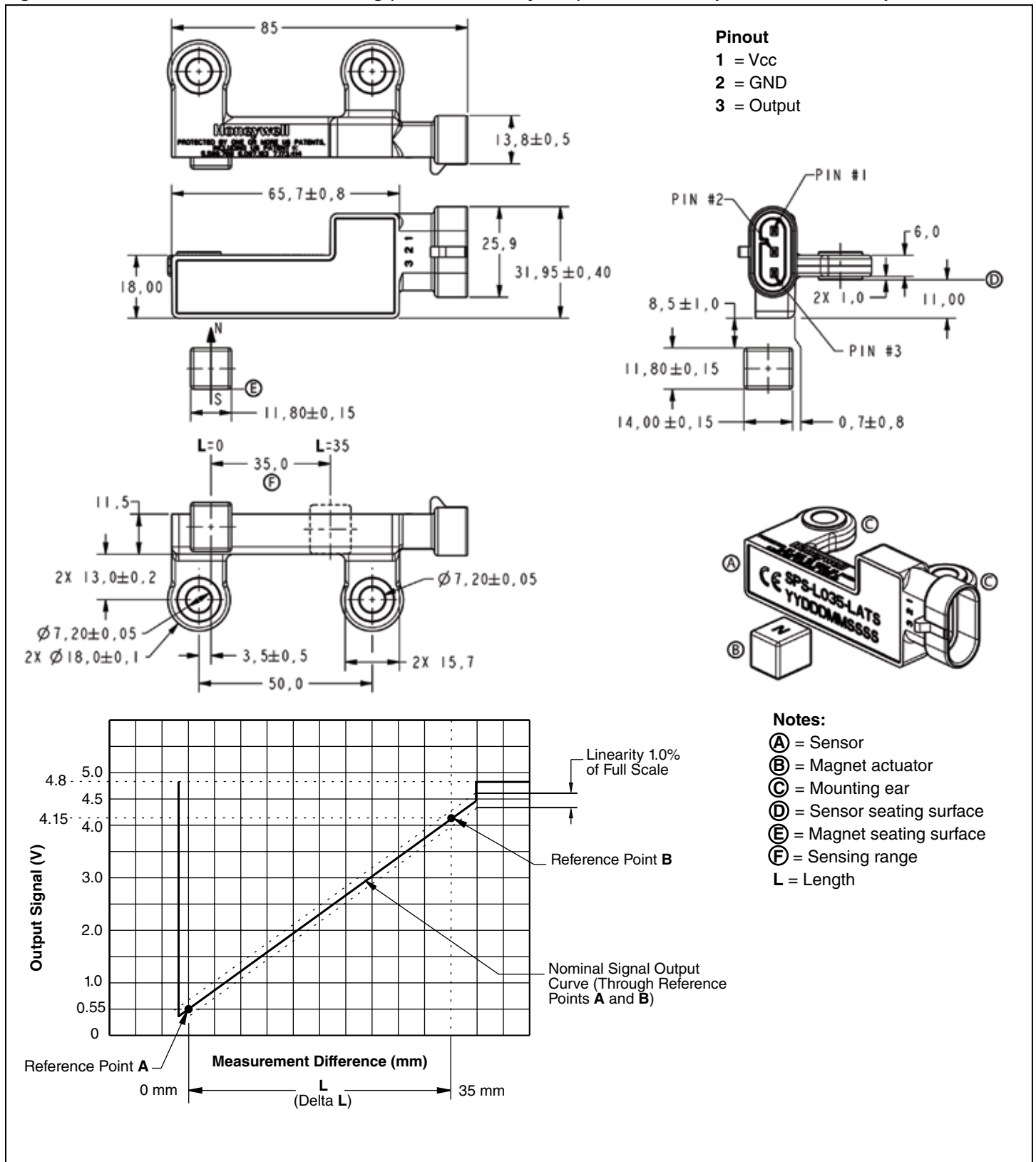
**NOTICE**

- Ferrous metal within a 100 mm [3.9 in] radius of the magnet actuator may affect sensor performance.
- Always use fresh, non-magnetic stainless steel washers when mounting the sensor.

# SMART Position Sensor, 35 mm, 75 mm and 225 mm Linear Configurations

ISSUE 4  
50046793

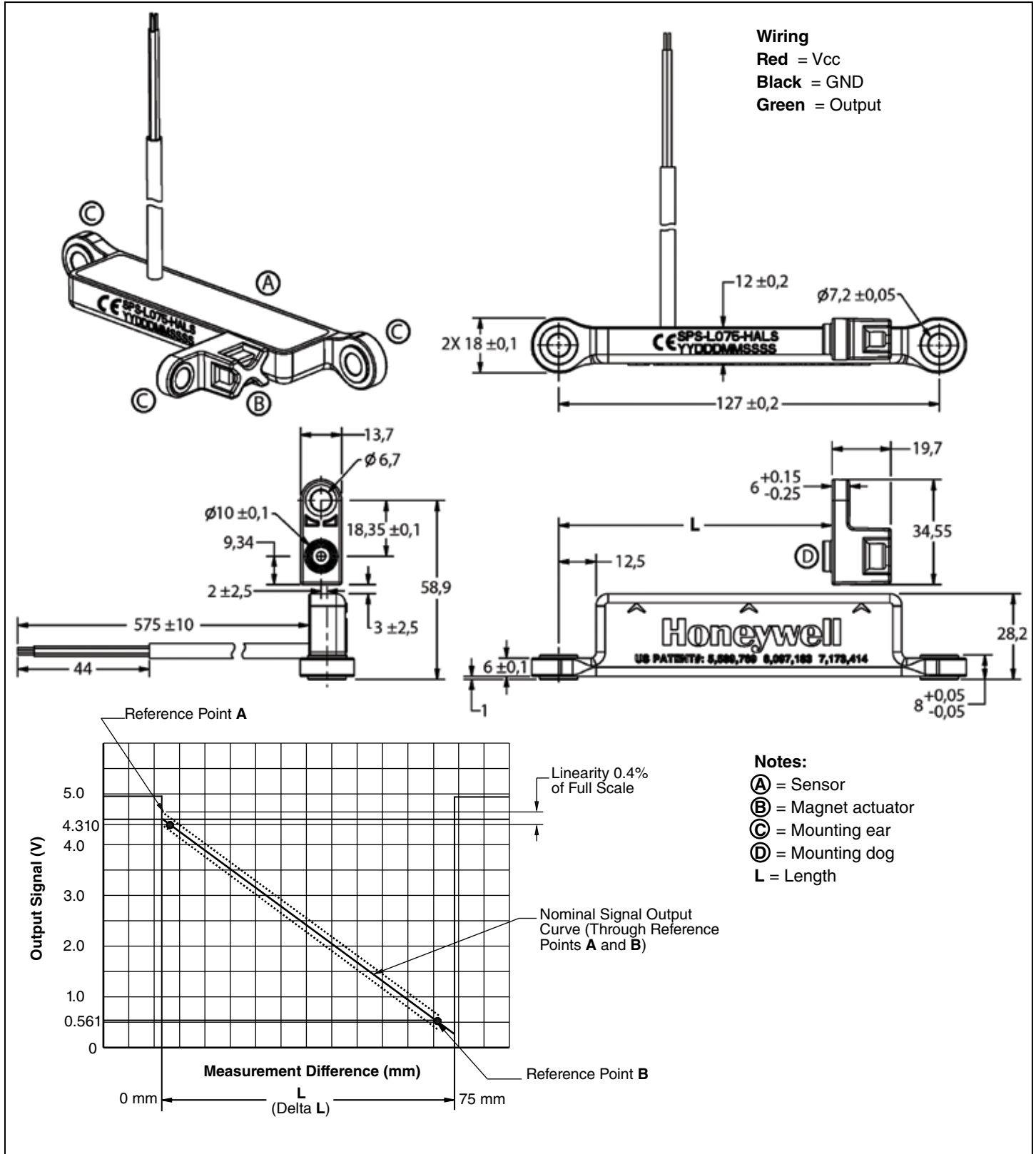
Figure 1. SPS-L035-LATS Dimensional Drawing (for reference only: mm) and Sensor Output Performance Graph



# SMART Position Sensor, 35 mm, 75 mm and 225 mm Linear Configurations

ISSUE 4  
50046793

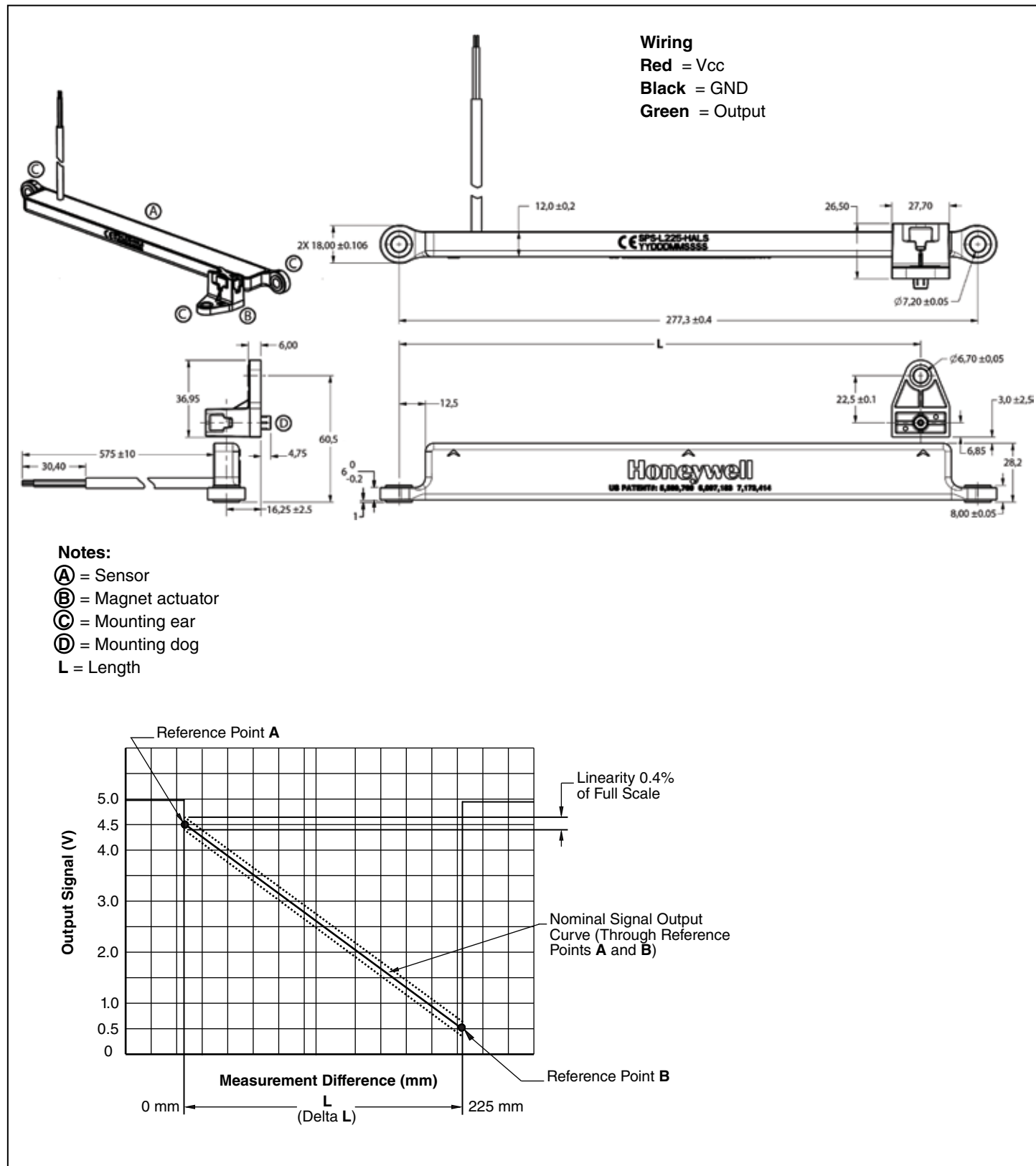
Figure 2. SPS-L075-HALS Dimensional Drawing (for reference only: mm) and Sensor Output Performance Graph



# SMART Position Sensor, 35 mm, 75 mm and 225 mm Linear Configurations

ISSUE 4  
50046793

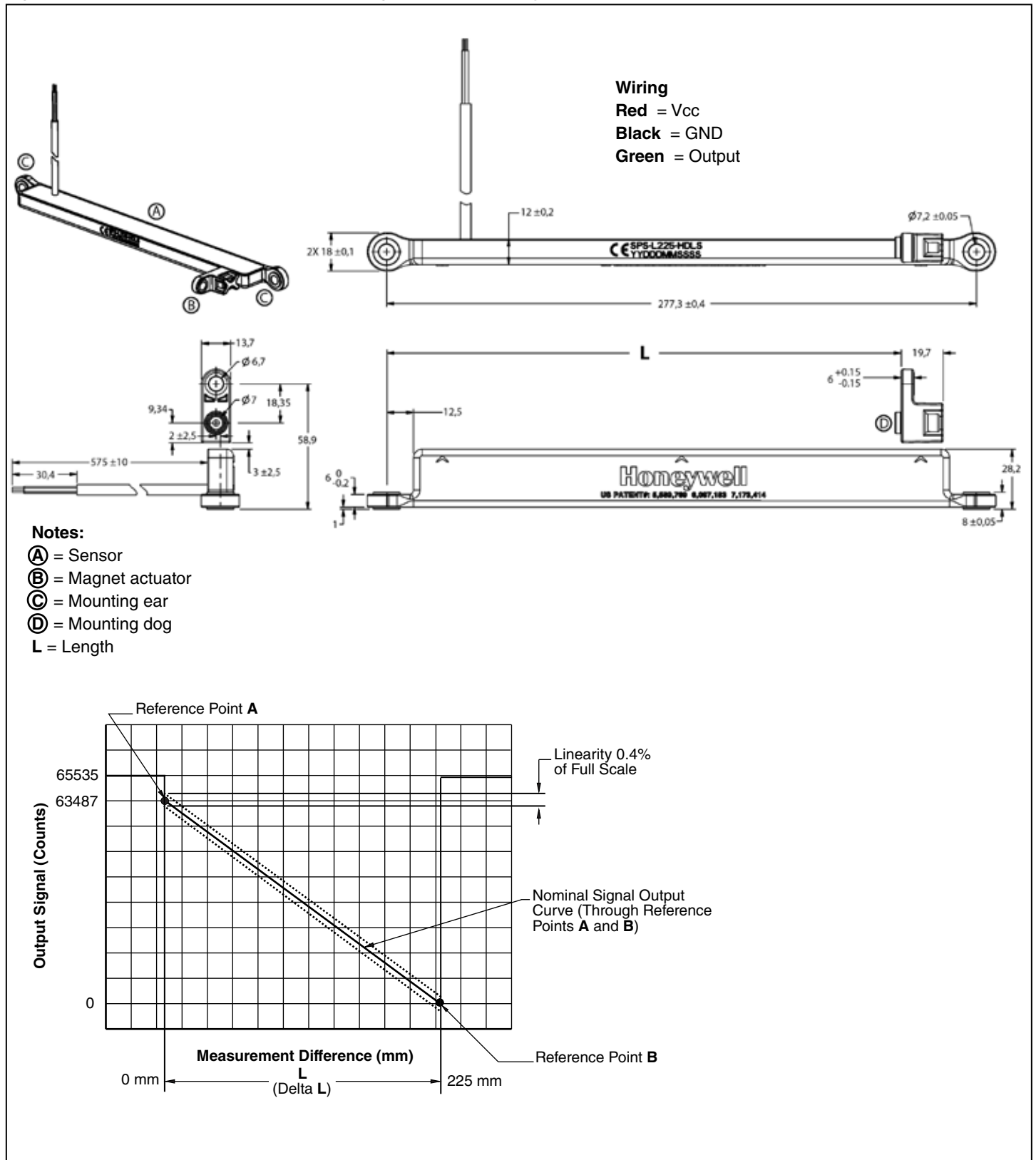
Figure 3. SPS-L225-HALS Dimensional Drawing (for reference only: mm) and Sensor Output Performance Graph



# SMART Position Sensor, 35 mm, 75 mm and 225 mm Linear Configurations

ISSUE 4  
50046793

Figure 4. SPS-L225-HDLS Dimensional Drawing (for reference only: mm) and Sensor Output Performance Graph



# SMART Position Sensor, 35 mm, 75 mm and 225 mm Linear Configurations

ISSUE 4  
50046793

## WARNING

### PERSONAL INJURY

DO NOT USE these products as safety or emergency stop devices or in any other application where failure of the product could result in personal injury.

**Failure to comply with these instructions could result in death or serious injury.**

### WARRANTY

Honeywell warrants goods of its manufacture as being free of defective materials and faulty workmanship. Honeywell's standard product warranty applies unless agreed to otherwise by Honeywell in writing; please refer to your order acknowledgement or consult your local sales office for specific warranty details. If warranted goods are returned to Honeywell during the period of coverage, Honeywell will repair or replace, at its option, without charge those items it finds defective. **The foregoing is buyer's sole remedy and is in lieu of all warranties, expressed or implied, including those of merchantability and fitness for a particular purpose. In no event shall Honeywell be liable for consequential, special, or indirect damages.**

While we provide application assistance personally, through our literature and the Honeywell web site, it is up to the customer to determine the suitability of the product in the application.

Specifications may change without notice. The information we supply is believed to be accurate and reliable as of this printing. However, we assume no responsibility for its use.

### SALES AND SERVICE

Honeywell serves its customers through a worldwide network of sales offices, representatives and distributors. For application assistance, current specifications, pricing or name of the nearest Authorized Distributor, contact your local sales office or:

E-mail: [info.sc@honeywell.com](mailto:info.sc@honeywell.com)

Internet: [sensing.honeywell.com](http://sensing.honeywell.com)

Phone and Fax:

Asia Pacific	+65 6355-2828
	+65 6445-3033 Fax
Europe	+44 (0) 1698 481481
	+44 (0) 1698 481676 Fax
Latin America	+1-305-805-8188
	+1-305-883-8257 Fax
USA/Canada	+1-800-537-6945
	+1-815-235-6847
	+1-815-235-6545 Fax

### Honeywell Sensing and Control

1985 Douglas Drive North  
Golden Valley, MN 55422  
[sensing.honeywell.com](http://sensing.honeywell.com)

50046793-4-EN  
August 2013  
© 2013 Honeywell International Inc. All rights reserved.

# Honeywell

## Looking for pricing, stock, or lifecycle information?

Click below to explore more details on WIN SOURCE:

 [View SPS-L035-LATS on WIN SOURCE](#)

 [Honeywell Information](#)

## Optimize Your Supply Chain with WIN SOURCE Solutions

-  Global Sourcing Solution
-  Obsolete Management
-  Cost Control Management
-  Shortage Management
-  Alternative Solution
-  Excess Inventory Management