



**THE DATASHEET OF
TLE4935LHALA1**



Uni- and Bipolar Hall IC Switches for Magnetic Field Applications

TLE4905L, TLE4935L, TLE4945L, TLE4945-2L

Sensors



Never stop thinking.

Edition 2007-11

**published by Infineon Technologies AG,
Am Campeon 1-12,
81726 München, Germany**

**© Infineon Technologies AG 2007.
All Rights Reserved.**

Attention please!

The information herein is given to describe certain components and shall not be considered as a guarantee of characteristics. Terms of delivery and rights to technical change reserved.

We hereby disclaim any and all warranties, including but not limited to warranties of non-infringement, regarding circuits, descriptions and charts stated herein.

Information

For further information on technology, delivery terms and conditions and prices please contact your nearest Infineon Technologies Office (www.infineon.com).

Warnings

Due to technical requirements components may contain dangerous substances. For information on the types in question please contact your nearest Infineon Technologies Office.

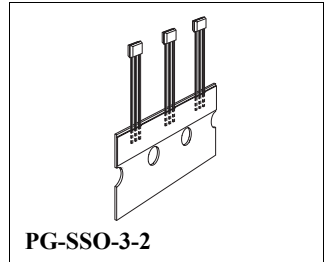
Infineon Technologies Components may only be used in life-support devices or systems with the express written approval of Infineon Technologies, if a failure of such components can reasonably be expected to cause the failure of that life-support device or system, or to affect the safety or effectiveness of that device or system. Life support devices or systems are intended to be implanted in the human body, or to support and/or maintain and sustain and/or protect human life. If they fail, it is reasonable to assume that the health of the user or other persons may be endangered.

Uni- and Bipolar Hall IC Switches for Magnetic Field Applications

TLE4905L, TLE4935L,
TLE4945L, TLE4945-2L

Features

- Digital output signal
- For unipolar and alternating magnetic fields
- Large temperature range
- Temperature compensated magnetic performance
- Protection against reversed polarity
- Output protection against electrical disturbances



Type	Marking	Package
TLE4905L	05 L	PG-SSO-3-2
TLE4935L	35 L	PG-SSO-3-2
TLE4935-2L	35 2	PG-SSO-3-2
TLE4945L	45 L	PG-SSO-3-2
TLE4945-2L	45 2	PG-SSO-3-2

TLE4905/35/45/45-2 L (Unipolar/Bipolar Magnetic Field Switches) have been designed specifically for automotive and industrial applications. Reverse polarity protection is included on-chip as is output protection against negative voltage transients.

Typical applications are position/proximity indicators, brushless DC motor commutation, rotational indexing etc.

Pin Configuration

(view on branded side of component)

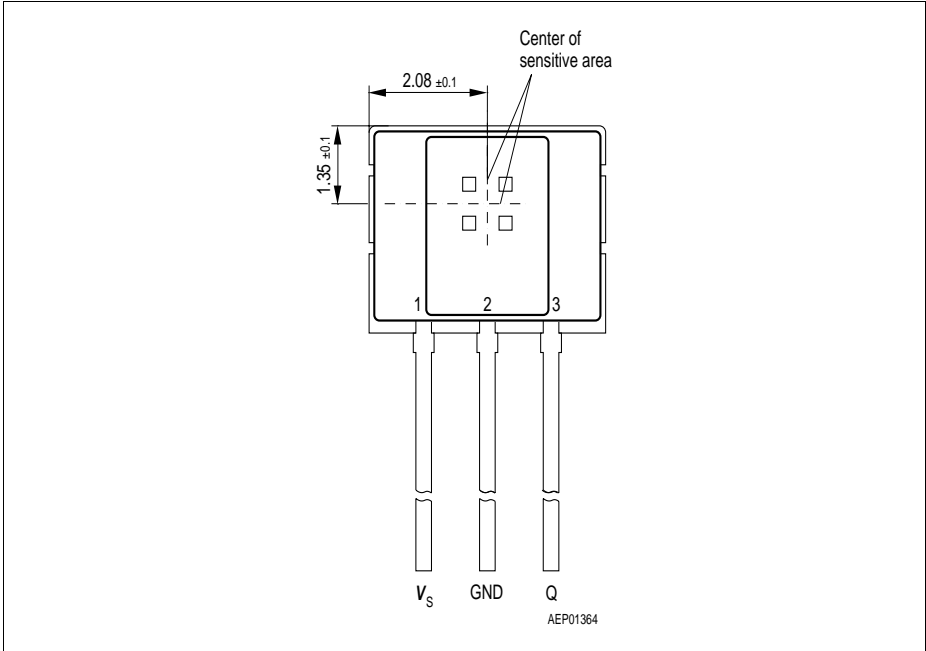


Figure 1

Pin Definitions and Functions

Pin No.	Symbol	Function
1	V _S	Supply voltage
2	GND	Ground
3	Q	Output

Circuit Description

The circuit includes Hall generator, amplifier and Schmitt-Trigger on one chip. The internal reference provides the supply voltage for the components. A magnetic field perpendicular to the chip surface induces a voltage at the hall probe. This voltage is amplified and switches a Schmitt-trigger with open-collector output. A protection diode against reverse power supply is integrated. The output is protected against electrical disturbances.

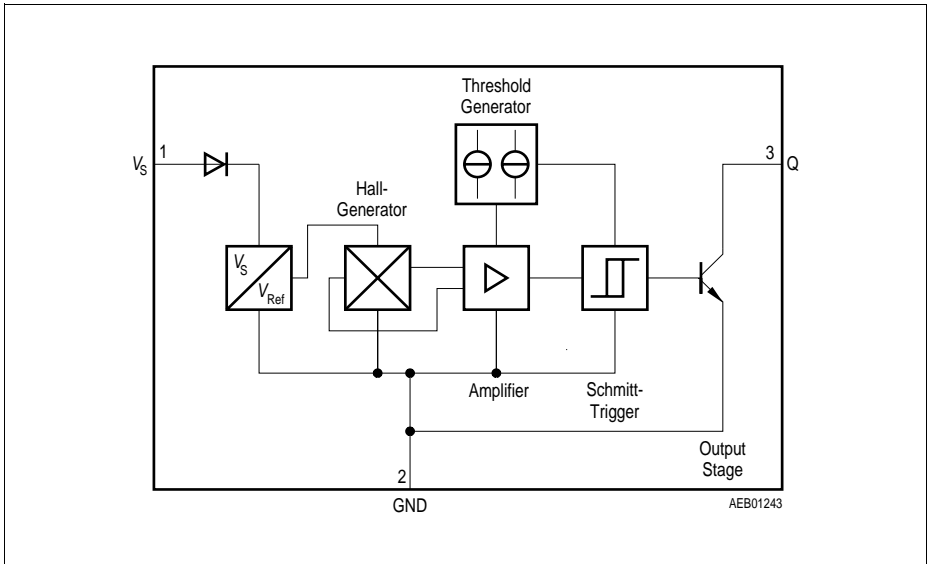


Figure 2 Block Diagram

Functional Description Unipolar Type TLE4905 (Figure 3 and 4)

When a positive magnetic field is applied in the indicated direction (**Figure 3**) and the turn-on magnetic induction B_{OP} is exceeded, the output of the Hall-effect IC will conduct (Operate Point). When the current is reduced, the output of the IC turns off (Release Point; **Figure 4**).

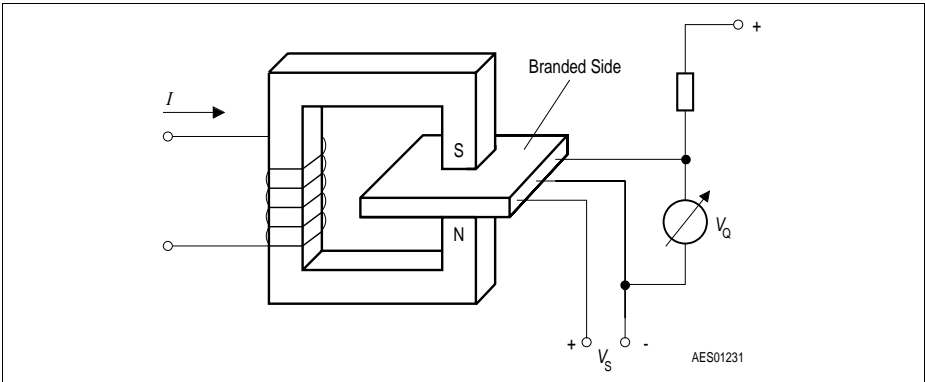


Figure 3 Sensor/Magnetic-Field Configuration

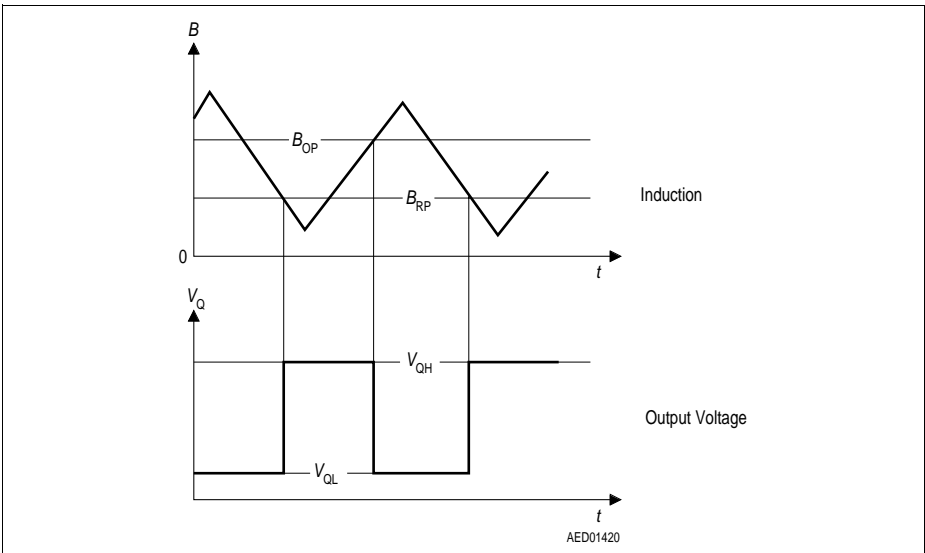


Figure 4 Switching Characteristics Unipolar Type

Functional Description Bipolar Type TLE4935/45/45-2 (Figure 5 and 6)

When a positive magnetic field is applied in the indicated direction (**Figure 5**) and the turn-on magnetic induction B_{OP} is exceeded, the output of the Hall-effect IC will conduct (Operate Point). The output state does not change unless a reverse magnetic field exceeding the turn-off magnetic induction B_{RP} is exceeded. In this case the output will turn off (Release Point; **Figure 6**).

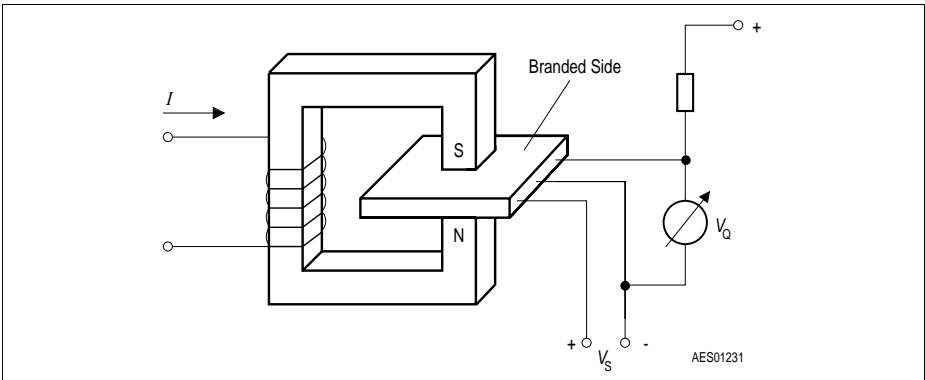


Figure 5 Sensor/Magnetic-Field Configuration

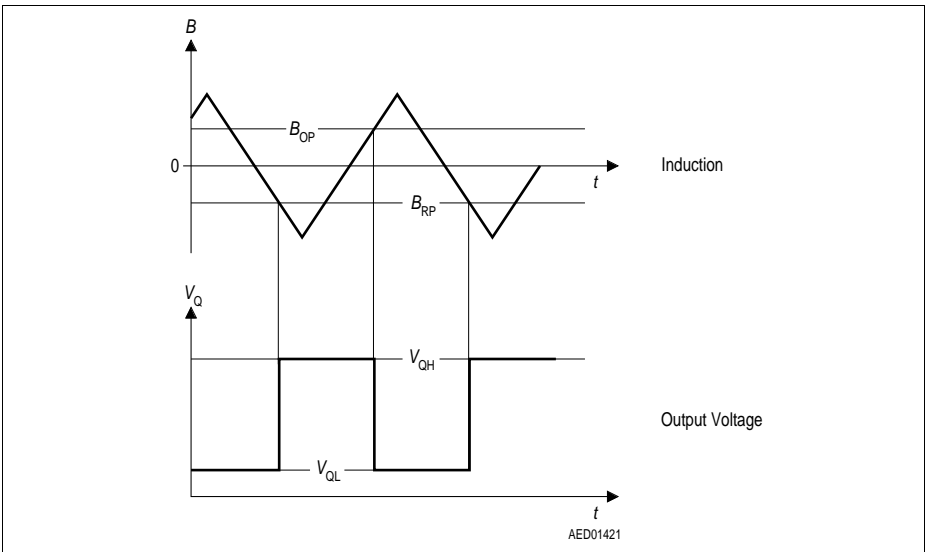


Figure 6 Switching Characteristics Bipolar Type

Absolute Maximum Ratings
 $T_j = -40$ to 150 °C

Parameter	Symbol	Limit Values		Unit	Remarks
		min.	max.		
Supply voltage	V_S	-40	32	V	-
Supply voltage	V_S	-	40	V	$t < 400$ ms; $v = 0.1$
Output voltage	V_Q	-	32	V	-
Output current	I_Q	-	100	mA	-
Output reverse current	$-I_Q$	-	100	mA	-
Junction temperature	T_j	-40	150	°C	-
Junction temperature	T_j	-	170	°C	1000 h
Junction temperature	T_j	-	210	°C	40 h
Storage temperature	T_{stg}	-50	150	°C	-
Thermal resistance	$R_{th JA}$	-	190	K/W	-

Note: Stresses above those listed here may cause permanent damage to the device. Exposure to absolute maximum rating conditions for extended periods may affect device reliability.

Operating Range

Parameter	Symbol	Limit Values		Unit	Remarks
		min.	max.		
Supply voltage	V_S	3.8	24	V	-
Junction temperature	T_j	-40	150	°C	-
		-	170		

Note: In the operating range the functions given in the circuit description are fulfilled.

AC/DC Characteristics

$3.8\text{ V} \leq V_S \leq 24\text{ V}$; $-40\text{ }^\circ\text{C} \leq T_j \leq 150\text{ }^\circ\text{C}$

Parameter	Symbol	Limit Values			Unit	Test Condition	Test Circuit
		min.	typ.	max.			
Supply current	$I_{S\text{High}}$	–	3	7	mA	$B < B_{RP}$	1
	$I_{S\text{Low}}$	–	4	8	mA	$B > B_{OP}$	1
Output saturation voltage	$V_{Q\text{Sat}}$	–	0.25	0.5	V	$I_Q = 40\text{ mA}$	1
Output leakage current	I_{QL}	–	–	10	μA	$V_Q = 24\text{ V}$	1
Rise/fall time	t_r / t_f	–	–	1	μs	$R_L = 1.2\text{ k}\Omega$ $C_L \leq 33\text{ pF}$	1

Note: Typical characteristics specify mean values expected over the production spread. If not otherwise specified, typical characteristics apply at $T_j = 25\text{ }^\circ\text{C}$ and the given supply voltage.

Magnetic Characteristics
 $3.8 \text{ V} \leq V_S \leq 24 \text{ V}$

Parameter	Symbol	Limit Values								Unit
		TLE4905 unipolar		TLE4935 bipolar latch		TLE4945 bipolar switch		TLE4945-2 bipolar switch		
		min.	max.	min.	max.	min.	max.	min.	max.	

Junction Temperature $T_j = -40 \text{ }^\circ\text{C}$

Turn-ON induction	B_{OP}	7.5	19	10	20	-6	10	-3	6	mT
Turn-OFF induction	B_{RP}	5.5	17	-20	-10	-10	6	-6	3	mT
Hysteresis ($B_{OP} - B_{RP}$)	ΔB_H	2	6.5	20	40	2	10	1	5	mT

Junction Temperature $T_j = 25 \text{ }^\circ\text{C}$

Turn-ON induction	B_{OP}	7	18	10	20	-6	10	-3	6	mT
Turn-OFF induction	B_{RP}	5	16	-20	-10	-10	6	-6	3	mT
Hysteresis ($B_{OP} - B_{RP}$)	ΔB_H	2	6	20	40	2	10	1	5	mT

Junction Temperature $T_j = 85 \text{ }^\circ\text{C}$

Turn-ON induction	B_{OP}	6.5	17.5	10	20	-6	10	-3	6	mT
Turn-OFF induction	B_{RP}	4.5	15	-20	-10	-10	6	-6	3	mT
Hysteresis ($B_{OP} - B_{RP}$)	ΔB_H	2	5.5	20	40	2	10	1	5	mT

Magnetic Characteristics (cont'd)

$3.8\text{ V} \leq V_S \leq 24\text{ V}$

Parameter	Symbol	Limit Values								Unit
		TLE4905 unipolar		TLE4935 bipolar latch		TLE4945 bipolar switch		TLE4945-2 bipolar switch		
		min.	max.	min.	max.	min.	max.	min.	max.	

Junction Temperature $T_j = 150\text{ }^\circ\text{C}$

Turn-ON induction	B_{OP}	6	17	10	20	-6	10	-3	6	mT
Turn-OFF induction	B_{RP}	4	14	-20	-10	-10	6	-6	3	mT
Hysteresis ($B_{OP} - B_{RP}$)	ΔB_H	2	5	20	40	2	10	1	5	mT

Note: The listed magnetic characteristics are ensured over the operating range of the integrated circuit. Typical characteristics specify mean values expected over the production spread. If not otherwise specified, typical characteristics apply at $T_j = 25\text{ }^\circ\text{C}$ and the given supply voltage.

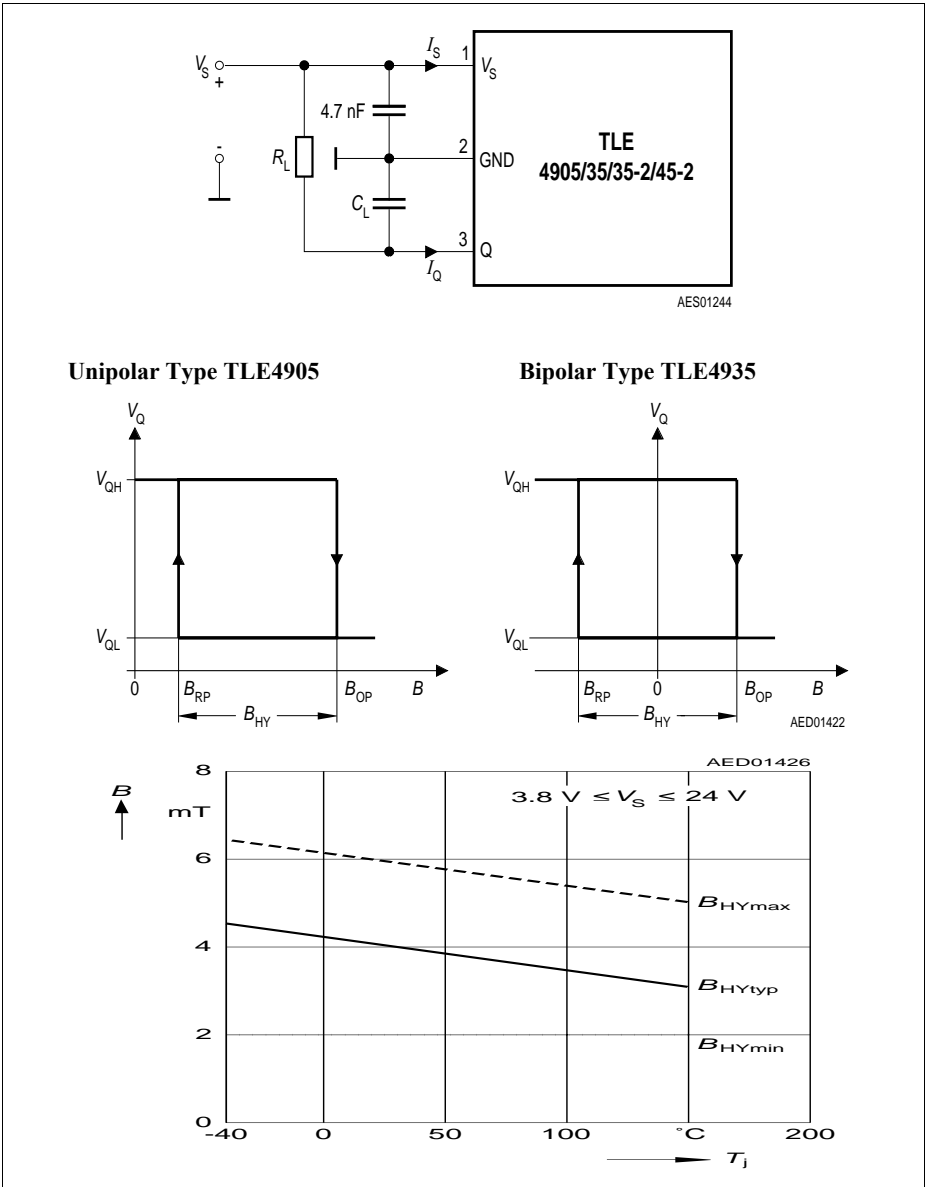


Figure 7 Test Circuit 1

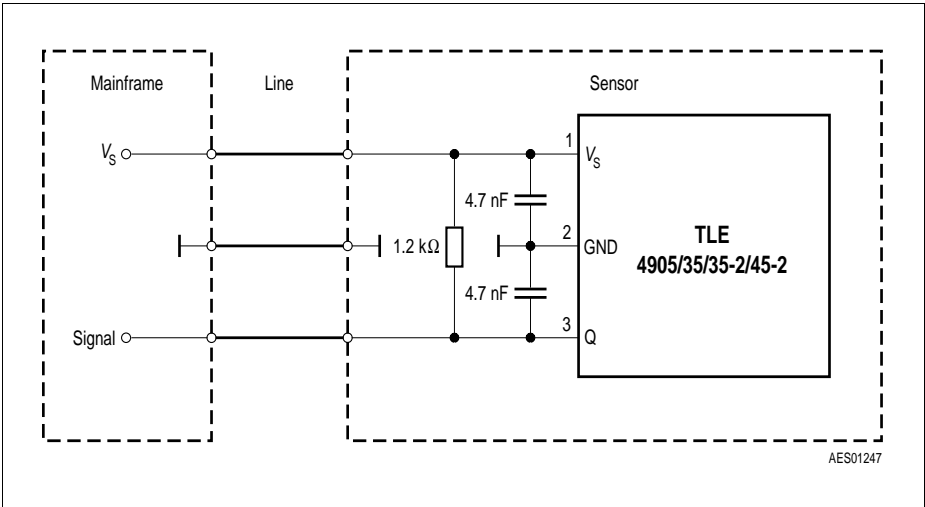
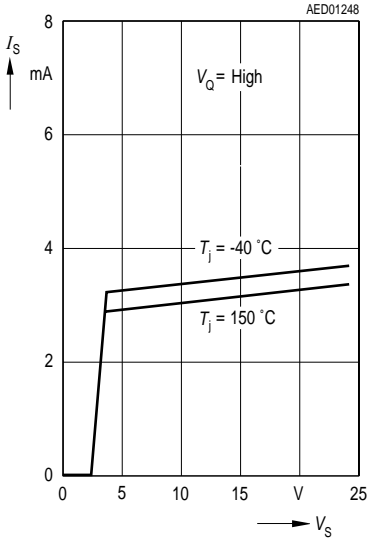


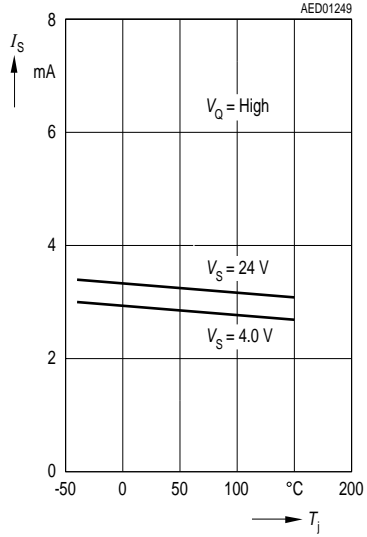
Figure 8 Application Circuit

If not otherwise specified, all curves reflect typical values at $T_j = 25\text{ }^\circ\text{C}$ and $V_S = 12\text{ V}$

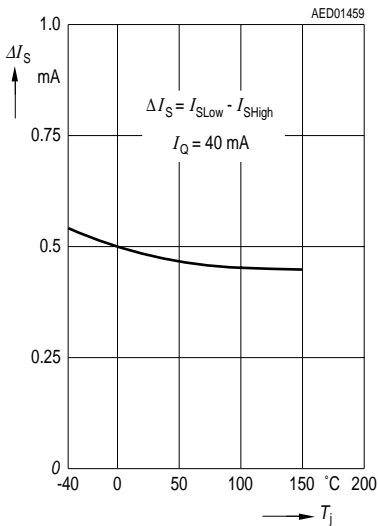
Quiescent Current versus Supply Voltage



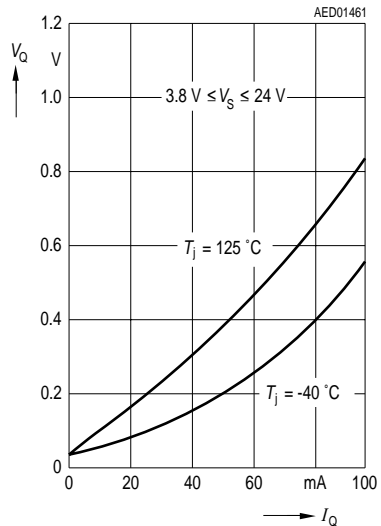
Quiescent Current versus Junction Temperature



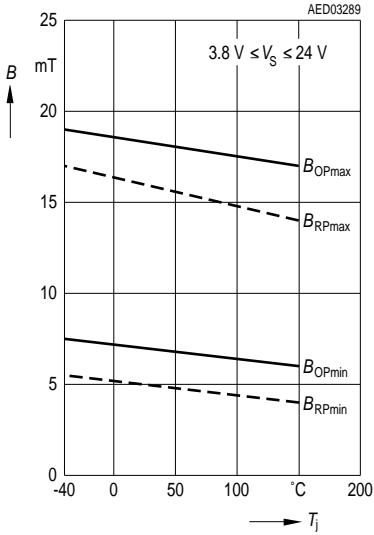
Quiescent Current Difference versus Temperature



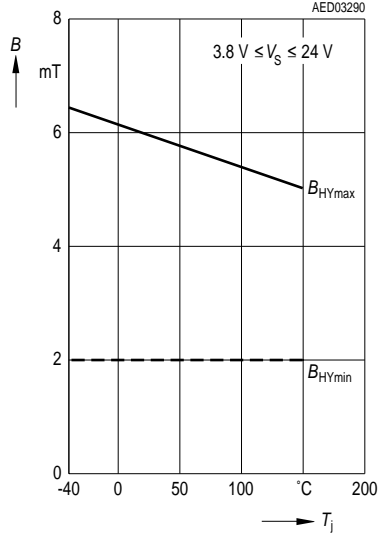
Saturation Voltage versus Output Current



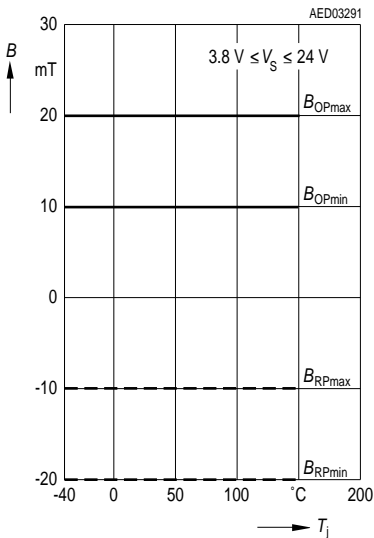
TLE4905 Operate-and Release-Point versus Junction Temperature



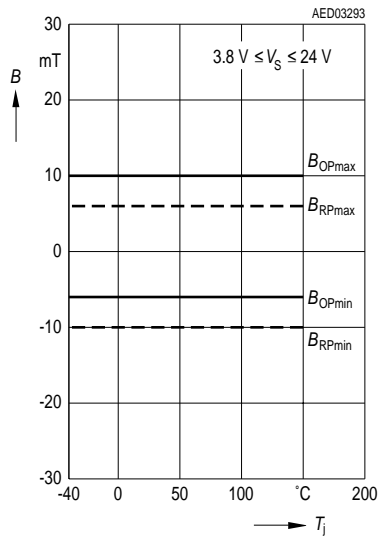
TLE4905 Hysteresis versus Junction Temperature



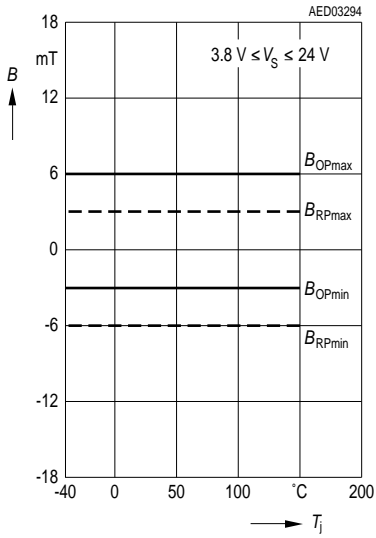
TLE4935 Operate-and Release-Point versus Junction Temperature

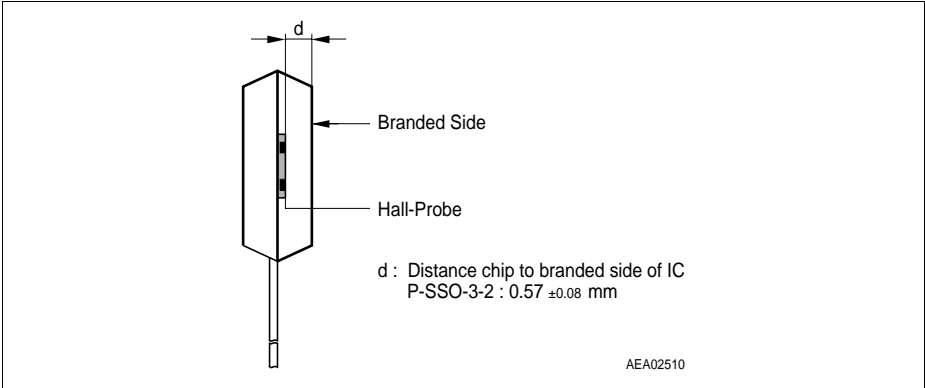


TLE4945 Operate-and Release-Point versus Junction Temperature



TLE4945-2 Operate-and Release-Point versus Junction Temperature





Revision History: 2007-11, V1.5

Previous Version: V1.4:§

Page	Subjects (major changes since last revision)
	Package changed to PG-SSO-3-2

For questions on technology, delivery and prices please contact the Infineon Technologies offices in Germany or the Infineon Technologies Companies and Representatives worldwide: see our webpage at <http://www.infineon.com>

We Listen to Your Comments

Any information within this document that you feel is wrong, unclear or missing at all?
 Your feedback will help us to continuously improve the quality of this document.
 Please send your proposal (including a reference to this document) to:

sensors@infineon.com



www.infineon.com

Published by Infineon Technologies AG

Looking for pricing, stock, or lifecycle information?

Click below to explore more details on WIN SOURCE:

- [View TLE4935LHALA1 on WIN SOURCE](#)
- [Infineon Technologies Information](#)

Optimize Your Supply Chain with WIN SOURCE Solutions

- ✓ Global Sourcing Solution
- ✓ Obsolete Management
- ✓ Cost Control Management
- ✓ Shortage Management
- ✓ Alternative Solution
- ✓ Excess Inventory Management