



**THE DATASHEET OF  
SSI-LXH8080YD**

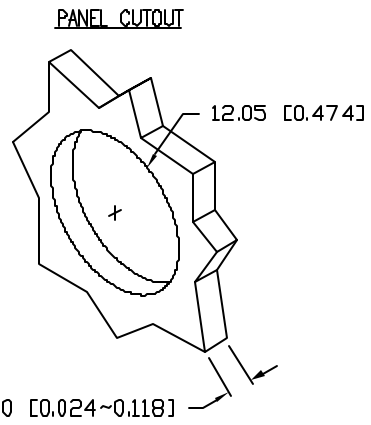
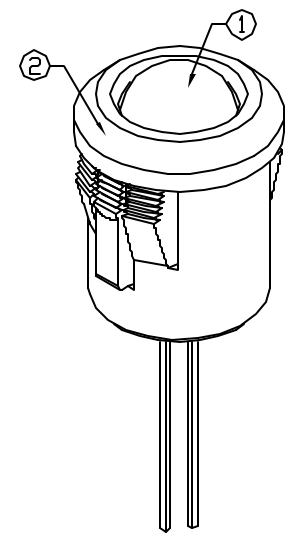
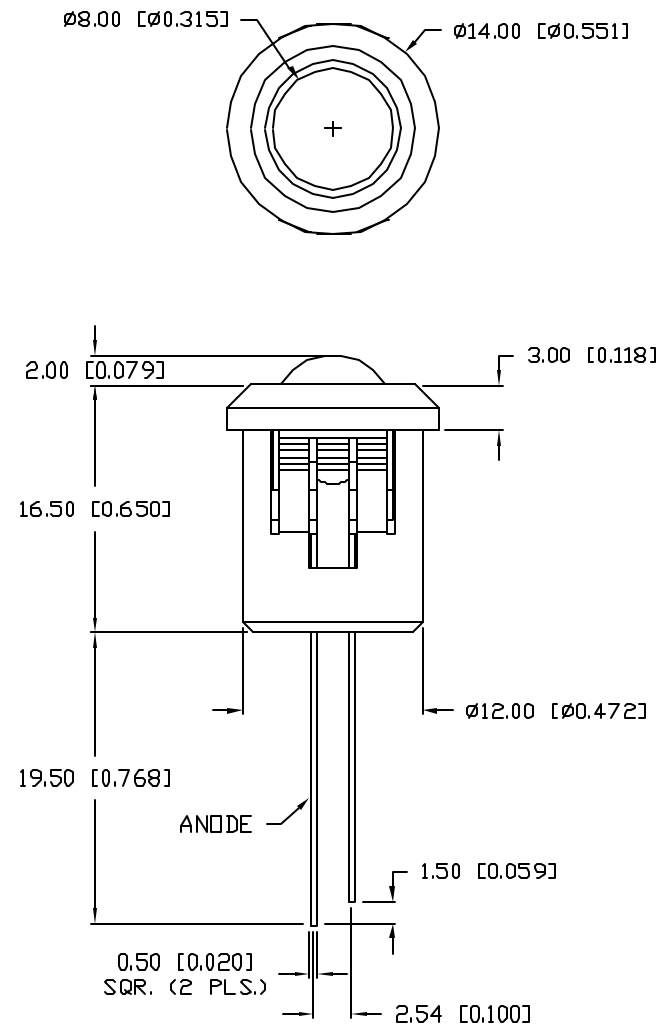


UNCONTROLLED DOCUMENT

PART NUMBER  
SSI-LXH8080YD

REV.  
A

| REV. | E.C.N. NUMBER AND REVISION COMMENTS | DATE   |
|------|-------------------------------------|--------|
| A    | E.C.N. #10BRDR. & REDRAWN IN 3D.    | 1.8.02 |



ELECTRO-OPTICAL CHARACTERISTICS  $T_A=25^{\circ}\text{C}$   $I_f=20\text{mA}$

| PARAMETER          | MIN             | TYP | MAX | UNITS      | TEST COND            |
|--------------------|-----------------|-----|-----|------------|----------------------|
| PEAK WAVELENGTH    |                 | 585 |     | nm         |                      |
| FORWARD VOLTAGE    |                 | 2.1 | 2.5 | $V_f$      |                      |
| REVERSE VOLTAGE    | 5.0             |     |     | $V_r$      | $I_f=100\mu\text{A}$ |
| AXIAL INTENSITY    |                 | 30  |     | med        | $I_f=20\text{mA}$    |
| VIEWING ANGLE      |                 | 60  |     | $2x$ theta |                      |
| EMITTED COLOR:     | YELLOW          |     |     |            |                      |
| EPOXY LENS FINISH: | YELLOW DIFFUSED |     |     |            |                      |

LIMITS OF SAFE OPERATION AT  $25^{\circ}\text{C}$

| PARAMETER                        | MAX        | UNITS                  |
|----------------------------------|------------|------------------------|
| PEAK FORWARD CURRENT*            | 150        | mA                     |
| STEADY CURRENT                   | 30         | mA                     |
| POWER DISSIPATION                | 105        | mW                     |
| DERATE FROM $25^{\circ}\text{C}$ | -1.2       | mW/ $^{\circ}\text{C}$ |
| OPERATING, STORAGE TEMP.         | -40 TO +85 | $^{\circ}\text{C}$     |
| SOLDERING TEMP.                  | +260       | $^{\circ}\text{C}$     |
| 2.0mm FROM BODY                  |            | 3 SEC. MAX             |

\*  $t < 10\mu\text{s}$

- NOTES:
1. SSL-LX80113YD, YELLOW LED.
  2. SSH-RTFB080, BLACK HOLDER.
  3. UV EPOXY TO RETAIN LED IN HOLDER.

UNCONTROLLED DOCUMENT

\*UNLESS OTHERWISE SPECIFIED TOLERANCES PER DECIMAL PRECISION ARE: X=±1 (±0.039), X.X=±0.5 (±0.020), X.XX=±0.25 (±0.010), X.XXX=±0.127 (±0.005). LEAD SIZE=±0.05 (±0.002), LEAD LENGTH=±0.75 (±0.030). MIN= <sup>+0.00</sup> -0.00 DECIMAL PRECISION MAX= <sup>+0.00</sup> -0.00 DECIMAL PRECISION

|           |                              |
|-----------|------------------------------|
| REV.<br>A | PART NUMBER<br>SSI-LXH8080YD |
|-----------|------------------------------|

CONFIDENTIAL INFORMATION  
THE INFORMATION CONTAINED IN THIS DOCUMENT IS THE PROPERTY OF LUMEX INC. EXCEPT AS SPECIFICALLY AUTHORIZED IN WRITING BY LUMEX INC, THE HOLDER OF THIS DOCUMENT SHALL KEEP ALL INFORMATION CONTAINED HEREIN CONFIDENTIAL AND SHALL PROTECT SAME IN WHOLE OR IN PART FROM DISCLOSURE AND DISSEMINATION TO ALL THIRD PARTIES.



290 E. HELEN ROAD  
PALATINE, IL 60067-6976  
PHONE: +1.847.359.2790  
US WEB: www.lumex.com  
TW WEB: www.lumex.com.tw



T-8mm 585nm YELLOW LED PANEL INDICATOR,  
YELLOW DIFFUSED LENS.

RELIABILITY NOTE  
OUR MANY YEARS OF EXPERIENCE DATA ACCUMULATION INDICATE THAT SOLDER HEAT IS A MAJOR CAUSE OF EARLY AND FUTURE FAILURE. PLEASE PAY ATTENTION TO YOUR SOLDERING PROCESS.

|                 |             |              |              |
|-----------------|-------------|--------------|--------------|
| DRAWN BY:<br>BC | CHECKED BY: | APPROVED BY: | DATE: 8.3.93 |
|                 |             |              | PAGE: 1 OF 1 |
|                 |             |              | SCALE: N/A   |

## Looking for pricing, stock, or lifecycle information?

Click below to explore more details on WIN SOURCE:

-  [View SSI-LXH8080YD on WIN SOURCE](#)
-  [Lumex Opto/Components Inc. Information](#)

## Optimize Your Supply Chain with WIN SOURCE Solutions

-  Global Sourcing Solution
-  Obsolete Management
-  Cost Control Management
-  Shortage Management
-  Alternative Solution
-  Excess Inventory Management