

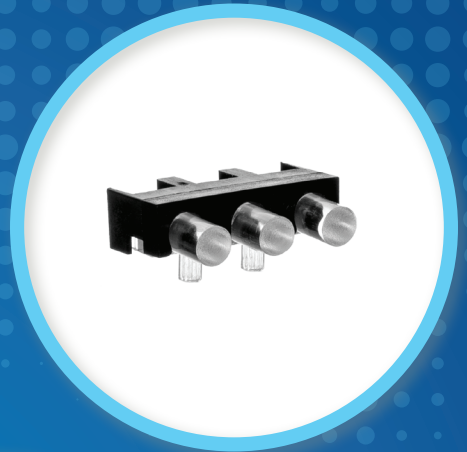


**THE DATASHEET OF**  
**5151049F**



# OPTOPIPE<sup>®</sup> Light Pipes

## SELECTOR GUIDE



# CONTENTS

## PCB MOUNT

Right Angle / Single Position / Single-Level .....4  
 Right Angle / Single Position / Multi-Level .....7  
 Right Angle / Multi-Array / Single-Level .....10

## PANEL MOUNT

Right Angle / Single Position / Single-Level .....13  
 Right Angle / Multi-Array / Single-Level .....13  
 Vertical / Single Position / Single-Level .....14  
 Vertical / Multi-Array / Single-Level .....14

## SWITCH MOUNT

Vertical / Single Position / Single-Level .....15

## SURFACE MOUNT

Recommended Micro led® Surface Mount LEDs .....16

## ACTUATOR EXTENSIONS

OPTOPIPE® Light Pipe Actuator Extensions .....17

## VARIABLE LENGTH OPTOPIPE® LIGHT PIPES

Vertical Board Mount OPTOPIPE® Light Pipes  
 3mm Diameter Output .....19  
 XY Variable Length/Height, Right Angle OPTOPIPE® Light Pipes  
 3mm Diameter Output .....22  
 Vertical Panel Mount OPTOPIPE® Light Pipes  
 3mm Diameter Output .....26  
 Reverse Mount OPTOPIPE® Light Pipes  
 3mm Diameter Output .....28  
 OPTOPIPE® Countersink Light Pipes  
 1mm, 2mm and 3mm Diameter Output .....31  
 Vertical Panel Mount OPTOPIPE® Light Pipes  
 5mm Diameter Output .....34  
 Right Angle Vertical Panel Mount OPTOPIPE® Light Pipes  
 5mm Diameter Output .....37

**OE PRODUCT SHOWCASE** .....40



### MOUNTING OPTIONS

Light pipes are either PCB or panel mounted.


Mounted to a PCB by pressing into holes drilled into the PCB.


Pressed into the front-panel and rest on the PCB, just above the LED(s).


Epoxy or heat-staking for extra support depending on application.

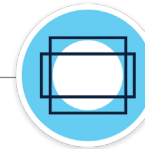


### POSITIONS & DIRECTIONS

Single and multiple positions  










Vertical and horizontal directions  
 Right angle  


Multi-Level  




### LENS TYPES

Depending on application needs there are several available lens options:

- |   |  |
|---|--|
| Round        | Flat      |
| Square       | Convex    |
| Rectangular  | Domed     |
| Textured     | Polished  |



### MATERIALS

Light pipes are typically produced from:

- Polycarbonate
- Other optical grade material



### SHIELDING OPTIONS

Shielded and Unshielded

Shielding optimizes the light output of the light pipe by preventing light bleed and eliminating optical cross talk between adjacent light sources.

# OVERVIEW

## WHY LIGHT PIPES?

Visual status indication provides for safe and reliable operation of electrical equipment, instruments, and electronic devices and also serves diagnostic purposes as well.

While lamp holders, which utilize separate incandescent or neon bulbs and lens caps, dominated the market in the majority of the 20th century, LED-based light sources are predominantly used today to provide visual indication.

## TECHNICAL SOLUTIONS

Light-pipes provide front-panel indication where:

- Traditional indicators are too large or other space constraints exist
- Indication is required over, around, or beneath front-panel components
- EMI/RFI concerns require location of the light source away from the front-panel
- Indication is desired after all mechanical design considerations were made

We also design light pipes for non-diagnostic applications, including lighted company logos. Light loss between the LED and light-pipe interface must be considered and there is also additional transmission loss through the pipe or wherever there is a bend. The shape of the light-pipe also influences the output.

Dialight's design engineers will recommend the best LED for use with each light pipe.

## DIALIGHT OPTOPIPE®

Dialight's expertise in LED indication and lighting is apparent in our line of engineered light-pipes. Dialight has been a leading manufacturer of light pipes for network communication and electronic equipment for more than 10 years.

Our 200 standard and custom solutions are complemented by new designs resulting from customer requirements or market developments.

Dialight's optical and mechanical engineers use the latest modeling tools to develop mechanical and optical simulations that ensure expected performance of the design. SLAs are available to represent the physical and optical characteristics of the design.

Dialight also has an extensive optics lab for post-design measurement and analysis. With various single and multiple position products for either Panel Mount or PCB Mount oriented light pipes already in production, we also have the added capability to manufacture custom solutions to meet your specific requirements.



## FEATURES AND BENEFITS

### Design Flexibility

- LED light pipes are available in numerous configurations and styles to accommodate even the most challenging indication needs.
- Easy installation on a PCB or in a panel.
- Light pipes can be used with surface mount or through hole LEDs.\*
- They offer a degree of customization. X/Y variable and vertical light pipes offer the most customization options for height and length dimensions.

### Cost Savings

- Light Pipes are generally more cost-efficient than alternative indicator technologies.
- They eliminate the need for costly PCB or panel layout redesigns.

### Performance

- Light Pipes provide unvarying indicator illumination across different heights and lengths of the pipe.
- Shielded light pipes efficiently eliminate light bleed and optical cross-talk.
- Molded from RoHS compliant UL94-V0 Water Clear Polycarbonate with an oxygen index of 35%.

*\*Dialight generally recommends a specific LED for use with a given light pipe.*

## TYPICAL APPLICATIONS

- Data center Infrastructure
- Servers - rack mount; blade; tower
- Storage – high-performance storage subsystems for high-end enterprise
- Networking equipment for enterprise data centers and telecom communication centers
- Switches, routers, and network control equipment interconnected using fiber optic and high speed wiring
- Storage networking hardware
- Fiber channel host bus adapter cards (HBAs); converged network adapter cards (CNAs); iSCSI adapter cards; InfiniBand adapter cards
- Next-Gen wireless
- Wireless infrastructure
- Electronic test and measurement instruments
- Communications testing equipment
- Process controls
- Automation
- Medical
- Handheld devices

**RIGHT ANGLE / SINGLE POSITION / SINGLE-LEVEL**

**CLICK** on boxes below for more information 



**515-1001F**

PCB TO CENTERLINE OF LENS  
0.125" (3.175mm)  
OVERALL LENGTH  
0.719" (18.263mm)  
OVERALL WIDTH  
1.056" (26.82mm)  
OVERALL HEIGHT FROM PCB  
0.245" (6.223mm)

**SUGGESTED LED PACKAGES**  
PLCC-2, PLCC-4, 3528



**515-1011F**

PCB TO CENTERLINE OF LENS  
0.250" (6.35mm)  
OVERALL LENGTH  
0.575" (14.605mm)  
OVERALL WIDTH  
0.422" (10.719mm)  
OVERALL HEIGHT FROM PCB  
0.345" (8.763mm)

**SUGGESTED LED PACKAGES**  
PLCC-2, PLCC-4, 3528



**515-1038F**

PCB TO CENTERLINE OF LENS  
0.320" (8.13mm)  
OVERALL LENGTH  
1.026" (26.06mm)  
OVERALL WIDTH  
0.462" (11.73mm)  
OVERALL HEIGHT FROM PCB  
0.43" (10.92mm)

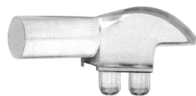
**SUGGESTED LED PACKAGES**  
PLCC-2, PLCC-4, 3528



**515-1039F**

PCB TO CENTERLINE OF LENS  
0.882" (22.4mm)  
OVERALL LENGTH  
1.026" (26.06mm)  
OVERALL WIDTH  
0.479" (12.17mm)  
OVERALL HEIGHT FROM PCB  
1.00" (25.4mm)

**SUGGESTED LED PACKAGES**  
PLCC-2, PLCC-4, 3528



**515-1049F**

PCB TO CENTERLINE OF LENS  
0.106" (2.69mm)  
OVERALL LENGTH  
0.65" (16.51mm)  
OVERALL WIDTH  
0.14" (3.55mm)  
OVERALL HEIGHT FROM PCB  
0.21" (5.33mm)

**SUGGESTED LED PACKAGES**  
PLCC-2, PLCC-4, 3528



**515-1049-802F**

PCB TO CENTERLINE OF LENS  
0.106" (2.69mm)  
OVERALL LENGTH  
0.52" (13.21mm)  
OVERALL WIDTH  
0.14" (3.55mm)  
OVERALL HEIGHT FROM PCB  
0.21" (5.33mm)

**SUGGESTED LED PACKAGES**  
PLCC-2, PLCC-4, 3528



**515-1054F**

OVERALL LENGTH  
0.355" (9.02mm)  
OVERALL HEIGHT FROM PCB  
0.450" (11.43mm)

**SUGGESTED LED PACKAGES**  
PLCC-2, PLCC-4, 3528



**515-1054-801F**

PCB TO CENTERLINE OF LENS  
0.350" (8.89mm)  
OVERALL LENGTH  
0.355" (9.02mm)  
OVERALL WIDTH  
0.410" (10.41mm)  
OVERALL HEIGHT FROM PCB  
0.450" (11.43mm)

**SUGGESTED LED PACKAGES**  
PLCC-2, PLCC-4, 3528



**515-1061-801F**

PCB TO CENTERLINE OF LENS  
0.100" (2.54mm)  
OVERALL LENGTH  
0.55" (13.9mm)  
OVERALL WIDTH  
0.180" (4.57mm)  
OVERALL HEIGHT FROM PCB  
0.360" (9.14mm)

**SUGGESTED LED PACKAGES**  
1208, 1210



**515-1061-803F**

PCB TO CENTERLINE OF LENS  
0.100" (2.54mm)  
OVERALL LENGTH  
0.55" (13.9mm)  
OVERALL WIDTH  
0.180" (4.57mm)  
OVERALL HEIGHT FROM PCB  
0.360" (9.14mm)

**SUGGESTED LED PACKAGES**  
1208, 1210



**515-1105F**

OVERALL LENGTH  
0.700" (17.78mm)  
OVERALL WIDTH  
0.128" (3.24mm)  
OVERALL HEIGHT FROM PCB  
0.159" (4.04mm) max

**SUGGESTED LED PACKAGES**  
1208, 1210



**515-1111F**

PCB TO CENTERLINE OF LENS  
0.563" (14.30mm)  
OVERALL LENGTH  
2.061" (52.35mm)  
OVERALL WIDTH  
0.380" (9.65mm)  
OVERALL HEIGHT FROM PCB  
0.613" (15.57mm)

**SUGGESTED LED PACKAGES**  
1208, 1210

**Need assistance choosing the best LED for your light pipe application? Contact us today!**

**RIGHT ANGLE / SINGLE POSITION / SINGLE-LEVEL**

**CLICK** on boxes below for more information 



**515-1114-801F**

PCB TO CENTERLINE OF LENS  
0.300" (7.62mm)  
OVERALL LENGTH  
0.700" (17.78mm)  
OVERALL WIDTH  
0.180" (4.57mm)  
OVERALL HEIGHT FROM PCB  
0.360" (9.14mm)  
**SUGGESTED LED PACKAGES**  
1208, 1210



**515-1135F**

PCB TO CENTERLINE OF LENS  
0.250" (6.35mm)  
OVERALL LENGTH  
2.369" (60.17mm)  
OVERALL HEIGHT FROM PCB  
0.475" (12.07mm)  
**SUGGESTED LED PACKAGES**  
1208, 1210



**515-1136F**

PCB TO CENTERLINE OF LENS  
0.250" (6.35mm)  
OVERALL LENGTH  
2.369" (60.17mm)  
OVERALL HEIGHT FROM PCB  
0.475" (12.07mm)  
**SUGGESTED LED PACKAGES**  
1208, 1210



**515-1137F**

PCB TO CENTERLINE OF LENS  
0.075" (1.91mm)  
OVERALL LENGTH  
0.69" (17.53mm)  
OVERALL WIDTH  
0.225" (5.72mm)  
OVERALL HEIGHT FROM PCB  
0.159" (4.04mm) max  
**SUGGESTED LED PACKAGES**  
1208, 1210



**515-1137-802F**

OVERALL LENGTH  
0.699" (17.74mm)  
OVERALL WIDTH  
0.225" (5.72mm)  
OVERALL HEIGHT FROM PCB  
0.158" (4mm)  
**SUGGESTED LED PACKAGES**  
1208, 1210



**515-1141-160F**

PCB TO CENTERLINE OF LENS  
0.197" (5mm)  
OVERALL LENGTH  
0.708" (17.98mm)  
OVERALL WIDTH  
0.420" (10.67mm)  
OVERALL HEIGHT FROM PCB  
0.236" (6mm)  
**SUGGESTED LED PACKAGES**  
PLCC-2, PLCC-4, 3528



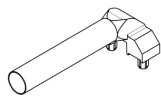
**515-1141-195F**

PCB TO CENTERLINE OF LENS  
0.197" (5mm)  
OVERALL LENGTH  
0.8456" (21.48mm)  
OVERALL WIDTH  
0.420" (10.67mm)  
OVERALL HEIGHT FROM PCB  
0.336" (8.54mm)  
**SUGGESTED LED PACKAGES**  
PLCC-2, PLCC-4, 3528



**515-1141-250F**

PCB TO CENTERLINE OF LENS  
0.197" (5mm)  
OVERALL LENGTH  
1.0622" (26.98mm)  
OVERALL WIDTH  
0.420" (10.67mm)  
OVERALL HEIGHT FROM PCB  
0.336" (8.54mm)  
**SUGGESTED LED PACKAGES**  
PLCC-2, PLCC-4, 3528



**515-1142-170F**

PCB TO CENTERLINE OF LENS  
0.197" (5mm)  
OVERALL LENGTH  
0.747" (18.98mm)  
OVERALL WIDTH  
0.420" (10.67mm)  
OVERALL HEIGHT FROM PCB  
0.276" (7mm)  
**SUGGESTED LED PACKAGES**  
PLCC-2, PLCC-4, 3528



**515-1142-195F**

PCB TO CENTERLINE OF LENS  
0.197" (5mm)  
OVERALL LENGTH  
0.8456" (21.48mm)  
OVERALL WIDTH  
0.420" (10.67mm)  
OVERALL HEIGHT FROM PCB  
0.376" (9.55mm)  
**SUGGESTED LED PACKAGES**  
PLCC-2, PLCC-4, 3528



**515-1142-250F**

PCB TO CENTERLINE OF LENS  
0.197" (5mm)  
OVERALL LENGTH  
1.06" (26.98mm)  
OVERALL WIDTH  
0.420" (10.67mm)  
OVERALL HEIGHT FROM PCB  
0.276" (7mm)  
**SUGGESTED LED PACKAGES**  
PLCC-2, PLCC-4, 3528



**515-1154F**

PCB TO CENTERLINE OF LENS  
0.030" (0.76mm)  
OVERALL LENGTH  
1.811" (46mm)  
OVERALL WIDTH  
0.118" (3.0mm)  
OVERALL HEIGHT FROM PCB  
0.060" (1.52mm)  
**SUGGESTED LED PACKAGES**  
1208 right angle

**Need assistance choosing the best LED for your light pipe application? Contact us today!**

# PCB MOUNT

## RIGHT ANGLE / SINGLE POSITION / SINGLE-LEVEL

**CLICK** on boxes below for more information 



**515-1154-801F**  
 PCB TO CENTERLINE OF LENS  
 0.030" (0.76mm)  
 OVERALL LENGTH  
 0.945" (24mm)  
 OVERALL WIDTH  
 0.118" (3.0mm)  
 OVERALL HEIGHT FROM PCB  
 0.060" (1.52mm)  
**SUGGESTED LED PACKAGES**  
 1208 right angle



**515-1154-803F**  
 PCB TO CENTERLINE OF LENS  
 0.030" (0.76mm)  
 OVERALL LENGTH  
 0.674" (17.12mm)  
 OVERALL WIDTH  
 0.118" (3.0mm)  
 OVERALL HEIGHT FROM PCB  
 0.060" (1.52mm)  
**SUGGESTED LED PACKAGES**  
 1208 right angle




**515-1154-804F**  
 OVERALL LENGTH  
 1.508" (38.3mm)  
 OVERALL HEIGHT FROM PCB  
 0.060" (1.52mm)  
**SUGGESTED LED PACKAGES**  
 1208 right angle




**515-1173F**  
 OVERALL LENGTH  
 0.700" (17.78mm)  
 OVERALL HEIGHT FROM PCB  
 0.159" (4.04mm)  
**SUGGESTED LED PACKAGES**  
 1208, 1210



**515-1174F**  
 OVERALL LENGTH  
 0.700" (17.78mm)  
 OVERALL HEIGHT FROM PCB  
 0.159" (4.04mm)  
**SUGGESTED LED PACKAGES**  
 1208, 1210



**515-1203F**  
 PCB TO CENTERLINE OF LENS  
 0.100" (2.54mm)  
 OVERALL LENGTH  
 0.553" (14.05mm)  
 OVERALL WIDTH  
 0.175" (4.45mm)  
 OVERALL HEIGHT FROM PCB  
 0.161" (4.09mm)  
**SUGGESTED LED PACKAGES**  
 1208, 1210



**515-1207F**  
 PCB TO CENTERLINE OF LENS  
 0.150" (3.81mm)  
 OVERALL LENGTH  
 0.715" (18.15mm)  
 OVERALL WIDTH  
 0.160" (4.06mm)  
 OVERALL HEIGHT FROM PCB  
 0.335" (8.51mm)  
**SUGGESTED LED PACKAGES**  
 1208



**515-1231F**  
 PCB TO CENTERLINE OF LENS  
 0.123" (3.11mm)  
 OVERALL LENGTH  
 0.778" (1.97mm)  
 OVERALL WIDTH  
 0.152" (3.85mm)  
 OVERALL HEIGHT FROM PCB  
 0.516" (2.5mm)  
**SUGGESTED LED PACKAGES**  
 0402, 0404, 0603

SEE PAGE 9 for more options!

## VERTICAL / SINGLE POSITION / SINGLE-LEVEL



515 SERIES  
**Vertical Board Mount OPTOPIPE® Light Pipes**  
 3mm Diameter Output  
[CLICK HERE](#)

Need assistance choosing the best LED for your light pipe application? [Contact us today!](#)

**RIGHT ANGLE / SINGLE POSITION / MULTI-LEVEL**

**CLICK** on boxes below for more information 



**515-1009F**

PCB TO CENTERLINE OF LENS  
0.202" (5.13mm)  
OVERALL LENGTH  
0.954" (24.24mm)  
OVERALL WIDTH  
0.470" (11.94mm)  
OVERALL HEIGHT FROM PCB  
0.653" (16.59mm)

**SUGGESTED LED PACKAGES**  
1208, 1210



**515-1023F**

PCB TO CENTERLINE OF LENS  
0.203" (5.156mm)  
OVERALL LENGTH  
1.125" (28.575mm)  
OVERALL WIDTH  
0.470" (11.938mm)  
OVERALL HEIGHT FROM PCB  
0.850" (21.59mm)

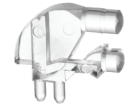
**SUGGESTED LED PACKAGES**  
0606, 1210



**515-1023-806F**

PCB TO CENTERLINE OF LENS  
0.203" (5.156mm)  
OVERALL LENGTH  
1.363" (34.62mm)  
OVERALL WIDTH  
0.470" (11.938mm)  
OVERALL HEIGHT FROM PCB  
0.851" (21.6mm)

**SUGGESTED LED PACKAGES**  
0606, 1210



**515-1061F**

PCB TO CENTERLINE OF LENS  
0.100" (2.54mm)  
OVERALL LENGTH  
0.55" (13.9mm)  
OVERALL WIDTH  
0.180" (4.57mm)  
OVERALL HEIGHT FROM PCB  
0.360" (9.14mm)

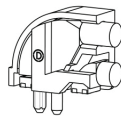
**SUGGESTED LED PACKAGES**  
1208, 1210



**515-1061-802F**

PCB TO CENTERLINE OF LENS  
0.100" (2.54mm)  
OVERALL LENGTH  
0.55" (13.9mm)  
OVERALL WIDTH  
0.180" (4.57mm)  
OVERALL HEIGHT FROM PCB  
0.360" (9.14mm)

**SUGGESTED LED PACKAGES**  
1208, 1210



**515-1061-805F**

PCB TO CENTERLINE OF LENS  
0.100" (2.54mm)  
OVERALL LENGTH  
0.610" (15.49mm)  
OVERALL WIDTH  
0.237" (6.02mm)  
OVERALL HEIGHT FROM PCB  
0.403" (10.24mm)

**SUGGESTED LED PACKAGES**  
1206, 1208, 1210, 0603, 0606



**515-1061-806F**

OVERALL LENGTH  
0.550" (13.97mm)  
OVERALL WIDTH  
0.180" (4.57mm)  
OVERALL HEIGHT FROM PCB  
0.360" (9.14mm)

**SUGGESTED LED PACKAGES**  
1208, 1210



**515-1064F**

PCB TO CENTERLINE OF LENS  
0.150" (3.81mm)  
OVERALL LENGTH  
0.900" (22.9mm)  
OVERALL WIDTH  
0.200" (5.08mm)  
OVERALL HEIGHT FROM PCB  
0.54" (13.7mm)

**SUGGESTED LED PACKAGES**  
1208, 1210



**515-1064-804F**

PCB TO CENTERLINE OF LENS  
0.150" (3.81mm)  
OVERALL LENGTH  
0.950" (24.13mm)  
OVERALL WIDTH  
0.206" (5.23mm)  
OVERALL HEIGHT FROM PCB  
0.585" (14.86mm)

**SUGGESTED LED PACKAGES**  
1206, 1208, 1210, 0603, 0606



**515-1064-807F**

PCB TO CENTERLINE OF LENS  
0.128" (3.25mm)  
OVERALL LENGTH  
0.900" (22.9mm)

**SUGGESTED LED PACKAGES**  
1206, 1208, 1210, 0603, 0606



**515-1064-808F**

PCB TO CENTERLINE OF LENS  
0.150" (3.81mm)  
OVERALL LENGTH  
0.950" (24.13mm)  
OVERALL WIDTH  
0.206" (5.23mm)  
OVERALL HEIGHT FROM PCB  
0.545" (13.84mm)

**SUGGESTED LED PACKAGES**  
1206, 1208, 1210, 0603, 0606



**515-1064-811F**

PCB TO CENTERLINE OF LENS  
0.150" (3.81mm)  
OVERALL LENGTH  
0.903" (22.94mm)

**SUGGESTED LED PACKAGES**  
1206, 1208, 1210, 0603, 0606

**Need assistance choosing the best LED for your light pipe application? Contact us today!**

RIGHT ANGLE / SINGLE POSITION / MULTI-LEVEL

CLICK on boxes below for more information 



**515-1064-812F**

PCB TO CENTERLINE OF LENS  
0.106" (2.69mm)  
OVERALL LENGTH  
0.692" (17.58mm)  
OVERALL WIDTH  
0.197" (5.01mm)  
OVERALL HEIGHT FROM PCB  
0.461" (11.72mm)

**SUGGESTED LED PACKAGES**  
1208, 1210, 0606, 1206, 0603



**515-1064-813F**

PCB TO CENTERLINE OF LENS  
0.150" (3.81mm)  
OVERALL LENGTH  
0.903" (22.94mm)  
OVERALL HEIGHT FROM PCB  
0.396" (10.06mm)

**SUGGESTED LED PACKAGES**  
1208, 1210, 0606, 1206, 0603



**515-1094F**

PCB TO CENTERLINE OF LENS  
0.100" (2.54mm)  
OVERALL LENGTH  
0.700" (17.78mm)  
OVERALL WIDTH  
0.180" (4.57mm)  
OVERALL HEIGHT FROM PCB  
0.360" (9.1mm)

**SUGGESTED LED PACKAGES**  
1208, 1210



**515-1094-801F**

PCB TO CENTERLINE OF LENS  
0.100" (2.54mm)  
OVERALL LENGTH  
0.700" (17.78mm)  
OVERALL WIDTH  
0.180" (4.57mm)  
OVERALL HEIGHT FROM PCB  
0.360" (9.1mm)

**SUGGESTED LED PACKAGES**  
1208, 1210



**515-1094-803F**

PCB TO CENTERLINE OF LENS  
0.100" (2.54mm)  
OVERALL LENGTH  
0.734" (18.64mm)  
OVERALL WIDTH  
0.168" (4.26mm)  
OVERALL HEIGHT FROM PCB  
0.369" (9.37mm)

**SUGGESTED LED PACKAGES**  
1208, 1210



**515-1094-804F**

PCB TO CENTERLINE OF LENS  
0.100" (2.54mm)  
OVERALL LENGTH  
0.761" (19.33mm)  
OVERALL WIDTH  
0.237" (6.02mm)  
OVERALL HEIGHT FROM PCB  
0.403" (10.24mm)

**SUGGESTED LED PACKAGES**  
1208, 1210, 0606, 1206, 0603



**515-1108F**

PCB TO CENTERLINE OF LENS  
0.203" (5.16mm)  
OVERALL LENGTH  
0.950" (24.13mm)  
OVERALL WIDTH  
0.470" (11.94mm)  
OVERALL HEIGHT FROM PCB  
0.660" (16.76mm)

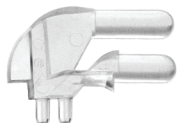
**SUGGESTED LED PACKAGES**  
1208, 1210



**515-1108-802F**

PCB TO CENTERLINE OF LENS  
0.398" (10.11mm)  
OVERALL LENGTH  
0.950" (24.13mm)  
OVERALL WIDTH  
0.470" (11.94mm)  
OVERALL HEIGHT FROM PCB  
0.656" (16.65mm)

**SUGGESTED LED PACKAGES**  
1208, 1210



**515-1114F**

PCB TO CENTERLINE OF LENS  
0.100" (2.54mm)  
OVERALL LENGTH  
0.700" (17.8mm)  
OVERALL WIDTH  
0.180" (4.6mm)  
OVERALL HEIGHT FROM PCB  
0.360" (9.14mm)

**SUGGESTED LED PACKAGES**  
1208, 1210



**515-1204F**

PCB TO CENTERLINE OF LENS  
0.100" (2.54mm)  
OVERALL LENGTH  
0.782" (19.86mm)  
OVERALL WIDTH  
0.175" (4.45mm)  
OVERALL HEIGHT FROM PCB  
0.360" (9.14mm)

**SUGGESTED LED PACKAGES**  
1208, 1210



**515-1205F**

PCB TO CENTERLINE OF LENS  
0.150" (3.81mm)  
OVERALL LENGTH  
0.921" (23.39mm)  
OVERALL WIDTH  
0.160" (4.06mm)  
OVERALL HEIGHT FROM PCB  
0.485" (12.32mm)

**SUGGESTED LED PACKAGES**  
1208, 1210



**515-1206F**

PCB TO CENTERLINE OF LENS  
0.150" (3.81mm)  
OVERALL LENGTH  
0.718" (18.24mm)  
OVERALL WIDTH  
0.160" (4.06mm)  
OVERALL HEIGHT FROM PCB  
0.335" (8.51mm)

**SUGGESTED LED PACKAGES**  
1208, 1210

Need assistance choosing the best LED for your light pipe application? [Contact us today!](#)

**RIGHT ANGLE / SINGLE POSITION / MULTI-LEVEL**

**CLICK** on boxes below for more information 



**515-1230F**

PCB TO CENTERLINE OF LENS  
0.123" (3.11mm)  
OVERALL LENGTH  
0.778" (1.97mm)  
OVERALL WIDTH  
0.152" (3.85mm)  
OVERALL HEIGHT FROM PCB  
0.516" (2.5mm)  
**SUGGESTED LED PACKAGES**  
0402, 0404, 0603



**515-1232F**

PCB TO CENTERLINE OF LENS  
0.123" (3.11mm)  
OVERALL LENGTH  
0.778" (1.97mm)  
OVERALL WIDTH  
0.152" (3.85mm)  
OVERALL HEIGHT FROM PCB  
0.516" (2.5mm)  
**SUGGESTED LED PACKAGES**  
0402, 0404, 0603



**515-1233F**

PCB TO CENTERLINE OF LENS  
0.123" (3.11mm)  
OVERALL LENGTH  
0.778" (1.97mm)  
OVERALL WIDTH  
0.152" (3.85mm)  
OVERALL HEIGHT FROM PCB  
0.516" (2.5mm)  
**SUGGESTED LED PACKAGES**  
0402, 0404, 0603

**RIGHT ANGLE / MULTI-ARRAY / SINGLE-LEVEL**



**515-1000F**

PCB TO CENTERLINE OF LENS  
0.125" (3.175mm)  
OVERALL LENGTH  
0.719" (18.263mm)  
OVERALL WIDTH  
1.056" (26.82mm)  
OVERALL HEIGHT FROM PCB  
0.245" (6.223mm)  
**SUGGESTED LED PACKAGES**  
PLCC-2, PLCC-4, 3528



**515-1005F**

PCB TO CENTERLINE OF LENS  
.089" (2.25mm)  
OVERALL LENGTH  
0.58" (14.73mm)  
OVERALL WIDTH  
0.36" (9.14mm)  
OVERALL HEIGHT FROM PCB  
0.18" (4.57mm)  
**SUGGESTED LED PACKAGES**  
0603, 0805, 1206



**515-1010F**

PCB TO CENTERLINE OF LENS  
0.250" (6.35mm)  
OVERALL LENGTH  
0.575" (14.605mm)  
OVERALL WIDTH  
1.190" (30.226mm)  
OVERALL HEIGHT FROM PCB  
0.345" (8.763mm)  
**SUGGESTED LED PACKAGES**  
PLCC-2, PLCC-4, 3528



**515-1020F**

PCB TO CENTERLINE OF LENS  
0.094" (2.388mm)  
OVERALL LENGTH  
0.514" (13.056mm)  
OVERALL WIDTH  
0.892" (22.657mm)  
OVERALL HEIGHT FROM PCB  
0.165" (4.191mm)  
**SUGGESTED LED PACKAGES**  
1208, 1206



**515-1020-804F**

PCB TO CENTERLINE OF LENS  
0.094" (2.39mm)  
OVERALL LENGTH  
0.514" (13.06mm)  
OVERALL WIDTH  
0.640" (16.26mm)  
OVERALL HEIGHT FROM PCB  
0.165" (4.19mm)  
**SUGGESTED LED PACKAGES**  
1208, 1206



**515-1020-805F**

PCB TO CENTERLINE OF LENS  
0.094" (2.388mm)  
OVERALL LENGTH  
0.514" (13.056mm)  
OVERALL WIDTH  
0.640" (16.256mm)  
OVERALL HEIGHT FROM PCB  
0.210" (5.334mm)  
**SUGGESTED LED PACKAGES**  
0603, 0805, 1206



**515-1020-806F**

PCB TO CENTERLINE OF LENS  
0.094" (2.388mm)  
OVERALL LENGTH  
0.514" (13.056mm)  
OVERALL WIDTH  
0.935" (23.75mm)  
OVERALL HEIGHT FROM PCB  
0.210" (5.334mm)  
**SUGGESTED LED PACKAGES**  
0603, 0805, 1206



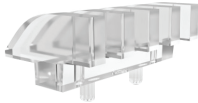
**515-1022F**

PCB TO CENTERLINE OF LENS  
0.750" (19.05mm)  
OVERALL LENGTH  
1.230" (31.24mm)  
OVERALL WIDTH  
1.850" (46.99mm)  
OVERALL HEIGHT FROM PCB  
0.810" (20.574mm)  
**SUGGESTED LED PACKAGES**  
1208, 1210

**Need assistance choosing the best LED for your light pipe application? Contact us today!**

**RIGHT ANGLE / MULTI-ARRAY / SINGLE-LEVEL**

**CLICK** on boxes below for more information 



**515-1029F**

PCB TO CENTERLINE OF LENS  
0.232" (5.89mm)  
OVERALL LENGTH  
0.560" (14.22mm)  
OVERALL WIDTH  
0.896" (22.76mm)  
OVERALL HEIGHT FROM PCB  
0.330" (8.38mm)

**SUGGESTED LED PACKAGES**  
PLCC-2, PLCC-4, 3528



**515-1030F**

PCB TO CENTERLINE OF LENS  
0.059" (1.5mm)  
OVERALL LENGTH  
0.48" (12.2mm)  
OVERALL WIDTH  
1.75" (44.5mm)  
OVERALL HEIGHT FROM PCB  
0.118" (3mm)

**SUGGESTED LED PACKAGES**  
1206, 1208, 1210, Mini PLCC-2



**515-1037F**

PCB TO CENTERLINE OF LENS  
0.375" (9.53mm)  
OVERALL LENGTH  
1.115" (28.32mm)  
OVERALL WIDTH  
1.370" (34.8mm)  
OVERALL HEIGHT FROM PCB  
0.460" (11.68mm)

**SUGGESTED LED PACKAGES**  
PLCC-2, PLCC-4, 3528



**515-1045F**

PCB TO CENTERLINE OF LENS  
0.740" (18.8mm)  
OVERALL LENGTH  
2.475" (62.87mm)  
OVERALL WIDTH  
1.730" (43.94mm)  
OVERALL HEIGHT FROM PCB  
0.790" (20.07mm)

**SUGGESTED LED PACKAGES**  
PLCC-2, PLCC-4, 3528



**515-1048F**

PCB TO CENTERLINE OF LENS  
0.094" (2.38mm)  
OVERALL WIDTH  
0.514" (13.06mm)

**SUGGESTED LED PACKAGES**  
0603, 0805, 1206



**515-1048-801F**

PCB TO CENTERLINE OF LENS  
0.094" (2.38mm)  
OVERALL LENGTH  
0.514" (13.06mm)  
OVERALL WIDTH  
0.935" (23.7mm)  
OVERALL HEIGHT FROM PCB  
0.21" (3.3mm)

**SUGGESTED LED PACKAGES**  
0603, 0805, 1206



**515-1051F**

PCB TO CENTERLINE OF LENS  
0.350" (8.89mm)  
OVERALL LENGTH  
0.430" (10.92mm)  
OVERALL WIDTH  
0.560" (14.22mm)  
OVERALL HEIGHT FROM PCB  
0.450" (11.43mm)

**SUGGESTED LED PACKAGES**  
PLCC-2, PLCC-4, 3528



**515-1052F**

PCB TO CENTERLINE OF LENS  
0.569" (14.45mm)  
OVERALL LENGTH  
1.260" (32mm)  
OVERALL HEIGHT FROM PCB  
0.646" (16.41mm)

**SUGGESTED LED PACKAGES**  
PLCC-2, PLCC-4, 3528



**515-1062F**

PCB TO CENTERLINE OF LENS  
0.150" (3.81mm)  
OVERALL LENGTH  
1.358" (34.49mm)  
OVERALL WIDTH  
0.375" (9.53mm)  
OVERALL HEIGHT FROM PCB  
0.239" (6.07mm)

**SUGGESTED LED PACKAGES**  
1208, 1210



**515-1062-801F**

PCB TO CENTERLINE OF LENS  
0.150" (3.81mm)  
OVERALL LENGTH  
0.590" (14.99mm)  
OVERALL WIDTH  
0.375" (9.53mm)  
OVERALL HEIGHT FROM PCB  
0.349" (8.86mm)

**SUGGESTED LED PACKAGES**  
1208, 1210



**515-1063F**

PCB TO CENTERLINE OF LENS  
0.320" (8.13mm)  
OVERALL LENGTH  
1.360" (34.54mm)  
OVERALL WIDTH  
0.710" (18.03mm)  
OVERALL HEIGHT FROM PCB  
0.409" (10.39mm)

**SUGGESTED LED PACKAGES**  
1208, 1210



**515-1069F**

PCB TO CENTERLINE OF LENS  
0.094" (2.39mm)  
OVERALL LENGTH  
0.640" (13.26mm)  
OVERALL WIDTH  
0.514" (13.06mm)  
OVERALL HEIGHT FROM PCB  
0.165" (4.19mm)

**SUGGESTED LED PACKAGES**  
1206, 1208

**Need assistance choosing the best LED for your light pipe application? Contact us today!**

**RIGHT ANGLE / MULTI-ARRAY / SINGLE-LEVEL**

**CLICK** on boxes below for more information 



**515-1070F**

PCB TO CENTERLINE OF LENS  
0.750" (19.05mm)  
OVERALL LENGTH  
1.230" (31.24mm)  
OVERALL WIDTH  
1.388" (35.26mm)  
OVERALL HEIGHT FROM PCB  
0.810" (20.57mm)

**SUGGESTED LED PACKAGES**  
1208, 1210



**515-1071F**

PCB TO CENTERLINE OF LENS  
0.094" (2.39mm)  
OVERALL LENGTH  
0.514" (13.06mm)  
OVERALL WIDTH  
0.500" (12.7mm)  
OVERALL HEIGHT FROM PCB  
0.165" (4.19mm)

**SUGGESTED LED PACKAGES**  
1206, 1208



**515-1078F**

PCB TO CENTERLINE OF LENS  
0.535" (13.59mm)  
OVERALL LENGTH  
2.100" (53.34mm)  
OVERALL WIDTH  
0.900" (22.86mm)  
OVERALL HEIGHT FROM PCB  
0.580" (14.73mm)

**SUGGESTED LED PACKAGES**  
PLCC-2, PLCC-4, 3528



**515-1086F**

PCB TO CENTERLINE OF LENS  
0.125" (3.18mm)  
OVERALL LENGTH  
0.316" (8.03mm)  
OVERALL WIDTH  
0.796" (20.22mm)  
OVERALL HEIGHT FROM PCB  
0.241" (6.12mm)

**SUGGESTED LED PACKAGES**  
0603, 0805, 1206



**515-1090F**

PCB TO CENTERLINE OF LENS  
0.437" (11.09mm)  
OVERALL LENGTH  
1.900" (48.26mm)  
OVERALL WIDTH  
0.460" (11.68mm)  
OVERALL HEIGHT FROM PCB  
0.470" (11.93mm)

**SUGGESTED LED PACKAGES**  
1208, 1210



**515-1090-801F**

PCB TO CENTERLINE OF LENS  
0.437" (11.1mm)  
OVERALL LENGTH  
1.950" (49.53mm)  
OVERALL WIDTH  
0.460" (11.7mm)  
OVERALL HEIGHT FROM PCB  
0.470" (12.1mm)

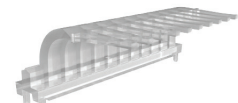
**SUGGESTED LED PACKAGES**  
1208, 1210



**515-1093F**

PCB TO CENTERLINE OF LENS  
0.692" (17.58mm)  
OVERALL LENGTH  
1.350" (34.2mm)  
OVERALL WIDTH  
2.570" (65.3mm)  
OVERALL HEIGHT FROM PCB  
0.740" (18.8mm)

**SUGGESTED LED PACKAGES**  
PLCC-2, PLCC-4, 3528



**515-1093-801F**

PCB TO CENTERLINE OF LENS  
0.692" (17.58mm)  
OVERALL LENGTH  
1.36" (34.5mm)  
OVERALL WIDTH  
2.59" (65.7mm)  
OVERALL HEIGHT FROM PCB  
0.74" (18.8mm)

**SUGGESTED LED PACKAGES**  
PLCC-2, PLCC-4, 3528



**515-1106F**

OVERALL LENGTH  
0.700" (17.78mm)  
OVERALL WIDTH  
0.630" (16.00mm)

**SUGGESTED LED PACKAGES**  
1208, 1210



**515-1113F**

PCB TO CENTERLINE OF LENS  
0.830" (21.08mm)  
OVERALL LENGTH  
1.817" (46.16mm)  
OVERALL WIDTH  
0.894" (22.7mm)  
OVERALL HEIGHT FROM PCB  
0.880" (22.35mm)

**SUGGESTED LED PACKAGES**  
PLCC-2, PLCC-4, 3528



**515-1118F**

PCB TO CENTERLINE OF LENS  
0.513" (13.03mm)  
OVERALL LENGTH  
2.200" (55.88mm)  
OVERALL WIDTH  
0.460" (11.68mm)  
OVERALL HEIGHT FROM PCB  
0.551" (13.98mm)

**SUGGESTED LED PACKAGES**  
1208, 1210



**515-1120F**

PCB TO CENTERLINE OF LENS  
0.259" (6.58mm)  
OVERALL LENGTH  
0.720" (18.29mm)  
OVERALL WIDTH  
0.930" (23.62mm)  
OVERALL HEIGHT FROM PCB  
0.354" (8.99mm)

**SUGGESTED LED PACKAGES**  
PLCC-2, PLCC-4, 3528


**Need assistance choosing the best LED for your light pipe application? Contact us today!**

**RIGHT ANGLE / MULTI-ARRAY / SINGLE-LEVEL**

**CLICK** on boxes below for more information 




**515-1126F**  
 PCB TO CENTERLINE OF LENS  
 0.250" (6.35mm)  
 OVERALL LENGTH  
 1.950" (49.53mm)  
 OVERALL WIDTH  
 0.460" (11.68mm)  
 OVERALL HEIGHT FROM PCB  
 0.288" (7.3mm)  
**SUGGESTED LED PACKAGES**  
 1208, 1210



**515-1138F**  
 OVERALL LENGTH  
 0.700" (17.7mm)  
 OVERALL WIDTH  
 0.678" (17.21mm)  
 OVERALL HEIGHT FROM PCB  
 0.159" (4.04mm)  
**SUGGESTED LED PACKAGES**  
 1208, 1210




**515-1154-802F**  
 OVERALL LENGTH  
 0.945" (24mm)  
 OVERALL HEIGHT FROM PCB  
 0.100" (2.54mm)  
**SUGGESTED LED PACKAGES**  
 1208 Right Angle




**515-1166F**  
 PCB TO CENTERLINE OF LENS  
 0.030" (0.76mm)  
 OVERALL LENGTH  
 0.690" (17.53mm)  
 OVERALL WIDTH  
 0.901" (22.89mm)  
 OVERALL HEIGHT FROM PCB  
 0.075" (1.91mm)  
**SUGGESTED LED PACKAGES**  
 1208 Right Angle




**515-1167F**  
 PCB TO CENTERLINE OF LENS  
 0.059" (1.5mm)  
 OVERALL LENGTH  
 0.370" (9.4mm)  
 OVERALL WIDTH  
 0.658" (16.71mm)  
 OVERALL HEIGHT FROM PCB  
 0.110" (2.79mm)  
**SUGGESTED LED PACKAGES**  
 0603, 0805




**515-1167-801F**  
 PCB TO CENTERLINE OF LENS  
 0.059" (1.5mm)  
 OVERALL LENGTH  
 0.470" (11.94mm)  
 OVERALL WIDTH  
 0.658" (16.71mm)  
 OVERALL HEIGHT FROM PCB  
 0.096" (2.44mm)  
**SUGGESTED LED PACKAGES**  
 0603, 0805




**515-1177-801F**  
 PCB TO CENTERLINE OF LENS  
 0.474" (12.03mm)  
 OVERALL LENGTH  
 2.1145" (53.71 mm)  
 OVERALL WIDTH  
 0.176" (4.48mm)  
 OVERALL HEIGHT FROM PCB  
 0.580" (14.73mm)  
**SUGGESTED LED PACKAGES**  
 0402, 0404, 0603, 0606



**515-1200F**  
 PCB TO CENTERLINE OF LENS  
 0.660" (16.76mm)  
 OVERALL LENGTH  
 2.674" (67.92mm)  
 OVERALL WIDTH  
 0.535" (13.59mm)  
 OVERALL HEIGHT FROM PCB  
 0.710" (18.03mm)  
**SUGGESTED LED PACKAGES**  
 PLCC-2, PLCC-4, 3528



**515-1201F**  
 PCB TO CENTERLINE OF LENS  
 0.550" (13.97mm)  
 OVERALL LENGTH  
 2.419" (61.44mm)  
 OVERALL WIDTH  
 0.405" (10.29mm)  
 OVERALL HEIGHT FROM PCB  
 0.600" (15.24mm)  
**SUGGESTED LED PACKAGES**  
 PLCC-2, PLCC-4, 3528



**515-1202F**  
 PCB TO CENTERLINE OF LENS  
 0.590" (14.99 mm)  
 OVERALL LENGTH  
 1.158" (29.41 mm)  
 OVERALL WIDTH  
 0.350" (8.89 mm)  
 OVERALL HEIGHT FROM PCB  
 0.630" (16.00mm)  
**SUGGESTED LED PACKAGES**  
 1208, 1210



**515-1240F**  
 PCB TO CENTERLINE OF LENS  
 .549" (13.94mm)  
 OVERALL LENGTH  
 2.212" (56.18mm)  
 OVERALL WIDTH  
 0.993" (25.22mm)  
 OVERALL HEIGHT FROM PCB  
 0.578" (14.68mm)  
**SUGGESTED LED PACKAGES**  
 0404, 0603, 0805, 0606

**Need assistance choosing the best LED for your light pipe application? [Contact us today!](#)**

## PANEL MOUNT

### RIGHT ANGLE / SINGLE POSITION / SINGLE-LEVEL

**CLICK** on boxes below for more information 



#### 515-1004F

PCB TO CENTERLINE OF LENS  
0.173" (4.4mm)  
OVERALL LENGTH  
0.380" (9.652mm)  
OVERALL WIDTH  
0.298" (7.569mm)  
MINIMUM PANEL THICKNESS  
0.087" (2.21mm)

**SUGGESTED LED PACKAGES**  
PLCC-2, PLCC-4, 3528



#### 515-1024F

PCB TO CENTERLINE OF LENS  
0.173" (4.4mm)  
OVERALL LENGTH  
0.530" (13.46mm)  
OVERALL WIDTH  
0.191" (4.85mm)  
OVERALL HEIGHT FROM PCB  
0.128" (3.25mm)

**SUGGESTED LED PACKAGES**  
0402, 0404, 0603, 0606,  
0805, PLCC-2, PLCC-4, 3528



#### 515-1096F

PCB TO CENTERLINE OF LENS  
0.105" (2.67mm)  
OVERALL LENGTH  
0.399" (10.13mm)  
OVERALL WIDTH  
0.210" (5.33mm)  
OVERALL HEIGHT FROM PCB  
0.210" (5.33mm)

**SUGGESTED LED PACKAGES**  
0402, 0404, 0603, 0606,  
0805, PLCC-2, PLCC-4, 3528



#### 515-1119F

PCB TO CENTERLINE OF LENS  
0.173" (4.4mm)  
OVERALL LENGTH  
0.512" (13mm)  
OVERALL WIDTH  
0.165" (4.19mm)  
OVERALL HEIGHT FROM PCB  
0.443" (11.25mm)

**SUGGESTED LED PACKAGES**  
0402, 0404, 0603, 0606,  
0805, PLCC-2, PLCC-4, 3528

### VARIABLE LENGTH OPTIONS



515 SERIES  
**XY Variable Length/  
Height, Right Angle  
OPTOPIPE®  
Light Pipes**  
3mm Diameter Output

[CLICK HERE](#)

### RIGHT ANGLE / MULTI-ARRAY / SINGLE-LEVEL



#### 515-1040F

PCB TO CENTERLINE OF LENS  
0.025" (0.64mm)  
OVERALL LENGTH  
0.906" (23.01mm)  
OVERALL WIDTH  
0.405" (10.29mm)  
OVERALL HEIGHT FROM PCB  
0.050" (1.27mm)

**SUGGESTED LED PACKAGES**  
0402, 0404, 0603, 0606,  
0805, PLCC-2, PLCC-4, 3528

Need assistance choosing the best LED for your light pipe application? [Contact us today!](#)

# PANEL MOUNT

VERTICAL / SINGLE POSITION / SINGLE-LEVEL


CLICK on boxes below for more information 



**515-1003F**  
 OVERALL LENGTH  
 0.237" (6.020mm)  
 OVERALL WIDTH  
 0.058" (1.473mm)  
 MINIMUM PANEL THICKNESS  
 0.079" (2.00mm)  
**SUGGESTED LED PACKAGES**  
 0402, 0404, 0603, 0805,  
 0606, 1206, Mini PLCC-2



**515-1016F**  
 OVERALL LENGTH  
 0.163" (4.14mm)  
 OVERALL WIDTH  
 0.064" (1.626mm)  
 MINIMUM PANEL THICKNESS  
 0.047" (1.194mm)  
**SUGGESTED LED PACKAGES**  
 0402, 0404, 0603, 0805,  
 0606, 1206, Mini PLCC-2




**515-1027F**  
 OVERALL LENGTH  
 0.325" (8.26mm)  
 OVERALL WIDTH  
 0.089" (2.26mm)  
 MINIMUM PANEL THICKNESS  
 0.063" (1.60mm)  
**SUGGESTED LED PACKAGES**  
 0402, 0404, 0603, 0805,  
 0606, 1206, Mini PLCC-2



**515-1027-801F**  
 OVERALL LENGTH  
 0.207" (5.26mm)  
 OVERALL WIDTH  
 .088" (2.25mm)  
 MINIMUM PANEL THICKNESS  
 0.100" (2.54mm)  
**SUGGESTED LED PACKAGES**  
 0402, 0404, 0603, 0805,  
 0606, 1206, Mini PLCC-2



**515-1033-801F**  
 OVERALL LENGTH  
 0.17" (4.4mm)  
 OVERALL WIDTH  
 0.36" (9.1mm)  
 MINIMUM PANEL THICKNESS  
 0.39" (0.99mm)  
**SUGGESTED LED PACKAGES**  
 0402, 0404, 0603, 0805,  
 0606, 1206, Mini PLCC-2



**515-1047F**  
 OVERALL LENGTH  
 3.750" (95.25mm)  
 OVERALL WIDTH  
 0.250" (6.35mm)  
**SUGGESTED LED PACKAGES**  
 PLCC-2, PLCC-4, 3528



**515-1104F**  
 OVERALL LENGTH  
 0.861" (21.86mm)  
**SUGGESTED LED PACKAGES**  
 PLCC-2, PLCC-4, 3528



**515-1221F**  
 OVERALL LENGTH  
 0.821" (20.85mm)  
 OVERALL WIDTH  
 0.375" (9.53mm)

## VARIABLE LENGTH OPTIONS



515 SERIES  
**Vertical Panel Mount OPTOPIPE® Light Pipes**  
 3mm Diameter Output  
[CLICK HERE](#)



515 SERIES  
**Reverse Mount OPTOPIPE® Light Pipes**  
 3mm Diameter Output  
[CLICK HERE](#)



515 SERIES  
**OPTOPIPE® Countersink Light Pipes**  
 1mm, 2mm and 3mm Diameter Output  
[CLICK HERE](#)



515 SERIES  
**Vertical Panel Mount OPTOPIPE® Light Pipes**  
 5mm Diameter Output  
[CLICK HERE](#)



515 SERIES  
**Right Angle Vertical Panel Mount OPTOPIPE® Light Pipes**  
 3mm Diameter Output  
[CLICK HERE](#)

Need assistance choosing the best LED for your light pipe application? [Contact us today!](#)

## PANEL MOUNT

VERTICAL / MULTI-ARRAY / SINGLE-LEVEL

**CLICK** on boxes below for more information 



### **515-1033F**

OVERALL LENGTH  
0.170" (4.32mm)

OVERALL WIDTH  
0.910" (23.11mm)

MINIMUM PANEL THICKNESS  
0.024" (0.61mm)

**SUGGESTED LED PACKAGES**  
PLCC-2, PLCC-4, 3528



### **515-1155F**

OVERALL LENGTH  
0.3425" (8.699mm)

OVERALL WIDTH  
0.175" (4.45mm)

OVERALL HEIGHT FROM PCB  
0.121" (3.07mm)

MINIMUM PANEL THICKNESS  
0.040" (1mm)

**SUGGESTED LED PACKAGES**  
1208 RT Angle

## ACTUATOR EXTENSIONS



515 SERIES  
**OPTOPIPE®**  
**Light Pipes**  
**Actuator Extensions**

**CLICK HERE**

Need assistance choosing the best LED for your light pipe application? [Contact us today!](#)

# SURFACE MOUNT

## RECOMMENDED MICRO LED® SURFACE MOUNT LEDs

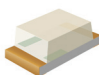
### 0402 SMT LED

	Red
	Orange
	Yellow
	Yellow-Green
	Green
	Blue
	White

### 0404 SMT LED bi- and tri-color

	Red/Green
	Red/Green/Blue

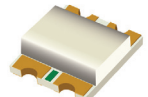
### 0603 SMT LED

	Red
	Orange
	Yellow
	Yellow-Green
	Green
	Blue
	White

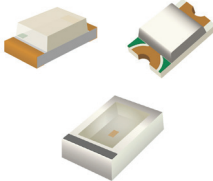
### 0603 SMT LED with domed lens

	Red
	Orange
	Yellow
	Yellow-Green
	Green
	Blue
	White

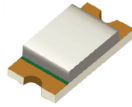
### 0606 SMT LED bi- and tri-color

	Red/Green
	Orange/Green
	Yellow/Green
	Yellow/Red
	Red/Green/Blue
	Red-Orange/Green/Blue
	Yellow/Green/Blue

### 0805 SMT LED

	Red
	Orange
	Yellow
	Yellow-Green
	Green
	Blue
	White


### 1206 SMT LED

	Red
	Orange
	Yellow
	Yellow-Green
	Green
	Blue
	White

### 1206 SMT LED with inner lens

	Red
	Orange
	Yellow
	Yellow-Green
	Green
	Blue
	White

### 1206 SMT LED reverse mount with inner lens

	Red
	Orange
	Yellow
	Yellow-Green
	Green
	Blue
	White

### 1206 SMT LED reverse mount with domed lens

	Red
	Orange
	Yellow
	Yellow-Green
	Green
	Blue
	White

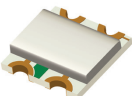
### 1208 SMT LED with reflector cup

	Red
	Orange
	Yellow
	Yellow-Green
	Green
	Blue

### 1209 SMT LED with domed lens

	Red
	Orange
	Yellow
	Yellow-Green
	Green
	Blue

### 1210 SMT LED bi-color

	Red/Green
	Red-Orange/Green
	Yellow/Green
	Yellow/Red
	Yellow/Green

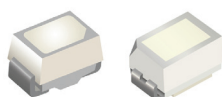
### 1210 SMT LED bi-color with reflector cup

	Red/Green
	Yellow/Green

### 3528 SMT LED

	Red
	Orange
	Yellow
	Yellow-Green
	Green
	Blue

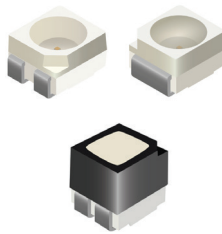
### Mini PLCC-2 SMT LED

	Red
	Orange
	Yellow
	Yellow-Green
	Green
	Blue
	White

### PLCC-2 SMT LED

	Red
	Orange
	Yellow
	Yellow-Green
	Green
	Blue
	White

### PLCC-4 SMT LED single, bi- and tri-color

	Red
	Orange
	Yellow
	Yellow-Green
	Green
	Blue
	White
	Red/Green
	Yellow/Green
	Yellow/Red
	Red/Green/Blue
	Red/Green/Yellow
	Blue/Green/Yellow

### PLCC-4 SMT LED high intensity with domed lens

	Red
	Orange
	Red-Orange
	Yellow
	Green
	Blue

Need assistance choosing the best LED for your light pipe application? [Contact us today!](#)



## 515 SERIES **OPTOPIPE® Light Pipe Actuator Extensions**

### MECHANICAL / SPECIFICATIONS

MOUNTING TYPE:  
Switch mount

VIEWING DIRECTION FROM PCB:  
Vertical

LENS DIMENSION:  
0.240" (6.1mm)

MOUNTING METHOD:  
Snap-in

OPERATING TEMPERATURE:  
-30°C to +100°C (-22°F to +212°F)

STORAGE TEMPERATURE:  
-30°C to +100°C (-22°F to +212°F)

### CERTIFICATIONS & RATINGS

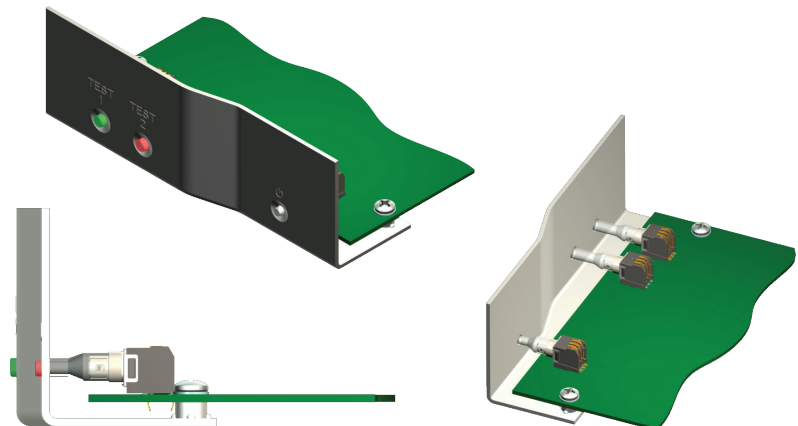
RoHS compliant

### FEATURES & BENEFITS

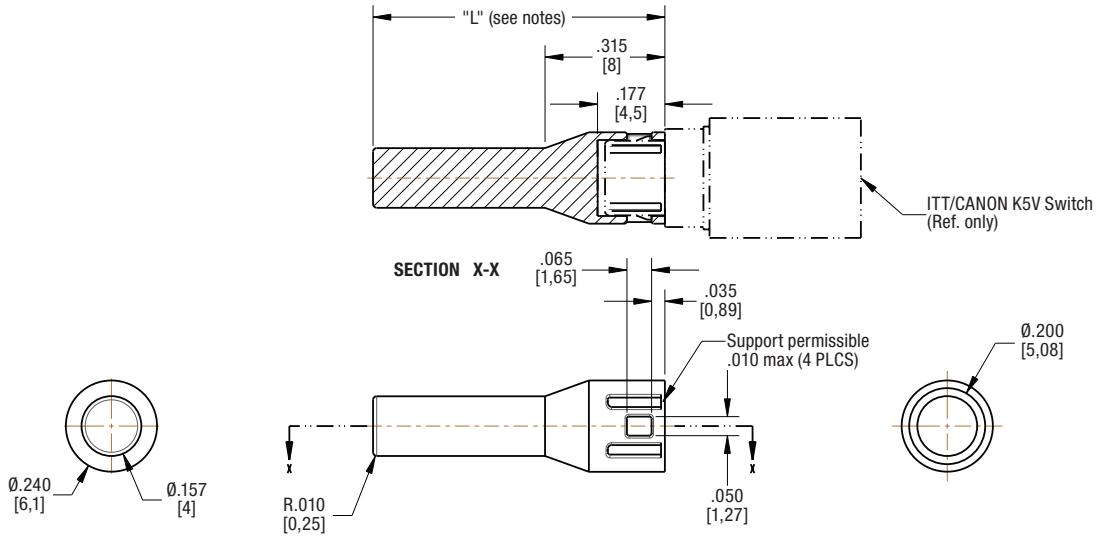
- Fits C&K K5V2 illuminated LED switch
- Available in 3mm and 4mm diameters
- Variable length from 10mm to 25mm
- RoHS compliant
- Custom color options available (consult factory)
- Custom length options available (consult factory)
- Opaque colors available for use with C&K K5V2
- Non-illuminated switches

### APPLICATION

Dialight OPTOPIPE® actuator extensions are designed for use with C&K K5V2 lighted tactile switches. These snap-in clear lenses do not need to sit on the edge of a PCB and is offered in a variety of sizes to accommodate a range of panel depths. Dialight OPTOPIPE® actuator extensions are ideal for server, storage, network infrastructure, automotive, and medical applications.



DIMENSIONS inches [mm]



## ORDERING INFORMATION

### 4mm Diameter

Part Numbers	Length
515-1140-100F	10mm
515-1140-120F	12mm
515-1140-125F	12.5mm
515-1140-130F	13mm
<a href="#">515-1140-195F</a>	19.5mm
<a href="#">515-1140-225F</a>	22.5mm
<a href="#">515-1140-235F</a>	23.5mm
515-1140-250F	25mm

### 3mm Diameter

<a href="#">515-1149-145F</a>	14.5mm
-------------------------------	--------



Dialight reserves the right to make changes at any time in order to supply the best product possible. The most current version of this document will always be available at: [www.dialightsignalsandcomponents.com](http://www.dialightsignalsandcomponents.com)

Warranty Statement: Except for the warranty expressly provided for at: [www.dialight.com/resources/warranties/](http://www.dialight.com/resources/warranties/), Dialight disclaims any and all other warranties, express or implied, including, without limitation, any warranties of merchantability, fitness for a particular purpose, title, and noninfringement.



## 515 SERIES

# Vertical Board Mount OPTOPIPE® Light Pipes

3mm Diameter Output

### MECHANICAL / SPECIFICATIONS

MOUNTING HOLE SIZE:  
0.063" (1.6 mm)

MIN. PANEL THICKNESS:  
0.063" (1.60mm)

OPERATING TEMPERATURE:  
-30°C to +100°C (-22°F to +212°F)

STORAGE TEMPERATURE:  
-30°C to +100°C (-22°F to +212°F)

### CERTIFICATIONS & RATINGS

RoHS compliant

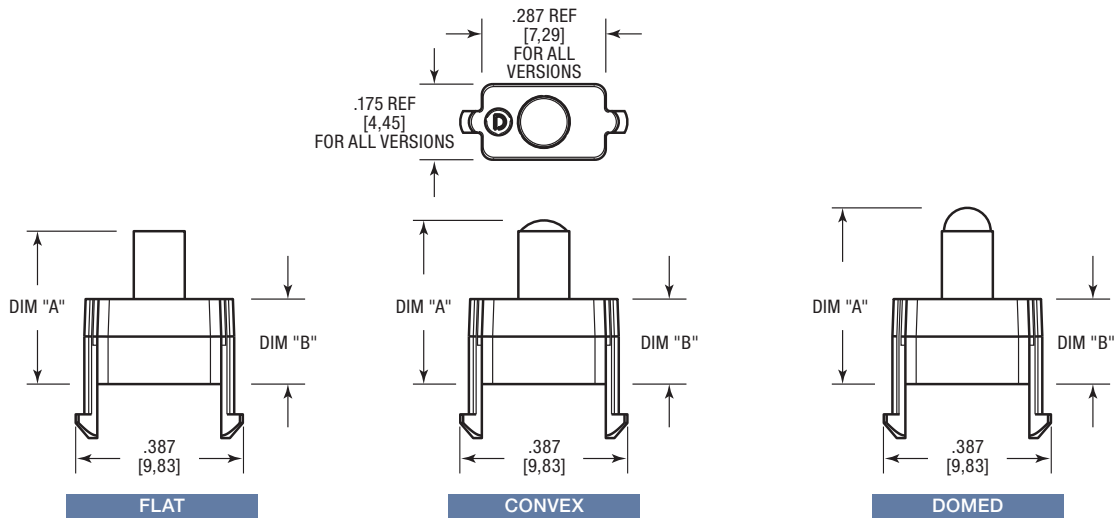
### FEATURES & BENEFITS

- Lengths varying from .250" to 1.250"
- Three lens styles for optimal viewing angles; flat, convex, and domed
- Designed for both single and multi-color LEDs
- Positive snap-in mounting to .063" ± .007" (1.6 ± 0.178 mm) PCB with opaque light barrier
- Low-voltage and minimal power consumption
- Light is produced through photonic emission, not as a by-product of a radiating heat source
- Molded from RoHS compliant UL94-V0 water clear polycarbonate with an oxygen index of 35%
- Designed to be used with Dialight PLCC-2 and PLCC-4 surface mount LEDs 597-XXXX-207NF (pad layout shown). See the [Surface Mount Selector Guide](#) for LED operating characteristics. Lower profile surface mount LEDs in 598 and 597 series can be used as well as reverse mount LEDs. Please consult factory for availability.

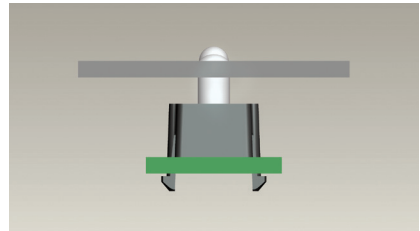
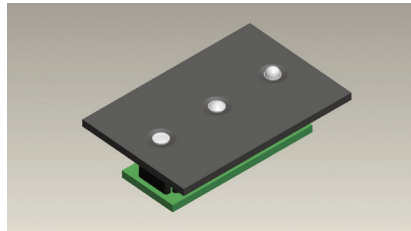
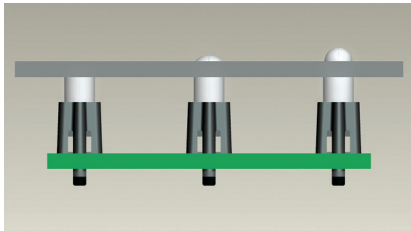
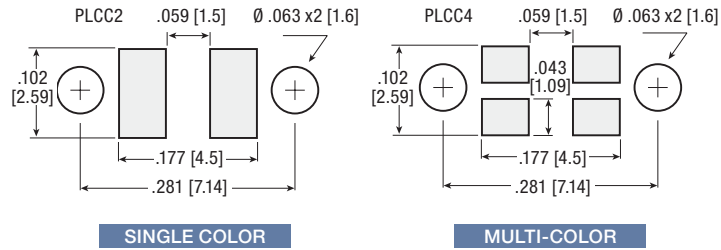
### APPLICATION

Dialight vertical board mount OPTOPIPE® light pipes provide an excellent solution for products that contain a PCB that is parallel to the panel in need of indication. These UL94-V0 water clear polycarbonate light pipes are secured to the PCB using a custom snap-fit base that is easy to install. Vertical light pipes are ideal for building automation and other industrial applications. Dialight's OPTOPIPE® light pipes provide a great way to efficiently transfer light.

DIMENSIONS inches [mm]



RECOMMENDED SOLDER PAD AND THROUGH HOLE LAYOUT



**ORDERING INFORMATION**

**FLAT LENS**

Part Number			Dim "A"	Dim "B"
PLCC or PLCC4	Chip LED	Reverse Mount		

**Clear**

<a href="#">515-1192-00250F</a>	<a href="#">515-1192-10250F</a>	<a href="#">515-1192-20250F</a>	.250 [6.35]	.197 [5.0]
<a href="#">515-1192-00300F</a>	<a href="#">515-1192-10300F</a>	<a href="#">515-1192-20300F</a>	.300 [7.62]	.197 [5.0]
<a href="#">515-1192-00350F</a>	<a href="#">515-1192-10350F</a>	<a href="#">515-1192-20350F</a>	.350 [8.89]	.197 [5.0]
<a href="#">515-1192-00400F</a>			.400 [10.16]	.197 [5.0]
<a href="#">515-1192-00450F</a>	<a href="#">515-1192-10450F</a>	<a href="#">515-1192-20450F</a>	.450 [11.43]	.197 [5.0]
<a href="#">515-1192-00550F</a>	<a href="#">515-1192-10550F</a>	<a href="#">515-1192-20550F</a>	.550 [13.97]	.375 [9.53]
<a href="#">515-1192-00600F</a>			.600 [15.24]	.375 [9.53]
<a href="#">515-1192-00630F</a>	<a href="#">515-1192-10630F</a>	<a href="#">515-1192-20630F</a>	.630 [16.00]	.375 [9.53]
<a href="#">515-1192-00800F</a>	<a href="#">515-1192-10800F</a>	<a href="#">515-1192-20800F</a>	.800 [20.32]	.375 [9.53]
<a href="#">515-1192-00900F</a>	<a href="#">515-1192-10900F</a>	<a href="#">515-1192-20900F</a>	.900 [22.86]	.375 [9.53]
<a href="#">515-1192-01000F</a>	<a href="#">515-1192-11000F</a>	<a href="#">515-1192-21000F</a>	1.000 [25.4]	.375 [9.53]

**Diffused**

<a href="#">515-1192-00250DF</a>	<a href="#">515-1192-10250DF</a>		.250 [6.35]	.197 [5.0]
<a href="#">515-1192-00550DF</a>			.550 [13.97]	.375 [9.53]

**DOMED LENS**

Part Number	Dim "A"	Dim "B"
PLCC or PLCC4		

**Clear**

<a href="#">515-1194-00300F</a>	.300 [7.62]	.197 [5.0]
<a href="#">515-1194-00350F</a>	.350 [8.89]	.197 [5.0]
<a href="#">515-1194-00450F</a>	.450 [11.43]	.197 [5.0]
<a href="#">515-1194-00709F</a>	.709 [18.01]	.375 [9.53]
<a href="#">515-1194-01000F</a>	1.000 [25.4]	.375 [9.53]
<a href="#">515-1194-01169F</a>	1.169 [29.69]	.375 [9.53]

Part Number		Dim "A"	Dim "B"
PLCC or PLCC4	Chip LED		

**Diffused**

<a href="#">515-1194-00300DF</a>	<a href="#">515-1194-10300DF</a>	.300 [7.62]	.197 [5.0]
<a href="#">515-1194-00350DF</a>	<a href="#">515-1194-10350DF</a>	.350 [8.89]	.197 [5.0]
<a href="#">515-1194-00512DF</a>		.512 [13]	.197 [5.0]
<a href="#">515-1194-00610DF</a>		.610 [15.49]	.375 [9.53]

**CONVEX LENS**

Part Number		Dim "A"	Dim "B"
PLCC or PLCC4	Chip LED		

**Clear**

<a href="#">515-1193-00300F</a>		.300 [7.62]	.197 [5.0]
<a href="#">515-1193-00350F</a>		.350 [8.89]	.197 [5.0]
<a href="#">515-1193-00450F</a>		.450 [11.43]	.197 [5.0]
<a href="#">515-1193-00550F</a>		.550 [13.97]	.375 [9.53]
<a href="#">515-1193-00630F</a>		.630 [16.00]	.375 [9.53]
<a href="#">515-1193-00800F</a>		.800 [20.32]	.375 [9.53]
<a href="#">515-1193-00900F</a>		.900 [22.86]	.375 [9.53]
<a href="#">515-1193-01000F</a>		1.000 [25.4]	.375 [9.53]



Dialight reserves the right to make changes at any time in order to supply the best product possible. The most current version of this document will always be available at: [www.dialightsignalsandcomponents.com](http://www.dialightsignalsandcomponents.com)

Warranty Statement: Except for the warranty expressly provided for at: [www.dialight.com/resources/warranties/](http://www.dialight.com/resources/warranties/), Dialight disclaims any and all other warranties, express or implied, including, without limitation, any warranties of merchantability, fitness for a particular purpose, title, and noninfringement.



## 515 SERIES XY Variable Length/Height, Right Angle OPTOPIPE® Light Pipes 3mm Diameter Output

### MECHANICAL / SPECIFICATIONS

MOUNTING HOLE SIZE:  
0.094" (2.39mm)

MIN. PANEL THICKNESS:  
0.047" (1.194mm)

OPERATING TEMPERATURE:  
-40°C to +100°C

STORAGE TEMPERATURE:  
-40°C to +100°C

### CERTIFICATIONS & RATINGS

RoHS compliant

### SUGGESTED LEDS

SINGLE COLOR:  
597-3XXX-207F/NF, 598-8BX0-107F

BI-COLOR:  
597-77XX-207F, 007F

TRI-COLOR:  
597-77XX-007F, 907F

### FEATURES & BENEFITS

- Lengths varying from .319"–1.772"
- Heights varying from .200"–.500"
- Same board footprint across various heights and lengths
- Easy and secure installation via mounting pins on the housing
- Cost and time savings due to simplified board redesign
- No optical crosstalk, no light bleed
- Offers a high level of ESD protection
- Optical efficiency due to enclosed housing

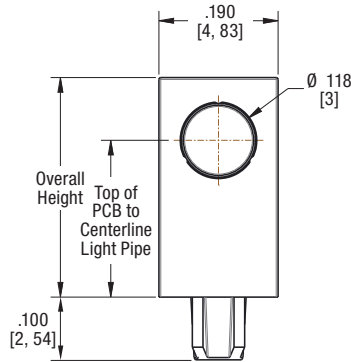
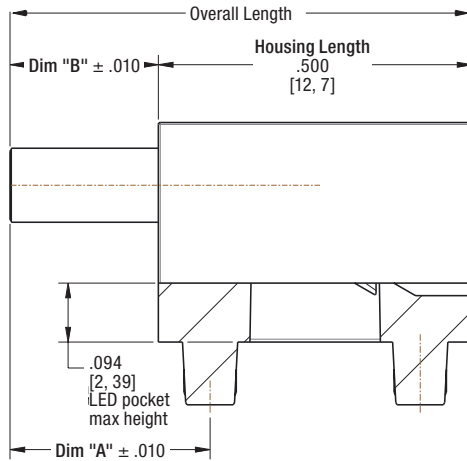
### APPLICATION

Dialight's 515 OPTOPIPE® light pipe series offers the same board footprint across various heights and lengths and provide cost savings by simplifying circuit board designs or redesigns. The areas of application include, but are not limited to:

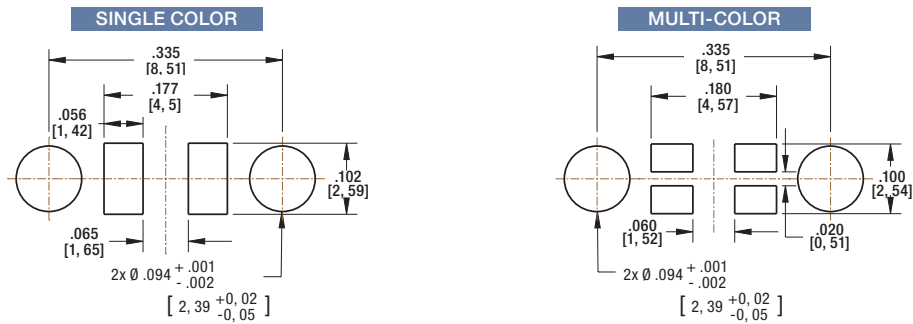
- Telecom
- Networking
- Data storage
- Medical
- Test and measurement
- Automation controls
- EV-charging
- Home communication equipment
- AV equipment
- Industrial embedded solutions

DIMENSIONS inches [mm]

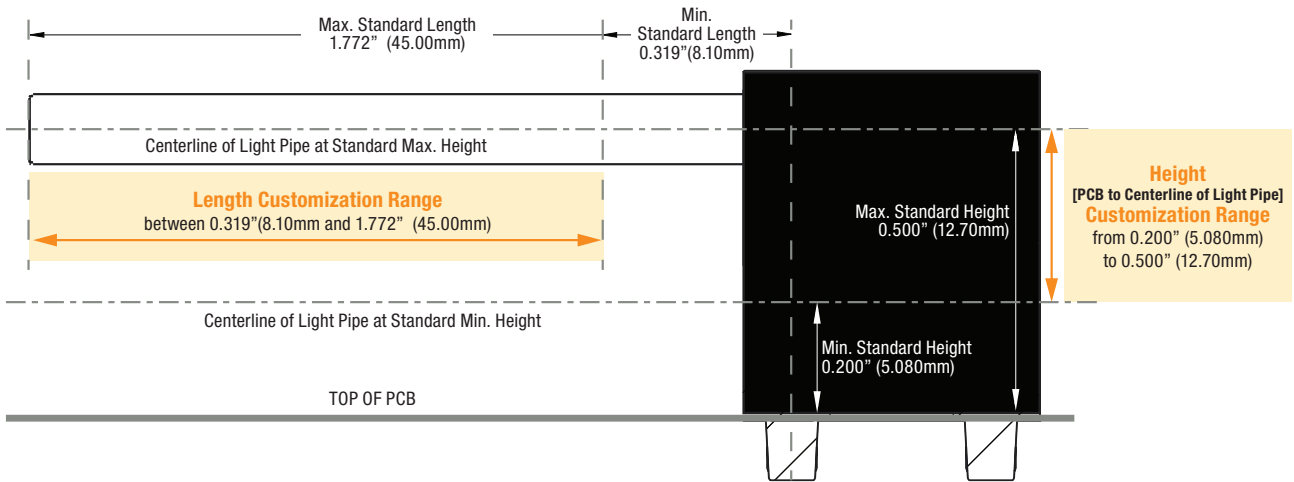
FLAT LENS



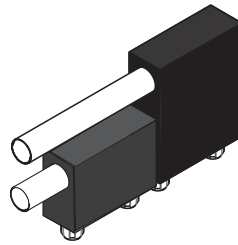
RECOMMENDED HOLE & PAD LAYOUT



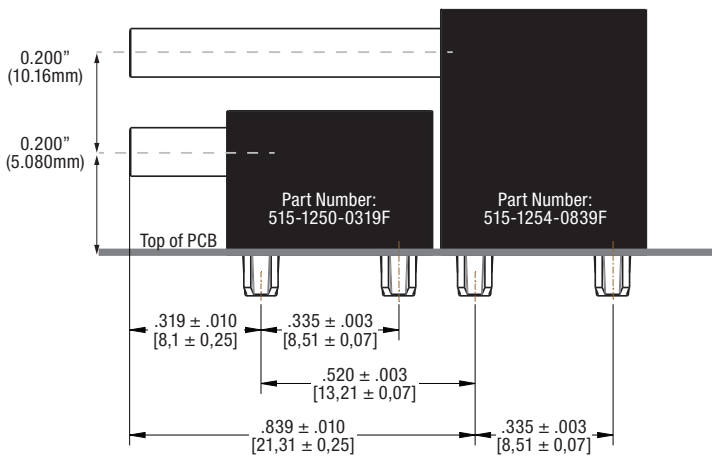
CUSTOMIZATION OPTIONS



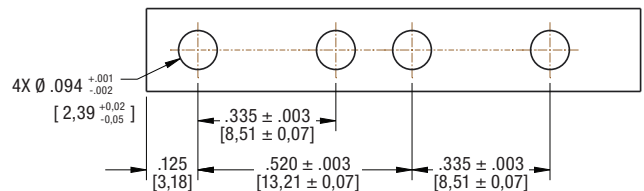
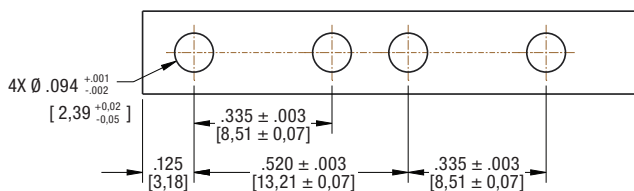
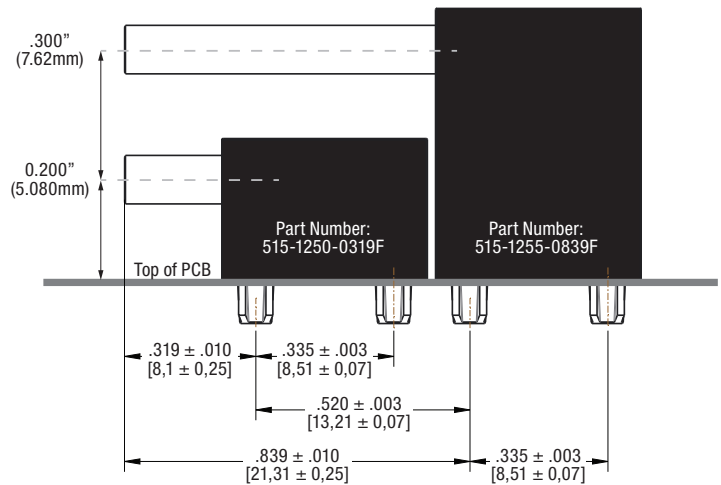
BI-LEVEL INDICATION OPTION



**Bi-Level Indication Option**  
with 515-1254-0839F and 515-1250-0319F



**Bi-Level Indication Option**  
515-1255-0839F and 515-1250-0319F



ORDERING INFORMATION

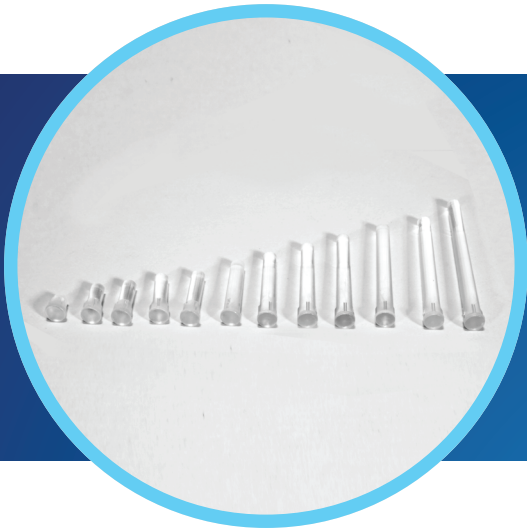
FLAT LENS

Part Number	Dim "A"	Dim "B"	Top of PCB to Centerline Light Pipe	Overall Height	Overall Length
<a href="#">515-1250-0319F</a>	.319" (8.10mm)	.237" (6.01mm)	0.200" (5.080mm)	0.300" (7.62mm)	0.737" (18.72mm)
<a href="#">515-1250-0590F</a>	.590" (15.00mm)	.508" (12.90mm)	0.200" (5.080mm)	0.300" (7.62mm)	1.008" (25.60mm)
<a href="#">515-1250-1181F</a>	1.181" (30.00mm)	1.099" (27.91mm)	0.200" (5.080mm)	0.300" (7.62mm)	1.599" (40.615mm)
<a href="#">515-1250-1772F</a>	1.772" (45.00mm)	1.690" (42.93mm)	0.200" (5.080mm)	0.300" (7.62mm)	2.190"(55.626mm)
<a href="#">515-1251-0319F</a>	.319" (8.10mm)	.237" (6.01mm)	0.250" (6.35mm)	0.350" (8.89mm)	0.737" (18.72mm)
<a href="#">515-1251-0590F</a>	.590" (15.00mm)	.508" (12.90mm)	0.250" (6.35mm)	0.350" (8.89mm)	1.008" (25.60mm)
<a href="#">515-1251-1181F</a>	1.181" (30.00mm)	1.099" (27.91mm)	0.250" (6.35mm)	0.350" (8.89mm)	1.599" (40.615mm)
<a href="#">515-1251-1772F</a>	1.772" (45.00mm)	1.690" (42.93mm)	0.250" (6.35mm)	0.350" (8.89mm)	2.190"(55.626mm)
<a href="#">515-1252-0319F</a>	.319" (8.10mm)	.237" (6.01mm)	0.300" (7.62mm)	0.400" (10.16mm)	0.737" (18.72mm)
<a href="#">515-1252-0590F</a>	.590" (15.00mm)	.508" (12.90mm)	0.300" (7.62mm)	0.400" (10.16mm)	1.008" (25.60mm)
<a href="#">515-1252-1181F</a>	1.181" (30.00mm)	1.099" (27.91mm)	0.300" (7.62mm)	0.400" (10.16mm)	1.599" (40.615mm)
<a href="#">515-1252-1772F</a>	1.772" (45.00mm)	1.690" (42.93mm)	0.300" (7.62mm)	0.400" (10.16mm)	2.190"(55.626mm)
<a href="#">515-1253-0319F</a>	.319" (8.10mm)	.237" (6.01mm)	0.350" (8.89mm)	0.450" (11.43mm)	0.737" (18.72mm)
<a href="#">515-1253-0590F</a>	.590" (15.00mm)	.508" (12.90mm)	0.350" (8.89mm)	0.450" (11.43mm)	1.008" (25.60mm)
<a href="#">515-1253-1181F</a>	1.181" (30.00mm)	1.099" (27.91mm)	0.350" (8.89mm)	0.450" (11.43mm)	1.599" (40.615mm)
<a href="#">515-1253-1772F</a>	1.772" (45.00mm)	1.690" (42.93mm)	0.350" (8.89mm)	0.450" (11.43mm)	2.190"(55.626mm)
<a href="#">515-1254-0319F</a>	.319" (8.10mm)	.237" (6.01mm)	0.400" (10.16mm)	0.500" (12.70mm)	0.737" (18.72mm)
<a href="#">515-1254-0590F</a>	.590" (15.00mm)	.508" (12.90mm)	0.400" (10.16mm)	0.500" (12.70mm)	1.008" (25.60mm)
<a href="#">515-1254-0839F</a>	.839" (21.31mm)	.757" (19.23mm)	0.400" (10.16mm)	0.500" (12.70mm)	1.257" (31.93mm)
<a href="#">515-1254-1181F</a>	1.181" (30.00mm)	1.099" (27.91mm)	0.400" (10.16mm)	0.500" (12.70mm)	1.599" (40.615mm)
<a href="#">515-1254-1772F</a>	1.772" (45.00mm)	1.690" (42.93mm)	0.400" (10.16mm)	0.500" (12.70mm)	2.190"(55.626mm)
<a href="#">515-1255-0319F</a>	.319" (8.10mm)	.237" (6.01mm)	0.500" (12.70mm)	0.600" (15.24mm)	0.737" (18.72mm)
<a href="#">515-1255-0590F</a>	.590" (15.00mm)	.508" (12.90mm)	0.500" (12.70mm)	0.600" (15.24mm)	1.008" (25.60mm)
<a href="#">515-1255-0839F</a>	.839" (21.31mm)	.757" (19.23mm)	0.500" (12.70mm)	0.600" (15.24mm)	1.257" (31.93mm)
<a href="#">515-1255-1181F</a>	1.181" (30.00mm)	1.099" (27.91mm)	0.500" (12.70mm)	0.600" (15.24mm)	1.599" (40.615mm)
<a href="#">515-1255-1772F</a>	1.772" (45.00mm)	1.690" (42.93mm)	0.500" (12.70mm)	0.600" (15.24mm)	2.190"(55.626mm)



Dialight reserves the right to make changes at any time in order to supply the best product possible. The most current version of this document will always be available at: [www.dialightsignalsandcomponents.com](http://www.dialightsignalsandcomponents.com)

Warranty Statement: Except for the warranty expressly provided for at: [www.dialight.com/resources/warranties/](http://www.dialight.com/resources/warranties/), Dialight disclaims any and all other warranties, express or implied, including, without limitation, any warranties of merchantability, fitness for a particular purpose, title, and noninfringement.



515 SERIES

**Vertical Panel Mount  
OPTOPIPE® Light Pipes**

3mm Diameter Output

**MECHANICAL / SPECIFICATIONS**

MOUNTING HOLE SIZE:  
.115" +.003", -.002"

MIN. PANEL THICKNESS:  
.030" (.762 mm)

OPERATING TEMPERATURE:  
-30 °C to +100 °C

STORAGE TEMPERATURE:  
-30 °C to +100 °C

**CERTIFICATIONS & RATINGS**

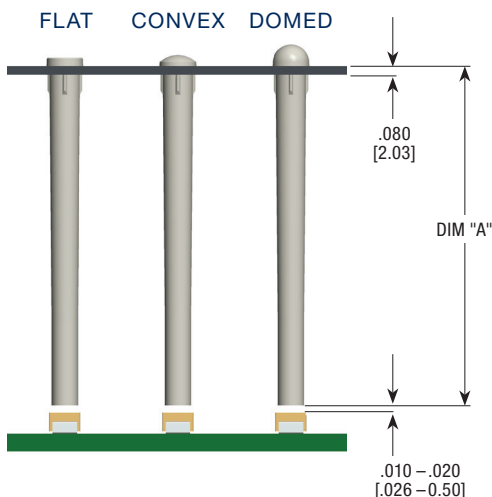
RoHS compliant

**FEATURES & BENEFITS**

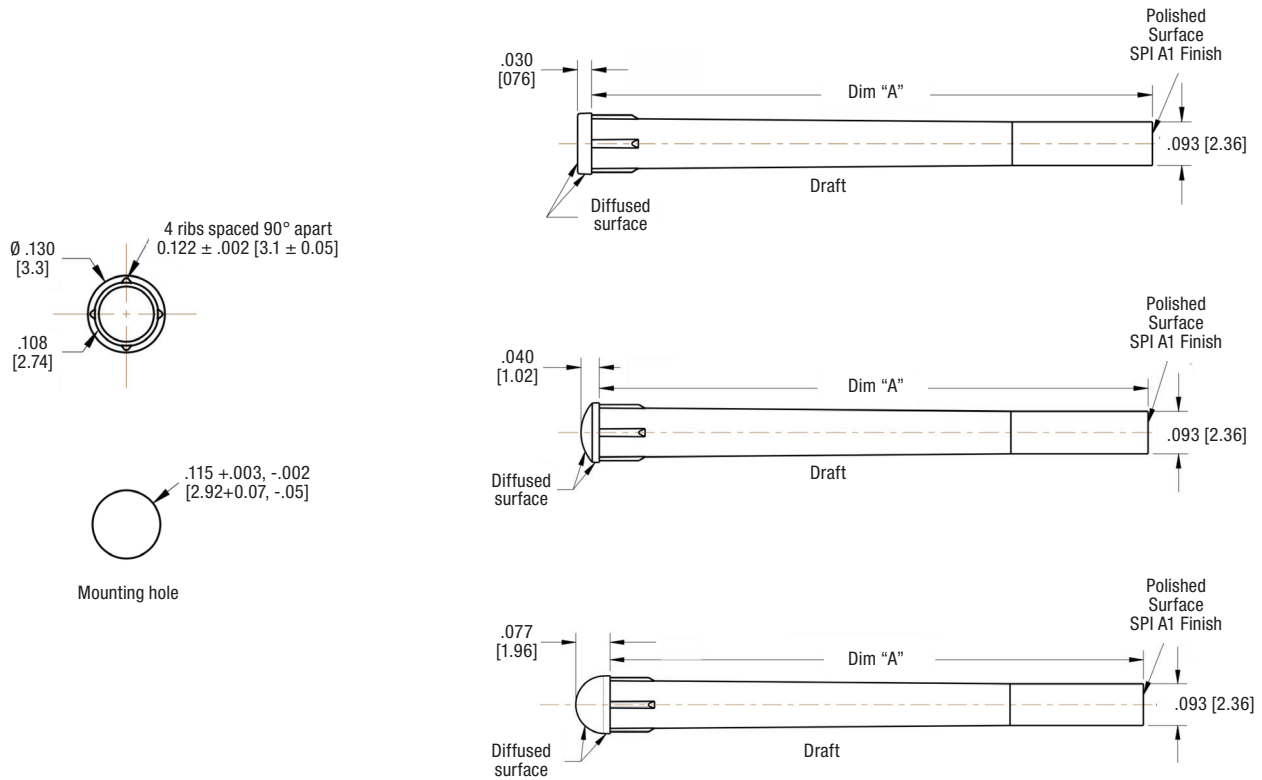
- Lengths varying from .125"–1.200"  
Custom length available upon request
- Three lens styles for optimal viewing angles:  
flat, convex and domed
- Designed for both single and multiple colored LEDs
- Precision molded from RoHS compliant UL94-V0, water clear polycarbonate with oxygen index of 35%
- Available in diffused textured lens only
- Optimally designed to be used with Dialight surface mount LEDs
- See [Dialight Surface Mount Selector Guide](#) for LED options
- Recommend PLCC-2 and PLCC-4, surface mount LEDs part number: 597-XXXX-207F

**APPLICATION**

Dialight OPTOPIPE® panel mount provide an excellent solution for products that contain a PCB that is parallel to the front panel in need of indication. The UL94-V0 water clear polycarbonate light pipes are secured to the front panel with a press fit that is easy to install. Dialight OPTOPIPE® solutions are a cost effective way of bringing indication to your front panel.



DIMENSIONS inches [mm]



ORDERING INFORMATION

Flat		Convex		Domed	
Part number	Dim "A"	Part number	Dim "A"	Part number	Dim "A"
<a href="#">515-1301-0125F</a>	0.125 [3.20]	<a href="#">515-1302-0125F</a>	0.125 [3.20]	<a href="#">515-1303-0125F</a>	0.125 [3.20]
<a href="#">515-1301-0250F</a>	0.250 [6.35]	<a href="#">515-1302-0215F</a>	0.215 [5.46]	<a href="#">515-1303-0250F</a>	0.250 [6.35]
<a href="#">515-1301-0300F</a>	0.300 [7.62]	<a href="#">515-1302-0250F</a>	0.250 [6.35]	<a href="#">515-1303-0300F</a>	0.300 [7.62]
<a href="#">515-1301-0350F</a>	0.350 [8.89]	<a href="#">515-1302-0350F</a>	0.350 [8.89]	<a href="#">515-1303-0350F</a>	0.350 [8.89]
<a href="#">515-1301-0400F</a>	0.400 [10.16]	<a href="#">515-1302-0375F</a>	0.375 [9.53]	<a href="#">515-1303-0400F</a>	0.400 [10.16]
<a href="#">515-1301-0500F</a>	0.500 [12.70]	<a href="#">515-1302-0500F</a>	0.500 [12.70]	<a href="#">515-1303-0500F</a>	0.500 [12.70]
<a href="#">515-1301-0600F</a>	0.600 [15.24]	<a href="#">515-1302-0600F</a>	0.600 [15.24]	<a href="#">515-1303-0600F</a>	0.600 [15.24]
<a href="#">515-1301-0700F</a>	0.700 [17.78]	<a href="#">515-1302-0700F</a>	0.700 [17.78]	<a href="#">515-1303-0700F</a>	0.700 [17.78]
<a href="#">515-1301-0750F</a>	0.750 [19.05]	<a href="#">515-1302-0750F</a>	0.750 [19.05]	<a href="#">515-1303-0750F</a>	0.750 [19.05]
<a href="#">515-1301-0800F</a>	0.800 [20.32]	<a href="#">515-1302-0800F</a>	0.800 [20.32]	<a href="#">515-1303-0800F</a>	0.800 [20.32]
<a href="#">515-1301-0900F</a>	0.900 [22.86]	<a href="#">515-1302-0900F</a>	0.900 [22.86]	<a href="#">515-1303-0900F</a>	0.900 [22.86]
<a href="#">515-1301-1000F</a>	1.000 [25.40]	<a href="#">515-1302-1000F</a>	1.000 [25.40]	<a href="#">515-1303-1000F</a>	1.000 [25.40]
<a href="#">515-1301-1200F</a>	1.200 [30.48]	<a href="#">515-1302-1200F</a>	1.200 [30.48]	<a href="#">515-1303-1200F</a>	1.200 [30.48]



Dialight reserves the right to make changes at any time in order to supply the best product possible. The most current version of this document will always be available at: [www.dialightsignalsandcomponents.com](http://www.dialightsignalsandcomponents.com)

Warranty Statement: Except for the warranty expressly provided for at: [www.dialight.com/resources/warranties/](http://www.dialight.com/resources/warranties/), Dialight disclaims any and all other warranties, express or implied, including, without limitation, any warranties of merchantability, fitness for a particular purpose, title, and noninfringement.



## 515 SERIES

# Reverse Mount OPTOPIPE® Light Pipes

3mm Diameter Output

### MECHANICAL / SPECIFICATIONS

PANEL MOUNTING HOLE SIZE:  
0.121" (3.07mm)

MIN. PANEL THICKNESS:  
.040" (1.00mm)

OPERATING TEMPERATURE:  
-40°C to +100°C

STORAGE TEMPERATURE:  
-40°C to +100°C

### CERTIFICATIONS & RATINGS

RoHS compliant

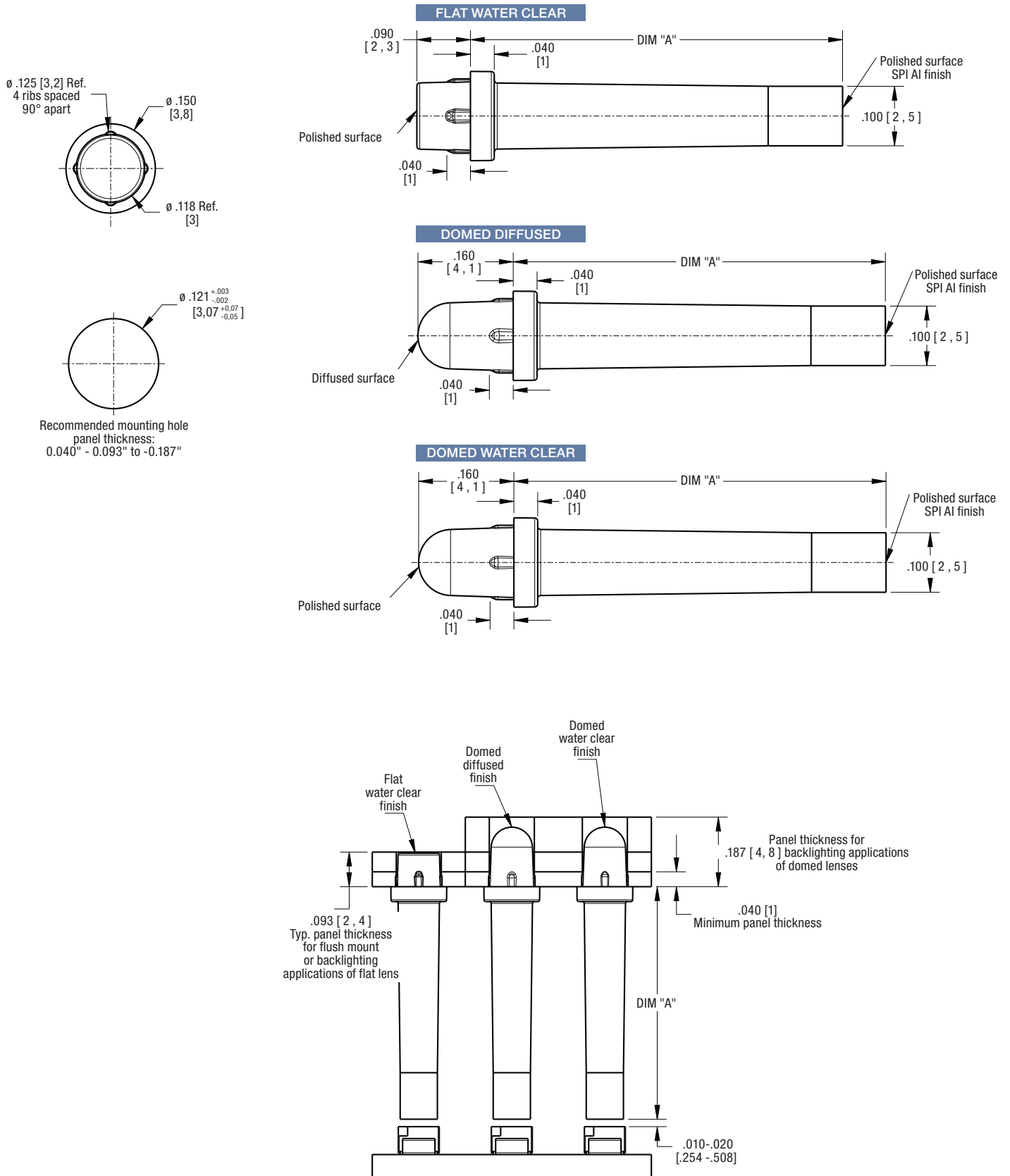
### FEATURES & BENEFITS

- Available lengths from 0.100" (2.54mm) – 1.000" (25.4mm) (Customizable within the given length range)
- Flat and domed lenses for optimal viewing angle (with water clear or diffused lens finish)
- Press fit mount into 0.121" +0.003/-0.002 (3.07mm) panel mount hole
- Suggested drill size 3.1mm metric drill or #31 drill (0.120")
- Material: water-clear polycarbonate, RoHS compliant UL94-V0, UV stabilized, Halogen-free
- Designed for both single and multiple color surface mount LEDs
- Recommended PLCC-2 and PLCC-4, surface mount LEDs part number: 597-XXXX-207F as shown

### APPLICATION

Dialight's 515 Reverse Mount OPTOPIPE® Light Pipe series offers press fit LP design from rear of panel when working inside of an enclosure with no access to the front of the enclosure. Variable length from .100" through 1.00" are available with domed or flat lens shapes for back lighting applications of a overlay/symbol or direct view with lens protruding through the front of panel. These light pipes are used in applications when PCB is always parallel to the panel you are planning to have visible indication on.

DIMENSIONS inches [mm]



ORDERING INFORMATION

**Flat Water Clear**

Part Number	Dim "A"
<a href="#">515-1304-0100F</a>	0.100" (2.5mm)
<a href="#">515-1304-0125F</a>	0.125" (3.2mm)
<a href="#">515-1304-0188F</a>	0.188" (4.8mm)
<a href="#">515-1304-0250F</a>	0.250" (6.4mm)
<a href="#">515-1304-0313F</a>	0.313" (7.9mm)
<a href="#">515-1304-0350F</a>	0.350" (8.9mm)
<a href="#">515-1304-0375F</a>	0.375" (9.5mm)
<a href="#">515-1304-0500F</a>	0.500" (12.7mm)
<a href="#">515-1304-0625F</a>	0.625" (15.9mm)
<a href="#">515-1304-0750F</a>	0.750" (19mm)
<a href="#">515-1304-0830F</a>	0.830" (21.1mm)
<a href="#">515-1304-1000F</a>	1.000" (25.4mm)

**Domed Diffused**

Part Number	Dim "A"
<a href="#">515-1305-0125F</a>	0.125" (3.2mm)
<a href="#">515-1305-0250F</a>	0.250" (6.4mm)
<a href="#">515-1305-0350F</a>	0.350" (8.9mm)
<a href="#">515-1305-0375F</a>	0.375" (9.5mm)
<a href="#">515-1305-0460F</a>	0.460" (11.7mm)
<a href="#">515-1305-0500F</a>	0.500" (12.7mm)
<a href="#">515-1305-0625F</a>	0.625" (15.9mm)
<a href="#">515-1305-0750F</a>	0.750" (19mm)
<a href="#">515-1305-1000F</a>	1.000" (25.4mm)

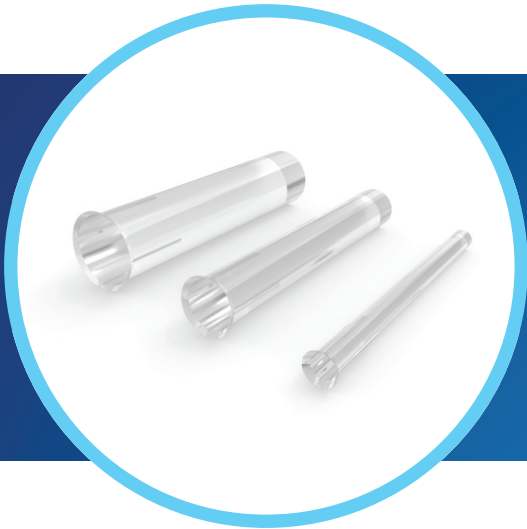
**Domed Water Clear**

Part Number	Dim "A"
<a href="#">515-1306-0125F</a>	0.125" (3.2mm)
<a href="#">515-1306-0250F</a>	0.250" (6.4mm)
<a href="#">515-1306-0350F</a>	0.350" (8.9mm)
<a href="#">515-1306-0375F</a>	0.375" (9.5mm)
<a href="#">515-1306-0460F</a>	0.460" (11.7mm)
<a href="#">515-1306-0500F</a>	0.500" (12.7mm)
<a href="#">515-1306-0625F</a>	0.625" (15.9mm)
<a href="#">515-1306-0750F</a>	0.750" (19mm)
<a href="#">515-1306-1000F</a>	1.000" (25.4mm)



Dialight reserves the right to make changes at any time in order to supply the best product possible. The most current version of this document will always be available at: [www.dialightsignalsandcomponents.com](http://www.dialightsignalsandcomponents.com)

Warranty Statement: Except for the warranty expressly provided for at: [www.dialight.com/resources/warranties/](http://www.dialight.com/resources/warranties/), Dialight disclaims any and all other warranties, express or implied, including, without limitation, any warranties of merchantability, fitness for a particular purpose, title, and noninfringement.



## 515 SERIES

# Countersink OPTOPIPE® Light Pipes

1mm, 2mm and 3mm Diameter Output

### MECHANICAL / SPECIFICATIONS

PANEL MOUNTING HOLE SIZE:  
.040" (1.2mm), .079" (2.01mm),  
.120" (3.05mm) ± .002" (0.05mm)

MIN. PANEL THICKNESS:  
.050" ± .005" (1.27mm ± 0.12mm)

OPERATING TEMPERATURE:  
-30°C to +100°C

STORAGE TEMPERATURE:  
-30°C to +100°C

### CERTIFICATIONS & RATINGS

RoHS compliant

### SUGGESTED LEDS

#### 1mm Light Pipes

SINGLE COLOR:  
598-8AX0-107F, 598-8EX0-107F

BI-COLOR:  
[597-7707-507F](#)

TRI-COLOR:  
[597-7717-507F](#)

#### 2mm and 3mm Light Pipes

SINGLE COLOR:  
597-3XX1-207NF, 597-3XX1-607F,  
598-8CX0-107F

BI-COLOR:  
597-77X1-207F, [597-7752-007F](#)

TRI-COLOR:  
[597-7714-007F](#)

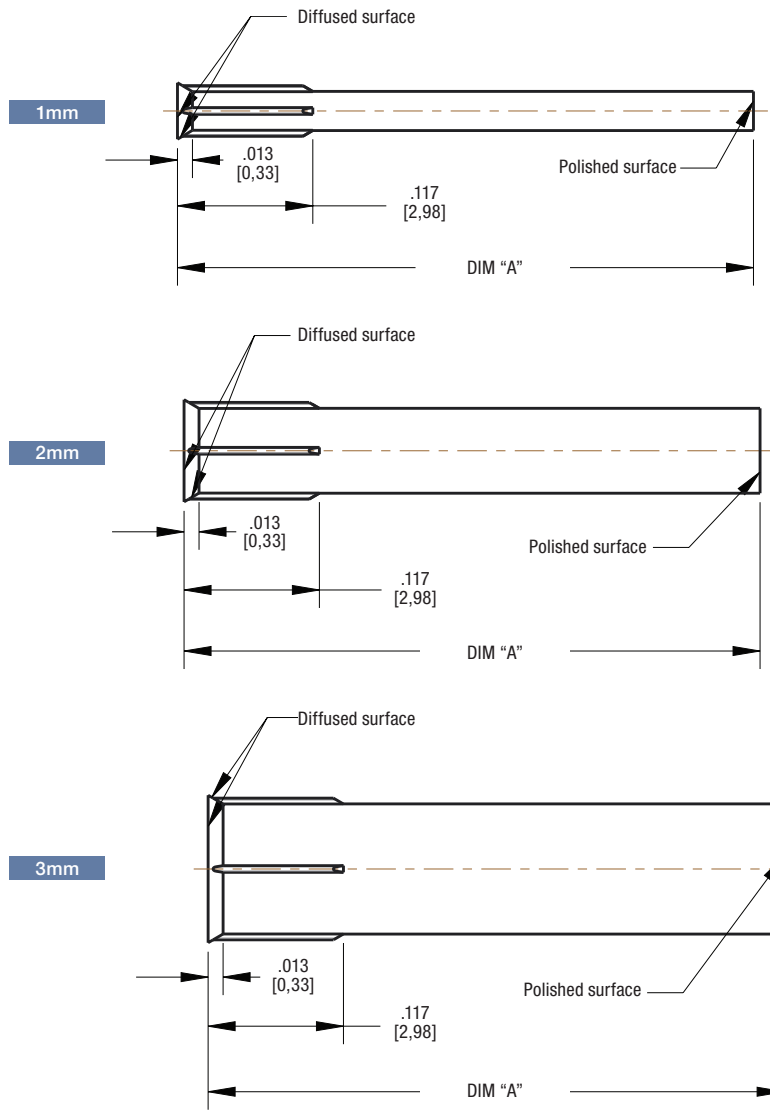
### FEATURES & BENEFITS

- Flush panel mounting and smooth appearance
- Available in 1mm, 2mm, 3mm lens sizes.
- Diffused lens for optimal visibility.
- Standard lengths: .125 in. (3,2mm) to 1.200 in. (30,48mm).
- Crush-rib design offers secure and tight hold in the panel
- Material: water-clear polycarbonate, UL94-V0, UV stabilized, Halogen-free

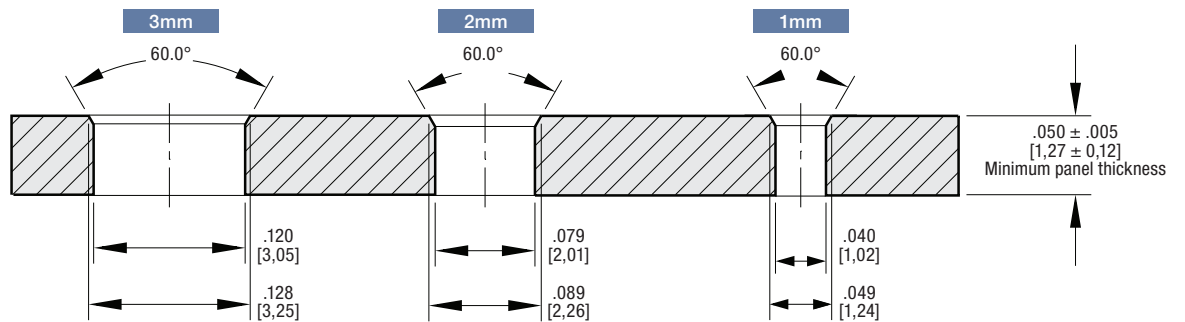
### APPLICATION

Dialight's 515 Countersink OPTOPIPE® Light Pipe series offers an ideal solution for when an indicator cannot protrude from the panel due to safety reasons or esthetics. Perfect for backlighting of applications with overlays.

DIMENSIONS inches [mm]



MOUNTING HOLE DIMENSIONS inches [mm]



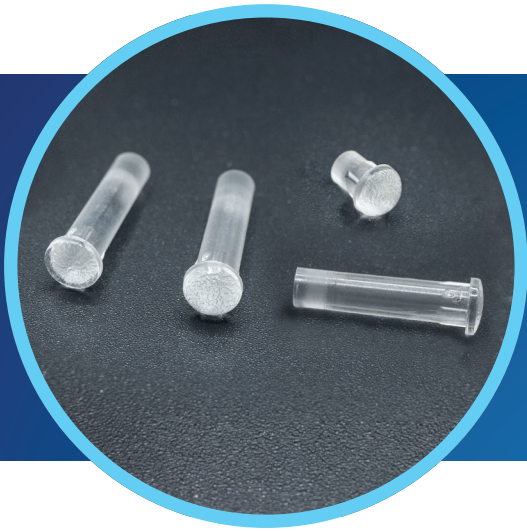
ORDERING INFORMATION

Part Number	Overall Length Dim "A"	Light Pipe Diameter	Overall Width Top Of Light Pipe
<a href="#">515-1311-0125F</a>	.125" (3.20mm)	1mm	0.049" (1.24mm)
<a href="#">515-1311-0157F</a>	.157" (4.00mm)	1mm	0.049" (1.24mm)
<a href="#">515-1311-0188F</a>	.188" (4.77mm)	1mm	0.049" (1.24mm)
<a href="#">515-1311-0250F</a>	.250" (6.35mm)	1mm	0.049" (1.24mm)
<a href="#">515-1311-0313F</a>	.313" (7.95mm)	1mm	0.049" (1.24mm)
<a href="#">515-1311-0375F</a>	.375" (9.53mm)	1mm	0.049" (1.24mm)
<a href="#">515-1311-0500F</a>	.500" (12.70mm)	1mm	0.049" (1.24mm)
<a href="#">515-1312-0125F</a>	.125" (3.20mm)	2mm	0.089" (2.26mm)
<a href="#">515-1312-0157F</a>	.157" (4.00mm)	2mm	0.089" (2.26mm)
<a href="#">515-1312-0188F</a>	.188" (4.77mm)	2mm	0.089" (2.26mm)
<a href="#">515-1312-0250F</a>	.250" (6.35mm)	2mm	0.089" (2.26mm)
<a href="#">515-1312-0313F</a>	.313" (7.95mm)	2mm	0.089" (2.26mm)
<a href="#">515-1312-0375F</a>	.375" (9.53mm)	2mm	0.089" (2.26mm)
<a href="#">515-1312-0500F</a>	.500" (12.70mm)	2mm	0.089" (2.26mm)
<a href="#">515-1313-0125F</a>	.125" (3.20mm)	3mm	0.128" (3.25mm)
<a href="#">515-1313-0157F</a>	.157" (4.00mm)	3mm	0.128" (3.25mm)
<a href="#">515-1313-0188F</a>	.188" (4.77mm)	3mm	0.128" (3.25mm)
<a href="#">515-1313-0250F</a>	.250" (6.35mm)	3mm	0.128" (3.25mm)
<a href="#">515-1313-0313F</a>	.313" (7.95mm)	3mm	0.128" (3.25mm)
<a href="#">515-1313-0375F</a>	.375" (9.53mm)	3mm	0.128" (3.25mm)
<a href="#">515-1313-0500F</a>	.500" (12.70mm)	3mm	0.128" (3.25mm)
<a href="#">515-1313-0600F</a>	.600" (15.24mm)	3mm	0.128" (3.25mm)
<a href="#">515-1313-0700F</a>	.700" (17.78mm)	3mm	0.128" (3.25mm)
<a href="#">515-1313-0800F</a>	.800" (20.32mm)	3mm	0.128" (3.25mm)
<a href="#">515-1313-0900F</a>	.900" (22.86mm)	3mm	0.128" (3.25mm)
<a href="#">515-1313-1000F</a>	1.000" (25.4mm)	3mm	0.128" (3.25mm)
<a href="#">515-1313-1100F</a>	1.100" (27.9mm)	3mm	0.128" (3.25mm)
<a href="#">515-1313-1200F</a>	1.200" (30.4mm)	3mm	0.128" (3.25mm)



Dialight reserves the right to make changes at any time in order to supply the best product possible. The most current version of this document will always be available at: [www.dialightsignalsandcomponents.com](http://www.dialightsignalsandcomponents.com)

Warranty Statement: Except for the warranty expressly provided for at: [www.dialight.com/resources/warranties/](http://www.dialight.com/resources/warranties/), Dialight disclaims any and all other warranties, express or implied, including, without limitation, any warranties of merchantability, fitness for a particular purpose, title, and noninfringement.



## 515 SERIES

# Vertical Panel Mount OPTOPIPE® Light Pipes

5mm Diameter Output

### MECHANICAL / SPECIFICATIONS

MOUNTING HOLE SIZE:  
.156"± .002"

MIN. PANEL THICKNESS:  
.040" (1 mm)

OPERATING TEMPERATURE:  
-40°C to +100°C

STORAGE TEMPERATURE:  
-40°C to +100°C

### CERTIFICATIONS & RATINGS

RoHS compliant

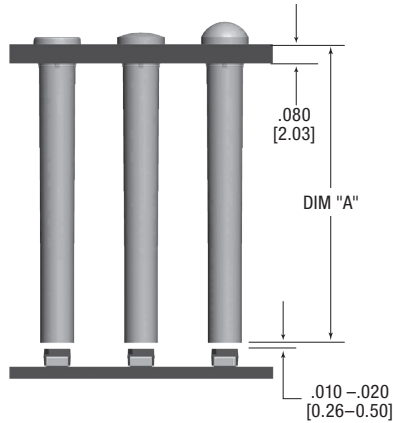
### FEATURES & BENEFITS

- Lengths varying from .125"–1.500"  
Custom length available upon request
- Three lens styles for optimal viewing angles:  
flat, convex and domed
- Designed for both single and multiple colored LEDs
- Light is produced by surface mount LEDs through photonic emission, not as a by product of radiating heat source
- Low voltage and minimal power consumption
- Precision molded from RoHS compliant UL94-V0, water clear polycarbonate with oxygen index of 35%
- Available in diffused textured lens only
- Optimally designed to be used with Dialight surface mount LEDs
- See [Dialight Surface Mount Selector Guide](#) for LED options
- Recommend PLCC-2 and PLCC-4, surface mount LEDs part number: 597-xxxx-207F

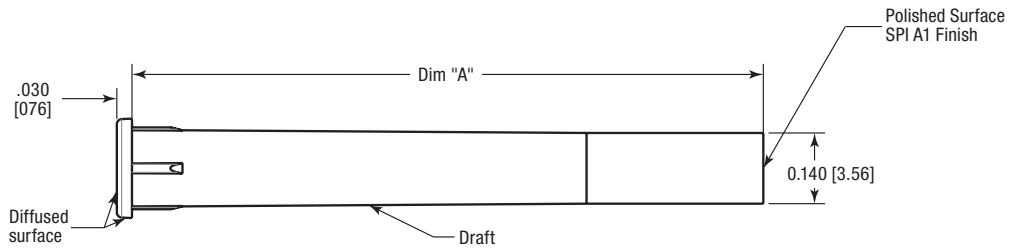
### APPLICATION

Dialight OPTOPIPE® panel mount provide an excellent solution for products that contain a PCB that is parallel to the front panel in need of indication. The UL94-V0 water clear polycarbonate light pipes are secured to the front panel with a press fit that is easy to install. Dialight OPTOPIPE® solutions are a cost effective way of bringing indication to your front panel.

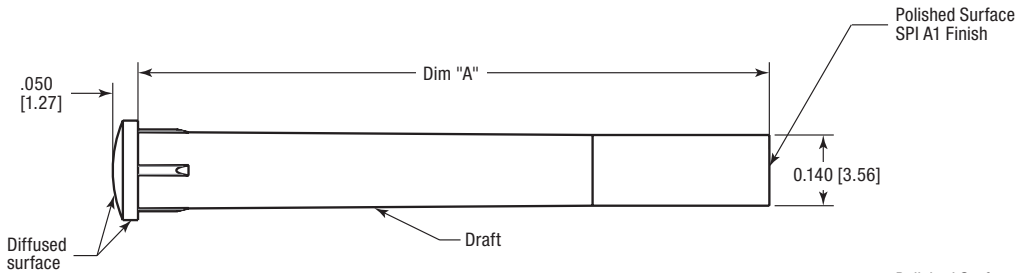
DIMENSIONS inches [mm]



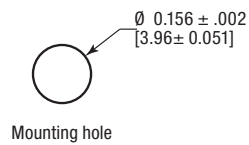
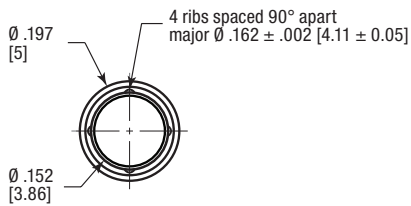
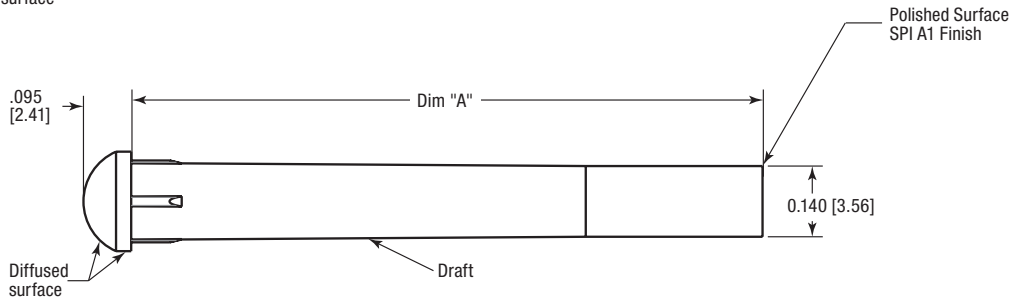
FLAT



CONVEX



DOMED



Standard tolerance of  $\pm .005$ " [.127mm]  
Standard tolerance applies unless otherwise specified

ORDERING INFORMATION

Flat

Part Number	Dim "A"
<a href="#">515-1351-0125F</a>	0.125 [3.20]
<a href="#">515-1351-0188F</a>	0.188 [4.77]
<a href="#">515-1351-0250F</a>	0.250 [6.35]
<a href="#">515-1351-0350F</a>	0.350 [8.89]
<a href="#">515-1351-0375F</a>	0.375 [9.53]
<a href="#">515-1351-0500F</a>	0.500 [12.70]
<a href="#">515-1351-0625F</a>	0.625 [15.88]
<a href="#">515-1351-0750F</a>	0.750 [19.05]
<a href="#">515-1351-0800F</a>	0.800 [20.32]
<a href="#">515-1351-0900F</a>	0.900 [22.86]
<a href="#">515-1351-1000F</a>	1.000 [25.40]
<a href="#">515-1351-1250F</a>	1.250 [31.75]
<a href="#">515-1351-1500F</a>	1.500 [38.10]

Convex

Part Number	Dim "A"
<a href="#">515-1352-0125F</a>	0.125 [3.20]
<a href="#">515-1352-0188F</a>	0.188 [4.77]
<a href="#">515-1352-0250F</a>	0.250 [6.35]
<a href="#">515-1352-0350F</a>	0.350 [8.89]
<a href="#">515-1352-0375F</a>	0.375 [9.53]
<a href="#">515-1352-0500F</a>	0.500 [12.70]
<a href="#">515-1352-0625F</a>	0.625 [15.88]
<a href="#">515-1352-0750F</a>	0.750 [19.05]
<a href="#">515-1352-0800F</a>	0.800 [20.32]
<a href="#">515-1352-0900F</a>	0.900 [22.86]
<a href="#">515-1352-1000F</a>	1.000 [25.40]
<a href="#">515-1352-1100F</a>	1.100 [27.94]
<a href="#">515-1352-1250F</a>	1.250 [31.75]
<a href="#">515-1352-1500F</a>	1.500 [38.10]

Domed

Part Number	Dim "A"
<a href="#">515-1353-0125F</a>	0.125 [3.20]
<a href="#">515-1353-0188F</a>	0.188 [4.77]
<a href="#">515-1353-0250F</a>	0.250 [6.35]
<a href="#">515-1353-0350F</a>	0.350 [8.89]
<a href="#">515-1353-0375F</a>	0.375 [9.53]
<a href="#">515-1353-0460F</a>	0.460 [11.68]
<a href="#">515-1353-0500F</a>	0.500 [12.70]
<a href="#">515-1353-0625F</a>	0.625 [15.88]
<a href="#">515-1353-0700F</a>	0.700 [17.78]
<a href="#">515-1353-0750F</a>	0.750 [19.05]
<a href="#">515-1353-0800F</a>	0.800 [20.32]
<a href="#">515-1353-0900F</a>	0.900 [22.86]
<a href="#">515-1353-1000F</a>	1.000 [25.40]
<a href="#">515-1353-1250F</a>	1.250 [31.75]
<a href="#">515-1353-1500F</a>	1.500 [38.10]



Dialight reserves the right to make changes at any time in order to supply the best product possible. The most current version of this document will always be available at: [www.dialightsignalsandcomponents.com](http://www.dialightsignalsandcomponents.com)

Warranty Statement: Except for the warranty expressly provided for at: [www.dialight.com/resources/warranties/](http://www.dialight.com/resources/warranties/), Dialight disclaims any and all other warranties, express or implied, including, without limitation, any warranties of merchantability, fitness for a particular purpose, title, and noninfringement.



## 515 SERIES

# Right Angle Vertical Panel Mount OPTOPIPE® Light Pipes

5mm Diameter Output

### MECHANICAL / SPECIFICATIONS

MOUNTING HOLE SIZE:  
.156" ± .002" (3.96mm ± 0.05mm)

MIN. PANEL THICKNESS:  
.063" (1.6mm)

OPERATING TEMPERATURE:  
-40°C to +100°C

STORAGE TEMPERATURE:  
-40°C to +100°C

### CERTIFICATIONS & RATINGS

RoHS compliant

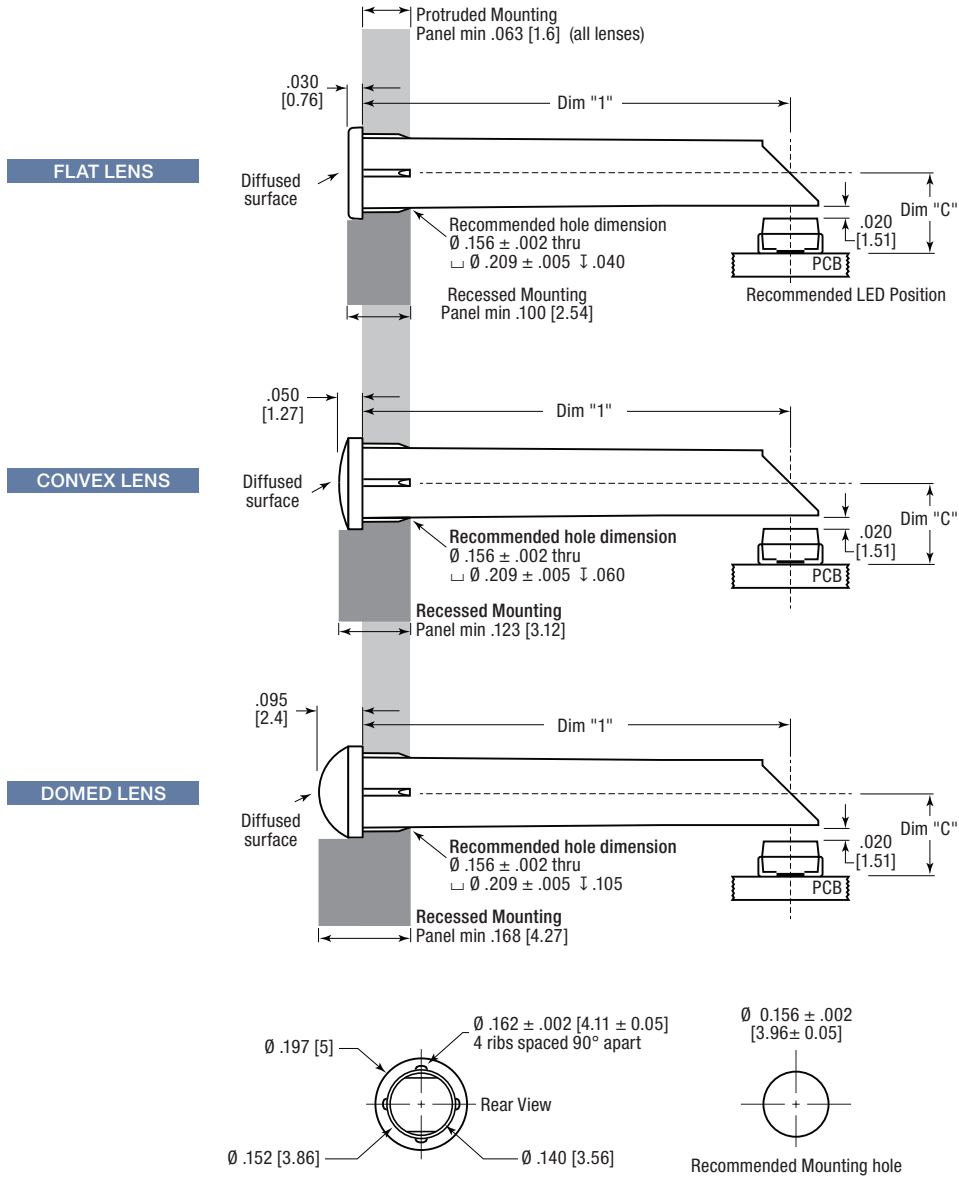
### FEATURES & BENEFITS

- Lengths varying from .250"–1.500"
- Flat, convex and domed lens options with diffused textured finish
- Designed for both single and multiple colored LEDs
- Precision molded from ROHS compliant UL94-V0, water clear polycarbonate with oxygen index of 35%
- Halogen-free PC material
- Optimally designed to be used with Dialight surface mount LEDs; see [Surface Mount Selector Guide](#) for LED options
- Recommend PLCC-2 and PLCC-4, surface mount LEDs part # 597-xxxx-207F

### APPLICATION

Dialight's Right Angle Vertical Panel Mount OPTOPIPE® Light Pipes provide an excellent solution for products that contain a PCB that is perpendicular to the front panel. The UL94-V0 water clear polycarbonate light pipes are secured to the front panel with a press fit that is easy to install. Dialight OPTOPIPE® Light Pipes are a cost effective way of bringing indication to your front panel.

DIMENSIONS inches [mm]



Standard tolerance of  $\pm .005$  [127mm]  
Standard tolerance applies unless otherwise specified

ORDERING INFORMATION

Flat

Part Number	Dim "1"	Dim "C"
<a href="#">515-1361-0250F</a>	.190 [4.83]	.165 [4.19]
<a href="#">515-1361-0350F</a>	.290 [7.37]	.165 [4.19]
<a href="#">515-1361-0375F</a>	.315 [8.00]	.165 [4.19]
<a href="#">515-1361-0500F</a>	.440 [11.18]	.165 [4.19]
<a href="#">515-1361-0625F</a>	.565 [14.35]	.165 [4.19]
<a href="#">515-1361-0750F</a>	.690 [17.53]	.165 [4.19]
<a href="#">515-1361-0800F</a>	.740 [18.80]	.165 [4.19]
<a href="#">515-1361-0900F</a>	.840 [21.34]	.165 [4.19]
<a href="#">515-1361-1050F</a>	.990 [25.15]	.165 [4.19]
<a href="#">515-1361-1250F</a>	1.19 [30.23]	.165 [4.19]
<a href="#">515-1361-1500F</a>	1.44 [36.58]	.165 [4.19]

Convex

Part Number	Dim "1"	Dim "C"
<a href="#">515-1362-0250F</a>	.190 [4.83]	.165 [4.19]
<a href="#">515-1362-0350F</a>	.290 [7.37]	.165 [4.19]
<a href="#">515-1362-0375F</a>	.315 [8.00]	.165 [4.19]
<a href="#">515-1362-0500F</a>	.440 [11.18]	.165 [4.19]
<a href="#">515-1362-0625F</a>	.565 [14.35]	.165 [4.19]
<a href="#">515-1362-0750F</a>	.690 [17.53]	.165 [4.19]
<a href="#">515-1362-0800F</a>	.740 [18.80]	.165 [4.19]
<a href="#">515-1362-0900F</a>	.840 [21.34]	.165 [4.19]
<a href="#">515-1362-1050F</a>	.990 [25.15]	.165 [4.19]
<a href="#">515-1362-1250F</a>	1.19 [30.23]	.165 [4.19]
<a href="#">515-1362-1500F</a>	1.44 [36.58]	.165 [4.19]

Domed

Part Number	Dim "1"	Dim "C"
<a href="#">515-1363-0250F</a>	.190 [4.83]	.165 [4.19]
<a href="#">515-1363-0350F</a>	.290 [7.37]	.165 [4.19]
<a href="#">515-1363-0375F</a>	.315 [8.00]	.165 [4.19]
<a href="#">515-1363-0500F</a>	.440 [11.18]	.165 [4.19]
<a href="#">515-1363-0625F</a>	.565 [14.35]	.165 [4.19]
<a href="#">515-1363-0750F</a>	.690 [17.53]	.165 [4.19]
<a href="#">515-1363-0800F</a>	.740 [18.80]	.165 [4.19]
<a href="#">515-1363-0900F</a>	.840 [21.34]	.165 [4.19]
<a href="#">515-1363-1050F</a>	.990 [25.15]	.165 [4.19]
<a href="#">515-1363-1250F</a>	1.19 [30.23]	.165 [4.19]
<a href="#">515-1363-1500F</a>	1.44 [36.58]	.165 [4.19]



Dialight reserves the right to make changes at any time in order to supply the best product possible. The most current version of this document will always be available at: [www.dialightsignalsandcomponents.com](http://www.dialightsignalsandcomponents.com)

Warranty Statement: Except for the warranty expressly provided for at: [www.dialight.com/resources/warranties/](http://www.dialight.com/resources/warranties/), Dialight disclaims any and all other warranties, express or implied, including, without limitation, any warranties of merchantability, fitness for a particular purpose, title, and noninfringement.

# Circuit Board Indicators

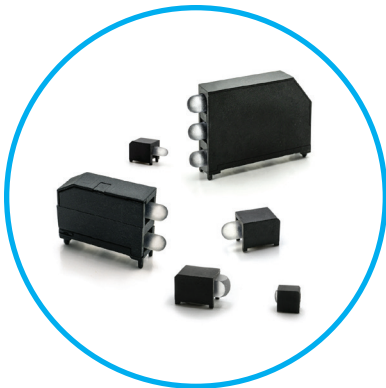


550, 551, 552, 553, 555, 561, 564, 566, 567, 568, 569, 570 AND 571 SERIES

## **CBI® Through Hole** Discrete and housed LEDs

*The widest variety of configurations including:*

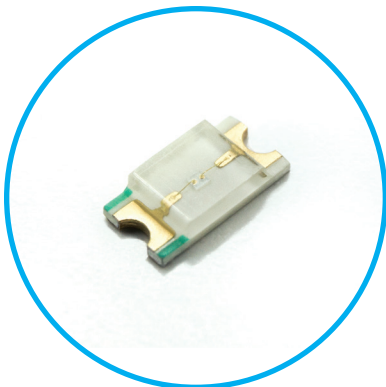
- Right angle, vertical and horizontal arrays in single, bi, tri and quad blocks
- 2mm, 3mm, 4mm, 5mm and rectangular LEDs
- Perfect for direct view or backlighting applications
- Single and bi-color, diffused, water-clear, tinted, super-bright and high efficiency
- Over 2500 variations, with custom LED placement available
- All visible colors of the spectrum available (from blue to red)



591, 592, 593, 594, 595 AND 596 SERIES

## **PRISM® Surface Mount LEDs** Right Angle SMDs

- Fully SMD process compliant part (taped and reeled / pick and place / reflow oven compatible)
- 1.6mm, 2mm and 3mm LEDs
- Can withstand higher temp RoHS solder process and eliminates need for secondary optics or separate process
- Available in standard and low current versions
- Available with square or round lens
- Packaged in single, bi- and tri-level configurations



597, 598 AND 599 SERIES

## **microLED®** Surface Mount LEDs

*Ten different package sizes including:*

- 0402, 0404, 0603, 0606, 0805, 1206, 1208, 1210, 1515, 2827, 3528 / PLCC and 3735
- Single color, bi-color, tri-color in top, right angle, and reverse mount LED configurations
- Latest AlInGaP and InGaN technology
- Cost competitive pricing



515 SERIES

## **OPTOPIPE® Light Pipes** for use with microLED® SMDs

- Light pipes act as a conduit for directing light from LED to front panel viewing
- For PCB and panel mount press-fit mounting
- Right angle and vertical versions available in more than 400 sizes and shapes
- Provides ESD protection, operating / storage temperature -30°C to +100°C
- Allows edge lighting around components such as SFP assemblies and RJ45 jacks
- UL 94V-0 Compliant

# Panel Mount Indicators



585 AND 586

## Based LED Bulbs

- Replaces traditional miniature incandescent bulbs with rugged long-lasting and energy-efficient LEDs
- Base styles including: T 1 3/4 Midget Flange, Wedge Base and Bi-Pin, T 3 1/4 Mini-Bayonet and Mini-Screw, T2 Telephone Slide and 15mm Bayonet
- Voltages from 6, 14 and 28 VDC, 6-36 VDC multi-voltage operation and 125 VAC with non-polarized versions available
- Colors include: red, green, yellow, blue and white while our 558, 559 and some 600 series use a snap-in plastic housing



249, 507, 556, 557, 558, 559, 605, 606, 607, 608, 609, 610, 612, 620, 621, 622, 623, 630, 653, 654, 655, 656 657, 658, 675, 676, 677, 678, 679, 680 AND 682 SERIES

## LED Panel Mount Indicators

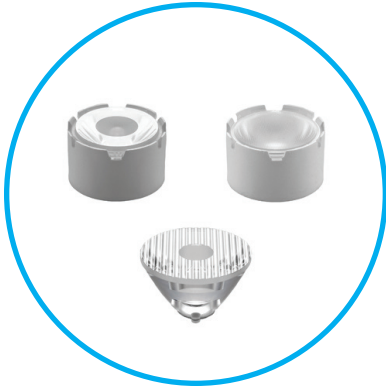
Plastic and metal housings

- Incorporating the latest LED technology in a tamper-proof metal housing enclosures
- Variety of mounting hole diameters from 0.156" (3.9mm) - 1.18" (30 mm)
- Operating voltages 2-72 VDC, 125 and 230 VAC
- Some feature a water-tight seal to NEMA 4X / IP66/67 and daylight viewability
- Available in: red, green, yellow, orange, blue, cyan and white
- 556 and 656 series are UL certified
- RoHS compliant, some with 6C exemptions
- All metal and some plastic housing use lock washer and nut for secure mounting while our 558, 559 and some 600 series use a snap-in plastic housing



## Military And Relampable Panel Mount Indicators

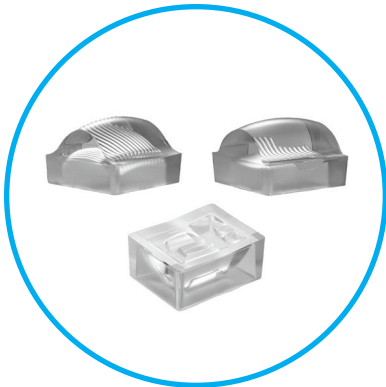
- Military - LH, LC and MS designations and QPL listed
- Incandescent or neon, designed to mount into 15/32", 11/16" and 1" clearance holes
- Feature water-tight and oil-tight, edge lighting, press-to-test, and dimmable semi or total blackout
- Consult Dialight's Military Cross Reference for specific part number
- Commercial - Incandescent or neon indicators UL recognized designed to mount into 15/32", 11/16" and 1" clearance holes
- Lenses are available in flat, dome, torpedo and faceted



OPT SERIES

## TIR Optics

- High transmissivity
- UL rated optic material
- Optic only with tape or Optic pre-installed in housing with tape for mounting



OPT SERIES

## Lens Optics

- High transmissivity
- UL rated optic material
- Lens includes locating pins for consistent alignment



OPT SERIES

## Reflective Optics

- Only 11.5mm (0.453") maximum diameter
- Ideal for tightly spaced LED arrays
- Adhesive backing for easy installation. Adhesive rated from -40°C to +120°C (-40°F to +248°F)
- Automatic alignment feature
- Spot and wide versions available
- Universal version suites Cree XPC, XPE, XPG and standard Rebel LEDs



Dialight  
Signals & Components

[www.dialightsignalsandcomponents.com](http://www.dialightsignalsandcomponents.com)

## Looking for pricing, stock, or lifecycle information?

Click below to explore more details on WIN SOURCE:

 [View 5151049F on WIN SOURCE](#)

 [Dialight Information](#)

## Optimize Your Supply Chain with WIN SOURCE Solutions

-  Global Sourcing Solution
-  Obsolete Management
-  Cost Control Management
-  Shortage Management
-  Alternative Solution
-  Excess Inventory Management