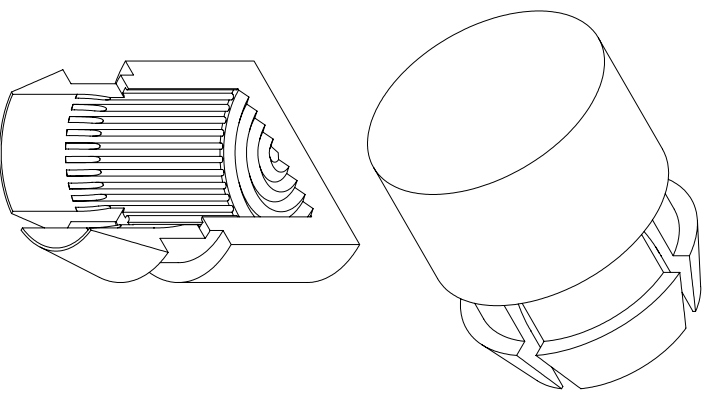
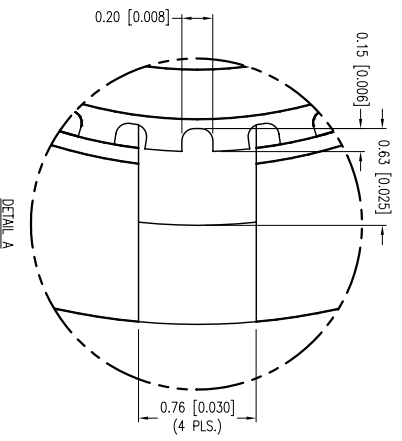
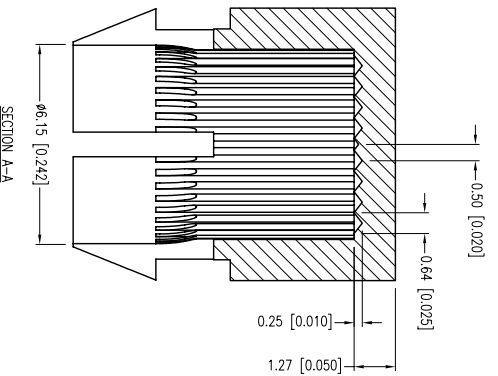
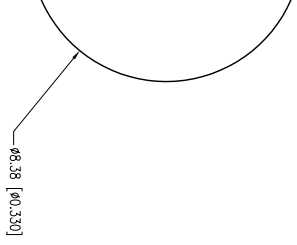




**THE DATASHEET OF
SSN-LX13049L-YD**



PART NUMBER	SSN-LX13049L-YD	REV.	D
DATE	E.C.N. NUMBER AND REVISION COMMENTS	REV.	
07.19.95	REDRAWN.	A	
03.02.99	E.C.N. #10BRDR. & REDRAWN (MODELED).	B	
11.16.06	E.C.N. #11148.	C	
09.14.11	E.C.N. #10BRDR. & REDRAWN.	D	



- NOTES:
1. MATERIAL: POLYCARBONATE LEXAN 123 OR SIMILAR.
 2. COLOR: YELLOW TRANSPARENT.
 3. FINISH: OUTSIDE POLISHED, INSIDE AS MOULDED.
 4. MOUNTING HOLE: 7.37 [0.290"] TO 7.95 [0.313"]

HELEN ROAD
E. IL 60067-6976
+1.847.359.2790
WWW.LUMEX.COM

X±1 (+0.039), X±H0.5 (+0.020), XX±H0.25 (+0.010), XXX±H0.127 (+0.005), LEAD SIZE=H0.05 (+0.002), LEAD LENGTH=H0.75 (+0.030), MIN= -0.00 (-0.00) DECIMAL PRECISION MAX.= +0.00 (-0.00) DECIMAL PRECISION

LED PANEL LENS CLIP IN YELLOW POLYCARBONATE.

THE SPECIFICATIONS MAY CHANGE AT ANY TIME WITHOUT NOTICE DUE TO NEW MATERIALS OR PRODUCT IMPROVEMENT

CONFIDENTIAL INFORMATION

THE INFORMATION CONTAINED IN THIS DOCUMENT IS THE PROPERTY OF LUMEX INC. EXCEPT AS SPECIFICALLY AUTHORIZED IN WRITING BY LUMEX INC., THE HOLDER OF THIS DOCUMENT SHALL KEEP ALL INFORMATION CONTAINED HEREIN CONFIDENTIAL AND SHALL PROTECT SAME IN WHOLE OR IN PART FROM DISCLOSURE AND DISSEMINATION TO ALL THIRD PARTIES.


UNCONTROLLED DOCUMENT

DATE:	09.14.11	DRAWN BY:	AB
PAGE:	1 OF 1	CHKD BY:	KF
SCALE:	NTS	APRVD BY:	SS
UNIT:	mm [INCH]		



Looking for pricing, stock, or lifecycle information?

Click below to explore more details on WIN SOURCE:

-  [View SSN-LX13049L-YD on WIN SOURCE](#)
-  [Lumex Opto/Components Inc. Information](#)

Optimize Your Supply Chain with WIN SOURCE Solutions

-  Global Sourcing Solution
-  Obsolete Management
-  Cost Control Management
-  Shortage Management
-  Alternative Solution
-  Excess Inventory Management