



**THE DATASHEET OF
SSF-LXH109SISUGW**

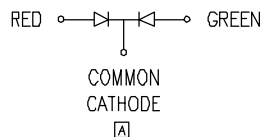
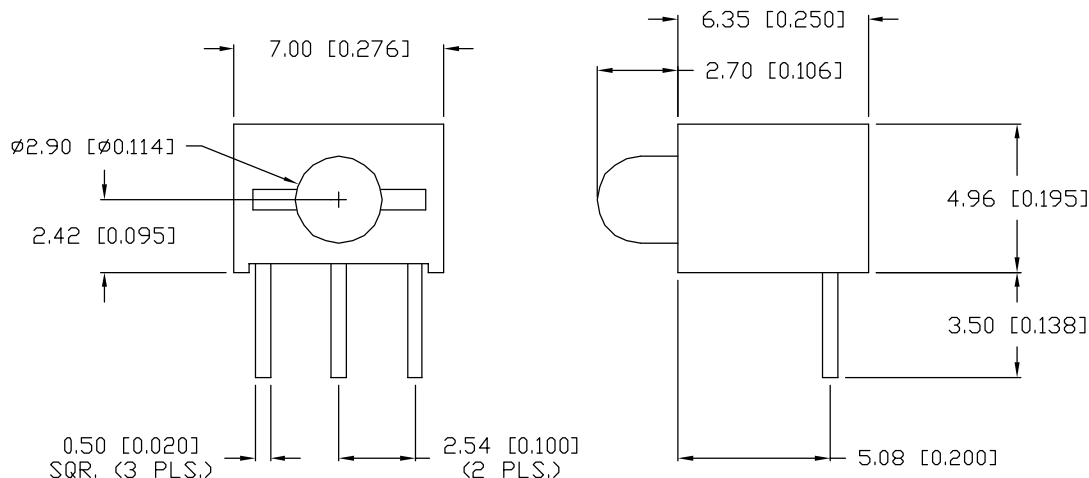


UNCONTROLLED DOCUMENT

PART NUMBER
SSF-LXH109SISUGW

REV.
A

| REV. | E.C.N. NUMBER AND REVISION COMMENTS | DATE |
|------|-------------------------------------|---------|
| A | E.C.N. #10991. | 5.15.03 |



ELECTRO-OPTICAL CHARACTERISTICS $T_A=25^\circ\text{C}$ $I_f=20\text{mA}$

| PARAMETER | MIN | TYP | MAX | UNITS | TEST COND |
|-----------------------|----------------------|-------------|---------|----------|----------------------|
| PEAK WAVELENGTH | | 636 (RED) | | nm | |
| | | 574 (GREEN) | | nm | |
| FORWARD VOLTAGE (R/G) | | 2.0/2.2 | 2.5/2.6 | V_f | |
| REVERSE VOLTAGE | 5.0 | | | V_r | $I_r=100\mu\text{A}$ |
| AXIAL INTENSITY (R/G) | | 350/130 | | mcd | $I_f=20\text{mA}$ |
| VIEWING ANGLE | | 60 | | 2x theta | |
| EMITTED COLOR: | RED/GREEN | | | | |
| EPOXY LENS FINISH: | MILKY WHITE DIFFUSED | | | | |

LIMITS OF SAFE OPERATION AT 25°C

| PARAMETER | COLORS | MAX | UNITS |
|--------------------------------|--------|------------|----------------------|
| PEAK FORWARD CURRENT* | | 150 | mA |
| STEADY CURRENT | (R/G) | 30/25 | mA |
| POWER DISSIPATION | | 105 | mW |
| DERATE FROM 25°C | | -1.2 | mW/ $^\circ\text{C}$ |
| OPERATING, STORAGE TEMP. | | -40 TO +85 | $^\circ\text{C}$ |
| SOLDERING TEMP. | | +260 | $^\circ\text{C}$ |
| 2.0mm FROM BODY | | | 3 SEC. MAX |

* $t < 10\mu\text{s}$

*UNLESS OTHERWISE SPECIFIED TOLERANCES PER DECIMAL PRECISION ARE: X=±1 (±0.039), X.X=±0.5 (±0.020), X.XX=±0.25 (±0.010), X.XXX=±0.127 (±0.005). LEAD SIZE=±0.05 (±0.002), LEAD LENGTH=±0.75 (±0.030). MIN.= +DECIMAL PRECISION MAX.= +0.00 -DECIMAL PRECISION

UNCONTROLLED DOCUMENT

| | |
|--|---------------------------------|
| REV. A | PART NUMBER SSF-LXH109SISUGW |
| T-3mm 3 LEADED BI-COLOR FAULT INDICATOR, 636nm RED/574nm GREEN, MILKY WHITE DIFFUSED LENS. | |

CONFIDENTIAL INFORMATION
THE INFORMATION CONTAINED IN THIS DOCUMENT IS THE PROPERTY OF LUMEX INC. EXCEPT AS SPECIFICALLY AUTHORIZED IN WRITING BY LUMEX INC., THE HOLDER OF THIS DOCUMENT SHALL KEEP ALL INFORMATION CONTAINED HEREIN CONFIDENTIAL AND SHALL PROTECT SAME IN WHOLE OR IN PART FROM DISCLOSURE AND DISSEMINATION TO ALL THIRD PARTIES.

RELIABILITY NOTE
OUR MANY YEARS OF EXPERIENCE DATA ACCUMULATION INDICATE THAT SOLDER HEAT IS A MAJOR CAUSE OF EARLY AND FUTURE FAILURE. PLEASE PAY ATTENTION TO YOUR SOLDERING PROCESS.

| | | | |
|-----------------|-------------|---|---|
| | | 290 E. HELEN ROAD PALATINE, IL 60067-6976 PHONE: +1.847.359.2790 US WEB: www.lumex.com TW WEB: www.lumex.com.tw | |
| DRAWN BY: CT | CHECKED BY: | APPROVED BY: | DATE: 4.04.02 PAGE: 1 OF 1 SCALE: N/A |

Looking for pricing, stock, or lifecycle information?

Click below to explore more details on WIN SOURCE:

- ⊖ [View SSF-LXH109SISUGW on WIN SOURCE](#)
- ⊖ [Lumex Opto/Components Inc. Information](#)

Optimize Your Supply Chain with WIN SOURCE Solutions

- ✓ Global Sourcing Solution
- ✓ Obsolete Management
- ✓ Cost Control Management
- ✓ Shortage Management
- ✓ Alternative Solution
- ✓ Excess Inventory Management