



**THE DATASHEET OF  
SSF-LXH25780YD**



PART NUMBER  
SSF-LXH25780YD

REV.

B

DATE		E.C.N. NUMBER AND REVISION COMMENTS		REV.
11.3.97		E.C.N. #10BRDR & #10394.		A
5.28.15		E.C.N. #11955		B

## ELECTRO-OPTICAL CHARACTERISTICS TA=25°C If=20mA

PARAMETER	MIN	TYP	MAX	UNITS	TEST COND
PEAK WAVELENGTH	585 (YELLOW)			nm	
FORWARD VOLTAGE	2.1	2.5		Vf	If=100µA
REVERSE VOLTAGE	5.0			Vr	If=20mA
AXIAL INTENSITY	9			mcad	
VIEWING ANGLE	110			2x theta	
EMITTED COLOR:	YELLOW				
EPOXY LENS FINISH:	YELLOW DIFFUSED				

## LIMITS OF SAFE OPERATION AT 25°C

PARAMETER	MAX	UNITS
PEAK FORWARD CURRENT*	150	mA
STEADY CURRENT	30	mA
POWER DISSIPATION	105	mW
DERATE FROM 25°C	-1.2	mW/°C
OPERATING, STORAGE TEMP.	-40 TO +85	°C
SOLDERING TEMP.	+260	°C
2.0mm FROM BODY		3 SEC. MAX
* t<10µS		

## NOTES:

- SSL-LX25783YD LED
- SSH-LXH25780 HOLDER, BLACK

UNCONTROLLED DOCUMENT

PER DECIMAL PRECISION ARE: X=±1 (±0.039), X.X=±0.5 (±0.020), X.XX=±0.25 (±0.010), X.XXX=±0.127 (±0.005), LEAD SIZE=±0.05 (±0.002), LEAD LENGTH=±0.75 (±0.030), MIN=-0.00

## CONFIDENTIAL INFORMATION

THE INFORMATION CONTAINED IN THIS DOCUMENT IS THE PROPERTY OF LUMEX INC. EXCEPT AS SPECIFICALLY AUTHORIZED IN WRITING BY LUMEX INC., THE HOLDER OF THIS DOCUMENT SHALL KEEP ALL INFORMATION CONTAINED HEREIN CONFIDENTIAL AND SHALL PROTECT SAME IN WHOLE OR IN PART FROM DISCLOSURE AND DISSEMINATION TO ALL THIRD PARTIES.

## RELIABILITY NOTE

OUR MANY YEARS OF EXPERIENCE DATA ACCUMULATION INDICATE THAT SOLDER HEAT IS A MAJOR CAUSE OF EARLY AND FUTURE FAILURE. PLEASE PAY ATTENTION TO YOUR SOLDERING PROCESS.

MIBER

5780SYD

RIGHT ANGLE LED,

SEED



Crediting LED and LCD Solutions Together™

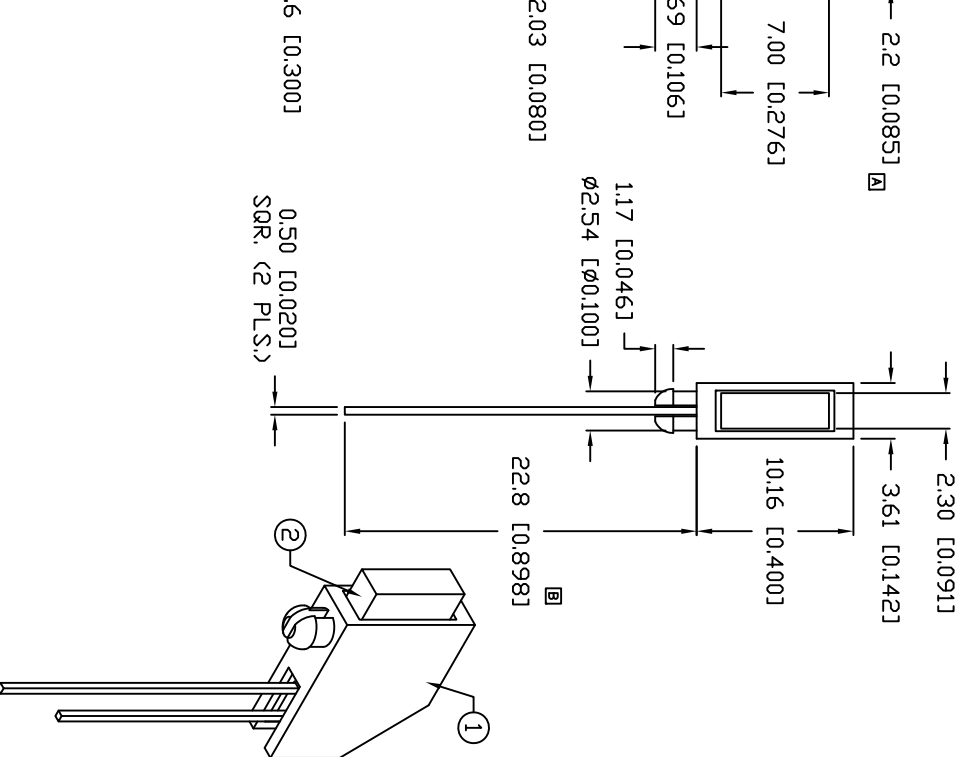
425 N. GARY AVE.  
CAROL STREAM, IL 60188-4900  
PHONE: +1.800.278.5686  
FAX: +1.530.315.2152  
WEB: WWW.LUMEX.COM

DRAWN BY: AB

CHECKED BY:

APPROVED BY:

DATE: 01.01.01  
PAGE: 1 OF 1  
SCALE: N/A



## Looking for pricing, stock, or lifecycle information?

Click below to explore more details on WIN SOURCE:

- ⊖ [View SSF-LXH25780YD on WIN SOURCE](#)
- ⊖ [Lumex Opto/Components Inc. Information](#)

## Optimize Your Supply Chain with WIN SOURCE Solutions

- ✓ Global Sourcing Solution
- ✓ Obsolete Management
- ✓ Cost Control Management
- ✓ Shortage Management
- ✓ Alternative Solution
- ✓ Excess Inventory Management