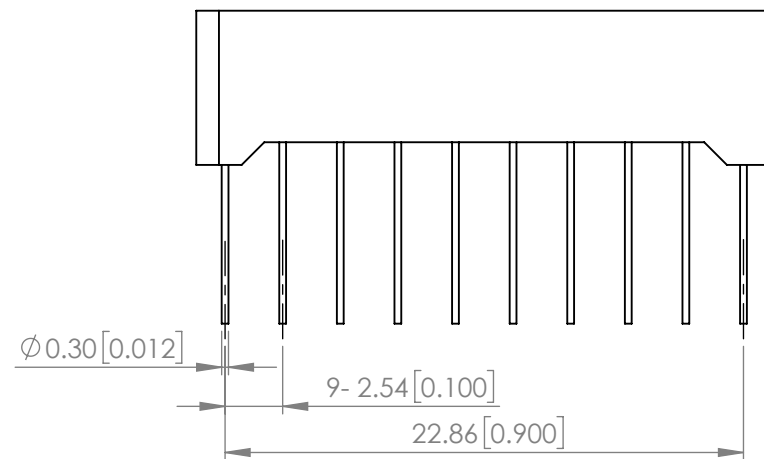
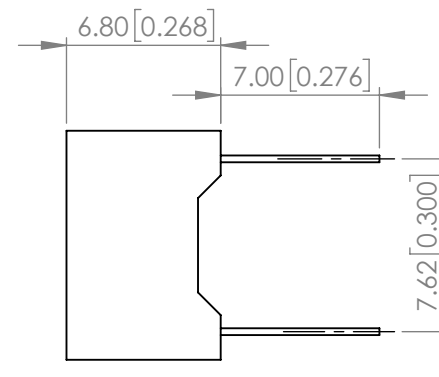
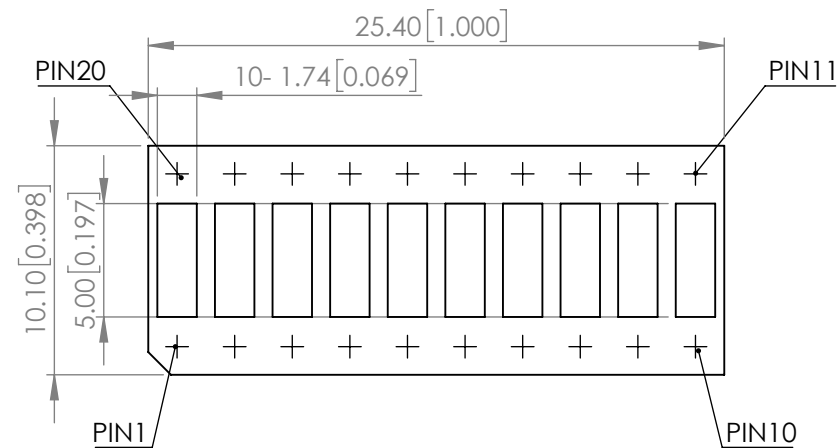




**THE DATASHEET OF
SSA-LXB10HW-GF**



PART NUMBER	SSA-LXB10HW-GF/LP	REV	G
REV	E.C.N. NUMBER AND REVISION COMMENTS	DATE	
A	CHG'D SAVE OPER SPECS	08.15.94	
B	CHG'D REFLECTOR HIEGHT	08.30.94	
C	E.C.N. #10BRDR. & REDRAWN	05.12.99	
D	E.C.N. #10676	11.08.00	
E	E.C.N. #11148	05.23.07	
F	E.C.N. #11525	08.02.08	
G	ECN-Lumex202100058	12.06.21	



ELECTRO-OPTICAL CHARACTERISTIC TA=25°C PER SEGMENT

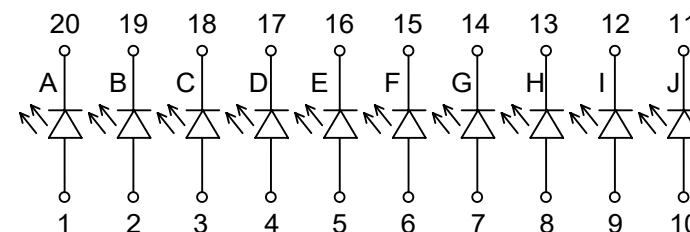
PARAMETER	MIN	TYP	MAX	UNITS	TEST COND
PEAK WAVELENGTH	-	700	-	nm	If=20mA
FORWARD VOLTAGE	-	2.35	2.6	Vf	If=20mA
REVERSE CURRENT	-	-	100	uA	VR=5V
LUMINOUS INTENSITY	-	750	-	ucd	If=10mA
EMITTED COLOR	RED				
FONT COLOR	GRAY				
SEGMENT COLOR	MILKY WHITE DIFFUSED				

ABSOLUTE MAXIMUM RATINGS TA=25°C PER SEGMENT


PARAMETER	MAX	UNITS
PEAK FORWARD CURRENT*	100	mA
FORWARD CURRENT	25	mA
POWER DISIPATION	65	mW
REVERSE VOLTAGE	5	V
STORAGE TEMPERATURE	-35 TO +85	°C
OPERATING TEMPERATURE	-35 TO +85	°C
SOLDERING TEMPERATURE**	3 SEC MAX@260°C	-

* 1/10 Duty, 10KHz
 **2.0mm FROM BODY

POLARITY



*UNLESS OTHERWISE SPECIFIED TOLERANCES PER DECIMAL PRECISION ARE: X=±1 (±0.039), X.X=±0.5 (±0.020), X.XX=±0.25 (±0.010), X.XXX=±0.127 (±0.005). LEAD SIZE=±0.05 (±0.002), LEAD LENGTH=±0.75 (±0.030). MIN= ^{+DECIMAL PRECISION}/_{-0.00} MAX= ^{+0.00}/_{-DECIMAL PRECISION}

 <p>425 N. GARY AVE. CAROL STREAM, IL 60188 PHONE : 800-278-5666 FAX : 630-315-2150 WEB : WWW.LUMEX.COM</p>	10 SEGMENTS RECTANGULAR BAR GRAPH, 700nm RED CHIPS, LOW PROFILE, GRAY FACE WITH MILKY WHITE SEGMENTS	DATE : 2021.12.09	DRAWN BY : E.C.	
	THE SPECIFICATIONS MAY CHANGE AT ANY TIME WITHOUT NOTICE.	PAGE : 1 OF 1	CHKD BY : E.C.	
	CONFIDENTIAL INFORMATION	SCALE : NTF	APRVD BY : G.Y.	
	THE INFORMATION CONTAINED IN THIS DOCUMENT IS THE PROPERTY OF LUMEX INC. EXCEPT AS SPECIFICALLY AUTHORIZED IN WRITING BY LUMEX INC., THE HOLDER OF THIS DOCUMENT SHALL KEEP ALL INFORMATION CONTAINED HEREIN CONFIDENTIAL AND SHALL PROTECT SAME IN WHOLE OR IN PART FROM DISCLOSURE AND DISSEMINATION TO ALL THIRD PARTIES.	UNIT : mm [INCH]		

Looking for pricing, stock, or lifecycle information?

Click below to explore more details on WIN SOURCE:

- ⊖ [View SSA-LXB10HW-GF on WIN SOURCE](#)
- ⊖ [Lumex Opto/Components Inc. Information](#)

Optimize Your Supply Chain with WIN SOURCE Solutions

- ✓ Global Sourcing Solution
- ✓ Obsolete Management
- ✓ Cost Control Management
- ✓ Shortage Management
- ✓ Alternative Solution
- ✓ Excess Inventory Management