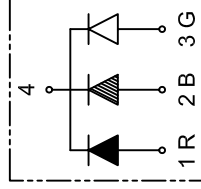
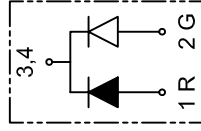
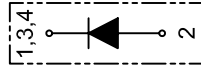
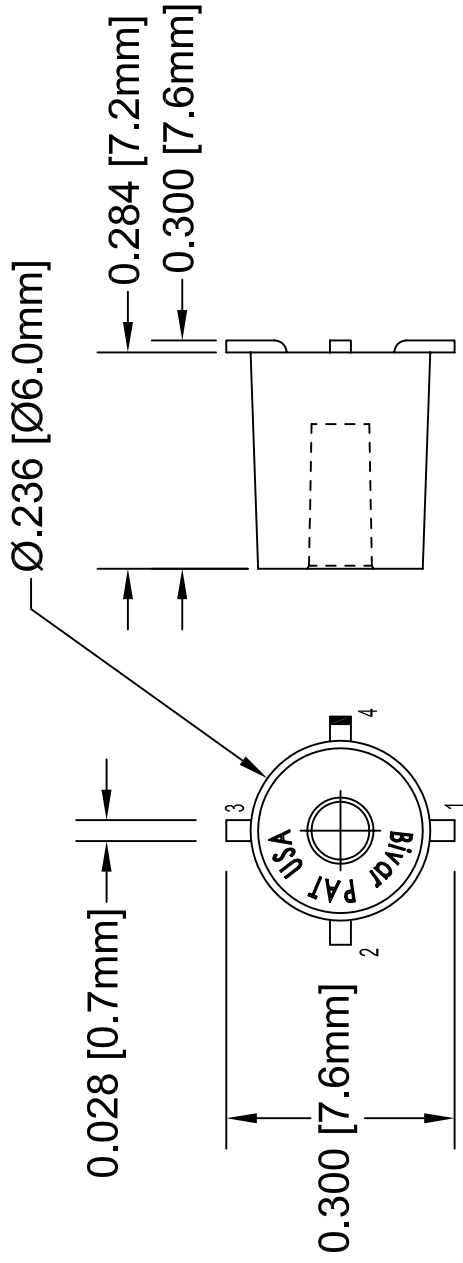




THE DATASHEET OF SMPT-UGC



REV.	DE
H	Typo Correction Page "500" to "800" pcs Per
J	Changed "800" pcs Per
K	Removed Low Current
L	Removed LeadFrame



0.268 [6.8mm] →
SQ. TYP.

↓ 0.08 [2.0mm]
↑ SQ. TYP.

Recommended Solder

ABSOLUTE MAXIMUM RATINGS (Ta=25° C)

REVERSE VOLTAGE _____ 5V

REVERSE CURRENT _____ 100uA

OPERATING TEMPERATURE RANGE _____ -25° C - 85° C

STORAGE TEMPERATURE _____ -30° C - 100° C

LEAD SOLDERING TEMPERATURE(1/16" FROM BODY) _____ 260° C FOR 5 SECONDS

STANDARD TOLERANCING (UNLESS OTHERWISE SPECIFIED)	
DECIMALS	ANGULAR
.X ±.1	X° ±
.XX ±.02	
.XXX ±.010	
DESIGNED BY:	DATE:
Michael Chen	07/08
CHECKED BY:	DATE:
D. Green	06/24

REV.	DEV.
	SEE SHEET#1.

LED Part No.	Chip			Lens Appearance	Absolute Max. Ratings			
	Material	Peak Wave Length λ_p (nm)	Emitted Color		$\Delta\lambda$ (nm)	Pd (mW)	If (mA)	Peak If(mA)
SMPT-UBWC	GaN	470	BLUE	OPTICAL	150	30	150	
SMPT-UGC	InGaN	525	GREEN	OPTICAL	150	30	150	
SMPT-UYC	AlGaN	595	YELLOW	OPTICAL	100	30	150	
SMPT-URC	AlGaN	640	HE RED	OPTICAL	80	30	150	
SMPT-UWC	GaN	-	WHITE	OPTICAL	150	30	150	
SMPT-SBC	GaN	640	HE RED	OPTICAL	80	30	150	
	GaN	525	GREEN	OPTICAL	150	30	150	
	AlGaN	640	HE RED	OPTICAL	80	30	150	
SMPT-RGB	GaN	470	BLUE	OPTICAL	150	30	150	
	InGaN	525	GREEN	OPTICAL	150	30	150	


STANDARD TOLERANCING
(UNLESS OTHERWISE SPECIFIED)

±10% ALL VALUES

ANGULAR X° ±

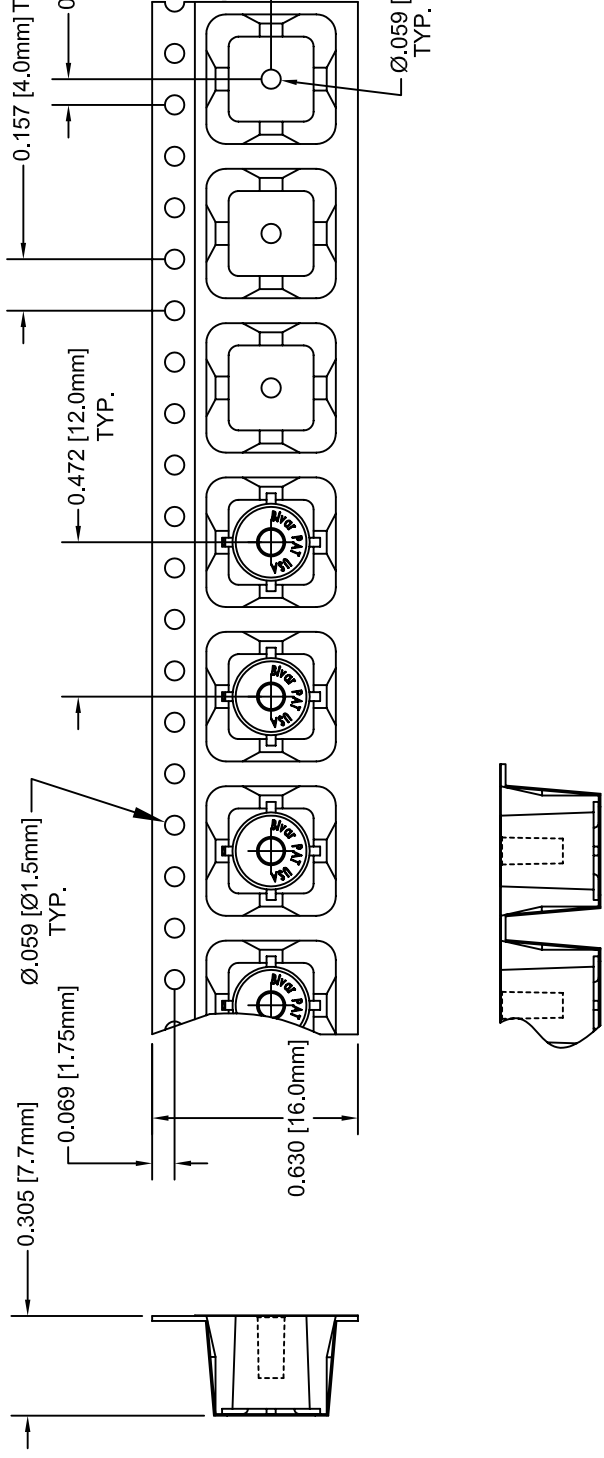
DESIGNED: **David Green** DATE: **07/08**

CHECKED: **M. Chen** DATE: **06/24**



REV.	DE
	SEE SHEET#1.

DIRECTION OF FEED



NOTES:

5. EMPTY COMPONENT POCKETS ARE SEALED WITH TOP COVER TAPE.
4. MINIMUM LEADER LENGTH AT BOTH ENDS OF TAPE IS 17.7 [450.0MM].
3. THE MAXIMUM NUMBER OF EMPTY POCKETS IS TWO.
2. THE MARKED COMMON LEAD#4 IS ORIENTED TOWARDS THE TAPE SPROCKET HOLE IN ACCORDANCE WITH EIA-481 SPECIFICATIONS.
1. 700 pcs PER REEL

STANDARD TOLERANCING (UNLESS OTHERWISE SPECIFIED)	
DECIMALS	ANGULAR
.X ± .1	X° ±
.XX ± .02	
.XXX ± .010	
DESIGNED BY:	DATE:
Michael Chen	07/08
CHECKED BY:	DATE:
D. Green	06/22

Looking for pricing, stock, or lifecycle information?

Click below to explore more details on WIN SOURCE:

 [View SMPT-UGC on WIN SOURCE](#)

 [Bivar Inc. Information](#)

Optimize Your Supply Chain with WIN SOURCE Solutions

-  Global Sourcing Solution
-  Obsolete Management
-  Cost Control Management
-  Shortage Management
-  Alternative Solution
-  Excess Inventory Management