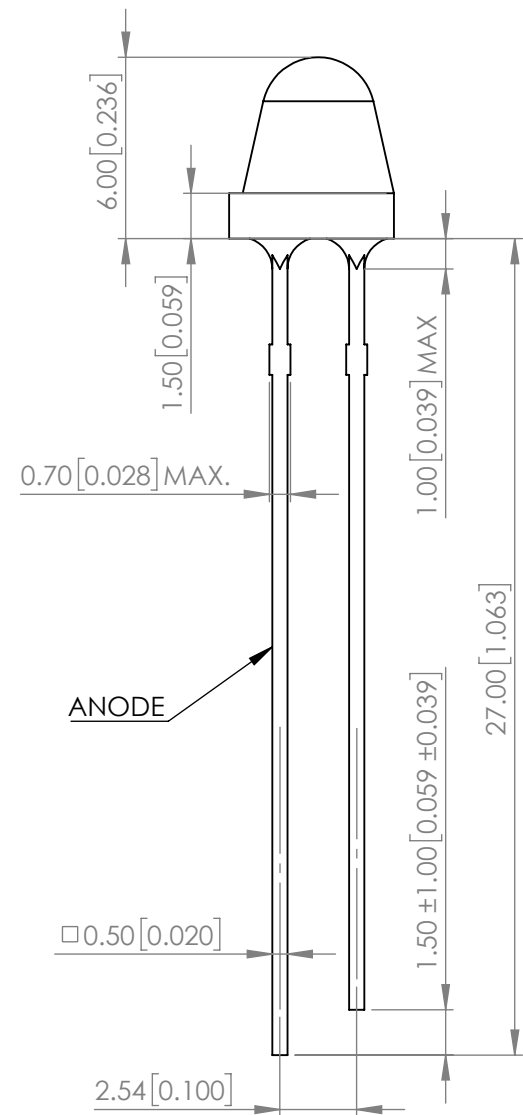
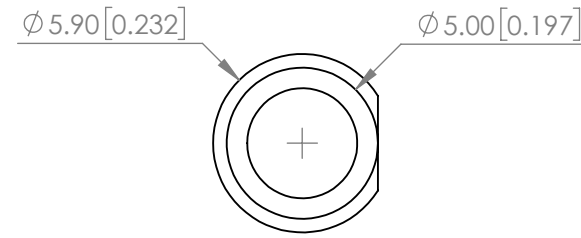




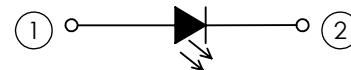
**THE DATASHEET OF  
SSL-LX5063SRD**



<b>PART NUMBER</b>	SSL-LX5063SRD	<b>REV</b>	D
<b>REV</b>	E.C.N. NUMBER AND REVISION COMMENTS	<b>DATE</b>	
A	UPDATED SPECS	07.17.95	
B	E.C.N.#10BRDR. & REDRAWN IN 3D	05.08.01	
C	E.C.N.#11148	10.31.06	
D	ECN-Lumex202300080	08.03.23	



**POLARITY**



**ELECTRO-OPTICAL CHARACTERISTIC TA=25°C**

PARAMETER	MIN	TYP	MAX	UNITS	TEST COND
PEAK WAVELENGTH*	-	645	-	nm	If=20mA
FORWARD VOLTAGE	-	1.9	2.5	Vf	If=20mA
REVERSE CURRENT	-	-	10	uA	VR=5V
LUMINOUS INTENSITY	-	180	-	mcd	If=20mA
VIEWING ANGLE	-	60	-	2x theta1/2	If=20mA
EMITTED COLOR	RED				
EPOXY LENS FINISH	RED DIFFUSED				

**ABSOLUTE MAXIMUM RATINGS TA=25°C**

PARAMETER	MAX	UNITS
PEAK FORWARD CURRENT*	150	mA
FORWARD CURRENT	30	mA
REVERSE VOLTAGE	5	V
POWER DISSIPATION	75	mW
STORAGE TEMPERATURE	-40 TO +85	°C
OPERATING TEMPERATURE	-40 TO +85	°C
SOLDERING TEMPERATURE**	3 SEC. MAX. @260	°C

\*1/10 DUTY CYCLE, 0.1ms PULSE WIDTH  
 \*\*2.0mm FROM BODY

STATIC DEVICE FOLLOW PROPER  
 E.S.D. HANDLING PROCEDURES  
 WHEN WORKING WITH THIS PART

\*UNLESS OTHERWISE SPECIFIED TOLERANCES PER DECIMAL PRECISION ARE: X=±1 (±0.039), X.X=±0.5 (±0.020), X.XX=±0.25 (±0.010), X.XXX=±0.127 (±0.005). LEAD SIZE=±0.05 (±0.002), LEAD LENGTH=±0.75 (±0.030). MIN= <sup>+DECIMAL PRECISION</sup>/<sub>-0.00</sub> MAX.= <sup>+0.00</sup>/<sub>-DECIMAL PRECISION</sub>

## Looking for pricing, stock, or lifecycle information?

Click below to explore more details on WIN SOURCE:

- ⊖ [View SSL-LX5063SRD on WIN SOURCE](#)
- ⊖ [Lumex Opto/Components Inc. Information](#)

## Optimize Your Supply Chain with WIN SOURCE Solutions

- ✓ Global Sourcing Solution
- ✓ Obsolete Management
- ✓ Cost Control Management
- ✓ Shortage Management
- ✓ Alternative Solution
- ✓ Excess Inventory Management