



# THE DATASHEET OF SCDQ5541Q



**Square 0.134" 4-Character  
5x5 Dot Matrix Serial Input Dot Addressable Intelligent Display® Devices**

**Lead (Pb) Free Product - RoHS Compliant**



- Yellow                      SCDQ5541P/Q/R**
- Super-red                  SCDQ5542P/Q/R**
- Green                        SCDQ5543P/Q/R**
- High Efficiency Green    SCDQ5544P/Q/R**

**DESCRIPTION**

The SCDQ5541X (Yellow), SCDQ5542X (Super-red), SCDQ5543X (Green), and SCDQ5544X (High Efficiency Green) are four digit, dot addressable 5 x 5 dot matrix, serial input, alphanumeric Intelligent Display devices in a square format. The four digits are packaged in a rugged, high quality, optically transparent, plastic package several mounting options. The SIP Pin for standard display mounting and 90° Bend SIP for side mounting. Additionally, a connector/header configuration is also available for display side mounting.

The on-board CMOS has a 100 bit RAM, one bit associated with one LED, each to generate User Defined Characters. In Power Down Mode, quiescent current is <50 µA.

The SCDQ554XX is designed to work with the serial port of most common microprocessors. Data is transferred into the display through the Serial Data Input (DATA), clocked by the Serial Data Clock (SDCLK), and enabled by the Load Input (LOAD).

**FEATURES**

- Four 3.40 mm (0.134") 5 x 5 Dot Matrix Characters in Red, Yellow, Super-red, Green, or High Efficiency Green
- Optimum Display Surface Efficiency (display area to package ratio)
- Square Character Format to Display Data in a Vertical or Horizontal Format
- High Speed Data Input Rate: 5.0 MHz
- ROMless Serial Input, Dot Addressable Display— Ideal for User Defined Characters
- Built-in Decoders, Multiplexers and LED Drivers
- Readable from 1.8 meters (6 Feet)
- Wide Viewing Angle, ± 55° in X-Axis and Y-Axis
- Attributes:
  - 100 Bit RAM for User Defined Characters
  - Eight Dimming Levels
  - Power Down Model (<250 µW)
  - Software Clear Function
  - Lamp Test
  - 3.3 V Capability

**SCDQ5541P/Q/R, SCDQ5542P/Q/R, SCDQ5543P/Q/R, SCDQ5544P/Q/R**

**Ordering Information**

Type	Color of Emission	Character Height mm (inch)	Ordering Code
SCDQ5541P	yellow	3.2 (0.134)	Q68100A1472P
SCDQ5542P	super-red		Q68100A1078P
SCDQ5543P	green		Q68100A1473P
SCDQ5544P	high efficiency green		Q68100A1474P
SCDQ5541Q	yellow	3.2 (0.134)	Q68100A1472Q
SCDQ5542Q	super-red		Q68100A1078Q
SCDQ5543Q	green		Q68100A1473Q
SCDQ5544Q	high efficiency green		Q68100A1474Q
SCDQ5541R	yellow	3.2 (0.134)	Q68100A1472R
SCDQ5542R	super-red		Q68100A1078R
SCDQ5543R	green		Q68100A1473R
SCDQ5544R	high efficiency green		Q68100A1474R

## SCDQ5541P/Q/R, SCDQ5542P/Q/R, SCDQ5543P/Q/R, SCDQ5544P/Q/R

### Maximum Ratings

Operation in excess of any of these conditions may result in permanent damage to this device ( $T_A = 25^\circ\text{C}$ )

Parameter	Symbol	Value	Unit
Operating temperature range	$T_{op}$	- 40 ... + 85	$^\circ\text{C}$
Storage temperature range	$T_{stg}$	- 40 ... + 100	$^\circ\text{C}$
Supply Voltage $V_{CC}$ to GND (non-operating)	$V_{CC}$	-0.5 to + 7.0	V
Input Voltage, any Pin to GND		-0.5 to $V_{CC}$ to 5.5	V
Solder Temperature, Connector only 1.59 mm (0.063") below seating plane, $t < 5.0$ s	$T_S$	260	$^\circ\text{C}$
Relative Humidity (non-condensing)		85	%
ESD (100 pF, 1.5 k $\Omega$ )	$V_Z$	2.0	kV
Input Current		$\pm 100$	mA
Power Dissipation at 85 $^\circ\text{C}$		0.65	W

### Optical Characteristics at 25 $^\circ\text{C}$

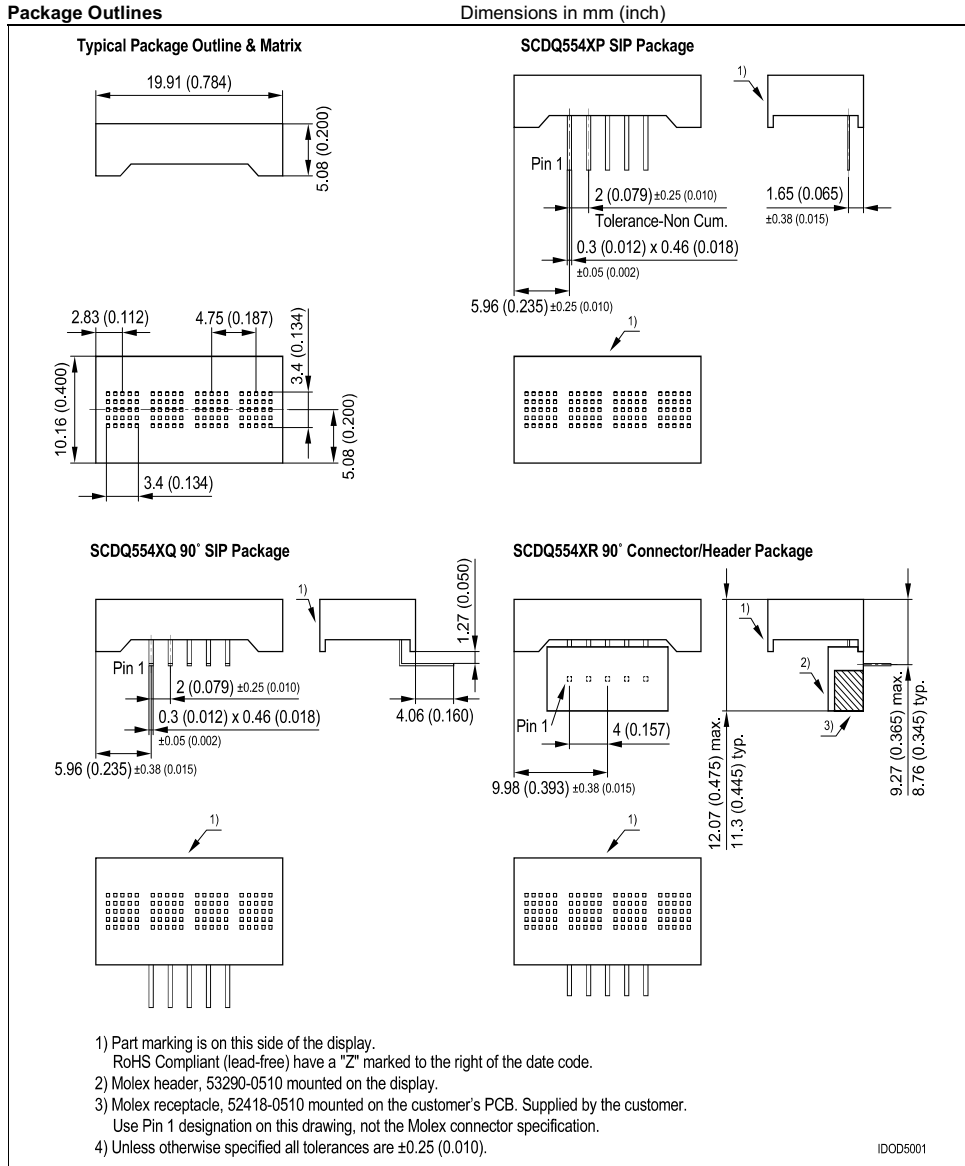
( $V_{CC}=5.0$  V at 100% brightness level, viewing angle: X axis  $\pm 55^\circ$ , Y axis  $\pm 65^\circ$ )

Description	Symbol	Values				Unit
		Yellow SCDQ5541	Super-red SCDQ5542	Green SCDQ5543	High Efficiency Green SCDQ5544	
Luminous Intensity (min.)	$I_{V_{peak}}$	1.8	1.8	1.8	2.1	mcd
Character Average (#displayed all digits) (typ.)		5.4	5.4	5.4	6.4	mcd
Peak Wavelength (typ.)	$\lambda_{peak}$	583	630	565	568	nm
Dominant Wavelength (typ.)	$\lambda_{dom}$	585	620	570	574	nm

Notes:

1. Dot to dot intensity matching at 100% brightness is 1.8:1.
2. Displays are binned for hue at 2.0 nm intervals.
3. Displays within a given intensity category have an intensity matching of 1.5:1 (max.).

SCDQ5541P/Q/R, SCDQ5542P/Q/R, SCDQ5543P/Q/R, SCDQ5544P/Q/R



## SCDQ5541P/Q/R, SCDQ5542P/Q/R, SCDQ5543P/Q/R, SCDQ5544P/Q/R

**Electrical characteristics** (over operating temperature, unless otherwise specified,  $T_A = 25^\circ\text{C}$ )

Parameter	Min.	Typ.	Max.	Units	Conditions
$V_{CC}$	4.5	—	5.5	V	—
$I_{CC}$ (Power Down Mode)	—	—	5.0	$\mu\text{A}$	$V_{CC}=5.0\text{ V}$ , all inputs=0 V or $V_{CC}$
$I_{CC}$ (16 dots on per digit) <sup>1)</sup>	—	100	145	mA	$V_{CC}=5.0\text{ V}$ , “#” displayed in all 4 digits at 100% brightness at $25^\circ\text{C}$
$V_{IH}$	3.5	—	—	V	$V_{CC}=4.5\text{ V to }5.5\text{ V}$
$V_{IL}$	—	—	1.5	V	$V_{CC}=4.5\text{ V to }5.5\text{ V}$
$I_{IH}$	—	—	10	$\mu\text{A}$	$V_{CC}=V_{IN}=5.0\text{ V}$ (all inputs)
$I_{IL}$	—	—	-10	$\mu\text{A}$	$V_{CC}=5.0\text{ V}$ , $V_{IN}=0\text{ V}$ (all inputs)
Internal Mux Frequency	375	768	1086	Hz	—
$\theta_{ja}$	—	65	—	$^\circ\text{C/W}$	—

Notes:

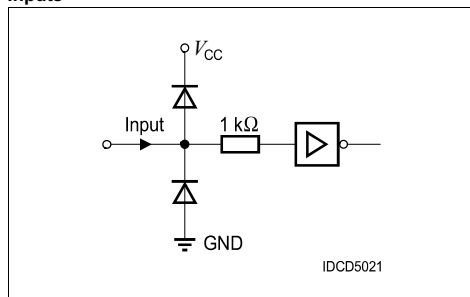
<sup>1)</sup>  $I_{CC}$  is an average value, the Peak current is  $5/3 \times I_{CC}$

<sup>2)</sup> Contact manufacturer for 3.3 volt operation.

### Input Circuit

The input resistor/diode network shown below is used for ESD protection and to eliminate substrate latch-up caused by input voltage over/under shoot.

#### Inputs



### Pinout and Pin Definitions

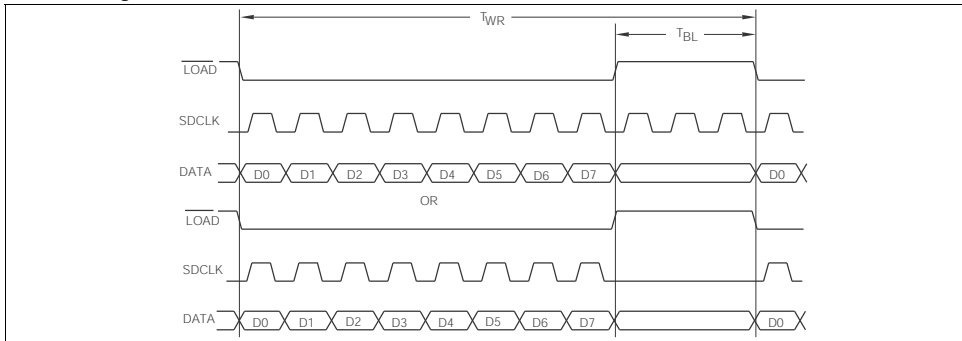
Pin	Function	Definitions
1	LOAD	Low input enables data clocking into 8-bit serial shift register. When LOAD goes high, the contents of 8-bit serial Shift Register will be decoded.
2	SDATA	Serial data input
3	SDCLK	Loads data into the 8-bit serial data register on a low to high transition
4	$V_{CC}$	Power supply
5	GND	Power supply ground

SCDQ5541P/Q/R, SCDQ5542P/Q/R, SCDQ5543P/Q/R, SCDQ5544P/Q/R

Close Up of Data "Write" Cycle



Device Timing



Write Cycle Timing

(over operating temperature range,  $V_{CC}=V_{LL}=4.5\text{ V to }5.5\text{ V}$ )

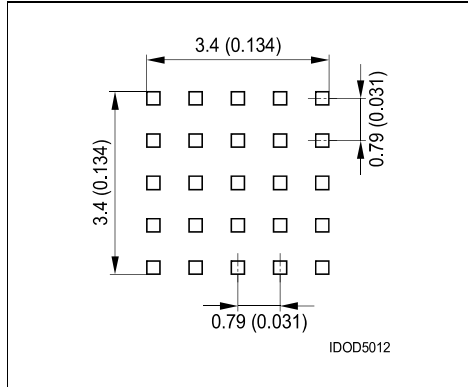
Symbol	Description	Min.	Max.	Units
$T_{LDS}$	Load Setup Time	50	—	ns
$T_{DS}$	Data Setup Time	50	—	ns
$T_{SDCLK}$	Clock Period	200	—	ns
$T_{SDCW}$ (HI or LOW)	Clock Width	70	—	ns
$T_{LDH}$	Load Hold Time	0	—	ns
$T_{DH}$	Data Hold Time	25	—	ns
$T_{WR}$	Total Write Time	2.25	—	$\mu\text{s}$
$T_{BL}$	Time Between Writes	600	—	ns
$T_{RST}$	Reset Active Time	600	—	ns

Notes:

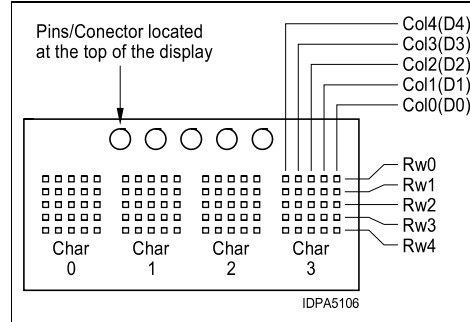
- $T_{WR}$ =Setup Time + 8 Clock Times + Hold Times + Time Between Writes.
- Data is shifted into the display's 8 bit shift register on the positive going edge of the SDCLK.
- Shift register data is evaluated when Load goes high.

## SCDQ5541P/Q/R, SCDQ5542P/Q/R, SCDQ5543P/Q/R, SCDQ5544P/Q/R

### Dot Matrix Format

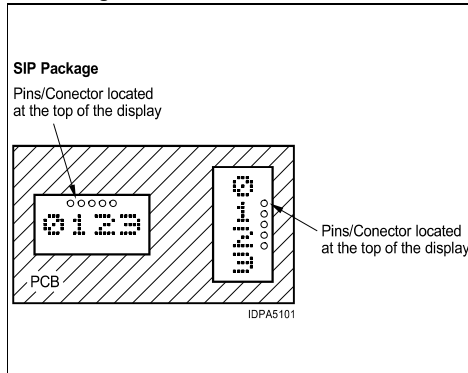


### Character Address, Row, & Column Data Map

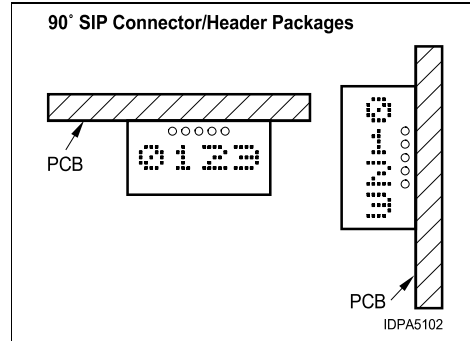


1. Viewed from the LED side of the display with the display in a horizontal position.
2. The row address and column data are typical for all character positions. The LED is on when the data bit = 1 and off when the data bit = 0.

### Suggested Display Mounting SIP Package



### Suggested Display Mounting 90° SIP Connector / Header Packages



### Operation of the SCDQ554XX

The SCDQ554XX display consists of a CMOS IC containing control logic and drivers for four 5 x 5 characters. These components are assembled in a compact plastic package.

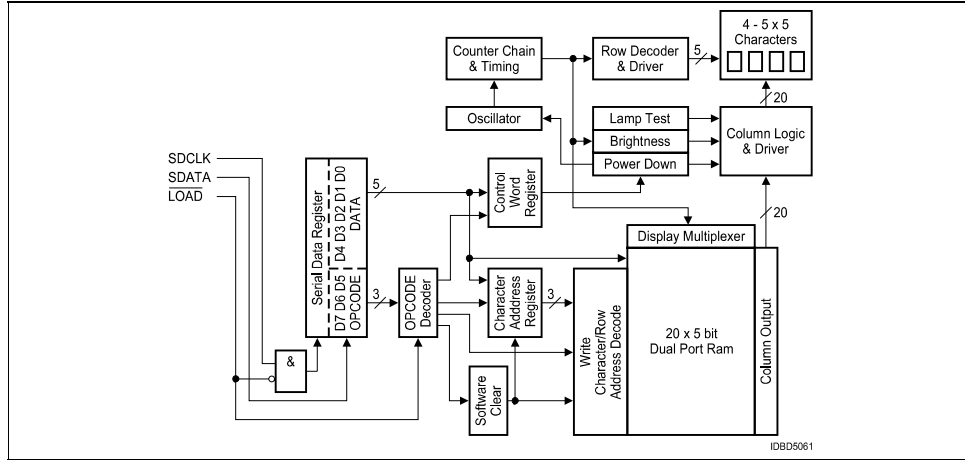
Individual LED dot addressability allows the user great freedom in creating special characters or mini-icons. The User Definable Character Set examples illustrate 200 different character and symbol possibilities. Each example has the hexadecimal code required to display characters in a horizontal or vertical format. See Figures above, Suggested Display Mounting, for the display positioning. Generally, the contacts should be on the right side of the display for the vertical format and on the top of the display for the horizontal format.

The serial data interface provides a highly efficient interconnection between the display and the mother board. The SCDQ554XX requires only three input lines as compared to 15 for an equivalent four character parallel input part.

The on-board CMOS IC is the electronic heart of the display. The IC accepts decoded serial data, which is stored in the internal RAM. Asynchronously the RAM is read by the character multiplexer at a strobe rate that results in a flicker free display. shows the three functional areas of the IC. These include: the input serial data register and control logic, a 100 bits two port RAM, and an internal multiplexer/display driver.

SCDQ5541P/Q/R, SCDQ5542P/Q/R, SCDQ5543P/Q/R, SCDQ5544P/Q/R

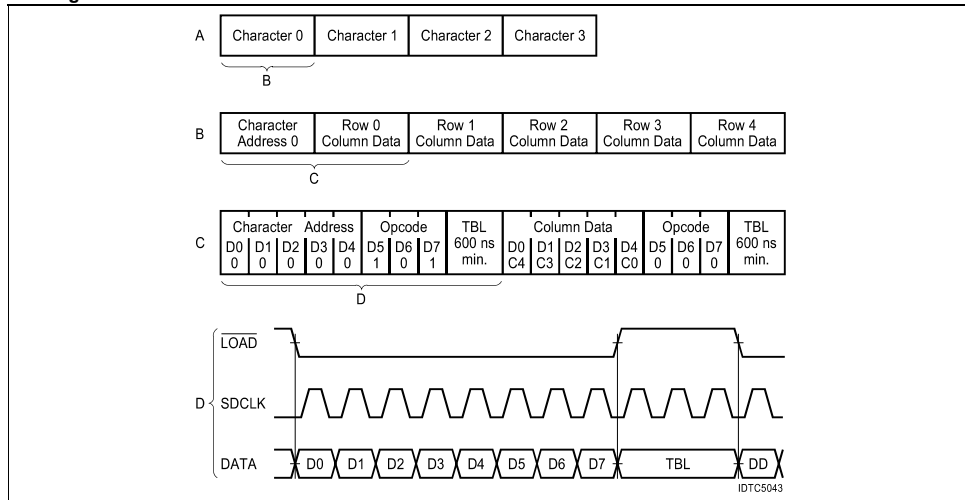
SCDQ Block Diagram



The following explains how to format the serial data to be loaded into the display. The user supplies a string of bit mapped decoded characters. The contents of this string is shown in Figure „Loading Serial Character Data A“ (page 8). Figure „Loading Serial Character Data B“ (page 8) shows that each character consists of six 8 bit words. The first word encodes the display character location and the succeeding five bytes are row data. The row data represents the status (On, Off) of individual column LEDs. Figure „Loading Serial Character Data C“ (page 8) shows that each 8 bit word is formatted to include a three bit Operational Code (OPCODE) defined by bits D7–D5 and five bits (D4–D0) representing Column Data, Character Address, or Control Word Data.

Figure „Loading Serial Character Data D“ (page 8) shows the sequence for loading the bytes of data. Bringing the LOAD line low enables the serial register to accept data. The shift action occurs on the low to high transition of the serial data clock (SDCLK). The least significant bit (D0) is loaded first. After eight clock pulses the LOAD line is brought high. With this transition the OPCODE is decoded. The decoded OPCODE directs D4–D0 to be latched in the Character Address register, stored in the RAM as Column data, or latched in the Control Word register. The control IC requires a minimum 600 ns delay between successive byte loads.

Loading Serial Character Data



## SCDQ5541P/Q/R, SCDQ5542P/Q/R, SCDQ5543P/Q/R, SCDQ5544P/Q/R

The Character Address bits, D4–D0 stored in the Character Address Register and the Column Data Instruction's Row Address bits, D7–D5, direct the Column Data bits, D4–D0 to specific RAM location. See the Instruction Set Table for address and data format. Figure „Writing Character 'D' Example" (page 9) shows the Row Address for the example character "D". See Figure „Character Address, Row, & Column Data Map" (page 7) for the dot positioning (Display contacts are at the top of the display).

Column data is written and read asynchronously from the 200 bit RAM. Once loaded the internal oscillator and character multiplexer reads the data from the RAM. These characters are row strobed with column data as shown in Figure „Row Strobe Example" (page 10). The character strobe rate is determined by the internal IC's \*320 counter.

### Instruction Set

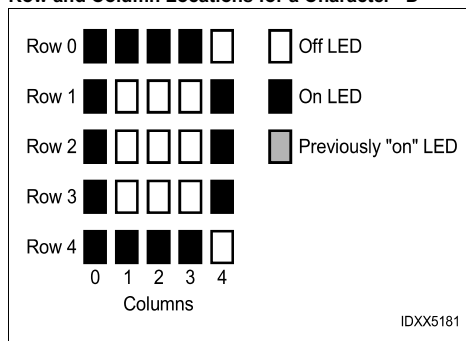
OPERATION	D 7	D 6	D 5	D 4	D 3	D 2	D 1	D 0	HEX	DESCRIPTION
CONTROL WORD	1	1	1	1	L T	B r	B r	B r	F0+X	Select Control Word plus operand See Control Word Format
Power Down Mode	1	1	1	1	1	1	1	1	FF	Power Down Mode–0% Brightness
SFT CLEAR	1	1	0	0	0	0	0	0	C0	Software Clear
ADDRESS REGISTER	1	0	1	0	0	0	0	0	A0	Select Digit Address 0
CHR ADRS 0–3	1	0	1	0	0	0	1	0	A1	Select Digit Address 1
	1	0	1	0	0	0	1	0	A2	Select Digit Address 2
	1	0	1	0	0	0	1	1	A3	Select Digit Address 3
COLUMN DATA	0	0	0	D 4	D 3	D 2	D 1	D 0	00+X	Row 0 D4–D0=Column Data
	0	0	1	D 4	D 3	D 2	D 1	D 0	20+X	Row 1 D4–D0=Column Data
	0	1	0	D 4	D 3	D 2	D 1	D 0	40+X	Row 2 D4–D0=Column Data
	0	1	1	D 4	D 3	D 2	D 1	D 0	60+X	Row 3 D4–D0=Column Data
	1	0	0	D 4	D 3	D 2	D 1	D 0	80+X	Row 4 D4–D0=Column Data

Row data is written to the character address contained in the Character Address Register.

### Writing Character "D" Example

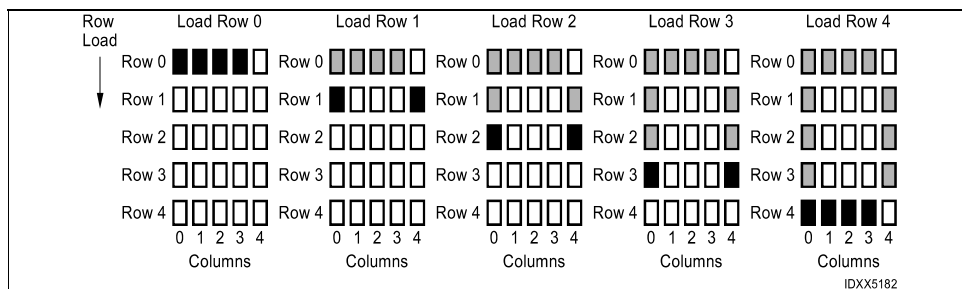
	Op code			Column Data				Hex	
	D7	D6	D5	D4 C0	D3 C1	D2 C2	D1 C3		D0 C4
Row 0	0	0	0	1	1	1	1	0	1E
Row 1	0	0	1	1	0	0	0	1	31
Row 2	0	1	0	1	0	0	0	1	51
Row 3	0	1	1	1	0	0	0	1	71
Row 4	1	0	0	1	1	1	1	0	9E

### Row and Column Locations for a Character "D"



## SCDQ5541P/Q/R, SCDQ5542P/Q/R, SCDQ5543P/Q/R, SCDQ5544P/Q/R

### Row Strobe Example



The user can activate four Control functions. These include: LED Brightness Level, Lamp Test, IC Power Down, or Display Clear. OPCODEs and five bit words are used to initiate these functions. The OPCODEs and Control Words for the Character Address and Loading Column Data are shown in Instruction Set Table.

The user can select seven specific LED brightness levels. These brightness levels (in percentages of full brightness of the display) include: 100% (F0HEX), 53% (F1HEX), 40% (F2HEX), 27% (F3HEX), 20% (F4HEX), 13% (F5HEX), and 6.6% (F6HEX). The brightness levels are controlled by changing the duty factor of the row strobe pulse.

### Display Brightness

Op code D7 D6 D5	Control Word D4 D3 D2 D1 D0	Hex	Operation Level
1 1 1	1 0 0 0 0	F0	100%
1 1 1	1 0 0 0 1	F1	53%
1 1 1	1 0 0 1 0	F2	40%
1 1 1	1 0 0 1 1	F3	27%
1 1 1	1 0 1 0 0	F4	20%
1 1 1	1 0 1 0 1	F5	13%
1 1 1	1 0 1 1 0	F6	6.6%

The SCDQ554X offers a unique Display Power Down feature which reduces  $I_{CC}$  to less than 50  $\mu$ A. When FFHEX is loaded the display is set to 0% brightness and the internal multiplex clock is stopped. When in the Power Down mode data may still be written into the RAM. The display is reactivated by loading a new rightness Level Control Word into the display.

### Power Down

Op code D7 D6 D5	Control Word D4 D3 D2 D1 D0	Hex	Operation Level
1 1 1	1 1 1 1 1	FF	0% brightness

The Lamp Test is enabled by loading F8HEX into the serial shift register. This Control Word sets all of the LEDs to a 53% brightness level. Operation of the Lamp Test has no effect on the RAM and is cleared by loading a Brightness Control Word.

### Lamp Test

Op code D7 D6 D5	Control Word D4 D3 D2 D1 D0	Hex	Operation Level
1 1 1	1 0 B B B		Lamp Test (OFF)
1 1 1	1 1 0 0 0	F8	Lamp Test (ON)

The Software Clear (C0HEX) clears the Address Register and the RAM. The display is blanked and the Character Address Register will be set to Character 0. The internal counter and the Control Word Register are unaffected. The Software Clear will remain active until the next data input cycle is initiated.

### Software Clear

Op code D7 D6 D5	Control Word D4 D3 D2 D1 D0	Hex	Operation Level
1 1 0	0 0 0 0 0	C0	CLEAR

### Electrical & Mechanical Considerations

#### Interconnect Considerations

Optimum product performance can be had when the following electrical and mechanical recommendations are adopted. The SCDQ554XX's IC is constructed in a high speed CMOS process, consequently high speed noise on the SERIAL DATA, SERIAL DATA CLOCK, and LOAD lines may cause incorrect data to be written into the serial shift register. Adhere to transmission line termination procedures when using fast line drivers and long cables (>10 cm).

Good digital grounds (pin 1) and power supply decoupling (pin 2) will insure that  $I_{CC}$  (<350 mA peak) switching currents do not generate localized ground bounce. Therefore it is recommended that each display package use a 0.1  $\mu$ F and 20  $\mu$ F capacitor between  $V_{CC}$  and ground.

## SCDQ5541P/Q/R, SCDQ5542P/Q/R, SCDQ5543P/Q/R, SCDQ5544P/Q/R

### ESD Protection

The input protection structure of the SCDQ554XX provides significant protection against ESD damage. It is capable of withstanding discharges greater than 2.0 kV. Take all the standard precautions, normal for CMOS components. These include properly grounding personnel, tools, tables, and transport carriers that come in contact with unshielded parts. If these conditions are not, or cannot be met, keep the leads of the device shorted together or the parts in anti-static packaging.

### Soldering Considerations

The SCDQ554XX can be hand soldered with SN63 solder using a grounded iron set to 260°C.

Wave soldering is also possible following these conditions: Pre-heat that does not exceed 93°C on the solder side of the PC board or a package surface temperature of 85°C. Water soluble organic acid flux (except carboxylic acid) or resin-based RMA flux without alcohol can be used.

Wave temperature of 245°C ± 5°C with a dwell between 1.5 s to 3.0 s. Exposure to the wave should not exceed temperatures above 260°C for five seconds at 1.59 mm (0.063") below the seating plane. The packages should not be immersed in the wave.

The SCDQ554XR connects to an external connector receptacle which may be soldered before inserting the SCDQ554XR Display. In this way, only the connector is subject to the user's soldering process. The Molex 52418-0510 receptacle called out in the product drawing can be used in solder reflow processes. See Molex for specifications.

### Post Solder Cleaning Procedures

The least offensive cleaning solution is hot D.I. water (60°C) for less than 15 minutes. Addition of mild saponifiers is acceptable. Do not use commercial dishwasher detergents.

For faster cleaning, solvents may be used. Exercise care in choosing solvents as some may chemically attack the nylon package. For further information refer to Appnotes 18 and 19 at [www.osram-os.com](http://www.osram-os.com) or in the current Short Form Catalogue. See Appnote 19, Table 2, "Displays-Group 2".

### Optical Considerations

The 3.12 mm (0.123") high character of the SCDQ554XX gives readability up to five feet. Proper filter selection enhances readability over this distance.

Using filters emphasizes the contrast ratio between a lit LED and the character background. This will increase the discrimination of different characters. The only limitation is cost. Take into consideration the ambient lighting environment for the best cost/benefit ratio for filters.

Incandescent (with almost no green) or fluorescent (with almost no red) lights do not have the flat spectral response of sunlight. Plastic band-pass filters are an inexpensive and effective way to strengthen contrast ratios. The SCDQ5542X is a super-red display and should be matched with long wavelength pass filter in the 570 nm to 590 nm range. The SCDQ5541X/3X/4X should be matched with a yellow-green band-pass filter that peaks at 565 nm. For displays of multiple colors, neutral density grey filters offer the best compromise.

Additional contrast enhancement is gained by shading the displays. Plastic band-pass filters with built-in louvers offer the next step up in contrast improvement. Plastic filters can be improved further with anti-reflective coatings to reduce glare. The trade-off is fuzzy characters. Mounting the filters close to the display reduces

this effect. Take care not to overheat the plastic filter by allowing for proper air flow.

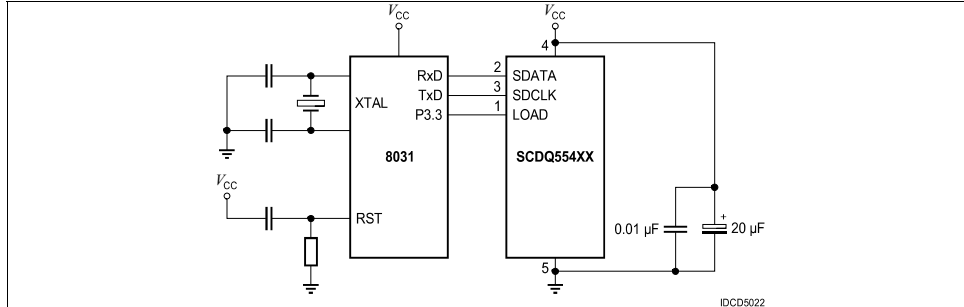
Optimal filter enhancements are gained by using circular polarized, anti-reflective, band-pass filters. The circular polarizing further enhances contrast by reducing the light that travels through the filter and reflects back off the display to less than 1%.

Several filter manufacturers supply quality filter materials. Some of them are: Panelgraphic Corporation, W. Caldwell, NJ; SGL Homa-lite, Wilmington, DE; 3M Company, Visual Products Division, St. Paul, MN; Polaroid Corporation, Polarizer Division, Cambridge, MA; Marks Polarized Corporation, Deer Park, NY; Hoya Optics, Inc., Fremont, CA.

One last note on mounting filters: recessing displays and bezel assemblies is an inexpensive way to provide a shading effect in overhead lighting situations. Several Bezel manufacturers are: R.M.F. Products, Batavia, IL; Nobex Components, Griffith Plastic Corp., Burlingame, CA; Photo Chemical Products of California, Santa Monica, CA; I.E.E.-Atlas, Van Nuys, CA.

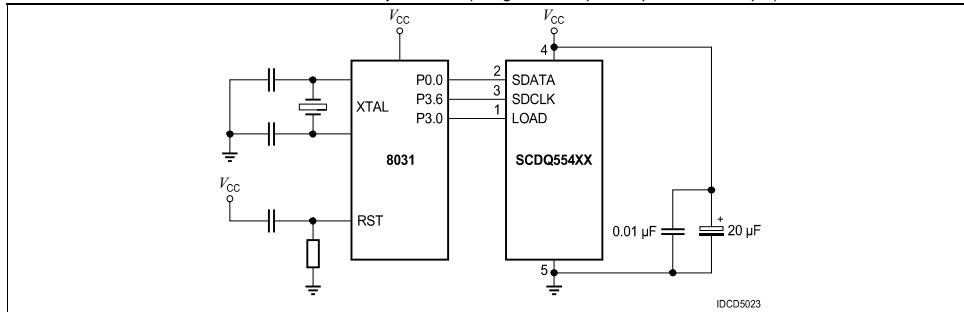
## SCDQ5541P/Q/R, SCDQ5542P/Q/R, SCDQ5543P/Q/R, SCDQ5544P/Q/R

SCDQ554XX Interface to Siemens/Intel 8031 Microprocessor (using serial port in mode 0)



IDCD5022

SCDQ554XX Interface to Siemens/Intel 8031 Microprocessor (using one bit of parallel port as serial input)



IDCD5023

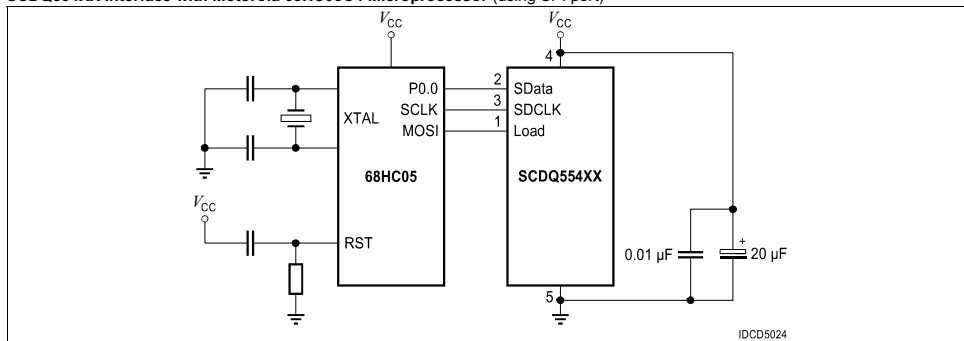
### Microprocessor Interface

The microprocessor interface is through the serial port, SPI port or one out of eight data bits on the eight bit parallel port and also control lines SDCLK and LOAD.

### Power Up Sequence

Upon power up display will come on at random. Thus the display should be reset at power-up. The reset will set the Address Register to Digit 0, User RAM is set to 0 (display blank) the Control Word is set to 0 (100% brightness with Lamp Test off) and the internal counters are reset.

SCDQ554XX Interface with Motorola 68HC05C4 Microprocessor (using SPI port)



IDCD5024

## SCDQ5541P/Q/R, SCDQ5542P/Q/R, SCDQ5543P/Q/R, SCDQ5544P/Q/R

### Loading Data into the Display

Use following procedure to load data into the display:

1. Power up the display.
2. Step A: software clear the display.
3. Step B: Load the Control Word with the desired brightness level.
4. Load the Digit Address into the display.
5. Load display row and column data for the selected digit.
6. Repeat steps 4 and 5 for all digits.

### Data Contents for the Display in a Horizontal Format “↑AB↓”

Step	D7	D6	D5	D4	D3	D2	D1	D0	Function
A	1	1	0	0	0	0	0	0	CLEAR
B (optional)	1	1	1	1	0	B	B	B	BRIGHTNESS SELECT
1	1	0	1	0	0	0	0	0	DIGIT D0 SELECT
2	0	0	0	0	0	1	0	0	ROW 0 D0 (↑)
3	0	0	1	0	1	1	1	0	ROW 1 D0 (↑)
4	0	1	0	1	0	1	0	1	ROW 2 D0 (↑)
5	0	1	1	0	0	1	0	0	ROW 3 D0 (↑)
6	1	0	0	0	0	1	0	0	ROW 4 D0 (↑)
7	1	0	1	0	0	0	0	1	DIGIT D1 SELECT
8	0	0	0	0	0	1	0	0	ROW 0 D1 (A)
9	0	0	1	0	1	0	1	0	ROW 1 D1 (A)
10	0	1	0	1	1	1	1	1	ROW 2 D1 (A)
11	0	1	1	1	0	0	0	1	ROW 3 D1 (A)
12	1	0	0	1	0	0	0	1	ROW 4 D1 (A)
13	1	0	1	0	0	0	1	0	DIGIT D2 SELECT
14	0	0	0	1	1	1	1	0	ROW 0 D2 (B)
15	0	0	1	0	1	0	0	1	ROW 1 D2 (B)
16	0	1	0	0	1	1	1	0	ROW 2 D2 (B)
17	0	1	1	0	1	0	0	1	ROW 3 D2 (B)
18	1	0	0	1	1	1	1	0	ROW 4 D2 (B)
19	1	0	1	0	0	0	1	1	DIGIT D3 SELECT
20	0	0	0	0	0	1	0	0	ROW 0 D3 (↓)
21	0	0	1	0	0	1	0	0	ROW 1 D3 (↓)
22	0	1	0	1	0	1	0	1	ROW 2 D3 (↓)
23	0	1	1	0	1	1	1	0	ROW 3 D3 (↓)
24	1	0	0	0	0	1	0	0	ROW 4 D3 (↓)

## SCDQ5541P/Q/R, SCDQ5542P/Q/R, SCDQ5543P/Q/R, SCDQ5544P/Q/R

### User Definable Character Set Examples\*

#### Upper and lower case alphabets

HEX CODE	HEX CODE	HEX CODE	HEX CODE	HEX CODE	HEX CODE	HEX CODE	HEX CODE	HEX CODE	HEX CODE	HEX CODE	HEX CODE	HEX CODE	HEX CODE	HEX CODE
04 2A 5F 71 91	0E 26 4E 68 8E	10 24 44 5E 7E	1C 34 54 6C 84	20 30 50 60 80	24 34 54 64 84	28 38 58 68 88	34 44 64 74 94	38 48 68 78 98	44 54 74 84 A4	48 58 78 88 A8	54 64 84 94 B4	58 68 88 98 B8	64 74 94 A4 C4	68 78 98 A8 C8
01 21 41 61 81	0C 24 44 64 84	0F 2F 4F 6F 8F	11 31 51 71 91	15 35 55 75 95	19 39 59 79 99	1D 3D 5D 7D 9D	21 41 61 81 A1	25 45 65 85 A5	29 49 69 89 A9	35 55 75 95 B5	39 59 79 99 B9	45 65 85 A5 C5	49 69 89 A9 C9	55 75 95 B5 D5
00 20 40 60 80	03 23 43 63 83	07 27 47 67 87	0B 2B 4B 6B 8B	0D 2D 4D 6D 8D	0E 2E 4E 6E 8E	0F 2F 4F 6F 8F	10 30 50 70 90	14 34 54 74 94	18 38 58 78 98	1C 3C 5C 7C 9C	20 40 60 80 A0	24 44 64 84 A4	28 48 68 88 A8	34 54 74 94 B4
00 20 40 60 80	04 24 44 64 84	08 28 48 68 88	0C 2C 4C 6C 8C	10 30 50 70 90	14 34 54 74 94	18 38 58 78 98	1C 3C 5C 7C 9C	20 40 60 80 A0	24 44 64 84 A4	28 48 68 88 A8	34 54 74 94 B4	38 58 78 98 B8	44 64 84 A4 C4	48 68 88 A8 C8
00 20 40 60 80	08 28 48 68 88	0C 2C 4C 6C 8C	10 30 50 70 90	14 34 54 74 94	18 38 58 78 98	1C 3C 5C 7C 9C	20 40 60 80 A0	24 44 64 84 A4	28 48 68 88 A8	34 54 74 94 B4	38 58 78 98 B8	44 64 84 A4 C4	48 68 88 A8 C8	
00 20 40 60 80	0C 2C 4C 6C 8C	10 30 50 70 90	14 34 54 74 94	18 38 58 78 98	1C 3C 5C 7C 9C	20 40 60 80 A0	24 44 64 84 A4	28 48 68 88 A8	34 54 74 94 B4	38 58 78 98 B8	44 64 84 A4 C4	48 68 88 A8 C8	54 74 94 B4 D4	58 78 98 B8 D8

IDCS5081

#### Numerals and punctuation

HEX CODE	HEX CODE	HEX CODE	HEX CODE	HEX CODE	HEX CODE	HEX CODE	HEX CODE	HEX CODE	HEX CODE	HEX CODE	HEX CODE	HEX CODE	HEX CODE	HEX CODE
8E 73 79 99 0E	04 2C 4C 64 84	1E 21 41 61 81	1E 21 41 61 81	06 2A 4A 62 82	1F 30 50 61 8E	06 28 48 5E 7E	1F 22 42 68 88	0E 31 4E 71 8E	0E 31 4E 71 8E	0E 31 4E 71 8E	0E 31 4E 71 8E	0E 31 4E 71 8E	0E 31 4E 71 8E	0E 31 4E 71 8E
8B 75 95 0C	0A 3F 5F 7F 9F	0F 2F 4F 6F 8F	06 26 46 66 86	19 3A 5A 6B 8B	08 34 54 6D 8D	0C 2C 4C 68 88	02 24 44 64 82	08 24 44 64 88	08 24 44 64 88	08 24 44 64 88	08 24 44 64 88	08 24 44 64 88	08 24 44 64 88	08 24 44 64 88
80 7C 9C 20	04 24 44 64 84	00 20 40 60 80	00 20 40 60 80	00 20 40 60 80	01 21 41 61 81	04 24 44 60 80	0A 2A 4A 60 80	07 27 47 64 87	07 27 47 64 87	07 27 47 64 87	07 27 47 64 87	07 27 47 64 87	07 27 47 64 87	07 27 47 64 87
90 88 22 D1	01 21 41 61 81	0E 2E 4E 6E 8E	0E 2E 4E 6E 8E	00 20 40 60 80	01 21 41 61 81	08 28 48 68 88	08 28 48 68 88	08 28 48 68 88	08 28 48 68 88	08 28 48 68 88	08 28 48 68 88	08 28 48 68 88	08 28 48 68 88	08 28 48 68 88
88 71 91 08	06 26 46 66 86	0C 2C 4C 6C 8C	04 24 44 64 84	04 24 44 64 84	11 2A 4A 64 84	05 25 45 65 85	04 24 44 60 80	08 28 48 68 88	08 28 48 68 88	08 28 48 68 88	08 28 48 68 88	08 28 48 68 88	08 28 48 68 88	08 28 48 68 88

IDCS5082

\*CAUTION: No more than 128 LEDs "on" at one time at 100% brightness.

## SCDQ5541P/Q/R, SCDQ5542P/Q/R, SCDQ5543P/Q/R, SCDQ5544P/Q/R

### User Definable Character Set Examples\* (continued)

#### Scientific notations, ect.

HEX CODE	HEX CODE	HEX CODE	HEX CODE	HEX CODE	HEX CODE	HEX CODE	HEX CODE	HEX CODE	HEX CODE	HEX CODE	HEX CODE	HEX CODE	HEX CODE	HEX CODE
06 0E 1E 2E 3E 4E 5E 6E 7E 8E 9E	04 14 24 34 44 54 64 74 84 94	1F 2F 3F 4F 5F 6F 7F 8F 9F	1F 2F 3F 4F 5F 6F 7F 8F 9F	0E 1E 2E 3E 4E 5E 6E 7E 8E 9E	0D 1D 2D 3D 4D 5D 6D 7D 8D 9D	0C 1C 2C 3C 4C 5C 6C 7C 8C 9C	0E 1E 2E 3E 4E 5E 6E 7E 8E 9E	00 10 20 30 40 50 60 70 80 90	01 11 21 31 41 51 61 71 81 91	01 11 21 31 41 51 61 71 81 91	01 11 21 31 41 51 61 71 81 91	01 11 21 31 41 51 61 71 81 91	01 11 21 31 41 51 61 71 81 91	01 11 21 31 41 51 61 71 81 91
10 20 30 40 50 60 70 80 90	0E 1E 2E 3E 4E 5E 6E 7E 8E 9E	10 20 30 40 50 60 70 80 90	09 19 29 39 49 59 69 79 89 99	01 11 21 31 41 51 61 71 81 91	04 14 24 34 44 54 64 74 84 94	0E 1E 2E 3E 4E 5E 6E 7E 8E 9E	01 11 21 31 41 51 61 71 81 91	01 11 21 31 41 51 61 71 81 91	01 11 21 31 41 51 61 71 81 91	01 11 21 31 41 51 61 71 81 91	01 11 21 31 41 51 61 71 81 91	01 11 21 31 41 51 61 71 81 91	01 11 21 31 41 51 61 71 81 91	01 11 21 31 41 51 61 71 81 91
1F 2F 3F 4F 5F 6F 7F 8F 9F	18 28 38 48 58 68 78 88 98	1C 2C 3C 4C 5C 6C 7C 8C 9C	12 22 32 42 52 62 72 82 92	06 16 26 36 46 56 66 76 86 96	07 17 27 37 47 57 67 77 87 97	1C 2C 3C 4C 5C 6C 7C 8C 9C	0F 1F 2F 3F 4F 5F 6F 7F 8F 9F	04 14 24 34 44 54 64 74 84 94	00 10 20 30 40 50 60 70 80 90	04 14 24 34 44 54 64 74 84 94	04 14 24 34 44 54 64 74 84 94	04 14 24 34 44 54 64 74 84 94	04 14 24 34 44 54 64 74 84 94	04 14 24 34 44 54 64 74 84 94
00 10 20 30 40 50 60 70 80 90	00 10 20 30 40 50 60 70 80 90	0E 1E 2E 3E 4E 5E 6E 7E 8E 9E	04 14 24 34 44 54 64 74 84 94	04 14 24 34 44 54 64 74 84 94	0E 1E 2E 3E 4E 5E 6E 7E 8E 9E	00 10 20 30 40 50 60 70 80 90	04 14 24 34 44 54 64 74 84 94	04 14 24 34 44 54 64 74 84 94	04 14 24 34 44 54 64 74 84 94	04 14 24 34 44 54 64 74 84 94	04 14 24 34 44 54 64 74 84 94	04 14 24 34 44 54 64 74 84 94	04 14 24 34 44 54 64 74 84 94	04 14 24 34 44 54 64 74 84 94
04 14 24 34 44 54 64 74 84 94	04 14 24 34 44 54 64 74 84 94	1F 2F 3F 4F 5F 6F 7F 8F 9F	08 18 28 38 48 58 68 78 88 98	0A 1A 2A 3A 4A 5A 6A 7A 8A 9A	15 25 35 45 55 65 75 85 95	1F 2F 3F 4F 5F 6F 7F 8F 9F	00 10 20 30 40 50 60 70 80 90	0E 1E 2E 3E 4E 5E 6E 7E 8E 9E	0E 1E 2E 3E 4E 5E 6E 7E 8E 9E	0E 1E 2E 3E 4E 5E 6E 7E 8E 9E	0E 1E 2E 3E 4E 5E 6E 7E 8E 9E	0E 1E 2E 3E 4E 5E 6E 7E 8E 9E	0E 1E 2E 3E 4E 5E 6E 7E 8E 9E	0E 1E 2E 3E 4E 5E 6E 7E 8E 9E
00 10 20 30 40 50 60 70 80 90	00 10 20 30 40 50 60 70 80 90	00 10 20 30 40 50 60 70 80 90	00 10 20 30 40 50 60 70 80 90	00 10 20 30 40 50 60 70 80 90	00 10 20 30 40 50 60 70 80 90	00 10 20 30 40 50 60 70 80 90	00 10 20 30 40 50 60 70 80 90	00 10 20 30 40 50 60 70 80 90	00 10 20 30 40 50 60 70 80 90	00 10 20 30 40 50 60 70 80 90	00 10 20 30 40 50 60 70 80 90	00 10 20 30 40 50 60 70 80 90	00 10 20 30 40 50 60 70 80 90	00 10 20 30 40 50 60 70 80 90

IDCS5083

#### Foreign characters

HEX CODE	HEX CODE	HEX CODE	HEX CODE	HEX CODE	HEX CODE	HEX CODE	HEX CODE	HEX CODE	HEX CODE	HEX CODE	HEX CODE	HEX CODE	HEX CODE	HEX CODE
1E 2E 3E 4E 5E 6E 7E 8E 9E	1E 2E 3E 4E 5E 6E 7E 8E 9E	01 11 21 31 41 51 61 71 81 91	04 14 24 34 44 54 64 74 84 94	08 18 28 38 48 58 68 78 88 98	09 19 29 39 49 59 69 79 89 99	0F 1F 2F 3F 4F 5F 6F 7F 8F 9F	0A 1A 2A 3A 4A 5A 6A 7A 8A 9A	19 29 39 49 59 69 79 89 99	0F 1F 2F 3F 4F 5F 6F 7F 8F 9F	01 11 21 31 41 51 61 71 81 91	01 11 21 31 41 51 61 71 81 91	01 11 21 31 41 51 61 71 81 91	01 11 21 31 41 51 61 71 81 91	01 11 21 31 41 51 61 71 81 91
08 18 28 38 48 58 68 78 88 98	04 14 24 34 44 54 64 74 84 94	0F 1F 2F 3F 4F 5F 6F 7F 8F 9F	08 18 28 38 48 58 68 78 88 98	04 14 24 34 44 54 64 74 84 94	0E 1E 2E 3E 4E 5E 6E 7E 8E 9E	1F 2F 3F 4F 5F 6F 7F 8F 9F	04 14 24 34 44 54 64 74 84 94	04 14 24 34 44 54 64 74 84 94	04 14 24 34 44 54 64 74 84 94	04 14 24 34 44 54 64 74 84 94	04 14 24 34 44 54 64 74 84 94	04 14 24 34 44 54 64 74 84 94	04 14 24 34 44 54 64 74 84 94	04 14 24 34 44 54 64 74 84 94
0E 1E 2E 3E 4E 5E 6E 7E 8E 9E	0E 1E 2E 3E 4E 5E 6E 7E 8E 9E	0E 1E 2E 3E 4E 5E 6E 7E 8E 9E	04 14 24 34 44 54 64 74 84 94	04 14 24 34 44 54 64 74 84 94	01 11 21 31 41 51 61 71 81 91	1F 2F 3F 4F 5F 6F 7F 8F 9F	04 14 24 34 44 54 64 74 84 94	04 14 24 34 44 54 64 74 84 94	04 14 24 34 44 54 64 74 84 94	04 14 24 34 44 54 64 74 84 94	04 14 24 34 44 54 64 74 84 94	04 14 24 34 44 54 64 74 84 94	04 14 24 34 44 54 64 74 84 94	04 14 24 34 44 54 64 74 84 94
10 20 30 40 50 60 70 80 90	1F 2F 3F 4F 5F 6F 7F 8F 9F	0E 1E 2E 3E 4E 5E 6E 7E 8E 9E	04 14 24 34 44 54 64 74 84 94	04 14 24 34 44 54 64 74 84 94	01 11 21 31 41 51 61 71 81 91	1F 2F 3F 4F 5F 6F 7F 8F 9F	04 14 24 34 44 54 64 74 84 94	04 14 24 34 44 54 64 74 84 94	04 14 24 34 44 54 64 74 84 94	04 14 24 34 44 54 64 74 84 94	04 14 24 34 44 54 64 74 84 94	04 14 24 34 44 54 64 74 84 94	04 14 24 34 44 54 64 74 84 94	04 14 24 34 44 54 64 74 84 94
04 14 24 34 44 54 64 74 84 94	04 14 24 34 44 54 64 74 84 94	1E 2E 3E 4E 5E 6E 7E 8E 9E	0F 1F 2F 3F 4F 5F 6F 7F 8F 9F	0F 1F 2F 3F 4F 5F 6F 7F 8F 9F	0F 1F 2F 3F 4F 5F 6F 7F 8F 9F	0F 1F 2F 3F 4F 5F 6F 7F 8F 9F	0F 1F 2F 3F 4F 5F 6F 7F 8F 9F	0F 1F 2F 3F 4F 5F 6F 7F 8F 9F	0F 1F 2F 3F 4F 5F 6F 7F 8F 9F	0F 1F 2F 3F 4F 5F 6F 7F 8F 9F	0F 1F 2F 3F 4F 5F 6F 7F 8F 9F	0F 1F 2F 3F 4F 5F 6F 7F 8F 9F	0F 1F 2F 3F 4F 5F 6F 7F 8F 9F	0F 1F 2F 3F 4F 5F 6F 7F 8F 9F
0A 1A 2A 3A 4A 5A 6A 7A 8A 9A	02 12 22 32 42 52 62 72 82 92	04 14 24 34 44 54 64 74 84 94	0A 1A 2A 3A 4A 5A 6A 7A 8A 9A	08 18 28 38 48 58 68 78 88 98	08 18 28 38 48 58 68 78 88 98	08 18 28 38 48 58 68 78 88 98	02 12 22 32 42 52 62 72 82 92	04 14 24 34 44 54 64 74 84 94	04 14 24 34 44 54 64 74 84 94	04 14 24 34 44 54 64 74 84 94	04 14 24 34 44 54 64 74 84 94	04 14 24 34 44 54 64 74 84 94	04 14 24 34 44 54 64 74 84 94	04 14 24 34 44 54 64 74 84 94

IDCS5084

\*CAUTION: No more than 128 LEDs "on" at one time at 100% brightness.

## SCDQ5541P/Q/R, SCDQ5542P/Q/R, SCDQ5543P/Q/R, SCDQ5544P/Q/R

Revision History: 2006-05-12

Previous Version: 2006-01-23

Page	Subjects (major changes since last revision)	Date of change
all	Lead free device	2006-01-23

Published by  
OSRAM Opto Semiconductors GmbH  
Wernerwerkstrasse 2, D-93049 Regensburg  
[www.osram-os.com](http://www.osram-os.com)  
© All Rights Reserved.

### Attention please!

The information describes the type of component and shall not be considered as assured characteristics. Terms of delivery and rights to change design reserved. Due to technical requirements components may contain dangerous substances. For information on the types in question please contact our Sales Organization. If printed or downloaded, please find the latest version in the Internet.

### Packing

Please use the recycling operators known to you. We can also help you – get in touch with your nearest sales office. By agreement we will take packing material back, if it is sorted. You must bear the costs of transport. For packing material that is returned to us unsorted or which we are not obliged to accept, we shall have to invoice you for any costs incurred.



**Components used in life-support devices or systems must be expressly authorized for such purpose! Critical components<sup>1)</sup> may only be used in life-support devices or systems<sup>2)</sup> with the express written approval of OSRAM OS.**

<sup>1)</sup> A critical component is a component used in a life-support device or system whose failure can reasonably be expected to cause the failure of that life-support device or system, or to affect its safety or the effectiveness of that device or system.

<sup>2)</sup> Life support devices or systems are intended (a) to be implanted in the human body, or (b) to support and/or maintain and sustain human life. If they fail, it is reasonable to assume that the health and the life of the user may be endangered.

## Looking for pricing, stock, or lifecycle information?

Click below to explore more details on WIN SOURCE:

-  [View SCDQ5541Q on WIN SOURCE](#)
-  [OSRAM Opto Semiconductors Inc. Information](#)

## Optimize Your Supply Chain with WIN SOURCE Solutions

-  Global Sourcing Solution
-  Obsolete Management
-  Cost Control Management
-  Shortage Management
-  Alternative Solution
-  Excess Inventory Management