



**THE DATASHEET OF
ISO1H816GAUMA1**



SN54ABTR2245, SN74ABTR2245 OCTAL TRANSCEIVERS AND LINE/MEMORY DRIVERS WITH 3-STATE OUTPUTS

SCBS680A – MARCH 1997 – REVISED MAY 1997

- Outputs Have Equivalent 25- Ω Series Resistors, So No External Resistors Are Required
- State-of-the-Art EPIC-IIB™ BiCMOS Design Significantly Reduces Power Dissipation
- High-Impedance State During Power Up and Power Down
- Latch-Up Performance Exceeds 500 mA Per JEDEC Standard JESD-17
- ESD Protection Exceeds 2000 V Per MIL-STD-883C, Method 3015; Exceeds 200 V Using Machine Model (C = 200 pF, R = 0)
- Typical V_{OLP} (Output Ground Bounce) < 1 V at $V_{CC} = 5$ V, $T_A = 25^\circ\text{C}$
- Package Options Include Plastic Small-Outline (DW), Shrink Small-Outline (DB), Thin Shrink Small-Outline (PW), and Thin Very Small-Outline (DGV) Packages, Ceramic Chip Carriers (FK), and Plastic (N) and Ceramic (J) DIPs

description

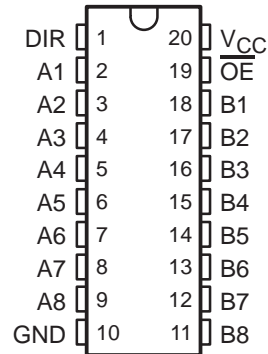
These octal transceivers and line drivers are designed for asynchronous communication between data buses. The devices transmit data from the A bus to the B bus or from the B bus to the A bus, depending on the logic level at the direction-control (DIR) input. The output-enable (\overline{OE}) input can be used to disable the device so the buses are effectively isolated.

Both the A-port and B-port outputs, which are designed to sink up to 12 mA, include equivalent 25- Ω series resistors to reduce overshoot and undershoot.

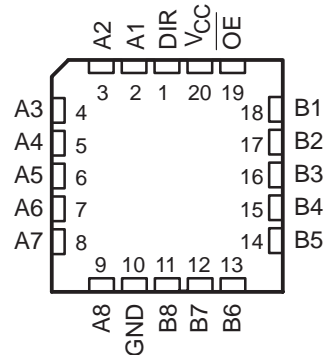
When V_{CC} is between 0 and 2.1 V, the device is in the high-impedance state during power up or power down. However, to ensure the high-impedance state above 2.1 V, \overline{OE} should be tied to V_{CC} through a pullup resistor; the minimum value of the resistor is determined by the current-sinking capability of the driver.

The SN54ABTR2245 is characterized for operation over the full military temperature range of -55°C to 125°C . The SN74ABTR2245 is characterized for operation from -40°C to 85°C .

SN54ABTR2245 . . . J PACKAGE
SN74ABTR2245 . . . DB, DGV, DW, N, OR PW PACKAGE
(TOP VIEW)



SN54ABTR2245 . . . FK PACKAGE
(TOP VIEW)



FUNCTION TABLE

INPUTS		OPERATION
\overline{OE}	DIR	
L	L	B data to A bus
L	H	A data to B bus
H	X	Isolation



Please be aware that an important notice concerning availability, standard warranty, and use in critical applications of Texas Instruments semiconductor products and disclaimers thereto appears at the end of this data sheet.

EPIC-IIB is a trademark of Texas Instruments Incorporated.

UNLESS OTHERWISE NOTED this document contains PRODUCTION DATA information current as of publication date. Products conform to specifications per the terms of Texas Instruments standard warranty. Production processing does not necessarily include testing of all parameters.

 **TEXAS
INSTRUMENTS**

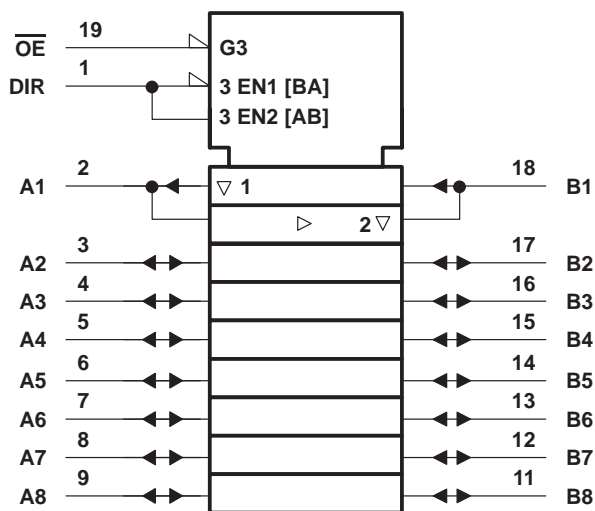
POST OFFICE BOX 655303 • DALLAS, TEXAS 75265

Copyright © 1997, Texas Instruments Incorporated

SN54ABTR2245, SN74ABTR2245 OCTAL TRANSCEIVERS AND LINE/MEMORY DRIVERS WITH 3-STATE OUTPUTS

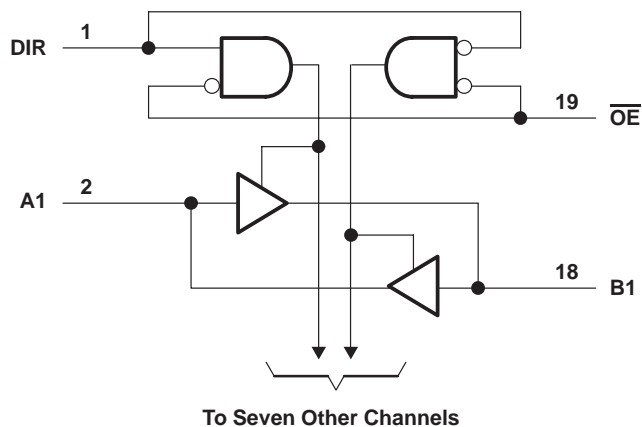
SCBS680A – MARCH 1997 – REVISED MAY 1997

logic symbol†



† This symbol is in accordance with ANSI/IEEE Std 91-1984 and IEC Publication 617-12.

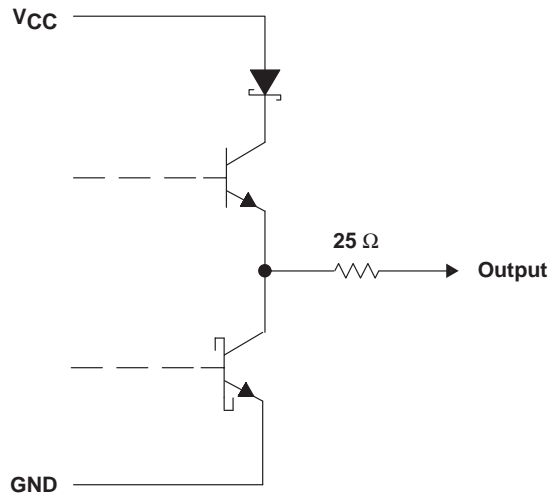
logic diagram (positive logic)



SN54ABTR2245, SN74ABTR2245
OCTAL TRANSCEIVERS AND LINE/MEMORY DRIVERS
WITH 3-STATE OUTPUTS

SCBS680A – MARCH 1997 – REVISED MAY 1997

output schematic



All resistor values shown are nominal.

absolute maximum ratings over operating free-air temperature range (unless otherwise noted)†

Supply voltage range, V_{CC}	-0.5 V to 7 V
Input voltage range, V_I (except I/O ports) (see Note 1)	-0.5 V to 7 V
Voltage range applied to any output in the high or power-off state, V_O	-0.5 V to 5.5 V
Current into any output in the low state, I_O	30 mA
Input clamp current, I_{IK} ($V_I < 0$)	-18 mA
Output clamp current, I_{OK} ($V_O < 0$)	-50 mA
Package thermal impedance, θ_{JA} (see Note 2):	
DB package	115°C/W
DGV package	146°C/W
DW package	97°C/W
N package	67°C/W
PW package	128°C/W
Storage temperature range, T_{stg}	-65°C to 150°C

† Stresses beyond those listed under “absolute maximum ratings” may cause permanent damage to the device. These are stress ratings only, and functional operation of the device at these or any other conditions beyond those indicated under “recommended operating conditions” is not implied. Exposure to absolute-maximum-rated conditions for extended periods may affect device reliability.

- NOTES: 1. The input and output negative-voltage ratings may be exceeded if the input and output clamp-current ratings are observed.
 2. The package thermal impedance is calculated in accordance with EIA/JEDEC Std JESD51, except for through-hole packages, which use a trace length of zero.

SN54ABTR2245, SN74ABTR2245 OCTAL TRANSCEIVERS AND LINE/MEMORY DRIVERS WITH 3-STATE OUTPUTS

SCBS680A – MARCH 1997 – REVISED MAY 1997

recommended operating conditions (see Note 3)

		SN54ABTR2245		SN74ABTR2245		UNIT
		MIN	MAX	MIN	MAX	
V_{CC}	Supply voltage	4.5	5.5	4.5	5.5	V
V_{IH}	High-level input voltage	2		2		V
V_{IL}	Low-level input voltage		0.8		0.8	V
V_I	Input voltage	0	V_{CC}	0	V_{CC}	V
I_{OH}	High-level output current		-12		-12	mA
I_{OL}	Low-level output current		12		12	mA
$\Delta t/\Delta v$	Input transition rise or fall rate	Outputs enabled		5	5	ns/V
$\Delta t/\Delta V_{CC}$	Power-up ramp rate	200		200		$\mu s/V$
T_A	Operating free-air temperature	-55	125	-40	85	$^{\circ}C$

NOTE 3: Unused pins (input or I/O) must be held high or low to prevent them from floating.

SN54ABTR2245, SN74ABTR2245 OCTAL TRANSCEIVERS AND LINE/MEMORY DRIVERS WITH 3-STATE OUTPUTS

SCBS680A – MARCH 1997 – REVISED MAY 1997

electrical characteristics over recommended operating free-air temperature range (unless otherwise noted)

PARAMETER		TEST CONDITIONS	T _A = 25°C			SN54ABTR2245		SN74ABTR2245		UNIT
			MIN	TYP†	MAX	MIN	MAX	MIN	MAX	
V _{IK}		V _{CC} = 4.5 V, I _I = -18 mA	-1.2			-1.2		-1.2		V
V _{OH}		V _{CC} = 4.5 V, I _{OH} = -1 mA	3.35			3.3		3.35		V
		V _{CC} = 5 V, I _{OH} = -1 mA	3.85			3.8		3.85		
		V _{CC} = 4.5 V	I _{OH} = -3 mA				3		3.1	
			I _{OH} = -12 mA	2.6					2.6	
V _{OL}		V _{CC} = 4.5 V	I _{OL} = 8 mA	0.65			0.8		0.65	V
			I _{OL} = 12 mA	0.8					0.8	
V _{hys}			100							mV
I _I	Control inputs	V _{CC} = 0 to 5.5 V, V _I = V _{CC} or GND	±1			±1		±1		μA
	A or B ports	V _{CC} = 2.1 V to 5.5 V, V _I = V _{CC} or GND	±20			±20		±20		
I _{OZH} ‡		V _{CC} = 2.1 V to 5.5 V, V _O = 2.7 V, OE ≥ 2 V	10			10		10		μA
I _{OZL} ‡		V _{CC} = 2.1 V to 5.5 V, V _O = 0.5 V, OE ≥ 2 V	-10			-10		-10		μA
I _{OZPU} §		V _{CC} = 0 to 2.1 V, V _O = 0.5 V to 2.7 V, OE = X	±50			±50		±50		μA
I _{OZPD} §		V _{CC} = 2.1 V to 0, V _O = 0.5 V to 2.7 V, OE = X	±50			±50		±50		μA
I _{off}		V _{CC} = 0, V _I or V _O ≤ 4.5 V	±100					±100		μA
I _{CEX}		V _{CC} = 5.5 V, V _O = 5.5 V	Outputs high		50			50		μA
I _O ¶		V _{CC} = 5.5 V, V _O = 2.5 V	-25	-100	-25	-100	-25	-100	mA	
I _{CC}	A or B ports	V _{CC} = 5.5 V, I _O = 0, V _I = V _{CC} or GND	Outputs high		1	250	250		250	μA
			Outputs low		24	32	32		32	mA
			Outputs disabled		0.5	250	250		250	
ΔI _{CC} #	Data inputs	V _{CC} = 5.5 V, One input at 3.4 V, Other inputs at V _{CC} or GND	Outputs enabled		1.5			1.5	mA	
			Outputs disabled		0.05			0.05		
	Control inputs	V _{CC} = 5.5 V, One input at 3.4 V, Other inputs at V _{CC} or GND	1.5			1.5		1.5		
C _i		V _I = 2.5 V or 0.5 V	3							pF
C _{io}		V _O = 2.5 V or 0.5 V	6							pF

* On products compliant to MIL-PRF-38535, this parameter does not apply.

† All typical values are at V_{CC} = 5 V.

‡ The parameters I_{OZH} and I_{OZL} include the input leakage current.

§ This parameter is characterized but not production tested.

¶ Not more than one output should be tested at a time, and the duration of the test should not exceed one second.

This is the increase in supply current for each input that is at the specified TTL voltage level rather than V_{CC} or GND.

PRODUCT PREVIEW information concerns products in the formative or design phase of development. Characteristic data and other specifications are design goals. Texas Instruments reserves the right to change or discontinue these products without notice.



POST OFFICE BOX 655303 • DALLAS, TEXAS 75265

SN54ABTR2245, SN74ABTR2245
OCTAL TRANSCEIVERS AND LINE/MEMORY DRIVERS
WITH 3-STATE OUTPUTS

SCBS680A – MARCH 1997 – REVISED MAY 1997

switching characteristics over recommended ranges of supply voltage and operating free-air temperature, $C_L = 50$ pF (unless otherwise noted) (see Figure 1)

PARAMETER	FROM (INPUT)	TO (OUTPUT)	$V_{CC} = 5$ V, $T_A = 25^\circ$ C			SN54ABTR2245		SN74ABTR2245		UNIT
			MIN	TYP	MAX	MIN	MAX	MIN	MAX	
t_{PLH}	A or B	B or A	1	2.5	3.4	1	4	1	3.8	ns
t_{PHL}			1	3.2	4.2	1	4.6	1	4.5	
t_{PZH}	\overline{OE}	A or B	1.5	3.6	4.9	1.5	6.3	1.5	6.1	ns
t_{PZL}			1.5	3.9	5.3	1.5	6.6	1.5	6.3	
t_{PHZ}	\overline{OE}	A or B	1.5	3.6	4.7	1.5	5.5	1.5	5.3	ns
t_{PLZ}			1.5	3.3	4.4	1.5	4.9	1.5	4.8	

PRODUCT PREVIEW information concerns products in the formative or design phase of development. Characteristic data and other specifications are design goals. Texas Instruments reserves the right to change or discontinue these products without notice.

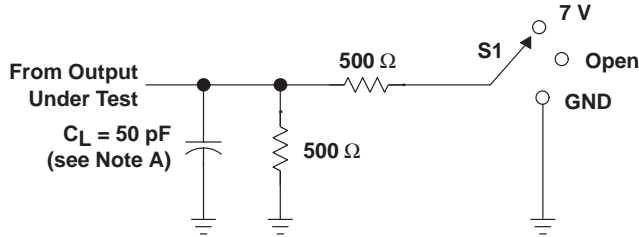


POST OFFICE BOX 655303 • DALLAS, TEXAS 75265

SN54ABTR2245, SN74ABTR2245 OCTAL TRANSCEIVERS AND LINE/MEMORY DRIVERS WITH 3-STATE OUTPUTS

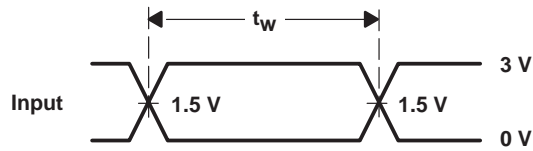
SCBS680A – MARCH 1997 – REVISED MAY 1997

PARAMETER MEASUREMENT INFORMATION

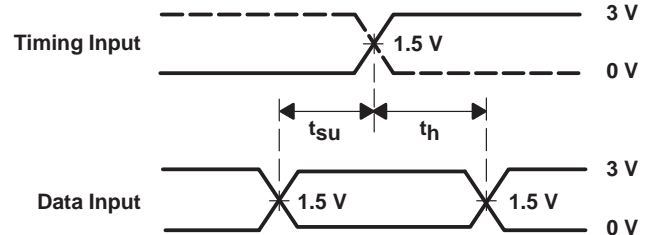


TEST	S1
t_{PLH}/t_{PHL}	Open
t_{PLZ}/t_{PZL}	7 V
t_{PHZ}/t_{PZH}	Open

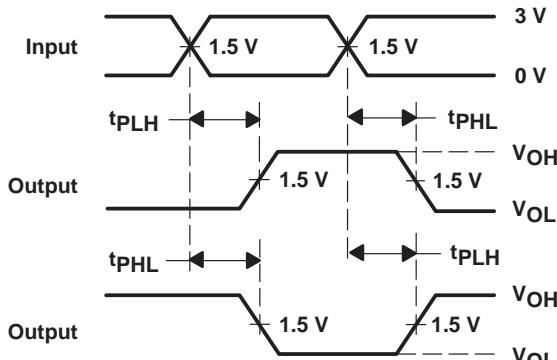
LOAD CIRCUIT



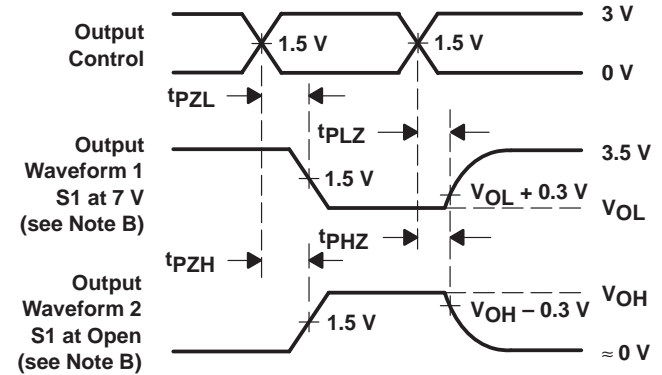
VOLTAGE WAVEFORMS PULSE DURATION



VOLTAGE WAVEFORMS SETUP AND HOLD TIMES



VOLTAGE WAVEFORMS PROPAGATION DELAY TIMES INVERTING AND NONINVERTING OUTPUTS



VOLTAGE WAVEFORMS ENABLE AND DISABLE TIMES LOW- AND HIGH-LEVEL ENABLING

- NOTES:
- C_L includes probe and jig capacitance.
 - Waveform 1 is for an output with internal conditions such that the output is low except when disabled by the output control. Waveform 2 is for an output with internal conditions such that the output is high except when disabled by the output control.
 - All input pulses are supplied by generators having the following characteristics: $PRR \leq 10 \text{ MHz}$, $Z_O = 50 \Omega$, $t_r \leq 2.5 \text{ ns}$, $t_f \leq 2.5 \text{ ns}$.
 - The outputs are measured one at a time with one transition per measurement.

Figure 1. Load Circuit and Voltage Waveforms

TAPE AND REEL INFORMATION

QUADRANT ASSIGNMENTS FOR PIN 1 ORIENTATION IN TAPE


*All dimensions are nominal

Device	Package Type	Package Drawing	Pins	SPQ	Reel Diameter (mm)	Reel Width W1 (mm)	A0 (mm)	B0 (mm)	K0 (mm)	P1 (mm)	W (mm)	Pin1 Quadrant
SN74ABTR2245DWR	SOIC	DW	20	2000	330.0	24.4	10.8	13.3	2.7	12.0	24.0	Q1
SN74ABTR2245PWR	TSSOP	PW	20	2000	330.0	16.4	6.95	7.0	1.4	8.0	16.0	Q1

TAPE AND REEL BOX DIMENSIONS


*All dimensions are nominal

Device	Package Type	Package Drawing	Pins	SPQ	Length (mm)	Width (mm)	Height (mm)
SN74ABTR2245DWR	SOIC	DW	20	2000	367.0	367.0	45.0
SN74ABTR2245PWR	TSSOP	PW	20	2000	356.0	356.0	35.0

TUBE


*All dimensions are nominal

Device	Package Name	Package Type	Pins	SPQ	L (mm)	W (mm)	T (μm)	B (mm)
SN74ABTR2245DW	DW	SOIC	20	25	507	12.83	5080	6.6

IMPORTANT NOTICE AND DISCLAIMER

TI PROVIDES TECHNICAL AND RELIABILITY DATA (INCLUDING DATA SHEETS), DESIGN RESOURCES (INCLUDING REFERENCE DESIGNS), APPLICATION OR OTHER DESIGN ADVICE, WEB TOOLS, SAFETY INFORMATION, AND OTHER RESOURCES "AS IS" AND WITH ALL FAULTS, AND DISCLAIMS ALL WARRANTIES, EXPRESS AND IMPLIED, INCLUDING WITHOUT LIMITATION ANY IMPLIED WARRANTIES OF MERCHANTABILITY, FITNESS FOR A PARTICULAR PURPOSE OR NON-INFRINGEMENT OF THIRD PARTY INTELLECTUAL PROPERTY RIGHTS.

These resources are intended for skilled developers designing with TI products. You are solely responsible for (1) selecting the appropriate TI products for your application, (2) designing, validating and testing your application, and (3) ensuring your application meets applicable standards, and any other safety, security, regulatory or other requirements.

These resources are subject to change without notice. TI grants you permission to use these resources only for development of an application that uses the TI products described in the resource. Other reproduction and display of these resources is prohibited. No license is granted to any other TI intellectual property right or to any third party intellectual property right. TI disclaims responsibility for, and you will fully indemnify TI and its representatives against, any claims, damages, costs, losses, and liabilities arising out of your use of these resources.



TI's products are provided subject to [TI's Terms of Sale](#) or other applicable terms available either on ti.com or provided in conjunction with such TI products. TI's provision of these resources does not expand or otherwise alter TI's applicable warranties or warranty disclaimers for TI products.

TI objects to and rejects any additional or different terms you may have proposed.

Mailing Address: Texas Instruments, Post Office Box 655303, Dallas, Texas 75265
Copyright © 2022, Texas Instruments Incorporated

Looking for pricing, stock, or lifecycle information?

Click below to explore more details on WIN SOURCE:

-  [View ISO1H816GAUMA1 on WIN SOURCE](#)
-  [Infineon Technologies](#) Information

Optimize Your Supply Chain with WIN SOURCE Solutions

-  Global Sourcing Solution
-  Obsolete Management
-  Cost Control Management
-  Shortage Management
-  Alternative Solution
-  Excess Inventory Management