



**THE DATASHEET OF  
SN74LS652DWRE4**



# SN54LS651 THRU SN54LS653 SN74LS651 THRU SN74LS653 OCTAL BUS TRANSCEIVERS AND REGISTERS

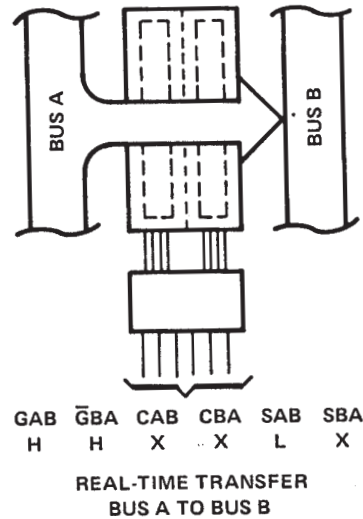
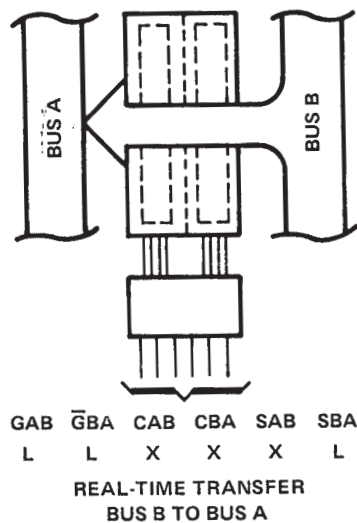
SDLS191A – JANUARY 1981 – REVISED DECEMBER 2000

- Bus Transceivers/Registers
- Independent Registers and Enables for A and B Buses
- Multiplexed Real-Time and Stored Data
- Choice of True and Inverting Data Paths
- Choice of 3-State or Open-Collector Outputs to A Bus
- Dependable Texas Instruments Quality and Reliability

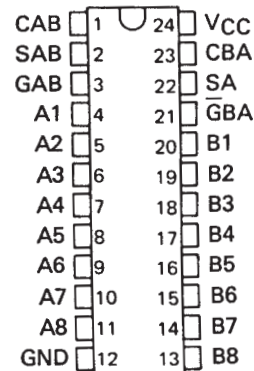
DEVICE	A OUTPUT	B OUTPUT	LOGIC
'LS651	3-State	3-State	Inverting
'LS652	3-State	3-State	True
'LS653	Open-collector	3-State	Inverting

## description

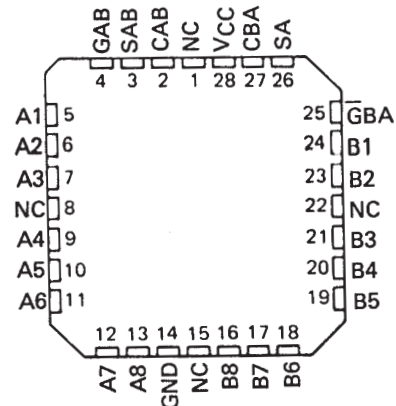
These devices consist of bus transceiver circuits, D-type flip-flops, and control circuitry arranged for multiplexed transmission of data directly from the data bus or from the internal storage registers. Enable GAB and  $\bar{G}BA$  are provided to control the transceiver functions. SAB and SBA control pins are provided to select whether real-time or stored data is transferred. A low input level selects real-time data, and a high selects stored data. The following examples demonstrate the four fundamental bus-management functions that can be performed with the 'LS651, 'LS652, and 'LS653.



SN54LS' . . . JT PACKAGE  
SN74LS' . . . DW OR NT PACKAGE  
(TOP VIEW)



SN54LS' . . . FK PACKAGE  
(TOP VIEW)



NC — No internal connection

PRODUCTION DATA information is current as of publication date. Products conform to specifications per the terms of Texas Instruments standard warranty. Production processing does not necessarily include testing of all parameters.

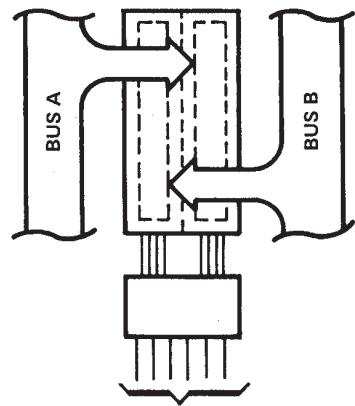


POST OFFICE BOX 655303 • DALLAS, TEXAS 75265

Copyright © 2000, Texas Instruments Incorporated

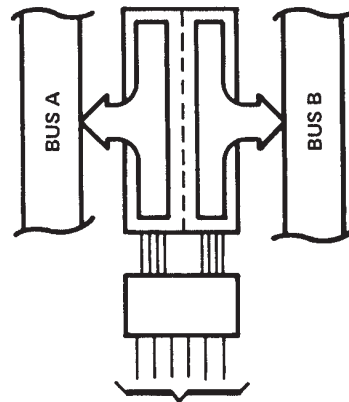
**SN54LS651 THRU SN54LS653**  
**SN74LS651 THRU SN74LS653**  
**OCTAL BUS TRANSCEIVERS AND REGISTERS**

SDLS191A – JANUARY 1981 – REVISED DECEMBER 2000



GAB	$\bar{G}BA$	CAB	CBA	SAB	SBA
X	H	↑	X	X	X
L	X	X	↑	X	X
L	H	↑	↑	X	X

**STORAGE FROM  
A AND/OR B**



GAB	$\bar{G}BA$	CAB	CBA	SAB	SBA
H	L	H or L	H or L	H	H

**TRANSFER  
STORED DATA  
TO A AND/OR B**

Data on the A or B data bus, or both, can be stored in the internal D flip-flop by low-to-high transitions at the appropriate clock pins (CAB or CBA) regardless of the select or enable control pins. When SAB or SBA are in the real-time transfer mode, it is also possible to store data without using the internal D-type flip-flops by simultaneously enabling GAB and  $\bar{G}BA$ . In this configuration each output reinforces its input. Thus, when all other data sources to the two sets of bus lines are at high impedance, each set of bus lines will remain at its last state.

The SN54LS651 through SN54LS653 are characterized for operation over the full military temperature range of  $-55^{\circ}\text{C}$  to  $125^{\circ}\text{C}$ . The SN74LS651 through SN74LS653 are characterized for operation from  $0^{\circ}\text{C}$  to  $70^{\circ}\text{C}$ .

**FUNCTION TABLE**

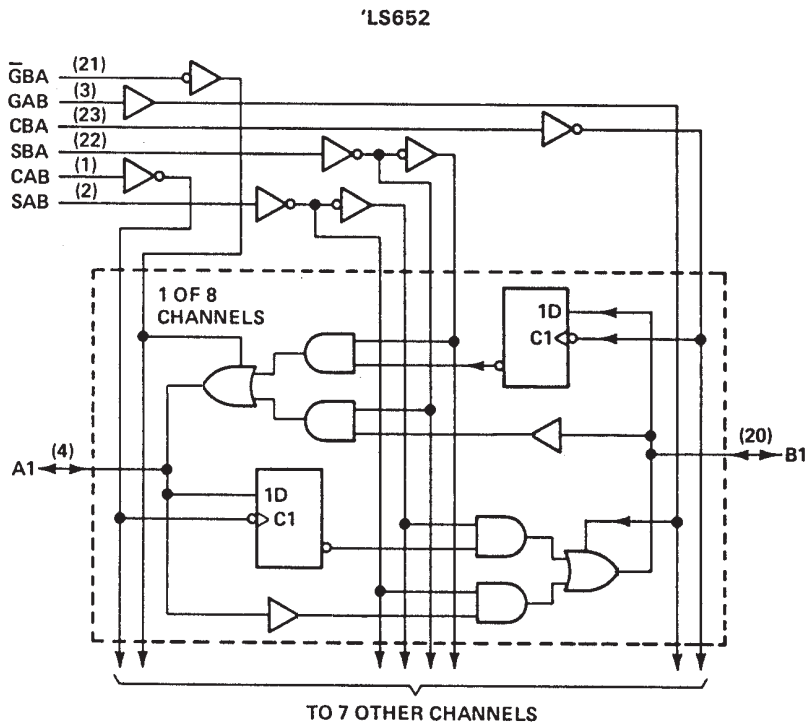
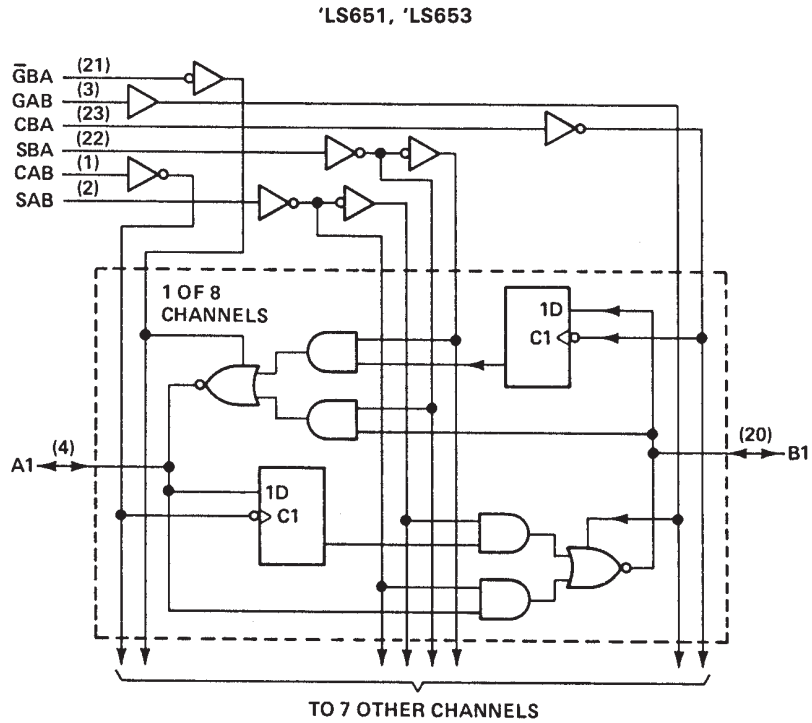
INPUTS						DATA I/O*		OPERATION OR FUNCTION	
GAB	$\bar{G}BA$	CAB	CBA	SAB	SBA	A1 THRU A8	B1 THRU B8	'LS651, 'LS653	'LS652, 'LS654
L	H	H or L	H or L	X	X	Input	Input	Isolation	Isolation
L	H	↑	↑	X	X	Input	Input	Store A and B Data	Store A and B Data
X	H	↑	H or L	X	X	Input	Not specified	Store A, Hold B	Store A, Hold B
H	H	↑	↑	X	X	Input	Output	Store A in both registers	Store A in both registers
L	X	H or L	↑	X	X	Not specified	Input	Hold A, Store B	Hold A, Store B
L	L	↑	↑	X	X	Output	Input	Store B in both registers	Store B in both registers
L	L	X	X	X	L	Output	Input	Real-Time $\bar{B}$ Data to A Bus	Real-Time B Data to A Bus
L	L	X	H or L	X	H	Output	Input	Stored $\bar{B}$ Data to A Bus	Stored B Data to A Bus
H	H	X	X	L	X	Input	Output	Real-Time $\bar{A}$ Data to B Bus	Real-Time A Data to B Bus
H	H	H or L	X	H	X	Input	Output	Stored $\bar{A}$ Data to B Bus	Stored A Data to B Bus
H	L	H or L	H or L	H	H	Output	Output	Stored $\bar{A}$ Data to B Bus and Stored $\bar{B}$ Data to A Bus	Stored A Data to B Bus and Stored B Data to A Bus

\* The data output functions may be enabled or disabled by various signals at the GAB and  $\bar{G}BA$  inputs. Data input functions are always enabled, i.e., data at the bus pins will be stored on every low-to-high transition on the clock inputs.

SN54LS651 THRU SN54LS653  
SN74LS651 THRU SN74LS653  
OCTAL BUS TRANSCEIVERS AND REGISTERS

SDLS191A - JANUARY 1981 - REVISED DECEMBER 2000

logic diagrams (positive logic)

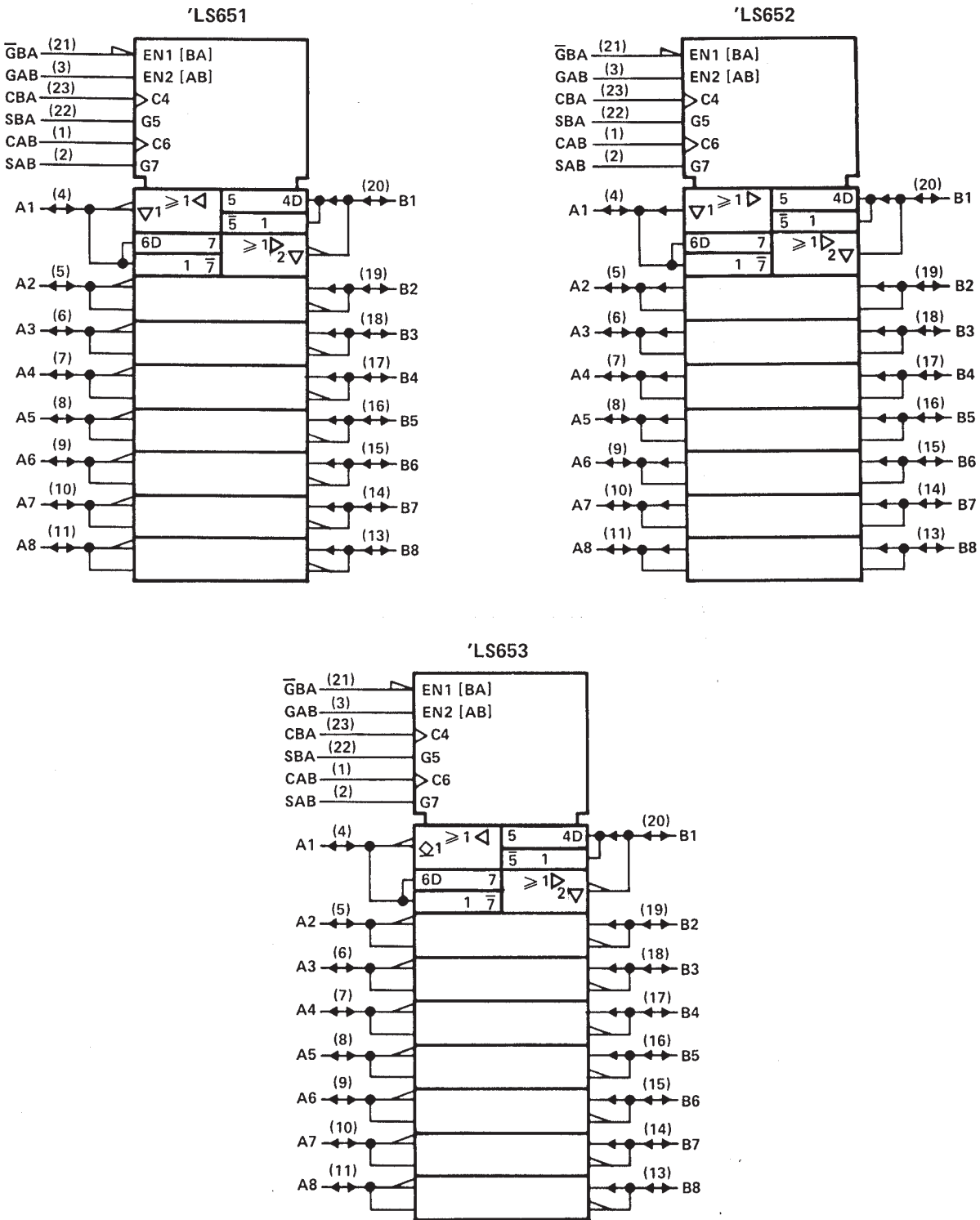


Pin numbers shown are for DW, JT or NT packages.

# SN54LS651 THRU SN54LS653 SN74LS651 THRU SN74LS653 OCTAL BUS TRANSCEIVERS AND REGISTERS

SDLS191A - JANUARY 1981 - REVISED DECEMBER 2000

logic symbols†



†This symbol is in accordance with ANSI/IEEE Std. 91-1984 and IEC Publication 617-12. Pin numbers shown are for DW, JT, or NT packages.



# SN54LS651, SN54LS652, SN74LS651, SN74LS652 OCTAL BUS TRANSCEIVERS AND REGISTERS

SDLS191 – JANUARY 1981 – REVISED MARCH 1988

switching characteristics,  $V_{CC} = 5\text{ V}$ ,  $T_A = 25^\circ\text{C}$

PARAMETER	FROM (INPUT)	TO (OUTPUT)	TEST CONDITIONS	'LS651			'LS652			UNIT
				MIN	TYP	MAX	MIN	TYP	MAX	
$t_{PLH}$	Clock	Bus	$R_L = 667\ \Omega$ , See Note 2	$C_L = 45\ \text{pF}$	14	24	15	25	ns	
$t_{PHL}$					23	35	24	36	ns	
$t_{PLH}$	Bus	Bus			9	18	12	18	ns	
$t_{PHL}$					20	30	13	20	ns	
$t_{PLH}$	Select, with bus input high†	Bus			31	47	23	35	ns	
$t_{PHL}$					22	33	21	32	ns	
$t_{PLH}$	Select, with bus input low†	Bus			23	35	33	50	ns	
$t_{PHL}$					19	30	15	23	ns	
$t_{PZH}$	$\overline{\text{G}}\text{BA}$	A Bus			29	44	30	45	ns	
$t_{PZL}$					40	60	36	54	ns	
$t_{PZH}$	GAB	B Bus	19	29	20	30	ns			
$t_{PZL}$			26	40	25	38	ns			
$t_{PHZ}$	$\overline{\text{G}}\text{BA}$	A Bus	$R_L = 667\ \Omega$ , See Note 2	$C_L = 5\ \text{pF}$	25	38	25	38	ns	
$t_{PLZ}$					19	30	19	30	ns	
$t_{PHZ}$	GAB	B Bus			25	38	25	38	ns	
$t_{PLZ}$					19	30	19	30	ns	

$t_{PLH}$  = propagation delay time, low-to-high-level output.

$t_{PHL}$  = propagation delay time, high-to-low-level output

$t_{PZH}$  = output enable time to high level

$t_{PZL}$  = output enable time to low level

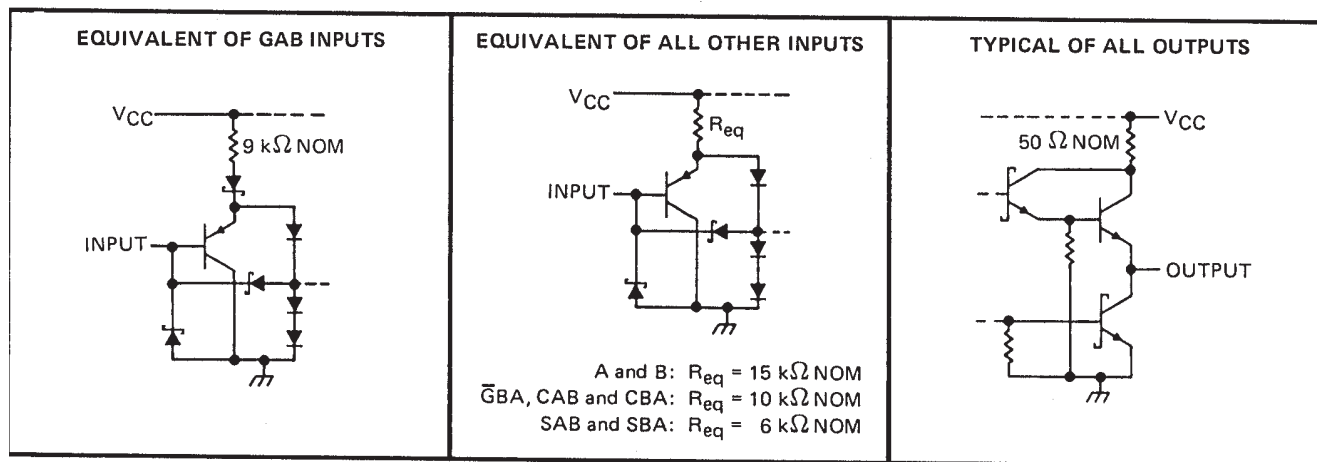
$t_{PHZ}$  = output disable time from high level

$t_{PLZ}$  = output disable time from low level

† These parameters are measured with the internal output state of the storage register opposite to that of the bus input.

NOTE 2: Load circuits and voltage waveforms are shown in Section 1.

## schematics of inputs and outputs



# SN54LS653, SN74LS653 OCTAL BUS TRANSCEIVERS AND REGISTERS

SDLS191 – JANUARY 1981 – REVISED MARCH 1988

### absolute maximum ratings over operating free-air temperature range (unless otherwise noted)

Supply voltage, $V_{CC}$ .....	7 V
Input voltage: All inputs and A I/O ports .....	7 V
B I/O ports .....	5.5 V
Operating free-air temperature range: SN54LS653 .....	–55°C to 125°C
SN74LS653 .....	0°C to 70°C
Storage temperature range .....	–65°C to 150°C

### recommended operating conditions

		SN54LS653			SN74LS653			UNIT		
		MIN	NOM	MAX	MIN	NOM	MAX			
$V_{CC}$	Supply voltage	4.5	5	5.5	4.75	5	5.25	V		
$V_{IH}$	High-level input voltage	2			2			V		
$V_{IL}$	Low-level input voltage	0.7			0.8			V		
$V_{OH}$	High-level output voltage	A ports			5.5			V		
$I_{OH}$	High-level output current	B ports			–12			mA		
$I_{OL}$	Low-level output current				12			mA		
$t_w$	Pulse duration	CBA or CAB high			15			ns		
		CBA or CAB low			30					
		Data high or low			30					
$t_{su}$	Setup time before CAB ↑ or CBA ↑	A or B			15			ns		
$t_h$	Hold time after CAB ↑ or CBA ↑	A or B			0			ns		
$T_A$	Operating free-air temperature	–55			125			0	70	°C

### electrical characteristics over recommended operating free-air temperature range (unless otherwise noted)

PARAMETER		TEST CONDITIONS†		SN54LS653		SN74LS653		UNIT		
				MIN	TYP‡	MAX	MIN		TYP‡	MAX
$V_{IK}$		$V_{CC} = \text{MIN}, I_I = -18 \text{ mA}$		–1.5		–1.5		V		
$V_{OH}$	B ports	$V_{CC} = \text{MIN}, V_{IL} = \text{MAX}$	$V_{IH} = 2 \text{ V}$	$I_{OH} = -3 \text{ mA}$		2.4	3.4	2.4	3.4	V
				$I_{OH} = -12 \text{ mA}$		2				
				$I_{OH} = -15 \text{ mA}$				2		
$I_{OH}$	A ports	$V_{CC} = \text{MIN}, V_{OH} = 5.5 \text{ V}$		0.1		0.1		mA		
$V_{OL}$		$V_{CC} = \text{MIN}, V_{IL} = \text{MAX}$	$V_{IH} = 2 \text{ V}$	$I_{OL} = 12 \text{ mA}$		0.25	0.4	0.25	0.4	V
				$I_{OL} = 24 \text{ mA}$				0.35		
$I_I$	Control inputs	$V_{CC} = \text{MAX}, V_I = 7 \text{ V}$		0.1		0.1		mA		
	A or B ports	$V_{CC} = \text{MAX}, V_I = 5.5 \text{ V}$		0.1		0.1				
$I_{IH}$	Control inputs	$V_{CC} = \text{MAX}, V_I = 2.7 \text{ V}$		20		20		μA		
	A or B ports†			20		20				
$I_{IL}$	Control inputs	$V_{CC} = \text{MAX}, V_I = 0.4 \text{ V}$		–0.4		–0.4		mA		
	A or B ports†			–0.4		–0.4				
$I_{OS}§$	B ports	$V_{CC} = \text{MAX}, V_O = 0 \text{ V}$		–40	–225	–40	–225	mA		
$I_{CC}$	LS653	$V_{CC} = \text{MAX}$	Outputs high	95	145	95	145	mA		
			Outputs low	103	165	103	165			
			Outputs disabled	103	165	103	165			
	LS654		Outputs high	95	145	95	145			
			Outputs low	105	170	105	170			
			Outputs disabled	120	180	120	180			

† For conditions shown as MIN or MAX, use the appropriate value specified under recommended operating conditions.

‡ All typical values are at  $V_{CC} = 5 \text{ V}, T_A = 25^\circ\text{C}$ .

§ Not more than one output should be shorted at a time, and duration of the short-circuit should not exceed one second.

† For I/O ports, the parameters  $I_{IH}$  and  $I_{IL}$  include the off-state output current.



# SN54LS653, SN74LS653 OCTAL BUS TRANSCEIVERS AND REGISTERS

SDLS191 – JANUARY 1981 – REVISED MARCH 1988

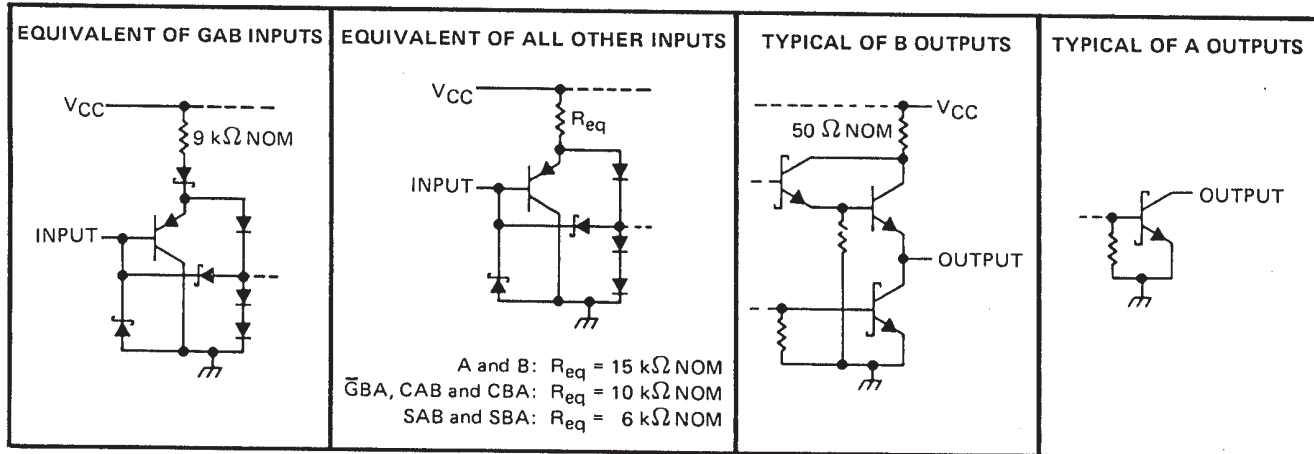
## switching characteristics, $V_{CC} = 5\text{ V}$ , $T_A = 25^\circ\text{C}$

PARAMETER	FROM (INPUT)	TO (OUTPUT)	TEST CONDITIONS	MIN	TYP	MAX	UNIT
$t_{PLH}$	CBA	A Bus	$R_L = 667\ \Omega$ , $C_L = 45\ \text{pF}$ , See Note 2		25	38	ns
$t_{PHL}$					26	39	
$t_{PLH}$	CAB	B Bus			15	23	ns
$t_{PHL}$					24	36	
$t_{PLH}$	A Bus	B Bus			10	18	ns
$t_{PHL}$					20	30	
$t_{PLH}$	B Bus	A Bus			21	32	ns
$t_{PHL}$					16	24	
$t_{PLH}$	SBA <sup>†</sup> (with B high)	A Bus			38	57	ns
$t_{PHL}$					26	39	
$t_{PLH}$	SBA <sup>†</sup> (with B low)	A Bus			34	51	ns
$t_{PHL}$					23	35	
$t_{PLH}$	SAB <sup>†</sup> (with A high)	B Bus			32	48	ns
$t_{PHL}$					22	33	
$t_{PLH}$	SAB <sup>†</sup> (with A low)	B Bus			24	36	ns
$t_{PHL}$					20	30	
$t_{PLH}$	$\bar{G}BA$	A Bus		23	35	ns	
$t_{PHL}$				37	55		
$t_{PZH}$	GAB	B Bus	$R_L = 667\ \Omega$ , $C_L = 5\ \text{pF}$ , See Note 2		19	29	ns
$t_{PZL}$					25	38	
$t_{PHZ}$	GAB	B Bus			26	39	ns
$t_{PLZ}$					19	29	

<sup>†</sup>These parameters are measured with the internal output state of the storage register opposite to that of the bus input.

NOTE 2: Load circuits and voltage waveforms are shown in Section 1.

## schematics of inputs and outputs



**PACKAGING INFORMATION**

Orderable Device	Status (1)	Package Type	Package Drawing	Pins	Package Qty	Eco Plan (2)	Lead finish/ Ball material (6)	MSL Peak Temp (3)	Op Temp (°C)	Device Marking (4/5)	Samples
SN74LS652DW	ACTIVE	SOIC	DW	24	25	RoHS & Green	NIPDAU	Level-1-260C-UNLIM	0 to 70	LS652	<b>Samples</b>

(1) The marketing status values are defined as follows:

**ACTIVE:** Product device recommended for new designs.

**LIFEBUY:** TI has announced that the device will be discontinued, and a lifetime-buy period is in effect.

**NRND:** Not recommended for new designs. Device is in production to support existing customers, but TI does not recommend using this part in a new design.

**PREVIEW:** Device has been announced but is not in production. Samples may or may not be available.

**OBSOLETE:** TI has discontinued the production of the device.

(2) **RoHS:** TI defines "RoHS" to mean semiconductor products that are compliant with the current EU RoHS requirements for all 10 RoHS substances, including the requirement that RoHS substance do not exceed 0.1% by weight in homogeneous materials. Where designed to be soldered at high temperatures, "RoHS" products are suitable for use in specified lead-free processes. TI may reference these types of products as "Pb-Free".

**RoHS Exempt:** TI defines "RoHS Exempt" to mean products that contain lead but are compliant with EU RoHS pursuant to a specific EU RoHS exemption.

**Green:** TI defines "Green" to mean the content of Chlorine (Cl) and Bromine (Br) based flame retardants meet JS709B low halogen requirements of <=1000ppm threshold. Antimony trioxide based flame retardants must also meet the <=1000ppm threshold requirement.

(3) MSL, Peak Temp. - The Moisture Sensitivity Level rating according to the JEDEC industry standard classifications, and peak solder temperature.

(4) There may be additional marking, which relates to the logo, the lot trace code information, or the environmental category on the device.

(5) Multiple Device Markings will be inside parentheses. Only one Device Marking contained in parentheses and separated by a "-" will appear on a device. If a line is indented then it is a continuation of the previous line and the two combined represent the entire Device Marking for that device.

(6) Lead finish/Ball material - Orderable Devices may have multiple material finish options. Finish options are separated by a vertical ruled line. Lead finish/Ball material values may wrap to two lines if the finish value exceeds the maximum column width.

**Important Information and Disclaimer:**The information provided on this page represents TI's knowledge and belief as of the date that it is provided. TI bases its knowledge and belief on information provided by third parties, and makes no representation or warranty as to the accuracy of such information. Efforts are underway to better integrate information from third parties. TI has taken and continues to take reasonable steps to provide representative and accurate information but may not have conducted destructive testing or chemical analysis on incoming materials and chemicals. TI and TI suppliers consider certain information to be proprietary, and thus CAS numbers and other limited information may not be available for release.

In no event shall TI's liability arising out of such information exceed the total purchase price of the TI part(s) at issue in this document sold by TI to Customer on an annual basis.

**TUBE**


\*All dimensions are nominal

Device	Package Name	Package Type	Pins	SPQ	L (mm)	W (mm)	T (μm)	B (mm)
SN74LS652DW	DW	SOIC	24	25	506.98	12.7	4826	6.6

## IMPORTANT NOTICE AND DISCLAIMER

TI PROVIDES TECHNICAL AND RELIABILITY DATA (INCLUDING DATA SHEETS), DESIGN RESOURCES (INCLUDING REFERENCE DESIGNS), APPLICATION OR OTHER DESIGN ADVICE, WEB TOOLS, SAFETY INFORMATION, AND OTHER RESOURCES "AS IS" AND WITH ALL FAULTS, AND DISCLAIMS ALL WARRANTIES, EXPRESS AND IMPLIED, INCLUDING WITHOUT LIMITATION ANY IMPLIED WARRANTIES OF MERCHANTABILITY, FITNESS FOR A PARTICULAR PURPOSE OR NON-INFRINGEMENT OF THIRD PARTY INTELLECTUAL PROPERTY RIGHTS.

These resources are intended for skilled developers designing with TI products. You are solely responsible for (1) selecting the appropriate TI products for your application, (2) designing, validating and testing your application, and (3) ensuring your application meets applicable standards, and any other safety, security, regulatory or other requirements.

These resources are subject to change without notice. TI grants you permission to use these resources only for development of an application that uses the TI products described in the resource. Other reproduction and display of these resources is prohibited. No license is granted to any other TI intellectual property right or to any third party intellectual property right. TI disclaims responsibility for, and you will fully indemnify TI and its representatives against, any claims, damages, costs, losses, and liabilities arising out of your use of these resources.

TI's products are provided subject to [TI's Terms of Sale](#) or other applicable terms available either on [ti.com](http://ti.com) or provided in conjunction with such TI products. TI's provision of these resources does not expand or otherwise alter TI's applicable warranties or warranty disclaimers for TI products.

TI objects to and rejects any additional or different terms you may have proposed.

Mailing Address: Texas Instruments, Post Office Box 655303, Dallas, Texas 75265  
Copyright © 2022, Texas Instruments Incorporated

## Looking for pricing, stock, or lifecycle information?

Click below to explore more details on WIN SOURCE:

 [View SN74LS652DWRE4 on WIN SOURCE](#)

 [Texas Instruments](#) Information

## Optimize Your Supply Chain with WIN SOURCE Solutions

-  Global Sourcing Solution
-  Obsolete Management
-  Cost Control Management
-  Shortage Management
-  Alternative Solution
-  Excess Inventory Management