



**THE DATASHEET OF
SN74ABT833NT**



SN54ABT833, SN74ABT833 8-BIT TO 9-BIT PARITY BUS TRANSCEIVERS

SCBS195C – FEBRUARY 1991 – REVISED JANUARY 1997

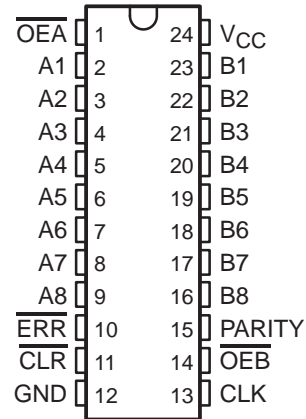
- State-of-the-Art *EPIC-IIB™* BiCMOS Design Significantly Reduces Power Dissipation
- ESD Protection Exceeds 2000 V Per MIL-STD-883, Method 3015; Exceeds 200 V Using Machine Model (C = 200 pF, R = 0)
- Latch-Up Performance Exceeds 500 mA Per JEDEC Standard JESD-17
- Typical V_{OLP} (Output Ground Bounce) < 1 V at $V_{CC} = 5$ V, $T_A = 25^\circ\text{C}$
- High-Drive Outputs (–32-mA I_{OH} , 64-mA I_{OL})
- Parity Error Flag With Parity Generator/Checker
- Register for Storage of the Parity Error Flag
- Package Options Include Plastic Small-Outline (DW) Packages, Ceramic Chip Carriers (FK), and Plastic (NT) and Ceramic (JT) DIPs

description

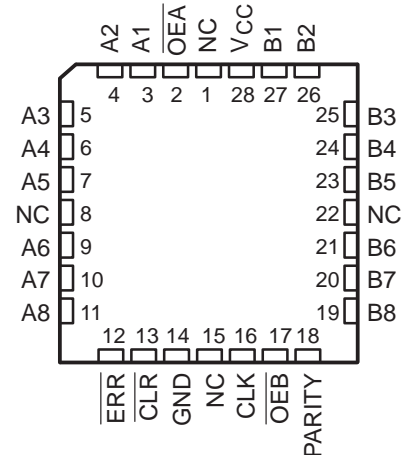
The 'ABT833 8-bit to 9-bit parity transceivers are designed for communication between data buses. When data is transmitted from the A bus to the B bus, a parity bit is generated. When data is transmitted from the B bus to the A bus with its corresponding parity bit, the open-collector parity-error (\overline{ERR}) output indicates whether or not an error in the B data has occurred. The output-enable (\overline{OEA} and \overline{OEB}) inputs can be used to disable the device so that the buses are effectively isolated. The 'ABT833 provide true data at their outputs.

A 9-bit parity generator/checker generates a parity-odd (PARITY) output and monitors the parity of the I/O ports with the \overline{ERR} flag. \overline{ERR} is clocked into the register on the rising edge of the clock (CLK) input. The error flag register is cleared with a low pulse on the clear (\overline{CLR}) input. When both \overline{OEA} and \overline{OEB} are low, data is transferred from the A bus to the B bus and inverted parity is generated. Inverted parity is a forced error condition that gives the designer more system diagnostic capability.

SN54ABT833 . . . JT PACKAGE
SN74ABT833 . . . DW OR NT PACKAGE
(TOP VIEW)



SN54ABT833 . . . FK PACKAGE
(TOP VIEW)



NC – No internal connection



Please be aware that an important notice concerning availability, standard warranty, and use in critical applications of Texas Instruments semiconductor products and disclaimers thereto appears at the end of this data sheet.

EPIC-IIB is a trademark of Texas Instruments Incorporated.

UNLESS OTHERWISE NOTED this document contains PRODUCTION DATA information current as of publication date. Products conform to specifications per the terms of Texas Instruments standard warranty. Production processing does not necessarily include testing of all parameters.



POST OFFICE BOX 655303 • DALLAS, TEXAS 75265

Copyright © 1997, Texas Instruments Incorporated

SN54ABT833, SN74ABT833 8-BIT TO 9-BIT PARITY BUS TRANSCEIVERS

SCBS195C – FEBRUARY 1991 – REVISED JANUARY 1997

description (continued)

To ensure the high-impedance state during power up or power down, \overline{OE} should be tied to V_{CC} through a pullup resistor; the minimum value of the resistor is determined by the current-sinking capability of the driver.

The SN54ABT833 is characterized for operation over the full military temperature range of -55°C to 125°C . The SN74ABT833 is characterized for operation from -40°C to 85°C .

FUNCTION TABLE

INPUTS						OUTPUT AND I/O				FUNCTION
\overline{OEB}	\overline{OEA}	\overline{CLR}	CLK	Ai Σ OF H's	Bi† Σ OF H's	A	B	PARITY	$\overline{ERR}‡$	
L	H	X	X	Odd Even	NA	NA	A	L H	NA	A data to B bus and generate parity
H	L	H	↑	NA	Odd Even	B	NA	NA	H L	B data to A bus and check parity
X	X	L	X	X	X	X	NA	NA	H	Check error-flag register
H	H	H	No↑	X	X	Z	Z	Z	NC	Isolation§
		L	No↑	H						
		H	↑	H						
L	L	X	X	Odd	NA	NA	A	H	NA	A data to B bus and generate inverted parity
				Even				L		

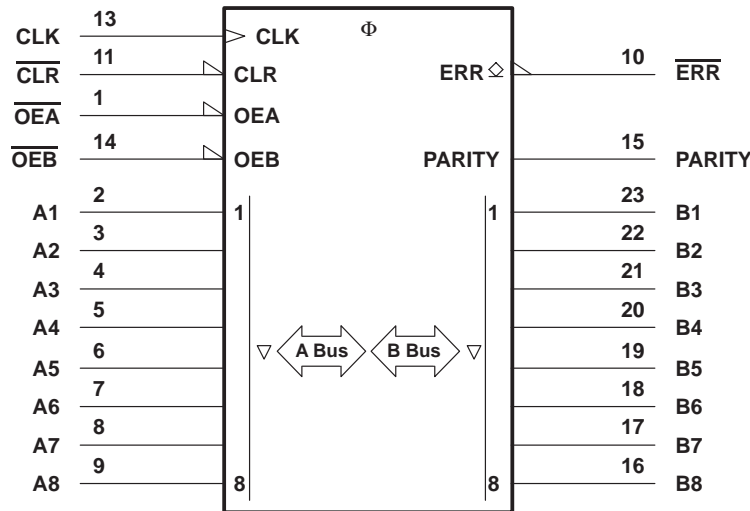
NA = not applicable, NC = no change, X = don't care

† Summation of high-level inputs includes PARITY along with Bi inputs.

‡ Output states shown assume \overline{ERR} was previously high.

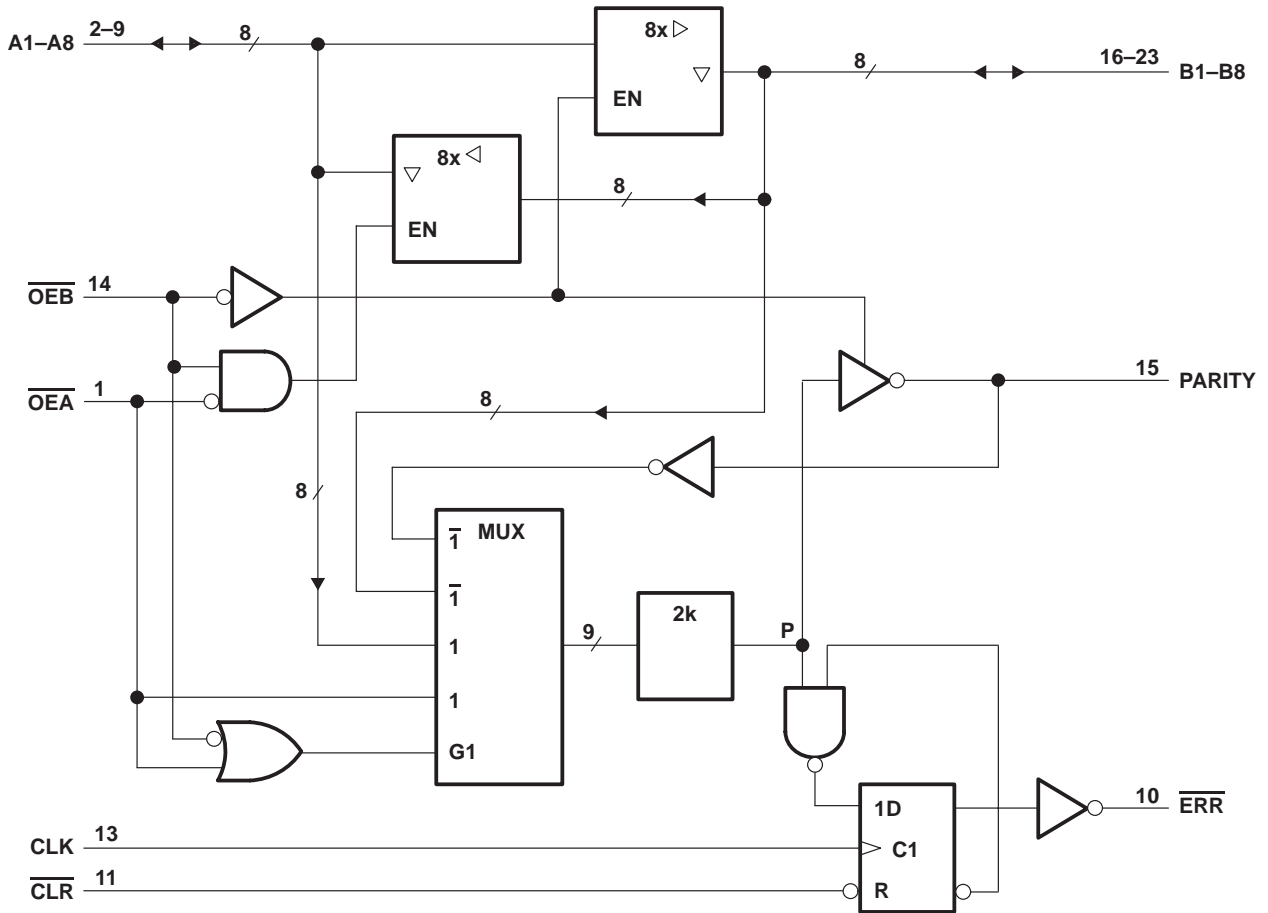
§ In this mode, \overline{ERR} (when clocked) shows inverted parity of the A bus.

logic symbol¶



¶ This symbol is in accordance with ANSI/IEEE Std 91-1984 and IEC Publication 617-12. Pin numbers shown are for the DW, JT, and NT packages.

logic diagram (positive logic)



Pin numbers shown are for the DW, JT, and NT packages.

ERROR-FLAG FUNCTION TABLE

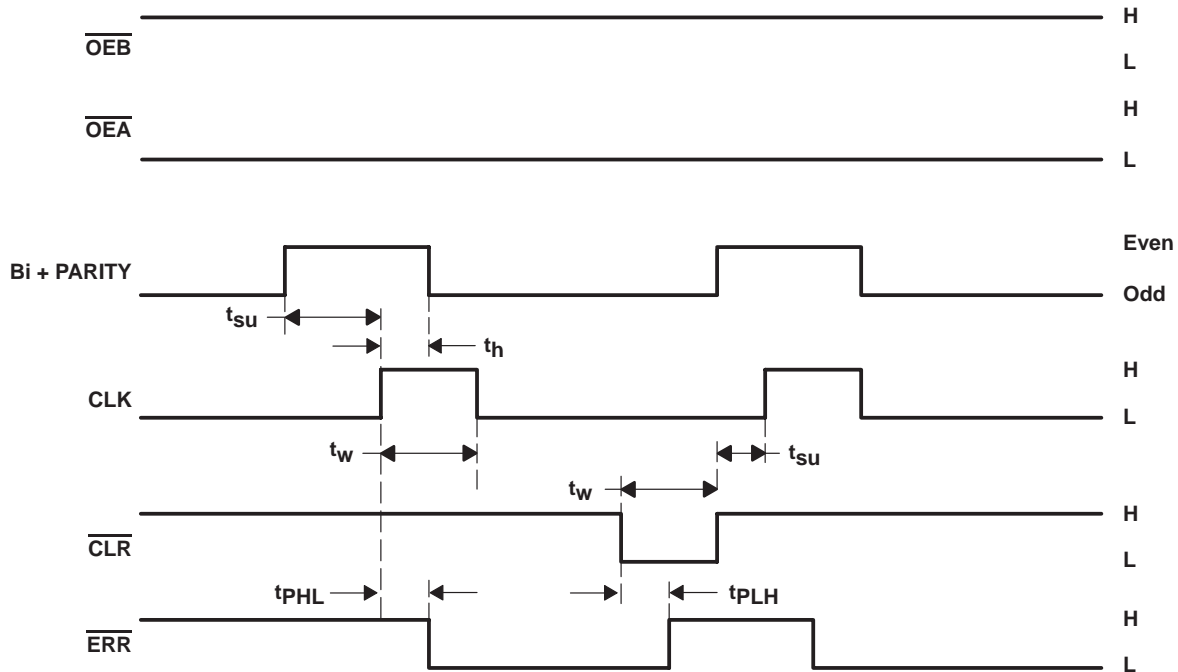
INPUTS		INTERNAL TO DEVICE	OUTPUT PRE-STATE	OUTPUT ERR	FUNCTION
CLR	CLK	POINT P	ERR _{n-1} [†]		
H	↑	H	H	H	Sample
H	↑	X	L	L	
H	↑	L	X	L	
L	X	X	X	H	Clear

[†] The state of ERR before any changes at CLR, CLK, or point P

SN54ABT833, SN74ABT833 8-BIT TO 9-BIT PARITY BUS TRANSCEIVERS

SCBS195C – FEBRUARY 1991 – REVISED JANUARY 1997

error-flag waveforms



absolute maximum ratings over operating free-air temperature range (unless otherwise noted)†

Supply voltage range, V_{CC}	-0.5 V to 7 V
Input voltage range, V_I (except I/O ports) (see Note 1)	-0.5 V to 7 V
Voltage range applied to any output in the high or power-off state, V_O	-0.5 V to 5.5 V
Current into any output in the low state, I_O : SN54ABT833	96 mA
SN74ABT833	128 mA
Input clamp current, I_{IK} ($V_I < 0$)	-18 mA
Output clamp current, I_{OK} ($V_O < 0$)	-50 mA
Package thermal impedance, θ_{JA} (see Note 2): DW package	81°C/W
NT package	67°C/W
Storage temperature range, T_{stg}	-65°C to 150°C

† Stresses beyond those listed under "absolute maximum ratings" may cause permanent damage to the device. These are stress ratings only, and functional operation of the device at these or any other conditions beyond those indicated under "recommended operating conditions" is not implied. Exposure to absolute-maximum-rated conditions for extended periods may affect device reliability.

- NOTES: 1. The input and output negative-voltage ratings may be exceeded if the input and output clamp-current ratings are observed.
2. The package thermal impedance is calculated in accordance with EIA/JEDEC Std JESD51, except for through-hole packages, which use a trace length of zero.



POST OFFICE BOX 655303 • DALLAS, TEXAS 75265

SN54ABT833, SN74ABT833 8-BIT TO 9-BIT PARITY BUS TRANSCEIVERS

SCBS195C – FEBRUARY 1991 – REVISED JANUARY 1997

recommended operating conditions (see Note 3)

		SN54ABT833		SN74ABT833		UNIT
		MIN	MAX	MIN	MAX	
V _{CC}	Supply voltage	4.5	5.5	4.5	5.5	V
V _{IH}	High-level input voltage	2		2		V
V _{IL}	Low-level input voltage		0.8		0.8	V
V _I	Input voltage	0	V _{CC}	0	V _{CC}	V
V _{OH}	High-level output voltage		$\overline{\text{ERR}}$		5.5	V
I _{OH}	High-level output current		Except $\overline{\text{ERR}}$		-24	mA
I _{OL}	Low-level output current				48	mA
$\Delta t/\Delta v$	Input transition rise or fall rate		Outputs enabled		5	ns/V
T _A	Operating free-air temperature	-55	125	-40	85	°C

NOTE 3: Unused pins (input or I/O) must be held high or low to prevent them from floating.

SN54ABT833, SN74ABT833 8-BIT TO 9-BIT PARITY BUS TRANSCEIVERS

SCBS195C – FEBRUARY 1991 – REVISED JANUARY 1997

electrical characteristics over recommended operating free-air temperature range (unless otherwise noted)

PARAMETER	TEST CONDITIONS	T _A = 25°C			SN54ABT833		SN74ABT833		UNIT		
		MIN	TYP†	MAX	MIN	MAX	MIN	MAX			
V _{IK}	V _{CC} = 4.5 V, I _I = -18 mA			-1.2		-1.2		-1.2	V		
V _{OH}	All outputs except ERR	V _{CC} = 4.5 V, I _{OH} = -3 mA		2.5		2.5		2.5	V		
		V _{CC} = 5 V, I _{OH} = -3 mA		3		3		3			
		V _{CC} = 4.5 V	I _{OH} = -24 mA		2		2			2	
V _{OL}	V _{CC} = 4.5 V	I _{OL} = 24 mA				0.55			V		
		I _{OL} = 64 mA				0.55*		0.55			
V _{hys}				100					mV		
I _{OH}	ERR	V _{CC} = 4.5 V, V _{OH} = 5.5 V		20		20		20	μA		
I _I	Control inputs	V _{CC} = 5.5 V, V _I = V _{CC} or GND		±1		±1		±1	μA		
	A or B ports			±100		±100		±100			
I _{IL}	A or B ports	V _{CC} = 0, V _I = GND		-50		-50		-50	μA		
I _{OZH} ‡		V _{CC} = 5.5 V, V _O = 2.7 V		50		50		50	μA		
I _{OZL} ‡		V _{CC} = 5.5 V, V _O = 0.5 V		-50		-50		-50	μA		
I _{off}		V _{CC} = 0, V _I or V _O ≤ 4.5 V		±100				±100	μA		
I _{CEX}		V _{CC} = 5.5 V, V _O = 5.5 V	Outputs high		50		50		μA		
I _O §		V _{CC} = 5.5 V, V _O = 2.5 V		-50	-100	-200¶	-50	-200¶	-50	-200¶	mA
I _{CC}	A or B ports	V _{CC} = 5.5 V, I _O = 0, V _I = V _{CC} or GND	Outputs high		1	250		250		250	μA
			Outputs low		24	38¶		38¶		38¶	mA
			Outputs disabled		0.5	250		250		250	μA
ΔI _{CC} #	Data inputs	V _{CC} = 5.5 V, One input at 3.4 V, Other inputs at V _{CC} or GND	Outputs enabled		1.5		1.5		1.5	mA	
			Outputs disabled		50		50		50	μA	
	Control inputs	V _{CC} = 5.5 V, One input at 3.4 V, Other inputs at V _{CC} or GND		1.5		1.5		1.5	mA		
C _i	Control inputs	V _I = 2.5 V or 0.5 V		4.5					pF		
C _{io}	A or B ports	V _O = 2.5 V or 0.5 V		10.5					pF		

* On products compliant to MIL-PRF-38535, this parameter does not apply.

† All typical values are at V_{CC} = 5 V.

‡ The parameters I_{OZH} and I_{OZL} include the input leakage current.

§ Not more than one output should be tested at a time, and the duration of the test should not exceed one second.

¶ These limits may vary among suppliers.

This is the increase in supply current for each input that is at the specified TTL voltage level rather than V_{CC} or GND.

PRODUCT PREVIEW information concerns products in the formative or design phase of development. Characteristic data and other specifications are design goals. Texas Instruments reserves the right to change or discontinue these products without notice.



POST OFFICE BOX 655303 • DALLAS, TEXAS 75265

SN54ABT833, SN74ABT833 8-BIT TO 9-BIT PARITY BUS TRANSCEIVERS

SCBS195C – FEBRUARY 1991 – REVISED JANUARY 1997

timing requirements over recommended ranges of supply voltage and operating free-air temperature (unless otherwise noted) (see Figure 1)

		$V_{CC} = 5\text{ V},$ $T_A = 25^\circ\text{C}$		SN54ABT833		SN74ABT833		UNIT
		MIN	MAX	MIN	MAX	MIN	MAX	
t_w	Pulse duration	CLK high or low	3	3	3	3	3	ns
		CLR low	3	3	3	3		
t_{su}	Setup time before CLK \uparrow	B or PARITY high	9.8	9.8	9.8	9.8	9.8	ns
		B or PARITY low	8.1	8.1	8.1	8.1		
		CLR	2	2	2	2		
t_h	Hold time after CLK \uparrow	B or PARITY	0	0	0	0	0	ns

switching characteristics over recommended ranges of supply voltage and operating free-air temperature (unless otherwise noted) (see Figure 1)

PARAMETER	FROM (INPUT)	TO (OUTPUT)	$V_{CC} = 5\text{ V},$ $T_A = 25^\circ\text{C}$			SN54ABT833		SN74ABT833		UNIT
			MIN	TYP \dagger	MAX	MIN	MAX	MIN	MAX	
t_{PLH}	A or B	B or A	1.2	2.8	4.8	1.2	5.4	1.2	5.3	ns
t_{PHL}			1	3	4.8 \ddagger	1	5.4	1	5.3 \ddagger	
t_{PLH}	A	PARITY	2.1	5.5	9.5	2.1	11.3	2.1	11.2	ns
t_{PHL}			2.5	5.3	9.7	2.5	11.1	2.5	11	
t_{PZH}	\overline{OE}	PARITY	2.6	6.2	8.5	2.6	10.6	2.6	10.5	ns
t_{PZL}			2.6 \ddagger	5.8	8.6	2.6 \ddagger	10.1	2.6 \ddagger	10	
t_{PLH}	\overline{CLR}	\overline{ERR}	1	3.2	4.8 \ddagger	1	5.3	1	5.2	ns
t_{PHL}	CLK		1.2 \ddagger	2.8	5.7	1.2 \ddagger	6.3	1.2 \ddagger	6.2	
t_{PZH}	\overline{OE}	A, B, or PARITY	1	3.7	5.8 \ddagger	1	6.6	1	6.5 \ddagger	ns
t_{PZL}			1.3 \ddagger	3.8	5.8	1.3 \ddagger	6.6	1.3 \ddagger	6.5 \ddagger	
t_{PHZ}	\overline{OE}	A, B, or PARITY	1.9 \ddagger	4.4	7.3	1.9 \ddagger	8	1.9 \ddagger	7.9	ns
t_{PLZ}			2.2 \ddagger	4.4	7.7	2.2 \ddagger	8.2	2.2 \ddagger	8.1	

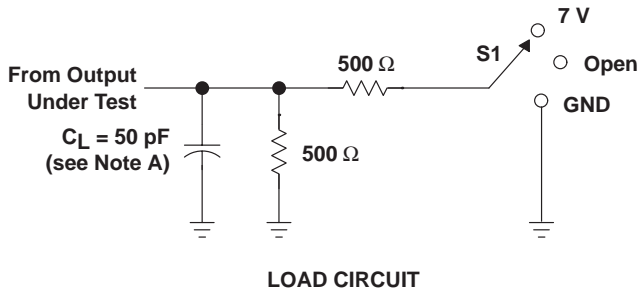
\dagger All typical values are at $V_{CC} = 5\text{ V}$.

\ddagger These limits may vary among suppliers.

SN54ABT833, SN74ABT833 8-BIT TO 9-BIT PARITY BUS TRANSCEIVERS

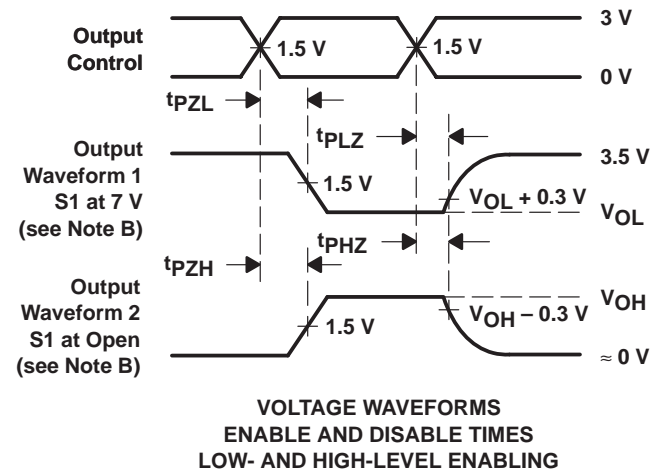
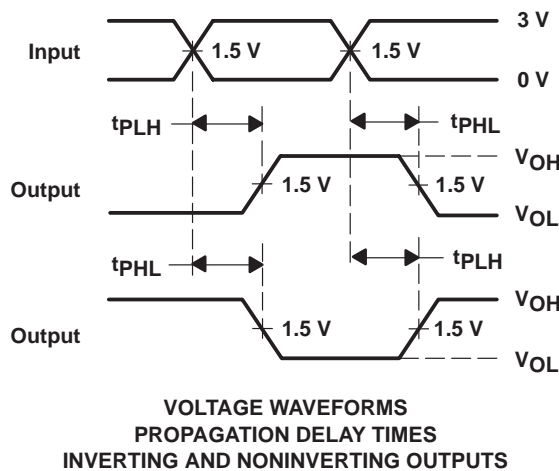
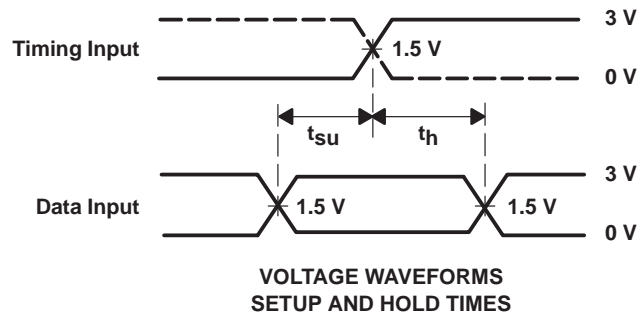
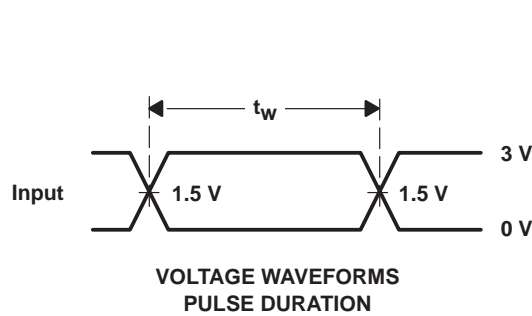
SCBS195C – FEBRUARY 1991 – REVISED JANUARY 1997

PARAMETER MEASUREMENT INFORMATION



TEST	S1
t_{PLH}/t_{PHL}	Open
t_{PLZ}/t_{PZL}	7 V
t_{PHZ}/t_{PZH}	Open

ERR	S1
t_{PHL}	7 V
t_{PLH}	7 V



- NOTES: A. C_L includes probe and jig capacitance.
 B. Waveform 1 is for an output with internal conditions such that the output is low except when disabled by the output control. Waveform 2 is for an output with internal conditions such that the output is high except when disabled by the output control.
 C. All input pulses are supplied by generators having the following characteristics: $PRR \leq 10 \text{ MHz}$, $Z_O = 50 \Omega$, $t_r \leq 2.5 \text{ ns}$, $t_f \leq 2.5 \text{ ns}$
 D. The outputs are measured one at a time with one transition per measurement.

Figure 1. Load Circuit and Voltage Waveforms

PACKAGING INFORMATION

Orderable Device	Status (1)	Package Type	Package Drawing	Pins	Package Qty	Eco Plan (2)	Lead finish/ Ball material (6)	MSL Peak Temp (3)	Op Temp (°C)	Device Marking (4/5)	Samples
SN74ABT833DW	ACTIVE	SOIC	DW	24	25	RoHS & Green	NIPDAU	Level-1-260C-UNLIM	-40 to 85	ABT833	Samples

(1) The marketing status values are defined as follows:

ACTIVE: Product device recommended for new designs.

LIFEBUY: TI has announced that the device will be discontinued, and a lifetime-buy period is in effect.

NRND: Not recommended for new designs. Device is in production to support existing customers, but TI does not recommend using this part in a new design.

PREVIEW: Device has been announced but is not in production. Samples may or may not be available.

OBSELETE: TI has discontinued the production of the device.

(2) **RoHS:** TI defines "RoHS" to mean semiconductor products that are compliant with the current EU RoHS requirements for all 10 RoHS substances, including the requirement that RoHS substance do not exceed 0.1% by weight in homogeneous materials. Where designed to be soldered at high temperatures, "RoHS" products are suitable for use in specified lead-free processes. TI may reference these types of products as "Pb-Free".

RoHS Exempt: TI defines "RoHS Exempt" to mean products that contain lead but are compliant with EU RoHS pursuant to a specific EU RoHS exemption.

Green: TI defines "Green" to mean the content of Chlorine (Cl) and Bromine (Br) based flame retardants meet JS709B low halogen requirements of <=1000ppm threshold. Antimony trioxide based flame retardants must also meet the <=1000ppm threshold requirement.

(3) MSL, Peak Temp. - The Moisture Sensitivity Level rating according to the JEDEC industry standard classifications, and peak solder temperature.

(4) There may be additional marking, which relates to the logo, the lot trace code information, or the environmental category on the device.

(5) Multiple Device Markings will be inside parentheses. Only one Device Marking contained in parentheses and separated by a "-" will appear on a device. If a line is indented then it is a continuation of the previous line and the two combined represent the entire Device Marking for that device.

(6) Lead finish/Ball material - Orderable Devices may have multiple material finish options. Finish options are separated by a vertical ruled line. Lead finish/Ball material values may wrap to two lines if the finish value exceeds the maximum column width.

Important Information and Disclaimer:The information provided on this page represents TI's knowledge and belief as of the date that it is provided. TI bases its knowledge and belief on information provided by third parties, and makes no representation or warranty as to the accuracy of such information. Efforts are underway to better integrate information from third parties. TI has taken and continues to take reasonable steps to provide representative and accurate information but may not have conducted destructive testing or chemical analysis on incoming materials and chemicals. TI and TI suppliers consider certain information to be proprietary, and thus CAS numbers and other limited information may not be available for release.

In no event shall TI's liability arising out of such information exceed the total purchase price of the TI part(s) at issue in this document sold by TI to Customer on an annual basis.

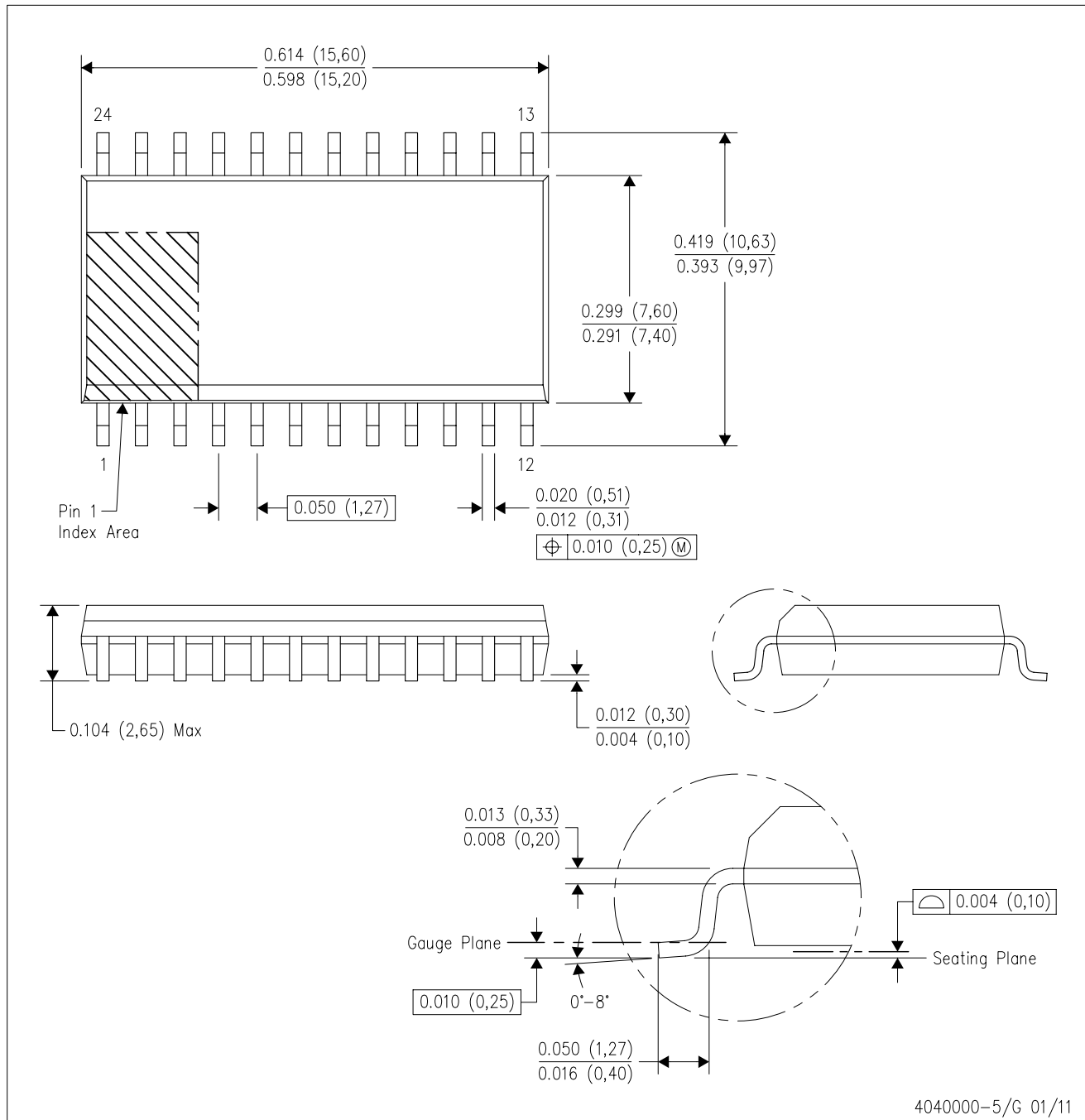
TUBE


*All dimensions are nominal

Device	Package Name	Package Type	Pins	SPQ	L (mm)	W (mm)	T (μm)	B (mm)
SN74ABT833DW	DW	SOIC	24	25	506.98	12.7	4826	6.6

DW (R-PDSO-G24)

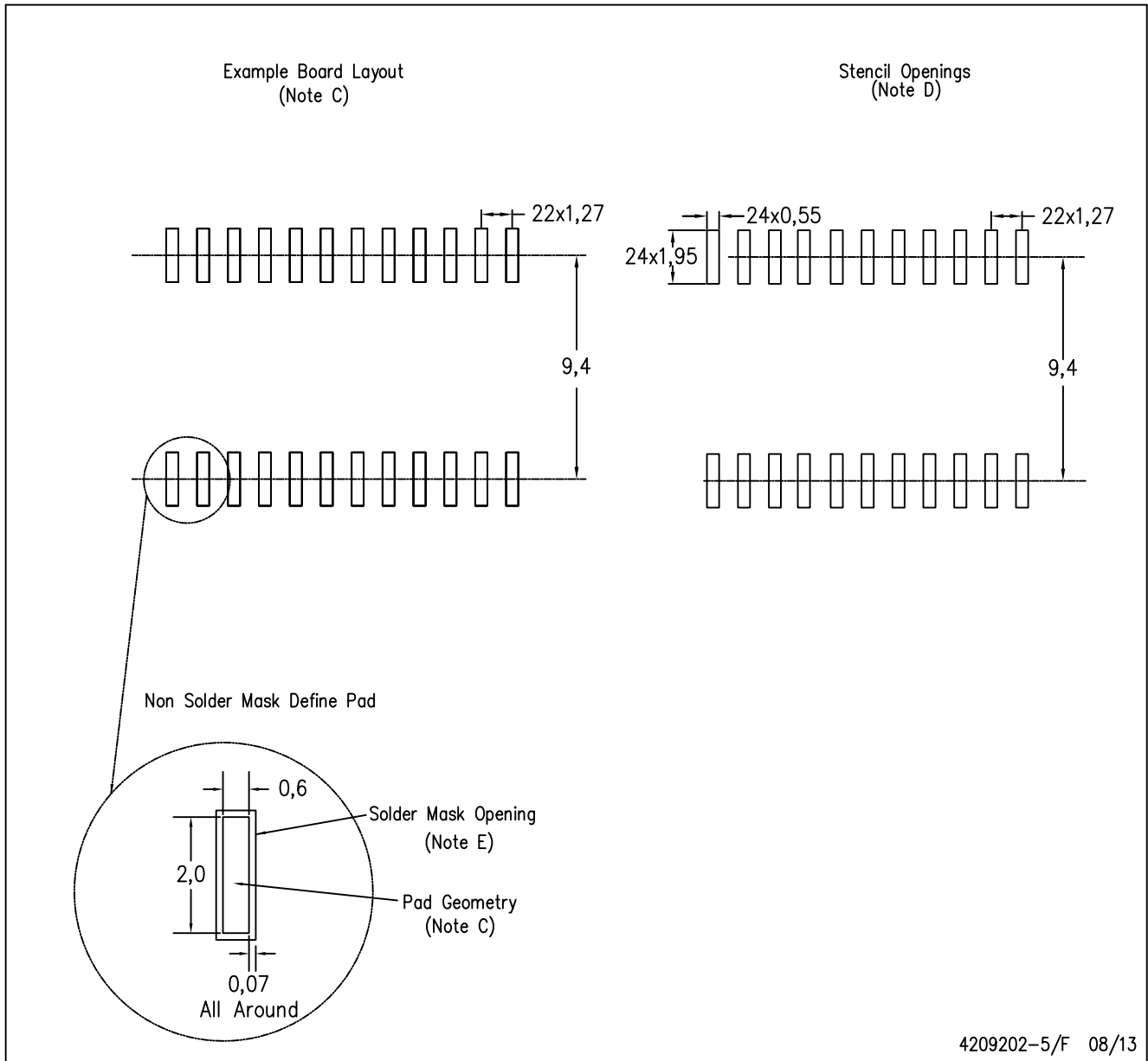
PLASTIC SMALL OUTLINE



- NOTES:
- A. All linear dimensions are in inches (millimeters). Dimensioning and tolerancing per ASME Y14.5M-1994.
 - B. This drawing is subject to change without notice.
 - C. Body dimensions do not include mold flash or protrusion not to exceed 0.006 (0,15).
 - D. Falls within JEDEC MS-013 variation AD.

DW (R-PDSO-G24)

PLASTIC SMALL OUTLINE



- NOTES:
- A. All linear dimensions are in millimeters.
 - B. This drawing is subject to change without notice.
 - C. Refer to IPC7351 for alternate board design.
 - D. Laser cutting apertures with trapezoidal walls and also rounding corners will offer better paste release. Customers should contact their board assembly site for stencil design recommendations. Refer to IPC-7525
 - E. Customers should contact their board fabrication site for solder mask tolerances between and around signal pads.

IMPORTANT NOTICE AND DISCLAIMER

TI PROVIDES TECHNICAL AND RELIABILITY DATA (INCLUDING DATA SHEETS), DESIGN RESOURCES (INCLUDING REFERENCE DESIGNS), APPLICATION OR OTHER DESIGN ADVICE, WEB TOOLS, SAFETY INFORMATION, AND OTHER RESOURCES "AS IS" AND WITH ALL FAULTS, AND DISCLAIMS ALL WARRANTIES, EXPRESS AND IMPLIED, INCLUDING WITHOUT LIMITATION ANY IMPLIED WARRANTIES OF MERCHANTABILITY, FITNESS FOR A PARTICULAR PURPOSE OR NON-INFRINGEMENT OF THIRD PARTY INTELLECTUAL PROPERTY RIGHTS.

These resources are intended for skilled developers designing with TI products. You are solely responsible for (1) selecting the appropriate TI products for your application, (2) designing, validating and testing your application, and (3) ensuring your application meets applicable standards, and any other safety, security, regulatory or other requirements.

These resources are subject to change without notice. TI grants you permission to use these resources only for development of an application that uses the TI products described in the resource. Other reproduction and display of these resources is prohibited. No license is granted to any other TI intellectual property right or to any third party intellectual property right. TI disclaims responsibility for, and you will fully indemnify TI and its representatives against, any claims, damages, costs, losses, and liabilities arising out of your use of these resources.

TI's products are provided subject to [TI's Terms of Sale](#) or other applicable terms available either on ti.com or provided in conjunction with such TI products. TI's provision of these resources does not expand or otherwise alter TI's applicable warranties or warranty disclaimers for TI products.

TI objects to and rejects any additional or different terms you may have proposed.

Mailing Address: Texas Instruments, Post Office Box 655303, Dallas, Texas 75265
Copyright © 2022, Texas Instruments Incorporated

Looking for pricing, stock, or lifecycle information?

Click below to explore more details on WIN SOURCE:

 [View SN74ABT833NT on WIN SOURCE](#)

 [Texas Instruments](#) Information

Optimize Your Supply Chain with WIN SOURCE Solutions

-  Global Sourcing Solution
-  Obsolete Management
-  Cost Control Management
-  Shortage Management
-  Alternative Solution
-  Excess Inventory Management