



**THE DATASHEET OF
SN74ABT5403DWE4**



SN54ABT5403, SN74ABT5403 12-BIT LINE/MEMORY DRIVERS WITH 3-STATE OUTPUTS

SCBS236B – JUNE 1992 – REVISED JANUARY 1997

- Output Ports Have Equivalent 25-Ω Series Resistors, So No External Resistors Are Required
- State-of-the-Art EPIC-IIB™ BiCMOS Design Significantly Reduces Power Dissipation
- Latch-Up Performance Exceeds 500 mA Per JEDEC Standard JESD-17
- Typical V_{OLP} (Output Ground Bounce) < 1 V at $V_{CC} = 5$ V, $T_A = 25^\circ\text{C}$
- Typical V_{OLV} (Output Undershoot) < 0.5 V at $V_{CC} = 5$ V, $T_A = 25^\circ\text{C}$
- Package Options Include Plastic Small-Outline (DW) Package, Ceramic Chip Carriers (FK), and DIPs (JT)

description

These 12-bit buffers and line drivers are designed specifically to improve both the performance and density of 3-state memory address drivers, clock drivers, and bus-oriented receivers and transmitters.

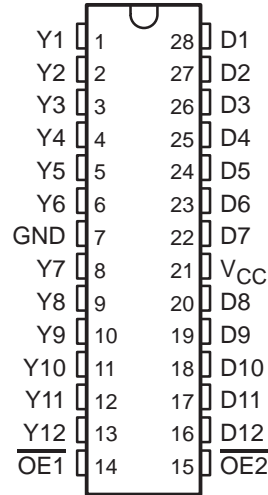
The 3-state control gate is a 2-input AND gate with active-low inputs so that if either output-enable ($\overline{OE1}$ or $\overline{OE2}$) input is high, all 12 outputs are in the high-impedance state. These devices provide inverted data.

The outputs, which are designed to source or sink up to 12 mA, include equivalent 25-Ω series resistors to reduce overshoot and undershoot.

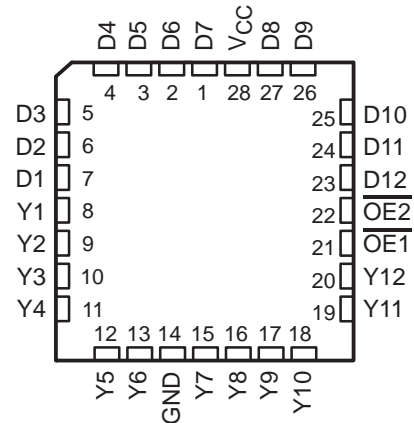
To ensure the high-impedance state during power up or power down, \overline{OE} should be tied to V_{CC} through a pullup resistor; the minimum value of the resistor is determined by the current-sinking capability of the driver.

The SN54ABT5403 is characterized for operation over the full military temperature range of -55°C to 125°C . The SN74ABT5403 is characterized for operation from -40°C to 85°C .

SN54ABT5403 . . . JT PACKAGE
SN74ABT5403 . . . DW PACKAGE
(TOP VIEW)



SN54ABT5403 . . . FK PACKAGE
(TOP VIEW)



FUNCTION TABLE

| INPUTS | | | OUTPUT |
|------------------|------------------|---|--------|
| $\overline{OE1}$ | $\overline{OE2}$ | D | Y |
| L | L | L | H |
| L | L | H | L |
| H | X | X | Z |
| X | H | X | Z |



Please be aware that an important notice concerning availability, standard warranty, and use in critical applications of Texas Instruments semiconductor products and disclaimers thereto appears at the end of this data sheet.

EPIC-IIB is a trademark of Texas Instruments Incorporated.

UNLESS OTHERWISE NOTED this document contains PRODUCTION DATA information current as of publication date. Products conform to specifications per the terms of Texas Instruments standard warranty. Production processing does not necessarily include testing of all parameters.

 **TEXAS
INSTRUMENTS**

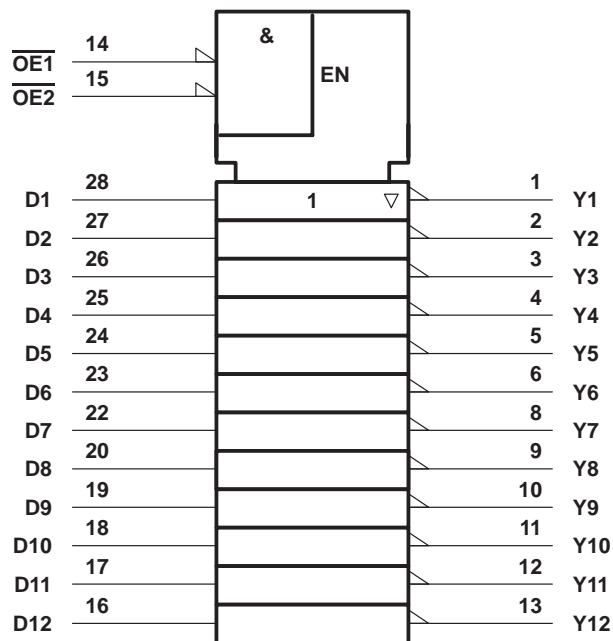
POST OFFICE BOX 655303 • DALLAS, TEXAS 75265

Copyright © 1997, Texas Instruments Incorporated

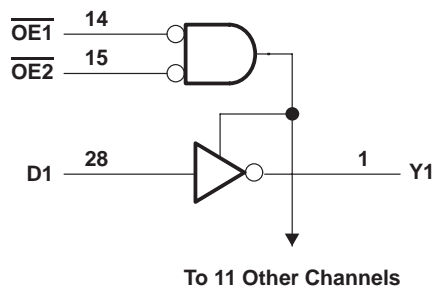
SN54ABT5403, SN74ABT5403 12-BIT LINE/MEMORY DRIVERS WITH 3-STATE OUTPUTS

SCBS236B – JUNE 1992 – REVISED JANUARY 1997

logic symbol†



logic diagram (positive logic)



† This symbol is in accordance with ANSI/IEEE Std 91-1984 and IEC Publication 617-12.

Pin numbers shown are for the DW and JT packages.

absolute maximum ratings over operating free-air temperature range (unless otherwise noted)‡

| | |
|---|-----------------|
| Supply voltage range, V_{CC} | -0.5 V to 7 V |
| Input voltage range, V_I (see Note 1) | -0.5 V to 7 V |
| Voltage range applied to any output in the high or power-off state, V_O | -0.5 V to 5.5 V |
| Current into any output in the low state, I_O | 30 mA |
| Input clamp current, I_{IK} ($V_I < 0$) | -18 mA |
| Output clamp current, I_{OK} ($V_O < 0$) | -50 mA |
| Package thermal impedance, θ_{JA} (see Note 2): DW package | 78°C/W |
| Storage temperature range, T_{stg} | -65°C to 150°C |

‡ Stresses beyond those listed under "absolute maximum ratings" may cause permanent damage to the device. These are stress ratings only, and functional operation of the device at these or any other conditions beyond those indicated under "recommended operating conditions" is not implied. Exposure to absolute-maximum-rated conditions for extended periods may affect device reliability.

- NOTES: 1. The input and output negative-voltage ratings may be exceeded if the input and output clamp-current ratings are observed.
2. The package thermal impedance is calculated in accordance with EIA/JEDEC Std JESD51.

SN54ABT5403, SN74ABT5403 12-BIT LINE/MEMORY DRIVERS WITH 3-STATE OUTPUTS

SCBS236B – JUNE 1992 – REVISED JANUARY 1997

recommended operating conditions (see Note 3)

| | | SN54ABT5403 | | SN74ABT5403 | | UNIT |
|-----------------|------------------------------------|-----------------|-----------------|-------------|-----------------|------|
| | | MIN | MAX | MIN | MAX | |
| V _{CC} | Supply voltage | 4.5 | 5.5 | 4.5 | 5.5 | V |
| V _{IH} | High-level input voltage | 2 | | 2 | | V |
| V _{IL} | Low-level input voltage | | 0.8 | | 0.8 | V |
| V _I | Input voltage | 0 | V _{CC} | 0 | V _{CC} | V |
| I _{OH} | High-level output current | | -12 | | -12 | mA |
| I _{OL} | Low-level output current | | 12 | | 12 | mA |
| Δt/Δv | Input transition rise or fall rate | Outputs enabled | | 10 | 10 | ns/V |
| T _A | Operating free-air temperature | -55 | 125 | -40 | 85 | °C |

NOTE 3: Unused inputs must be held high or low to prevent them from floating.

electrical characteristics over recommended operating free-air temperature range (unless otherwise noted)

| PARAMETER | | TEST CONDITIONS | | T _A = 25°C | | | SN54ABT5403 | | SN74ABT5403 | | UNIT |
|--------------------|----------------|--|--|-----------------------|------|------|-------------|------|-------------|------|------|
| | | | | MIN | TYP† | MAX | MIN | MAX | MIN | MAX | |
| V _{IK} | | V _{CC} = 4.5 V, | I _I = -18 mA | | | -1.2 | | -1.2 | | -1.2 | V |
| V _{OH} | | V _{CC} = 4.5 V, | I _{OH} = -1 mA | 3.35 | 3.7 | | 3.3 | | 3.35 | | V |
| | | V _{CC} = 5 V, | I _{OH} = -1 mA | 3.85 | 4.2 | | 3.8 | | 3.85 | | |
| | | V _{CC} = 4.5 V | I _{OH} = -3 mA | | | | 3 | | 3.1 | | |
| V _{OL} | | V _{CC} = 4.5 V | I _{OL} = 8 mA | | | | | 0.8 | | 0.65 | V |
| | | | I _{OL} = 12 mA | | | | | | | 0.8 | |
| V _{hys} | | | | | 100 | | | | | | mV |
| I _I | | V _{CC} = 5.5 V, | V _I = V _{CC} or GND | | | ±1 | | ±1 | | ±1 | μA |
| I _{OZH} | | V _{CC} = 5.5 V, | V _O = 2.7 V | | | 50 | | 50 | | 50 | μA |
| I _{OZL} | | V _{CC} = 5.5 V, | V _O = 0.5 V | | | -50 | | -50 | | -50 | μA |
| I _{off} | | V _{CC} = 0, | V _I or V _O ≤ 4.5 V | | | ±100 | | | | ±100 | μA |
| I _{CEX} | | V _{CC} = 5.5 V, V _O = 5.5 V | Outputs high | | | 50 | | 50 | | 50 | μA |
| I _O | | V _{CC} = 5.5 V, | V _O = 2.5 V | -25 | -45 | -100 | -25 | -100 | -25 | -100 | mA |
| I _{OS‡} | | V _{CC} = 5.5 V, | V _O = 0 | -50 | | -200 | -50 | -200 | -50 | -200 | mA |
| I _{CC} | | V _{CC} = 5.5 V, I _O = 0, V _I = V _{CC} or GND | Outputs high | | 5 | 50 | | 50 | | 50 | μA |
| | | | Outputs low | | 36 | 45 | | 45 | | 45 | mA |
| | | | Outputs disabled | | 1 | 50 | | 50 | | 50 | μA |
| ΔI _{CC} § | Data inputs | V _{CC} = 5.5 V, One input at 3.4 V, Other inputs at V _{CC} or GND | Outputs enabled | | 1.5 | | 1.5 | | 1.5 | | mA |
| | | | Outputs disabled | | 0.05 | | 0.05 | | 0.05 | | |
| | Control inputs | V _{CC} = 5.5 V, One input at 3.4 V, Other inputs at V _{CC} or GND | | | 1.5 | | 1.5 | | 1.5 | | |
| C _i | | V _I = 2.5 V or 0.5 V | | | 3 | | | | | | pF |
| C _o | | V _O = 2.5 V or 0.5 V | | | 8 | | | | | | pF |

† All typical values are at V_{CC} = 5 V.

‡ Not more than one output should be tested at a time, and the duration of the test should not exceed one second.

§ This is the increase in supply current for each input that is at the specified TTL voltage level rather than V_{CC} or GND.

PRODUCT PREVIEW information concerns products in the formative or design phase of development. Characteristic data and other specifications are design goals. Texas Instruments reserves the right to change or discontinue these products without notice.



POST OFFICE BOX 655303 • DALLAS, TEXAS 75265

SN54ABT5403, SN74ABT5403
12-BIT LINE/MEMORY DRIVERS
WITH 3-STATE OUTPUTS

SCBS236B – JUNE 1992 – REVISED JANUARY 1997

switching characteristics over recommended ranges of supply voltage and operating free-air temperature, $C_L = 50$ pF (unless otherwise noted) (see Figure 1)

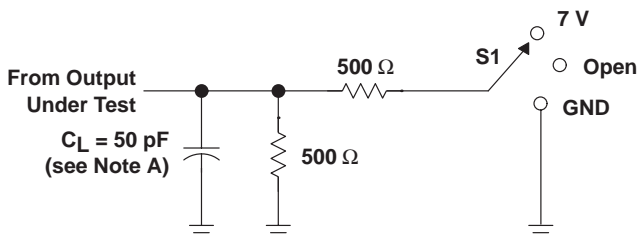
| PARAMETER | FROM (INPUT) | TO (OUTPUT) | $V_{CC} = 5$ V, $T_A = 25^\circ$ C | | | SN54ABT5403 | | SN74ABT5403 | | UNIT |
|-----------|-----------------|-------------|---------------------------------------|-----|-----|-------------|-----|-------------|-----|------|
| | | | MIN | TYP | MAX | MIN | MAX | MIN | MAX | |
| t_{PLH} | D | Y | 2 | 4.5 | 6.1 | 2 | 7 | 2 | 6.9 | ns |
| t_{PHL} | | | 1.5 | 4.4 | 5.2 | 1.5 | 5.9 | 1.5 | 5.7 | |
| t_{PZH} | \overline{OE} | Y | 2.5 | 5.7 | 6.6 | 2.5 | 8.6 | 2.5 | 8.5 | ns |
| t_{PZL} | | | 2 | 4.4 | 5.5 | 2 | 6.9 | 2 | 6.8 | |
| t_{PHZ} | \overline{OE} | Y | 1.5 | 3.6 | 4.4 | 1.5 | 5.5 | 1.5 | 5.2 | ns |
| t_{PLZ} | | | 1.5 | 4.2 | 5.4 | 1.5 | 7.4 | 1.5 | 6.9 | |

PRODUCT PREVIEW information concerns products in the formative or design phase of development. Characteristic data and other specifications are design goals. Texas Instruments reserves the right to change or discontinue these products without notice.



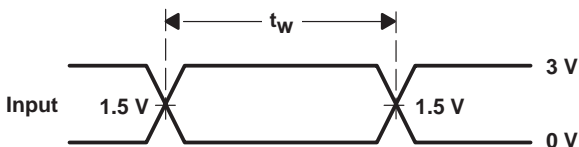
POST OFFICE BOX 655303 • DALLAS, TEXAS 75265

PARAMETER MEASUREMENT INFORMATION

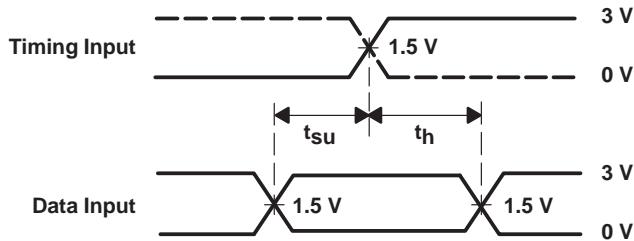


LOAD CIRCUIT

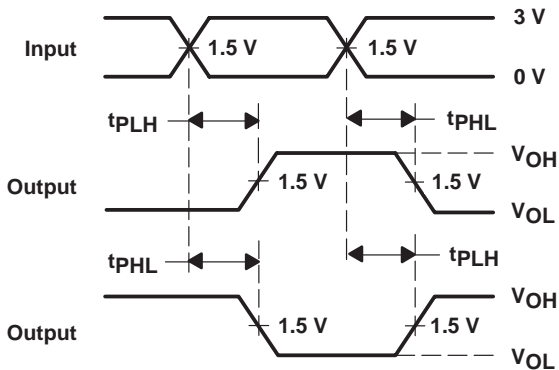
| TEST | S1 |
|-------------------|------|
| t_{PLH}/t_{PHL} | Open |
| t_{PLZ}/t_{PZL} | 7 V |
| t_{PHZ}/t_{PZH} | Open |



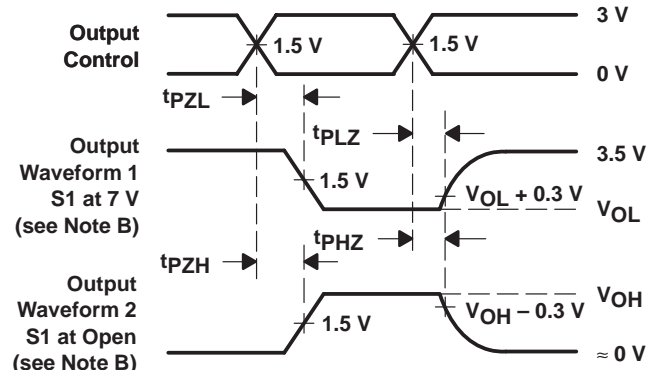
VOLTAGE WAVEFORMS
PULSE DURATION



VOLTAGE WAVEFORMS
SETUP AND HOLD TIMES



VOLTAGE WAVEFORMS
PROPAGATION DELAY TIMES
INVERTING AND NONINVERTING OUTPUTS



VOLTAGE WAVEFORMS
ENABLE AND DISABLE TIMES
LOW- AND HIGH-LEVEL ENABLING

- NOTES: A. C_L includes probe and jig capacitance.
B. Waveform 1 is for an output with internal conditions such that the output is low except when disabled by the output control. Waveform 2 is for an output with internal conditions such that the output is high except when disabled by the output control.
C. All input pulses are supplied by generators having the following characteristics: $PRR \leq 10 \text{ MHz}$, $Z_O = 50 \Omega$, $t_r \leq 2.5 \text{ ns}$, $t_f \leq 2.5 \text{ ns}$.
D. The outputs are measured one at a time with one transition per measurement.

Figure 1. Load Circuit and Voltage Waveforms

PACKAGING INFORMATION

| Orderable Device | Status (1) | Package Type | Package Drawing | Pins | Package Qty | Eco Plan (2) | Lead finish/ Ball material (6) | MSL Peak Temp (3) | Op Temp (°C) | Device Marking (4/5) | Samples |
|------------------|---------------|--------------|--------------------|------|----------------|-----------------|--------------------------------------|----------------------|--------------|-------------------------|---------|
| SN74ABT5403DWR | ACTIVE | SOIC | DW | 28 | 1000 | RoHS & Green | NIPDAU | Level-1-260C-UNLIM | -40 to 85 | ABT5403 | Samples |

(1) The marketing status values are defined as follows:

ACTIVE: Product device recommended for new designs.

LIFEBUY: TI has announced that the device will be discontinued, and a lifetime-buy period is in effect.

NRND: Not recommended for new designs. Device is in production to support existing customers, but TI does not recommend using this part in a new design.

PREVIEW: Device has been announced but is not in production. Samples may or may not be available.

OBSOLETE: TI has discontinued the production of the device.

(2) **RoHS:** TI defines "RoHS" to mean semiconductor products that are compliant with the current EU RoHS requirements for all 10 RoHS substances, including the requirement that RoHS substance do not exceed 0.1% by weight in homogeneous materials. Where designed to be soldered at high temperatures, "RoHS" products are suitable for use in specified lead-free processes. TI may reference these types of products as "Pb-Free".

RoHS Exempt: TI defines "RoHS Exempt" to mean products that contain lead but are compliant with EU RoHS pursuant to a specific EU RoHS exemption.

Green: TI defines "Green" to mean the content of Chlorine (Cl) and Bromine (Br) based flame retardants meet JS709B low halogen requirements of <=1000ppm threshold. Antimony trioxide based flame retardants must also meet the <=1000ppm threshold requirement.

(3) MSL, Peak Temp. - The Moisture Sensitivity Level rating according to the JEDEC industry standard classifications, and peak solder temperature.

(4) There may be additional marking, which relates to the logo, the lot trace code information, or the environmental category on the device.

(5) Multiple Device Markings will be inside parentheses. Only one Device Marking contained in parentheses and separated by a "-" will appear on a device. If a line is indented then it is a continuation of the previous line and the two combined represent the entire Device Marking for that device.

(6) Lead finish/Ball material - Orderable Devices may have multiple material finish options. Finish options are separated by a vertical ruled line. Lead finish/Ball material values may wrap to two lines if the finish value exceeds the maximum column width.

Important Information and Disclaimer: The information provided on this page represents TI's knowledge and belief as of the date that it is provided. TI bases its knowledge and belief on information provided by third parties, and makes no representation or warranty as to the accuracy of such information. Efforts are underway to better integrate information from third parties. TI has taken and continues to take reasonable steps to provide representative and accurate information but may not have conducted destructive testing or chemical analysis on incoming materials and chemicals. TI and TI suppliers consider certain information to be proprietary, and thus CAS numbers and other limited information may not be available for release.

In no event shall TI's liability arising out of such information exceed the total purchase price of the TI part(s) at issue in this document sold by TI to Customer on an annual basis.

TAPE AND REEL INFORMATION

QUADRANT ASSIGNMENTS FOR PIN 1 ORIENTATION IN TAPE


*All dimensions are nominal

| Device | Package Type | Package Drawing | Pins | SPQ | Reel Diameter (mm) | Reel Width W1 (mm) | A0 (mm) | B0 (mm) | K0 (mm) | P1 (mm) | W (mm) | Pin1 Quadrant |
|----------------|--------------|-----------------|------|------|--------------------|--------------------|---------|---------|---------|---------|--------|---------------|
| SN74ABT5403DWR | SOIC | DW | 28 | 1000 | 330.0 | 32.4 | 11.35 | 18.67 | 3.1 | 16.0 | 32.0 | Q1 |

TAPE AND REEL BOX DIMENSIONS


*All dimensions are nominal

| Device | Package Type | Package Drawing | Pins | SPQ | Length (mm) | Width (mm) | Height (mm) |
|----------------|--------------|-----------------|------|------|-------------|------------|-------------|
| SN74ABT5403DWR | SOIC | DW | 28 | 1000 | 350.0 | 350.0 | 66.0 |

IMPORTANT NOTICE AND DISCLAIMER

TI PROVIDES TECHNICAL AND RELIABILITY DATA (INCLUDING DATA SHEETS), DESIGN RESOURCES (INCLUDING REFERENCE DESIGNS), APPLICATION OR OTHER DESIGN ADVICE, WEB TOOLS, SAFETY INFORMATION, AND OTHER RESOURCES "AS IS" AND WITH ALL FAULTS, AND DISCLAIMS ALL WARRANTIES, EXPRESS AND IMPLIED, INCLUDING WITHOUT LIMITATION ANY IMPLIED WARRANTIES OF MERCHANTABILITY, FITNESS FOR A PARTICULAR PURPOSE OR NON-INFRINGEMENT OF THIRD PARTY INTELLECTUAL PROPERTY RIGHTS.

These resources are intended for skilled developers designing with TI products. You are solely responsible for (1) selecting the appropriate TI products for your application, (2) designing, validating and testing your application, and (3) ensuring your application meets applicable standards, and any other safety, security, regulatory or other requirements.

These resources are subject to change without notice. TI grants you permission to use these resources only for development of an application that uses the TI products described in the resource. Other reproduction and display of these resources is prohibited. No license is granted to any other TI intellectual property right or to any third party intellectual property right. TI disclaims responsibility for, and you will fully indemnify TI and its representatives against, any claims, damages, costs, losses, and liabilities arising out of your use of these resources.

TI's products are provided subject to [TI's Terms of Sale](#) or other applicable terms available either on [ti.com](https://www.ti.com) or provided in conjunction with such TI products. TI's provision of these resources does not expand or otherwise alter TI's applicable warranties or warranty disclaimers for TI products.

TI objects to and rejects any additional or different terms you may have proposed.

Mailing Address: Texas Instruments, Post Office Box 655303, Dallas, Texas 75265
Copyright © 2023, Texas Instruments Incorporated

Looking for pricing, stock, or lifecycle information?

Click below to explore more details on WIN SOURCE:

 [View SN74ABT5403DWE4 on WIN SOURCE](#)

 [Texas Instruments](#) Information

Optimize Your Supply Chain with WIN SOURCE Solutions

-  Global Sourcing Solution
-  Obsolete Management
-  Cost Control Management
-  Shortage Management
-  Alternative Solution
-  Excess Inventory Management