



**THE DATASHEET OF
PI7C9X118SLFDE**





PI7C9X118SL
PCI Express-to-PCI Bridge
Datasheet
January 2021
Revision 5



A Product Line of
Diodes Incorporated



1545 Barber Lane Milpitas, CA 95035
Telephone: 408-232-9100
FAX: 408-434-1040
Internet: <http://www.diodes.com>

IMPORTANT NOTICE

1. DIODES INCORPORATED AND ITS SUBSIDIARIES (“DIODES”) MAKE NO WARRANTY OF ANY KIND, EXPRESS OR IMPLIED, WITH REGARDS TO ANY INFORMATION CONTAINED IN THIS DOCUMENT, INCLUDING, BUT NOT LIMITED TO, THE IMPLIED WARRANTIES OF MERCHANTABILITY, FITNESS FOR A PARTICULAR PURPOSE OR NON-INFRINGEMENT OF THIRD PARTY INTELLECTUAL PROPERTY RIGHTS (AND THEIR EQUIVALENTS UNDER THE LAWS OF ANY JURISDICTION).
2. The Information contained herein is for informational purpose only and is provided only to illustrate the operation of Diodes products described herein and application examples. Diodes does not assume any liability arising out of the application or use of this document or any product described herein. This document is intended for skilled and technically trained engineering customers and users who design with Diodes products. Diodes products may be used to facilitate safety-related applications; however, in all instances customers and users are responsible for (a) selecting the appropriate Diodes products for their applications, (b) evaluating the suitability of the Diodes products for their intended applications, (c) ensuring their applications, which incorporate Diodes products, comply the applicable legal and regulatory requirements as well as safety and functional-safety related standards, and (d) ensuring they design with appropriate safeguards (including testing, validation, quality control techniques, redundancy, malfunction prevention, and appropriate treatment for aging degradation) to minimize the risks associated with their applications.
3. Diodes assumes no liability for any application-related information, support, assistance or feedback that may be provided by Diodes from time to time. Any customer or user of this document or products described herein will assume all risks and liabilities associated with such use, and will hold Diodes and all companies whose products are represented herein or on Diodes’ websites, harmless against all damages and liabilities.
4. Products described herein may be covered by one or more United States, international or foreign patents and pending patent applications. Product names and markings noted herein may also be covered by one or more United States, international or foreign trademarks and trademark applications. Diodes does not convey any license under any of its intellectual property rights or the rights of any third parties (including third parties whose products and services may be described in this document or on Diodes’ website) under this document.
5. Diodes products are provided subject to Diodes’ Standard Terms and Conditions of Sale (<https://www.diodes.com/about/company/terms-and-conditions/terms-and-conditions-of-sales/>) or other applicable terms. This document does not alter or expand the applicable warranties provided by Diodes. Diodes does not warrant or accept any liability whatsoever in respect of any products purchased through unauthorized sales channel.
6. Diodes products and technology may not be used for or incorporated into any products or systems whose manufacture, use or sale is prohibited under any applicable laws and regulations. Should customers or users use Diodes products in contravention of any applicable laws or regulations, or for any unintended or unauthorized application, customers and users will (a) be solely responsible for any damages, losses or penalties arising in connection therewith or as a result thereof, and (b) indemnify and hold Diodes and its representatives and agents harmless against any and all claims, damages, expenses, and attorney fees arising out of, directly or indirectly, any claim relating to any noncompliance with the applicable laws and regulations, as well as any unintended or unauthorized application.
7. While efforts have been made to ensure the information contained in this document is accurate, complete and current, it may contain technical inaccuracies, omissions and typographical errors. Diodes does not warrant that information contained in this document is error-free and Diodes is under no obligation to update or otherwise correct this information. Notwithstanding the foregoing, Diodes reserves the right to make modifications, enhancements, improvements, corrections or other changes without further notice to this document and any product described herein. This document is written in English but may be translated into multiple languages for reference. Only the English version of this document is the final and determinative format released by Diodes.
8. Any unauthorized copying, modification, distribution, transmission, display or other use of this document (or any portion hereof) is prohibited. Diodes assumes no responsibility for any losses incurred by the customers or users or any third parties arising from any such unauthorized use.

Copyright © 2021 Diodes Incorporated

www.diodes.com

REVISION HISTORY

| Date | Revision # | Description |
|------------|------------|---|
| 07/31/2011 | 0.1 | Preliminary Datasheet |
| 09/05/2011 | 0.2 | Updated Section 2.7 Power and Ground Pins (1.1V power supply to 1.0V) |
| 12/15/2011 | 1.0 | PI7C9X118SL datasheet release |
| 05/28/2013 | 1.1 | Remove Figure 8-2 Topology of internal clock generator and internal clock buffering – external feedback mode Remove Figure 8-4 Topology of external clock generator and internal clock buffering – external feedback mode |
| 07/24/2014 | 1.2 | Remove NC and pin 22 from Section 2.6 and added pin 22 to Section 2.7 under pin name VSS |
| 04/21/2016 | 1.3 | Updated Section 2.5 JTAG Boundary Scan Signals |
| 01/18/2017 | 1.4 | Updated Logo Updated Section 2.7 Power and Ground Pins Updated Section 2.8 Pin Assignments Updated Section 14.1 Absolute Maximum Ratings Updated Section 14.2 DC Specifications Added Section 14.4 Operating Ambient Temperature |
| 09/27/2017 | 2 | Added Section 14 Power Sequencing Updated Section 17 Ordering Information Revision numbering system changed to whole number |
| 02/06/2020 | 3 | Updated Section 17 Ordering Information Updated Figure 1-1 PI7C9X118SL Topology Updated Figure 16-1 Package Outline Drawing Added Figure 16-2 Part Marking |
| 04/09/2020 | 4 | Updated Section 14 Power Sequencing Added Section 14.2 Power-Off Sequence |
| 01/18/2021 | 5 | Updated Section 14 Power Sequencing Updated Section 2.2 PCI Express Signals |

PREFACE

The datasheet of PI7C9X118SL will be enhanced periodically when updated information is available. The technical information in this datasheet is subject to change without notice. This document describes the functionalities of PI7C9X118SL (PCI Express Bridge) and provides technical information for designers to design their hardware using PI7C9X118SL.

TABLE OF CONTENTS

| | | |
|----------|--|-----------|
| 1 | INTRODUCTION | 10 |
| 1.1 | INDUSTRY SPECIFICATION COMPLIANCE | 10 |
| 1.2 | GENERAL FEATURES | 10 |
| 1.3 | PCI EXPRESS FEATURES | 11 |
| 1.4 | PCI FEATURES | 11 |
| 2 | PIN DEFINITIONS | 12 |
| 2.1 | SIGNAL TYPES | 12 |
| 2.2 | PCI EXPRESS SIGNALS | 12 |
| 2.3 | PCI SIGNALS | 12 |
| 2.4 | MODE SELECT AND STRAPPING SIGNALS | 14 |
| 2.5 | JTAG BOUNDARY SCAN SIGNALS | 14 |
| 2.6 | MISCELLANEOUS SIGNALS | 14 |
| 2.7 | POWER AND GROUND PINS | 14 |
| 2.8 | PIN ASSIGNMENTS | 16 |
| 3 | MODE SELECTION AND PIN STRAPPING | 17 |
| 3.1 | FUNCTIONAL MODE SELECTION | 17 |
| 3.2 | PIN STRAPPING | 17 |
| 4 | TRANSPARENT AND FORWARD BRIDGING | 18 |
| 4.1 | TRANSPARENT MODE | 18 |
| 4.2 | FORWARD BRIDGE | 18 |
| 5 | PCI EXPRESS FUNCTIONAL OVERVIEW | 20 |
| 5.1 | TLP STRUCTURE | 20 |
| 5.2 | VIRTUAL ISOCHRONOUS OPERATION | 20 |
| 6 | CONFIGURATION REGISTER ACCESS | 21 |
| 6.1 | CONFIGURATION REGISTER MAP | 21 |
| 6.2 | PCI EXPRESS EXTENDED CAPABILITY REGISTER MAP | 22 |
| 6.3 | PCI CONFIGURATION REGISTERS | 23 |
| 6.3.1 | VENDOR ID – OFFSET 00h | 23 |
| 6.3.2 | DEVICE ID – OFFSET 00h | 23 |
| 6.3.3 | COMMAND REGISTER – OFFSET 04h | 24 |
| 6.3.4 | PRIMARY STATUS REGISTER – OFFSET 04h | 24 |
| 6.3.5 | REVISION ID REGISTER – OFFSET 08h | 25 |
| 6.3.6 | CLASS CODE REGISTER – OFFSET 08h | 25 |
| 6.3.7 | CACHE LINE SIZE REGISTER – OFFSET 0Ch | 25 |
| 6.3.8 | PRIMARY LATENCY TIMER REGISTER – OFFSET 0Ch | 26 |
| 6.3.9 | HEADER TYPE REGISTER – OFFSET 0Ch | 26 |
| 6.3.10 | RESERVED REGISTERS – OFFSET 10h TO 17h | 26 |
| 6.3.11 | PRIMARY BUS NUMBER REGISTER – OFFSET 18h | 26 |
| 6.3.12 | SECONDARY BUS NUMBER REGISTER – OFFSET 18h | 26 |
| 6.3.13 | SUBORDINATE BUS NUMBER REGISTER – OFFSET 18h | 26 |
| 6.3.14 | SECONDARY LATENCY TIME REGISTER – OFFSET 18h | 26 |

| | | |
|--------|---|----|
| 6.3.15 | I/O BASE REGISTER – OFFSET 1Ch..... | 27 |
| 6.3.16 | I/O LIMIT REGISTER – OFFSET 1Ch..... | 27 |
| 6.3.17 | SECONDARY STATUS REGISTER – OFFSET 1Ch..... | 27 |
| 6.3.18 | MEMORY BASE REGISTER – OFFSET 20h..... | 28 |
| 6.3.19 | MEMORY LIMIT REGISTER – OFFSET 20h..... | 28 |
| 6.3.20 | PREFETCHABLE MEMORY BASE REGISTER – OFFSET 24h..... | 28 |
| 6.3.21 | PREFETCHABLE MEMORY LIMIT REGISTER – OFFSET 24h..... | 28 |
| 6.3.22 | PREFETCHABLE BASE UPPER 32-BIT REGISTER – OFFSET 28h..... | 28 |
| 6.3.23 | PREFETCHABLE LIMIT UPPER 32-BIT REGISTER – OFFSET 2Ch..... | 28 |
| 6.3.24 | I/O BASE UPPER 16-BIT REGISTER – OFFSET 30h..... | 29 |
| 6.3.25 | I/O LIMIT UPPER 16-BIT REGISTER – OFFSET 30h..... | 29 |
| 6.3.26 | CAPABILITY POINTER – OFFSET 34h..... | 29 |
| 6.3.27 | EXPANSION ROM BASE ADDRESS REGISTER – OFFSET 38h..... | 29 |
| 6.3.28 | INTERRUPT LINE REGISTER – OFFSET 3Ch..... | 29 |
| 6.3.29 | INTERRUPT PIN REGISTER – OFFSET 3Ch..... | 29 |
| 6.3.30 | BRIDGE CONTROL REGISTER – OFFSET 3Ch..... | 29 |
| 6.3.31 | PCI DATA PREFETCHING CONTROL REGISTER – OFFSET 40h..... | 30 |
| 6.3.32 | CHIP CONTROL 0 REGISTER – OFFSET 40h..... | 32 |
| 6.3.33 | RESERVED REGISTER – OFFSET 44h..... | 33 |
| 6.3.34 | ARBITER ENABLE REGISTER – OFFSET 48h..... | 33 |
| 6.3.35 | ARBITER MODE REGISTER – OFFSET 48h..... | 33 |
| 6.3.36 | ARBITER PRIORITY REGISTER – OFFSET 48h..... | 34 |
| 6.3.37 | RESERVED REGISTERS – OFFSET 4Ch..... | 34 |
| 6.3.38 | MEMORY READSMART BASE LOWER 32-Bit REGISTER 1 – OFFSET 50h..... | 34 |
| 6.3.39 | MEMORY READSMART BASE UPPER 32-Bit REGISTER 1 – OFFSET 54h..... | 35 |
| 6.3.40 | MEMORY READSMART RANGE CONTROL REGISTER 1 – OFFSET 58h..... | 35 |
| 6.3.41 | MEMORY READSMART BASE LOWER 32-Bit REGISTER 2 – OFFSET 5Ch..... | 35 |
| 6.3.42 | MEMORY READSMART BASE UPPER 32-Bit REGISTER 2 – OFFSET 60h..... | 35 |
| 6.3.43 | MEMORY READSMART RANGE SIZE REGISTER 2 – OFFSET 64h..... | 35 |
| 6.3.44 | UPSTREAM MEMORY READ/WRITE CONTROL REGISTER – OFFSET 68h..... | 35 |
| 6.3.45 | PHY TRANSMIT/RECEIVE CONTROL REGISTER – OFFSET 6Ch..... | 36 |
| 6.3.46 | EEPROM AUTOLOAD CONTROL/STATUS REGISTER – OFFSET 70h..... | 37 |
| 6.3.47 | RESERVED REGISTER – OFFSET 74h..... | 38 |
| 6.3.48 | GPIO DATA AND CONTROL REGISTER – OFFSET 78h..... | 38 |
| 6.3.49 | RESERVED REGISTER – OFFSET 7Ch..... | 38 |
| 6.3.50 | PCI-X CAPABILITY ID REGISTER – OFFSET 80h..... | 38 |
| 6.3.51 | NEXT CAPABILITY POINTER REGISTER – OFFSET 80h..... | 38 |
| 6.3.52 | PCI-X SECONDARY STATUS REGISTER – OFFSET 80h..... | 38 |
| 6.3.53 | PCI-X BRIDGE STATUS REGISTER – OFFSET 84h..... | 39 |
| 6.3.54 | UPSTREAM SPLIT TRANSACTION REGISTER – OFFSET 88h..... | 40 |
| 6.3.55 | DOWNSTREAM SPLIT TRANSACTION REGISTER – OFFSET 8Ch..... | 40 |
| 6.3.56 | POWER MANAGEMENT ID REGISTER – OFFSET 90h..... | 40 |
| 6.3.57 | NEXT CAPABILITY POINTER REGISTER – OFFSET 90h..... | 41 |
| 6.3.58 | POWER MANAGEMENT CAPABILITY REGISTER – OFFSET 90h..... | 41 |
| 6.3.59 | POWER MANAGEMENT CONTROL AND STATUS REGISTER – OFFSET 94h..... | 41 |
| 6.3.60 | PCI-TO-PCI SUPPORT EXTENSION REGISTER – OFFSET 94h..... | 42 |
| 6.3.61 | SUBTRACTIVE DECODING PCI-TO-PCI BRIDGE ENABLE – OFFSET 98h..... | 42 |
| 6.3.62 | RESERVED REGISTERS – OFFSET 9Ch..... | 42 |
| 6.3.63 | CAPABILITY ID REGISTER – OFFSET A0h..... | 42 |
| 6.3.64 | NEXT POINTER REGISTER – OFFSET A0h..... | 43 |
| 6.3.65 | SLOT NUMBER REGISTER – OFFSET A0h..... | 43 |
| 6.3.66 | CHASSIS NUMBER REGISTER – OFFSET A0h..... | 43 |
| 6.3.67 | SECONDARY CLOCK AND CLKRUN CONTROL REGISTER – OFFSET A4h..... | 43 |
| 6.3.68 | XPIP CONFIGURATION REGISTER 3 – OFFSET A4h..... | 44 |

| | | |
|---------|--|----|
| 6.3.69 | CAPABILITY ID REGISTER – OFFSET A8h..... | 44 |
| 6.3.70 | NEXT POINTER REGISTER – OFFSET A8h..... | 44 |
| 6.3.71 | RESERVED REGISTER – OFFSET A8h..... | 44 |
| 6.3.72 | SUBSYSTEM VENDOR ID REGISTER – OFFSET ACh..... | 44 |
| 6.3.73 | SUBSYSTEM ID REGISTER – OFFSET ACh..... | 45 |
| 6.3.74 | PCI EXPRESS CAPABILITY ID REGISTER – OFFSET B0h..... | 45 |
| 6.3.75 | NEXT CAPABILITY POINTER REGISTER – OFFSET B0h..... | 45 |
| 6.3.76 | PCI EXPRESS CAPABILITY REGISTER – OFFSET B0h..... | 45 |
| 6.3.77 | DEVICE CAPABILITY REGISTER – OFFSET B4h..... | 45 |
| 6.3.78 | DEVICE CONTROL REGISTER – OFFSET B8h..... | 46 |
| 6.3.79 | DEVICE STATUS REGISTER – OFFSET B8h..... | 47 |
| 6.3.80 | LINK CAPABILITY REGISTER – OFFSET BCh..... | 47 |
| 6.3.81 | LINK CONTROL REGISTER – OFFSET C0h..... | 48 |
| 6.3.82 | LINK STATUS REGISTER – OFFSET C0h..... | 48 |
| 6.3.83 | RESERVED REGISTER – OFFSET C4 – C8h..... | 49 |
| 6.3.84 | XPIP CONFIGURATION REGISTER 0 – OFFSET CCh..... | 49 |
| 6.3.85 | XPIP CONFIGURATION REGISTER 1 – OFFSET D0h..... | 49 |
| 6.3.86 | XPIP CONFIGURATION REGISTER 2 – OFFSET D4h..... | 49 |
| 6.3.87 | CAPABILITY ID REGISTER – OFFSET D8h..... | 50 |
| 6.3.88 | NEXT POINTER REGISTER – OFFSET D8h..... | 50 |
| 6.3.89 | VPD REGISTER – OFFSET D8h..... | 50 |
| 6.3.90 | VPD DATA REGISTER – OFFSET DCh..... | 50 |
| 6.3.91 | EXTENDED CONFIGURATION ACCESS ADDRESS REGISTER – OFFSET E0h..... | 50 |
| 6.3.92 | EXTENDED CONFIGURATION ACCESS DATA REGISTER – OFFSET E4h..... | 51 |
| 6.3.93 | RESERVED REGISTERS – OFFSET E8h – ECh..... | 51 |
| 6.3.94 | MESSAGE SIGNALLED INTERRUPTS ID REGISTER – F0h..... | 51 |
| 6.3.95 | NEXT CAPABILITIES POINTER REGISTER – F0h..... | 51 |
| 6.3.96 | MESSAGE CONTROL REGISTER – OFFSET F0h..... | 51 |
| 6.3.97 | MESSAGE ADDRESS REGISTER – OFFSET F4h..... | 51 |
| 6.3.98 | MESSAGE UPPER ADDRESS REGISTER – OFFSET F8h..... | 52 |
| 6.3.99 | MESSAGE DATA REGISTER – OFFSET FCh..... | 52 |
| 6.3.100 | ADVANCE ERROR REPORTING CAPABILITY ID REGISTER – OFFSET 100h..... | 52 |
| 6.3.101 | ADVANCE ERROR REPORTING CAPABILITY VERSION REGISTER – OFFSET 100h..... | 52 |
| 6.3.102 | NEXT CAPABILITY OFFSET REGISTER – OFFSET 100h..... | 52 |
| 6.3.103 | UNCORRECTABLE ERROR STATUS REGISTER – OFFSET 104h..... | 52 |
| 6.3.104 | UNCORRECTABLE ERROR MASK REGISTER – OFFSET 108h..... | 52 |
| 6.3.105 | UNCORRECTABLE ERROR SEVERITY REGISTER – OFFSET 10Ch..... | 53 |
| 6.3.106 | CORRECTABLE ERROR STATUS REGISTER – OFFSET 110h..... | 53 |
| 6.3.107 | CORRECTABLE ERROR MASK REGISTER – OFFSET 114h..... | 53 |
| 6.3.108 | ADVANCED ERROR CAPABILITIES AND CONTROL REGISTER – OFFSET 118h..... | 54 |
| 6.3.109 | HEADER LOG REGISTER 1 – OFFSET 11Ch..... | 54 |
| 6.3.110 | HEADER LOG REGISTER 2 – OFFSET 120h..... | 54 |
| 6.3.111 | HEADER LOG REGISTER 3 – OFFSET 124h..... | 54 |
| 6.3.112 | HEADER LOG REGISTER 4 – OFFSET 128h..... | 54 |
| 6.3.113 | SECONDARY UNCORRECTABLE ERROR STATUS REGISTER – OFFSET 12Ch..... | 54 |
| 6.3.114 | SECONDARY UNCORRECTABLE ERROR MASK REGISTER – OFFSET 130h..... | 55 |
| 6.3.115 | SECONDARY UNCORRECTABLE ERROR SEVERITY REGISTER – OFFSET 134h..... | 55 |
| 6.3.116 | SECONDARY ERROR CAPABILITY AND CONTROL REGISTER – OFFSET 138h..... | 56 |
| 6.3.117 | SECONDARY HEADER LOG REGISTER – OFFSET 13Ch – 148h..... | 56 |
| 6.3.118 | RESERVED REGISTER – OFFSET 14Ch..... | 56 |
| 6.3.119 | VC CAPABILITY ID REGISTER – OFFSET 150h..... | 57 |
| 6.3.120 | VC CAPABILITY VERSION REGISTER – OFFSET 150h..... | 57 |
| 6.3.121 | NEXT CAPABILITY OFFSET REGISTER – OFFSET 150h..... | 57 |
| 6.3.122 | PORT VC CAPABILITY REGISTER 1 – OFFSET 154h..... | 57 |

| | | |
|-----------|---|-----------|
| 6.3.123 | PORT VC CAPABILITY REGISTER 2 – OFFSET 158h | 57 |
| 6.3.124 | PORT VC CONTROL REGISTER – OFFSET 15Ch..... | 57 |
| 6.3.125 | PORT VC STATUS REGISTER – OFFSET 15Ch..... | 57 |
| 6.3.126 | VC0 RESOURCE CAPABILITY REGISTER – OFFSET 160h | 57 |
| 6.3.127 | VC0 RESOURCE CONTROL REGISTER – OFFSET 164h..... | 58 |
| 6.3.128 | VC0 RESOURCE STATUS REGISTER – OFFSET 168h..... | 58 |
| 6.3.129 | RESERVED REGISTERS – OFFSET 16Ch – 2FCh..... | 58 |
| 6.3.130 | EXTENDED GPIO DATA AND CONTROL REGISTER – OFFSET 300h..... | 58 |
| 6.3.131 | EXTENDED GPI/GPO DATA AND CONTROL REGISTER – OFFSET 304h..... | 58 |
| 6.3.132 | RESERVED REGISTERS – OFFSET 308h – 30Ch..... | 59 |
| 6.3.133 | REPLAY AND ACKNOWLEDGE LATENCY TIMERS – OFFSET 310h | 59 |
| 6.3.134 | RESERVED REGISTERS – OFFSET 314h – FFCh..... | 59 |
| 7 | GPIO PINS..... | 60 |
| 8 | CLOCK SCHEME..... | 61 |
| 9 | INTERRUPTS | 65 |
| 10 | EEPROM (I2C) INTERFACE AND SYSTEM MANAGEMENT BUS..... | 66 |
| 10.1 | EEPROM (I2C) INTERFACE..... | 66 |
| 10.2 | EEPROM AUTOLOAD CONFIGURATION | 66 |
| 11 | RESET SCHEME..... | 68 |
| 12 | IEEE 1149.1 COMPATIBLE JTAG CONTROLLER..... | 69 |
| 12.1 | INSTRUCTION REGISTER..... | 69 |
| 12.2 | BYPASS REGISTER | 69 |
| 12.3 | DEVICE ID REGISTER..... | 69 |
| 12.4 | BOUNDARY SCAN REGISTER | 70 |
| 12.5 | JTAG BOUNDARY SCAN REGISTER ORDER | 70 |
| 13 | POWER MANAGEMENT..... | 71 |
| 14 | POWER SEQUENCING | 72 |
| 14.1 | INITIAL POWER-UP (G3 TO L0)..... | 73 |
| 14.2 | POWER-OFF SEQUENCE..... | 74 |
| 15 | ELECTRICAL AND TIMING SPECIFICATIONS | 75 |
| 15.1 | ABSOLUTE MAXIMUM RATINGS | 75 |
| 15.2 | DC SPECIFICATIONS | 75 |
| 15.3 | AC SPECIFICATIONS | 76 |
| 15.4 | OPERATING AMBIENT TEMPERATURE..... | 77 |
| 16 | PACKAGE INFORMATION | 78 |
| 17 | ORDERING INFORMATION | 79 |

TABLE OF FIGURES

| | |
|--|----|
| FIGURE 1-1 PI7C9X118SL TOPOLOGY | 10 |
| FIGURE 4-1 FORWARD BRIDGE MODE | 19 |
| FIGURE 8-1 TOPOLOGY OF INTERNAL CLOCK GENERATOR AND INTERNAL CLOCK BUFFERING – INTERNAL FEEDBACK MODE | 62 |
| FIGURE 8-2 TOPOLOGY OF INTERNAL CLOCK GENERATOR AND INTERNAL CLOCK BUFFERING – EXTERNAL FEEDBACK MODE | 62 |
| FIGURE 8-3 TOPOLOGY OF EXTERNAL CLOCK GENERATOR AND INTERNAL CLOCK BUFFERING – INTERNAL FEEDBACK MODE | 63 |
| FIGURE 8-4 TOPOLOGY OF EXTERNAL CLOCK GENERATOR AND INTERNAL CLOCK BUFFERING – EXTERNAL FEEDBACK MODE | 63 |
| FIGURE 8-5 TOPOLOGY OF EXTERNAL CLOCK GENERATOR AND EXTERNAL CLOCK BUFFERING..... | 64 |
| FIGURE 14-1 TIMING SEQUENCE WITH UNDETERMINED I/O STATE | 72 |
| FIGURE 14-2 RECOMMENDED POWER SEQUENCE | 72 |
| FIGURE 14-3 INITIAL POWER-UP | 73 |
| FIGURE 15-1 PCI SIGNAL TIMING CONDITIONS | 76 |
| FIGURE 16-1 PACKAGE OUTLINE DRAWING | 78 |
| FIGURE 16-2 PART MARKING | 78 |

LIST OF TABLES

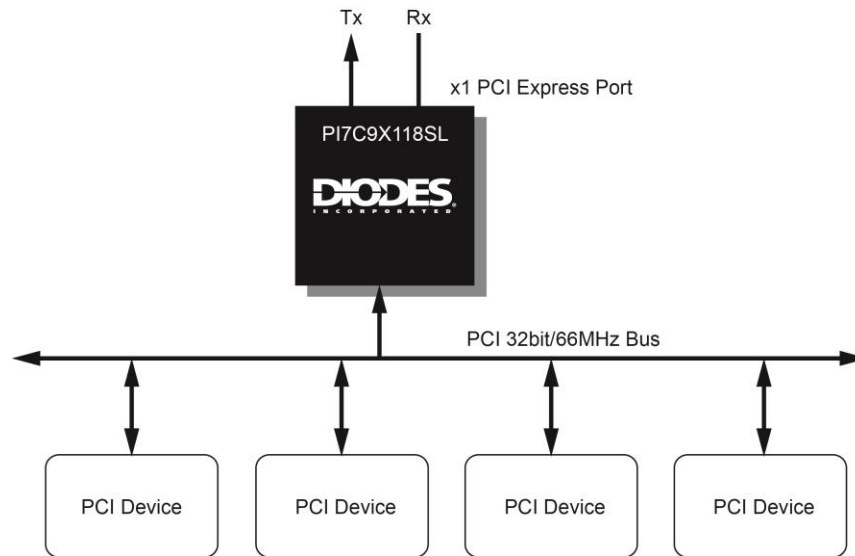
| | |
|---|----|
| TABLE 2-1 PIN ASSIGNMENTS..... | 16 |
| TABLE 3-1 MODE SELECTION | 17 |
| TABLE 3-2 PIN STRAPPING FOR CLOCK POWER MANAGEMENT | 17 |
| TABLE 5-1 TLP FORMAT | 20 |
| TABLE 6-1 CONFIGURATION REGISTER MAP (00H – FFH) | 21 |
| TABLE 6-2 PCI EXPRESS EXTENDED CAPABILITY REGISTER MAP (100H – FFFH) | 23 |
| TABLE 8-1 FREQUENCY OF PCI CLKOUT WITH INTERNAL CLOCK SOURCE:..... | 61 |
| TABLE 9-1 PCI INTERRUPT TO PCIe INTERRUPT MESSAGE MAPPING IN FORWARD BRIDGE MODE | 65 |
| TABLE 12-1 INSTRUCTION REGISTER CODES | 69 |
| TABLE 12-2 JTAG DEVICE ID REGISTER | 69 |
| TABLE 14-1 POWER SEQUENCING AND RESET SIGNAL TIMINGS..... | 73 |
| TABLE 15-1 ABSOLUTE MAXIMUM RATINGS..... | 75 |
| TABLE 15-2 DC ELECTRICAL CHARACTERISTICS | 75 |
| TABLE 15-3 PCI BUS TIMING PARAMETERS | 76 |
| TABLE 15-4 PCI EXPRESS INTERFACE - DIFFERENTIAL TRANSMITTER (TX) OUTPUT CHARACTERISTICS | 76 |
| TABLE 15-5 PCI EXPRESS INTERFACE - DIFFERENTIAL RECEIVER (RX) INPUT CHARACTERISTICS | 77 |
| TABLE 15-6 OPERATING AMBIENT TEMPERATURE | 77 |

This page intentionally left blank.

1 INTRODUCTION

PI7C9X118SL is a PCIe-to-PCI/PCI-X bridge. PI7C9X118SL is compliant with the *PCI Express Base Specification*, Revision 1.1, the *PCI Express Card Electromechanical Specification*, Revision 1.1, the *PCI Local Bus Specification*, Revision 3.0 and *PCI Express to PCI/PCI-X Bridge Specification*, Revision 1.0. PI7C9X118SL supports transparent mode operation and forward bridging. PI7C9X118SL has an x1 PCI Express upstream port and a 32-bit PCI downstream port. The 32-bit PCI downstream port is 66MHz capable (see Figure 1-1). PI7C9X118SL configuration registers are backward compatible with existing PCI bridge software and firmware. No modification of PCI bridge software and firmware is needed for the original operation.

Figure 1-1 PI7C9X118SL Topology



1.1 INDUSTRY SPECIFICATION COMPLIANCE

- Compliant with PCI Express Base Specification, Revision 1.1
- Compliant with PCI Express to PCI/PCI-X Bridge Specification, Revision 1.0
- Compliant with PCI Express Card Electromechanical Specification, Revision 1.0a
- Compliant with PCI-to-PCI Bridge Architecture Specification, Revision 1.2
- Compliant with PCI Local Bus Specification, Revision 3.0
- Compliant with PCI SHPC and Subsystem Specification, Revision 1.0
- Compliant with PCI Mobile Design Guide, Version 1.1
- Compliant with PCI Bus PM Interface Specification, Revision 1.2
- Compliant with Advanced Configuration and Power Interface Specification (ACPI), Revision 2.0b

1.2 GENERAL FEATURES

- Forward bridging (PCI Express as primary bus, PCI as secondary bus)
- x1 PCI Express interface (2.5Gb/s data rate)
- 32-bit PCI interface capable of 66MHz
- GPIO support (4 bi-directional pins). When external arbiter is used, 3 additional GPI (input) and GPO (output) pins
- Power Management (including ACPI, PCI_PM, CLKRUN_L and CLKREQ_L.)

- Transparent mode support
- Subtractive Decoding PCI-to-PCI bridge to support legacy device
- Masquerade support (user-defined vendor, device, revision, subsystem device, and subsystem vendor ID)
- EEPROM (I2C) Interface
- 8k byte buffer: 2K byte buffer for downstream memory read, 2K bytes for upstream memory read, and 2K byte buffer for memory write in both directions
- Auxiliary powers (VAUX, VDDAUX, VDDCAUX) support
- Power consumption less than 400mW in L0 mode and less than 180mW in L1 mode
- Commercial temperature range (0°C to 75°C)
- Totally Lead-Free & Fully RoHS Compliant (Notes 1 & 2)
- Halogen and Antimony Free. “Green” Device (Note 3)
- For automotive applications requiring specific change control (i.e. parts qualified to AEC-Q100/101/200, PPAP capable, and manufactured in IATF 16949 certified facilities), please [contact us](#) or your local Diodes representative. <https://www.diodes.com/quality/product-definitions/>

1.3 PCI EXPRESS FEATURES

- Physical Layer interface (x1 link with 2.5Gb/s data rate)
- Virtual Isochronous support (upstream TC1-7 generation, downstream TC1-7 mapping)
- CRC (16-bit), LCRC (32-bit)
- ECRC and advanced error reporting
- Lane polarity toggle
- ASPM support
- WAKE_L support
- Maximum payload size to 256 bytes
- CLKREQ_L support to disable Refclk at L1 and L2 state

1.4 PCI FEATURES

- Provides two level arbitration support for four PCI Bus masters
- 3.3V PCI signaling with 5V I/O tolerance
- PME_L support
- LOCK support
- 16-bit address decode for VGA
- Subsystem Vendor and Subsystem Device IDs support
- PCI INT interrupt or MSI Function support
- Adaptive fragmentation support for memory write
- Internal clock generator for PCI bus
- CLKRUN_L support to stop the PCI clock

Notes:

1. No purposely added lead. Fully EU Directive 2002/95/EC (RoHS), 2011/65/EU (RoHS 2) & 2015/863/EU (RoHS 3) compliant.
2. See <https://www.diodes.com/quality/lead-free/> for more information about Diodes Incorporated's definitions of Halogen- and Antimony-free, "Green" and Lead-free.
3. Halogen- and Antimony-free "Green" products are defined as those which contain <900ppm bromine, <900ppm chlorine (<1500ppm total Br + Cl) and <1000ppm antimony compounds.

2 PIN DEFINITIONS

2.1 SIGNAL TYPES

| Type of Signal | Description |
|----------------|--|
| B | Bi-directional |
| I | Input |
| IU | Input with pull-up |
| ID | Input with pull-down |
| IOD | Bi-directional with open drain output |
| OD | Open drain output |
| O | Output |
| P | Power |
| G | Ground |

“_L” in signal name indicates Active LOW signal

2.2 PCI EXPRESS SIGNALS

| NAME | PIN ASSIGNMENT | TYPE | DESCRIPTION |
|--------------------|----------------|------|---|
| REFCLKP REFCLKN | 13, 12 | I | Reference Clock Inputs: Connect to external 100MHz differential clock. These signals require AC coupled with 0.1uF capacitors. |
| RP RN | 21, 20 | I | PCI Express Data Inputs: Differential data receiver input signals |
| TP TN | 17, 16 | O | PCI Express Data Outputs: Differential data transmitter output signals |
| PERST_L | 29 | I | PCI Express Fundamental Reset (Active LOW): PI7C9X118SL The device uses this signal reset to initialize the internal state machines. |

2.3 PCI SIGNALS

| NAME | PIN ASSIGNMENT | TYPE | DESCRIPTION |
|------------|--|------|---|
| AD [31:0] | 125, 126, 124, 121, 122, 120, 119, 117, 113, 111, 110, 109, 108, 106, 103, 104, 90, 88, 86, 85, 83, 80, 79, 78, 75, 74, 71, 70, 68, 69, 67, 64 | B | Address / Data: Multiplexed address and data bus. Address phase is aligned with first clock of FRAME_L assertion. Data phase is aligned with IRDY_L or TRDY_L assertion. Data is transferred on rising edges of CLKOUT[0] when both IRDY_L and TRDY_L are asserted. During bus idle (both FRAME_L and IRDY_L are de-asserted), PI7C9X118SL drives AD to a valid logic level when arbiter is parking to PI7C9X118SL on PCI bus. |
| CBE_L[3:0] | 116, 99, 89, 76 | B | Command / Byte Enables (Active LOW): Multiplexed command at address phase and byte enable at data phase. During address phase, the initiator drives commands on CBE [3:0] signals to start the transaction. If the command is a write transaction, the initiator will drive the byte enables during data phase. Otherwise, the target will drive the byte enables during data phase. During bus idle, PI7C9X118SL drives CBE [3:0] signals to a valid logic level when arbiter is parking to PI7C9X118SL on PCI bus. |
| PAR | 94 | B | Parity Bit: Parity bit is an even parity (i.e. even number of 1's), which generates based on the values of AD [31:0], CBE [3:0]. If PI7C9X118SL is an initiator with a write transaction, PI7C9X118SL will tri-state PAR. If PI7C9X118SL is a target and a write transaction, PI7C9X118SL will drive PAR one clock after the address or data phase. If PI7C9X118SL is a target and a read transaction, PI7C9X118SL will drive PAR one clock after the address phase and tri-state PAR during data phases. PAR is tri-stated one cycle after the AD lines are tri-stated. During bus idle, PI7C9X118SL drives PAR to a valid logic level when arbiter is parking to PI7C9X118SL on PCI bus. |
| FRAME_L | 63 | B | FRAME (Active LOW): Driven by the initiator of a transaction to indicate the beginning and duration an access. The de-assertion of FRAME_L indicates the final data phase signaled by the initiator in burst transfers. Before being tri-stated, it is driven to a de-asserted state for one cycle. |
| IRDY_L | 97 | B | IRDY (Active LOW): Driven by the initiator of a transaction to indicate its ability to complete current data phase on the primary side. Once asserted in a data phase, it is not de-asserted until the end of the data phase. Before tri-stated, it is driven to a de-asserted state for one cycle. |

| NAME | PIN ASSIGNMENT | TYPE | DESCRIPTION |
|--------------------------------------|-------------------------|------|---|
| TRDY_L | 100 | B | TRDY (Active LOW): Driven by the target of a transaction to indicate its ability to complete current data phase on the primary side. Once asserted in a data phase, it is not de-asserted until the end of the data phase. Before tri-stated, it is driven to a de-asserted state for one cycle. |
| DEVSEL_L | 98 | B | Device Select (Active LOW): Asserted by the target indicating that the device is accepting the transaction. As a master, PI7C9X118SL waits for the assertion of this signal within 5 cycles of FRAME_L assertion; otherwise, terminate with master abort. Before tri-stated, it is driven to a de-asserted state for one cycle. |
| STOP_L | 96 | B | STOP (Active LOW): Asserted by the target indicating that the target is requesting the initiator to stop the current transaction. Before tri-stated, it is driven to a de-asserted state for one cycle. |
| LOCK_L | 93 | B | LOCK (Active LOW): Asserted by the initiator for multiple transactions to complete. PI7C9X118SL does not support any upstream LOCK transaction. |
| PERR_L | 92 | B | Parity Error (Active LOW): Asserted when a data parity error is detected for data received on the PCI bus interface. Before being tri-stated, it is driven to a de-asserted state for one cycle. |
| SERR_L | 61 | IOD | <p>System Error (Active LOW): Can be driven LOW by any device to indicate a system error condition. If SERR control is enabled, PI7C9X118SL will drive this pin on:</p> <ul style="list-style-type: none"> ▪ Address parity error ▪ Posted write data parity error on target bus ▪ Master abort during posted write transaction ▪ Target abort during posted write transaction ▪ Posted write transaction discarded ▪ Delayed write request discarded ▪ Delayed read request discarded ▪ Delayed transaction master timeout ▪ Errors reported from PCI Express port (advanced error reporting) in transparent mode. <p>This signal is an open drain buffer that requires an external pull-up resistor for proper operation.</p> |
| REQ_L [3:0] | 33, 34, 32, 31 | I | <p>Request (Active LOW): REQ_L's are asserted by bus master devices to request for transactions on the PCI bus. The master devices de-assert REQ_Ls for at least 2 PCI clock cycles before asserting them again. If external arbiter is selected, REQ_L [0] will be the bus grant input to PI7C9X118SL. Also, REQ_L [3:1] will become the GPI [2:0].</p> <p>When powered up, if both REQ_L[2] and REQ_L[3] and pulled low (Active LOW) and stay low in normal operation, the PI7C9X118SL will change the function of CLKOUT[3] to CLKRUN_L and CLKOUT[2] to CLKREQ_L, respectively.</p> |
| GNT_L [3:0] | 41, 39, 40, 37 | O | <p>Grant (Active LOW): PI7C9X118SL asserts GNT_Ls to release PCI bus control to bus master devices. During idle and all GNT_Ls are de-asserted and arbiter is parking to PI7C9X118SL, PI7C9X118SL will drive AD, CBE, and PAR to valid logic levels. If external arbiter is selected, GNT_L [0] will be the bus request from PI7C9X118SL to external arbiter. Also, GNT_L [3:1] will become the GPO [2:0].</p> |
| CLKOUT [3:0] | 49, 54, 56, 59 | B | <p>PCI Clock Outputs: PCI clock outputs are derived from the CLKIN and provide clocking signals to external PCI Devices. In external feedback mode, CLKOUT[0] becomes an input for feedback clock and CLKOUT[1:3] remain as clock outputs to provide clock signals to external PCI Devices. Please see Chapter 8 for further information.</p> |
| M66EN | 102 | I | <p>66MHz Enable: This input is used to specify if Bridge is capable of running at 66MHz. For 66MHz operation on the PCI bus, this signal should be pulled "HIGH". For 33MHz operation on the PCI bus, this signal should be pulled LOW.</p> |
| RESET_L | 46 | O | <p>RESET_L (Active LOW): When RESET_L active, all PCI signals should be asynchronously tri-stated.</p> |
| INTA_L INTB_L INTC_L INTD_L | 36, 43, 57, 60 | I | <p>Interrupt: Signals are asserted to request an interrupt. After asserted, it can be cleared by the device driver. INTA_L, INTB_L, INTC_L, INTD_L signals are inputs and asynchronous to the clock in the forward mode.</p> |
| CLKIN | 44 | I | <p>PCI Clock Input: PCI Clock Input Signal connects to an external clock source. The PCI Clock Outputs CLKOUT [3:0] pins are derived from CLKIN Input.</p> |

2.4 MODE SELECT AND STRAPPING SIGNALS

| NAME | PIN ASSIGNMENT | TYPE | DESCRIPTION |
|------|----------------|------|---|
| TM0 | 128 | ID | Mode Select 0: Mode Selection Pin for EEPROM (I ² C) operation. Set TM0=0 for EEPROM (I ² C) operation. TM0=1 is reserved. TM0 is a strapping pin. See Table 3-1 mode selection and Table 3-2 for strapping control. |
| TM1 | 23 | ID | Mode Select 1: Mode Selection Pin for normal operation. Set TM1=0 for normal operation. TM1=1 is reserved. TM1 is a strapping pin. See Table 3-1 mode selection and Table 3-2 for strapping control. |

2.5 JTAG BOUNDARY SCAN SIGNALS

| NAME | PIN ASSIGNMENT | TYPE | DESCRIPTION |
|------|----------------|------|--|
| TCK | 26 | IU | Test Clock: TCK is the test clock to synchronize the state information and data on the PCI bus side of PI7C9X118SL during boundary scan operation. At normal operation mode, this pin should be left open(NC). |
| TMS | 24 | IU | Test Mode Select: TMS controls the state of the Test Access Port (TAP) controller. At normal operation mode, this pin should be pulled low through a 1K-Ohm pull-down resistor. |
| TDO | 27 | O | Test Data Output: TDO is the test data output and connects to the end of the JTAG scan chain. At normal operation mode, this pin should be left open(NC). |
| TDI | 28 | IU | Test Data Input: TDI is the test data input and connects to the beginning of the JTAG scan chain. It allows the test instructions and data to be serially shifted into the PCI side of PI7C9X118SL. At normal operation mode, this pin should be left open(NC). |

2.6 MISCELLANEOUS SIGNALS

| NAME | PIN ASSIGNMENT | TYPE | DESCRIPTION |
|-----------------|----------------|------|--|
| GPIO [3:0] | 47, 48, 51, 52 | B | General Purpose I/O Data Pins: The 4 general-purpose signals are programmable as either input-only or bi-directional signals by writing the GPIO output enable control register in the configuration space. |
| SCL | 3 | B | EEPROM (I²C) Clock Pin: This pin is an output of SCL clock and connected to EEPROM clock input. |
| SDA | 5 | B | EEPROM (I²C) Data Pin: Data Interface Pin to EEPROM. |
| PME_L | 1 | I | Power Management Event Pin: Power Management Event Signal is asserted to request a change in the device or link power state. |
| WAKE_L | 4 | O | Wakeup Signal (Active LOW): This signal is asserted when PME_L pin is asserted and the link is in the L2 state |
| REXTP, REXTN | 8, 9 | I | External Precision Resistor: Connect an external resistor (1.43K Ohm +/- 1%) to provide a reference to both the bias currents and impedance calibration circuitry. |

2.7 POWER AND GROUND PINS

| NAME | PIN ASSIGNMENT | TYPE | DESCRIPTION |
|---------|--|------|--|
| VDDA | 15, 18 | P | Analog Voltage Supply for PCI Express Interface: Connect to the 1.1V – 1.2V Power Supply. |
| VDDA33 | 10 | | High Voltage Supply for PCI Express Interface: Connect to the 3.3V Power Supply. |
| VDDC | 30, 35, 45, 53, 62, 73, 81, 95, 105, 114, 127 | P | Core Supply Voltage: Connect to the 1.1V – 1.2V Power Supply. |
| VDDCAUX | 7 | P | Auxiliary Core Supply Voltage: Connect to the 1.1V – 1.2V Power Supply. |
| VD33 | 25, 38, 50, 55, 58, 66, 72, 77, 82, 87, 91, 101, 107, 112, 118, 123 | P | I/O Supply Voltage for PCI Interface: Connect to the 3.3V Power Supply for PCI I/O Buffers. |
| VAUX | 2 | P | Auxiliary I/O Supply Voltage for PCI interface: Connect to the 3.3V Power Supply. |

PI7C9X118SL

| NAME | PIN ASSIGNMENT | TYPE | DESCRIPTION |
|------|--|------|-----------------------------------|
| VSS | 6, 11, 14, 19, 22, 42, 65, 84, 115, 129 | P | Ground: Connect to Ground. |

2.8 PIN ASSIGNMENTS

Table 2-1 Pin Assignments

| PIN | NAME | PIN | NAME | PIN | NAME | PIN | NAME |
|-----|----------|-----|-----------|-----|----------|-----|--------|
| 1 | PME_L | 34 | REQ_L[2] | 67 | AD[1] | 100 | TRDY_L |
| 2 | VAUX | 35 | VDDC | 68 | AD[3] | 101 | VD33 |
| 3 | SCL | 36 | INTA_L | 69 | AD[2] | 102 | M66EN |
| 4 | WAKE_L | 37 | GNT_L[0] | 70 | AD[4] | 103 | AD[17] |
| 5 | SDA | 38 | VD33 | 71 | AD[5] | 104 | AD[16] |
| 6 | VSS | 39 | GNT_L[2] | 72 | VD33 | 105 | VDDC |
| 7 | VDDCAUX | 40 | GNT_L[1] | 73 | VDDC | 106 | AD[18] |
| 8 | REXTP | 41 | GNT_L[3] | 74 | AD[6] | 107 | VD33 |
| 9 | REXTN | 42 | VSS | 75 | AD[7] | 108 | AD[19] |
| 10 | VDDA33 | 43 | INTB_L | 76 | CBE[0] | 109 | AD[20] |
| 11 | VSS | 44 | CLKIN | 77 | VD33 | 110 | AD[21] |
| 12 | REFCLKN | 45 | VDDC | 78 | AD[8] | 111 | AD[22] |
| 13 | REFCLKP | 46 | RESET_L | 79 | AD[9] | 112 | VD33 |
| 14 | VSS | 47 | GPIO[3] | 80 | AD[10] | 113 | AD[23] |
| 15 | VDDA | 48 | GPIO[2] | 81 | VDDC | 114 | VDDC |
| 16 | TN | 49 | CLKOUT[3] | 82 | VD33 | 115 | VSS |
| 17 | TP | 50 | VD33 | 83 | AD[11] | 116 | CBE[3] |
| 18 | VDDA | 51 | GPIO[1] | 84 | VSS | 117 | AD[24] |
| 19 | VSS | 52 | GPIO[0] | 85 | AD[12] | 118 | VD33 |
| 20 | RN | 53 | VDDC | 86 | AD[13] | 119 | AD[25] |
| 21 | RP | 54 | CLKOUT[2] | 87 | VD33 | 120 | AD[26] |
| 22 | VSS | 55 | VD33 | 88 | AD[14] | 121 | AD[28] |
| 23 | TM1 | 56 | CLKOUT[1] | 89 | CBE[1] | 122 | AD[27] |
| 24 | TMS | 57 | INTC_L | 90 | AD[15] | 123 | VD33 |
| 25 | VD33 | 58 | VD33 | 91 | VD33 | 124 | AD[29] |
| 26 | TCK | 59 | CLKOUT[0] | 92 | PERR_L | 125 | AD[31] |
| 27 | TDO | 60 | INTD_L | 93 | LOCK_L | 126 | AD[30] |
| 28 | TDI | 61 | SERR_L | 94 | PAR | 127 | VDDC |
| 29 | PERST_L | 62 | VDDC | 95 | VDDC | 128 | TM0 |
| 30 | VDDC | 63 | FRAME_L | 96 | STOP_L | 129 | E_PAD |
| 31 | REQ_L[0] | 64 | AD[0] | 97 | IRDY_L | | |
| 32 | REQ_L[1] | 65 | VSS | 98 | DEVSEL_L | | |
| 33 | REQ_L[3] | 66 | VD33 | 99 | CBE[2] | | |

3 MODE SELECTION AND PIN STRAPPING

3.1 FUNCTIONAL MODE SELECTION

PI7C9X118SL uses TM1 and TM0 pins to select modes of operations. These input signals are required to be stable during normal operation. For normal operation mode, TM0 and TM1 must be set to logic value low (0). The valid value of the TM1 and TM0 pins is defined on Table 3-1:

Table 3-1 Mode Selection

| TM1 Strapped | TM0 Strapped | Functional Mode |
|--------------|--------------|----------------------|
| 0 | 0 | EEPROM (I2C) support |

3.2 PIN STRAPPING

When TM1 is strapped to low, PI7C9X118SL uses REQ_L[3:2] as the strapping pins at the PCIe PERST_L de-assertion to enable Clock Power Management feature.

Table 3-2 Pin Strapping for Clock Power Management

| TM1 Strapped | REQ_L[3:2] Strapped | Test Functions |
|--------------|---------------------|--|
| 0 | 2'b0 | Clock Power Management is enabled, only two PCI devices supported. CLKOUT[2] is used as CLKREQ_L CLKOUT[3] is used as CLKRUN_L |

4 TRANSPARENT AND FORWARD BRIDGING

4.1 TRANSPARENT MODE

In transparent bridge mode, base class code of PI7C9X118SL is set to be 06h (bridge device). The sub-class code is set to be 04h (PCI-to-PCI bridge). Programming interface is set to either 00h or 01h. If this interface is set to 00h, subtractive decoding is not supported. If it is set to 01h, legacy support is enabled and subtractive decoding is supported.

When Subtractive Decoding PCI-to-PCI bridge is enabled by setting the legacy bit (bit 0 of offset 98h), all cycles (Memory/IO) are forwarded to downstream PCI devices. However, the Type-1 configuration cycle still should be checked for the bus number in order to be forwarded to PCI bus. The PCI-X/PCIe capability is not included in the Capability List and all PCI-X/PCIe capability registers and Extended Configuration registers are treated as reserved registers. As a result, all Write accesses are completed normally but data is discarded, and all Read accesses are returned with data value of 0.

When PCI bus Subtractive Decoding Enable bit (bit 1 of 98h) is set, the device performs subtractive decode at PCI bus when the cycle is outside the range (negative decoding is used).

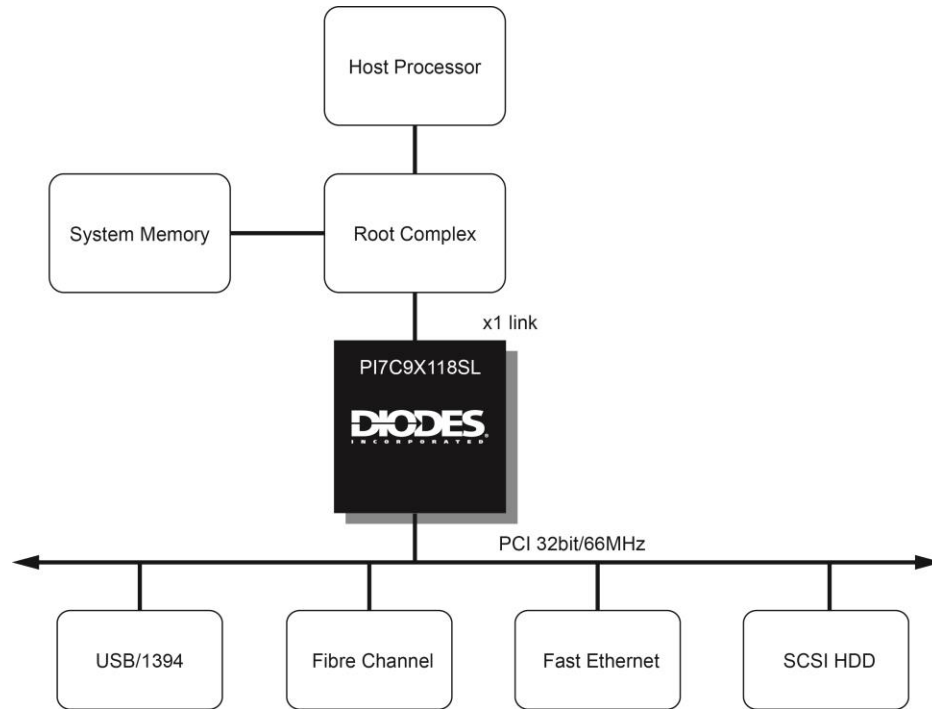
PI7C9X118SL has type-1 configuration header. These configuration registers are the same as traditional transparent PCI-to-PCI Bridge. In fact, it is backward compatible to the software that supporting traditional transparent PCI-to-PCI bridges. Configuration registers can be accessed from several different ways. For PCI Express access, PCI Express configuration transaction is in forward bridge mode. For I2C access, I2C bus protocol is used with EEPROM selected (TM0=0).

4.2 FORWARD BRIDGE

PI7C9X118SL supports forward mode of bridging. In forward bridging mode, its PCI Express interface is connected to a root complex and its PCI bus interface is connected to PCI devices.

PCI based systems and peripherals are ubiquitous in the I/O interconnect technology market today. It will be a tremendous effort to convert existing PCI based products to be used in PCI Express systems. PI7C9X118SL provides a solution to bridge existing PCI based products to the latest PCI Express technology.

Figure 4-1 Forward Bridge Mode



5 PCI EXPRESS FUNCTIONAL OVERVIEW

5.1 TLP STRUCTURE

PCI Express TLP (Transaction Layer Packet) Structure is comprised of format, type, traffic class, attributes, TLP digest, TLP poison, and length of data payload.

There are four TLP formats defined in PI7C9X118SL based on the states of FMT [1] and FMT [0] as shown on Table 5-1 .

Table 5-1 TLP Format

| FMT [1] | FMT [0] | TLP Format |
|---------|---------|-----------------------------|
| 0 | 0 | 3 double word, without data |
| 0 | 1 | 4 double word, without data |
| 1 | 0 | 3 double word, with data |
| 1 | 1 | 4 double word, with data |

Data payload of PI7C9X118SL can range from 4 (1DW) to 256 (64DW) bytes. PI7C9X118SL supports three TLP routing mechanisms. They are comprised of Address, ID, and Implicit routings. Address routing is being used for Memory and IO requests. ID based (bus, device, function numbers) routing is being used for configuration requests. Implicit routing is being used for message routing. There are two message groups (baseline and advanced switching). The baseline message group contains INTx interrupt signaling, power management, error signaling, locked transaction support, slot power limit support, vendor defined messages, hot-plug signaling. The other is advanced switching support message group. The advanced switching support message contains data packet and signal packet messages. Advanced switching is beyond the scope of PI7C9X118SL implementation.

The r [2:0] values of the "type" field will determine the destination of the message to be routed. All baseline messages must use the default traffic class zero (TC0).

5.2 VIRTUAL ISOCHRONOUS OPERATION

This section provides a summary of Virtual Isochronous Operation supported by PI7C9X118SL. Virtual Isochronous support is disabled by default. Virtual Isochronous feature can be turned on with setting bit [26] of offset 40h to one. Control bits are designated for selecting which traffic class (TC1-7) to be used for upstream (PCI -to-PCI Express). PI7C9X118SL accepts only TC0 packets of configuration, IO, and message packets for downstream (PCI Express-to-PCI). If configuration, IO and message packets have traffic class other than TC0, PI7C9X118SL will treat them as malformed packets. PI7C9X118SL maps all downstream memory packets from PCI Express to PCI transactions regardless the virtual Isochronous operation is enabled or not.

6 CONFIGURATION REGISTER ACCESS

PI7C9X118SL supports Type-0 and Type-1 configuration space headers and Capability ID of 01h (PCI power management) to 10h (PCI Express capability structure).

PI7C9X118SL supports PCI Express capabilities register structure with capability version set to 1h (bit [3:0] of offset 02h).

6.1 CONFIGURATION REGISTER MAP

PI7C9X118SL supports capability pointer with PCI power management (ID=01h), PCI bridge sub-system vendor ID (ID=0Dh), PCI Express (ID=10h), and message signaled interrupt (ID=05h).

Table 6-1 Configuration Register Map (00h – FFh)

| Primary Bus Configuration Access or Secondary Bus Configuration Access | PCI Configuration Register Name (type1) | EEPROM (I2C) Access |
|---|--|------------------------|
| 01h - 00h | Vendor ID | Yes1 |
| 03h - 02h | Device ID | Yes1 |
| 05h - 04h | Command Register | Yes |
| 07h - 06h | Primary Status Register | Yes |
| 0Bh - 08h | Class Code and Revision ID | Yes1 |
| 0Ch | Cacheline Size Register | Yes |
| 0Dh | Primary Latency Timer | Yes |
| 0Eh | Header Type Register | Yes |
| 0Fh | Reserved | - |
| 17h - 10h | Reserved | - |
| 18h | Primary Bus Number Register | Yes |
| 19h | Secondary Bus Number Register | Yes |
| 1Ah | Subordinate Bus Number Register | Yes |
| 1Bh | Secondary Latency Timer | Yes |
| 1Ch | I/O Base Register | Yes |
| 1Dh | I/O Limit Register | Yes |
| 1Fh - 1Eh | Secondary Status Register | Yes |
| 21h - 20h | Memory Base Register | Yes |
| 23h - 22h | Memory Limit Register | Yes |
| 25h - 24h | Prefetchable Memory Base Register | Yes |
| 27h - 26h | Prefetchable Memory Limit Register | Yes |
| 2Bh - 28h | Prefetchable Memory Base Upper 32-bit Register | Yes |
| 2Dh - 2Ch | Prefetchable Memory Limit Upper 32-bit Register | Yes |
| 2Fh - 2Eh | Prefetchable Memory Limit Upper 32-bit Register | Yes |
| 31h - 30h | I/O Base Upper 16-bit Register | Yes |
| 33h - 32h | I/O Limit Upper 16-bit Register | Yes |
| 34h | Capability Pointer | Yes |
| 37h - 35h | Reserved | No |
| 3Bh - 38h | Reserved | No |
| 3Ch | Interrupt Line | Yes |
| 3Dh | Interrupt Pin | Yes |
| 3Fh - 3Eh | Bridge Control | Yes |
| 41h - 40h | PCI Data Prefetching Control | Yes |
| 43h - 42h | Chip Control 0 | Yes |
| 47h - 44h | Reserved | - |
| 4Bh - 48h | Arbiter Mode, Enable, Priority | - |
| 4Fh - 4Ch | Reserved | - |
| 53h - 50h | Memory Readsmart Base Lower 32-Bit Register 1 | Yes |
| 57h - 54h | Memory Readsmart Base Upper 32-Bit Register 1 | Yes |
| 5Bh - 58h | Memory Readsmart Range Control Register 1 | Yes |
| 5Fh - 5Ch | Memory Readsmart Memory Base Lower 32-Bit Register 2 | Yes |
| 63h - 60h | Memory Readsmart Base Upper 32-Bit Register 2 | Yes |
| 67h - 64h | Memory Readsmart Range Size Register 2 | Yes |

| Primary Bus Configuration Access or Secondary Bus Configuration Access | PCI Configuration Register Name (type1) | EEPROM (I2C) Access |
|--|---|---------------------|
| 6Ah – 68h | Reserved | Yes |
| 6Bh | Upstream Memory Read/Write Control | Yes |
| 6Fh – 6Ch | PHY TX/RX Control | Yes |
| 73h – 70h | EEPROM (I2C) Control and Status Register | No |
| 77h – 74h | Reserved | - |
| 7Bh – 78h | GPIO Data and Control | Yes |
| 7Ch – 7Ch | Reserved | - |
| 83h – 80h | PCI-X Capability | Yes |
| 87h – 84h | PCI-X Bridge Status | Yes |
| 8Bh – 88h | Upstream Split Transaction | Yes |
| 8Fh – 8Ch | Downstream Split Transaction | Yes |
| 93h – 90h | Power Management Capability | Yes |
| 97h – 94h | Power Management Control and Status | Yes |
| 98h | Subtractive Decoding PCI-to-PCI Bridge Enable | Yes |
| 9Bh – 99h | Reserved | - |
| 9Fh – 9Ch | Reserved | - |
| A3h – A0h | Slot ID Capability | Yes |
| A5h – A4h | Secondary Clock and CLKRUN Control | Yes |
| A6h | XPIP Configuration Register 3 | |
| A7h | Reserved | Yes |
| A9h – A8h | Subsystem ID and Subsystem Vendor ID Capability | Yes |
| ABh – AAh | Reserved | |
| AFh – ACh | Subsystem ID and Subsystem Vendor ID | Yes |
| B3h – B0h | PCI Express Capability | Yes |
| B7h – B4h | Device Capability | Yes |
| BBh – B8h | Device Control and Status | Yes |
| BFh – BCh | Link Capability | Yes |
| C3h – C0h | Link Control and Status | Yes |
| CBh – C4h | Reserved | - |
| CFh – CCh | XPIP Configuration Register 0 | Yes |
| D3h – D0h | XPIP Configuration Register 1 | Yes |
| D6h – D4h | XPIP Configuration Register 2 | Yes |
| D7h | Reserved | - |
| DBh – D8h | VPD Capability Register | Yes |
| DFh – DCh | VPD Data Register | Yes ³ |
| E3h – E0h | Extended Config Access Address | Yes |
| E7h – E4h | Extended Config Access Data | Yes |
| EBh – E8h | Reserved | - |
| EFh – ECh | Reserved | - |
| F3h – F0h | MSI Capability Register | Yes |
| F7h – F4h | Message Address | Yes |
| FBh – F8h | Message Upper Address | Yes |
| FFh – FCh | Message Data | Yes |

Note 1: When masquerade is enabled, it is pre-loadable.

Note 2: Read access only.

Note 3: The VPD data is read/write through I2C during VPD operation.

6.2 PCI EXPRESS EXTENDED CAPABILITY REGISTER MAP

PI7C9X118SL also supports PCI Express Extended Capabilities with from 257-byte to 4096-byte space. The offset range is from 100h to FFFh. The offset 100h is defined for Advance Error Reporting (ID=0001h). The offset 150h is defined for Virtual Channel (ID=0002h).

When Subtractive Decoding PCI-to-PCI bridge is enabled, the PCI-X/PCIe capability is not included in the Capability List and all PCI-X/PCIe capability registers and Extended Configuration registers are treated as reserved registers.

Table 6-2 PCI Express Extended Capability Register Map (100h – FFFh)

| Primary Bus Configuration Access or Secondary Bus Configuration Access | Transparent Mode (type1) | EEPROM (I2C) Access |
|--|---|---------------------|
| 103h – 100h | Advanced Error Reporting (AER) Capability | Yes |
| 107h – 104h | Uncorrectable Error Status | No |
| 10Bh – 108h | Uncorrectable Error Mask | Yes |
| 10Fh – 10Ch | Uncorrectable Severity | No |
| 113h – 110h | Correctable Error Status | No |
| 117h – 114h | Correctable Error Mask | No |
| 11Bh – 118h | AER Capabilities and Control | No |
| 12Bh – 11Ch | Header Log Registers | No |
| 12Fh – 12Ch | Secondary Uncorrectable Error Status | No |
| 133h – 130h | Secondary Uncorrectable Error Mask | No |
| 137h – 134h | Secondary Uncorrectable Severity | No |
| 13Bh – 138h | Secondary AER Capability and Control | No |
| 14Bh – 13Ch | Secondary Header Log Register | No |
| 14Fh – 14Ch | Reserved | No |
| 153h – 150h | VC Capability | No |
| 157h – 154h | Port VC Capability 1 | No |
| 15Bh – 158h | Port VC Capability 2 | No |
| 15Fh – 15Ch | Port VC Status and Control | No |
| 163h – 160h | VC0 Resource Capability | No |
| 167h – 164h | VC0 Resource Control | No |
| 16Bh – 168h | VC0 Resource Status | No |
| 2FFh – 16Ch | Reserved | No |
| 303h – 300h | Extended GPIO Data and Control | No |
| 307h – 304h | Extended GPI/GPO Data and Control | No |
| 30Fh – 308h | Reserved | No |
| 310h | Replay and Acknowledge Latency Timer | Yes |
| FFFh – 314h | Reserved | No |

Note 5: Read access only.

6.3 PCI CONFIGURATION REGISTERS

The following section describes the configuration space when the device is in transparent mode. The descriptions for different register type are listed as follow:

| Register Type | Descriptions |
|---------------|------------------------------------|
| RO | Read Only |
| ROS | Read Only and Sticky |
| RW | Read/Write |
| RWC | Read/Write “1” to clear |
| RWS | Read/Write and Sticky |
| RWCS | Read/Write “1” to clear and Sticky |

6.3.1 VENDOR ID – OFFSET 00h

| BIT | FUNCTION | TYPE | DESCRIPTION |
|------|-----------|------|---|
| 15:0 | Vendor ID | RO | Identifies Pericom as the vendor of this device. Returns 12D8h when read. |

6.3.2 DEVICE ID – OFFSET 00h

| BIT | FUNCTION | TYPE | DESCRIPTION |
|-------|-----------|------|--|
| 31:16 | Device ID | RO | Identifies this device as the PI7C9X118SL. Returns E113 when read. |

6.3.3 COMMAND REGISTER – OFFSET 04h

| BIT | FUNCTION | TYPE | DESCRIPTION |
|-------|------------------------------------|------|--|
| 0 | I/O Space Enable | RW | 0: Ignore I/O transactions on the primary interface 1: Enable response to memory transactions on the primary interface Reset to 0 |
| 1 | Memory Space Enable | RW | 0: Ignore memory read transactions on the primary interface 1: Enable memory read transactions on the primary interface Reset to 0 |
| 2 | Bus Master Enable | RW | 0: Do not initiate memory or I/O transactions on the primary interface and disable response to memory and I/O transactions on the secondary interface 1: Enable the bridge to operate as a master on the primary interfaces for memory and I/O transactions forwarded from the secondary interface. Reset to 0 |
| 3 | Special Cycle Enable | RO | 0: PI7C9X118SL does not respond as a target to Special Cycle transactions, so this bit is defined as Read-Only and must return 0 when read Reset to 0 |
| 4 | Memory Write and Invalidate Enable | RO | 0: PI7C9X118SL does not originate a Memory Write and Invalidate transaction. Implements this bit as Read-Only and returns 0 when read (unless forwarding a transaction for another master). Reset to 0 |
| 5 | VGA Palette Snoop Enable | RO | VGA Palette Snoop Enable is not supported. Reset to 0 |
| 6 | Parity Error Response Enable | RW | 0: May ignore any parity error that is detected and take its normal action 1: This bit if set, enables the setting of Master Data Parity Error bit in the Status Register when poisoned TLP received or parity error is detected and takes its normal action Reset to 0 |
| 7 | Wait Cycle Control | RO | Wait Cycle Control is not supported. Reset to 0 |
| 8 | SERR_L Enable Bit | RW | 0: Disable 1: Enable PI7C9X118SL in forward bridge mode to report non-fatal or fatal error message to the Root Complex. Reset to 0 |
| 9 | Fast Back-to-Back Enable | RO | Fast Back-to-back Enable is not supported Reset to 0 |
| 10 | Interrupt Disable | RW | 0: INTA_L can be asserted on PCI interface 1: Prevent INTA_L from being asserted on PCI interface Reset to 0 |
| 15:11 | Reserved | RO | Reset to 00000 |

6.3.4 PRIMARY STATUS REGISTER – OFFSET 04h

| BIT | FUNCTION | TYPE | DESCRIPTION |
|-------|-------------------------|------|--|
| 19:16 | Reserved | RO | Reset to 0000 |
| 20 | Capability List Capable | RO | 0: PI7C9X118SL does not support the capability list 1: PI7C9X118SL supports the capability list (offset 34h in the pointer to the data structure) Reset to 1 |
| 21 | 66MHz Capable | RO | 1: 66MHz capable Reset to 0 |
| 22 | Reserved | RO | Reset to 0 |

| BIT | FUNCTION | TYPE | DESCRIPTION |
|-------|-----------------------------------|------|---|
| 23 | Fast Back-to-Back Capable | RO | 1: Enable fast back-to-back transactions Reset to 0 |
| 24 | Master Data Parity Error Detected | RWC | This bit is set if its Parity Error Enable bit is set and either of the conditions occurs on the primary: <ul style="list-style-type: none"> Receives a completion marked poisoned Poisons a write request Reset to 0 |
| 26:25 | DEVSEL_L Timing (medium decode) | RO | DEVSEL_L Timing is not supported. Reset to 00 |
| 27 | Signaled Target Abort | RWC | This bit is set when PI7C9X118SL completes a request using completer abort status on the primary Reset to 0 |
| 28 | Received Target Abort | RWC | This bit is set when PI7C9X118SL receives a completion with completer abort completion status on the primary Reset to 0 |
| 29 | Received Master Abort | RWC | This bit is set when PI7C9X118SL receives a completion with Unsupported Request Completion Status on the primary Reset to 0 |
| 30 | Signaled System Error | RWC | This bit is set when PI7C9X118SL sends an ERR_FATAL or ERR_NON_FATAL message on the primary Reset to 0 |
| 31 | Detected Parity Error | RWC | This bit is set when poisoned TLP is detected on the primary Reset to 0 |

6.3.5 REVISION ID REGISTER – OFFSET 08h

| BIT | FUNCTION | TYPE | DESCRIPTION |
|-----|-------------|------|--------------------|
| 7:0 | Revision ID | RO | Reset to 00000000h |

6.3.6 CLASS CODE REGISTER – OFFSET 08h

| BIT | FUNCTION | TYPE | DESCRIPTION |
|-------|-----------------------|------|---|
| 15:8 | Programming Interface | RO | 00000000: Subtractive decoding of PCI-PCI bridge is not supported 00000001: Subtractive decoding of PCI-PCI bridge is supported RO as 00000000 when legacy bit (bit 0 of offset 98h) is clear, and 00000001 when legacy bit is set. |
| 23:16 | Sub-Class Code | RO | Sub-Class Code 00000100: PCI-to-PCI bridge Reset to 00000100 |
| 31:24 | Base Class Code | RO | Base class code 00000110: Bridge Device Reset to 00000110 |

6.3.7 CACHE LINE SIZE REGISTER – OFFSET 0Ch

| BIT | FUNCTION | TYPE | DESCRIPTION |
|-----|----------|------|-------------------------|
| 1:0 | Reserved | RO | Bit [1:0] not supported |

| BIT | FUNCTION | TYPE | DESCRIPTION |
|-----|-----------------|------|--|
| | | | Reset to 00 |
| 2 | Cache Line Size | RW | 1: Cache line size = 4 double words Reset to 0 |
| 3 | Cache Line Size | RW | 1: Cache line size = 8 double words Reset to 0 |
| 4 | Cache Line Size | RW | 1: Cache line size = 16 double words Reset to 0 |
| 5 | Cache Line Size | RW | 1: Cache line size = 32 double words Reset to 0 |
| 7:6 | Reserved | RO | Bit [7:6] not supported Reset to 00 |

6.3.8 PRIMARY LATENCY TIMER REGISTER – OFFSET 0Ch

| BIT | FUNCTION | TYPE | DESCRIPTION |
|------|-----------------------|------|--|
| 15:8 | Primary Latency Timer | RO | 8 bits of primary latency timer in PCI bus Reset to 00h |

6.3.9 HEADER TYPE REGISTER – OFFSET 0Ch

| BIT | FUNCTION | TYPE | DESCRIPTION |
|-------|---------------------------------|------|--|
| 22:16 | PCI-to-PCI Bridge Configuration | RO | PCI-to-PCI bridge configuration (10 – 3Fh) Reset to 0000001 |
| 23 | Single Function Device | RO | 0: Indicates single function device 1: Indicates multiple function device Reset to 0 |
| 31:24 | BIST | RO | Reset to 00h |

6.3.10 RESERVED REGISTERS – OFFSET 10h TO 17h

6.3.11 PRIMARY BUS NUMBER REGISTER – OFFSET 18h

| BIT | FUNCTION | TYPE | DESCRIPTION |
|-----|--------------------|------|--------------|
| 7:0 | Primary Bus Number | RW | Reset to 00h |

6.3.12 SECONDARY BUS NUMBER REGISTER – OFFSET 18h

| BIT | FUNCTION | TYPE | DESCRIPTION |
|------|----------------------|------|--------------|
| 15:8 | Secondary Bus Number | RW | Reset to 00h |

6.3.13 SUBORDINATE BUS NUMBER REGISTER – OFFSET 18h

| BIT | FUNCTION | TYPE | DESCRIPTION |
|-------|------------------------|------|--------------|
| 23:16 | Subordinate Bus Number | RW | Reset to 00h |

6.3.14 SECONDARY LATENCY TIME REGISTER – OFFSET 18h

| BIT | FUNCTION | TYPE | DESCRIPTION |
|-------|-------------------------|------|--------------|
| 31:24 | Secondary Latency Timer | RW | Reset to 40h |

6.3.15 I/O BASE REGISTER – OFFSET 1Ch

| BIT | FUNCTION | TYPE | DESCRIPTION |
|-----|-------------------------------|------|---|
| 1:0 | 32-bit I/O Addressing Support | RO | 01: Indicates PI7C9X118SL supports 32-bit I/O addressing Reset to 01 |
| 3:2 | Reserved | RO | Reset to 00 |
| 7:4 | I/O Base | RW | Indicates the I/O base (0000_0000h) Reset to 0000 |

6.3.16 I/O LIMIT REGISTER – OFFSET 1Ch

| BIT | FUNCTION | TYPE | DESCRIPTION |
|-------|-------------------------------|------|---|
| 9:8 | 32-bit I/O Addressing Support | RO | 01: Indicates PI7C9X118SL supports 32-bit I/O addressing Reset to 01 |
| 11:10 | Reserved | RO | Reset to 00 |
| 15:12 | I/O Limit | RW | Indicates the I/O Limit (0000_0FFFh) Reset to 0000 |

6.3.17 SECONDARY STATUS REGISTER – OFFSET 1Ch

| BIT | FUNCTION | TYPE | DESCRIPTION |
|-------|-----------------------------------|------|--|
| 20:16 | Reserved | RO | Reset to 00000 |
| 21 | 66MHz Capable | RO | Indicates PI7C9X118SL is 66MHz capable Reset to 1 |
| 22 | Reserved | RO | Reset to 0 |
| 23 | Fast Back-to-Back Capable | RO | 1: Indicates PI7C9X118SL supports Fast Back-to-Back Capable Reset to 1 |
| 24 | Master Data Parity Error Detected | RWC | This bit is set if its parity error enable bit is set and either of the conditions occur on the primary: <ul style="list-style-type: none"> Detected parity error when receiving data or split response for read Observes S_PERR_L asserted when sending data or receiving split response for write Receives a split completion message indicating data parity error occurred for non-posted write Reset to 0 |
| 26:25 | DEVSEL_L Timing (medium decoding) | RO | 01: medium DEVSEL_L decoding Reset to 01 |
| 27 | Signaled Target Abort | RWC | This bit is set when PI7C9X118SL signals target abort on the secondary interface. Reset to 0 |
| 28 | Received Target Abort | RWC | This bit is set when PI7C9X118SL detects target abort on the secondary interface. Reset to 0 |
| 29 | Received Master Abort | RWC | This bit is set when PI7C9X118SL detects master abort on the secondary interface. Reset to 0 |
| 30 | Received System Error | RWC | This bit is set when PI7C9X118SL detects SERR_L assertion on the secondary interface. Reset to 0 |

| BIT | FUNCTION | TYPE | DESCRIPTION |
|-----|-----------------------|------|---|
| 31 | Detected Parity Error | RWC | This bit is set when PI7C9X118SL detects address or data parity error on the secondary interface. Reset to 0 |

6.3.18 MEMORY BASE REGISTER – OFFSET 20h

| BIT | FUNCTION | TYPE | DESCRIPTION |
|------|-------------|------|--|
| 3:0 | Reserved | RO | Reset to 0000 |
| 15:4 | Memory Base | RW | Memory Base (00000000h) Reset to 000h |

6.3.19 MEMORY LIMIT REGISTER – OFFSET 20h

| BIT | FUNCTION | TYPE | DESCRIPTION |
|-------|--------------|------|--|
| 19:16 | Reserved | RO | Reset to 0000 |
| 31:20 | Memory Limit | RW | Memory Limit (000FFFFh) Reset to 000h |

6.3.20 PREFETCHABLE MEMORY BASE REGISTER – OFFSET 24h

| BIT | FUNCTION | TYPE | DESCRIPTION |
|------|---------------------------|------|---|
| 3:0 | 64-bit Addressing Support | RO | 0001: Indicates PI7C9X118SL supports 64-bit addressing Reset to 0001 |
| 15:4 | Prefetchable Memory Base | RW | Prefetchable Memory Base (00000000h) Reset to 000h |

6.3.21 PREFETCHABLE MEMORY LIMIT REGISTER – OFFSET 24h

| BIT | FUNCTION | TYPE | DESCRIPTION |
|-------|---------------------------|------|---|
| 19:16 | 64-bit Addressing Support | RO | 0001: Indicates PI7C9X118SL supports 64-bit addressing Reset to 0001 |
| 31:20 | Prefetchable Memory Limit | RW | Prefetchable Memory Limit (000FFFFh) Reset to 000h |

6.3.22 PREFETCHABLE BASE UPPER 32-BIT REGISTER – OFFSET 28h

| BIT | FUNCTION | TYPE | DESCRIPTION |
|------|--------------------------------|------|--|
| 31:0 | Prefetchable Base Upper 32-bit | RW | Bit [63:32] of prefetchable base Reset to 00000000h |

6.3.23 PREFETCHABLE LIMIT UPPER 32-BIT REGISTER – OFFSET 2Ch

| BIT | FUNCTION | TYPE | DESCRIPTION |
|------|---------------------------------|------|---|
| 31:0 | Prefetchable Limit Upper 32-bit | RW | Bit [63:32] of prefetchable limit Reset to 00000000h |

6.3.24 I/O BASE UPPER 16-BIT REGISTER – OFFSET 30h

| BIT | FUNCTION | TYPE | DESCRIPTION |
|------|-----------------------|------|---|
| 15:0 | I/O Base Upper 16-bit | RW | Bit [31:16] of I/O Base Reset to 0000h |

6.3.25 I/O LIMIT UPPER 16-BIT REGISTER – OFFSET 30h

| BIT | FUNCTION | TYPE | DESCRIPTION |
|-------|------------------------|------|--|
| 31:16 | I/O Limit Upper 16-bit | RW | Bit [31:16] of I/O Limit Reset to 0000h |

6.3.26 CAPABILITY POINTER – OFFSET 34h

| BIT | FUNCTION | TYPE | DESCRIPTION |
|------|--------------------|------|---|
| 7:0 | Capability Pointer | RO | Capability pointer Reset to 80h (RO as 90h in Legacy Mode to by pass PCI-X capability) |
| 31:8 | Reserved | RO | Reset to 0 |

6.3.27 EXPANSION ROM BASE ADDRESS REGISTER – OFFSET 38h

| BIT | FUNCTION | TYPE | DESCRIPTION |
|------|----------------------------|------|---|
| 31:0 | Expansion ROM Base Address | RO | Expansion ROM is not supported. Reset to 00000000h |

6.3.28 INTERRUPT LINE REGISTER – OFFSET 3Ch

| BIT | FUNCTION | TYPE | DESCRIPTION |
|-----|----------------|------|--|
| 7:0 | Interrupt Line | RW | For initialization code to program to tell which input of the interrupt controller the PI7C9X118SL's INTA_L is connected to. Reset to 00h |

6.3.29 INTERRUPT PIN REGISTER – OFFSET 3Ch

| BIT | FUNCTION | TYPE | DESCRIPTION |
|------|---------------|------|---|
| 15:8 | Interrupt Pin | RO | Designates interrupt pin, INTA_L, is used Reset to 01h |

6.3.30 BRIDGE CONTROL REGISTER – OFFSET 3Ch

| BIT | FUNCTION | TYPE | DESCRIPTION |
|-----|------------------------------|------|--|
| 16 | Parity Error Response Enable | RW | 0: Ignore parity errors on the secondary 1: Enable parity error detection on secondary Controls the response to uncorrectable address attribute and data errors on the secondary Reset to 0 |
| 17 | SERR_L Enable | RW | 0: Disable the forwarding of SERR_L to ERR_FATAL and ERR_NONFATAL 1: Enable the forwarding of SERR_L to ERR_FATAL and ERR_NONFATAL Reset to 0 |

| BIT | FUNCTION | TYPE | DESCRIPTION |
|-------|-----------------------------|------|---|
| 18 | ISA Enable | RW | 0: Forward downstream all I/O addresses in the address range defined by the I/O Base and Limit registers 1: Forward upstream all I/O addresses in the address range defined by the I/O Base and Limit registers that are in the first 64KB of PCI I/O address space (top 768 bytes of each 1KB block) Reset to 0 |
| 19 | VGA Enable | RW | 0: Do not forward VGA compatible memory and I/O addresses from the primary to secondary, unless they are enabled for forwarding by the defined I/O and memory address ranges 1: Forward VGA compatible memory and I/O addresses from the primary and secondary (if the I/O enable and memory enable bits are set), independent of the ISA enable bit Reset to 0 |
| 20 | VGA 16-bit Decode | RW | 0: Execute 10-bit address decodes on VGA I/O accesses 1: Execute 16-bit address decode on VGA I/O accesses Reset to 0 |
| 21 | Master Abort Mode | RW | 0: Do not report master aborts (return FFFFFFFFh on reads and discards data on write) 1: Report master abort by signaling target abort if possible or by the assertion of SERR_L (if enabled). Reset to 0 |
| 22 | Secondary Interface Reset | RW | 0: Do not force the assertion of RESET_L on secondary PCI bus 1: Force the assertion of RESET_L on secondary PCI bus Reset to 0 |
| 23 | Fast Back-to-Back Enable | RO | Fast back-to-back is not supported Reset to 0 |
| 24 | Primary Master Timeout | RW | 0: Primary discard timer counts 2 ¹⁵ PCI clock cycles 1: Primary discard timer counts 2 ¹⁰ PCI clock cycles This bit is ignored by the PI7C9X118SL Reset to 0 |
| 25 | Secondary Master Timeout | RW | 0: Secondary discard timer counts 2 ¹⁵ PCI clock cycles 1: Secondary discard timer counts 2 ¹⁰ PCI clock cycles Reset to 0 |
| 26 | Master Timeout Status | RWC | This bit is set when the discard timer expires and a delayed completion is discarded at the PCI interface Reset to 0 |
| 27 | Discard Timer SERR_L Enable | RW | This bit is set to enable to generate ERR_NONFATAL or ERR_FATAL as a result of the expiration of the discard timer on the PCI interface. Reset to 0 |
| 31:28 | Reserved | RO | Reset to 0000 |

6.3.31 PCI DATA PREFETCHING CONTROL REGISTER – OFFSET 40h

| BIT | FUNCTION | TYPE | DESCRIPTION |
|-----|---|------|---|
| 0 | Secondary Internal Arbiter's PARK Function | RW | 0: Park to the last master 1: Park to PI7C9X118SL secondary port Reset to 0 |
| 1 | Memory Read Prefetching Dynamic Control Disable | RW | 0: Enable memory read prefetching dynamic control for PCI to PCIe read 1: Disable memory read prefetching dynamic control for PCI to PCIe read Reset to 0 |

| BIT | FUNCTION | TYPE | DESCRIPTION |
|-----|--|------|--|
| 2 | Completion Data Prediction Control Disable | RW | 0: Enable completion data prediction for PCI to PCIe read. 1: Disable completion data prediction Reset to 0 |
| 3 | CFG Type0-to-Type1 Conversion Enable | RW | 0: CFG Type0-to-Type1 conversion is disabled. 1: CFG Type0-to-Type1 conversion is enabled if the AD[31:28] is all 1s. PI7C9X118SL will ignore the AD[0] and always treats the cfg transaction as type 1, other AD bit (except AD[31:28], AD[0]) must meet the Type 1 format Reset to 0 |
| 5:4 | PCI Read Multiple Prefetch Mode | RW | 00: One cache line prefetch if memory read multiple address is in prefetchable range at the PCI interface 01: Full prefetch if address is in prefetchable range at PCI interface, and the PI7C9X118SL will keep remaining data after it disconnects the external master during burst read with read multiple command until the discard timer expires 10: Full prefetch if address is in prefetchable range at PCI interface 11: Full prefetch if address is in prefetchable range at PCI interface and the PI7C9X118SL will keep remaining data after the read multiple is terminated either by an external master or by the PI7C9X118SL, until the discard time expires Reset to 10 |
| 7:6 | PCI Read Line Prefetch Mode | RW | 00: Once cache line prefetch if memory read address is in prefetchable range at PCI interface 01: Full prefetch if address is in prefetchable range at PCI interface and the PI7C9X118SL will keep remaining data after it is disconnected by an external master during burst read with read line command, until discard timer expires 10: Full prefetch if memory read line address is in prefetchable range at PCI interface 11: Full prefetch if address is in prefetchable range at PCI interface and the PI7C9X118SL will keep remaining data after the read line is terminated either by an external master or by the PI7C9X118SL, until the discard timer expires Reset to 00 |
| 9:8 | PCI Read Prefetch Mode | RW | 00: One cache line prefetch if memory read address is in prefetchable range at PCI interface 01: Reserved 10: Full prefetch if memory read address is in prefetchable range at PCI interface 11: Disconnect on the first DWORD Reset to 00 |
| 10 | PCI Special Delayed Read Mode Enable | RW | 0: Retry any master at PCI bus that repeats its transaction with command code changes. 1: Allows any master at PCI bus to change memory command code (MR, MRL, MRM) after it has received a retry. The PI7C9X118SL will complete the memory read transaction and return data back to the master if the address and byte enables are the same. Reset to 0 |
| 11 | Optional Malformed Packet checking Enable | RW | 0: Optional Malformed Packet checking is disabled 1: Optional Malformed Packet checking is enabled Reset to 0 |

| BIT | FUNCTION | TYPE | DESCRIPTION |
|-------|--------------------------------|------|---|
| 14:12 | Maximum Memory Read Byte Count | RW | <p>Maximum byte count is used by the PI7C9X118SL when generating memory read requests on the PCIe link in response to a memory read initiated on the PCI bus and bit [9:8], bit [7:6], and bit [5:4] are set to “full prefetch”.</p> <p>000: 512 bytes (default) 001: 128 bytes 010: 256 bytes 011: 512 bytes 100: 1024 bytes 101: 2048 bytes 110: 4096 bytes 111: 512 bytes</p> <p>Reset to 000</p> |

6.3.32 CHIP CONTROL 0 REGISTER – OFFSET 40h

| BIT | FUNCTION | TYPE | DESCRIPTION |
|-------|---|------|--|
| 15 | Flow Control Update Control | RW | <p>0: Flow control is updated for every two credits available 1: Flow control is updated for every on credit available</p> <p>Reset to 0</p> |
| 16 | PCI Retry Counter Status | RWC | <p>0: The PCI retry counter has not expired since the last reset 1: The PCI retry counter has expired since the last reset</p> <p>Reset to 0</p> |
| 18:17 | PCI Retry Counter Control | RW | <p>00: No expiration limit 01: Allow 256 retries before expiration 10: Allow 64K retries before expiration 11: Allow 2G retries before expiration</p> <p>Reset to 00</p> |
| 19 | PCI Discard Timer Disable | RW | <p>0: Enable the PCI discard timer in conjunction with bit [24] or bit [25] of offset 3Ch (bridge control register) 1: Disable the PCI discard timer in conjunction with bit [24] or bit [25] of offset 3Ch (bridge control register)</p> <p>Reset to 0</p> |
| 20 | PCI Discard Timer Short Duration | RW | <p>0: Use bit [25] offset 3Ch to indicate how many PCI clocks should be allowed before the PCI discard timer expires 1: 64 PCI clocks allowed before the PCI discard timer expires</p> <p>Reset to 0</p> |
| 22:21 | Configuration Request Retry Timer Counter Value Control | RW | <p>00: Timer expires at 25us 01: Timer expires at 0.5ms 10: Timer expires at 5ms 11: Timer expires at 25ms</p> <p>Reset to 01</p> |
| 23 | Delayed Transaction Order Control | RW | <p>0: Enable out-of-order capability between delayed transactions 1: Disable out-of-order capability between delayed transactions</p> <p>Reset to 0</p> |
| 25:24 | Completion Timer Counter Value Control | RW | <p>00: Timer expires at 50us 01: Timer expires at 10ms 10: Timer expires at 50ms 11: Timer disabled</p> <p>Reset to 01</p> |

| BIT | FUNCTION | TYPE | DESCRIPTION |
|-------|--|------|--|
| 26 | Isochronous Traffic Support Enable | RW | 0: All memory transactions from PCI to PCIe will be mapped to TC0 1: All memory transactions from PCI to PCIe will be mapped to Traffic Class defined in bit [29:27] of offset 40h. Reset to 0 |
| 29:27 | Traffic Class Used For Isochronous Traffic | RW | Reset to 001 |
| 30 | Power Saving Mode Enable | RW | 0: Disable the power saving mode; 1: Enable the power saving mode. The internal clock for MAC/DLL/TLP and PCI logic is disabled at L1s and L1 state. Reset to 1 |
| 31 | Power Saving Mode Enable at ASPM L0s | RW | 0: Disables the power saving mode at ASPM L0s 1: Enables the power saving mode at ASPM L0s Reset to 1 |

6.3.33 RESERVED REGISTER – OFFSET 44h

| BIT | FUNCTION | TYPE | DESCRIPTION |
|------|----------|------|--------------------|
| 31:0 | Reserved | RO | Reset to 00000000h |

6.3.34 ARBITER ENABLE REGISTER – OFFSET 48h

| BIT | FUNCTION | TYPE | DESCRIPTION |
|-----|------------------|------|---|
| 0 | Enable Arbiter 0 | RW | 0: Disable arbitration for internal PI7C9X118SL request 1: Enable arbitration for internal PI7C9X118SL request Reset to 1 |
| 1 | Enable Arbiter 1 | RW | 0: Disable arbitration for master 1 1: Enable arbitration for master 1 Reset to 1 |
| 2 | Enable Arbiter 2 | RW | 0: Disable arbitration for master 2 1: Enable arbitration for master 2 Reset to 1 |
| 3 | Enable Arbiter 3 | RW | 0: Disable arbitration for master 3 1: Enable arbitration for master 3 Reset to 1 |
| 4 | Enable Arbiter 4 | RW | 0: Disable arbitration for master 4 1: Enable arbitration for master 4 Reset to 1 |
| 8:5 | Reserved | RO | Reset to 0h |

6.3.35 ARBITER MODE REGISTER – OFFSET 48h

| BIT | FUNCTION | TYPE | DESCRIPTION |
|-----|------------------------------|------|--|
| 9 | External Arbiter Bit | RW | 0: Enable internal arbiter 1: Use external arbiter and disable internal arbiter Reset to 0 |
| 10 | Broken Master Timeout Enable | RW | 0: Broken master timeout disable 1: This bit enables the internal arbiter to count 16 PCI bus cycles while waiting for FRAME_L to become active when a device's PCI bus GNT is active and the PCI bus is idle. If the broken master timeout expires, the PCI bus GNT for the device is de-asserted. Reset to 0 |

| BIT | FUNCTION | TYPE | DESCRIPTION |
|-------|------------------------------|------|--|
| 11 | Broken Master Refresh Enable | RW | 0: A broken master will be ignored forever after de-asserting its REQ_L for at least 1 clock 1: Refresh broken master state after all the other masters have been served once Reset to 0 |
| 19:12 | Arbiter Fairness Counter | RW | 08h: These bits are the initialization value of a counter used by the internal arbiter. It controls the number of PCI bus cycles that the arbiter holds a device's PCI bus GNT active after detecting a PCI bus REQ_L from another device. The counter is reloaded whenever a new PCI bus GNT is asserted. For every new PCI bus GNT, the counter is armed to decrement when it detects the new fall of FRAME_L. If the arbiter fairness counter is set to 00h, the arbiter will not remove a device's PCI bus GNT until the device has de-asserted its PCI bus REQ. Reset to 08h |
| 20 | GNT_L Output Toggling Enable | RW | 0: GNT_L not de-asserted after granted master assert FRAME_L 1: GNT_L de-asserts for 1 clock after 2 clocks of the granted master asserting FRAME_L Reset to 0 |
| 21 | Reserved | RO | Reset to 0 |

6.3.36 ARBITER PRIORITY REGISTER – OFFSET 48h

| BIT | FUNCTION | TYPE | DESCRIPTION |
|-------|--------------------|------|---|
| 22 | Arbiter Priority 0 | RW | 0: Low priority request to internal PI7C9X118SL 1: High priority request to internal PI7C9X118SL Reset to 1 |
| 23 | Arbiter Priority 1 | RW | 0: Low priority request to master 1 1: High priority request to master 1 Reset to 0 |
| 24 | Arbiter Priority 2 | RW | 0: Low priority request to master 2 1: High priority request to master 2 Reset to 0 |
| 25 | Arbiter Priority 3 | RW | 0: Low priority request to master 3 1: High priority request to master 3 Reset to 0 |
| 26 | Arbiter Priority 4 | RW | 0: Low priority request to master 4 1: High priority request to master 4 Reset to 0 |
| 31:27 | Reserved | RO | Reset to 00h |

6.3.37 RESERVED REGISTERS – OFFSET 4Ch

6.3.38 MEMORY READSMART BASE LOWER 32-Bit REGISTER 1 – OFFSET 50h

| BIT | FUNCTION | TYPE | DESCRIPTION |
|------|---|------|--|
| 31:0 | Memory Readsmart Base Lower 32-bit Register 1 | RW | Memory Readsmart Base Address 1 in conjunction with Memory Readsmart Base Lower 32-bit register 1 and Memory Readsmart Range Size register 1, defines address range 1 in which PCI memory read are allowed (or not allowed) to use the Readsmart mode which is controlled by bit [7:4] of 40h. Reset to 00000000h |

6.3.39 MEMORY READSMART BASE UPPER 32-Bit REGISTER 1 – OFFSET 54h

| BIT | FUNCTION | TYPE | DESCRIPTION |
|------|---|------|---|
| 31:0 | Memory Readsmart Base Upper 32-bit register 1 | RW | Bit[63:32] of Memory Readsmart Base Address 1 Reset to 00000000h |

6.3.40 MEMORY READSMART RANGE CONTROL REGISTER 1 – OFFSET 58h

| BIT | FUNCTION | TYPE | DESCRIPTION |
|------|----------------------------------|------|--|
| 0 | Memory Readsmart Range Control | RW | Memory Readsmart Range Control register 0: any PCI memory read with address falling in the range are not allowed to use Readsmart mode. 1: only PCI memory read with address falling in the range are allowed to use Readsmart mode. Reset to 0 |
| 31:1 | Memory Readsmart Range Address 1 | RW | Define the size of the range 1, maximum 4G byte with granularity of 2 bytes Reset to 00000000h |

6.3.41 MEMORY READSMART BASE LOWER 32-Bit REGISTER 2 – OFFSET 5Ch

| BIT | FUNCTION | TYPE | DESCRIPTION |
|------|---|------|--|
| 31:0 | Readsmart Memory Base Lower 32-bit Register 2 | RW | Memory Readsmart Base Address 1 in conjunction with Memory Readsmart Base Lower 32-bit register 2 and Memory Readsmart Range Size register 2, defines address range 1 in which PCI memory read are allowed (or not allowed) to use the Readsmart mode which is controlled by bit [7:4] of 40h. Reset to 00000000h |

6.3.42 MEMORY READSMART BASE UPPER 32-Bit REGISTER 2 – OFFSET 60h

| BIT | FUNCTION | TYPE | DESCRIPTION |
|------|---|------|---|
| 31:0 | Memory Readsmart Base Upper 32-bit register 2 | RW | Bit[63:32] of Memory Readsmart Base Address 2 Reset to 00000000h |

6.3.43 MEMORY READSMART RANGE SIZE REGISTER 2 – OFFSET 64h

| BIT | FUNCTION | TYPE | DESCRIPTION |
|------|--|------|---|
| 31:0 | Memory Readsmart Range Size register 2 | RW | Memory Readsmart Range Address 2 defines the size of the range 2, maximum 4G byte Reset to 00000000h |

6.3.44 UPSTREAM MEMORY READ/WRITE CONTROL REGISTER – OFFSET 68h

| BIT | FUNCTION | TYPE | DESCRIPTION |
|------|----------|------|-------------|
| 26:0 | Reserved | RO | Reset to 0 |

| BIT | FUNCTION | TYPE | DESCRIPTION |
|-------|---|------|--|
| 29:27 | Upstream Memory Read Request Transmitting Control | RW | Control when to transmit a second memory read request to PCIe link before receiving Completion data for the previous request which is from the same read channel. 000: Do not send 2nd request until receiving all completion data for the previous request. 001: Do not send 2nd request until 1 ADQ data left unrecived for the previous request. 010: Do not send 2nd request until 2 ADQ data left unrecived for the previous request. 011: Do not send 2nd request until 4 ADQ data left unrecived for the previous request. 1xx: Do not send 2nd request until 8 ADQ data left unrecived for the previous request. Reset to 7h |
| 31:30 | Memory Write Fragment Control | RW | Upstream Memory Write Fragment Control 00: Fragment at 32-byte boundary 01: Fragment at 64-byte boundary 1x: Fragment at 128-byte boundary Reset to 10 |

6.3.45 PHY TRANSMIT/RECEIVE CONTROL REGISTER – OFFSET 6Ch

| BIT | FUNCTION | TYPE | DESCRIPTION |
|-------|--|------|---|
| 2:0 | Timing Threshold | RW | Timing threshold before sampling receiver detection circuit 000: 1.0us 001: 2.0us 010: 4.0us(default) 011: 5.0us 100: 10.0us 101: 20.0us 110: 40.0us 111: 50.0us Reset to 2h |
| 6:3 | Receiver Equalization Stage Enable (2.5G) | RW | xxx1: Enable stage 0 xx1x: Enable stage 1 x1xx: Enable stage 2 Reset to 2h |
| 7 | Clock and Data Recovery (CDR) Second Order Loop Enable | RW | Reset to 0 |
| 9:8 | Set CDR Second Order Loop Gain | RW | Reset to 2h |
| 11:10 | Receiver Signal Detect Level Select | RW | Reset to 1h |
| 13:12 | Threshold Of Clock Recovery Filter | RW | Reset to 3h |
| 14 | De-Emphasis Offset Drive Level to the Lane Driver in Transmit Margin Mode Enable | RW | Reset to 0 |
| 15 | De-Emphasis Offset Drive Level to the Lane Driver in Normal Mode Enable | RW | Reset to 0 |
| 16 | Base Offset Drive Level to the Lane Driver in Normal Mode Enable | RW | Reset to 0 |

| BIT | FUNCTION | TYPE | DESCRIPTION |
|-------|---|------|---|
| 17 | Base Offset Drive Level to the Lane Driver in Transmit Margin Mode Enable | RW | Reset to 0 |
| 22:18 | De-Emphasis -3.5db of Transmit De-Emphasis Base | RW | Reset to 0Dh |
| 27:23 | De-Emphasis -3.5db of Transmit Level Base | RW | Reset to 13h |
| 30:28 | Transmitter Main Output Voltage Drive Level | RW | Set Transmitter main output voltage drive levels based on Drive Margin setting: 000 : Nominal 001 : Margin 1 case 010 : Margin 2 case 011 : Margin 3 case 100 : Margin 4 case Other : Reserved Reset to 0h |
| 31 | Reserved | RO | Reset to 0 |

6.3.46 EEPROM AUTOLOAD CONTROL/STATUS REGISTER – OFFSET 70h

| BIT | FUNCTION | TYPE | DESCRIPTION |
|------|-------------------------------------|------|---|
| 0 | Initiate EEPROM Read or Write Cycle | RW | This bit will be reset to 0 after the EEPROM operation is finished. 0: EEPROM AUTOLOAD disabled 0 -> 1: Starts the EEPROM Read or Write cycle Reset to 0 |
| 1 | Control Command for EEPROM | RW | 0: Read 1: Write Reset to 0 |
| 2 | EEPROM Error | RO | 0: EEPROM acknowledge is always received during the EEPROM cycle 1: EEPROM acknowledge is not received during EEPROM cycle Reset to 0 |
| 3 | EEPROM Autoload Complete Status | RO | 0: EEPROM autoload is not successfully completed 1: EEPROM autoload is successfully completed Reset to 0 |
| 5:4 | EEPROM Clock Frequency Control | RW | Where PCLK is 256MHz 00: PCLK / 8192 01: PCLK / 4096 10: PCLK / 2048 11: PCLK / 256 Reset to 00 |
| 6 | EEPROM Autoload Control | RW | 0: Enable EEPROM autoload 1: Disable EEPROM autoload Reset to 0 |
| 7 | Fast EEPROM Autoload Control | RW | =0: normal speed of EEPROM autoload =1: speeds up EEPROM autoload by 8 times Reset to 1 |
| 8 | EEPROM Autoload Status | RO | 0: EEPROM autoload is not on going 1: EEPROM autoload is on going Reset to 0 |
| 15:9 | EEPROM Word Address | RW | EEPROM word address for EEPROM cycle Reset to 0000000 |

| BIT | FUNCTION | TYPE | DESCRIPTION |
|-------|-------------|------|--|
| 31:16 | EEPROM Data | RW | EEPROM data to be written into the EEPROM or received from the EEPROM after read cycle has completed Reset to 0000h |

6.3.47 RESERVED REGISTER – OFFSET 74h

6.3.48 GPIO DATA AND CONTROL REGISTER – OFFSET 78h

| BIT | FUNCTION | TYPE | DESCRIPTION |
|-------|-------------------------------------|------|---------------|
| 11:0 | Reserved | RO | Reset to 000h |
| 15:12 | GPIO Output Write-1-to-Clear | RW | Reset to 0h |
| 19:16 | GPIO Output Write-1-to-Set | RW | Reset to 0h |
| 23:20 | GPIO Output Enable Write-1-to-Clear | RW | Reset to 0h |
| 27:24 | GPIO Output Enable Write-1-to-Set | RW | Reset to 0h |
| 31:28 | GPIO Input Data Register | RO | Reset to 0h |

6.3.49 RESERVED REGISTER – OFFSET 7Ch

6.3.50 PCI-X CAPABILITY ID REGISTER – OFFSET 80h

| BIT | FUNCTION | TYPE | DESCRIPTION |
|-----|---------------------|------|---|
| 7:0 | PCI-X Capability ID | RO | PCI-X Capability ID Reset to 07h |

6.3.51 NEXT CAPABILITY POINTER REGISTER – OFFSET 80h

| BIT | FUNCTION | TYPE | DESCRIPTION |
|------|-------------------------|------|---|
| 15:8 | Next Capability Pointer | RO | Point to power management Reset to 90h |

6.3.52 PCI-X SECONDARY STATUS REGISTER – OFFSET 80h

| BIT | FUNCTION | TYPE | DESCRIPTION |
|-----|--|------|--|
| 16 | 64-bit Device on Secondary Bus Interface | RO | 64-bit is not supported Reset to 0 |
| 17 | 133MHz Capable | RO | 133MHz capable on secondary interface. Reset to 0 |
| 18 | Split Completion Discarded | RO | Split Completion Discarded Reset to 0 |
| 19 | Unexpected Split Completion | RWC | 0: No unexpected split completion has been received. 1: An unexpected split completion has been received with the request ID equaled to the bridge's secondary port number, device number 00h, and function number 0 on the bridge secondary interface. Reset to 0 |
| 20 | Split Completion Overrun | RO | Reset to 0 |

| BIT | FUNCTION | TYPE | DESCRIPTION |
|-------|---------------------------|------|---|
| 21 | Split Request Delayed | RO | 0: The bridge has not delayed a split request. 1: The bridge has delayed a split request because the bridge cannot forward a transaction to secondary port due to not enough room within the limit specified in the split transaction commitment limit field in the downstream split transaction control register. Reset to 0 |
| 24:22 | Secondary Clock Frequency | RO | 000: Conventional PCI mode (minimum clock period not applicable) 001: 66MHz (minimum clock period is 15ns) 010: 100 to 133MHz (minimum clock period is 7.5ns) 011: Reserved 1xx: Reserved Reset to 000 |
| 31:25 | Reserved | RO | Reset to 0000000 |

6.3.53 PCI-X BRIDGE STATUS REGISTER – OFFSET 84h

| BIT | FUNCTION | TYPE | DESCRIPTION |
|------|--|------|--|
| 2:0 | Function Number | RO | Function Number; the function number (AD[10:8] of a type-0 configuration transaction) to which the bridge responds. Reset to 000 |
| 7:3 | Device Number | RO | Device Number; the device number (AD[15:11] of a type-0 configuration transaction) is assigned to the bridge by the connection of system hardware. Each time the bridge is addressed by a configuration write transaction, the bridge updates this register with the contents of AD[15:11] of the address phase of the configuration transaction, regardless of which register in the bridge is addressed by the transaction. The bridge is addressed by a configuration write transaction if all of the following are true: <ul style="list-style-type: none"> • The transaction uses a configuration write command. • IDSEL is asserted during the address phase. • AD[1:0] are 00 (type-0 configuration transaction). • AD[10:8] of the configuration address contain the appropriate function number. Reset to 11111 |
| 15:8 | Bus Number | RO | Bus Number; It is an additional address from which the contents of the primary bus number register on type-1 configuration space header is read. The bridge uses the bus number, device number, and function number fields to create the completer ID when responding with a split completion to a read of an internal bridge register. These fields are also used for cases when one interface is in conventional PCI mode and the other is in PCIX mode. Reset to 11111111 |
| 16 | 64-bit Device on Primary Bus Interface | RO | 64-bit device. Reset to 0 |
| 17 | 133MHz Capable | RO | 133MHz capable on primary interface. Reset to 0 |
| 18 | Split Completion Discarded | RO | Reset to 0 |
| 19 | Unexpected Split Completion | RWC | 0: No unexpected split completion has been received. 1: An unexpected split completion has been received with the request ID equaled to the bridge's primary port number, device number, and function number on the bridge primary interface. Reset to 0 |
| 20 | Split Completion Overrun | RO | Reset to 0 |

| BIT | FUNCTION | TYPE | DESCRIPTION |
|-------|-----------------------|------|--|
| 21 | Split Request Delayed | RWC | When this bit is set to 1, a split request is delayed because PI7C9X118SL is not able to forward the split request transaction to its primary bus due to insufficient room within the limit specified in the split transaction commitment limit field of the downstream split transaction control register Reset to 0 |
| 31:22 | Reserved | RO | Reset to 0000000000 |

6.3.54 UPSTREAM SPLIT TRANSACTION REGISTER – OFFSET 88h

| BIT | FUNCTION | TYPE | DESCRIPTION |
|-------|---|------|---|
| 15:0 | Upstream Split Transaction Capability | RO | Upstream Split Transaction Capability specifies the size of the buffer (in the unit of ADQs) to store split completions for memory read. It applies to the requesters on the secondary bus in addressing the completers on the primary bus. The 0010h value shows that the buffer has 16 ADQs or 2K bytes storage Reset to 0010h |
| 31:16 | Upstream Split Transaction Commitment Limit | RW | Upstream Split Transaction Commitment Limit indicates the cumulative sequence size of the commitment limit in units of ADQs. This field can be programmed to any value or equal to the content of the split capability field. For example, if the limit is set to FFFFh, PI7C9X118SL is allowed to forward all split requests of any size regardless of the amount of buffer space available. If the limit is set to 0100h or greater will cause the bridge to forward accepted split requests of any size regardless of the amount of buffer space available. The split transaction commitment limit is set to 0010h that is the same value as the split transaction capability. Reset to 0010h |

6.3.55 DOWNSTREAM SPLIT TRANSACTION REGISTER – OFFSET 8Ch

| BIT | FUNCTION | TYPE | DESCRIPTION |
|-------|---|------|---|
| 15:0 | Downstream Split Transaction Capability | RO | Downstream Split Transaction Capability specifies the size of the buffer (in the unit of ADQs) to store split completions for memory read. It applies to the requesters on the primary bus in addressing the completers on the secondary bus. The 0010h value shows that the buffer has 16 ADQs or 2K bytes storage Reset to 0010h |
| 31:16 | Downstream Split Transaction Commitment Limit | RW | Downstream Split Transaction Commitment Limit indicates the cumulative sequence size of the commitment limit in units of ADQs. This field can be programmed to any value or equal to the content of the split capability field. For example, if the limit is set to FFFFh, PI7C9X118SL is allowed to forward all split requests of any size regardless of the amount of buffer space available. If the limit is set to 0100h or greater will cause the bridge to forward accepted split requests of any size regardless of the amount of buffer space available. The split transaction commitment limit is set to 0010h that is the same value as the split transaction capability. Reset to 0010h |

6.3.56 POWER MANAGEMENT ID REGISTER – OFFSET 90h

| BIT | FUNCTION | TYPE | DESCRIPTION |
|-----|---------------------|------|--|
| 7:0 | Power Management ID | RO | Power Management ID Register Reset to 01h |

6.3.57 NEXT CAPABILITY POINTER REGISTER – OFFSET 90h

| BIT | FUNCTION | TYPE | DESCRIPTION |
|------|--------------|------|--|
| 15:8 | Next Pointer | RO | Next pointer (point to Subsystem ID and Subsystem Vendor ID) Reset to A8h |

6.3.58 POWER MANAGEMENT CAPABILITY REGISTER – OFFSET 90h

| BIT | FUNCTION | TYPE | DESCRIPTION |
|-------|--------------------------------------|------|---|
| 18:16 | Version Number | RO | Version number that complies with revision 1.2 of the PCI Power Management Interface specification. Reset to 011 |
| 19 | PME Clock | RO | PME clock is not required for PME_L generation Reset to 0 |
| 20 | Reserved | RO | Reset to 0 |
| 21 | Device Specific Initialization (DSI) | RO | DSI – no special initialization of this function beyond the standard PCI configuration header is required following transition to the D0 un-initialized state Reset to 0 |
| 24:22 | AUX Current | RO | 000: 0mA 001: 55mA 010: 100mA 011: 160mA 100: 220mA 101: 270mA 110: 320mA 111: 375mA Reset to 001 |
| 25 | D1 Power Management | RO | D1 power management is not supported Reset to 0 |
| 26 | D2 Power Management | RO | D2 power management is not supported Reset to 0 |
| 31:27 | PME_L Support | RO | PME_L is supported in D3 cold, D3 hot, and D0 states. Reset to 11001 |

6.3.59 POWER MANAGEMENT CONTROL AND STATUS REGISTER – OFFSET 94h

| BIT | FUNCTION | TYPE | DESCRIPTION |
|-----|---------------|------|--|
| 1:0 | Power State | RW | Power State is used to determine the current power state of PI7C9X118SL. If a non-implemented state is written to this register, PI7C9X118SL will ignore the write data. When present state is D3 and changing to D0 state by programming this register, the power state change causes a device reset without activating the RESET_L of PCI bus interface 00: D0 state 01: D1 state not implemented 10: D2 state not implemented 11: D3 state Reset to 00 |
| 2 | Reserved | RO | Reset to 0 |
| 3 | No Soft Reset | RO | 0: Internal reset occurs at D3hot->D0 1: No internal reset occurs and configuration registers are preserved at D3hot->D0 Reset to 1 |

| BIT | FUNCTION | TYPE | DESCRIPTION |
|-------|-------------|------|---|
| 7:4 | Reserved | RO | Reset to 0h |
| 8 | PME Enable | RWS | 0: PME_L assertion is disabled 1: PME_L assertion is enabled Reset to 0 |
| 12:9 | Data Select | RO | Data register is not implemented Reset to 0000 |
| 14:13 | Data Scale | RO | Data register is not implemented Reset to 00 |
| 15 | PME Status | RWCS | PME_L is supported Reset to 0 |

6.3.60 PCI-TO-PCI SUPPORT EXTENSION REGISTER – OFFSET 94h

| BIT | FUNCTION | TYPE | DESCRIPTION |
|-------|------------------------------------|------|---|
| 21:16 | Reserved | RO | Reset to 000000 |
| 22 | B2/B3 Support | RO | 0: B2 / B3 is not support for D3hot Reset to 0 |
| 23 | PCI Bus Power/Clock Control Enable | RO | 0: PCI Bus Power/Clock is disabled Reset to 0 |
| 31:24 | Data Register | RO | Data register is not implemented Reset to 00h |

6.3.61 SUBTRACTIVE DECODING PCI-TO-PCI BRIDGE ENABLE – OFFSET 98h

| BIT | FUNCTION | TYPE | DESCRIPTION |
|------|---|------|---|
| 0 | Subtractive Decoding PCI-to-PCI Bridge Enable | RW | 0: 1: PI7C9X118SL's class code is 060401h, and the bridge forwards all cycles (Memory/IO) to downstream PCI devices. All PCI-X/PCIe Capability registers and Extended Configuration registers are treated as reserved registers: Write access is completed normally but data is discarded. Read accesses is returned with data value of 0. Reset to 0 |
| 1 | PCI Bus Subtractive Decoding Enable | RW | 0: PI7C9X118SL does not perform Subtractive Decoding at PCI Bus 1: PI7C9X118SL performs Subtractive Decoding at PCI Bus Reset to 0 |
| 31:3 | Reserved | RO | Reset to 0 |

6.3.62 RESERVED REGISTERS – OFFSET 9Ch

6.3.63 CAPABILITY ID REGISTER – OFFSET A0h

| BIT | FUNCTION | TYPE | DESCRIPTION |
|-----|---------------|------|---|
| 7:0 | Capability ID | RO | Capability ID for Slot Identification. SI is off by default but can be turned on through EEPROM interface Reset to 04h |

6.3.64 NEXT POINTER REGISTER – OFFSET A0h

| BIT | FUNCTION | TYPE | DESCRIPTION |
|------|--------------|------|--|
| 15:8 | Next Pointer | RO | Next pointer – points to PCI Express capabilities register Reset to B0h |

6.3.65 SLOT NUMBER REGISTER – OFFSET A0h

| BIT | FUNCTION | TYPE | DESCRIPTION |
|-------|-----------------------|------|---|
| 20:16 | Expansion Slot Number | RW | Expansion slot number Reset to 00000 |
| 21 | First In Chassis | RW | First in chassis Reset to 0 |
| 23:22 | Reserved | RO | Reset to 00 |

6.3.66 CHASSIS NUMBER REGISTER – OFFSET A0h

| BIT | FUNCTION | TYPE | DESCRIPTION |
|-------|----------------|------|--------------------------------|
| 31:24 | Chassis Number | RW | Chassis number Reset to 00h |

6.3.67 SECONDARY CLOCK AND CLKRUN CONTROL REGISTER – OFFSET A4h

| BIT | FUNCTION | TYPE | DESCRIPTION |
|------|------------------|------|---|
| 1:0 | S_CLKOUT0 Enable | RW | S_CLKOUT0 should be always enabled in order to feed the internal secondary interface logic, unless there is external clock input feeding to the pin. 00: enable S_CLKOUT0 01: enable S_CLKOUT0 10: enable S_CLKOUT0 11: disable S_CLKOUT0 and driven LOW Reset to 00 |
| 3:2 | S_CLKOUT1 Enable | RW | S_CLKOUT (Slot 1) Enable 00: enable S_CLKOUT1 01: enable S_CLKOUT1 10: enable S_CLKOUT1 11: disable S_CLKOUT1 and driven LOW Reset to 00 |
| 5:4 | S_CLKOUT2 Enable | RW | S_CLKOUT (Slot 2) Enable 00: enable S_CLKOUT2 01: enable S_CLKOUT2 10: enable S_CLKOUT2 11: disable S_CLKOUT2 and driven LOW Reset to 00 |
| 7:6 | S_CLKOUT3 Enable | RW | S_CLKOUT (Slot 3) Enable 00: enable S_CLKOUT3 01: enable S_CLKOUT3 10: enable S_CLKOUT3 11: disable S_CLKOUT3 and driven LOW Reset to 00 |
| 12:8 | Reserved | RO | Reset to 0 |

| BIT | FUNCTION | TYPE | DESCRIPTION |
|-----|----------------------------------|---------|--|
| 13 | Secondary Clock Stop Status | RO | Secondary clock stop status 0: secondary clock not stopped 1: secondary clock stopped Reset to 0 |
| 14 | Secondary Clkrun Protocol Enable | RO / RW | 0: disable protocol 1: enable protocol The bit is RO as 0 when Clock Power Management feature is disabled, or it is RW (default 1) when Clock Power Management feature is enabled by strapping REQ_L[3:2] to both low at deassertion of RESET_L |
| 15 | Clkrun Mode | RO / RW | 0: Stop the secondary clock only when bridge is at D3hot state 1: Stop the secondary clock whenever the secondary bus is idle and there are no requests from the primary bus The bit is RO when Clock Power Management feature is disabled, or it is RW when Clock Power Management feature is enabled by strapping REQ_L[3:2] to both low at deassertion of RESET_L Reset to 0 |

6.3.68 XPIP CONFIGURATION REGISTER 3 – OFFSET A4h

| BIT | FUNCTION | TYPE | DESCRIPTION |
|-------|---------------------------|------|--|
| 16 | ASPM L0s Enable Control | RW | 0: bridge may enter ASPM L0s regardless if Receiver is Electrical Idle 1: bridge may enter ASPM L0s only if Receiver is Electrical Idle Reset to 1 |
| 18:17 | Scrambling Control | RW | Reset to 00 |
| 20:19 | L0 Enter L1 Timer Control | RW | Reset to 01 |
| 31:21 | Reserved | RO | Reset to 00 |

6.3.69 CAPABILITY ID REGISTER – OFFSET A8h

| BIT | FUNCTION | TYPE | DESCRIPTION |
|-----|---------------|------|--|
| 7:0 | Capability ID | RO | Capability ID for subsystem ID and subsystem vendor ID Reset to 0Dh |

6.3.70 NEXT POINTER REGISTER – OFFSET A8h

| BIT | FUNCTION | TYPE | DESCRIPTION |
|------|-------------------|------|---|
| 15:8 | Next Item Pointer | RO | Next item pointer (point to PCI Express Capability by default but can be programmed to A0h if Slot Identification Capability is enabled) Reset to B0h (RO as F0h in Legacy Mode to bypass PCIe capability) |

6.3.71 RESERVED REGISTER – OFFSET A8h

| BIT | FUNCTION | TYPE | DESCRIPTION |
|-------|----------|------|----------------|
| 31:16 | Reserved | RO | Reset to 0000h |

6.3.72 SUBSYSTEM VENDOR ID REGISTER – OFFSET ACh

| BIT | FUNCTION | TYPE | DESCRIPTION |
|------|---------------------|------|--|
| 15:0 | Subsystem Vendor ID | RO | Subsystem vendor ID identifies the particular add-in card or subsystem Reset to 00h |

6.3.73 SUBSYSTEM ID REGISTER – OFFSET ACh

| BIT | FUNCTION | TYPE | DESCRIPTION |
|-------|--------------|------|---|
| 31:16 | Subsystem ID | RO | Subsystem ID identifies the particular add-in card or subsystem Reset to 00h |

6.3.74 PCI EXPRESS CAPABILITY ID REGISTER – OFFSET B0h

| BIT | FUNCTION | TYPE | DESCRIPTION |
|-----|---------------------------|------|---|
| 7:0 | PCI Express Capability ID | RO | PCI Express capability ID Reset to 10h |

6.3.75 NEXT CAPABILITY POINTER REGISTER – OFFSET B0h

| BIT | FUNCTION | TYPE | DESCRIPTION |
|------|-------------------|------|--|
| 15:8 | Next Item Pointer | RO | Next Capabilities Pointer Register Reset to F0h |

6.3.76 PCI EXPRESS CAPABILITY REGISTER – OFFSET B0h

| BIT | FUNCTION | TYPE | DESCRIPTION |
|-------|--------------------------|------|---|
| 19:16 | Capability Version | RO | Reset to 1h |
| 23:20 | Device / Port Type | RO | 0000: PCI Express endpoint device 0001: Legacy PCI Express endpoint device 0100: Root port of PCI Express root complex 0101: Upstream port of PCI Express switch 0110: Downstream port of PCI Express switch 0111: PCI Express to PCI bridge 1000: PCI to PCI Express bridge Others: Reserved Reset to 7h |
| 24 | Slot Implemented | RO | Reset to 0 |
| 29:25 | Interrupt Message Number | RO | Reset to 0h |
| 31:30 | Reserved | RO | Reset to 0 |

6.3.77 DEVICE CAPABILITY REGISTER – OFFSET B4h

| BIT | FUNCTION | TYPE | DESCRIPTION |
|-----|----------------------|------|--|
| 2:0 | Maximum Payload Size | RO | 000: 128 bytes 001: 256 bytes 010: 512 bytes 011: 1024 bytes 100: 2048 bytes 101: 4096 bytes 110: reserved 111: reserved Reset to 2h |
| 4:3 | Phantom Functions | RO | Phantom functions is not supported Reset to 00 |
| 5 | 8-bit Tag Field | RO | 8-bit tag field supported Reset to 1 |

| BIT | FUNCTION | TYPE | DESCRIPTION |
|-------|---------------------------------|------|---|
| 8:6 | Endpoint L0's Latency | RO | Endpoint L0's acceptable latency 000: less than 64 ns 001: 64 – 128 ns 010: 128 – 256 ns 011: 256 – 512 ns 100: 512 ns – 1 us 101: 1 – 2 us 110: 2 – 4 us 111: more than 4 us Reset to 000 |
| 11:9 | Endpoint L1's Latency | RO | Endpoint L1's acceptable latency 000: less than 1 us 001: 1 – 2 us 010: 2 – 4 us 011: 4 – 8 us 100: 8 – 16 us 101: 16 – 32 us 110: 32 – 64 us 111: more than 64 us Reset to 000 |
| 12 | Attention Button Present | RO | Reset to 0 |
| 13 | Attention Indicator Present | RO | Reset to 0 |
| 14 | Power Indicator Present | RO | Reset to 0 |
| 15 | Role-Based Error Reporting | RO | 1: Role-Based Error Reporting is supported by the bridge. Reset to 1 |
| 17:16 | Reserved | RO | Reset to 000 |
| 25:18 | Captured Slot Power Limit Value | RO | These bits are set by the Set_Slot_Power_Limit message Reset to 00h |
| 27:26 | Captured Slot Power Limit Scale | RO | This value is set by the Set_Slot_Power_Limit message Reset to 00 |
| 31:28 | Reserved | RO | Reset to 0h |

6.3.78 DEVICE CONTROL REGISTER – OFFSET B8h

| BIT | FUNCTION | TYPE | DESCRIPTION |
|-----|--------------------------------------|------|---|
| 0 | Correctable Error Reporting Enable | RW | Reset to 0h |
| 1 | Non-Fatal Error Reporting Enable | RW | Reset to 0h |
| 2 | Fatal Error Reporting Enable | RW | Reset to 0h |
| 3 | Unsupported Request Reporting Enable | RW | Reset to 0h |
| 4 | Relaxed Ordering Enable | RO | Relaxed Ordering is not supported Reset to 0h |
| 7:5 | Max Payload Size | RW | This field sets the maximum TLP payload size for the PI7C9X118SL 000: 128 bytes 001: 256 bytes 010: 512 bytes 011: 1024 bytes 100: 2048 bytes 101: 4096 bytes 110: reserved 111: reserved Reset to 000 |

| BIT | FUNCTION | TYPE | DESCRIPTION |
|-------|----------------------------|------|---|
| 8 | Extended Tag Field Enable | RW | Reset to 0 |
| 9 | Phantom Functions Enable | RO | Phantom functions is not supported Reset to 0 |
| 10 | Auxiliary Power PM Enable | RO | Auxiliary power PM is not supported Reset to 0 |
| 11 | No Snoop Enable | RO | Bridge never sets the No Snoop attribute in the transaction it initiates Reset to 0 |
| 14:12 | Maximum Read Request Size | RW | This field sets the maximum Read Request Size for the device as a requester 000: 128 bytes 001: 256 bytes 010: 512 bytes 011: 1024 bytes 100: 2048 bytes 101: 4096 bytes 110: reserved 111: reserved Reset to 2h |
| 15 | Configuration Retry Enable | RW | Reset to 0 |

6.3.79 DEVICE STATUS REGISTER – OFFSET B8h

| BIT | FUNCTION | TYPE | DESCRIPTION |
|-------|------------------------------|------|---|
| 16 | Correctable Error Detected | RWC | Reset to 0 |
| 17 | Non-Fatal Error Detected | RWC | Reset to 0 |
| 18 | Fatal Error Detected | RWC | Reset to 0 |
| 19 | Unsupported Request Detected | RWC | Reset to 0 |
| 20 | AUX Power Detected | RO | Reset to 1 |
| 21 | Transaction Pending | RO | 0: No transaction is pending on transaction layer interface 1: Transaction is pending on transaction layer interface Reset to 0 |
| 31:22 | Reserved | RO | Reset to 0000000000 |

6.3.80 LINK CAPABILITY REGISTER – OFFSET BCh

| BIT | FUNCTION | TYPE | DESCRIPTION |
|-----|--------------------|------|---|
| 3:0 | Maximum Link Speed | RO | Indicates the maximum speed of the Express link 0001: 2.5Gb/s link Reset to 1 |
| 9:4 | Maximum Link Width | RO | Indicates the maximum width of the Express link (x1 at reset) 000000: reserved 000001: x1 000010: x2 000100: x4 001000: x8 001100: x12 010000: x16 100000: x32 Reset to 01/04h |

| BIT | FUNCTION | TYPE | DESCRIPTION |
|-------|---|------|---|
| 11:10 | ASPM Support | RO | This field indicates the level of Active State Power Management Support 00: reserved 01: L0's entry supported 10: reserved 11: L0's and L1's supported Reset to 11 |
| 14:12 | L0's Exit Latency | RO | Reset to 3h |
| 17:15 | L1's Exit Latency | RO | The bits are RO as 0h when Clock Power Management feature is disabled, or RO as 6h when Clock Power Management feature is enabled by strapping REQ_L[3:2] to both low at deassertion of RESET_L. Reset to 0/6h |
| 18 | Clock Power Management Capable | RO | The bit is RO as 0 when Clock Power Management feature is disabled, or RO as 1 when Clock Power Management feature is enabled by strapping REQ_L[3:2] to both low at deassertion of RESET_L. Reset to 0/1 |
| 19 | Reserved | RO | Reset to 0 |
| 20 | Data Link Layer Link Active Reporting Capable | RO | Reset to 0 |
| 23:21 | Reserved | RO | Reset to 0h |
| 31:24 | Port Number | RO | Reset to 00h |

6.3.81 LINK CONTROL REGISTER – OFFSET C0h

| BIT | FUNCTION | TYPE | DESCRIPTION |
|------|--------------------------------|---------|---|
| 1:0 | ASPM Control | RW | This field controls the level of ASPM supported on the Express link 00: disabled 01: L0's entry enabled 10: L1's entry enabled 11: L0's and L1's entry enabled Reset to 00 |
| 2 | Reserved | RO | Reset to 0 |
| 3 | Read Completion Boundary (RCB) | RO | Read completion boundary is not supported Reset to 0 |
| 4 | Link Disable | RO | Reset to 0 |
| 5 | Retrain Link | RO | Reset to 0 |
| 6 | Common Clock Configuration | RW | Reset to 0 |
| 7 | Extended Sync | RW | Reset to 0 |
| 8 | Enable Clock Power Management | RO / RW | The bit is RO when Clock Power Management feature is disabled, or RW when Clock Power Management feature is enabled by strapping REQ_L[3:2] to both low at deassertion of RESET_L Reset to 0 |
| 15:9 | Reserved | RO | Reset to 00h |

6.3.82 LINK STATUS REGISTER – OFFSET C0h

| BIT | FUNCTION | TYPE | DESCRIPTION |
|-------|------------|------|---|
| 19:16 | Link Speed | RO | This field indicates the negotiated speed of the Express link 001: 2.5Gb/s link Reset to 1h |

| BIT | FUNCTION | TYPE | DESCRIPTION |
|-------|-----------------------------|------|--|
| 25:20 | Negotiated Link Width | RO | 000000: reserved 000001: x1 000010: x2 000100: x4 001000: x8 001100: x12 010000: x16 100000: x32 Reset to 000001 |
| 26 | Link Train Error | RO | Reset to 0 |
| 27 | Link Training | RO | Reset to 0 |
| 28 | Slot Clock Configuration | RO | Reset to 1 |
| 29 | Data Link Layer Link Active | RO | 0: Indicates the Data Link Active state 1: Indicates the Data Link Non-Active state Reset to 0 |
| 31:30 | Reserved | RO | Reset to 0 |

6.3.83 RESERVED REGISTER – OFFSET C4 – C8h

6.3.84 XPIP CONFIGURATION REGISTER 0 – OFFSET CCh

| BIT | FUNCTION | TYPE | DESCRIPTION |
|-------|--|------|----------------|
| 0 | Hot Reset Enable | RW | Reset to 0 |
| 1 | Loopback Function Enable | RW | Reset to 0 |
| 2 | Cross Link Function Enable | RW | Reset to 0 |
| 3 | Software Direct to Configuration State when in LTSSM state | RW | Reset to 0 |
| 4 | Internal Selection for Debug Mode | RW | Reset to 0 |
| 7:5 | Negotiate Lane Number of Times | RW | Reset to 3h |
| 12:8 | TS1 Number Counter | RW | Reset to 10h |
| 14:13 | Transmit N_FTS Number Control | RW | Reset to 0h |
| 15 | Compliance Pattern Parity Control | RW | Reset to 0 |
| 31:16 | LTSSM Enter L1 Timer Default Value | RW | Reset to 0400h |

6.3.85 XPIP CONFIGURATION REGISTER 1 – OFFSET D0h

| BIT | FUNCTION | TYPE | DESCRIPTION |
|-------|--------------------|------|----------------|
| 15:0 | L0s Lifetime Timer | RW | Reset to 0800h |
| 31:16 | L1 Lifetime Timer | RW | Reset to 0400h |

6.3.86 XPIP CONFIGURATION REGISTER 2 – OFFSET D4h

| BIT | FUNCTION | TYPE | DESCRIPTION |
|-------|---|------|--|
| 7:0 | CDR Recovery Time (in the number of FTS order sets) | RW | A Fast Training Sequence order set composes of one K28.5 (COM) Symbol and three K28.1 Symbols. Reset to 54h |
| 14:8 | L0's Exit to L0 Latency | RW | Reset to 2h |
| 15 | RXP/RXN Polarity Inversion Enable | RW | Reset to 1 |
| 22:16 | L1 Exit to L0 Latency | RW | Reset to 19h |

| BIT | FUNCTION | TYPE | DESCRIPTION |
|-------|----------------------|------|---|
| 23 | Power Down Wait Time | RW | Power management always waits a fixed time and then enters power down mode. Reset to 1 |
| 31:24 | Reserved | RO | Reset to 0h |

6.3.87 CAPABILITY ID REGISTER – OFFSET D8h

| BIT | FUNCTION | TYPE | DESCRIPTION |
|-----|--------------------------------|------|--------------|
| 7:0 | Capability ID for VPD Register | RO | Reset to 03h |

6.3.88 NEXT POINTER REGISTER – OFFSET D8h

| BIT | FUNCTION | TYPE | DESCRIPTION |
|------|--------------|------|--|
| 15:8 | Next Pointer | RO | Next pointer (F0h, points to MSI capabilities) Reset to F0h |

6.3.89 VPD REGISTER – OFFSET D8h

| BIT | FUNCTION | TYPE | DESCRIPTION |
|-------|----------------------------------|------|---|
| 17:16 | Reserved | RO | Reset to 0 |
| 23:18 | VPD Address for Read/Write Cycle | RW | Reset to 0 |
| 30:24 | Reserved | RO | Reset to 0 |
| 31 | VPD Operation | RW | 0: Generate a read cycle from the EEPROM at the VPD address specified in bits [7:2] of offset D8h. This bit remains at '0' until EEPROM cycle is finished, after which the bit is then set to '1'. Data for reads is available at register ECh. 1: Generate a write cycle to the EEPROM at the VPD address specified in bits [7:2] of offset D8h. This bit remains at '1' until EEPROM cycle is finished, after which it is then cleared to '0'. Reset to 0 |

6.3.90 VPD DATA REGISTER – OFFSET DCh

| BIT | FUNCTION | TYPE | DESCRIPTION |
|------|----------|------|--|
| 31:0 | VPD Data | RW | VPD Data (EEPROM data [address + 0x40]) The least significant byte of this register corresponds to the byte of VPD at the address specified by the VPD address register. The data read from or written to this register uses the normal PCI byte transfer capabilities. Reset to 0 |

6.3.91 EXTENDED CONFIGURATION ACCESS ADDRESS REGISTER – OFFSET E0h

| BIT | FUNCTION | TYPE | DESCRIPTION |
|-------|--------------------------|------|--------------|
| 7:0 | Register Number | RW | Reset to 00h |
| 11:8 | Extended Register Number | RW | Reset to 0h |
| 30:12 | Reserved | RO | Reset to 0 |

6.3.92 EXTENDED CONFIGURATION ACCESS DATA REGISTER – OFFSET E4h

| BIT | FUNCTION | TYPE | DESCRIPTION |
|------|------------------------------------|------|--|
| 31:0 | Extended Configuration Access Data | RW | Access to this register will access the internal configuration registers indexed by bit [11:0] at offset E0h Reset to 0 |

6.3.93 RESERVED REGISTERS – OFFSET E8h – ECh

6.3.94 MESSAGE SIGNALLED INTERRUPTS ID REGISTER – F0h

| BIT | FUNCTION | TYPE | DESCRIPTION |
|-----|---------------------------------|------|--------------|
| 7:0 | Capability ID for MSI Registers | RO | Reset to 05h |

6.3.95 NEXT CAPABILITIES POINTER REGISTER – F0h

| BIT | FUNCTION | TYPE | DESCRIPTION |
|------|--------------|------|--|
| 15:8 | Next Pointer | RO | Next pointer (00h indicates the end of capabilities) Reset to 00h |

6.3.96 MESSAGE CONTROL REGISTER – OFFSET F0h

| BIT | FUNCTION | TYPE | DESCRIPTION |
|-------|--------------------------|------|---|
| 16 | MSI Enable | RW | 0: Disable MSI and default to INTx for interrupt 1: Enable MSI for interrupt service and ignore INTx interrupt pins Reset to 0 |
| 19:17 | Multiple Message Capable | RO | 000: 1 message requested 001: 2 messages requested 010: 4 messages requested 011: 8 messages requested 100: 16 messages requested 101: 32 messages requested 110: reserved 111: reserved Reset to 000 |
| 22:20 | Multiple Message Enable | RW | 000: 1 message requested 001: 2 messages requested 010: 4 messages requested 011: 8 messages requested 100: 16 messages requested 101: 32 messages requested 110: reserved 111: reserved Reset to 000 |
| 23 | 64-bit Address Capable | RO | Reset to 1 |
| 31:24 | Reserved | RO | Reset to 00h |

6.3.97 MESSAGE ADDRESS REGISTER – OFFSET F4h

| BIT | FUNCTION | TYPE | DESCRIPTION |
|------|----------------------------------|------|--------------------|
| 1:0 | Reserved | RO | Reset to 00 |
| 31:2 | System Specified Message Address | RW | Reset to 00000000h |

6.3.98 MESSAGE UPPER ADDRESS REGISTER – OFFSET F8h

| BIT | FUNCTION | TYPE | DESCRIPTION |
|------|--|------|--------------------|
| 31:0 | System Specified Message Upper Address | RW | Reset to 00000000h |

6.3.99 MESSAGE DATA REGISTER – OFFSET FCh

| BIT | FUNCTION | TYPE | DESCRIPTION |
|-------|-------------------------------|------|----------------|
| 15:0 | System Specified Message Data | RW | Reset to 0000h |
| 31:16 | Reserved | RO | Reset to 0000h |

6.3.100 ADVANCE ERROR REPORTING CAPABILITY ID REGISTER – OFFSET 100h

| BIT | FUNCTION | TYPE | DESCRIPTION |
|------|---------------------------------------|------|----------------|
| 15:0 | Advance Error Reporting Capability ID | RO | Reset to 0001h |

6.3.101 ADVANCE ERROR REPORTING CAPABILITY VERSION REGISTER – OFFSET 100h

| BIT | FUNCTION | TYPE | DESCRIPTION |
|-------|--|------|-------------|
| 19:16 | Advance Error Reporting Capability Version | RO | Reset to 1h |

6.3.102 NEXT CAPABILITY OFFSET REGISTER – OFFSET 100h

| BIT | FUNCTION | TYPE | DESCRIPTION |
|-------|------------------------|------|--|
| 31:20 | Next Capability Offset | RO | Next capability offset (150h points to VC capability) Reset to 150h |

6.3.103 UNCORRECTABLE ERROR STATUS REGISTER – OFFSET 104h

| BIT | FUNCTION | TYPE | DESCRIPTION |
|-------|------------------------------------|------|-------------|
| 0 | Training Error Status | RWCS | Reset to 0 |
| 3:1 | Reserved | RO | Reset to 0 |
| 4 | Data Link Protocol Error Status | RWCS | Reset to 0 |
| 11:5 | Reserved | RO | Reset to 0 |
| 12 | Poisoned TLP Status | RWCS | Reset to 0 |
| 13 | Flow Control Protocol Error Status | RWCS | Reset to 0 |
| 14 | Completion Timeout Status | RWCS | Reset to 0 |
| 15 | Completer Abort Status | RWCS | Reset to 0 |
| 16 | Unexpected Completion Status | RWCS | Reset to 0 |
| 17 | Receiver Overflow Status | RWCS | Reset to 0 |
| 18 | Malformed TLP Status | RWCS | Reset to 0 |
| 19 | ECRC Error Status | RWCS | Reset to 0 |
| 20 | Unsupported Request Error Status | RWCS | Reset to 0 |
| 31:21 | Reserved | RO | Reset to 0 |

6.3.104 UNCORRECTABLE ERROR MASK REGISTER – OFFSET 108h

| BIT | FUNCTION | TYPE | DESCRIPTION |
|-----|---------------------|------|-------------|
| 0 | Training Error Mast | RWS | Reset to 0 |
| 3:1 | Reserved | RO | Reset to 0 |

| BIT | FUNCTION | TYPE | DESCRIPTION |
|-------|----------------------------------|------|-------------|
| 4 | Data Link Protocol Error Mask | RWS | Reset to 0 |
| 11:5 | Reserved | RO | Reset to 0 |
| 12 | Poisoned TLP Mask | RWS | Reset to 0 |
| 13 | Flow Control Protocol Error Mask | RWS | Reset to 0 |
| 14 | Completion Timeout Mask | RWS | Reset to 0 |
| 15 | Completion Abort Mask | RWS | Reset to 0 |
| 16 | Unexpected Completion Mask | RWS | Reset to 0 |
| 17 | Receiver Overflow Mask | RWS | Reset to 0 |
| 18 | Malformed TLP Mask | RWS | Reset to 0 |
| 19 | ECRC Error Mask | RWS | Reset to 0 |
| 20 | Unsupported Request Error Mask | RWS | Reset to 0 |
| 31:21 | Reserved | RO | Reset to 0 |

6.3.105 UNCORRECTABLE ERROR SEVERITY REGISTER – OFFSET 10Ch

| BIT | FUNCTION | TYPE | DESCRIPTION |
|-------|--------------------------------------|------|-------------|
| 0 | Training Error Severity | RWS | Reset to 1 |
| 3:1 | Reserved | RO | Reset to 0 |
| 4 | Data Link Protocol Error Severity | RWS | Reset to 1 |
| 11:5 | Reserved | RO | Reset to 0 |
| 12 | Poisoned TLP Severity | RWS | Reset to 0 |
| 13 | Flow Control Protocol Error Severity | RWS | Reset to 1 |
| 14 | Completion Timeout Severity | RWS | Reset to 0 |
| 15 | Completer Abort Severity | RWS | Reset to 0 |
| 16 | Unexpected Completion Severity | RWS | Reset to 0 |
| 17 | Receiver Overflow Severity | RWS | Reset to 1 |
| 18 | Malformed TLP Severity | RWS | Reset to 1 |
| 19 | ECRC Error Severity | RWS | Reset to 0 |
| 20 | Unsupported Request Error Severity | RWS | Reset to 0 |
| 31:21 | Reserved | RO | Reset to 0 |

6.3.106 CORRECTABLE ERROR STATUS REGISTER – OFFSET 110h

| BIT | FUNCTION | TYPE | DESCRIPTION |
|-------|---------------------------------|------|-------------|
| 0 | Receiver Error Status | RWCS | Reset to 0 |
| 5:1 | Reserved | RO | Reset to 0 |
| 6 | Bad TLP Status | RWCS | Reset to 0 |
| 7 | Bad DLLP Status | RWCS | Reset to 0 |
| 8 | REPLAY_NUM Rollover Status | RWCS | Reset to 0 |
| 11:9 | Reserved | RO | Reset to 0 |
| 12 | Replay Timer Timeout Status | RWCS | Reset to 0 |
| 13 | Advisory Non-Fatal Error Status | RWCS | Reset to 0 |
| 31:14 | Reserved | RO | Reset to 0 |

6.3.107 CORRECTABLE ERROR MASK REGISTER – OFFSET 114h

| BIT | FUNCTION | TYPE | DESCRIPTION |
|-----|---------------------|------|-------------|
| 0 | Receiver Error Mask | RWS | Reset to 0 |
| 5:1 | Reserved | RO | Reset to 0 |

| BIT | FUNCTION | TYPE | DESCRIPTION |
|-------|-------------------------------|------|---|
| 6 | Bad TLP Mask | RWS | Reset to 0 |
| 7 | Bad DLLP Mask | RWS | Reset to 0 |
| 8 | REPLAY_NUM Rollover Mask | RWS | Reset to 0 |
| 11:9 | Reserved | RO | Reset to 0 |
| 12 | Replay Timer Timeout Mask | RWS | Reset to 0 |
| 13 | Advisory Non-Fatal Error Mask | RWS | This bit is set by default to be compatible with software that does not comprehend Role-Based Error Reporting Reset to 1 |
| 31:14 | Reserved | RO | Reset to 0 |

6.3.108 ADVANCED ERROR CAPABILITIES AND CONTROL REGISTER – OFFSET 118h

| BIT | FUNCTION | TYPE | DESCRIPTION |
|------|-------------------------|------|-------------|
| 4:0 | First Error Pointer | ROS | Reset to 0h |
| 5 | ECRC Generation Capable | RO | Reset to 1 |
| 6 | ECRC Generation Enable | RWS | Reset to 0 |
| 7 | ECRC Check Capable | RO | Reset to 1 |
| 8 | ECRC Check Enable | RWS | Reset to 0 |
| 31:9 | Reserved | RO | Reset to 0 |

6.3.109 HEADER LOG REGISTER 1 – OFFSET 11Ch

| BIT | FUNCTION | TYPE | DESCRIPTION |
|-------|---------------|------|-------------|
| 7:0 | Header Byte 3 | ROS | Reset to 0 |
| 15:8 | Header Byte 2 | ROS | Reset to 0 |
| 23:16 | Header Byte 1 | ROS | Reset to 0 |
| 31:24 | Header Byte 0 | ROS | Reset to 0 |

6.3.110 HEADER LOG REGISTER 2 – OFFSET 120h

| BIT | FUNCTION | TYPE | DESCRIPTION |
|-------|---------------|------|-------------|
| 7:0 | Header Byte 7 | ROS | Reset to 0 |
| 15:8 | Header Byte 6 | ROS | Reset to 0 |
| 23:16 | Header Byte 5 | ROS | Reset to 0 |
| 31:24 | Header Byte 4 | ROS | Reset to 0 |

6.3.111 HEADER LOG REGISTER 3 – OFFSET 124h

| BIT | FUNCTION | TYPE | DESCRIPTION |
|-------|----------------|------|-------------|
| 7:0 | Header Byte 11 | ROS | Reset to 0 |
| 15:8 | Header Byte 10 | ROS | Reset to 0 |
| 23:16 | Header Byte 9 | ROS | Reset to 0 |
| 31:24 | Header Byte 8 | ROS | Reset to 0 |

6.3.112 HEADER LOG REGISTER 4 – OFFSET 128h

| BIT | FUNCTION | TYPE | DESCRIPTION |
|-------|----------------|------|-------------|
| 7:0 | Header Byte 15 | ROS | Reset to 0 |
| 15:8 | Header Byte 14 | ROS | Reset to 0 |
| 23:16 | Header Byte 13 | ROS | Reset to 0 |
| 31:24 | Header Byte 12 | ROS | Reset to 0 |

6.3.113 SECONDARY UNCORRECTABLE ERROR STATUS REGISTER – OFFSET 12Ch

| BIT | FUNCTION | TYPE | DESCRIPTION |
|-----|---|------|-------------|
| 0 | Target Abort on Split Completion Status | RWCS | Reset to 0 |

| BIT | FUNCTION | TYPE | DESCRIPTION |
|-------|--|------|-------------|
| 1 | Master Abort on Split Completion Status | RWCS | Reset to 0 |
| 2 | Received Target Abort Status | RWCS | Reset to 0 |
| 3 | Received Master Abort Status | RWCS | Reset to 0 |
| 4 | Reserved | RO | Reset to 0 |
| 5 | Unexpected Split Completion Error Status | RWCS | Reset to 0 |
| 6 | Uncorrectable Split Completion Message Data Error Status | RWCS | Reset to 0 |
| 7 | Uncorrectable Data Error Status | RWCS | Reset to 0 |
| 8 | Uncorrectable Attribute Error Status | RWCS | Reset to 0 |
| 9 | Uncorrectable Address Error Status | RWCS | Reset to 0 |
| 10 | Delayed Transaction Discard Timer Expired Status | RWCS | Reset to 0 |
| 11 | PERR_L Assertion Detected Status | RWCS | Reset to 0 |
| 12 | SERR_L Assertion Detected Status | RWCS | Reset to 0 |
| 13 | Internal Bridge Error Status | RWCS | Reset to 0 |
| 31:14 | Reserved | RO | Reset to 0 |

6.3.114 SECONDARY UNCORRECTABLE ERROR MASK REGISTER – OFFSET 130h

| BIT | FUNCTION | TYPE | DESCRIPTION |
|-------|--|------|-------------|
| 0 | Target Abort on Split Completion Mask | RWS | Reset to 0 |
| 1 | Master Abort on Split Completion Mask | RWS | Reset to 0 |
| 2 | Received Target Abort Mask | RWS | Reset to 0 |
| 3 | Received Master Abort Mask | RWS | Reset to 1 |
| 4 | Reserved | RO | Reset to 0 |
| 5 | Unexpected Split Completion Error Mask | RWS | Reset to 1 |
| 6 | Uncorrectable Split Completion Message Data Error Mask | RWS | Reset to 0 |
| 7 | Uncorrectable Data Error Mask | RWS | Reset to 1 |
| 8 | Uncorrectable Attribute Error Mask | RWS | Reset to 1 |
| 9 | Uncorrectable Address Error Mask | RWS | Reset to 1 |
| 10 | Delayed Transaction Discard Timer Expired Mask | RWS | Reset to 1 |
| 11 | PERR_L Assertion Detected Mask | RWS | Reset to 0 |
| 12 | SERR_L Assertion Detected Mask | RWS | Reset to 1 |
| 13 | Internal Bridge Error Mask | RWS | Reset to 0 |
| 31:14 | Reserved | RO | Reset to 0 |

6.3.115 SECONDARY UNCORRECTABLE ERROR SEVERITY REGISTER – OFFSET 134h

| BIT | FUNCTION | TYPE | DESCRIPTION |
|-----|---|------|-------------|
| 0 | Target Abort on Split Completion Severity | RWS | Reset to 0 |

| BIT | FUNCTION | TYPE | DESCRIPTION |
|-------|--|------|-------------|
| 1 | Master Abort on Split Completion Severity | RWS | Reset to 0 |
| 2 | Received Target Abort Severity | RWS | Reset to 0 |
| 3 | Received Master Abort Severity | RWS | Reset to 0 |
| 4 | Reserved | RO | Reset to 0 |
| 5 | Unexpected Split Completion Error Severity | RWS | Reset to 0 |
| 6 | Uncorrectable Split Completion Message Data Error Severity | RWS | Reset to 1 |
| 7 | Uncorrectable Data Error Severity | RWS | Reset to 0 |
| 8 | Uncorrectable Attribute Error Severity | RWS | Reset to 1 |
| 9 | Uncorrectable Address Error Severity | RWS | Reset to 1 |
| 10 | Delayed Transaction Discard Timer Expired Severity | RWS | Reset to 0 |
| 11 | PERR_L Assertion Detected Severity | RWS | Reset to 0 |
| 12 | SERR_L Assertion Detected Severity | RWS | Reset to 1 |
| 13 | Internal Bridge Error Severity | RWS | Reset to 0 |
| 31:14 | Reserved | RO | Reset to 0 |

6.3.116 SECONDARY ERROR CAPABILITY AND CONTROL REGISTER – OFFSET 138h

| BIT | FUNCTION | TYPE | DESCRIPTION |
|------|-------------------------------|------|-------------|
| 4:0 | Secondary First Error Pointer | ROS | Reset to 0 |
| 31:5 | Reserved | RO | Reset to 0 |

6.3.117 SECONDARY HEADER LOG REGISTER – OFFSET 13Ch – 148h

| BIT | FUNCTION | TYPE | DESCRIPTION |
|--------|---------------------------|------|---|
| 35:0 | Transaction Attribute | ROS | Transaction attribute, CBE [3:0] and AD [31:0] during attribute phase Reset to 0 |
| 39:36 | Transaction Command Lower | ROS | Transaction command lower, CBE [3:0] during first address phase Reset to 0 |
| 43:40 | Transaction Command Upper | ROS | Transaction command upper, CBE [3:0] during second address phase of DAC transaction Reset to 0 |
| 63:44 | Reserved | ROS | Reset to 0 |
| 95:64 | Transaction Address | ROS | Transaction address, AD [31:0] during first address phase Reset to 0 |
| 127:96 | Transaction Address | ROS | Transaction address, AD [31:0] during second address phase of DAC transaction Reset to 0 |

6.3.118 RESERVED REGISTER – OFFSET 14Ch

6.3.119 VC CAPABILITY ID REGISTER – OFFSET 150h

| BIT | FUNCTION | TYPE | DESCRIPTION |
|------|------------------|------|----------------|
| 15:0 | VC Capability ID | RO | Reset to 0002h |

6.3.120 VC CAPABILITY VERSION REGISTER – OFFSET 150h

| BIT | FUNCTION | TYPE | DESCRIPTION |
|-------|-----------------------|------|---------------|
| 19:16 | VC Capability Version | RO | Reset to 0001 |

6.3.121 NEXT CAPABILITY OFFSET REGISTER – OFFSET 150h

| BIT | FUNCTION | TYPE | DESCRIPTION |
|-------|------------------------|------|--|
| 31:20 | Next Capability Offset | RO | Next capability offset – the end of capabilities Reset to 0 |

6.3.122 PORT VC CAPABILITY REGISTER 1 – OFFSET 154h

| BIT | FUNCTION | TYPE | DESCRIPTION |
|-------|-----------------------------------|------|-------------|
| 2:0 | Extended VC Count | RO | Reset to 0 |
| 3 | Reserved | RO | Reset to 0 |
| 6:4 | Low Priority Extended VC Count | RO | Reset to 0 |
| 7 | Reserved | RO | Reset to 0 |
| 9:8 | Reference Clock | RO | Reset to 0 |
| 11:10 | Port Arbitration Table Entry Size | RO | Reset to 0 |
| 31:12 | Reserved | RO | Reset to 0 |

6.3.123 PORT VC CAPABILITY REGISTER 2 – OFFSET 158h

| BIT | FUNCTION | TYPE | DESCRIPTION |
|-------|-----------------------------|------|-------------|
| 7:0 | VC Arbitration Capability | RO | Reset to 0 |
| 23:8 | Reserved | RO | Reset to 0 |
| 31:24 | VC Arbitration Table Offset | RO | Reset to 0 |

6.3.124 PORT VC CONTROL REGISTER – OFFSET 15Ch

| BIT | FUNCTION | TYPE | DESCRIPTION |
|------|---------------------------|------|-------------|
| 0 | Load VC Arbitration Table | RO | Reset to 0 |
| 3:1 | VC Arbitration Select | RO | Reset to 0 |
| 15:4 | Reserved | RO | Reset to 0 |

6.3.125 PORT VC STATUS REGISTER – OFFSET 15Ch

| BIT | FUNCTION | TYPE | DESCRIPTION |
|-------|-----------------------------|------|-------------|
| 16 | VC Arbitration Table Status | RO | Reset to 0 |
| 31:17 | Reserved | RO | Reset to 0 |

6.3.126 VC0 RESOURCE CAPABILITY REGISTER – OFFSET 160h

| BIT | FUNCTION | TYPE | DESCRIPTION |
|-------|-----------------------------|------|-------------|
| 7:0 | Port Arbitration Capability | RO | Reset to 0 |
| 13:8 | Reserved | RO | Reset to 0 |
| 14 | Advanced Packet Switching | RO | Reset to 0 |
| 15 | Reject Snoop Transactions | RO | Reset to 0 |
| 22:16 | Maximum Time Slots | RO | Reset to 0 |

| BIT | FUNCTION | TYPE | DESCRIPTION |
|-------|-------------------------------|------|-------------|
| 23 | Reserved | RO | Reset to 0 |
| 31:24 | Port Arbitration Table Offset | RO | Reset to 0 |

6.3.127 VC0 RESOURCE CONTROL REGISTER – OFFSET 164h

| BIT | FUNCTION | TYPE | DESCRIPTION |
|-------|-----------------------------|------|--------------------------------|
| 0 | TC / VC Map | RO | For TC0 Reset to 1 |
| 7:1 | TC / VC Map | RW | For TC7 to TC1 Reset to 7Fh |
| 15:8 | Reserved | RO | Reset to 0 |
| 16 | Load Port Arbitration Table | RO | Reset to 0 |
| 19:17 | Port Arbitration Select | RO | Reset to 0 |
| 23:20 | Reserved | RO | Reset to 0 |
| 26:24 | VC ID | RO | Reset to 0 |
| 30:27 | Reserved | RO | Reset to 0 |
| 31 | VC Enable | RO | Reset to 1 |

6.3.128 VC0 RESOURCE STATUS REGISTER – OFFSET 168h

| BIT | FUNCTION | TYPE | DESCRIPTION |
|------|--------------------------|------|-------------|
| 0 | Port Arbitration Table 1 | RO | Reset to 0 |
| 1 | VC0 Negotiation Pending | RO | Reset to 0 |
| 31:2 | Reserved | RO | Reset to 0 |

6.3.129 RESERVED REGISTERS – OFFSET 16Ch – 2FCh

6.3.130 EXTENDED GPIO DATA AND CONTROL REGISTER – OFFSET 300h

| BIT | FUNCTION | TYPE | DESCRIPTION |
|-------|---|------|-------------|
| 2:0 | Extended GPIO Output Write-1-to-Clear | RW | Reset to 0 |
| 5:3 | Extended GPIO Output Write-1-to-Set | RW | Reset to 0 |
| 8:6 | Extended GPIO Output Enable Write-1-to-Clear | RW | Reset to 0 |
| 11:9 | Extended GPIO Output Enable Write-1-to-Set | RW | Reset to 0 |
| 14:12 | Extended GPIO Input Data Register | RO | Reset to 0 |
| 31:15 | Reserved | RO | Reset to 0 |

6.3.131 EXTENDED GPI/GPO DATA AND CONTROL REGISTER – OFFSET 304h

| BIT | FUNCTION | TYPE | DESCRIPTION |
|-------|--|------|--|
| 2:0 | Extended GPO Output Write-1-to-Clear | RW | GPI/GPO Data and Control Register is only valid when external arbiter is used. Reset to 0 |
| 5:3 | Extended GPO Output Write-1-to-Set | RW | Reset to 0 |
| 7:6 | Reserved | RO | Reset to 0 |
| 10:8 | Extended GPO Output Enable Write-1-to-Clear | RW | Reset to 0 |
| 13:11 | Extended GPO Output Enable Write-1-to-Set | RW | Reset to 0 |
| 15:14 | Reserved | RO | Reset to 0 |
| 18:16 | Extended GPI Input Data Register | RO | Reset to 0 |
| 31:19 | Reserved | RO | Reset to 0 |

6.3.132 RESERVED REGISTERS – OFFSET 308h – 30Ch

6.3.133 REPLAY AND ACKNOWLEDGE LATENCY TIMERS – OFFSET 310h

| BIT | FUNCTION | TYPE | DESCRIPTION |
|-------|----------------------------------|------|--|
| 11:0 | Replay Timer | RW | Replay Timer Reset to 115h |
| 12 | Replay Timer Enable | RW | Replay Timer Enable Reset to 0 |
| 15:13 | Reserved | RO | Reset to 0 |
| 29:16 | Acknowledge Latency Timer | RW | Acknowledge Latency Timer Reset to CDh |
| 30 | Acknowledge Latency Timer Enable | RW | Acknowledge Latency Timer Enable Reset to 0 |
| 31 | Reserved | RO | Reset to 0 |

6.3.134 RESERVED REGISTERS – OFFSET 314h – FFCh

7 GPIO PINS

GPIO[3:0] can be further defined to serve other functions in the further generations.

With 128QFP package, additional three GPI and three GPO pins can be used when external arbiter is selected, and REQ_L[3:1] and GNT_L[3:1] will be mapped to GPI[2:0] and GPO[2:0] respectively.

8 CLOCK SCHEME

PCI Express Interface:

PI7C9X118SL requires 100MHz differential clock inputs through the pins of REFCLKP and REFCLKN.

PCI Interface:

PI7C9X118SL generates four clock outputs, from either external clock input (1MHz to 66MHz) at CLKIN or internal clock generator:

PI7C9X118SL can use configuration control to enable or disable the secondary clock output: CLKOUT[3:0].

PI7C9X118SL used either internally feedbacked clock from CLKOUT[0] or external clock input applied at CLKOUT[0], for internal secondary interface logic.

For using internal clock source, the internal clock generator needs to be enabled with CLKIN driven high or low. CLKIN and M66EN signals become the selection for PCI Frequency at 50MHz/25MHz or 66MHz/33MHz.

Table 8-1 Frequency of PCI CLKOUT with internal clock source:

| CLKIN | M66EN | PCI Clock |
|-------|-------|-----------|
| 0 | 0 | 33MHz |
| 0 | 1 | 66MHz |
| 1 | 0 | 25MHz |
| 1 | 1 | 50MHz |

The PI7C9X118SL PCI Clock Outputs, CLKOUT [3:0], can be enabled or disabled through the configuration register.

PI7C9X118SL supports three different implementations of PCI clock.

- Internal clock generator, and internal clock buffering.
 - Internal feedback
 - External feedback
- External clock source, and internal clock buffering.
 - Internal feedback
 - External feedback
- External clock source, and external clock buffering.

Figure 8-1 Topology of Internal Clock Generator and Internal Clock Buffering – Internal Feedback Mode

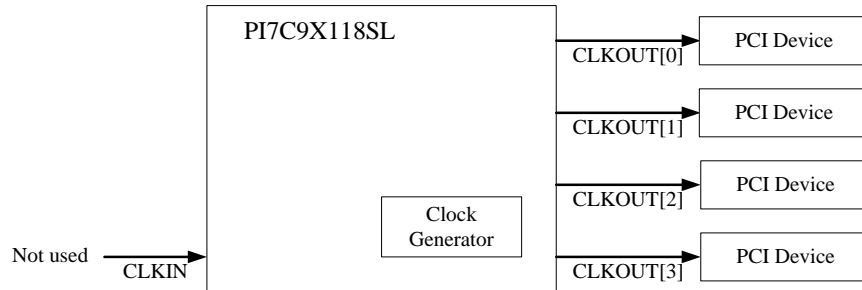


Figure 8-2 Topology of Internal Clock Generator and Internal Clock Buffering – External Feedback Mode

Note: Drawing removed. Please refer to item #5 of PI7C9X118SL Errata.

Figure 8-3 Topology of External Clock Generator and Internal Clock Buffering – Internal Feedback Mode

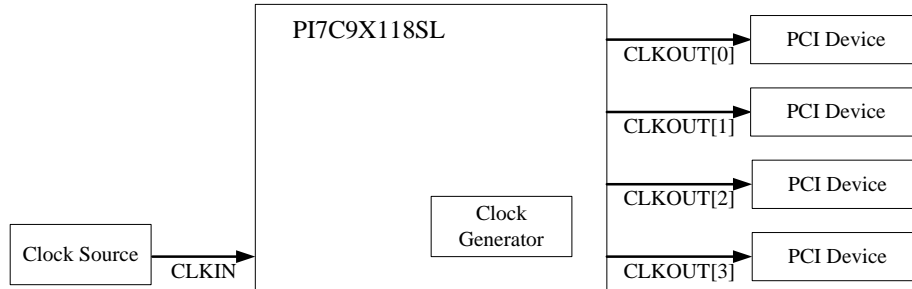
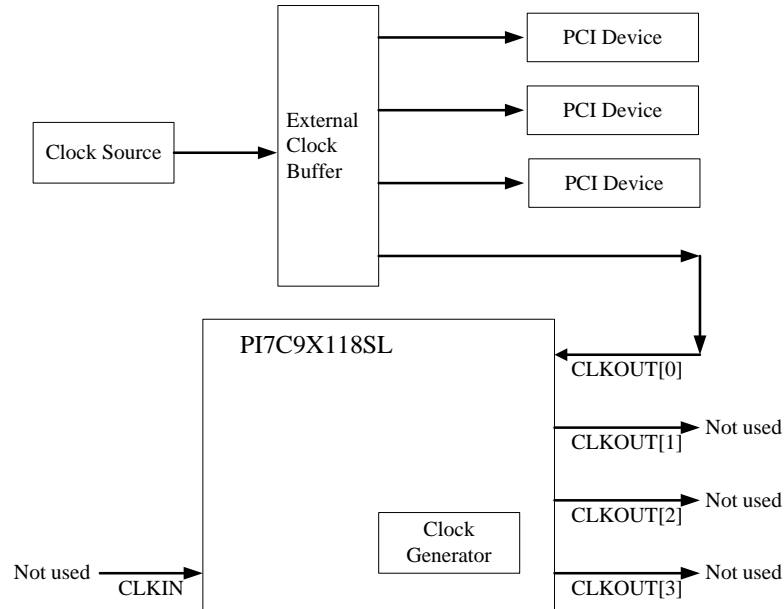


Figure 8-4 Topology of External Clock Generator and Internal Clock Buffering – External Feedback Mode

Note: Drawing removed. Please refer to item #5 of PI7C9X118SL Errata.

In this configuration, user simply connects the external clock source to CLKIN pin. And user needs to make sure the clock is preset (toggling) before the fundamental reset de-asserted (e.g. PERST_L). In this mode, the frequency is the same as the input clock source.

Figure 8-5 Topology of External Clock Generator and External Clock Buffering



In this configuration, user simply connects the external clock from the clock buffers to CLKOUT0. And user needs to make sure the clock is preset (toggling) before the fundamental reset de-asserted (e.g. PERST_L deassertion).

9 INTERRUPTS

PI7C9X118SL supports interrupt message packets on PCIe side. PI7C9X118SL supports PCI interrupt (INTA, B, C, D) pins or MSI (Message Signaled Interrupts) on PCI side. PCI interrupts and MSI are mutually exclusive. In other words, if MSI is enabled, PCI interrupts will be disabled. PI7C9X118SL support 64-bit addressing MSI.

PI7C9X118SL maps the PCI interrupts pins or MSI if enable on PCI side to interrupt message packets on PCIe side.

There are eight interrupt message packets. They are Assert_INTA, Assert_INTB, Assert_INTC, Assert_INTD, Deassert_INTA, Deassert_INTB, Deassert_INTC, and Deassert_INTD. PI7C9X118SL tracks the PCI interrupt (INTA, INTB, INTC, and INTD) pins and maps them to the eight interrupt messages. See Table 9-1 for interrupt mapping information.

Table 9-1 PCI Interrupt to PCIe Interrupt Message Mapping in Forward Bridge Mode

| PCI Interrupts (from sources of interrupts) | PCIe Interrupt message packets (to host controller) |
|---|---|
| INTA | INTA message |
| INTB | INTB message |
| INTC | INTC message |
| INTD | INTD message |

10 EEPROM (I2C) INTERFACE AND SYSTEM MANAGEMENT BUS

10.1 EEPROM (I2C) INTERFACE

PI7C9X118SL supports EEPROM interface through I2C bus. In EEPROM interface, pin 4 is the EEPROM clock (SCL) and pin 6 is the EEPROM data (SDL). TM1 and TM0 are strapped to logic low to select EEPROM interface. EEPROM (I2C) interface is enabled with TM1=0 and TM0=0. When EEPROM interface is selected, SCL is an output. SCL is the I2C bus clock to the I2C device. In addition, SDL is a bi-directional signal for sending and receiving data.

10.2 EEPROM AUTOLOAD CONFIGURATION

| EEPROM Byte Addresses | Cfg Offset | Description |
|-----------------------|------------|---|
| 00-01h | | EEPROM signature: Autoload will only proceed if it reads a value of 1516h on the first word loaded. |
| 02h | | Region Enable: Enables or disables certain regions of PCI configuration space from being loaded from the EEPROM. bit 0: reserved bit 4-1: 0000=stop autoload at offset 0Bh: Group 1 0001=stop autoload at offset 67h: Group 2 0011=stop autoload at offset AFh: Group 3 0111=stop autoload at offset D7h: Group 4 other combinations are undefined bit 7-5: reserved |
| 03h | | Enable Miscellaneous functions: (for transparent mode only) bit 0: ISA Enable control bit write protect: when this bit is set, 9x111 will change the bit 2 of 3Eh into RO, and ISA enable feature will not be available. |
| 04-05h | 00-01h | Vendor ID |
| 06-07h | 02-03h | Device ID |
| 08h | 08h | Revision ID |
| 09h | 09h | Class Code: low bytes of Class Code register |
| 0A-0Bh | 0A-0Bh | Class Code higher bytes: upper bytes of Class Code register |
| 0Ch | 34h | Capability Pointer |
| 0D-0Eh | 40-41h | PCI data prefetching control |
| 0F-10h | 42-43h | Chip control 0 |
| 11-14h | 48-4Bh | Arbiter Mode/Enable/Priority |
| 15-18h | 68-6Bh | PCIE Transmitter/Receiver control |
| 19-1Ah | 81-82h | PCIX Capability |
| 1Bh | 108h | Uncorrectable Error Mask register |
| 1C-1Eh | 91-93h | Power Management Capability |
| 1F-21h | A1-A3h | SI Capability |
| 22-25h | A4-A7h | Secondary Clock and Clkrun Control |
| 26-29h | A8-ABh | SSID/SSVID Capability |
| 2A-2Dh | AC-AFh | SSID/SSVID |
| 2E-30h | B1-B3h | PCI Express Capabilities |
| 31-34h | B4-B7h | Device Capabilities |
| 35-38h | BC-BFh | Link Capabilities |
| 39-3Ch | C4-C7h | Slot Capabilities |
| 3D-40h | CC-CFh | XPIP Configuration Register 0 |
| 41-44h | D0-D3h | XPIP Configuration Register 1 |
| 45-48h | D4-D7h | XPIP Configuration Register 2 |
| 49-4Ah | D9-DAh | VPD Capability |
| 4B-4Ch | F1-F2h | MSI Capability |
| 4Dh | 100h | Advance Error Reporting Capability |
| 4E-4Fh | 109-10Ah | Uncorrectable Error Mask register |
| 50-51h | E0-E1h | Extended Cfg Access Address |
| 52-55h | E4-E7h | Extended Cfg Access Data |
| 56-57h | E0-E1h | Extended Cfg Access Address |
| 58-5Bh | E4-E7h | Extended Cfg Access Data |
| 5C-5Dh | E0_E1h | Extended Cfg Access Address |

| EEPROM Byte Addresses | Cfg Offset | Description |
|-----------------------|------------|---|
| 5E-61h | E4-E7h | Extended Cfg Access Data |
| 62-63h | E0_E1h | Extended Cfg Access Address |
| 64-67h | E4-E7h | Extended Cfg Access Data |
| 68-77h | | Reserved |
| 79-7Bh | 79-7Bh | GPIO Data and Control |
| 7C-7Dh | | Reserved |
| 7Eh | 86h | PCIX Bridge status |
| 7F-82h | 88-8Bh | Upstream Split Transaction |
| 83-86h | 8C-8Fh | Downstream Split Transaction |
| 87-8Ah | 94-97h | PM Control and Status |
| 8B-8Eh | B4-B7h | Device Capabilities |
| 8F-91h | B8-BAh | Device Control/Status |
| 92h | | Reserved |
| 93h | C0h | Link Control/Status |
| 94h | | Reserved |
| 95-96h | C2-C3h | Link Control/Status |
| 97-98h | C8-C9h | Slot Control/Status |
| 99-9Ah | 3C-3Dh | Interrupt Control |
| 9B-9Eh | DC-DFh | VPD data |
| 9F-A2h | F4-F7h | Message Address |
| A3-A6h | F8-FBh | Message Upper Address |
| A7-A8h | FC-FDh | Message Data |
| A9h | | Reserved |
| AA-ABh | 7C-7Dh | Sec Interrupt Control |
| AC-ADh | 310-311h | Replay Timer |
| AE-AFh | 312-313h | Ack Latency Timer |
| B0-B3h | 04-07h | Command/Status |
| B4-B6h | 0C-0Eh | Cacheline/Primary Latency Timer/Header Type |
| B7h | | Reserved |
| B8-BBh | 18-1Bh | Bus Number/Secondary Latency Timer |
| BC-BFh | 1C-1Fh | I/O Base/Limit / Secondary Status |
| C0-C3h | 20-23h | Memory Base/Limit |
| C4-C7h | 24-27h | Prefetch Memory Base/Limit |
| C8-CBh | 28-2Bh | Prefetch Upper 32 Base |
| CC-CFh | 2C-2Fh | Prefetch Upper 32 Limit |
| D0-D3h | 30-33h | I/O Upper 16 Base/Limit |
| D4-D5h | | Reserved |
| D6-D7h | 3E-3Fh | Bridge Control |
| D8-FFh | | Reserved |

11 RESET SCHEME

PI7C9X118SL requires the fundamental reset (PERST_L) input for internal logic. Also, PI7C9X118SL has a power-on-reset (POR) circuit to detect VDDCAUX power supply for auxiliary logic control.

- Cold Reset:

A cold reset is a fundamental or power-on reset that occurs right after the power is applied to PI7C9X118SL (during initial power up). See section 7.1.1 of PCI Express to PCI Bridge Specification, Revision 1.0 for details.

- Warm Reset:

A warm reset is a reset that triggered by the hardware without removing and re-applying the power sources to PI7C9X118SL.

- Hot Reset:

A hot reset is a reset that used an in-band mechanism for propagating reset across a PCIe link to PI7C9X118SL. PI7C9X118SL will enter to training control reset when it receives two consecutive TS1 or TS2 order-sets with reset bit set.

- DL_DOWN Reset:

If the PCIe link goes down, the Transaction and Data Link Layer will enter DL_DOWN status. PI7C9X118SL discards all transactions and returns all logic and registers to initial state except the sticky registers.

Upon receiving reset (cold, warm, hot, or DL_DOWN) on PCIe interface, PI7C9X118SL will generate PCI reset (RESET_L) to the downstream devices on the PCI bus in forward bridge mode. The PCI reset de-assertion follows the de-assertion of the reset received from PCIe interface. The reset bit of Bridge Control Register may be set depending on the application. PI7C9X118SL will tolerant to receive and process SKIP order-sets at an average interval between 1180 to 1538 Symbol Times. PI7C9X118SL does not keep PCI reset active when VD33 power is off even though VAUX (3.3v) is supported. It is recommended to add a weak pull-down resistor on its application board to ensure PCI reset is low when VD33 power is off (see section 7.3.2 of PCI Bus Power management Specification Revision 1.1).

PI7C9X118SL transmits one Electrical Idle order-set and enters to Electrical Idle.

12 IEEE 1149.1 COMPATIBLE JTAG CONTROLLER

An IEEE 1149.1 compatible Test Access Port (TAP) controller and associated TAP pins are provided to support boundary scan in PI7C9X118SL for board-level continuity test and diagnostics. The supported TAP pins are TCK, TDI, TDO and TMS. All digital input, output, input/output pins are tested except TAP pins.

The IEEE 1149.1 Test Logic consists of a TAP controller, an instruction register, and a group of test data registers including Bypass and Boundary Scan registers. The TAP controller is a synchronous 16-state machine driven by the Test Clock (TCK) and the Test Mode Select (TMS) pins. An independent power on reset circuit is provided to ensure the machine is in TEST_LOGIC_RESET state at power-up. The JTAG signal lines are not active when the PCI resource is operating PCI bus cycles.

12.1 INSTRUCTION REGISTER

PI7C9X118SL implements a 5-bit Instruction register to control the operation of the JTAG logic. The defined instruction codes are shown in Table 12-1. Those bit combinations that are not listed are equivalent to the BYPASS (1111) instruction:

Table 12-1 Instruction Register Codes

| Instruction | Operation Code (binary) | Register Selected | Operation |
|-------------|-------------------------|-------------------|---|
| EXTEST | 00000 | Boundary Scan | Drives / receives off-chip test data |
| SAMPLE | 00001 | Boundary Scan | Samples inputs / pre-loads outputs |
| HIGHZ | 00101 | Bypass | Tri-states output and I/O pins except TDO pin |
| CLAMP | 00100 | Bypass | Drives pins from boundary-scan register and selects Bypass register for shifts |
| IDCODE | 01100 | Device ID | Accesses the Device ID register, to read manufacturer ID, part number, and version number |
| BYPASS | 11111 | Bypass | Selected Bypass Register |
| INT_SCAN | 00010 | Internal Scan | Scan test |
| MEM_BIST | 01010 | Memory BIST | Memory BIST test |

12.2 BYPASS REGISTER

The required bypass register (one-bit shift register) provides the shortest path between TDI and TDO when a bypass instruction is in effect. This allows rapid movement of test data to and from other components on the board. This path can be selected when no test operation is being performed on the PI7C9X118SL.

12.3 DEVICE ID REGISTER

This register identifies Pericom as the manufacturer of the device and details the part number and revision number for the device.

Table 12-2 JTAG Device ID Register

| Bit | Type | Value | Description |
|-------|------|-------|--|
| 31:28 | RO | 01h | Version number |
| 27:12 | RO | E110h | Last 4 digits (hex) of the die part number |
| 11:1 | RO | 23Fh | Pericom identifier assigned by JEDEC |
| 0 | RO | 1b | Fixed bit equal to 1'b1 |

12.4 BOUNDARY SCAN REGISTER

The boundary scan register has a set of serial shift-register cells. A chain of boundary scan cells is formed by connected the internal signal of the PI7C9X118SL package pins. The VDD, VSS, and JTAG pins are not in the boundary scan chain. The input to the shift register is TDI and the output from the shift register is TDO. There are 4 different types of boundary scan cells, based on the function of each signal pin.

The boundary scan register cells are dedicated logic and do not have any system function. Data may be loaded into the boundary scan register master cells from the device input pins and output pin-drivers in parallel by the mandatory SAMPLE and EXTEST instructions. Parallel loading takes place on the rising edge of TCK.

12.5 JTAG BOUNDARY SCAN REGISTER ORDER

TBD

13 POWER MANAGEMENT

PI7C9X118SL supports D0, D3-hot, D3-cold Power States. D1 and D2 states are not supported. The PCI Express Physical Link Layer of the PI7C9X118SL device supports the PCI Express Link Power Management with L0, L0s, L1, L2/L3 ready and L3 Power States. For the PCI Port of PI7C9X118SL, it supports the standard PCI Power Management States with B0, B1, B2 and B3.

During D3-hot state, the main power supplies of VDDP, VDDC, and VD33 can be turned off to save power while keeping the VDDAUX, VDDCAUX, and VAUX with the auxiliary power supplies to maintain all necessary information to be restored to the full power D0 state. PI7C9X118SL has been designed to have sticky registers that are powered by auxiliary power supplies. PME_L pin allows PCI devices to request power management state changes. Along with the operating system and application software, PCI devices can achieve optimum power saving by using PME_L. PI7C9X118SL converts PME_L signal information to power management messages to the upstream switches or root complex.

PI7C9X118SL also supports ASPM (Active State Power Management) to facilitate the link power saving.

PI7C9X118SL supports WAKE_L signal but does not support beacon generation during power management.

14 POWER SEQUENCING

The PI7C9X118SL requires two voltages: 3.3V I/O voltage and 1.1V core voltage. The 1.1V VDDCAUX is considered the same as core voltage, and can be combined as one. When designing the power supplies for PI7C9X118SL, the user can either apply ALL voltages at the same time, or turn on the higher voltage (3.3V) first, followed by the lower voltages (1.1V) within suggested limits. If all power rails are not applied at the same time, the PI7C9X118SL will not be damaged as long as 3.3V is applied either before or at the same time as 1.1V.

During power cycle, if there is a delay in applying 1.1V core voltage after the 3.3V is applied, the internal logic might be placed in an unknown state if the power off period is not long enough to cause PI7C9X118SL totally discharged. This condition in turn may produce undetermined I/O states on some pins. If the core logic is totally discharged before applying 3.3V, then all bi-directional I/O pins will stay at their default states.

The typical time for PI7C9X118SL to discharge completely is less than 3 seconds, but in extreme cases this period can be as long as 50 seconds. Certain precautions should be made if the delay between 3.3V and 1.1V is larger than 50us. Figure 14-1 below shows the I/O timing sequence with undetermined I/O state, and Figure 14-2 shows the recommended power sequence timing.

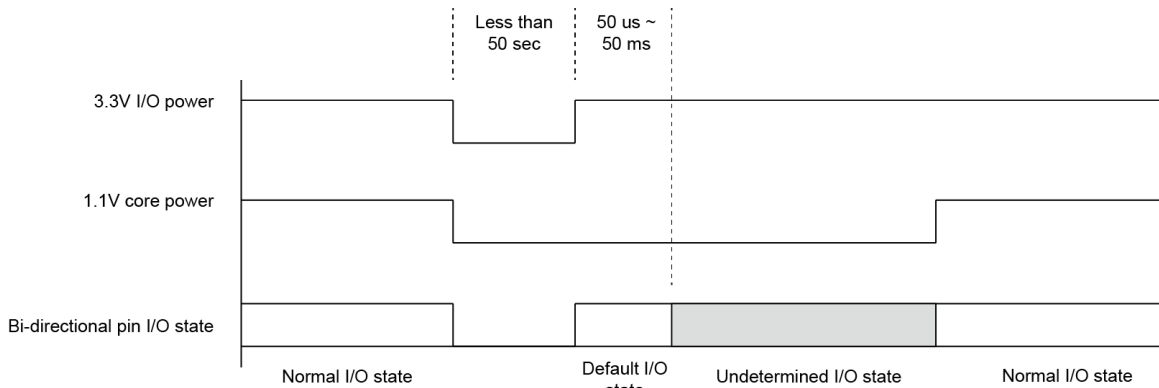


Figure 14-1 Timing Sequence with Undetermined I/O State

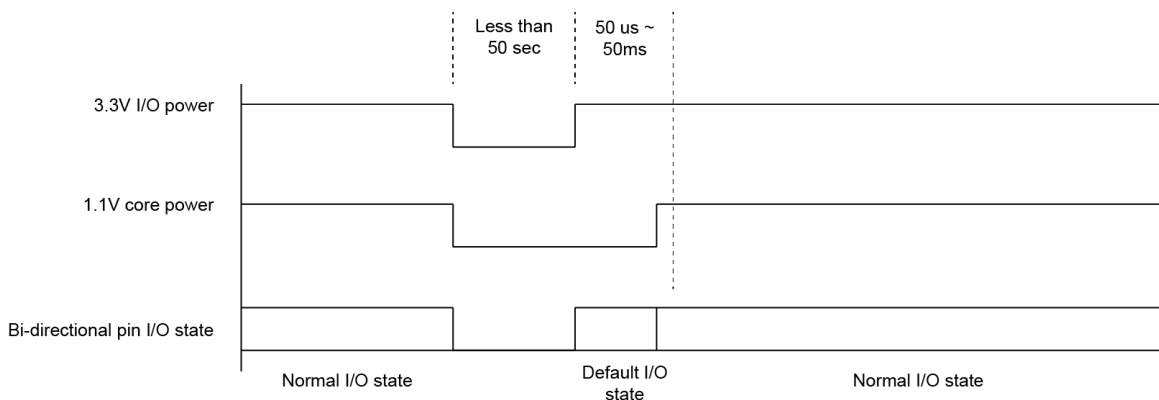


Figure 14-2 Recommended Power Sequence

If the gap between 3.3V IO power and 1.1V core power is too big, there might be glitch at pin RESET_L. The maximum gap is recommended to be 50us~50ms, customer needs to measure the waveform of RESET_L to make sure there is no glitch during the gap.

14.1 INITIAL POWER-UP (G3 TO L0)

As long as PERST# is active, all PCI Express functions are held in reset. The main supplies ramp up to their specified levels (3.3V and 12V). Sometime during this stabilization time, the REFCLK starts and stabilizes. After there has been time (T_{PVPERL}) for the power and clock to become stable, PERST# is deasserted high and the PCI Express functions can start up.

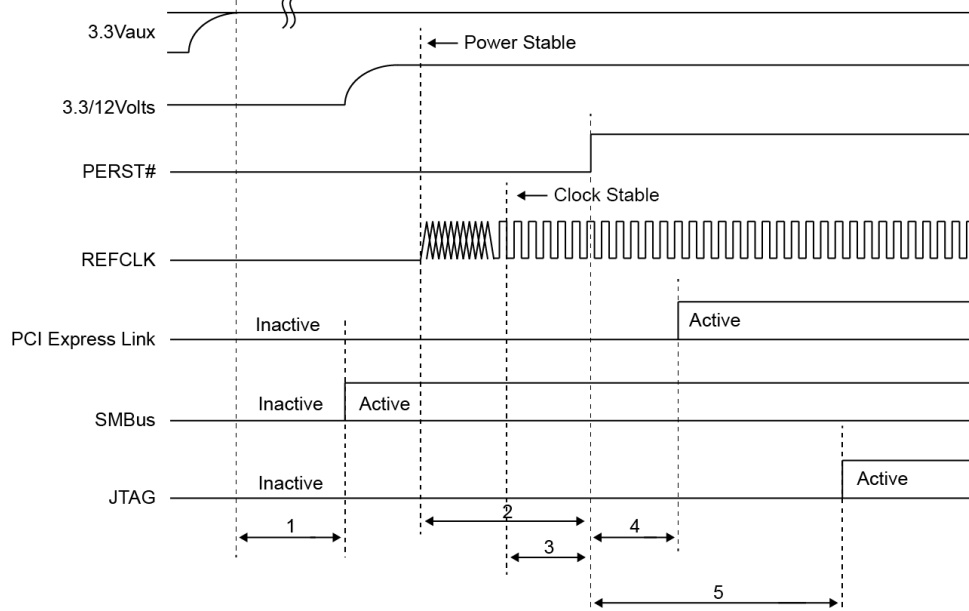


Figure 14-3 Initial Power-up

1. 3.3Vaux stable to SMBus driven (optional). If no 3.3Vaux on platform, the delay is from +3.3V stable
2. Minimum time from power rails within specified tolerance to PERST# inactive (T_{PVPERL})
3. Minimum clock valid to PERST# inactive ($T_{PERST-CLK}$)
4. Minimum PERST# inactive to PCI Express link out of electrical idle
5. Minimum PERST# inactive to JTAG driven (optional)

Table 14-1 Power Sequencing and Reset Signal Timings

| Symbol | Parameter | Min | Max | Units |
|-------------------|---------------------------------------|-----|-----|---------|
| T_{PVPERL}^1 | Power stable to PERST# inactive | 100 | | ms |
| $T_{PERST-CLK}^2$ | REF CLK stable before PERST# inactive | 100 | | μ s |
| T_{PERST} | PERST# active time | 100 | | μ s |
| T_{FAIL}^3 | Power level invalid to PERST# active | | 500 | ns |
| T_{WKRF}^4 | WAKE# rise – fall time | | 100 | ns |

Note:

1. Any supplied power is stable when it meets the requirements specified for that power supply.
2. A supplied reference clock is stable when it meets the requirements specified for the reference clock. The PEREST# signal is asserted and de-asserted asynchronously with respect to the supplied reference clock.
3. The PEREST# signal must be asserted within T_{FAIL} of any supplied power going out specification.
4. Measured from WAKE# assertion/de-assertion to valid input level at the system PM controller. Since WAKE# is an open-drain signal, the rise time is dependent on the total capacitance on the platform and the system board pull-up resistor. It is the responsibility of the system designer to meet the rise time specification.

14.2 POWER-OFF SEQUENCE

The power off sequence is the reverse of the power on sequence, that is, asserts the PERST# first, then after $T_{\text{PERST_CLK}}$ disable the REFCLK, and power off core power and I/O power, but I/O power off should be the same time or later than the core power off.

15 ELECTRICAL AND TIMING SPECIFICATIONS

15.1 ABSOLUTE MAXIMUM RATINGS

Table 15-1 Absolute Maximum Ratings

(Above which the useful life may be impaired. For user guidelines, not tested.)

| Item | Rating |
|--|----------------|
| Storage Temperature | -65°C to 150°C |
| PCI Express supply voltage to ground potential (VDDA, VDDC, and VDDCAUX) | -0.3v to 1.3v |
| PCI supply voltage to ground potential (VD33, VDDA33 and VAUX) | -0.3v to 3.8v |
| DC input voltage for PCI Express signals | -0.3v to 1.3v |
| DC input voltage for PCI signals | -0.3v to 5.75v |

Note:

Stresses greater than those listed under MAXIMUM RATINGS may cause permanent damage to the device. This is a stress rating only and functional operation of the device at these or any conditions above those indicated in the operational sections of this specification is not implied. Exposure to absolute maximum rating conditions for extended periods of time may affect reliability.

15.2 DC SPECIFICATIONS

Table 15-2 DC Electrical Characteristics

| Symbol | Description | Condition | Min. | Typ. | Max. | Unit |
|--------------------|--|----------------------------|------|------|------|------|
| VDDA | Analog Power Supply for PCI Express Interface | | 1.1 | 1.15 | 1.2 | V |
| VDDA33 | High Power Supply for PCI Express Interface | | 3.0 | 3.3 | 3.6 | V |
| VDDC | Digital Power Supply for the Core | | 1.1 | 1.15 | 1.2 | V |
| VDDCAUX | Digital Auxiliary Power Supply for the Core | | 1.1 | 1.15 | 1.2 | V |
| VD33 | Digital Power Supply for PCI Interface | | 3.0 | 3.3 | 3.6 | V |
| VAUX | Digital Auxiliary Power Supply for PCI Interface | | 3.0 | 3.3 | 3.6 | V |
| V _{IH} | PCI Input High Voltage | | 1.55 | | 5.5 | V |
| V _{IL} | PCI Input Low Voltage | | -0.3 | | 1.08 | V |
| I _{IL} | PCI Input Leakage Current | 0 < V _{IN} < VD33 | | | ±10 | μA |
| V _{OH} | PCI Output High Voltage | I _{out} = -500μA | 2.7 | | | V |
| V _{OL} | PCI Output Low Voltage | I _{out} = 1500μA | | | 0.36 | V |
| C _{IN} | PCI Input Pin Capacitance | | | | 10 | pF |
| C _{CLK} | PCI CLK Pin Capacitance | | 5 | | 12 | pF |
| C _{IDSEL} | PCI IDSEL Pin Capacitance | | | | 8 | pF |

In order to support auxiliary power management fully, it is recommended to have VD33/VDDC and VAUX/VDDCAUX separated. However, if auxiliary power management is not required, VD33 and VDDC can be connected to VAUX and VDDCAUX respectively.

The typical power consumption of PI7C9X118SL is less than 400mW in typical condition in L0 mode and less than 180mW in L1 mode.

PI7C9X118SL is capable of sustaining 1500V human body model for the ESD protection without any damages.

15.3 AC SPECIFICATIONS

Table 15-3 PCI Bus Timing Parameters

| Symbol | Parameter | 66 MHz | | 33 MHz | | Units |
|------------|---|--------|-----|---------------------|-----|-------|
| | | MIN | MAX | MIN | MAX | |
| Tsu | Input setup time to CLK – bused signals ^{1,2,3} | 3 | - | 7 | - | ns |
| Tsu (ptp) | Input setup time to CLK – point-to-point ^{1,2,3} | 5 | - | 10, 12 ⁴ | - | |
| Th | Input signal hold time from CLK ^{1,2} | 0 | - | 0 | - | |
| Tval | CLK to signal valid delay – bused signals ^{1,2,3} | 2 | 6 | 2 | 11 | |
| Tval (ptp) | CLK to signal valid delay – point-to-point ^{1,2,3} | 2 | 6 | 2 | 12 | |
| Ton | Float to active delay ^{1,2} | 2 | - | 2 | - | |
| Toff | Active to float delay ^{1,2} | - | 14 | - | 28 | |

1. See Figure 15 –1 PCI Signal Timing Measurement Conditions.
2. All PCI interface signals are synchronized to CLKOUT0.
3. Point-to-point signals are REQ_L [7:0], GNT_L [7:0], LOO, and ENUM_L. Bused signals are AD, CBE, PAR, PERR_L, SERR_L, FRAME_L, IRDY_L, TRDY_L, LOCK_L, STOP_L and IDSEL.
4. REQ_L signals have a setup of 10ns and GNT_L signals have a setup of 12ns.

Figure 15-1 PCI Signal Timing Conditions

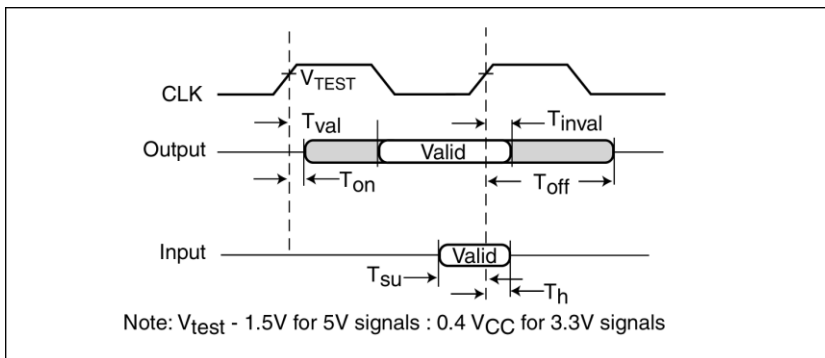


Table 15-4 PCI Express Interface - Differential Transmitter (TX) Output Characteristics

| Parameter | Symbol | Min | Typ | Max | Unit |
|--|-----------------------------------|--------|-------|--------|-----------|
| Unit Interval | UI | 399.88 | 400.0 | 400.12 | ps |
| Differential p-p TX voltage swing | $V_{TX-DIFF-P-P}$ | 800 | - | - | mV ppd |
| Lower power differential p-p TX voltage swing | $V_{TX-DIFF-P-P-LOW}$ | 400 | - | - | mV ppd |
| TX de-emphasis level ratio | $V_{TX-DE-RATIO}$ | -3.0 | - | -4.0 | dB |
| Minimum TX eye width | T_{TX-EYE} | 0.75 | - | - | UI |
| Maximum time between the jitter median and max deviation from the median | $T_{TX-EYE-MEDIAN-to-MAX-JITTER}$ | - | - | 0.125 | UI |
| Transmitter rise and fall time | $T_{TX-RISE-FALL}$ | 0.125 | - | - | UI |
| Maximum TX PLL Bandwidth | BW_{TX-PLL} | - | - | 22 | MHz |
| Maximum TX PLL BW for 3dB peaking | $BW_{TX-PLL-LO-3DB}$ | 1.5 | - | - | MHz |
| Absolute Delta of DC Common Mode Voltage During L0 and Electrical Idle | $V_{TX-CM-DC-ACTIVE-IDLE-DELTA}$ | 0 | - | 100 | mV |
| Absolute Delta of DC Common Mode Voltage between D+ and D- | $V_{TX-CM-DC-LINE-DELTA}$ | 0 | - | 25 | mV |
| Electrical Idle Differential Peak Output Voltage | $V_{TX-IDLE-DIFF-AC-p}$ | 0 | - | 20 | mV |
| The Amount of Voltage Change Allowed | $V_{TX-RCV-DETECT}$ | - | - | 600 | mV |

| Parameter | Symbol | Min | Typ | Max | Unit |
|---|-------------------------|-----|-----|------------------|------|
| During Receiver Detection | | | | | |
| Transmitter DC Common Mode Voltage | V _{TX-DC-CM} | 0 | - | 3.6 | V |
| Transmitter Short-Circuit Current Limit | I _{TX-SHORT} | - | - | 90 | mA |
| DC Differential TX Impedance | Z _{TX-DIFF-DC} | 80 | 100 | 120 | Ω |
| Lane-to-Lane Output Skew | L _{TX-SKEW} | - | - | 500 ps + 2 UI | ps |

Table 15-5 PCI Express Interface - Differential Receiver (RX) Input Characteristics

| Parameter | Symbol | Min | Typ | Max | Unit |
|---|--|--------|-------|--------|------|
| Unit Interval | UI | 399.88 | 400.0 | 400.12 | ps |
| Differential RX Peak-to-Peak Voltage | V _{RX-DIFF-PP-CC} | 175 | - | 1200 | mV |
| Receiver eye time opening | T _{RX-EYE} | 0.4 | - | - | UI |
| Maximum time delta between median and deviation from median | T _{RX-EYE-MEDIAN-to-MAX-JITTER} | - | - | 0.3 | UI |
| Receiver DC common mode impedance | Z _{RX-DC} | 40 | - | 60 | Ω |
| DC differential impedance | Z _{RX-DIFF-DC} | 80 | - | 120 | Ω |
| RX AC Common Mode Voltage | V _{RX-CM-AC-P} | - | - | 150 | mV |
| DC input CM input impedance during reset or power down | Z _{RX-HIGH-IMP-DC} | 200 | - | - | kΩ |
| Electrical Idle Detect Threshold | V _{RX-IDLE-DET-DIFFp-p} | 65 | - | 175 | mV |
| Lane to Lane skew | L _{RX-SKEW} | - | - | 20 | ns |

15.4 Operating Ambient Temperature

Table 15-6 Operating Ambient Temperature

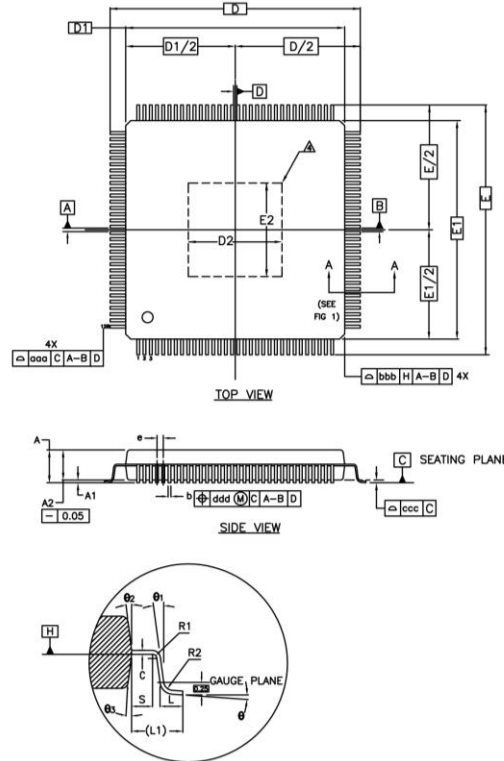
(Above which the useful life may be impaired.)

| Item | Low | High | Unit |
|--|-----|------|------|
| Ambient Temperature with power applied | 0 | 75 | °C |

Note: Exposure to high temperature conditions for extended periods of time may affect reliability.

16 PACKAGE INFORMATION

The package of PI7C9X118SL comes in 14mm x 14mm LQFP (128 Pin) package. The pin pitch is 0.4mm. This package also includes an exposed ground on the bottom surface of the package. Diodes highly recommends implementing this exposed ground pad on any customer boards. The following are the package information and mechanical dimension:



CONTROL DIMENSIONS ARE IN MILLIMETERS.

| SYMBOL | MILLIMETER | | | INCH | | |
|----------------|------------|------|------|------------|-------|-------|
| | MIN. | NOM. | MAX. | MIN. | NOM. | MAX. |
| A | — | — | 1.60 | — | — | 0.063 |
| A1 | 0.05 | — | 0.15 | 0.002 | — | 0.006 |
| A2 | 1.35 | 1.40 | 1.45 | 0.053 | 0.055 | 0.057 |
| D | 16.00 BSC. | | | 0.630 BSC. | | |
| D1 | 14.00 BSC. | | | 0.551 BSC. | | |
| E | 16.00 BSC. | | | 0.630 BSC. | | |
| E1 | 14.00 BSC. | | | 0.551 BSC. | | |
| R2 | 0.08 | — | 0.20 | 0.003 | — | 0.008 |
| R1 | 0.08 | — | — | 0.003 | — | — |
| θ | 0° | 3.5° | 7° | 0° | 3.5° | 7° |
| θ ₁ | 0° | — | — | 0° | — | — |
| θ ₂ | 11° | 12° | 13° | 11° | 12° | 13° |
| θ ₃ | 11° | 12° | 13° | 11° | 12° | 13° |
| c | 0.09 | — | 0.20 | 0.004 | — | 0.008 |
| L | 0.45 | 0.60 | 0.75 | 0.018 | 0.024 | 0.030 |
| L ₁ | 1.00 REF | | | 0.039 REF | | |
| S | 0.20 | — | — | 0.008 | — | — |
| b | — | 0.16 | — | — | 0.006 | — |
| e | 0.40 BSC. | | | 0.016 BSC. | | |
| aaa | 0.20 | | | 0.008 | | |
| bbb | 0.20 | | | 0.008 | | |
| ccc | 0.08 | | | 0.003 | | |
| ddd | 0.07 | | | 0.003 | | |
| D2 | 5.10 | — | 5.99 | 0.20 | — | 0.236 |
| E2 | 5.10 | — | 5.99 | 0.20 | — | 0.236 |

NOTE :

1. ALL DIMENSION IN MM
2. REFER JEDEC MS-026
3. PACKAGE OUTLINE DIMENSIONS DO NOT INCLUDE MOLD FLASH AND METAL BURR
4. THE OPTIONAL EXPOSED PAD IS COINCIDENT WITH THE BOTTOM SIDE OF THE PACKAGE AND NOT ALLOWED TO PROTRUDE BEYOND THAT SURFACE.

FIGURE 1 SECTION A-A

Figure 16-1 Package Outline Drawing



X: Die Rev
YY: Year
WW: Workweek
1st X: Assembly Code
2nd X: Fab Code

Figure 16-2 Part Marking

17 ORDERING INFORMATION

| Part Number | Package Code | Package Description | Pb-Free & Green | Temperature Range |
|-----------------|--------------|---------------------------------|-----------------|---------------------------|
| PI7C9X118SLFDEX | FD | 128 – LQFP (Exposed ground pad) | YES | 0°C to +75°C (Commercial) |

Notes:

1. No purposely added lead. Fully EU Directive 2002/95/EC (RoHS), 2011/65/EU (RoHS 2) & 2015/863/EU (RoHS 3) compliant.
2. See <https://www.diodes.com/quality/lead-free/> for more information about Diodes Incorporated's definitions of Halogen- and Antimony-free, "Green" and Lead-free.
3. Halogen- and Antimony-free "Green" products are defined as those which contain <900ppm bromine, <900ppm chlorine (<1500ppm total Br + Cl) and <1000ppm antimony compounds.
4. E = Pb-free and Green
5. X suffix = Tape/Reel

Looking for pricing, stock, or lifecycle information?

Click below to explore more details on WIN SOURCE:

 [View PI7C9X118SLFDE on WIN SOURCE](#)

 [Diodes Incorporated](#) Information

Optimize Your Supply Chain with WIN SOURCE Solutions

-  Global Sourcing Solution
-  Obsolete Management
-  Cost Control Management
-  Shortage Management
-  Alternative Solution
-  Excess Inventory Management