



**THE DATASHEET OF
SN75LBC978DL**



SN75LBC978 9-CHANNEL DIFFERENTIAL TRANSCIVER

SLLS134F – APRIL 1992 – REVISED APRIL 2005

- **Nine Differential Channels for the Data and Control Paths of the Differential Small Computer Systems Interface (SCSI)**
- **Meets or Exceeds the Requirements of ANSI Standard RS-485 and ISO 8482:1987(E)**
- **Packaged in Shrink Small-Outline Package With 25-mil Terminal Pitch**
- **Designed to Operate at 10 Million Transfers Per Second**
- **Low Disabled Supply Current
1.4 mA Typ**
- **Thermal Shutdown Protection**
- **Power-Up/Power-Down Glitch Protection**
- **Positive and Negative Output-Current Limiting**
- **Open-Circuit Fail-Safe Receiver Design**

description

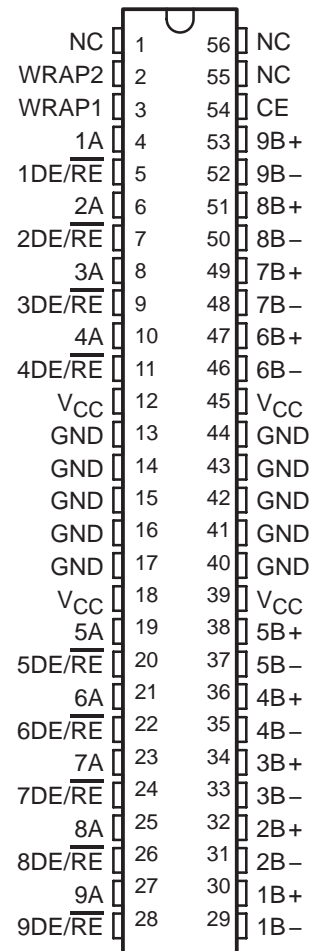
The SN75LBC978 is a nine-channel differential transceiver based on the 75LBC176 LinASIC™ cell. Use of TI's LinBiCMOS™† process technology allows the power reduction necessary to integrate nine differential balanced transceivers†. On-chip enabling logic makes this device applicable for the data path (eight data bits plus parity) and the control path (nine bits) for the Small Computer Systems Interface (SCSI) standard. The WRAP function allows in-circuit testing and wired-OR channels for the BSY, RST, and SEL signals of the SCSI bus.

The SN75LBC978 is packaged in a shrink small-outline package (DL) with improved thermal characteristics using heat-sink terminals. This package is ideal for low-profile, space-restricted applications such as hard disk drives.

The switching speed of the SN75LBC978 is sufficient to transfer data over the data bus at 10 million transfers per second. Each of the nine identical channels conforms to the requirements of the ANSI RS-485 and ISO 8482:1987(E) standards referenced by ANSI X3.131-1993 (SCSI-2) and the proposed SCSI-3 standards.

The SN75LBC978 is characterized for operation from 0°C to 70°C.

DL PACKAGE
(TOP VIEW)



Pins 13 through 17 and 40 through 44 are connected together to the package lead frame and signal ground.

† Patent Pending

LinASIC and LinBiCMOS are trademarks of Texas Instruments Incorporated.

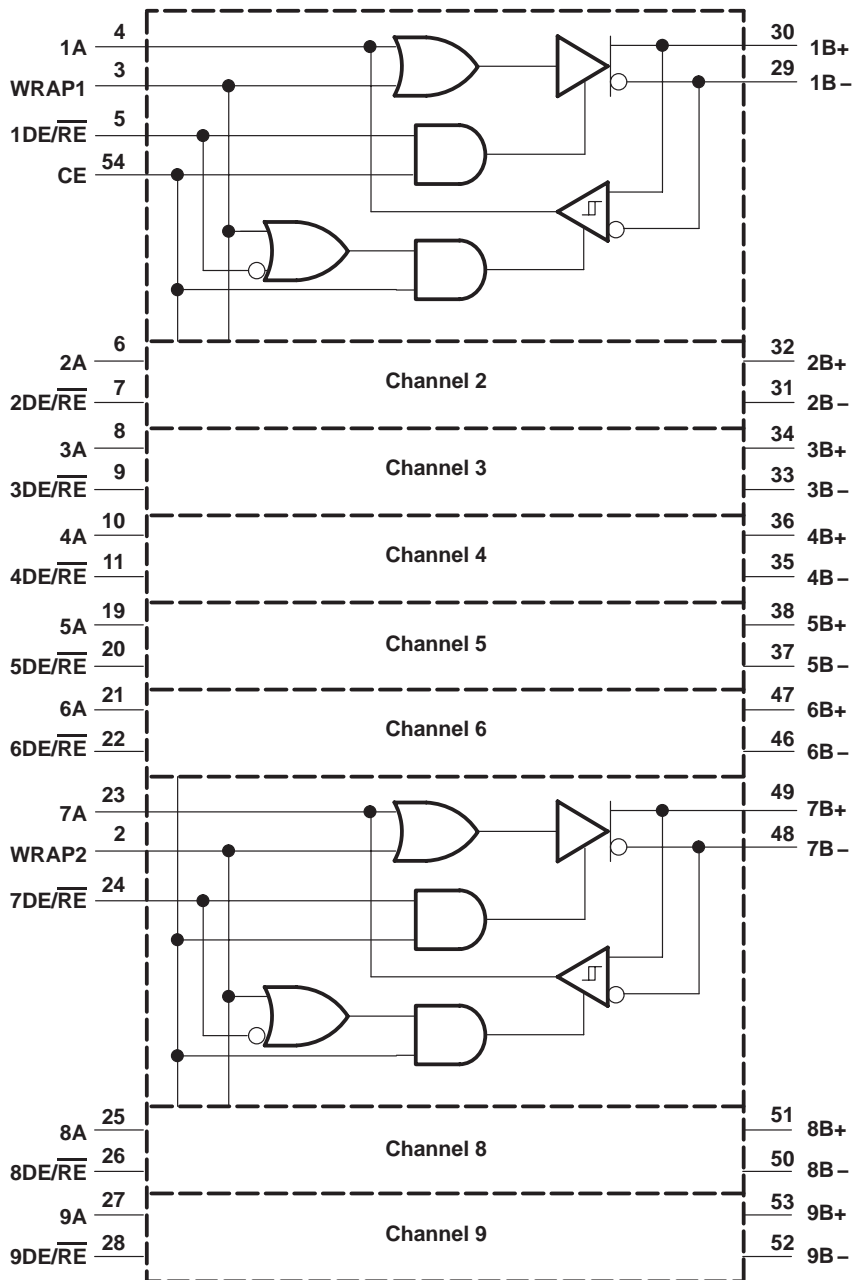
PRODUCTION DATA information is current as of publication date. Products conform to specifications per the terms of Texas Instruments standard warranty. Production processing does not necessarily include testing of all parameters.



SN75LBC978 9-CHANNEL DIFFERENTIAL TRANSCIEVER

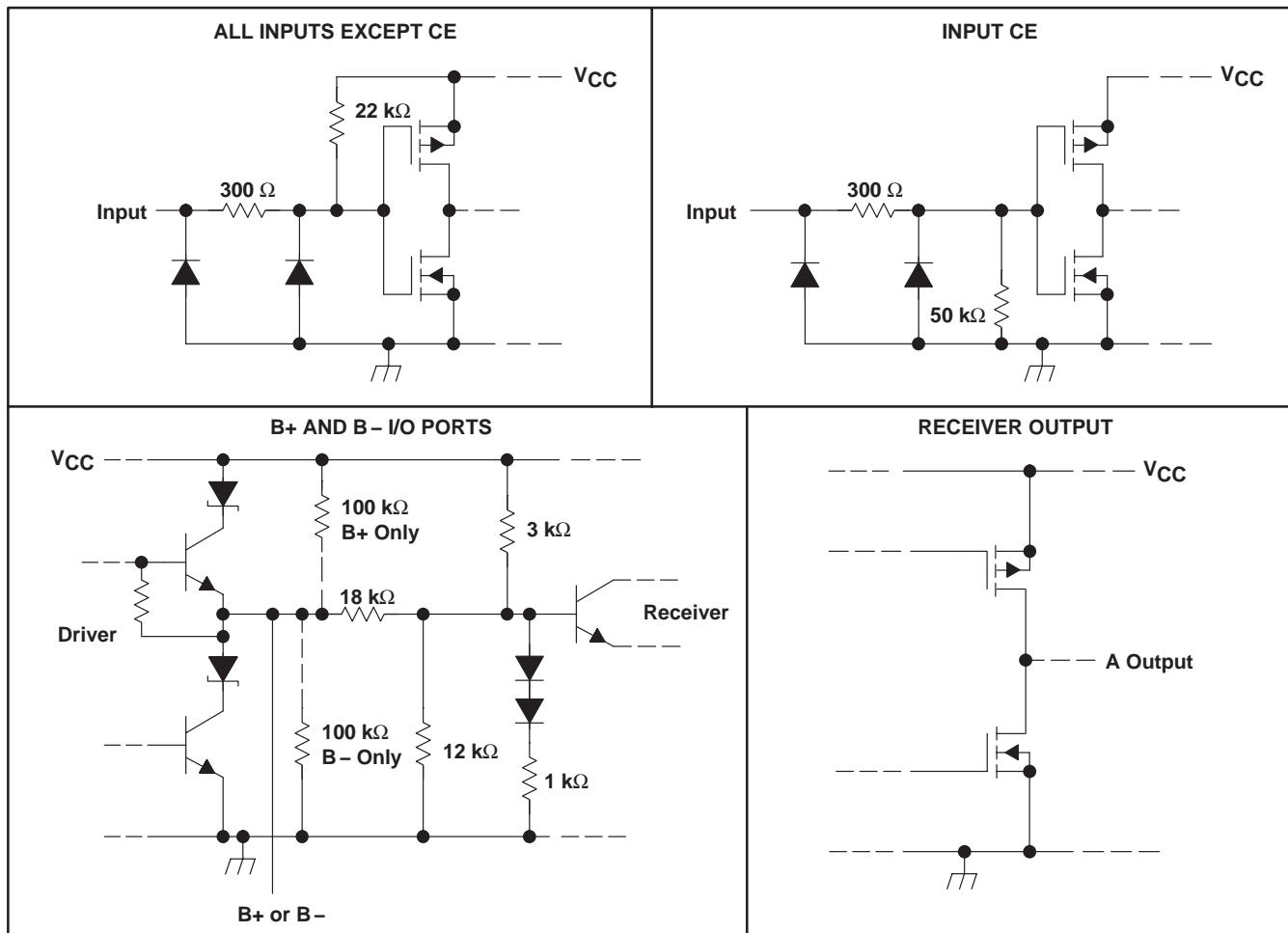
SLLS134F – APRIL 1992 – REVISED APRIL 2005

logic diagram (positive logic)



POST OFFICE BOX 655303 • DALLAS, TEXAS 75265

schematics of inputs and outputs



absolute maximum ratings over operating free-air temperature range (unless otherwise noted)†

Supply voltage range, V_{CC} (see Note 1)	–0.3 V to 7 V
Bus voltage range	–10 V to 15 V
Data I/O and control (A-side) voltage range	–0.3 V to 7 V
Receiver output current, I_O	± 24 mA
Continuous power dissipation	internally limited

† Stresses beyond those listed under “absolute maximum ratings” may cause permanent damage to the device. These are stress ratings only, and functional operation of the device at these or any other conditions beyond those indicated under “recommended operating conditions” is not implied. Exposure to absolute-maximum-rated conditions for extended periods may affect device reliability.

NOTE 1: All voltage values are dc and with respect to GND.

SN75LBC978

9-CHANNEL DIFFERENTIAL TRANSCEIVER

SLLS134F – APRIL 1992 – REVISED APRIL 2005

recommended operating conditions

		MIN	NOM	MAX	UNIT
Supply voltage, V_{CC}		4.75	5	5.25	V
Voltage at any bus terminal (separately or common-mode), V_O , V_I , or V_{IC}	B+ or B-	12			V
		-7			
High-level input voltage, V_{IH}	All except B+ and B-	2			V
Low-level input voltage, V_{IL}	All except B+ and B-			0.8	V
High-level output current, I_{OH}	B+ or B-			-60	mA
	A			-8	mA
Low-level output current, I_{OL}	B+ or B-			60	mA
	A			8	mA
Operating free-air temperature, T_A		0		70	°C

device electrical characteristics over recommended ranges of operating conditions

PARAMETER		TEST CONDITIONS		MIN	TYP†	MAX	UNIT
I_{IH}	High-level input current	A, \overline{WRAP} , $\overline{DE/RE}$	See Figure 1	$V_{IH} = 2\text{ V}$		-200	μA
		CE				100	μA
I_{IL}	Low-level input current	A, \overline{WRAP} , $\overline{DE/RE}$	See Figure 1	$V_{IL} = 0.8\text{ V}$		-200	μA
		CE				100	μA
I_{CC}	Supply current	All drivers and receivers disabled	CE at 0 V		1.4	3	mA
		All receivers enabled	No load, CE at 5 V, $V_{ID} = 5\text{ V}$, \overline{WRAP} and $\overline{DE/RE}$ at 0 V		29	45	mA
		All drivers enabled	No load, CE and $\overline{DE/RE}$ at 5 V, \overline{WRAP} at 0 V		7	10	mA
C_O	Bus port output capacitance	B+ or B-			19		pF
C_{pd}	Power dissipation capacitance	One driver			460		pF
		One receiver			40		pF

driver electrical characteristics over recommended ranges of operating conditions (unless otherwise noted)

PARAMETER		TEST CONDITIONS		MIN	TYP	MAX	UNIT
$ V_{OD} $	Differential output voltage	$V_{test} = -7\text{ V to }12\text{ V}$, See Figure 2		1	2		V
I_{OS}	Output short-circuit current	See Figure 3				± 250	mA
I_{OZ}	High-impedance-state output current	See receiver input current					



receiver electrical characteristics over recommended ranges of operating conditions (unless otherwise noted) (see Figure 3)

PARAMETER		TEST CONDITIONS	MIN	TYP†	MAX	UNIT
V _{OH}	High-level output voltage	V _{ID} = 200 mV, I _{OH} = -8 mA	2.5			V
V _{OL}	Low-level output voltage	V _{ID} = -200 mV, I _{OL} = 8 mA			0.8	V
V _{IT+}	Differential-input high-level threshold voltage	I _{OH} = -8 mA			0.2	V
V _{IT-}	Differential-input low-level threshold voltage	I _{OL} = 8 mA	-0.2			V
V _{hys}	Receiver input hysteresis voltage (V _{IT+} - V _{IT-})			45		mV
I _I	Receiver input current	B+ and B-	V _I = 12 V, V _{CC} = 5 V, Other input at 0 V	0.7	1	mA
			V _I = 12 V, V _{CC} = 0 V, Other input at 0 V	0.8	1	mA
			V _I = -7 V, V _{CC} = 5 V, Other input at 0 V	-0.5	-0.8	mA
			V _I = -7 V, V _{CC} = 0 V, Other input at 0 V	-0.4	-0.8	mA
I _{OZ}	High-impedance-state output current	V _O = GND			-200	μA
		V _O = V _{CC}			50	

driver switching characteristics over recommended ranges of operating conditions (unless otherwise noted)

PARAMETER		TEST CONDITIONS	MIN	TYP†	MAX	UNIT
t _{d(OD)}	Differential delay time, high- to low-level output (t _{d(ODH)}) or low- to high-level output (t _{d(ODL)})	See Figure 4	11.8		26.4	ns
		V _{CC} = 5 V, T _A = 25°C, See Figure 4	14	18	22	
		V _{CC} = 5 V, T _A = 70°C, See Figure 4	18	22	26	
t _{sk(lim)}	Skew limit, the maximum difference in propagation delay times between any two drivers on any two devices				15	ns
		V _{CC} = 5 V, See Note 2			8	
t _{sk(p)}	Pulse skew (t _{d(ODL)} - t _{d(ODH)})			0	6	ns
t _t	Transition time (t _r or t _f)	See Figure 4		10		ns

receiver switching characteristics over recommended ranges of operating conditions (unless otherwise noted)

PARAMETER		TEST CONDITIONS	MIN	TYP†	MAX	UNIT
t _{pd}	Propagation delay time, high- to low-level output (t _{PHL}) or low- to high-level output (t _{PLH})	See Figure 5	19.5		30.7	ns
		V _{CC} = 5 V, T _A = 25°C, See Figure 5	20.2	24.7	29.2	
		V _{CC} = 5 V, T _A = 70°C, See Figure 5	21.1	25.6	30.1	
t _{sk(lim)}	Skew limit, the maximum difference in propagation delay times between any two drivers on any two devices				12	ns
		V _{CC} = 5 V, See Note 2			9	
t _{sk(p)}	Pulse skew (t _{PHL} - t _{PLH})			2	6	ns
t _t	Transition time (t _r or t _f)	See Figure 5		3		ns

† All typical values are at V_{CC} = 5 V, T_A = 25°C.

‡ C_{pd} determines the no-load dynamic current consumption; I_S = C_{pd} · V_{CC} · f + I_{CC}.

NOTE 2: This specification applies to any 5°C band within the operating temperature range.

SN75LBC978 9-CHANNEL DIFFERENTIAL TRANSCIVER

SLLS134F – APRIL 1992 – REVISED APRIL 2005

transceiver switching characteristics over recommended ranges of operating conditions

PARAMETER		TEST CONDITIONS	MIN	MAX	UNIT
$t_{en}(TXL)$	Enable time, transmit-to-receive to low-level output	See Figure 6		80	ns
$t_{en}(TXH)$	Enable time, transmit-to-receive to high-level output			80	ns
$t_{en}(RXL)$	Enable time, receive-to-transmit to low-level output			150	ns
$t_{en}(RXH)$	Enable time, receive-to-transmit to high-level output			150	ns
t_{su}	Setup time, WRAP1 or WRAP2 before active input(s) or output(s)			150	ns

thermal characteristics

PARAMETER		TEST CONDITIONS	MIN	TYP	MAX	UNIT
$R_{\theta JA}$	Junction-to-free-air thermal resistance	Board mounted, No air flow		50		°C/W
$R_{\theta JC}$	Junction-to-case thermal resistance			12		°C/W

PARAMETER MEASUREMENT INFORMATION

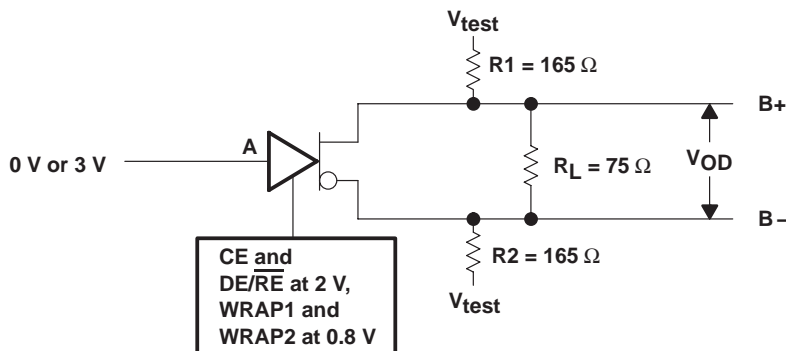
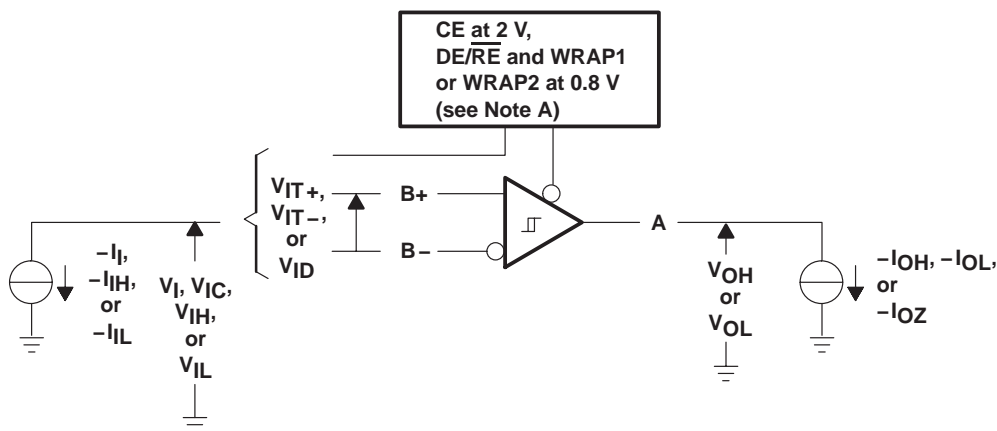


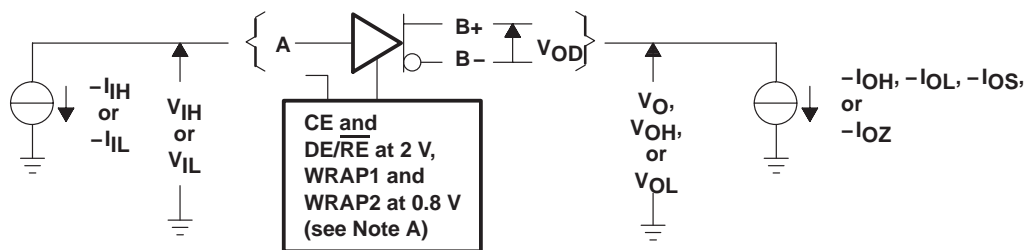
Figure 1. Driver V_{OD} Test Circuit



NOTE A: For the I_{OZ} measurement, CE is at 0.8 V.

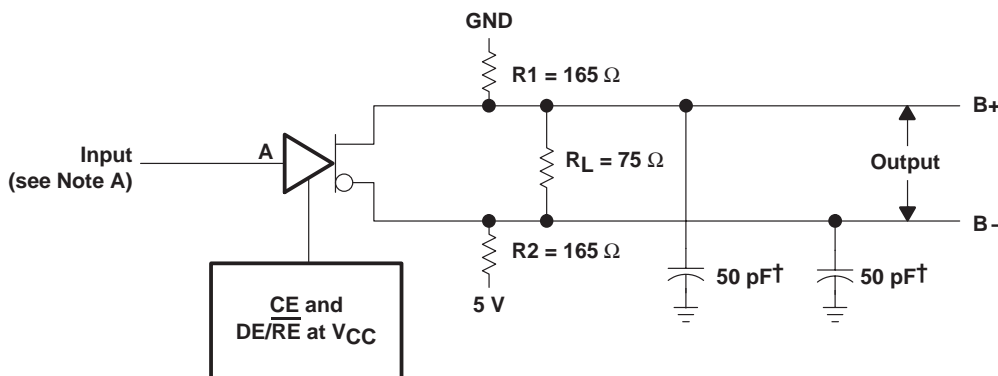
Figure 2. Receiver Test Circuit and Input Conditions

PARAMETER MEASUREMENT INFORMATION

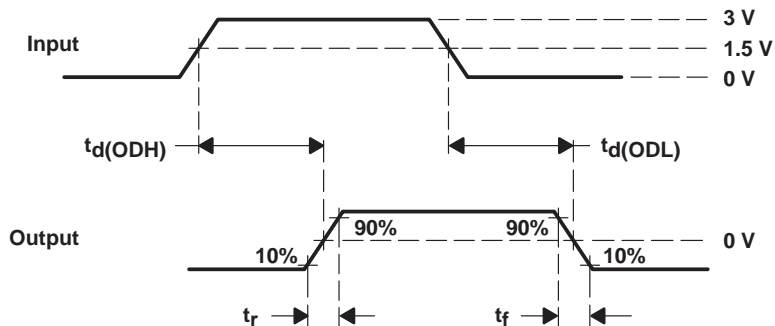


NOTE A: For the I_{OZ} test, the CE input is at 0.8 V.

Figure 3. Driver Test and Input Conditions



TEST CIRCUIT



VOLTAGE WAVEFORMS

† Includes probe and jig capacitance.

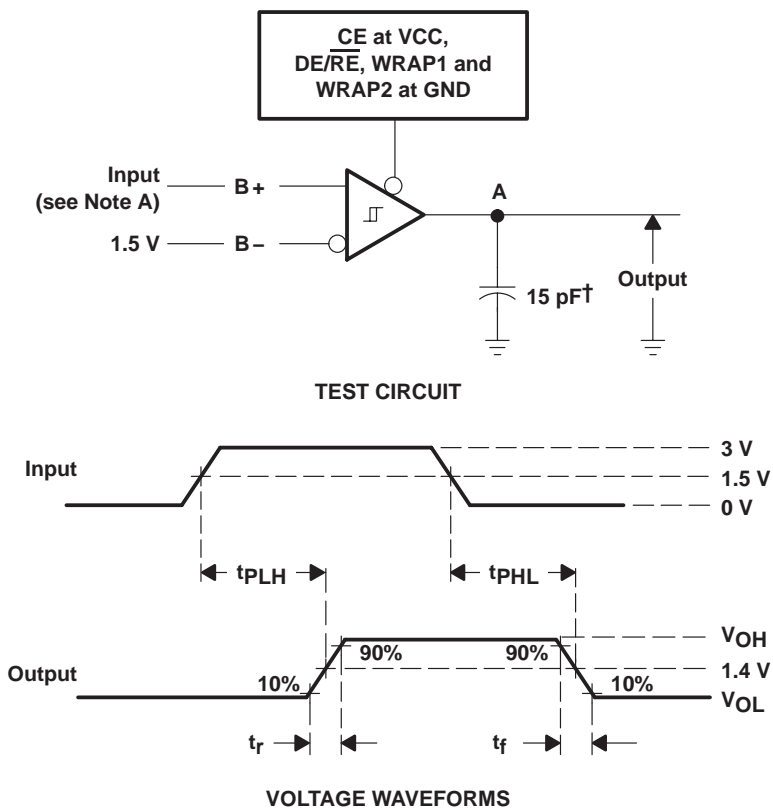
NOTE A: The input is provided by a pulse generator with an output of 0 to 3 V, PRR of 1 MHz, 50% duty cycle, t_r and $t_f < 6$ ns, and $Z_O = 50 \Omega$.

Figure 4. Driver Propagation Delay Time Test Circuit and Waveforms

SN75LBC978 9-CHANNEL DIFFERENTIAL TRANSCIEVER

SLLS134F – APRIL 1992 – REVISED APRIL 2005

PARAMETER MEASUREMENT INFORMATION

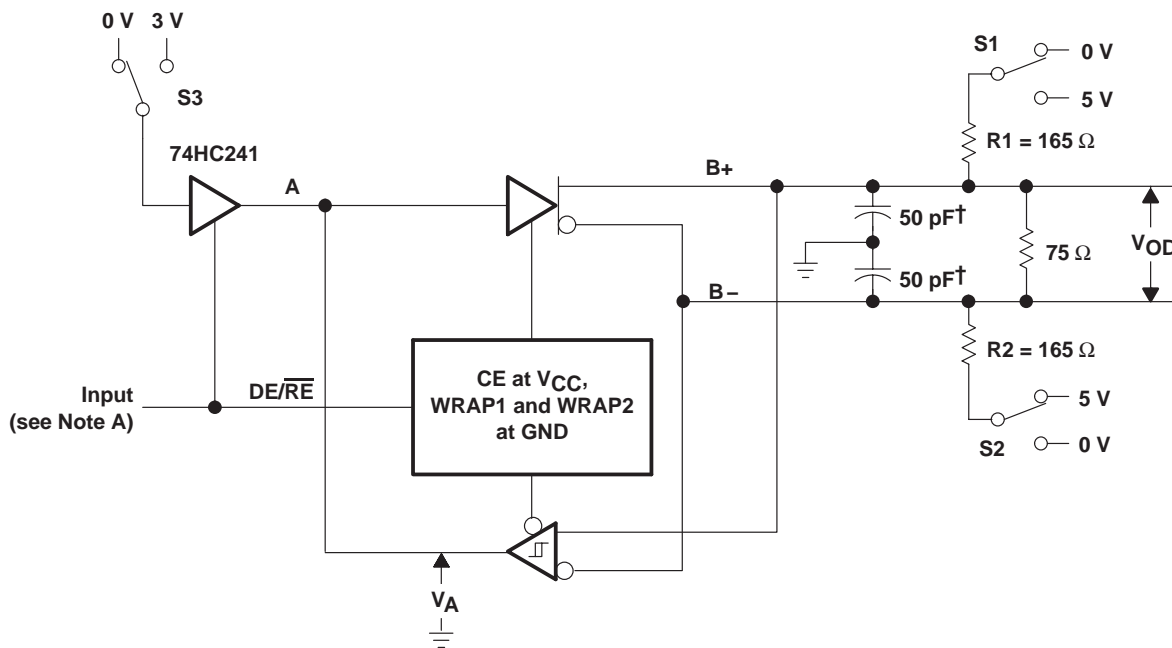


† Includes probe and jig capacitance.

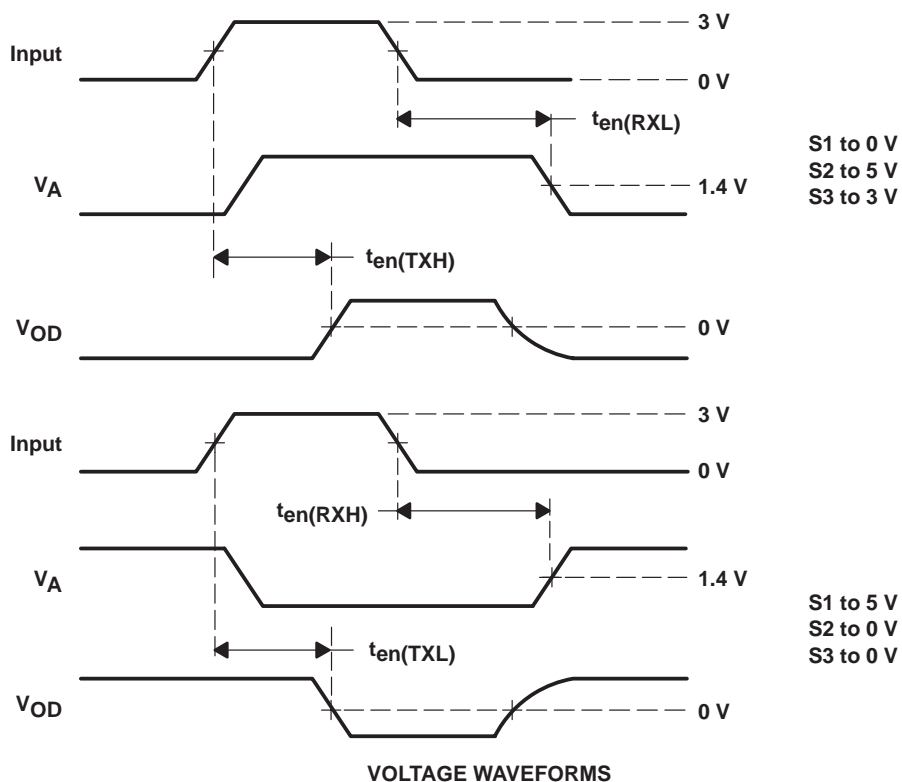
NOTE A: The input is provided by a pulse generator with an output of 0 to 3 V, PRR of 1 MHz, 50% duty cycle, t_r and $t_f < 6$ ns, and $Z_O = 50 \Omega$.

Figure 5. Receiver Propagation Delay Time Test Circuit and Waveforms

PARAMETER MEASUREMENT INFORMATION



TEST CIRCUIT



VOLTAGE WAVEFORMS

† Includes probe and jig capacitance.

NOTE A: The input is provided by a pulse generator with an output of 0 to 3 V, PRR of 1 MHz, 50% duty cycle, t_r and $t_f < 6$ ns, and $Z_O = 50 \Omega$.

Figure 6. Enable Time Test Circuit and Voltage Waveforms

SN75LBC978 9-CHANNEL DIFFERENTIAL TRANSCIEVER

SLLS134F – APRIL 1992 – REVISED APRIL 2005

TYPICAL CHARACTERISTICS

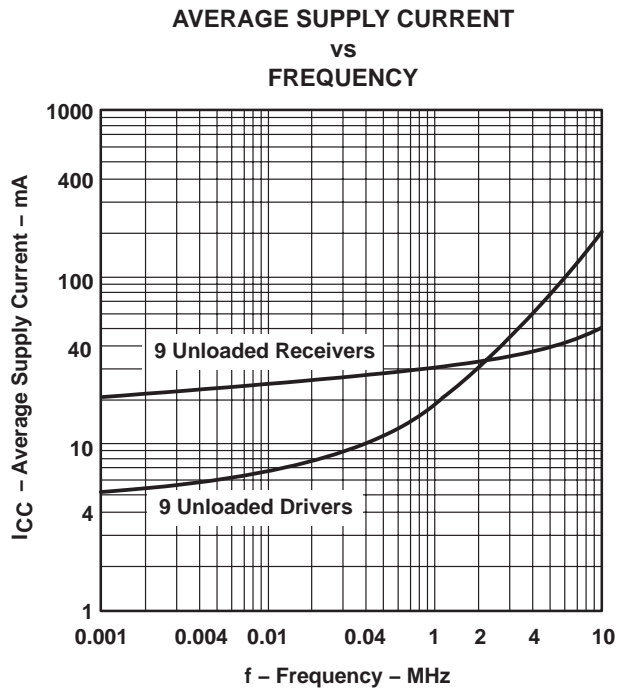


Figure 7

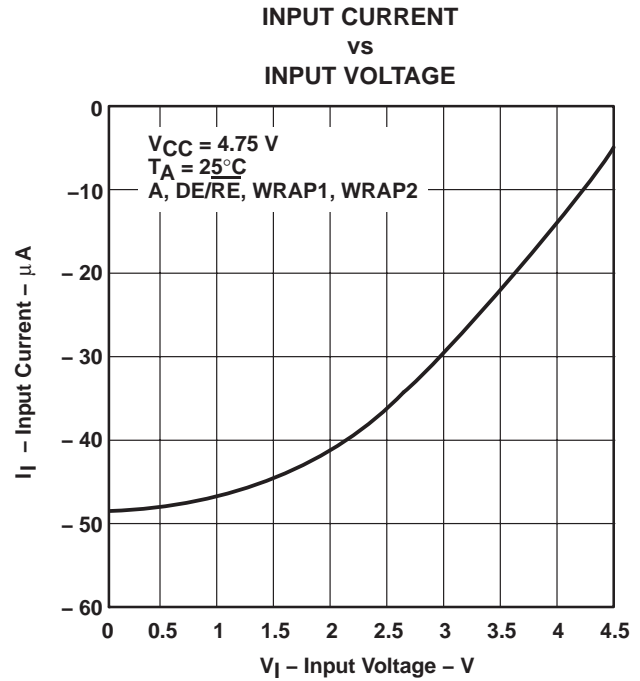


Figure 8

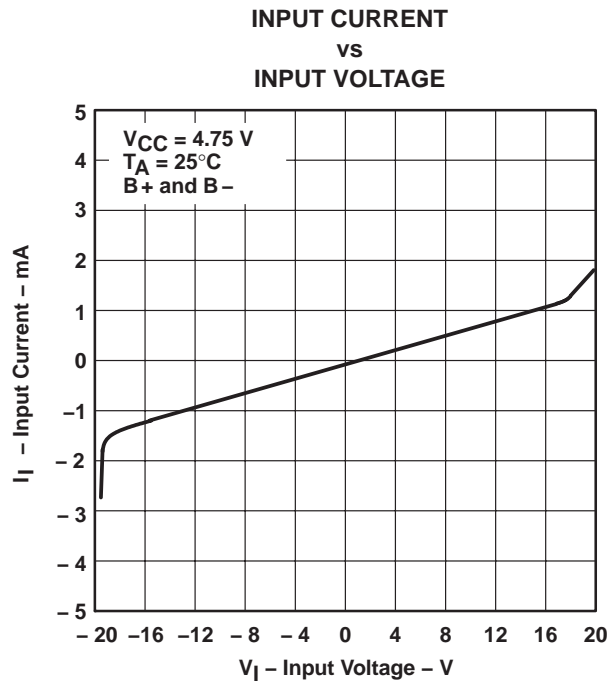
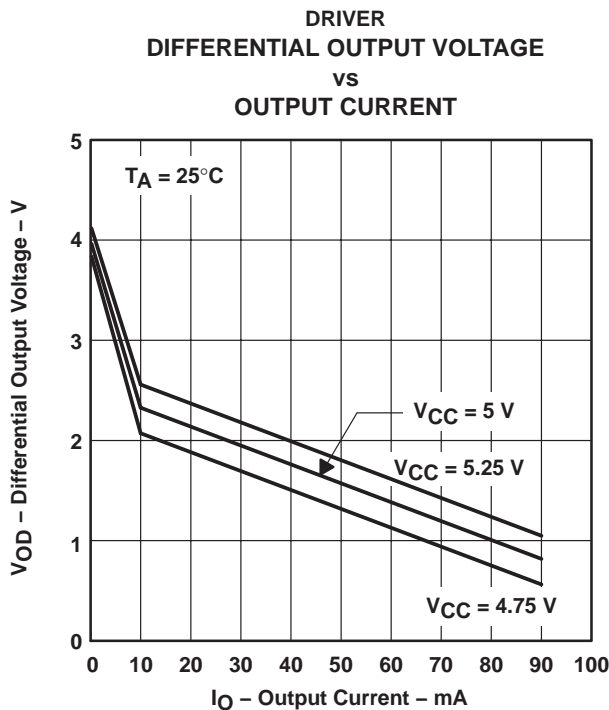
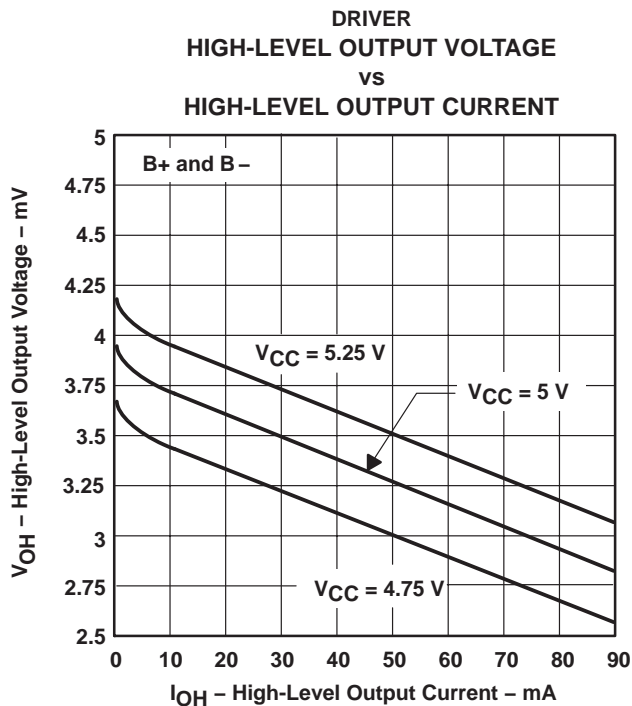
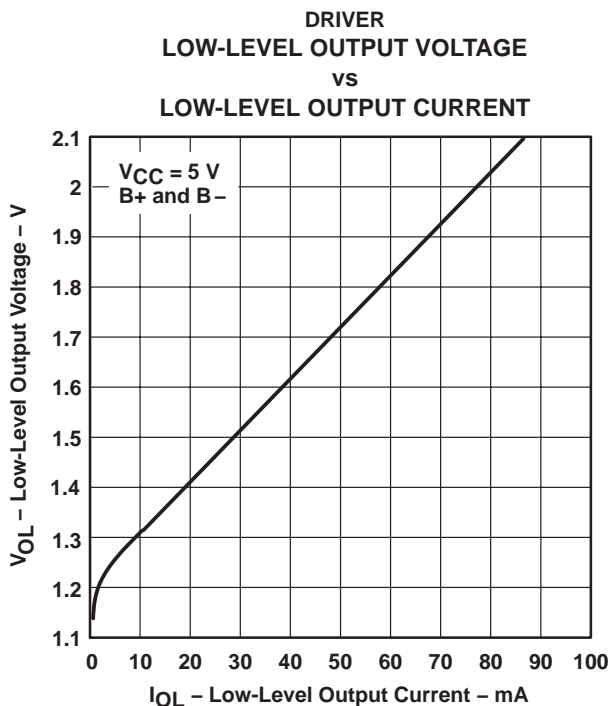


Figure 9



TYPICAL CHARACTERISTICS



SN75LBC978 9-CHANNEL DIFFERENTIAL TRANSCIEVER

SLLS134F – APRIL 1992 – REVISED APRIL 2005

TYPICAL CHARACTERISTICS

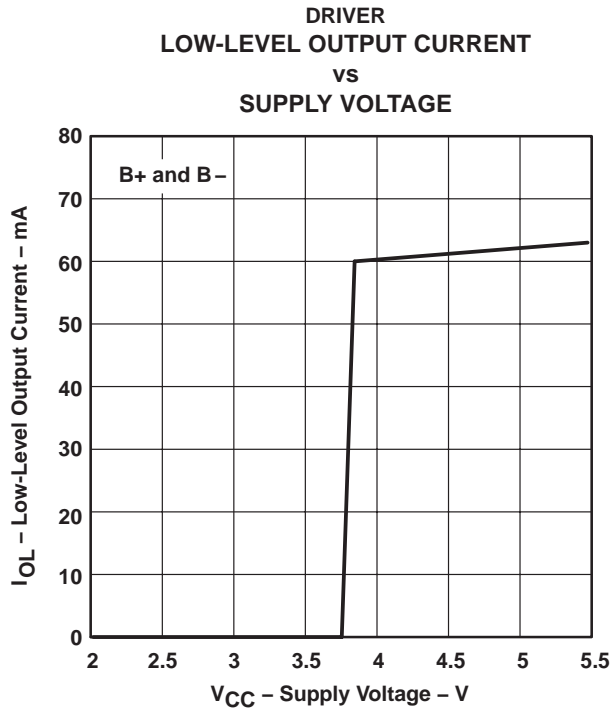


Figure 13

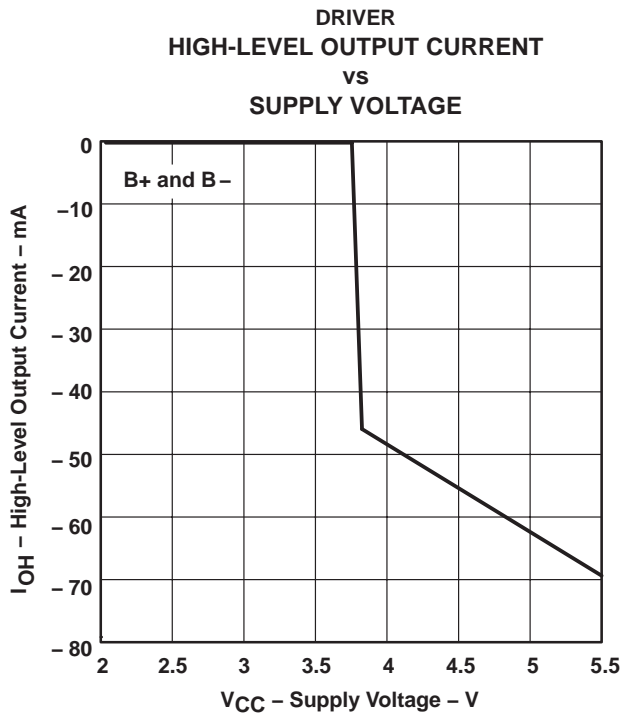


Figure 14

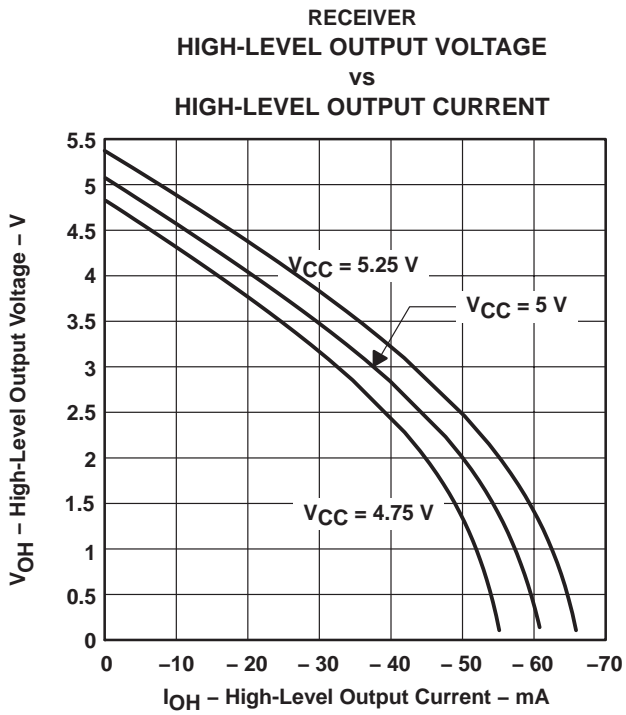


Figure 15

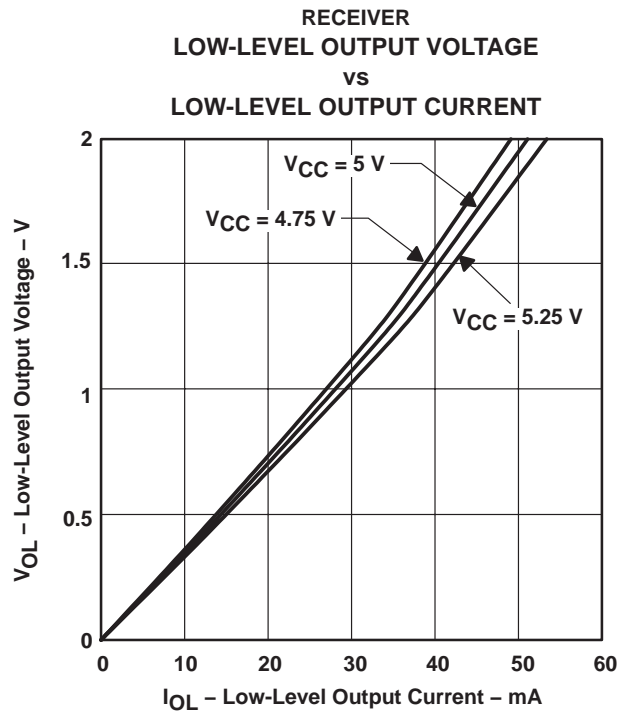


Figure 16

TYPICAL CHARACTERISTICS

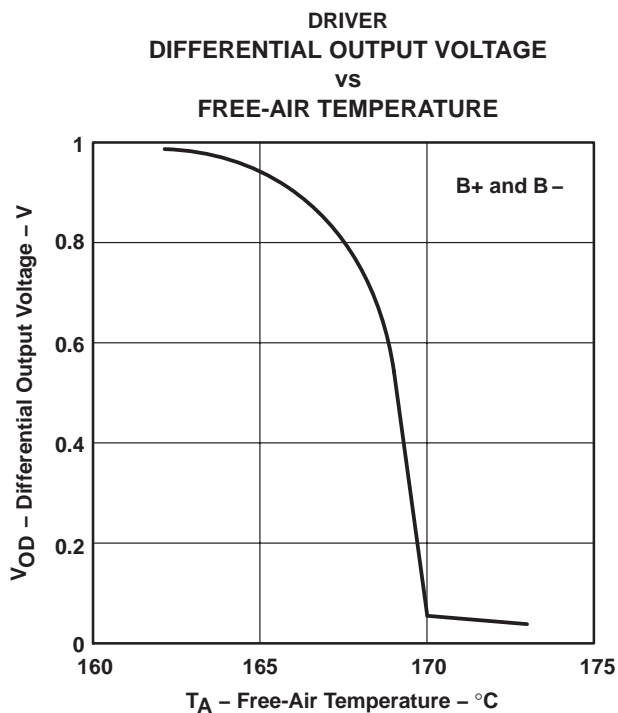


Figure 17

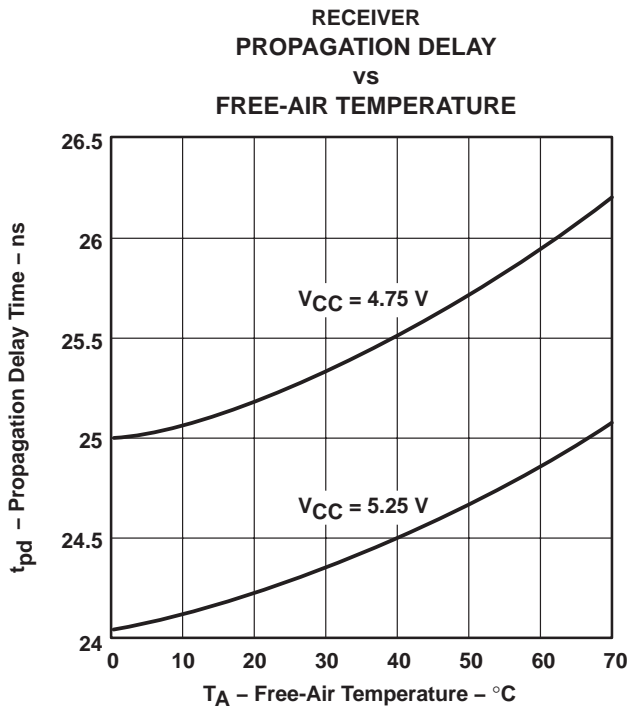


Figure 18

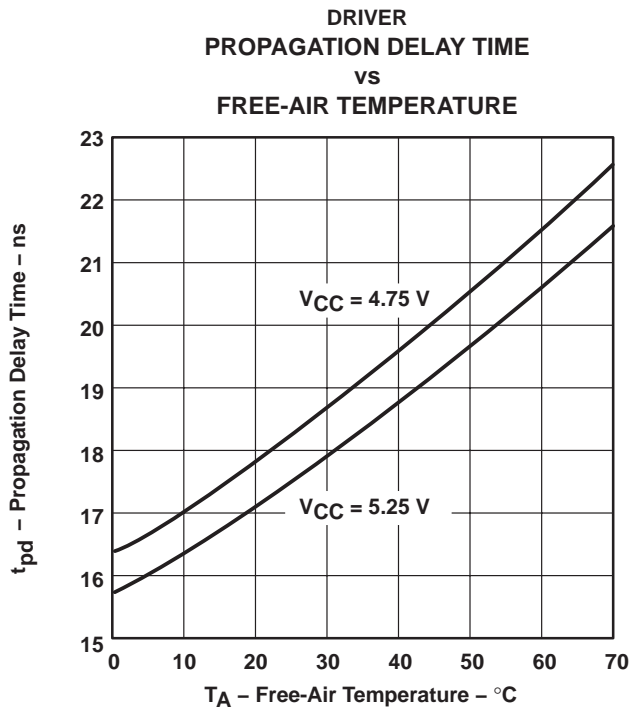


Figure 19

SN75LBC978 9-CHANNEL DIFFERENTIAL TRANSCEIVER

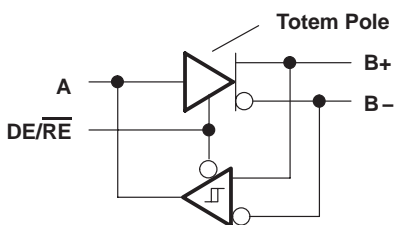
SLLS134F – APRIL 1992 – REVISED APRIL 2005

APPLICATION INFORMATION

function tables

Table 1. Channel Configuration for Totem Pole Circuit

CE is high,
WRAP1 or WRAP2 is low



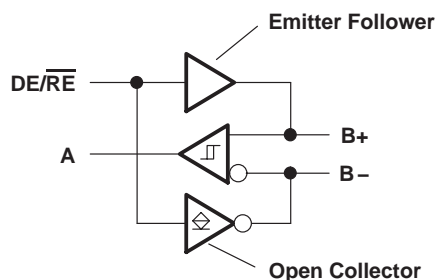
INPUTS				OUTPUTS		
DE/RE	A	B+†	B-†	A	B+	B-
L	X	L	H	L	Z	Z
L	X	H	L	H	Z	Z
H	L	X	X	Z	L	H
H	H	X	X	Z	H	L

H = high level L = low level X = irrelevant Z = high impedance

† An H in this column represents a voltage 200 mV higher than the other bus input. An L represents a voltage 200 mV lower than the other bus input. Any voltage less than 200 mV results in an indeterminate receiver output.

Table 2. Channel Configuration for Emitter Follower Circuit

CE is high,
WRAP1 or WRAP2 is high



INPUTS			OUTPUTS		
DE/RE	B+	B-	A	B+	B-
L	L	H	L	Z	Z
L	H	L	H	Z	Z
H	X	X	H	H	L
H	X	X	H	H	L

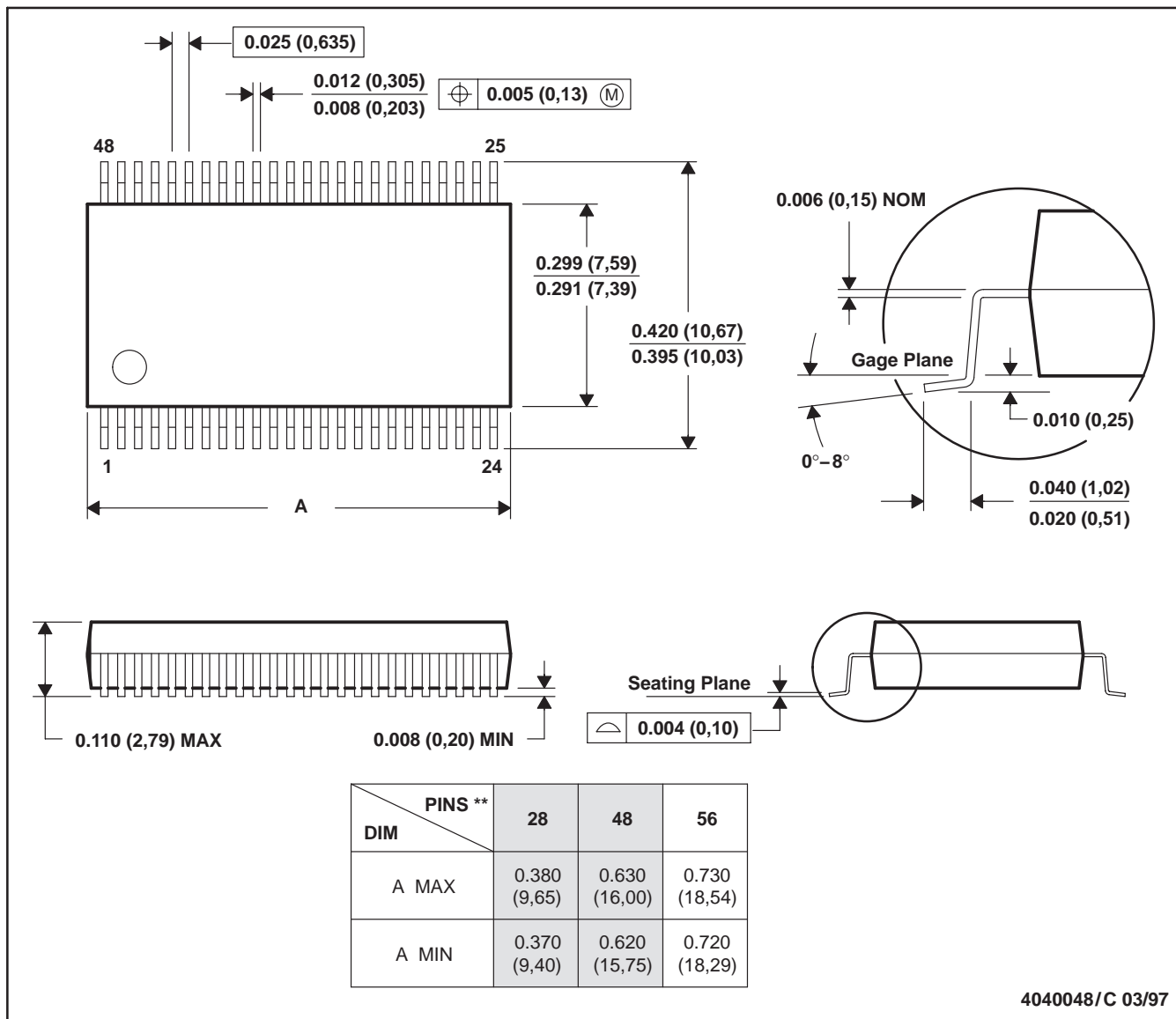
H = high level L = low level X = irrelevant Z = high impedance

MECHANICAL INFORMATION

DL (R-PDSO-G**)

PLASTIC SMALL-OUTLINE PACKAGE

48 PIN SHOWN



- NOTES: A. All linear dimensions are in inches (millimeters).
 B. This drawing is subject to change without notice.
 C. Body dimensions do not include mold flash or protrusion not to exceed 0.006 (0,15).
 D. Falls within JEDEC MO-118

PACKAGING INFORMATION

Orderable Device	Status ⁽¹⁾	Package Type	Package Drawing	Pins	Package Qty	Eco Plan ⁽²⁾	Lead/Ball Finish	MSL Peak Temp ⁽³⁾
SN75LBC978DL	ACTIVE	SSOP	DL	56	20	Green (RoHS & no Sb/Br)	CU NIPDAU	Level-2-260C-1 YEAR
SN75LBC978DLG4	ACTIVE	SSOP	DL	56	20	Green (RoHS & no Sb/Br)	CU NIPDAU	Level-2-260C-1 YEAR
SN75LBC978DLR	ACTIVE	SSOP	DL	56	1000	Green (RoHS & no Sb/Br)	CU NIPDAU	Level-2-260C-1 YEAR
SN75LBC978DLRG4	ACTIVE	SSOP	DL	56	1000	Green (RoHS & no Sb/Br)	CU NIPDAU	Level-2-260C-1 YEAR

⁽¹⁾ The marketing status values are defined as follows:

ACTIVE: Product device recommended for new designs.

LIFEBUY: TI has announced that the device will be discontinued, and a lifetime-buy period is in effect.

NRND: Not recommended for new designs. Device is in production to support existing customers, but TI does not recommend using this part in a new design.

PREVIEW: Device has been announced but is not in production. Samples may or may not be available.

OBSOLETE: TI has discontinued the production of the device.

⁽²⁾ Eco Plan - The planned eco-friendly classification: Pb-Free (RoHS), Pb-Free (RoHS Exempt), or Green (RoHS & no Sb/Br) - please check <http://www.ti.com/productcontent> for the latest availability information and additional product content details.

TBD: The Pb-Free/Green conversion plan has not been defined.

Pb-Free (RoHS): TI's terms "Lead-Free" or "Pb-Free" mean semiconductor products that are compatible with the current RoHS requirements for all 6 substances, including the requirement that lead not exceed 0.1% by weight in homogeneous materials. Where designed to be soldered at high temperatures, TI Pb-Free products are suitable for use in specified lead-free processes.

Pb-Free (RoHS Exempt): This component has a RoHS exemption for either 1) lead-based flip-chip solder bumps used between the die and package, or 2) lead-based die adhesive used between the die and leadframe. The component is otherwise considered Pb-Free (RoHS compatible) as defined above.

Green (RoHS & no Sb/Br): TI defines "Green" to mean Pb-Free (RoHS compatible), and free of Bromine (Br) and Antimony (Sb) based flame retardants (Br or Sb do not exceed 0.1% by weight in homogeneous material)

⁽³⁾ MSL, Peak Temp. -- The Moisture Sensitivity Level rating according to the JEDEC industry standard classifications, and peak solder temperature.

Important Information and Disclaimer:The information provided on this page represents TI's knowledge and belief as of the date that it is provided. TI bases its knowledge and belief on information provided by third parties, and makes no representation or warranty as to the accuracy of such information. Efforts are underway to better integrate information from third parties. TI has taken and continues to take reasonable steps to provide representative and accurate information but may not have conducted destructive testing or chemical analysis on incoming materials and chemicals. TI and TI suppliers consider certain information to be proprietary, and thus CAS numbers and other limited information may not be available for release.

In no event shall TI's liability arising out of such information exceed the total purchase price of the TI part(s) at issue in this document sold by TI to Customer on an annual basis.

TAPE AND REEL INFORMATION



QUADRANT ASSIGNMENTS FOR PIN 1 ORIENTATION IN TAPE



*All dimensions are nominal

Device	Package Type	Package Drawing	Pins	SPQ	Reel Diameter (mm)	Reel Width W1 (mm)	A0 (mm)	B0 (mm)	K0 (mm)	P1 (mm)	W (mm)	Pin1 Quadrant
SN75LBC978DLR	SSOP	DL	56	1000	330.0	32.4	11.35	18.67	3.1	16.0	32.0	Q1

TAPE AND REEL BOX DIMENSIONS



*All dimensions are nominal

Device	Package Type	Package Drawing	Pins	SPQ	Length (mm)	Width (mm)	Height (mm)
SN75LBC978DLR	SSOP	DL	56	1000	346.0	346.0	49.0

IMPORTANT NOTICE

Texas Instruments Incorporated and its subsidiaries (TI) reserve the right to make corrections, modifications, enhancements, improvements, and other changes to its products and services at any time and to discontinue any product or service without notice. Customers should obtain the latest relevant information before placing orders and should verify that such information is current and complete. All products are sold subject to TI's terms and conditions of sale supplied at the time of order acknowledgment.

TI warrants performance of its hardware products to the specifications applicable at the time of sale in accordance with TI's standard warranty. Testing and other quality control techniques are used to the extent TI deems necessary to support this warranty. Except where mandated by government requirements, testing of all parameters of each product is not necessarily performed.

TI assumes no liability for applications assistance or customer product design. Customers are responsible for their products and applications using TI components. To minimize the risks associated with customer products and applications, customers should provide adequate design and operating safeguards.

TI does not warrant or represent that any license, either express or implied, is granted under any TI patent right, copyright, mask work right, or other TI intellectual property right relating to any combination, machine, or process in which TI products or services are used. Information published by TI regarding third-party products or services does not constitute a license from TI to use such products or services or a warranty or endorsement thereof. Use of such information may require a license from a third party under the patents or other intellectual property of the third party, or a license from TI under the patents or other intellectual property of TI.

Reproduction of TI information in TI data books or data sheets is permissible only if reproduction is without alteration and is accompanied by all associated warranties, conditions, limitations, and notices. Reproduction of this information with alteration is an unfair and deceptive business practice. TI is not responsible or liable for such altered documentation. Information of third parties may be subject to additional restrictions.

Resale of TI products or services with statements different from or beyond the parameters stated by TI for that product or service voids all express and any implied warranties for the associated TI product or service and is an unfair and deceptive business practice. TI is not responsible or liable for any such statements.

TI products are not authorized for use in safety-critical applications (such as life support) where a failure of the TI product would reasonably be expected to cause severe personal injury or death, unless officers of the parties have executed an agreement specifically governing such use. Buyers represent that they have all necessary expertise in the safety and regulatory ramifications of their applications, and acknowledge and agree that they are solely responsible for all legal, regulatory and safety-related requirements concerning their products and any use of TI products in such safety-critical applications, notwithstanding any applications-related information or support that may be provided by TI. Further, Buyers must fully indemnify TI and its representatives against any damages arising out of the use of TI products in such safety-critical applications.

TI products are neither designed nor intended for use in military/aerospace applications or environments unless the TI products are specifically designated by TI as military-grade or "enhanced plastic." Only products designated by TI as military-grade meet military specifications. Buyers acknowledge and agree that any such use of TI products which TI has not designated as military-grade is solely at the Buyer's risk, and that they are solely responsible for compliance with all legal and regulatory requirements in connection with such use.

TI products are neither designed nor intended for use in automotive applications or environments unless the specific TI products are designated by TI as compliant with ISO/TS 16949 requirements. Buyers acknowledge and agree that, if they use any non-designated products in automotive applications, TI will not be responsible for any failure to meet such requirements.

Following are URLs where you can obtain information on other Texas Instruments products and application solutions:

Products

Amplifiers	amplifier.ti.com
Data Converters	dataconverter.ti.com
DLP® Products	www.dlp.com
DSP	dsp.ti.com
Clocks and Timers	www.ti.com/clocks
Interface	interface.ti.com
Logic	logic.ti.com
Power Mgmt	power.ti.com
Microcontrollers	microcontroller.ti.com
RFID	www.ti-rfid.com
RF/IF and ZigBee® Solutions	www.ti.com/lprf

Applications

Audio	www.ti.com/audio
Automotive	www.ti.com/automotive
Broadband	www.ti.com/broadband
Digital Control	www.ti.com/digitalcontrol
Medical	www.ti.com/medical
Military	www.ti.com/military
Optical Networking	www.ti.com/opticalnetwork
Security	www.ti.com/security
Telephony	www.ti.com/telephony
Video & Imaging	www.ti.com/video
Wireless	www.ti.com/wireless

Mailing Address: Texas Instruments, Post Office Box 655303, Dallas, Texas 75265
Copyright © 2009, Texas Instruments Incorporated







Looking for pricing, stock, or lifecycle information?

Click below to explore more details on WIN SOURCE:

 [View SN75LBC978DL on WIN SOURCE](#)

 [Texas Instruments](#) Information

Optimize Your Supply Chain with WIN SOURCE Solutions

-  Global Sourcing Solution
-  Obsolete Management
-  Cost Control Management
-  Shortage Management
-  Alternative Solution
-  Excess Inventory Management