



**THE DATASHEET OF  
ST7FLITE19F1B6**





# ST7LITE1

## 8-BIT MCU WITH SINGLE VOLTAGE FLASH MEMORY, DATA EEPROM, ADC, 4 TIMERS, SPI

DATASHEET

### ■ Memories

- 4 Kbytes single voltage extended Flash (XFlash) Program memory with read-out protection, In-Circuit Programming and In-Application programming (ICP and IAP). 10K write/erase cycles guaranteed, data retention: 20 years at 55°C.
- 256 bytes RAM
- 128 bytes data E<sup>2</sup>PROM with read-out protection. 300K write/erase cycles guaranteed, data retention: 20 years at 55°C.

### ■ Clock, Reset and Supply Management

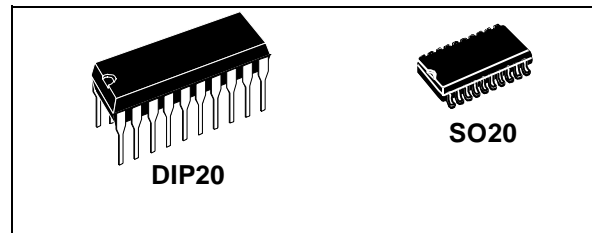
- Enhanced reset system
- Enhanced low voltage supervisor (LVD) for main supply and an auxiliary voltage detector (AVD) with interrupt capability for implementing safe power-down procedures
- Clock sources: Internal 1% RC oscillator (on some devices), crystal/ceramic resonator or external clock
- Internal 32-MHz input clock for Auto-reload timer
- Optional x4 or x8 PLL for 4 or 8 MHz internal clock
- Five Power Saving Modes: Halt, Active-Halt, Auto Wake-up from Halt, Wait and Slow

### ■ I/O Ports

- Up to 15 multifunctional bidirectional I/O lines
- 7 high sink outputs

### ■ 4 Timers

- Configurable watchdog timer
- Two 8-bit Lite Timers with prescaler,



1 realtime base and 1 input capture

- One 12-bit Auto-reload Timer with 4 PWM outputs, input capture and output compare functions

### ■ Communication Interface

- SPI synchronous serial interface

### ■ Interrupt Management

- 12 interrupt vectors plus TRAP and RESET
- 15 external interrupt lines (on 4 vectors)

### ■ A/D Converter

- 7 input channels
- Fixed gain Op-amp
- 13-bit precision for 0 to 430 mV (@ 5V V<sub>DD</sub>)
- 10-bit precision for 430 mV to 5V (@ 5V V<sub>DD</sub>)

### ■ Instruction Set

- 8-bit data manipulation
- 63 basic instructions
- 17 main addressing modes
- 8 x 8 unsigned multiply instructions

### ■ Development Tools

- Full hardware/software development package
- ICD (Debug Module)

### Device Summary

| Features               | ST7LITE10   | ST7LITE15   | ST7LITE19 |
|------------------------|---|---|-----------|
| Program memory - bytes |   | 4K  |           |
| RAM (stack) - bytes    |   | 256 (128)   |           |
| Data EEPROM - bytes    | -   | -   | 128       |
| Peripherals            | Lite Timer with Watchdog, Autoreload Timer, SPI, 10-bit ADC with Op-Amp | Lite Timer with Watchdog, Autoreload Timer with 32-MHz input clock, SPI, 10-bit ADC with Op-Amp |           |
| Operating Supply       | 2.4V to 5.5V  |   |           |
| CPU Frequency          | Up to 8Mhz (w/ ext OSC up to 16MHz)                                     | Up to 8Mhz (w/ ext OSC up to 16MHz and int 1MHz RC 1% PLLx8/4MHz)                               |           |
| Operating Temperature  | -40°C to +85°C  |   |           |
| Packages               | SO20 300", DIP20  |   |           |

Rev 1.3

---

# Table of Contents

---

|   |           |
|---|-----------|
| <b>1 INTRODUCTION</b>                       | <b>5</b>  |
| <b>2 PIN DESCRIPTION</b>                    | <b>6</b>  |
| <b>3 REGISTER &amp; MEMORY MAP</b>          | <b>9</b>  |
| <b>4 FLASH PROGRAM MEMORY</b>               | <b>12</b> |
| 4.1 INTRODUCTION                            | 12        |
| 4.2 MAIN FEATURES                           | 12        |
| 4.3 PROGRAMMING MODES                       | 12        |
| 4.4 ICC INTERFACE                           | 13        |
| 4.5 MEMORY PROTECTION                       | 14        |
| 4.6 RELATED DOCUMENTATION                   | 14        |
| 4.7 REGISTER DESCRIPTION                    | 14        |
| <b>5 DATA EEPROM</b>                        | <b>15</b> |
| 5.1 INTRODUCTION                            | 15        |
| 5.2 MAIN FEATURES                           | 15        |
| 5.3 MEMORY ACCESS                           | 16        |
| 5.4 POWER SAVING MODES                      | 18        |
| 5.5 ACCESS ERROR HANDLING                   | 18        |
| 5.6 DATA EEPROM READ-OUT PROTECTION         | 18        |
| 5.7 REGISTER DESCRIPTION                    | 19        |
| <b>6 CENTRAL PROCESSING UNIT</b>            | <b>20</b> |
| 6.1 INTRODUCTION                            | 20        |
| 6.2 MAIN FEATURES                           | 20        |
| 6.3 CPU REGISTERS                           | 20        |
| <b>7 SUPPLY, RESET AND CLOCK MANAGEMENT</b> | <b>23</b> |
| 7.1 INTERNAL RC OSCILLATOR ADJUSTMENT       | 23        |
| 7.2 PHASE LOCKED LOOP                       | 23        |
| 7.3 REGISTER DESCRIPTION                    | 24        |
| 7.4 MULTI-OSCILLATOR (MO)                   | 26        |
| 7.5 RESET SEQUENCE MANAGER (RSM)            | 27        |
| 7.6 SYSTEM INTEGRITY MANAGEMENT (SI)        | 29        |
| <b>8 INTERRUPTS</b>                         | <b>34</b> |
| 8.1 NON MASKABLE SOFTWARE INTERRUPT         | 34        |
| 8.2 EXTERNAL INTERRUPTS                     | 34        |
| 8.3 PERIPHERAL INTERRUPTS                   | 34        |
| <b>9 POWER SAVING MODES</b>                 | <b>38</b> |
| 9.1 INTRODUCTION                            | 38        |
| 9.2 SLOW MODE                               | 38        |
| 9.3 WAIT MODE                               | 39        |
| 9.4 HALT MODE                               | 40        |
| 9.5 ACTIVE-HALT MODE                        | 41        |
| 9.6 AUTO WAKE UP FROM HALT MODE             | 42        |

---

## Table of Contents

---

|   |            |
|---|------------|
| <b>10 I/O PORTS</b> .....                                     | <b>46</b>  |
| 10.1 INTRODUCTION .....                                       | 46         |
| 10.2 FUNCTIONAL DESCRIPTION .....                             | 46         |
| 10.3 I/O PORT IMPLEMENTATION .....                            | 49         |
| 10.4 UNUSED I/O PINS .....                                    | 49         |
| 10.5 LOW POWER MODES .....                                    | 49         |
| 10.6 INTERRUPTS .....   | 49         |
| 10.7 DEVICE-SPECIFIC I/O PORT CONFIGURATION .....             | 50         |
| <b>11 ON-CHIP PERIPHERALS</b> .....                           | <b>51</b>  |
| 11.1 WATCHDOG TIMER (WDG) .....                               | 51         |
| 11.2 12-BIT AUTORELOAD TIMER 2 (AT2) .....                    | 55         |
| 11.3 LITE TIMER 2 (LT2) .....                                 | 65         |
| 11.4 SERIAL PERIPHERAL INTERFACE (SPI) .....                  | 70         |
| 11.5 10-BIT A/D CONVERTER (ADC) .....                         | 81         |
| <b>12 INSTRUCTION SET</b> .....                               | <b>85</b>  |
| 12.1 ST7 ADDRESSING MODES .....                               | 85         |
| 12.2 INSTRUCTION GROUPS .....                                 | 88         |
| <b>13 ELECTRICAL CHARACTERISTICS</b> .....                    | <b>91</b>  |
| 13.1 PARAMETER CONDITIONS .....                               | 91         |
| 13.2 ABSOLUTE MAXIMUM RATINGS .....                           | 92         |
| 13.3 OPERATING CONDITIONS .....                               | 93         |
| 13.4 SUPPLY CURRENT CHARACTERISTICS .....                     | 99         |
| 13.5 CLOCK AND TIMING CHARACTERISTICS .....                   | 101        |
| 13.6 MEMORY CHARACTERISTICS .....                             | 102        |
| 13.7 EMC CHARACTERISTICS .....                                | 103        |
| 13.8 I/O PORT PIN CHARACTERISTICS .....                       | 108        |
| 13.9 CONTROL PIN CHARACTERISTICS .....                        | 113        |
| 13.10 COMMUNICATION INTERFACE CHARACTERISTICS .....           | 114        |
| 13.11 10-BIT ADC CHARACTERISTICS .....                        | 116        |
| <b>14 PACKAGE CHARACTERISTICS</b> .....                       | <b>120</b> |
| 14.1 PACKAGE MECHANICAL DATA .....                            | 120        |
| 14.2 SOLDERING AND GLUEABILITY INFORMATION .....              | 122        |
| <b>15 DEVICE CONFIGURATION AND ORDERING INFORMATION</b> ..... | <b>123</b> |
| 15.1 OPTION BYTES .....                                       | 123        |
| 15.2 DEVICE ORDERING INFORMATION .....                        | 125        |
| 15.3 DEVELOPMENT TOOLS .....                                  | 126        |
| 15.4 ST7 APPLICATION NOTES .....                              | 127        |
| <b>16 IMPORTANT NOTES</b> .....                               | <b>129</b> |
| 16.1 EXECUTION OF BTJX INSTRUCTION .....                      | 129        |
| 16.2 ADC CONVERSION SPURIOUS RESULTS .....                    | 129        |
| 16.3 A/D CONVERTER ACCURACY FOR FIRST CONVERSION .....        | 129        |

---

## Table of Contents

---

|                                    |            |
|------------------------------------|------------|
| <b>17 SUMMARY OF CHANGES .....</b> | <b>130</b> |
|------------------------------------|------------|

To obtain the most recent version of this datasheet,  
please check at [www.st.com>products>technical literature>datasheet](http://www.st.com>products>technical literature>datasheet)

Please also pay special attention to the Section "IMPORTANT NOTES" on page 129.

## 1 INTRODUCTION

The ST7LITE1 is a member of the ST7 microcontroller family. All ST7 devices are based on a common industry-standard 8-bit core, featuring an enhanced instruction set.

The ST7LITE1 features FLASH memory with byte-by-byte In-Circuit Programming (ICP) and In-Application Programming (IAP) capability.

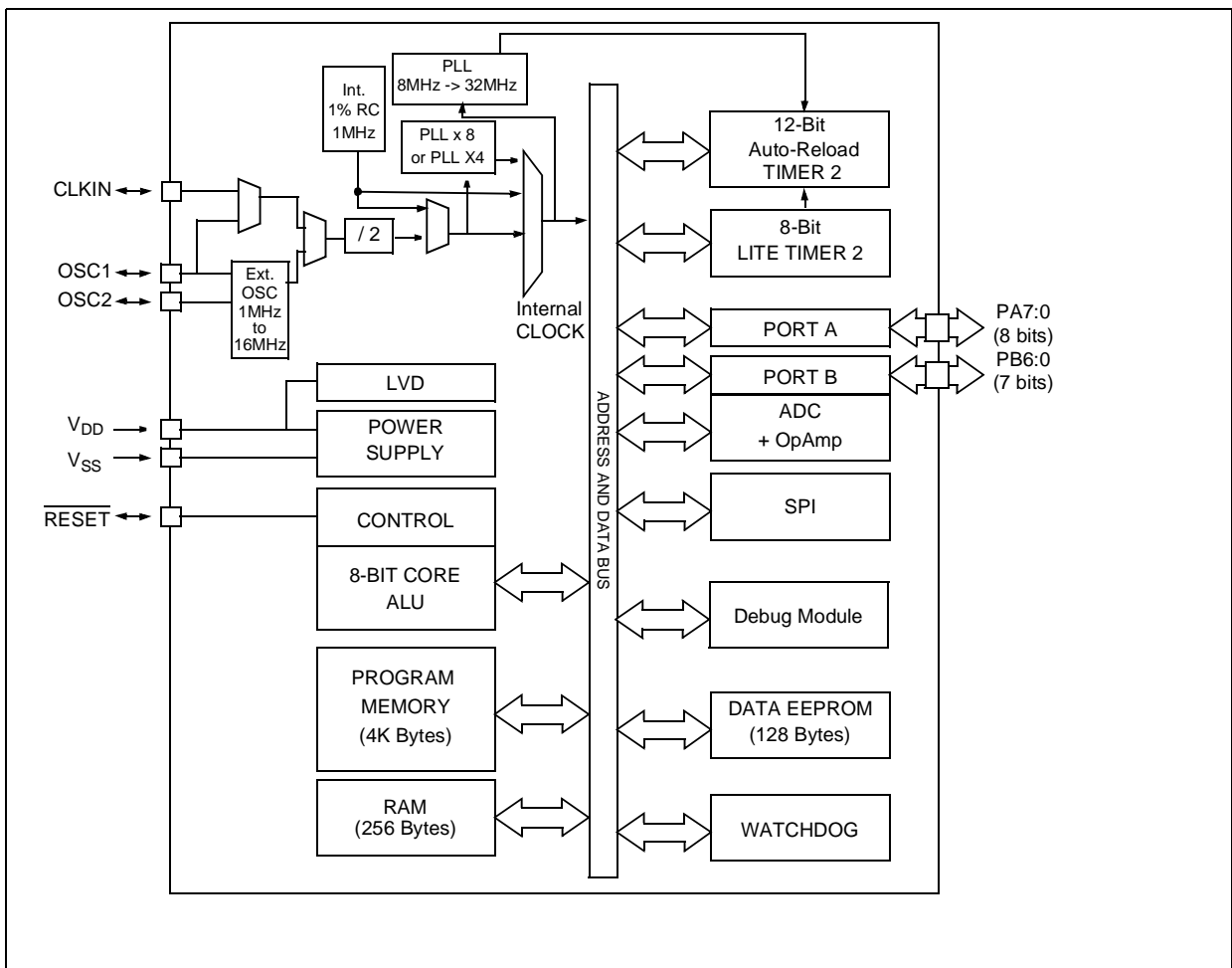
Under software control, the ST7LITE1 device can be placed in WAIT, SLOW, or HALT mode, reducing power consumption when the application is in idle or standby state.

The enhanced instruction set and addressing modes of the ST7 offer both power and flexibility to

software developers, enabling the design of highly efficient and compact application code. In addition to standard 8-bit data management, all ST7 microcontrollers feature true bit manipulation, 8x8 unsigned multiplication and indirect addressing modes.

For easy reference, all parametric data are located in [section 13 on page 91](#). The devices feature an on-chip Debug Module (DM) to support in-circuit debugging (ICD). For a description of the DM registers, refer to the ST7 ICC Protocol Reference Manual.

**Figure 1. General Block Diagram**



## 2 PIN DESCRIPTION

Figure 2. 20-Pin SO Package Pinout

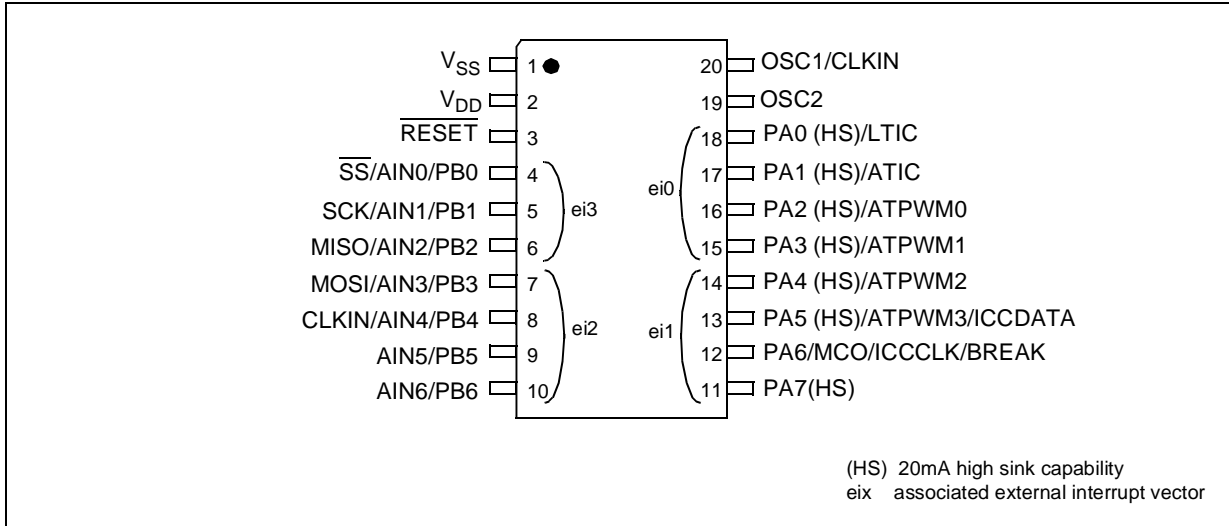
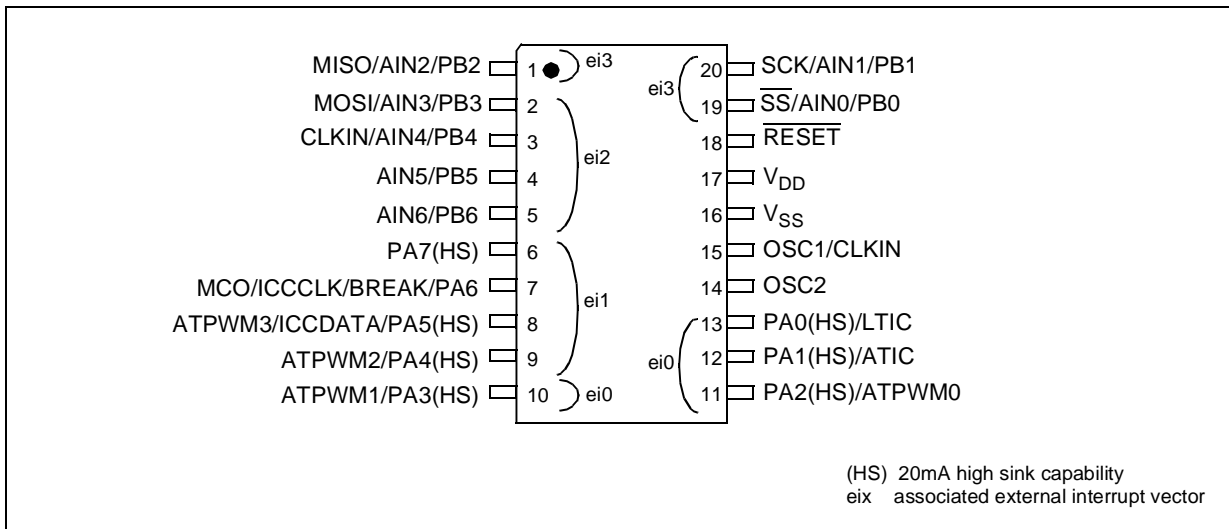


Figure 3. 20-Pin DIP Package Pinout



## PIN DESCRIPTION (Cont'd)

## Legend / Abbreviations for Table 1:

Type: I = input, O = output, S = supply

In/Output level:  $C_T$  = CMOS  $0.3V_{DD}/0.7V_{DD}$  with input trigger

Output level: HS = 20mA high sink (on N-buffer only)

Port and control configuration:

- Input: float = floating, wpu = weak pull-up, int = interrupt, ana = analog
- Output: OD = open drain, PP = push-pull

The RESET configuration of each pin is shown in bold which is valid as long as the device is in reset state.

Table 1. Device Pin Description

| Pin No. |       | Pin Name                  | Type | Level |        | Port / Control |     |     |     |        |    | Main Function (after reset) | Alternate Function  |
|---------|-------|---------------------------|------|-------|--------|----------------|-----|-----|-----|--------|----|-----------------------------|---|
| SO20    | DIP20 |                           |      | Input | Output | Input          |     |     |     | Output |    |                             |   |
|         |       |                           |      |       |        | float          | wpu | int | ana | OD     | PP |                             |   |
| 1       | 16    | $V_{SS}$                  | S    |       |        |                |     |     |     |        |    |                             | Ground  |
| 2       | 17    | $V_{DD}$                  | S    |       |        |                |     |     |     |        |    |                             | Main power supply   |
| 3       | 18    | <b>RESET</b>              | I/O  | $C_T$ |        |                | X   |     |     | X      |    |                             | Top priority non maskable interrupt (active low)  |
| 4       | 19    | PB0/AIN0/ $\overline{SS}$ | I/O  | $C_T$ | X      |                |     |     | X   | X      | X  | <b>Port B0</b>              | ADC Analog Input 0 or SPI Slave Select (active low)   |
| 5       | 20    | PB1/AIN1/SCK              | I/O  | $C_T$ | X      |                |     | ei3 | X   | X      | X  | <b>Port B1</b>              | ADC Analog Input 1 or SPI Serial Clock  |
| 6       | 1     | PB2/AIN2/MISO             | I/O  | $C_T$ | X      |                |     |     | X   | X      | X  | <b>Port B2</b>              | ADC Analog Input 2 or SPI Master In/ Slave Out Data   |
| 7       | 2     | PB3/AIN3/MOSI             | I/O  | $C_T$ | X      |                |     |     | X   | X      | X  | <b>Port B3</b>              | ADC Analog Input 3 or SPI Master Out / Slave In Data  |
| 8       | 3     | PB4/AIN4/CLKIN            | I/O  | $C_T$ | X      |                |     | ei2 | X   | X      | X  | <b>Port B4</b>              | ADC Analog Input 4 or External clock input  |
| 9       | 4     | PB5/AIN5                  | I/O  | $C_T$ | X      |                |     |     | X   | X      | X  | <b>Port B5</b>              | ADC Analog Input 5  |
| 10      | 5     | PB6/AIN6                  | I/O  | $C_T$ | X      |                |     |     | X   | X      | X  | <b>Port B6</b>              | ADC Analog Input 6  |
| 11      | 6     | PA7                       | I/O  | $C_T$ | HS     | X              |     | ei1 |     | X      | X  | <b>Port A7</b>              |   |
| 12      | 7     | PA6 /MCO/ ICCCLK/BREAK    | I/O  | $C_T$ | X      |                |     | ei1 |     | X      | X  | <b>Port A6</b>              | Main Clock Output or In Circuit Communication Clock or External BREAK<br><b>Caution:</b> During reset, this pin must be held at high level to avoid entering ICC mode unexpectedly (this is guaranteed by the internal pull-up if the application leaves the pin floating). |

# ST7LITE1

| Pin No. |       | Pin Name      | Type | Level          |        | Port / Control |     |     |        |    |    | Main Function (after reset) | Alternate Function  |                                 |
|---------|-------|---------------|------|----------------|--------|----------------|-----|-----|--------|----|----|-----------------------------|---|---------------------------------|
| SO20    | DIP20 |               |      | Input          | Output | Input          |     |     | Output |    |    |                             |   |                                 |
|         |       |               |      |                |        | float          | wpu | int | ana    | OD | PP |                             |   |                                 |
| 13      | 8     | PA5 / ICCDATA | I/O  | C <sub>T</sub> | HS     | X              | ei1 |     |        |    | X  | X                           | Port A5   | In Circuit Communication Data   |
| 14      | 9     | PA4           | I/O  | C <sub>T</sub> | HS     | X              |     |     |        |    | X  | X                           | Port A4   |                                 |
| 15      | 10    | PA3/ATPWM1    | I/O  | C <sub>T</sub> | HS     | X              | ei0 |     |        |    | X  | X                           | Port A3   | Auto-Reload Timer PWM1          |
| 16      | 11    | PA2/ATPWM0    | I/O  | C <sub>T</sub> | HS     | X              |     |     |        |    | X  | X                           | Port A2   | Auto-Reload Timer PWM0          |
| 17      | 12    | PA1/ATIC      | I/O  | C <sub>T</sub> | HS     | X              |     |     |        |    | X  | X                           | Port A1   | Auto-Reload Timer Input Capture |
| 18      | 13    | PA0/LTIC      | I/O  | C <sub>T</sub> | HS     | X              |     |     |        |    | X  | X                           | Port A0   | Lite Timer Input Capture        |
| 19      | 14    | OSC2          | O    |                |        |                |     |     |        |    |    |                             | Resonator oscillator inverter output                        |                                 |
| 20      | 15    | OSC1/CLKIN    | I    |                |        |                |     |     |        |    |    |                             | Resonator oscillator inverter input or External clock input |                                 |

### 3 REGISTER & MEMORY MAP

As shown in [Figure 4](#), the MCU is capable of addressing 64K bytes of memories and I/O registers.

The available memory locations consist of 128 bytes of register locations, 256 bytes of RAM, 128 bytes of data EEPROM and 4 Kbytes of flash program memory. The RAM space includes up to 128 bytes for the stack from 180h to 1FFh.

The highest address bytes contain the user reset and interrupt vectors.

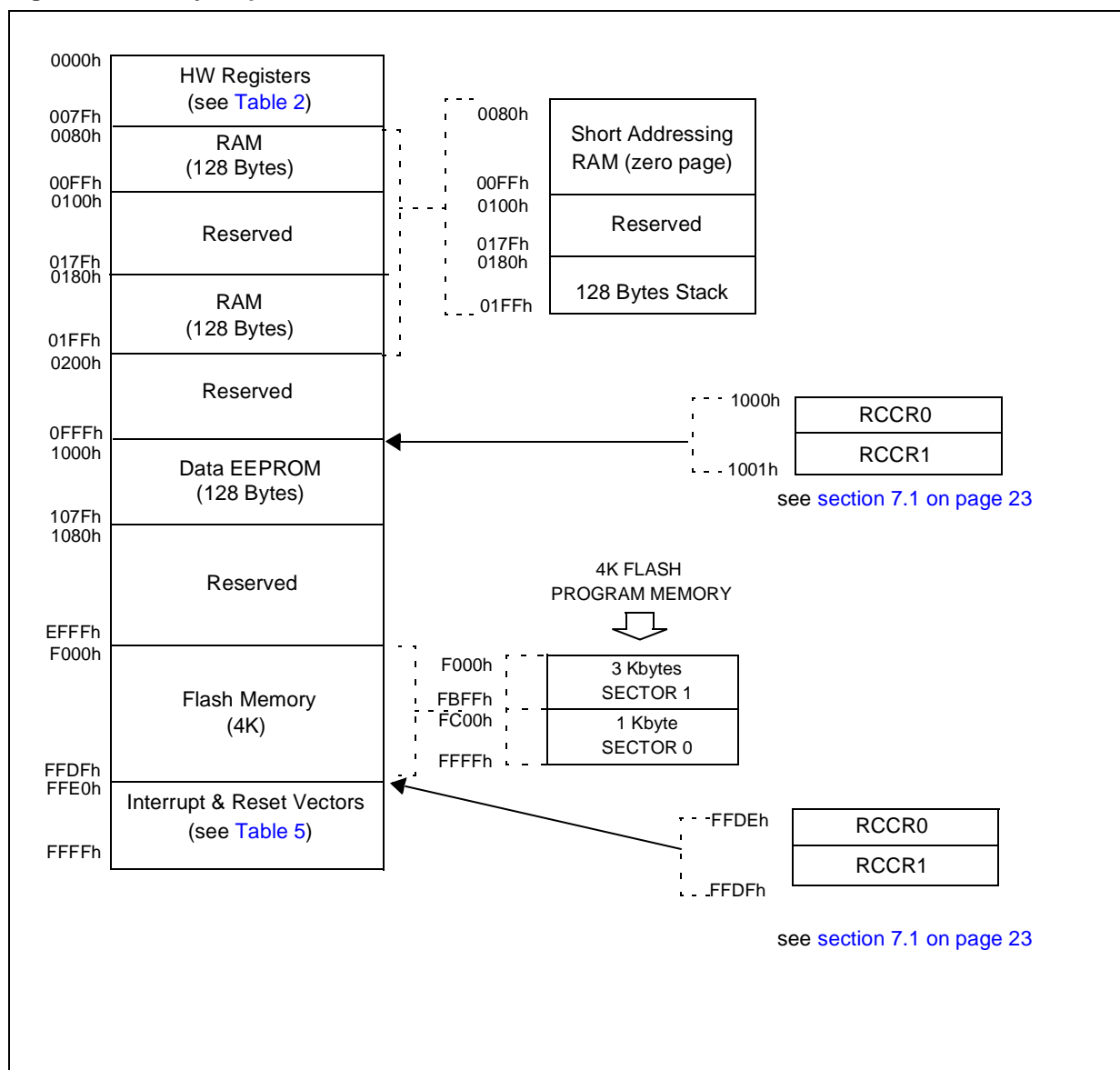
The Flash memory contains two sectors (see [Figure 4](#)) mapped in the upper part of the ST7 ad-

ressing space so the reset and interrupt vectors are located in Sector 0 (F000h-FFFFh).

The size of Flash Sector 0 and other device options are configurable by Option byte (refer to [section 15.1 on page 123](#)).

**IMPORTANT:** Memory locations marked as “Reserved” must never be accessed. Accessing a reserved area can have unpredictable effects on the device.

**Figure 4. Memory Map**



**Table 2. Hardware Register Map**

| Address  | Block                      | Register Label                 | Register Name                           | Reset Status      | Remarks           |
|--|----------------------------|--------------------------------|---|-------------------|-------------------|
| 0000h<br>0001h<br>0002h  | Port A                     | PADR                           | Port A Data Register                    | FFh <sup>1)</sup> | R/W               |
|  |                            | PADDR                          | Port A Data Direction Register          | 00h               | R/W               |
|  |                            | PAOR                           | Port A Option Register                  | 40h               | R/W               |
| 0003h<br>0004h<br>0005h  | Port B                     | PBDR                           | Port B Data Register                    | FFh <sup>1)</sup> | R/W               |
|  |                            | PBDDR                          | Port B Data Direction Register          | 00h               | R/W               |
|  |                            | PBOR                           | Port B Option Register                  | 00h               | R/W <sup>2)</sup> |
| 0006h<br>0007h   | Reserved Area (2 bytes)    |                                |   |                   |                   |
| 0008h<br>0009h<br>000Ah<br>000Bh<br>000Ch  | LITE<br>TIMER 2            | LTCSR2                         | Lite Timer Control/Status Register 2    | 0Fh               | R/W               |
|  |                            | LTARR                          | Lite Timer Auto-reload Register         | 00h               | R/W               |
|  |                            | LTCNTR                         | Lite Timer Counter Register             | 00h               | Read Only         |
|  |                            | LTCSR1                         | Lite Timer Control/Status Register 1    | 0X00 0000h        | R/W               |
|  |                            | LTICR                          | Lite Timer Input Capture Register       | xxh               | Read Only         |
| 000Dh<br>000Eh<br>000Fh<br>0010h<br>0011h<br>0012h<br>0013h<br>0014h<br>0015h<br>0016h<br>0017h<br>0018h<br>0019h<br>001Ah<br>001Bh<br>001Ch<br>001Dh<br>001Eh<br>001Fh<br>0020h<br>0021h<br>0022h | AUTO-<br>RELOAD<br>TIMER 2 | ATCSR                          | Timer Control/Status Register           | 0X00 0000h        | R/W               |
|  |                            | CNTRH                          | Counter Register High                   | 00h               | Read Only         |
|  |                            | CNTRL                          | Counter Register Low                    | 00h               | Read Only         |
|  |                            | ATRH                           | Auto-Reload Register High               | 00h               | R/W               |
|  |                            | ATRL                           | Auto-Reload Register Low                | 00h               | R/W               |
|  |                            | PWMCR                          | PWM Output Control Register             | 00h               | R/W               |
|  |                            | PWM0CSR                        | PWM 0 Control/Status Register           | 00h               | R/W               |
|  |                            | PWM1CSR                        | PWM 1 Control/Status Register           | 00h               | R/W               |
|  |                            | PWM2CSR                        | PWM 2 Control/Status Register           | 00h               | R/W               |
|  |                            | PWM3CSR                        | PWM 3 Control/Status Register           | 00h               | R/W               |
|  |                            | DCR0H                          | PWM 0 Duty Cycle Register High          | 00h               | R/W               |
|  |                            | DCR0L                          | PWM 0 Duty Cycle Register Low           | 00h               | R/W               |
|  |                            | DCR1H                          | PWM 1 Duty Cycle Register High          | 00h               | R/W               |
|  |                            | DCR1L                          | PWM 1 Duty Cycle Register Low           | 00h               | R/W               |
|  |                            | DCR2H                          | PWM 2 Duty Cycle Register High          | 00h               | R/W               |
|  | DCR2L                      | PWM 2 Duty Cycle Register Low  | 00h                                     | R/W               |                   |
|  | DCR3H                      | PWM 3 Duty Cycle Register High | 00h                                     | R/W               |                   |
|  | DCR3L                      | PWM 3 Duty Cycle Register Low  | 00h                                     | R/W               |                   |
|  | ATICRH                     | Input Capture Register High    | 00h                                     | Read Only         |                   |
|  | ATICRL                     | Input Capture Register Low     | 00h                                     | Read Only         |                   |
|  | TRANCR                     | Transfer Control Register      | 01h                                     | R/W               |                   |
|  | BREAKCR                    | Break Control Register         | 00h                                     | R/W               |                   |
| 0023h to<br>002Dh  | Reserved area (11 bytes)   |                                |   |                   |                   |
| 002Eh  | WDG                        | WDGCR                          | Watchdog Control Register               | 7Fh               | R/W               |
| 0002Fh   | FLASH                      | FCSR                           | Flash Control/Status Register           | 00h               | R/W               |
| 00030h   | EEPROM                     | EECSR                          | Data EEPROM Control/Status Register     | 00h               | R/W               |
| 0031h<br>0032h<br>0033h  | SPI                        | SPI DR                         | SPI Data I/O Register                   | xxh               | R/W               |
|  |                            | SPI CR                         | SPI Control Register                    | 0xh               | R/W               |
|  |                            | SPI CSR                        | SPI Control Status Register             | 00h               | R/W               |
| 0034h<br>0035h<br>0036h  | ADC                        | ADCCSR                         | A/D Control Status Register             | 00h               | R/W               |
|  |                            | ADCDRH                         | A/D Data Register High                  | xxh               | Read Only         |
|  |                            | ADC DRL                        | A/D Amplifier Control/Data Low Register | 0xh               | R/W               |

| Address  | Block                    | Register Label                                       | Register Name   | Reset Status                           | Remarks                                |
|--|--------------------------|--|---|--|--|
| 0037h  | ITC                      | EICR   | External Interrupt Control Register   | 00h                                    | R/W                                    |
| 0038h  | MCC                      | MCCSR  | Main Clock Control/Status Register  | 00h                                    | R/W                                    |
| 0039h<br>003Ah                                     | Clock and<br>Reset       | RCCR<br>SICSR  | RC oscillator Control Register<br>System Integrity Control/Status Register  | FFh<br>0000 0XX0h                      | R/W<br>R/W                             |
| 003Bh  | Reserved area (1 byte)   |  |   |  |  |
| 003Ch  | ITC                      | EISR   | External Interrupt Selection Register   | 0Ch                                    | R/W                                    |
| 003Dh to<br>0048h                                  | Reserved area (12 bytes) |  |   |  |  |
| 0049h<br>004Ah                                     | AWU                      | AWUPR<br>AWUCSR                                      | AWU Prescaler Register<br>AWU Control/Status Register   | FFh<br>00h                             | R/W<br>R/W                             |
| 004Bh<br>004Ch<br>004Dh<br>004Eh<br>004Fh<br>0050h | DM <sup>3)</sup>         | DMCR<br>DMSR<br>DMBK1H<br>DMBK1L<br>DMBK2H<br>DMBK2L | DM Control Register<br>DM Status Register<br>DM Breakpoint Register 1 High<br>DM Breakpoint Register 1 Low<br>DM Breakpoint Register 2 High<br>DM Breakpoint Register 2 Low | 00h<br>00h<br>00h<br>00h<br>00h<br>00h | R/W<br>R/W<br>R/W<br>R/W<br>R/W<br>R/W |
| 0051h to<br>007Fh                                  | Reserved area (47 bytes) |  |   |  |  |

**Legend:** x=undefined, R/W=read/write

**Notes:**

1. The contents of the I/O port DR registers are readable only in output configuration. In input configuration, the values of the I/O pins are returned instead of the DR register contents.
2. The bits associated with unavailable pins must always keep their reset value.
3. For a description of the Debug Module registers, see ICC reference manual.

## 4 FLASH PROGRAM MEMORY

### 4.1 Introduction

The ST7 single voltage extended Flash (XFlash) is a non-volatile memory that can be electrically erased and programmed either on a byte-by-byte basis or up to 32 bytes in parallel.

The XFlash devices can be programmed off-board (plugged in a programming tool) or on-board using In-Circuit Programming or In-Application Programming.

The array matrix organisation allows each sector to be erased and reprogrammed without affecting other sectors.

### 4.2 Main Features

- ICP (In-Circuit Programming)
- IAP (In-Application Programming)
- ICT (In-Circuit Testing) for downloading and executing user application test patterns in RAM
- Sector 0 size configurable by option byte
- Read-out and write protection against piracy

### 4.3 PROGRAMMING MODES

The ST7 can be programmed in three different ways:

- Insertion in a programming tool. In this mode, FLASH sectors 0 and 1, option byte row and data EEPROM (if present) can be programmed or erased.
- In-Circuit Programming. In this mode, FLASH sectors 0 and 1, option byte row and data EEPROM (if present) can be programmed or erased without removing the device from the application board.
- In-Application Programming. In this mode, sector 1 and data EEPROM (if present) can be programmed or erased without removing

the device from the application board and while the application is running.

#### 4.3.1 In-Circuit Programming (ICP)

ICP uses a protocol called ICC (In-Circuit Communication) which allows an ST7 plugged on a printed circuit board (PCB) to communicate with an external programming device connected via cable. ICP is performed in three steps:

Switch the ST7 to ICC mode (In-Circuit Communications). This is done by driving a specific signal sequence on the ICCCLK/DATA pins while the RESET pin is pulled low. When the ST7 enters ICC mode, it fetches a specific RESET vector which points to the ST7 System Memory containing the ICC protocol routine. This routine enables the ST7 to receive bytes from the ICC interface.

- Download ICP Driver code in RAM from the ICCDATA pin
- Execute ICP Driver code in RAM to program the FLASH memory

Depending on the ICP Driver code downloaded in RAM, FLASH memory programming can be fully customized (number of bytes to program, program locations, or selection of the serial communication interface for downloading).

#### 4.3.2 In Application Programming (IAP)

This mode uses an IAP Driver program previously programmed in Sector 0 by the user (in ICP mode).

This mode is fully controlled by user software. This allows it to be adapted to the user application, (user-defined strategy for entering programming mode, choice of communications protocol used to fetch the data to be stored etc.)

IAP mode can be used to program any memory areas except Sector 0, which is write/erase protected to allow recovery in case errors occur during the programming operation.

## FLASH PROGRAM MEMORY (Cont'd)

## 4.4 ICC interface

ICP needs a minimum of 4 and up to 6 pins to be connected to the programming tool. These pins are:

- RESET: device reset
- $V_{SS}$ : device power supply ground
- ICCCLK: ICC output serial clock pin
- ICCDATA: ICC input serial data pin
- OSC1: main clock input for external source (not required on devices without OSC1/OSC2 pins)
- $V_{DD}$ : application board power supply (optional, see Note 3)

## Notes:

1. If the ICCCLK or ICCDATA pins are only used as outputs in the application, no signal isolation is necessary. As soon as the Programming Tool is plugged to the board, even if an ICC session is not in progress, the ICCCLK and ICCDATA pins are not available for the application. If they are used as inputs by the application, isolation such as a serial resistor has to be implemented in case another device forces the signal. Refer to the Programming Tool documentation for recommended resistor values.

2. During the ICP session, the programming tool must control the RESET pin. This can lead to conflicts between the programming tool and the appli-

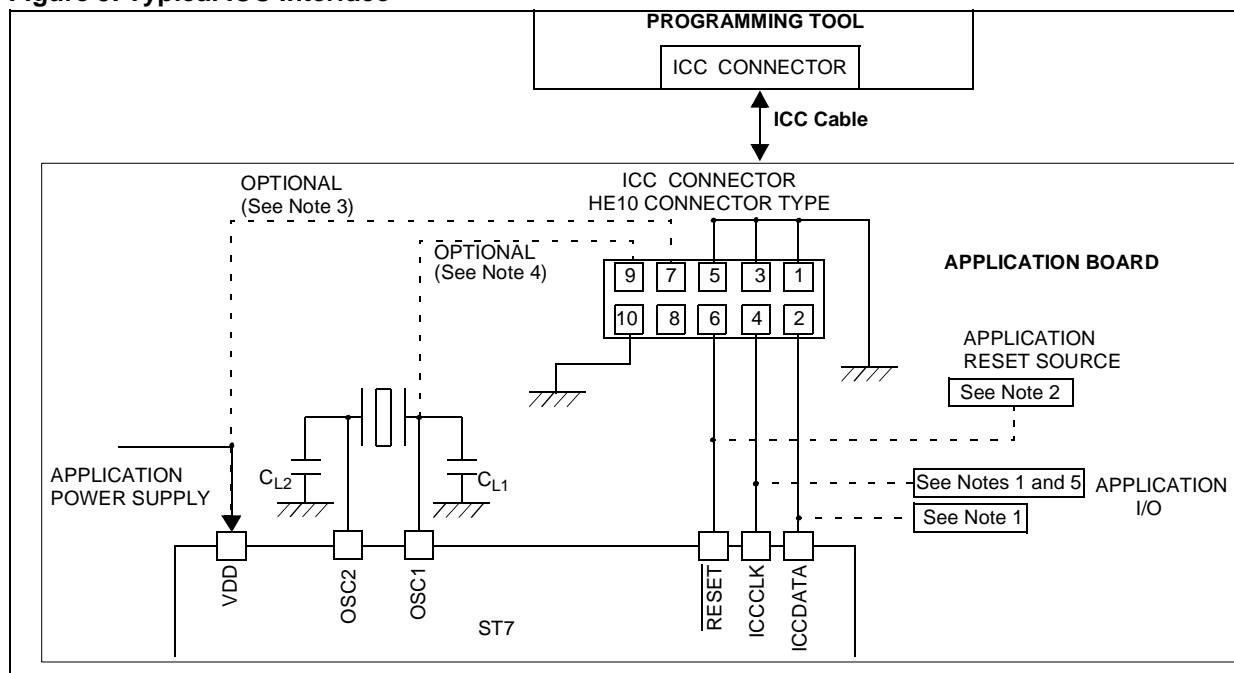
cation reset circuit if it drives more than 5mA at high level (push pull output or pull-up resistor < 1K). A schottky diode can be used to isolate the application RESET circuit in this case. When using a classical RC network with  $R > 1K$  or a reset management IC with open drain output and pull-up resistor > 1K, no additional components are needed. In all cases the user must ensure that no external reset is generated by the application during the ICC session.

3. The use of Pin 7 of the ICC connector depends on the Programming Tool architecture. This pin must be connected when using most ST Programming Tools (it is used to monitor the application power supply). Please refer to the Programming Tool manual.

4. Pin 9 has to be connected to the OSC1 pin of the ST7 when the clock is not available in the application or if the selected clock option is not programmed in the option byte. ST7 devices with multi-oscillator capability need to have OSC2 grounded in this case.

5. During reset, this pin must be held at high level to avoid entering ICC mode unexpectedly (this is guaranteed by the internal pull-up if the application leaves the pin floating).

Figure 5. Typical ICC Interface



**FLASH PROGRAM MEMORY (Cont'd)**

**4.5 Memory Protection**

There are two different types of memory protection: Read Out Protection and Write/Erase Protection which can be applied individually.

**4.5.1 Read out Protection**

Read out protection, when selected, makes it impossible to extract the memory content from the microcontroller, thus preventing piracy. Both program and data E<sup>2</sup> memory are protected.

In flash devices, this protection is removed by reprogramming the option. In this case, both program and data E<sup>2</sup> memory are automatically erased and the device can be reprogrammed.

Read-out protection selection depends on the device type:

- In Flash devices it is enabled and removed through the FMP\_R bit in the option byte.
- In ROM devices it is enabled by mask option specified in the Option List.

**4.5.2 Flash Write/Erase Protection**

Write/erase protection, when set, makes it impossible to both overwrite and erase program memory. It does not apply to E<sup>2</sup> data. Its purpose is to provide advanced security to applications and prevent any change being made to the memory content.

**Warning:** Once set, Write/erase protection can never be removed. A write-protected flash device is no longer reprogrammable.

Write/erase protection is enabled through the FMP\_W bit in the option byte.

**4.6 Related Documentation**

For details on Flash programming and ICC protocol, refer to the ST7 Flash Programming Reference Manual and to the ST7 ICC Protocol Reference Manual.

**4.7 Register Description**

**FLASH CONTROL/STATUS REGISTER (FCSR)**

Read/Write

Reset Value: 000 0000 (00h)

1st RASS Key: 0101 0110 (56h)

2nd RASS Key: 1010 1110 (AEh)

|   |   |   |   |   |     |     |     |  |   |
|---|---|---|---|---|-----|-----|-----|--|---|
|   |   |   |   |   | 7   |     |     |  | 0 |
| 0 | 0 | 0 | 0 | 0 | OPT | LAT | PGM |  |   |

**Note:** This register is reserved for programming using ICP, IAP or other programming methods. It controls the XFlash programming and erasing operations.

When an EPB or another programming tool is used (in socket or ICP mode), the RASS keys are sent automatically.

## 5 DATA EEPROM

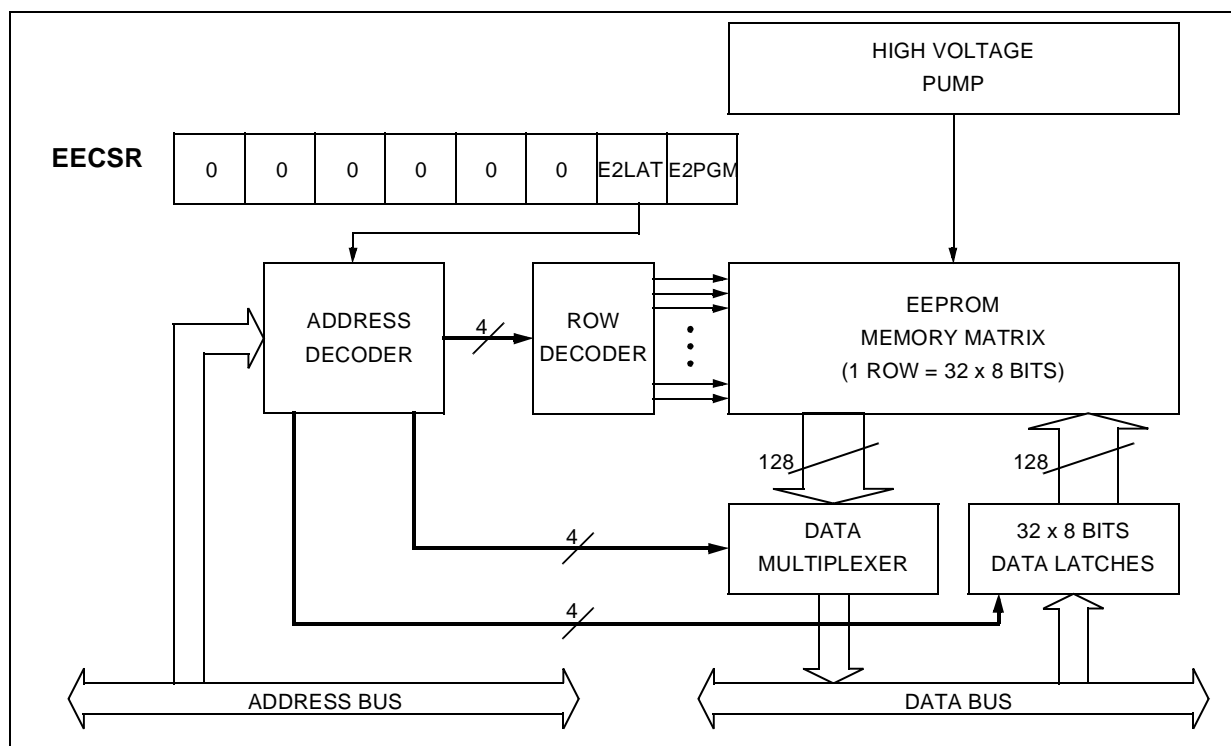
### 5.1 INTRODUCTION

The Electrically Erasable Programmable Read Only Memory can be used as a non volatile back-up for storing data. Using the EEPROM requires a basic access protocol described in this chapter.

### 5.2 MAIN FEATURES

- Up to 32 Bytes programmed in the same cycle
- EEPROM mono-voltage (charge pump)
- Chained erase and programming cycles
- Internal control of the global programming cycle duration
- WAIT mode management
- Readout protection against piracy

Figure 6. EEPROM Block Diagram



DATA EEPROM (Cont'd)

5.3 MEMORY ACCESS

The Data EEPROM memory read/write access modes are controlled by the E2LAT bit of the EEPROM Control/Status register (EECSR). The flowchart in Figure 7 describes these different memory access modes.

Read Operation (E2LAT=0)

The EEPROM can be read as a normal ROM location when the E2LAT bit of the EECSR register is cleared. In a read cycle, the byte to be accessed is put on the data bus in less than 1 CPU clock cycle. This means that reading data from EEPROM takes the same time as reading data from EPROM, but this memory cannot be used to execute machine code.

Write Operation (E2LAT=1)

To access the write mode, the E2LAT bit has to be set by software (the E2PGM bit remains cleared). When a write access to the EEPROM area occurs,

the value is latched inside the 32 data latches according to its address.

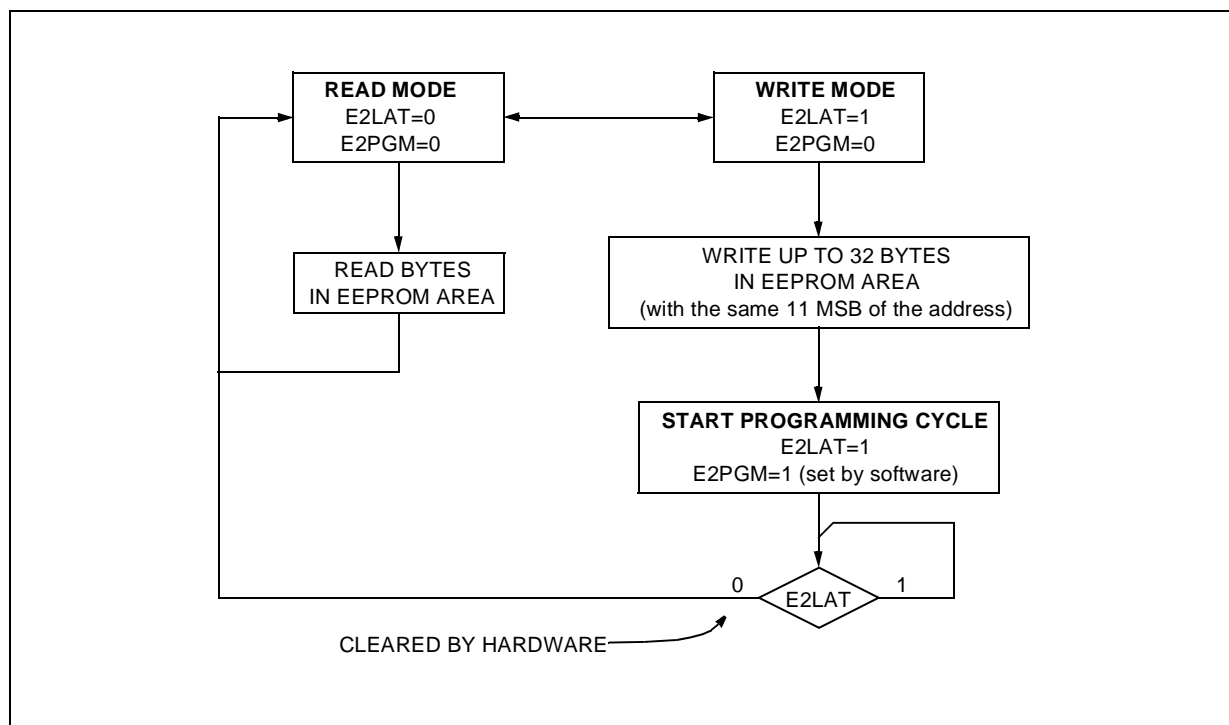
When PGM bit is set by the software, all the previous bytes written in the data latches (up to 32) are programmed in the EEPROM cells. The effective high address (row) is determined by the last EEPROM write sequence. To avoid wrong programming, the user must take care that all the bytes written between two programming sequences have the same high address: only the five Least Significant Bits of the address can change.

At the end of the programming cycle, the PGM and LAT bits are cleared simultaneously.

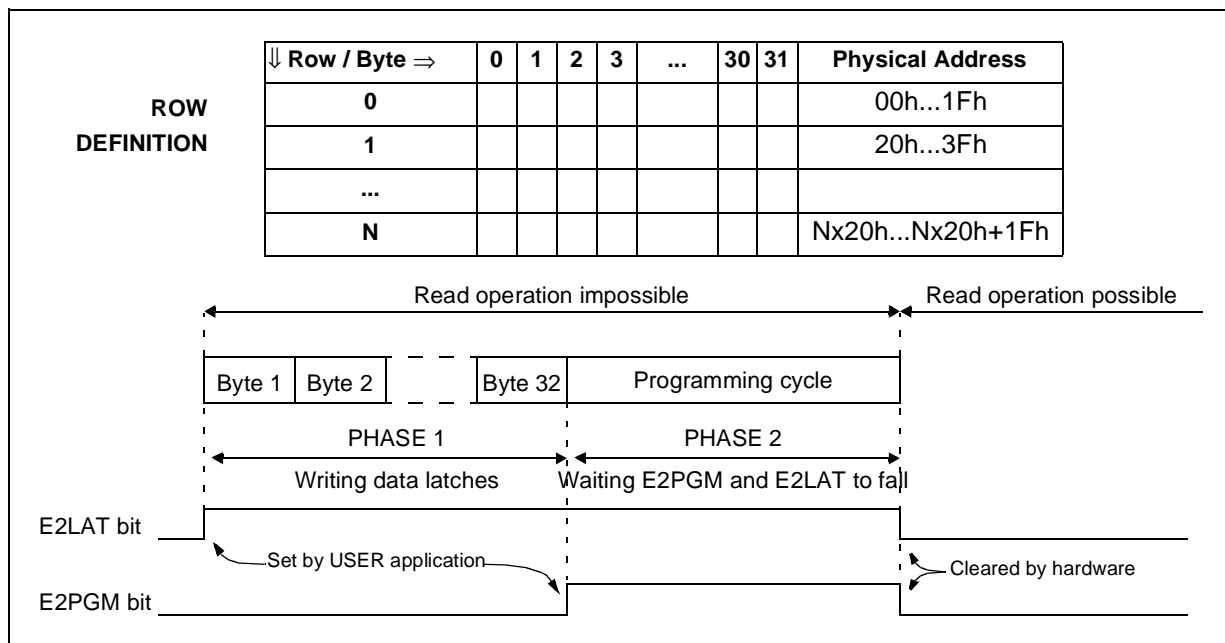
**Note:** Care should be taken during the programming cycle. Writing to the same memory location will over-program the memory (logical AND between the two write access data result) because the data latches are only cleared at the end of the programming cycle and by the falling edge of the E2LAT bit.

It is not possible to read the latched data. This note is illustrated by the Figure 9.

Figure 7. Data EEPROM Programming Flowchart



## DATA EEPROM (Cont'd)

Figure 8. Data E<sup>2</sup>PROM Write Operation

**Note:** If a programming cycle is interrupted (by software or a reset action), the integrity of the data in memory is not guaranteed.

DATA EEPROM (Cont'd)

5.4 POWER SAVING MODES

Wait mode

The DATA EEPROM can enter WAIT mode on execution of the WFI instruction of the microcontroller or when the microcontroller enters Active-HALT mode. The DATA EEPROM will immediately enter this mode if there is no programming in progress, otherwise the DATA EEPROM will finish the cycle and then enter WAIT mode.

Active-Halt mode

Refer to Wait mode.

Halt mode

The DATA EEPROM immediately enters HALT mode if the microcontroller executes the HALT instruction. Therefore the EEPROM will stop the function in progress, and data may be corrupted.

5.5 ACCESS ERROR HANDLING

If a read access occurs while E2LAT=1, then the data bus will not be driven.

If a write access occurs while E2LAT=0, then the data on the bus will not be latched.

If a programming cycle is interrupted (by software/RESET action), the memory data will not be guaranteed.

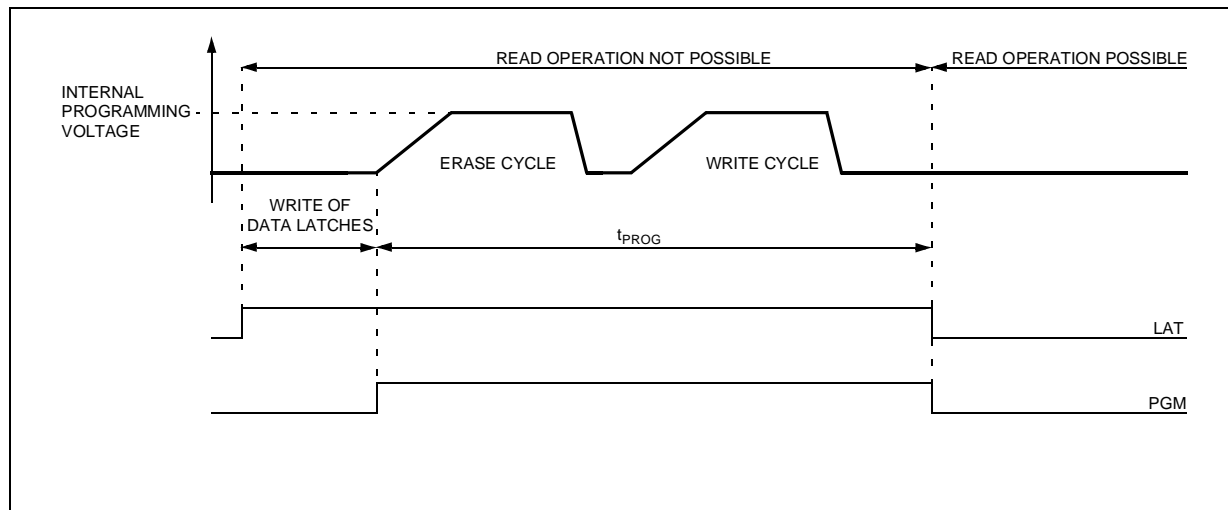
5.6 Data EEPROM Read-out Protection

The read-out protection is enabled through an option bit (see section 15.1 on page 123).

When this option is selected, the programs and data stored in the EEPROM memory are protected against read-out piracy (including a re-write protection). In Flash devices, when this protection is removed by reprogramming the Option Byte, the entire Program memory and EEPROM is first automatically erased.

**Note:** Both Program Memory and data EEPROM are protected using the same option bit.

Figure 9. Data EEPROM Programming Cycle



## DATA EEPROM (Cont'd)

## 5.7 REGISTER DESCRIPTION

## EEPROM CONTROL/STATUS REGISTER (EECSR)

Read/Write

Reset Value: 0000 0000 (00h)

|   |   |   |   |   |   |       |       |
|---|---|---|---|---|---|-------|-------|
| 7 |   |   |   |   |   |       | 0     |
| 0 | 0 | 0 | 0 | 0 | 0 | E2LAT | E2PGM |

Bits 7:2 = Reserved, forced by hardware to 0.

Bit 1 = **E2LAT** *Latch Access Transfer*

This bit is set by software. It is cleared by hardware at the end of the programming cycle. It can only be cleared by software if the E2PGM bit is cleared.

0: Read mode

1: Write mode

Bit 0 = **E2PGM** *Programming control and status*

This bit is set by software to begin the programming cycle. At the end of the programming cycle, this bit is cleared by hardware.

0: Programming finished or not yet started

1: Programming cycle is in progress

**Note:** if the E2PGM bit is cleared during the programming cycle, the memory data is not guaranteed

Table 3. DATA EEPROM Register Map and Reset Values

| Address (Hex.) | Register Label       | 7 | 6 | 5 | 4 | 3 | 2 | 1          | 0          |
|----------------|----------------------|---|---|---|---|---|---|------------|------------|
| 0030h          | EECSR<br>Reset Value | 0 | 0 | 0 | 0 | 0 | 0 | E2LAT<br>0 | E2PGM<br>0 |

## 6 CENTRAL PROCESSING UNIT

### 6.1 INTRODUCTION

This CPU has a full 8-bit architecture and contains six internal registers allowing efficient 8-bit data manipulation.

### 6.2 MAIN FEATURES

- 63 basic instructions
- Fast 8-bit by 8-bit multiply
- 17 main addressing modes
- Two 8-bit index registers
- 16-bit stack pointer
- Low power modes
- Maskable hardware interrupts
- Non-maskable software interrupt

### 6.3 CPU REGISTERS

The 6 CPU registers shown in [Figure 10](#) are not present in the memory mapping and are accessed by specific instructions.

#### Accumulator (A)

The Accumulator is an 8-bit general purpose register used to hold operands and the results of the arithmetic and logic calculations and to manipulate data.

#### Index Registers (X and Y)

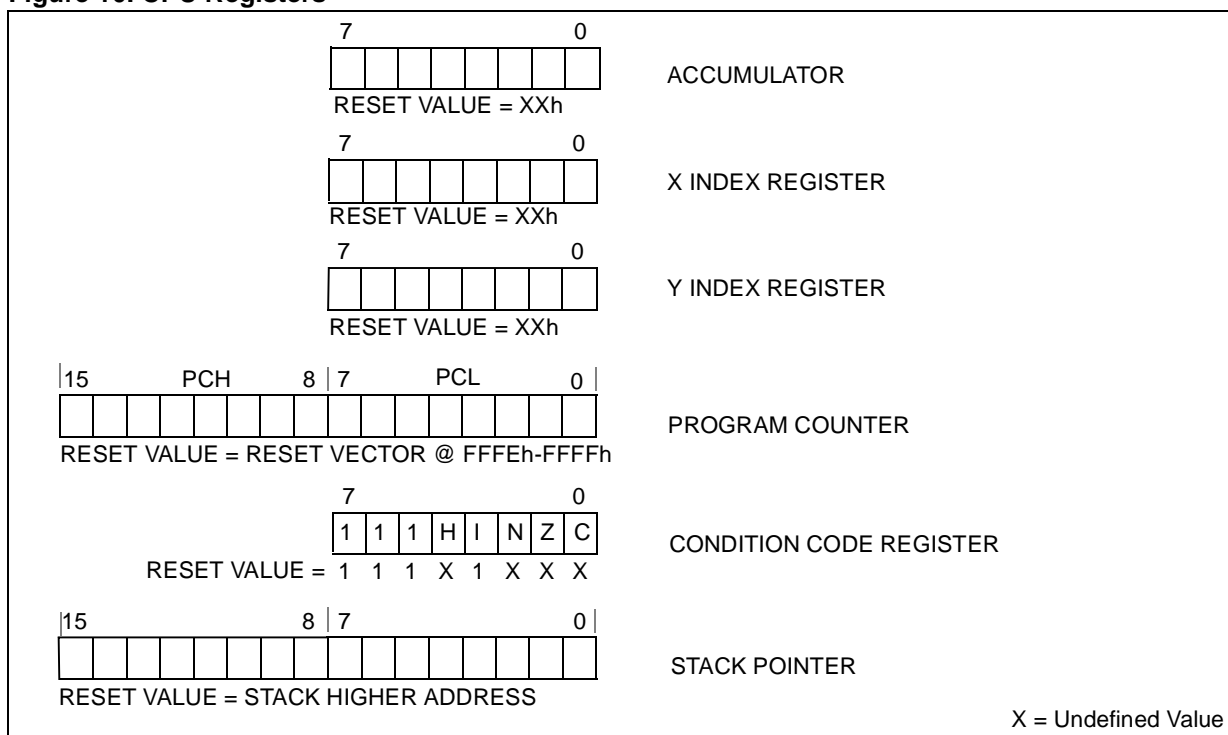
In indexed addressing modes, these 8-bit registers are used to create either effective addresses or temporary storage areas for data manipulation. (The Cross-Assembler generates a precede instruction (PRE) to indicate that the following instruction refers to the Y register.)

The Y register is not affected by the interrupt automatic procedures (not pushed to and popped from the stack).

#### Program Counter (PC)

The program counter is a 16-bit register containing the address of the next instruction to be executed by the CPU. It is made of two 8-bit registers PCH (Program Counter Low which is the LSB) and PCH (Program Counter High which is the MSB).

Figure 10. CPU Registers



**CPU REGISTERS** (Cont'd)**CONDITION CODE REGISTER (CC)**

Read/Write

Reset Value: 111x1xxx

|   |   |   |   |   |   |   |   |
|---|---|---|---|---|---|---|---|
| 7 |   |   |   |   |   |   | 0 |
| 1 | 1 | 1 | H | I | N | Z | C |

The 8-bit Condition Code register contains the interrupt mask and four flags representative of the result of the instruction just executed. This register can also be handled by the PUSH and POP instructions.

These bits can be individually tested and/or controlled by specific instructions.

**Bit 4 = H Half carry.**

This bit is set by hardware when a carry occurs between bits 3 and 4 of the ALU during an ADD or ADC instruction. It is reset by hardware during the same instructions.

0: No half carry has occurred.

1: A half carry has occurred.

This bit is tested using the JRH or JRNH instruction. The H bit is useful in BCD arithmetic subroutines.

**Bit 3 = I Interrupt mask.**

This bit is set by hardware when entering in interrupt or by software to disable all interrupts except the TRAP software interrupt. This bit is cleared by software.

0: Interrupts are enabled.

1: Interrupts are disabled.

This bit is controlled by the RIM, SIM and IRET instructions and is tested by the JRM and JRNM instructions.

**Note:** Interrupts requested while I is set are latched and can be processed when I is cleared. By default an interrupt routine is not interruptable

because the I bit is set by hardware at the start of the routine and reset by the IRET instruction at the end of the routine. If the I bit is cleared by software in the interrupt routine, pending interrupts are serviced regardless of the priority level of the current interrupt routine.

**Bit 2 = N Negative.**

This bit is set and cleared by hardware. It is representative of the result sign of the last arithmetic, logical or data manipulation. It is a copy of the 7<sup>th</sup> bit of the result.

0: The result of the last operation is positive or null.

1: The result of the last operation is negative (i.e. the most significant bit is a logic 1).

This bit is accessed by the JRMI and JRPL instructions.

**Bit 1 = Z Zero.**

This bit is set and cleared by hardware. This bit indicates that the result of the last arithmetic, logical or data manipulation is zero.

0: The result of the last operation is different from zero.

1: The result of the last operation is zero.

This bit is accessed by the JREQ and JRNE test instructions.

**Bit 0 = C Carry/borrow.**

This bit is set and cleared by hardware and software. It indicates an overflow or an underflow has occurred during the last arithmetic operation.

0: No overflow or underflow has occurred.

1: An overflow or underflow has occurred.

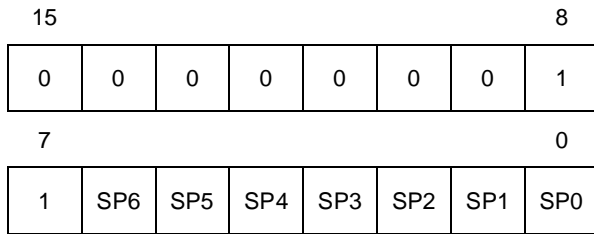
This bit is driven by the SCF and RCF instructions and tested by the JRC and JRNC instructions. It is also affected by the "bit test and branch", shift and rotate instructions.

**CPU REGISTERS (Cont'd)**

**STACK POINTER (SP)**

Read/Write

Reset Value: 01FFh



The Stack Pointer is a 16-bit register which is always pointing to the next free location in the stack. It is then decremented after data has been pushed onto the stack and incremented before data is popped from the stack (see Figure 11).

Since the stack is 128 bytes deep, the 9 most significant bits are forced by hardware. Following an MCU Reset, or after a Reset Stack Pointer instruction (RSP), the Stack Pointer contains its reset value (the SP6 to SP0 bits are set) which is the stack higher address.

The least significant byte of the Stack Pointer (called S) can be directly accessed by a LD instruction.

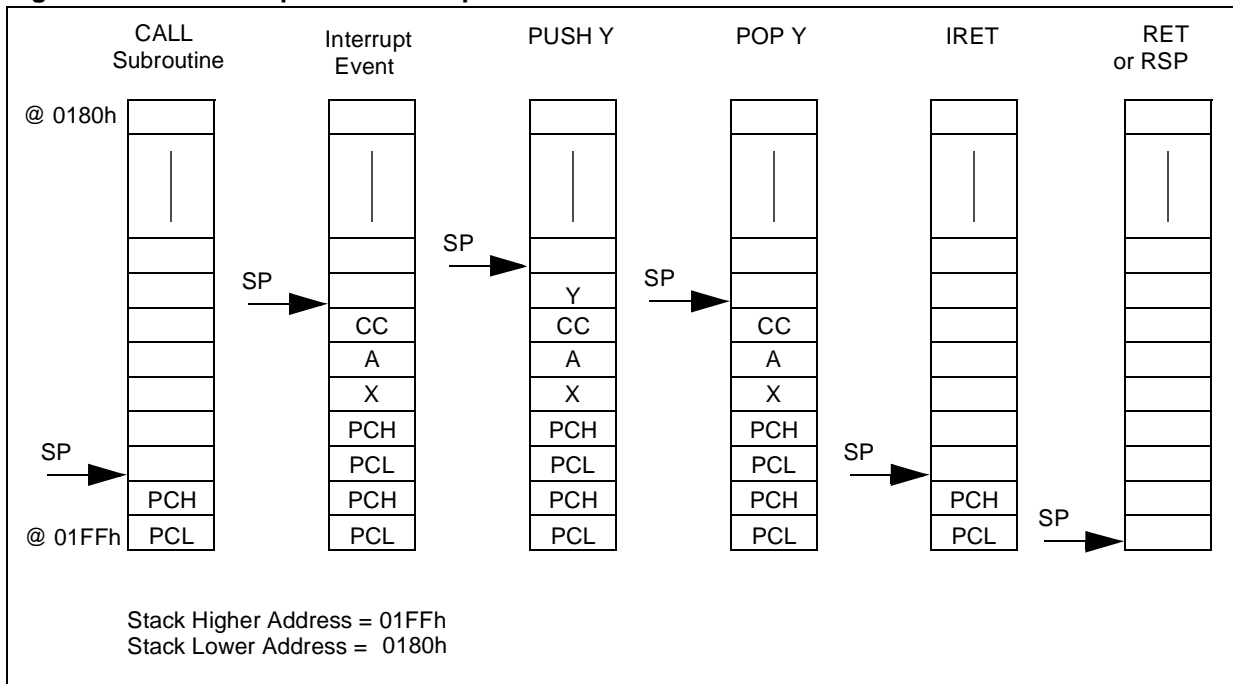
**Note:** When the lower limit is exceeded, the Stack Pointer wraps around to the stack upper limit, without indicating the stack overflow. The previously stored information is then overwritten and therefore lost. The stack also wraps in case of an underflow.

The stack is used to save the return address during a subroutine call and the CPU context during an interrupt. The user may also directly manipulate the stack by means of the PUSH and POP instructions. In the case of an interrupt, the PCL is stored at the first location pointed to by the SP. Then the other registers are stored in the next locations as shown in Figure 11.

- When an interrupt is received, the SP is decremented and the context is pushed on the stack.
- On return from interrupt, the SP is incremented and the context is popped from the stack.

A subroutine call occupies two locations and an interrupt five locations in the stack area.

**Figure 11. Stack Manipulation Example**



## 7 SUPPLY, RESET AND CLOCK MANAGEMENT

The device includes a range of utility features for securing the application in critical situations (for example in case of a power brown-out), and reducing the number of external components.

### Main features

- Clock Management
  - 1 MHz internal RC oscillator (enabled by option byte, available on ST7LITE15 and ST7LITE19 devices only)
  - 1 to 16 MHz or 32kHz External crystal/ceramic resonator (selected by option byte)
  - External Clock Input (enabled by option byte)
  - PLL for multiplying the frequency by 8 or 4 (enabled by option byte)
  - For clock ART counter only: PLL32 for multiplying the 8 MHz frequency by 4 (enabled by option byte). The 8 MHz input frequency is mandatory and can be obtained in the following ways:
    - 1 MHz RC + PLLx8
    - 16 MHz external clock (internally divided by 2)
    - 2 MHz. external clock (internally divided by 2) + PLLx8
    - Crystal oscillator with 16 MHz output frequency (internally divided by 2)
- Reset Sequence Manager (RSM)
- System Integrity Management (SI)
  - Main supply Low voltage detection (LVD) with reset generation (enabled by option byte)
  - Auxiliary Voltage detector (AVD) with interrupt capability for monitoring the main supply (enabled by option byte)

### 7.1 INTERNAL RC OSCILLATOR ADJUSTMENT

The device contains an internal RC oscillator with an accuracy of 1% for a given device, temperature and voltage range (4.5V-5.5V). It must be calibrated to obtain the frequency required in the application. This is done by software writing a calibration value in the RCCR (RC Control Register).

Whenever the microcontroller is reset, the RCCR returns to its default value (FFh), i.e. each time the device is reset, the calibration value must be loaded in the RCCR. Predefined calibration values are stored in EEPROM for 3 and 5V  $V_{DD}$  supply voltages at 25°C, as shown in the following table.

| RCCR  | Conditions  | ST7LITE19 Address  | ST7LITE15 Address |
|-------|---|--------------------|-------------------|
| RCCR0 | $V_{DD}=5V$<br>$T_A=25^{\circ}C$<br>$f_{RC}=1MHz$   | 1000h<br>and FFDEh | FFDEh             |
| RCCR1 | $V_{DD}=3V$<br>$T_A=25^{\circ}C$<br>$f_{RC}=700KHz$ | 1001h<br>and FFDFh | FFDFh             |

#### Note:

- See “ELECTRICAL CHARACTERISTICS” on page 91. for more information on the frequency and accuracy of the RC oscillator.
- To improve clock stability, it is recommended to place a decoupling capacitor between the  $V_{DD}$  and  $V_{SS}$  pins.
- These two bytes are systematically programmed by ST, including on FASTROM devices. Consequently, customers intending to use FASTROM service must not use these two bytes.
- RCCR0 and RCCR1 calibration values will be erased if the read-out protection bit is reset after it has been set. See “Read out Protection” on page 14.

**Caution:** If the voltage or temperature conditions change in the application, the frequency may need to be recalibrated.

Refer to application note AN1324 for information on how to calibrate the RC frequency using an external reference signal.

### 7.2 PHASE LOCKED LOOP

The PLL can be used to multiply a 1MHz frequency from the RC oscillator or the external clock by 4 or 8 to obtain  $f_{OSC}$  of 4 or 8 MHz. The PLL is enabled and the multiplication factor of 4 or 8 is selected by 2 option bits.

- The x4 PLL is intended for operation with  $V_{DD}$  in the 2.4V to 3.3V range
- The x8 PLL is intended for operation with  $V_{DD}$  in the 3.3V to 5.5V range

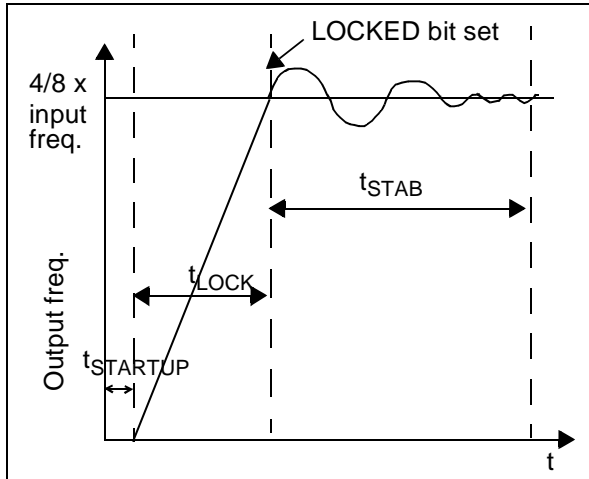
Refer to [Section 15.1](#) for the option byte description.

If the PLL is disabled and the RC oscillator is enabled, then  $f_{OSC} = 1MHz$ .

If both the RC oscillator and the PLL are disabled,  $f_{OSC}$  is driven by the external clock.

PHASE LOCKED LOOP (Cont'd)

Figure 12. PLL Output Frequency Timing Diagram



When the PLL is started, after reset or wakeup from Halt mode or AWUFH mode, it outputs the clock after a delay of  $t_{STARTUP}$ .

When the PLL output signal reaches the operating frequency, the LOCKED bit in the SICSCR register is set. Full PLL accuracy ( $ACC_{PLL}$ ) is reached after a stabilization time of  $t_{STAB}$  (see Figure 12 and 13.3.4 Internal RC Oscillator and PLL)

Refer to section 7.6.4 on page 33 for a description of the LOCKED bit in the SICSCR register.

7.3 REGISTER DESCRIPTION

MAIN CLOCK CONTROL/STATUS REGISTER (MCCSR)

Read / Write  
Reset Value: 0000 0000 (00h)

|   |   |   |   |   |   |     |     |
|---|---|---|---|---|---|-----|-----|
| 7 |   |   |   |   |   |     | 0   |
| 0 | 0 | 0 | 0 | 0 | 0 | MCO | SMS |

Bits 7:2 = Reserved, must be kept cleared.

Bit 1 = MCO Main Clock Out enable

This bit is read/write by software and cleared by hardware after a reset. This bit allows to enable the MCO output clock.

0: MCO clock disabled, I/O port free for general purpose I/O.

1: MCO clock enabled.

Bit 0 = SMS Slow Mode select

This bit is read/write by software and cleared by hardware after a reset. This bit selects the input clock  $f_{OSC}$  or  $f_{OSC}/32$ .

0: Normal mode ( $f_{CPU} = f_{OSC}$ )

1: Slow mode ( $f_{CPU} = f_{OSC}/32$ )

RC CONTROL REGISTER (RCCR)

Read / Write  
Reset Value: 1111 1111 (FFh)

|      |      |      |      |      |      |      |     |
|------|------|------|------|------|------|------|-----|
| 7    |      |      |      |      |      |      | 0   |
| CR70 | CR60 | CR50 | CR40 | CR30 | CR20 | CR10 | CR0 |

Bits 7:0 = CR[7:0] RC Oscillator Frequency Adjustment Bits

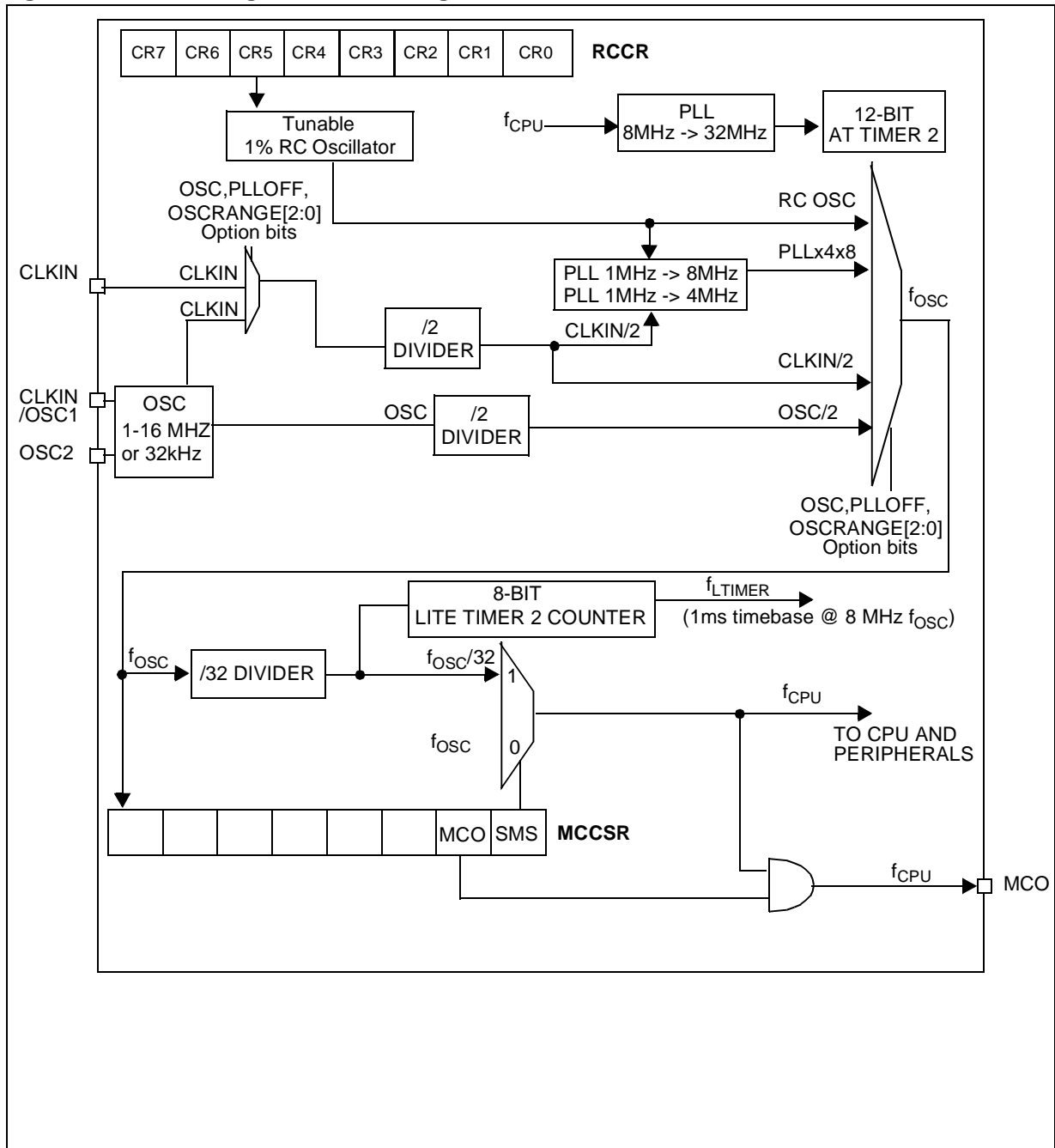
These bits must be written immediately after reset to adjust the RC oscillator frequency and to obtain an accuracy of 1%. The application can store the correct value for each voltage range in EEPROM and write it to this register at start-up.

00h = maximum available frequency

FFh = lowest available frequency

**Note:** To tune the oscillator, write a series of different values in the register until the correct frequency is reached. The fastest method is to use a dichotomy starting with 80h.

Figure 13. Clock Management Block Diagram



### 7.4 MULTI-OSCILLATOR (MO)

The main clock of the ST7 can be generated by four different source types coming from the multi-oscillator block (1 to 16MHz or 32kHz):

- an external source
- 5 crystal or ceramic resonator oscillators
- an internal high frequency RC oscillator

Each oscillator is optimized for a given frequency range in terms of consumption and is selectable through the option byte. The associated hardware configurations are shown in Table 4. Refer to the electrical characteristics section for more details.

#### External Clock Source

In this external clock mode, a clock signal (square, sinus or triangle) with ~50% duty cycle has to drive the OSC1 pin while the OSC2 pin is tied to ground.

**Note:** when the Multi-Oscillator is not used, PB4 is selected by default as external clock.

#### Crystal/Ceramic Oscillators

This family of oscillators has the advantage of producing a very accurate rate on the main clock of the ST7. The selection within a list of 4 oscillators with different frequency ranges has to be done by option byte in order to reduce consumption (refer to section 15.1 on page 123 for more details on the frequency ranges). In this mode of the multi-oscillator, the resonator and the load capacitors have to be placed as close as possible to the oscillator pins in order to minimize output distortion and start-up stabilization time. The loading capacitance values must be adjusted according to the selected oscillator.

These oscillators are not stopped during the RESET phase to avoid losing time in the oscillator start-up phase.

#### Internal RC Oscillator

In this mode, the tunable 1%RC oscillator is used as main clock source. The two oscillator pins have to be tied to ground.

Table 4. ST7 Clock Sources

| Hardware Configuration     |  |
|----------------------------|--|
| External Clock             |  |
| Crystal/Ceramic Resonators |  |
| Internal RC Oscillator     |  |

## 7.5 RESET SEQUENCE MANAGER (RSM)

### 7.5.1 Introduction

The reset sequence manager includes three RESET sources as shown in Figure 15:

- External  $\overline{\text{RESET}}$  source pulse
- Internal LVD RESET (Low Voltage Detection)
- Internal WATCHDOG RESET

These sources act on the  $\overline{\text{RESET}}$  pin and it is always kept low during the delay phase.

The RESET service routine vector is fixed at addresses FFFEh-FFFFh in the ST7 memory map.

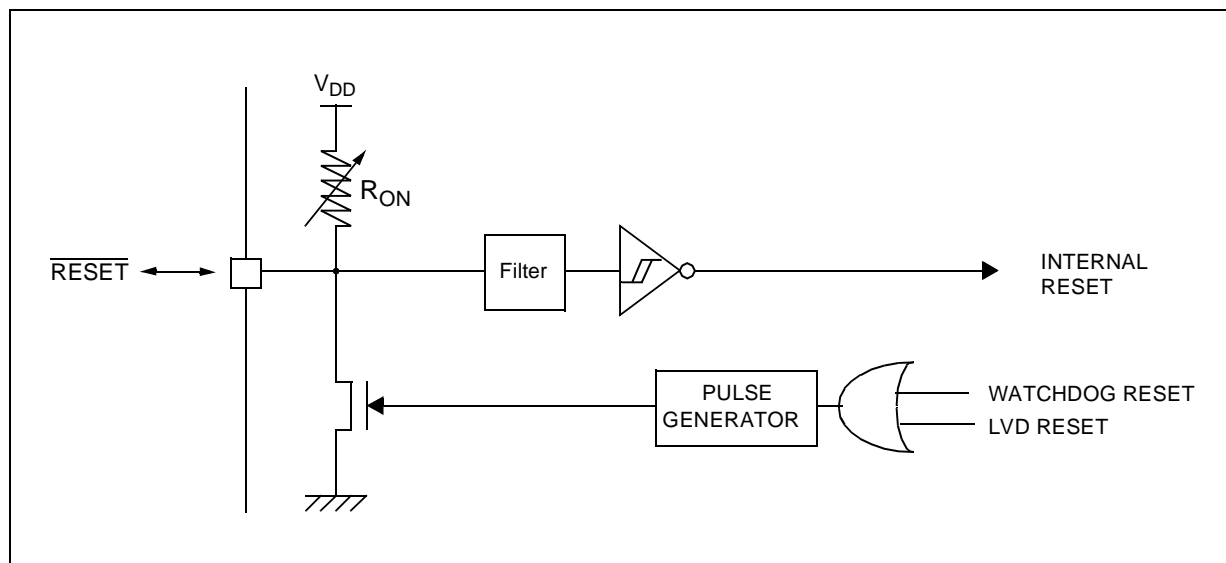
The basic RESET sequence consists of 3 phases as shown in Figure 14:

- Active Phase depending on the RESET source
- 256 or 4096 CPU clock cycle delay (see table below)
- RESET vector fetch

The 256 or 4096 CPU clock cycle delay allows the oscillator to stabilise and ensures that recovery has taken place from the Reset state. The shorter or longer clock cycle delay is automatically selected depending on the clock source chosen by option byte:

| Clock Source  | CPU clock cycle delay |
|---|-----------------------|
| Internal RC Oscillator  | 256                   |
| External clock (connected to CLKIN pin)                           | 256                   |
| External Crystal/Ceramic Oscillator (connected to OSC1/OSC2 pins) | 4096                  |

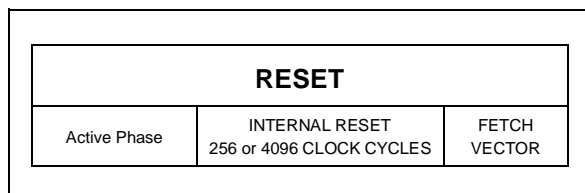
Figure 15. Reset Block Diagram



The RESET vector fetch phase duration is 2 clock cycles.

If the PLL is enabled by option byte, it outputs the clock after an additional delay of  $t_{\text{STARTUP}}$  (see Figure 12).

Figure 14. RESET Sequence Phases



### 7.5.2 Asynchronous External $\overline{\text{RESET}}$ pin

The  $\overline{\text{RESET}}$  pin is both an input and an open-drain output with integrated  $R_{\text{ON}}$  weak pull-up resistor. This pull-up has no fixed value but varies in accordance with the input voltage. It can be pulled low by external circuitry to reset the device. See Electrical Characteristic section for more details.

A RESET signal originating from an external source must have a duration of at least  $t_{\text{h(RSTL)}}_{\text{in}}$  in order to be recognized (see Figure 16). This detection is asynchronous and therefore the MCU can enter reset state even in HALT mode.

**RESET SEQUENCE MANAGER (Cont'd)**

The  $\overline{\text{RESET}}$  pin is an asynchronous signal which plays a major role in EMS performance. In a noisy environment, it is recommended to follow the guidelines mentioned in the electrical characteristics section.

**7.5.3 External Power-On RESET**

If the LVD is disabled by option byte, to start up the microcontroller correctly, the user must ensure by means of an external reset circuit that the reset signal is held low until  $V_{DD}$  is over the minimum level specified for the selected  $f_{OSC}$  frequency.

A proper reset signal for a slow rising  $V_{DD}$  supply can generally be provided by an external RC network connected to the  $\overline{\text{RESET}}$  pin.

**7.5.4 Internal Low Voltage Detector (LVD) RESET**

Two different  $\overline{\text{RESET}}$  sequences caused by the internal LVD circuitry can be distinguished:

- Power-On RESET
- Voltage Drop RESET

The device  $\overline{\text{RESET}}$  pin acts as an output that is pulled low when  $V_{DD} < V_{IT+}$  (rising edge) or  $V_{DD} < V_{IT-}$  (falling edge) as shown in Figure 16.

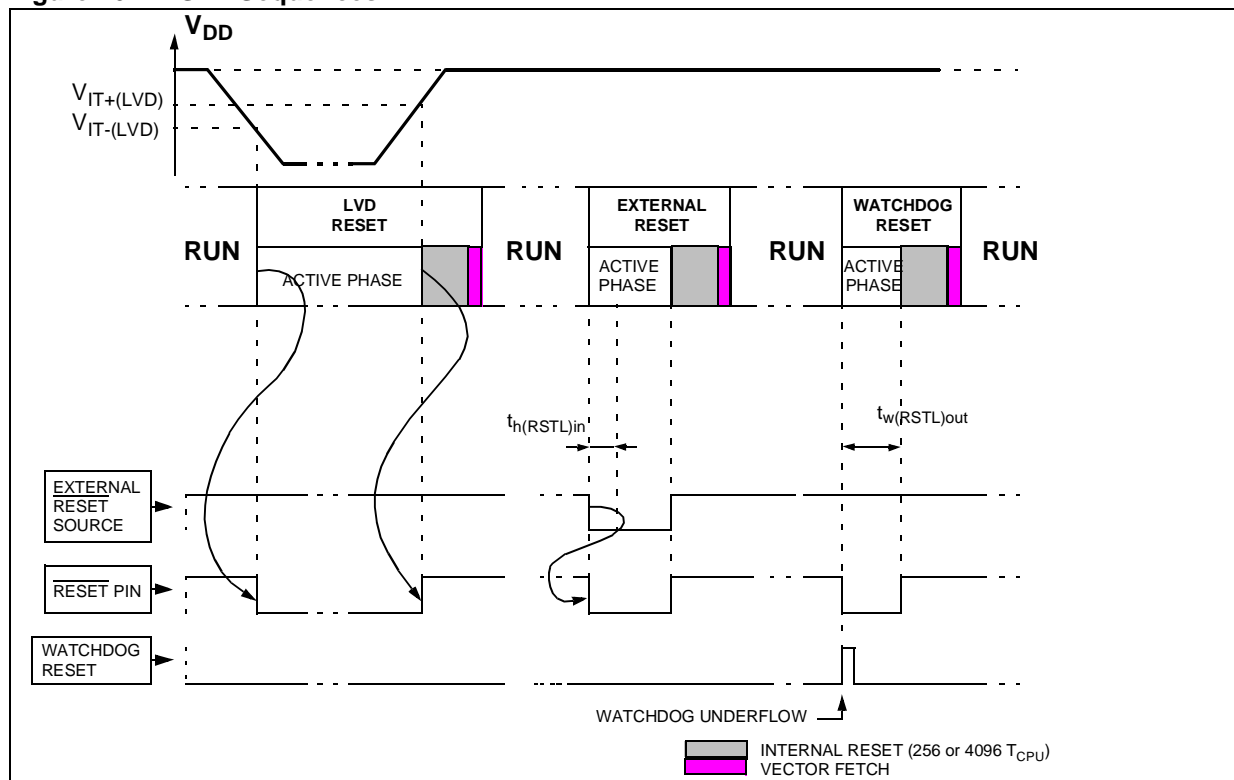
The LVD filters spikes on  $V_{DD}$  larger than  $t_{g(VDD)}$  to avoid parasitic resets.

**7.5.5 Internal Watchdog RESET**

The  $\overline{\text{RESET}}$  sequence generated by a internal Watchdog counter overflow is shown in Figure 16.

Starting from the Watchdog counter underflow, the device  $\overline{\text{RESET}}$  pin acts as an output that is pulled low during at least  $t_{w(RSTL)out}$ .

**Figure 16. RESET Sequences**



## 7.6 SYSTEM INTEGRITY MANAGEMENT (SI)

The System Integrity Management block contains the Low voltage Detector (LVD) and Auxiliary Voltage Detector (AVD) functions. It is managed by the SICSR register.

### 7.6.1 Low Voltage Detector (LVD)

The Low Voltage Detector function (LVD) generates a static reset when the  $V_{DD}$  supply voltage is below a  $V_{IT-(LVD)}$  reference value. This means that it secures the power-up as well as the power-down keeping the ST7 in reset.

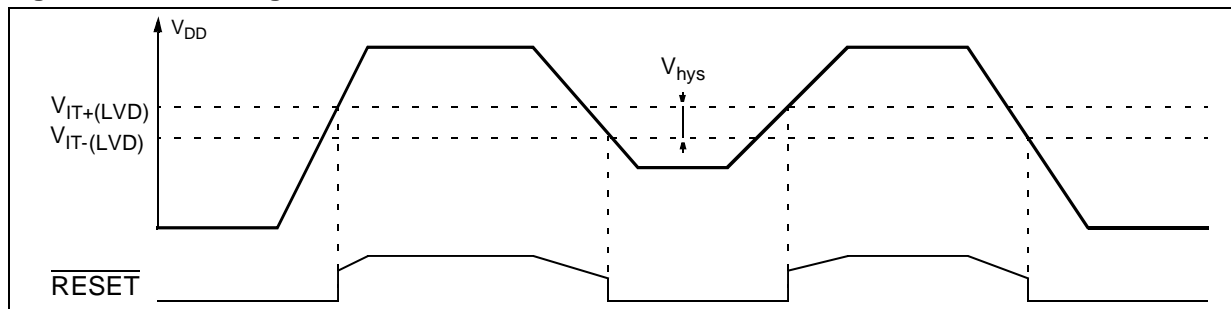
The  $V_{IT-(LVD)}$  reference value for a voltage drop is lower than the  $V_{IT+(LVD)}$  reference value for power-on in order to avoid a parasitic reset when the MCU starts running and sinks current on the supply (hysteresis).

The LVD Reset circuitry generates a reset when  $V_{DD}$  is below:

- $V_{IT+(LVD)}$  when  $V_{DD}$  is rising
- $V_{IT-(LVD)}$  when  $V_{DD}$  is falling

The LVD function is illustrated in [Figure 17](#).

**Figure 17. Low Voltage Detector vs Reset**



The voltage threshold can be configured by option byte to be low, medium or high.

Provided the minimum  $V_{DD}$  value (guaranteed for the oscillator frequency) is above  $V_{IT-(LVD)}$ , the MCU can only be in two modes:

- under full software control
- in static safe reset

In these conditions, secure operation is always ensured for the application without the need for external reset hardware.

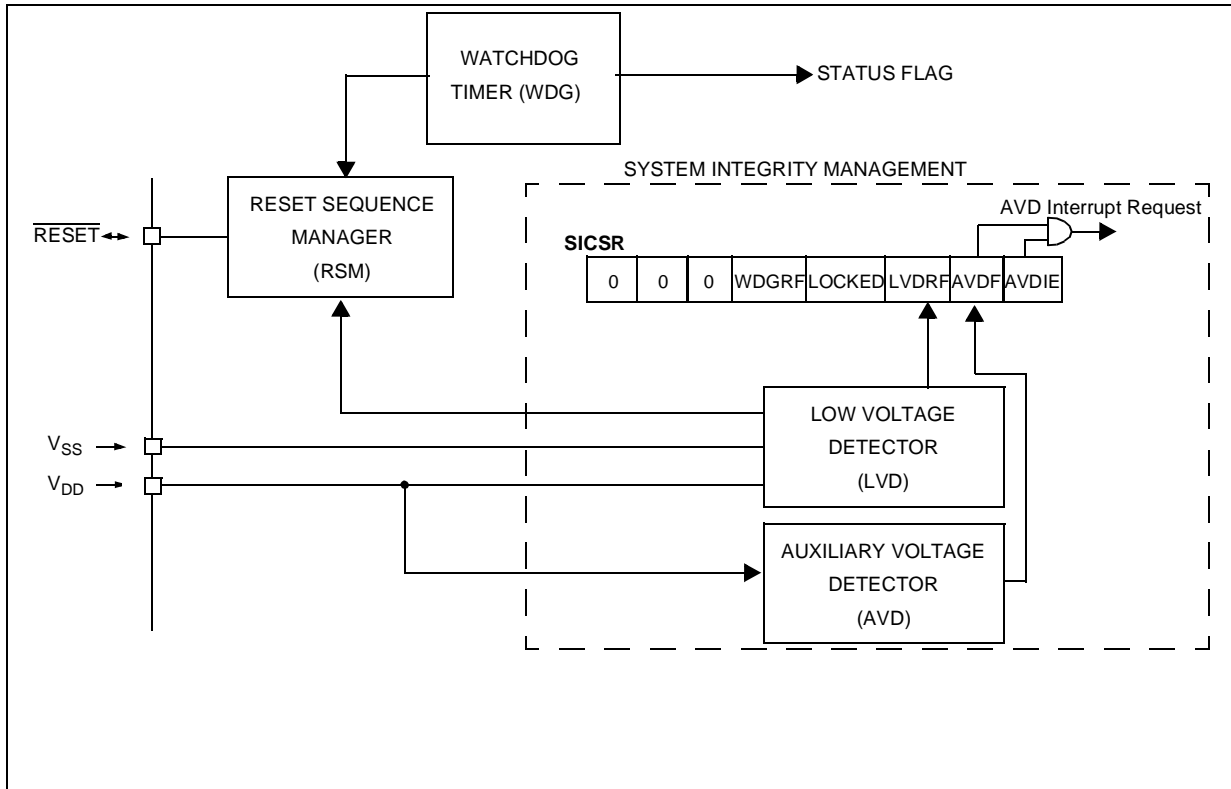
During a Low Voltage Detector Reset, the  $\overline{\text{RESET}}$  pin is held low, thus permitting the MCU to reset other devices.

#### Notes:

The LVD allows the device to be used without any external RESET circuitry.

The LVD is an optional function which can be selected by option byte.

Figure 18. Reset and Supply Management Block Diagram



## SYSTEM INTEGRITY MANAGEMENT (Cont'd)

### 7.6.2 Auxiliary Voltage Detector (AVD)

The Voltage Detector function (AVD) is based on an analog comparison between a  $V_{IT-(AVD)}$  and  $V_{IT+(AVD)}$  reference value and the  $V_{DD}$  main supply voltage ( $V_{AVD}$ ). The  $V_{IT-(AVD)}$  reference value for falling voltage is lower than the  $V_{IT+(AVD)}$  reference value for rising voltage in order to avoid parasitic detection (hysteresis).

The output of the AVD comparator is directly readable by the application software through a real time status bit (AVDF) in the SICSR register. This bit is read only.

**Caution:** The AVD functions only if the LVD is en-

abled through the option byte.

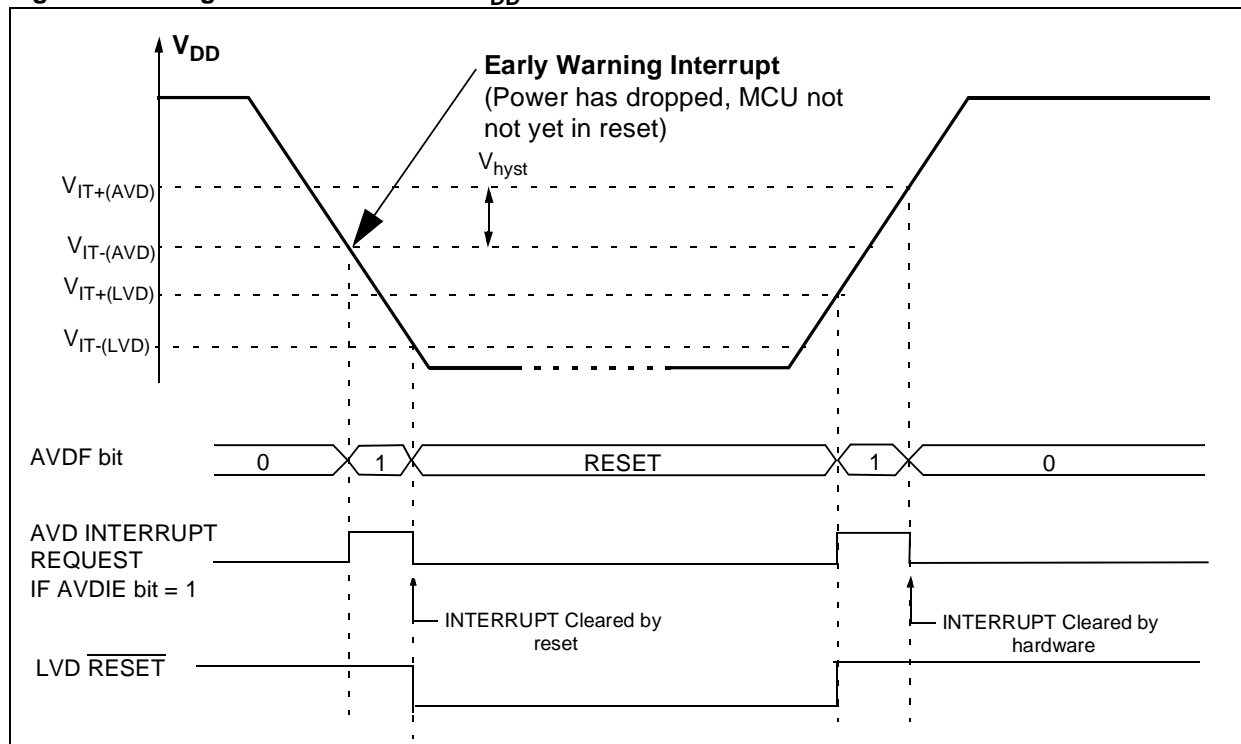
#### 7.6.2.1 Monitoring the $V_{DD}$ Main Supply

The AVD voltage threshold value is relative to the selected LVD threshold configured by option byte (see [section 15.1 on page 123](#)).

If the AVD interrupt is enabled, an interrupt is generated when the voltage crosses the  $V_{IT+(LVD)}$  or  $V_{IT-(AVD)}$  threshold (AVDF bit is set).

In the case of a drop in voltage, the AVD interrupt acts as an early warning, allowing software to shut down safely before the LVD resets the microcontroller. See [Figure 19](#).

**Figure 19. Using the AVD to Monitor  $V_{DD}$**



**SYSTEM INTEGRITY MANAGEMENT (Cont'd)****7.6.3 Low Power Modes**

| Mode | Description  |
|------|--|
| WAIT | No effect on SI. AVD interrupts cause the device to exit from Wait mode. |
| HALT | The CRSR register is frozen.<br>The AVD remains active.                  |

set and the interrupt mask in the CC register is reset (RIM instruction).

| Interrupt Event | Event Flag | Enable Control Bit | Exit from Wait | Exit from Halt |
|-----------------|------------|--------------------|----------------|----------------|
| AVD event       | AVDF       | AVDIE              | Yes            | No             |

**7.6.3.1 Interrupts**

The AVD interrupt event generates an interrupt if the corresponding Enable Control Bit (AVDIE) is

**SYSTEM INTEGRITY MANAGEMENT (Cont'd)****7.6.4 Register Description****SYSTEM INTEGRITY (SI) CONTROL/STATUS REGISTER (SICSR)**

Read/Write

Reset Value: 0000 0xx0 (0xh)

|   |   |   |           |        |       |      |       |
|---|---|---|-----------|--------|-------|------|-------|
| 7 |   |   |           |        |       |      | 0     |
| 0 | 0 | 0 | WDG<br>RF | LOCKED | LVDRF | AVDF | AVDIE |

Bit 7:5 = Reserved, must be kept cleared.

**Bit 4 = WDGRF Watchdog reset flag**

This bit indicates that the last Reset was generated by the Watchdog peripheral. It is set by hardware (watchdog reset) and cleared by software (writing zero) or an LVD Reset (to ensure a stable cleared state of the WDGRF flag when CPU starts).

Combined with the LVDRF flag information, the flag description is given by the following table.

| RESET Sources      | LVDRF | WDGRF |
|--------------------|-------|-------|
| External RESET pin | 0     | 0     |
| Watchdog           | 0     | 1     |
| LVD                | 1     | X     |

**Bit 3 = LOCKED PLL Locked Flag**

This bit is set and cleared by hardware. It is set automatically when the PLL reaches its operating frequency.

0: PLL not locked

1: PLL locked

**Bit 2 = LVDRF LVD reset flag**

This bit indicates that the last Reset was generated by the LVD block. It is set by hardware (LVD reset) and cleared by software (by reading). When the LVD is disabled by OPTION BYTE, the LVDRF bit value is undefined.

**Bit 1 = AVDF Voltage Detector flag**

This read-only bit is set and cleared by hardware. If the AVDIE bit is set, an interrupt request is generated when the AVDF bit is set. Refer to [Figure 19](#) and to [Section 7.6.2.1](#) for additional details.

0:  $V_{DD}$  over AVD threshold1:  $V_{DD}$  under AVD threshold**Bit 0 = AVDIE Voltage Detector interrupt enable**

This bit is set and cleared by software. It enables an interrupt to be generated when the AVDF flag is set. The pending interrupt information is automatically cleared when software enters the AVD interrupt routine.

0: AVD interrupt disabled

1: AVD interrupt enabled

**Application notes**

The LVDRF flag is not cleared when another RESET type occurs (external or watchdog), the LVDRF flag remains set to keep trace of the original failure.

In this case, a watchdog reset can be detected by software while an external reset can not.

## 8 INTERRUPTS

The ST7 core may be interrupted by one of two different methods: maskable hardware interrupts as listed in the Interrupt Mapping Table and a non-maskable software interrupt (TRAP). The Interrupt processing flowchart is shown in [Figure 20](#).

The maskable interrupts must be enabled by clearing the I bit in order to be serviced. However, disabled interrupts may be latched and processed when they are enabled (see external interrupts subsection).

**Note:** After reset, all interrupts are disabled.

When an interrupt has to be serviced:

- Normal processing is suspended at the end of the current instruction execution.
- The PC, X, A and CC registers are saved onto the stack.
- The I bit of the CC register is set to prevent additional interrupts.
- The PC is then loaded with the interrupt vector of the interrupt to service and the first instruction of the interrupt service routine is fetched (refer to the Interrupt Mapping Table for vector addresses).

The interrupt service routine should finish with the IRET instruction which causes the contents of the saved registers to be recovered from the stack.

**Note:** As a consequence of the IRET instruction, the I bit will be cleared and the main program will resume.

### Priority Management

By default, a servicing interrupt cannot be interrupted because the I bit is set by hardware entering in interrupt routine.

In the case when several interrupts are simultaneously pending, an hardware priority defines which one will be serviced first (see the Interrupt Mapping Table).

### Interrupts and Low Power Mode

All interrupts allow the processor to leave the WAIT low power mode. Only external and specifically mentioned interrupts allow the processor to leave the HALT low power mode (refer to the “Exit from HALT” column in the Interrupt Mapping Table).

#### 8.1 NON MASKABLE SOFTWARE INTERRUPT

This interrupt is entered when the TRAP instruction is executed regardless of the state of the I bit.

It will be serviced according to the flowchart on [Figure 20](#).

#### 8.2 EXTERNAL INTERRUPTS

External interrupt vectors can be loaded into the PC register if the corresponding external interrupt occurred and if the I bit is cleared. These interrupts allow the processor to leave the Halt low power mode.

The external interrupt polarity is selected through the miscellaneous register or interrupt register (if available).

An external interrupt triggered on edge will be latched and the interrupt request automatically cleared upon entering the interrupt service routine.

If several input pins, connected to the same interrupt vector, are configured as interrupts, their signals are logically NANDed before entering the edge/level detection block.

**Caution:** The type of sensitivity defined in the Miscellaneous or Interrupt register (if available) applies to the ei source. In case of a NANDed source (as described on the I/O ports section), a low level on an I/O pin configured as input with interrupt, masks the interrupt request even in case of rising-edge sensitivity.

#### 8.3 PERIPHERAL INTERRUPTS

Different peripheral interrupt flags in the status register are able to cause an interrupt when they are active if both:

- The I bit of the CC register is cleared.
- The corresponding enable bit is set in the control register.

If any of these two conditions is false, the interrupt is latched and thus remains pending.

Clearing an interrupt request is done by:

- Writing “0” to the corresponding bit in the status register or
- Access to the status register while the flag is set followed by a read or write of an associated register.

**Note:** the clearing sequence resets the internal latch. A pending interrupt (i.e. waiting for being enabled) will therefore be lost if the clear sequence is executed.

## INTERRUPTS (Cont'd)

Figure 20. Interrupt Processing Flowchart

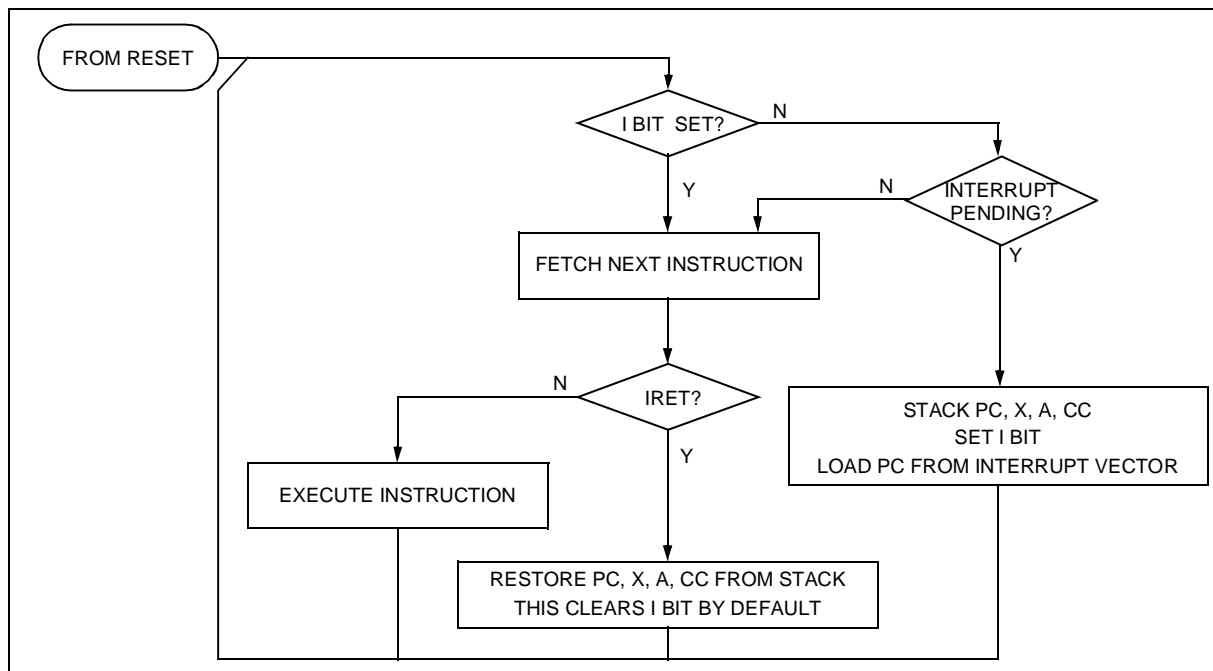


Table 5. Interrupt Mapping

| N° | Source Block | Description  | Register Label   | Priority Order                           | Exit from HALT or AWUFH | Exit from ACTIVE -HALT | Address Vector |
|----|--------------|--|------------------|--|-------------------------|------------------------|----------------|
|    | RESET        | Reset  | N/A              | Highest Priority<br>↓<br>Lowest Priority | yes                     | yes                    | FFFEh-FFFFh    |
|    | TRAP         | Software Interrupt   | N/A              |  | no                      | no                     | FFFCh-FFFDh    |
| 0  | AWU          | Auto Wake Up Interrupt                                       | AWUCSR           |  | yes <sup>1)</sup>       |                        | FFFAh-FFFBh    |
| 1  | ei0          | External Interrupt 0   | N/A              |  | yes                     | no                     | FFF8h-FFF9h    |
| 2  | ei1          | External Interrupt 1   |                  |  |                         |                        | FFF6h-FFF7h    |
| 3  | ei2          | External Interrupt 2   |                  |  |                         |                        | FFF4h-FFF5h    |
| 4  | ei3          | External Interrupt 3   |                  |  |                         |                        | FFF2h-FFF3h    |
| 5  | LITE TIMER   | LITE TIMER RTC2 interrupt                                    | LTCSR2           |  | no                      |                        | FFF0h-FFF1h    |
| 6  |              | Not used   |                  |  |                         |                        | FFEEh-FFEFh    |
| 7  | SI           | AVD interrupt  | SICSR            |  |                         |                        | FFECh-FFEDh    |
| 8  | AT TIMER     | AT TIMER Output Compare Interrupt or Input Capture Interrupt | PWMxCSR or ATCSR |  | no                      | no                     | FFEAh-FFEBh    |
| 9  |              | AT TIMER Overflow Interrupt                                  | ATCSR            |  |                         | yes                    | FFE8h-FFE9h    |
| 10 | LITE TIMER   | LITE TIMER Input Capture Interrupt                           | LTCSR            |  | no                      | no                     | FFE6h-FFE7h    |
| 11 |              | LITE TIMER RTC1 Interrupt                                    | LTCSR            | yes                                      |                         | FFE4h-FFE5h            |                |
| 12 | SPI          | SPI Peripheral Interrupts                                    | SPICSR           | yes                                      | no                      | FFE2h-FFE3h            |                |
| 13 |              | Not used   |                  |  |                         | FFE0h-FFE1h            |                |

**Note 1:** This interrupt exits the MCU from "Auto Wake-up from Halt" mode only.

**INTERRUPTS (Cont'd)**

**EXTERNAL INTERRUPT CONTROL REGISTER (EICR)**

Read/Write

Reset Value: 0000 0000 (00h)

|      |      |      |      |      |      |      |      |
|------|------|------|------|------|------|------|------|
| 7    |      |      |      |      |      |      | 0    |
| IS31 | IS30 | IS21 | IS20 | IS11 | IS10 | IS01 | IS00 |

Bit 7:6 = **IS3[1:0]** *ei3 sensitivity*  
 These bits define the interrupt sensitivity for ei3 (Port B0) according to [Table 6](#).

Bit 5:4 = **IS2[1:0]** *ei2 sensitivity*  
 These bits define the interrupt sensitivity for ei2 (Port B3) according to [Table 6](#).

Bit 3:2 = **IS1[1:0]** *ei1 sensitivity*  
 These bits define the interrupt sensitivity for ei1 (Port A7) according to [Table 6](#).

Bit 1:0 = **IS0[1:0]** *ei0 sensitivity*  
 These bits define the interrupt sensitivity for ei0 (Port A0) according to [Table 6](#).

**Note:** These 8 bits can be written only when the I bit in the CC register is set.

**Table 6. Interrupt Sensitivity Bits**

| ISx1 | ISx0 | External Interrupt Sensitivity |
|------|------|--------------------------------|
| 0    | 0    | Falling edge & low level       |
| 0    | 1    | Rising edge only               |
| 1    | 0    | Falling edge only              |
| 1    | 1    | Rising and falling edge        |

**EXTERNAL INTERRUPT SELECTION REGISTER (EISR)**

Read/Write

Reset Value: 0000 1100 (0Ch)

|      |      |      |      |      |      |      |      |
|------|------|------|------|------|------|------|------|
| 7    |      |      |      |      |      |      | 0    |
| ei31 | ei30 | ei21 | ei20 | ei11 | ei10 | ei01 | ei00 |

Bit 7:6 = **ei3[1:0]** *ei3 pin selection*  
 These bits are written by software. They select the Port B I/O pin used for the ei3 external interrupt according to the table below.

**External Interrupt I/O pin selection**

| ei31 | ei30 | I/O Pin |
|------|------|---------|
| 0    | 0    | PB0 *   |
| 0    | 1    | PB1     |
| 1    | 0    | PB2     |

\* Reset State

Bit 5:4 = **ei2[1:0]** *ei2 pin selection*  
 These bits are written by software. They select the Port B I/O pin used for the ei2 external interrupt according to the table below.

**External Interrupt I/O pin selection**

| ei21 | ei20 | I/O Pin |
|------|------|---------|
| 0    | 0    | PB3 *   |
| 0    | 1    | PB4     |
| 1    | 0    | PB5     |
| 1    | 1    | PB6     |

\* Reset State

**INTERRUPTS** (Cont'd)

Bit 3:2 = **ei1[1:0]** *ei1 pin selection*

These bits are written by software. They select the Port A I/O pin used for the ei1 external interrupt according to the table below.

**External Interrupt I/O pin selection**

| ei11 | ei10 | I/O Pin |
|------|------|---------|
| 0    | 0    | PA4     |
| 0    | 1    | PA5     |
| 1    | 0    | PA6     |
| 1    | 1    | PA7*    |

\* Reset State

Bit 1:0 = **ei0[1:0]** *ei0 pin selection*

These bits are written by software. They select the

Port A I/O pin used for the ei0 external interrupt according to the table below.

**External Interrupt I/O pin selection**

| ei01 | ei00 | I/O Pin |
|------|------|---------|
| 0    | 0    | PA0 *   |
| 0    | 1    | PA1     |
| 1    | 0    | PA2     |
| 1    | 1    | PA3     |

\* Reset State

Bits 1:0 = Reserved.

## 9 POWER SAVING MODES

### 9.1 INTRODUCTION

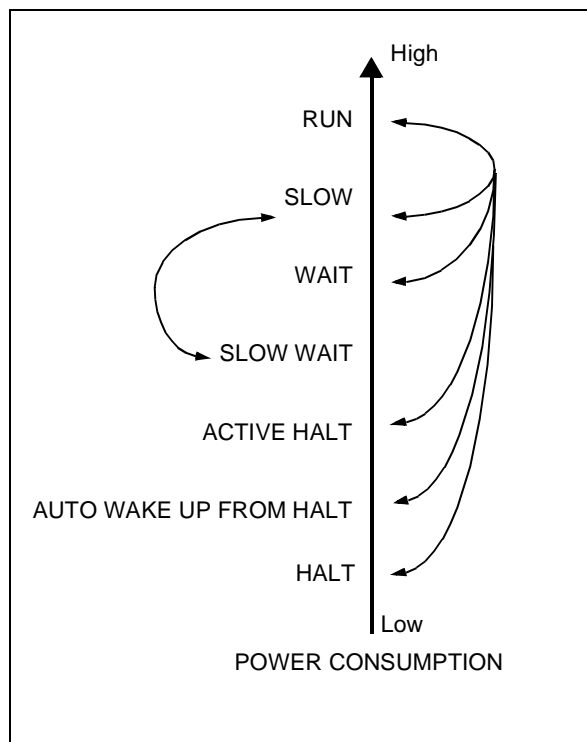
To give a large measure of flexibility to the application in terms of power consumption, five main power saving modes are implemented in the ST7 (see Figure 21):

- Slow
- Wait (and Slow-Wait)
- Active Halt
- Auto Wake up From Halt (AWUFH)
- Halt

After a RESET the normal operating mode is selected by default (RUN mode). This mode drives the device (CPU and embedded peripherals) by means of a master clock which is based on the main oscillator frequency divided or multiplied by 2 ( $f_{OSC2}$ ).

From RUN mode, the different power saving modes may be selected by setting the relevant register bits or by calling the specific ST7 software instruction whose action depends on the oscillator status.

Figure 21. Power Saving Mode Transitions



### 9.2 SLOW MODE

This mode has two targets:

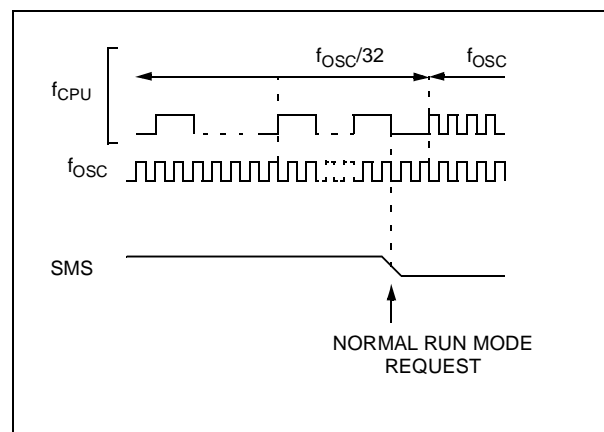
- To reduce power consumption by decreasing the internal clock in the device,
- To adapt the internal clock frequency ( $f_{CPU}$ ) to the available supply voltage.

SLOW mode is controlled by the SMS bit in the MCCSR register which enables or disables Slow mode.

In this mode, the oscillator frequency is divided by 32. The CPU and peripherals are clocked at this lower frequency.

**Note:** SLOW-WAIT mode is activated when entering WAIT mode while the device is already in SLOW mode.

Figure 22. SLOW Mode Clock Transition



## POWER SAVING MODES (Cont'd)

## 9.3 WAIT MODE

WAIT mode places the MCU in a low power consumption mode by stopping the CPU.

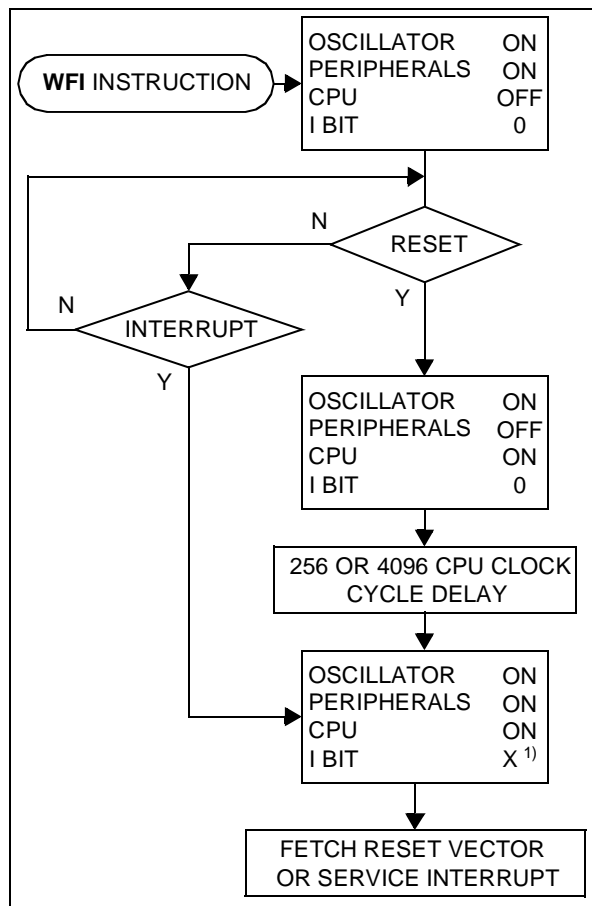
This power saving mode is selected by calling the 'WFI' instruction.

All peripherals remain active. During WAIT mode, the I bit of the CC register is cleared, to enable all interrupts. All other registers and memory remain unchanged. The MCU remains in WAIT mode until an interrupt or RESET occurs, whereupon the Program Counter branches to the starting address of the interrupt or Reset service routine.

The MCU will remain in WAIT mode until a Reset or an Interrupt occurs, causing it to wake up.

Refer to [Figure 23](#).

Figure 23. WAIT Mode Flow-chart

**Note:**

1. Before servicing an interrupt, the CC register is pushed on the stack. The I bit of the CC register is set during the interrupt routine and cleared when the CC register is popped.

POWER SAVING MODES (Cont'd)

9.4 HALT MODE

The HALT mode is the lowest power consumption mode of the MCU. It is entered by executing the 'HALT' instruction when ACTIVE-HALT is disabled (see section 9.5 on page 41 for more details) and when the AWUEN bit in the AWUCSR register is cleared.

The MCU can exit HALT mode on reception of either a specific interrupt (see Table 5, "Interrupt Mapping," on page 35) or a RESET. When exiting HALT mode by means of a RESET or an interrupt, the oscillator is immediately turned on and the 256 or 4096 CPU cycle delay is used to stabilize the oscillator. After the start up delay, the CPU resumes operation by servicing the interrupt or by fetching the reset vector which woke it up (see Figure 25).

When entering HALT mode, the I bit in the CC register is forced to 0 to enable interrupts. Therefore, if an interrupt is pending, the MCU wakes up immediately.

In HALT mode, the main oscillator is turned off causing all internal processing to be stopped, including the operation of the on-chip peripherals. All peripherals are not clocked except the ones which get their clock supply from another clock generator (such as an external or auxiliary oscillator).

The compatibility of Watchdog operation with HALT mode is configured by the "WDGHALT" option bit of the option byte. The HALT instruction when executed while the Watchdog system is enabled, can generate a Watchdog RESET (see section 15.1 on page 123 for more details).

Figure 24. HALT Timing Overview

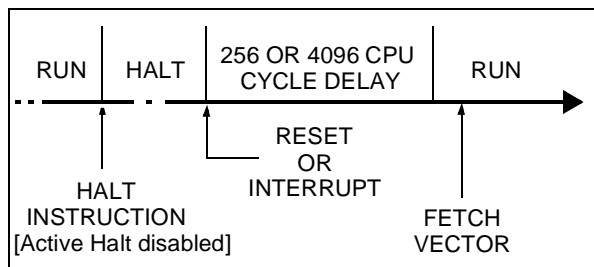
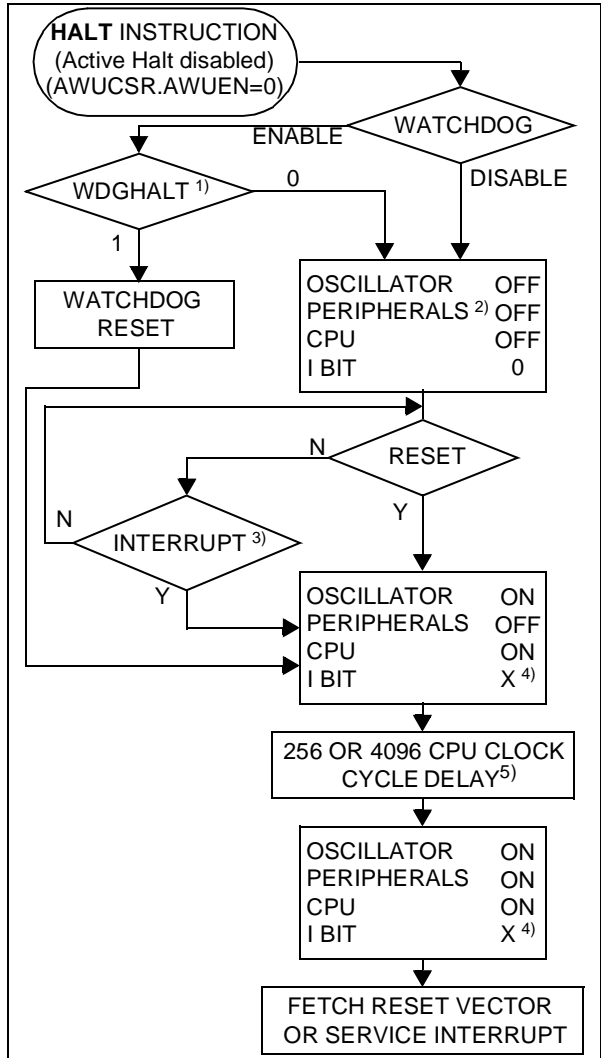


Figure 25. HALT Mode Flow-chart



Notes:

1. WDGHALT is an option bit. See option byte section for more details.
2. Peripheral clocked with an external clock source can still be active.
3. Only some specific interrupts can exit the MCU from HALT mode (such as external interrupt). Refer to Table 5 Interrupt Mapping for more details.
4. Before servicing an interrupt, the CC register is pushed on the stack. The I bit of the CC register is set during the interrupt routine and cleared when the CC register is popped.
5. If the PLL is enabled by option byte, it outputs the clock after a delay of t<sub>STARTUP</sub> (see Figure 12).

## POWER SAVING MODES (Cont'd)

### 9.4.1 Halt Mode Recommendations

- Make sure that an external event is available to wake up the microcontroller from Halt mode.
- When using an external interrupt to wake up the microcontroller, reinitialize the corresponding I/O as “Input Pull-up with Interrupt” before executing the HALT instruction. The main reason for this is that the I/O may be wrongly configured due to external interference or by an unforeseen logical condition.
- For the same reason, reinitialize the level sensitivity of each external interrupt as a precautionary measure.
- The opcode for the HALT instruction is 0x8E. To avoid an unexpected HALT instruction due to a program counter failure, it is advised to clear all occurrences of the data value 0x8E from memory. For example, avoid defining a constant in program memory with the value 0x8E.
- As the HALT instruction clears the interrupt mask in the CC register to allow interrupts, the user may choose to clear all pending interrupt bits before executing the HALT instruction. This avoids entering other peripheral interrupt routines after executing the external interrupt routine corresponding to the wake-up event (reset or external interrupt).

### 9.5 ACTIVE-HALT MODE

ACTIVE-HALT mode is the lowest power consumption mode of the MCU with a real time clock available. It is entered by executing the ‘HALT’ instruction. The decision to enter either in ACTIVE-HALT or HALT mode is given by the LTCSR/ATCSR register status as shown in the following table:

| LTCSR1<br>TB1IE bit | ATCSR<br>OVFIE<br>bit | ATCSR<br>CK1 bit | ATCSR<br>CK0 bit | Meaning                      |
|---------------------|-----------------------|------------------|------------------|------------------------------|
| 0                   | x                     | x                | 0                | ACTIVE-HALT<br>mode disabled |
| 0                   | 0                     | x                | x                |                              |
| 1                   | x                     | x                | x                | ACTIVE-HALT<br>mode enabled  |
| x                   | 1                     | 0                | 1                |                              |

The MCU can exit ACTIVE-HALT mode on reception of a specific interrupt (see Table 5, “Interrupt Mapping,” on page 35) or a RESET.

- When exiting ACTIVE-HALT mode by means of a RESET, a 256 or 4096 CPU cycle delay occurs. After the start up delay, the CPU resumes operation by fetching the reset vector which woke it up (see [Figure 27](#)).
- When exiting ACTIVE-HALT mode by means of an interrupt, the CPU immediately resumes operation by servicing the interrupt vector which woke it up (see [Figure 27](#)).

When entering ACTIVE-HALT mode, the I bit in the CC register is cleared to enable interrupts. Therefore, if an interrupt is pending, the MCU wakes up immediately (see Note 3).

In ACTIVE-HALT mode, only the main oscillator and the selected timer counter (LT/AT) are running to keep a wake-up time base. All other peripherals are not clocked except those which get their clock supply from another clock generator (such as external or auxiliary oscillator).

**Note:** As soon as ACTIVE-HALT is enabled, executing a HALT instruction while the Watchdog is active does not generate a RESET. This means that the device cannot spend more than a defined delay in this power saving mode.

POWER SAVING MODES (Cont'd)

Figure 26. ACTIVE-HALT Timing Overview

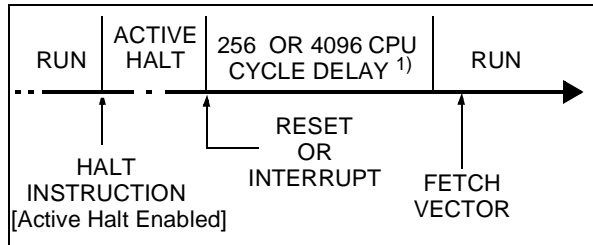
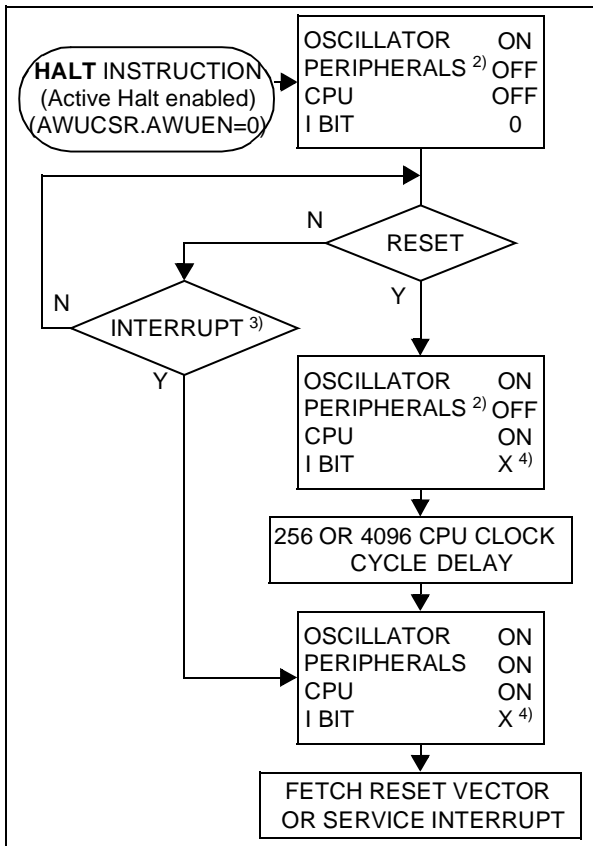


Figure 27. ACTIVE-HALT Mode Flow-chart



Notes:

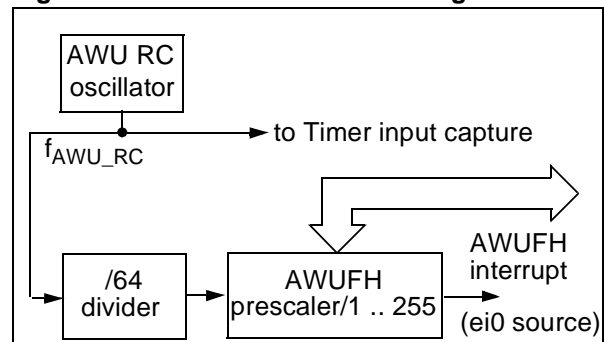
1. This delay occurs only if the MCU exits ACTIVE-HALT mode by means of a RESET.
2. Peripherals clocked with an external clock source can still be active.
3. Only the RTC1 interrupt and some specific interrupts can exit the MCU from ACTIVE-HALT mode. Refer to Table 5, "Interrupt Mapping," on page 35 for more details.
4. Before servicing an interrupt, the CC register is pushed on the stack. The I bit of the CC register is set during the interrupt routine and cleared when the CC register is popped.

9.6 AUTO WAKE UP FROM HALT MODE

Auto Wake Up From Halt (AWUFH) mode is similar to Halt mode with the addition of a specific internal RC oscillator for wake-up (Auto Wake Up from Halt Oscillator). Compared to ACTIVE-HALT mode, AWUFH has lower power consumption (the main clock is not kept running, but there is no accurate realtime clock available).

It is entered by executing the HALT instruction when the AWUEN bit in the AWUCSR register has been set.

Figure 28. AWUFH Mode Block Diagram



As soon as HALT mode is entered, and if the AWUEN bit has been set in the AWUCSR register, the AWU RC oscillator provides a clock signal ( $f_{AWU\_RC}$ ). Its frequency is divided by a fixed divider and a programmable prescaler controlled by the AWUPR register. The output of this prescaler provides the delay time. When the delay has elapsed the AWUF flag is set by hardware and an interrupt wakes-up the MCU from Halt mode. At the same time the main oscillator is immediately turned on and a 256 or 4096 cycle delay is used to stabilize it. After this start-up delay, the CPU resumes operation by servicing the AWUFH interrupt. The AWU flag and its associated interrupt are cleared by software reading the AWUCSR register.

To compensate for any frequency dispersion of the AWU RC oscillator, it can be calibrated by measuring the clock frequency  $f_{AWU\_RC}$  and then calculating the right prescaler value. Measurement mode is enabled by setting the AWUM bit in the AWUCSR register in Run mode. This connects  $f_{AWU\_RC}$  to the input capture of the 12-bit Auto-Reload timer, allowing the  $f_{AWU\_RC}$  to be measured using the main oscillator clock as a reference time-base.

## POWER SAVING MODES (Cont'd)

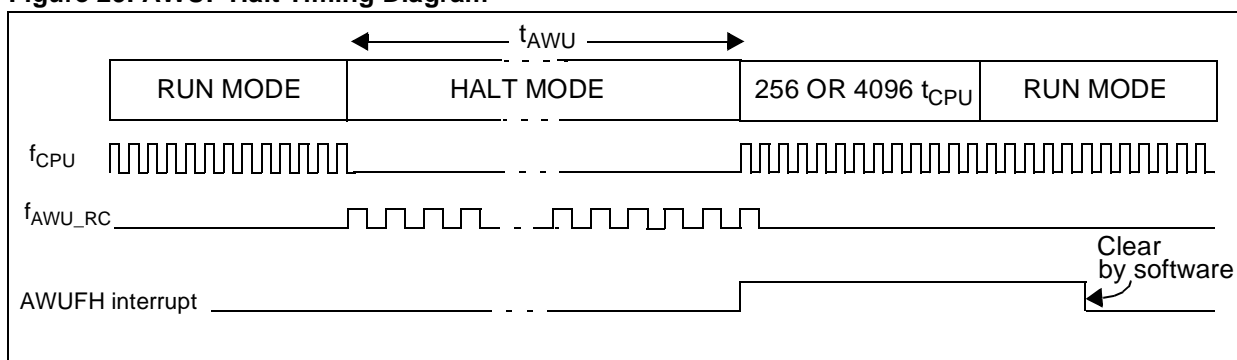
### Similarities with Halt mode

The following AWUFH mode behaviour is the same as normal Halt mode:

- The MCU can exit AWUFH mode by means of any interrupt with exit from Halt capability or a reset (see [Section 9.4 HALT MODE](#)).
- When entering AWUFH mode, the I bit in the CC register is forced to 0 to enable interrupts. Therefore, if an interrupt is pending, the MCU wakes up immediately.

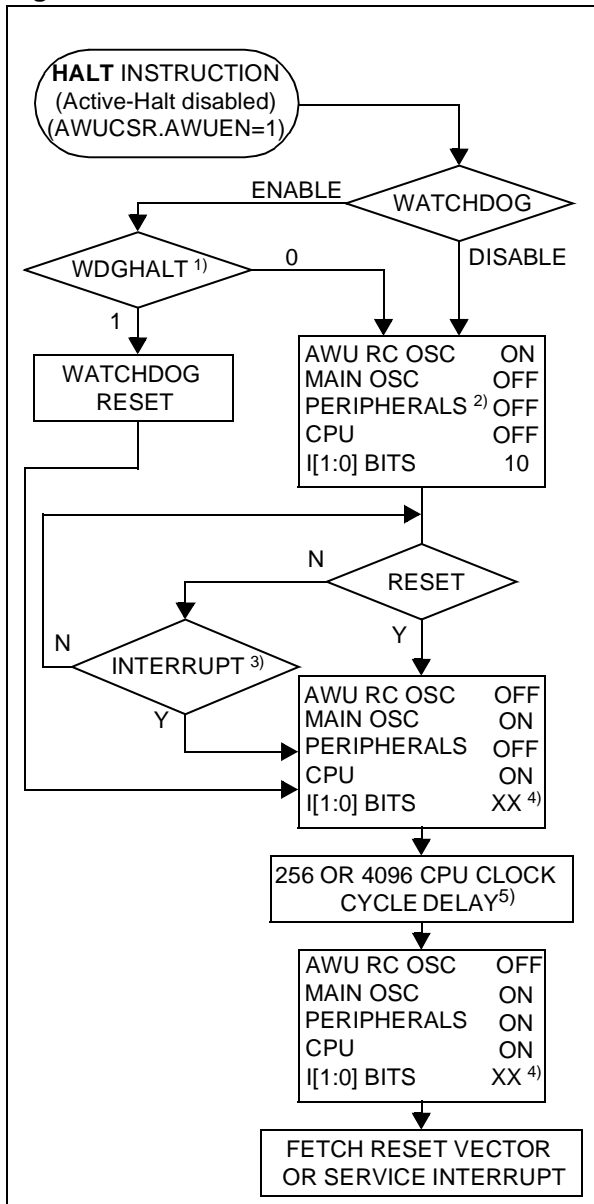
- In AWUFH mode, the main oscillator is turned off causing all internal processing to be stopped, including the operation of the on-chip peripherals. None of the peripherals are clocked except those which get their clock supply from another clock generator (such as an external or auxiliary oscillator like the AWU oscillator).
- The compatibility of Watchdog operation with AWUFH mode is configured by the WDGHALT option bit in the option byte. Depending on this setting, the HALT instruction when executed while the Watchdog system is enabled, can generate a Watchdog RESET.

**Figure 29. AWUF Halt Timing Diagram**



POWER SAVING MODES (Cont'd)

Figure 30. AWUFH Mode Flow-chart



Notes:

1. WDGHALT is an option bit. See option byte section for more details.
2. Peripheral clocked with an external clock source can still be active.
3. Only an AWUFH interrupt and some specific interrupts can exit the MCU from HALT mode (such as external interrupt). Refer to Table 5, "Interrupt Mapping," on page 35 for more details.
4. Before servicing an interrupt, the CC register is pushed on the stack. The I[1:0] bits of the CC register are set to the current software priority level of the interrupt routine and recovered when the CC register is popped.
5. If the PLL is enabled by option byte, it outputs the clock after an additional delay of  $t_{STARTUP}$  (see Figure 12).

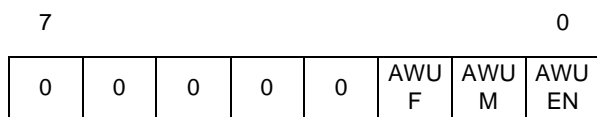
**POWER SAVING MODES (Cont'd)**

**9.6.0.1 Register Description**

**AWUFH CONTROL/STATUS REGISTER (AWUCSR)**

Read/Write

Reset Value: 0000 0000 (00h)



Bits 7:3 = Reserved.

**Bit 1= AWUF Auto Wake Up Flag**

This bit is set by hardware when the AWU module generates an interrupt and cleared by software on reading AWUCSR. Writing to this bit does not change its value.

0: No AWU interrupt occurred

1: AWU interrupt occurred

**Bit 1= AWUM Auto Wake Up Measurement**

This bit enables the AWU RC oscillator and connects its output to the inputcapture of the 12-bit Auto-Reload timer. This allows the timer to be used to measure the AWU RC oscillator dispersion and then compensate this dispersion by providing the right value in the AWUPRE register.

0: Measurement disabled

1: Measurement enabled

**Bit 0 = AWUEN Auto Wake Up From Halt Enabled**

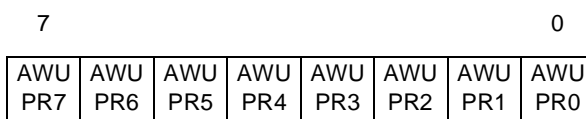
This bit enables the Auto Wake Up From Halt feature: once HALT mode is entered, the AWUFH wakes up the microcontroller after a time delay dependent on the AWU prescaler value. It is set and cleared by software.

0: AWUFH (Auto Wake Up From Halt) mode disabled

1: AWUFH (Auto Wake Up From Halt) mode enabled

**AWUFH PRESCALER REGISTER (AWUPR)**

Read/Write



Bits 7:0= **AWUPR[7:0] Auto Wake Up Prescaler**  
These 8 bits define the AWUPR Dividing factor (as explained below:

| AWUPR[7:0] | Dividing factor |
|------------|-----------------|
| 00h        | Forbidden       |
| 01h        | 1               |
| ...        | ...             |
| FEh        | 254             |
| FFh        | 255             |

In AWU mode, the period that the MCU stays in Halt Mode ( $t_{AWU}$  in [Figure 29 on page 43](#)) is defined by

$$t_{AWU} = 64 \times AWUPR \times \frac{1}{f_{AWURC}} + t_{RCSTRT}$$

This prescaler register can be programmed to modify the time that the MCU stays in Halt mode before waking up automatically.

**Note:** If 00h is written to AWUPR, depending on the product, an interrupt is generated immediately after a HALT instruction, or the AWUPR remains unchanged.

**Table 7. AWU Register Map and Reset Values**

| Address (Hex.) | Register Label               | 7           | 6           | 5           | 4           | 3           | 2           | 1           | 0           |
|----------------|------------------------------|-------------|-------------|-------------|-------------|-------------|-------------|-------------|-------------|
| 0049h          | <b>AWUPR</b><br>Reset Value  | AWUPR7<br>1 | AWUPR6<br>1 | AWUPR5<br>1 | AWUPR4<br>1 | AWUPR3<br>1 | AWUPR2<br>1 | AWUPR1<br>1 | AWUPR0<br>1 |
| 004Ah          | <b>AWUCSR</b><br>Reset Value | 0           | 0           | 0           | 0           | 0           | AWUF        | AWUM        | AWUEN       |

## 10 I/O PORTS

### 10.1 INTRODUCTION

The I/O ports allow data transfer. An I/O port can contain up to 8 pins. Each pin can be programmed independently either as a digital input or digital output. In addition, specific pins may have several other functions. These functions can include external interrupt, alternate signal input/output for on-chip peripherals or analog input.

### 10.2 FUNCTIONAL DESCRIPTION

A Data Register (DR) and a Data Direction Register (DDR) are always associated with each port. The Option Register (OR), which allows input/output options, may or may not be implemented. The following description takes into account the OR register. Refer to the Port Configuration table for device specific information.

An I/O pin is programmed using the corresponding bits in the DDR, DR and OR registers: bit x corresponding to pin x of the port.

Figure 31 shows the generic I/O block diagram.

#### 10.2.1 Input Modes

Clearing the DDRx bit selects input mode. In this mode, reading its DR bit returns the digital value from that I/O pin.

If an OR bit is available, different input modes can be configured by software: floating or pull-up. Refer to I/O Port Implementation section for configuration.

**Notes:**

1. Writing to the DR modifies the latch value but does not change the state of the input pin.
2. Do not use read/modify/write instructions (BSET/BRES) to modify the DR register.

#### External Interrupt Function

Depending on the device, setting the ORx bit while in input mode can configure an I/O as an input with interrupt. In this configuration, a signal edge or level input on the I/O generates an interrupt request via the corresponding interrupt vector (eix).

Falling or rising edge sensitivity is programmed independently for each interrupt vector. The External Interrupt Control Register (EICR) or the Miscellaneous Register controls this sensitivity, depending on the device.

A device may have up to 7 external interrupts. Several pins may be tied to one external interrupt vector. Refer to Pin Description to see which ports have external interrupts.

If several I/O interrupt pins on the same interrupt vector are selected simultaneously, they are logically combined. For this reason if one of the interrupt pins is tied low, it may mask the others.

External interrupts are hardware interrupts. Fetching the corresponding interrupt vector automatically clears the request latch. Modifying the sensitivity bits will clear any pending interrupts.

#### 10.2.2 Output Modes

Setting the DDRx bit selects output mode. Writing to the DR bits applies a digital value to the I/O through the latch. Reading the DR bits returns the previously stored value.

If an OR bit is available, different output modes can be selected by software: push-pull or open-drain. Refer to I/O Port Implementation section for configuration.

#### DR Value and Output Pin Status

| DR | Push-Pull       | Open-Drain      |
|----|-----------------|-----------------|
| 0  | V <sub>OL</sub> | V <sub>OL</sub> |
| 1  | V <sub>OH</sub> | Floating        |

#### 10.2.3 Alternate Functions

Many ST7s I/Os have one or more alternate functions. These may include output signals from, or input signals to, on-chip peripherals. The Device Pin Description table describes which peripheral signals can be input/output to which ports.

A signal coming from an on-chip peripheral can be output on an I/O. To do this, enable the on-chip peripheral as an output (enable bit in the peripheral's control register). The peripheral configures the I/O as an output and takes priority over standard I/O programming. The I/O's state is readable by addressing the corresponding I/O data register.

Configuring an I/O as floating enables alternate function input. It is not recommended to configure an I/O as pull-up as this will increase current consumption. Before using an I/O as an alternate input, configure it without interrupt. Otherwise spurious interrupts can occur.

Configure an I/O as input floating for an on-chip peripheral signal which can be input and output.

**Caution:**

I/Os which can be configured as both an analog and digital alternate function need special attention. The user must control the peripherals so that the signals do not arrive at the same time on the same pin. If an external clock is used, only the clock alternate function should be employed on that I/O pin and not the other alternate function.

I/O PORTS (Cont'd)

Figure 31. I/O Port General Block Diagram

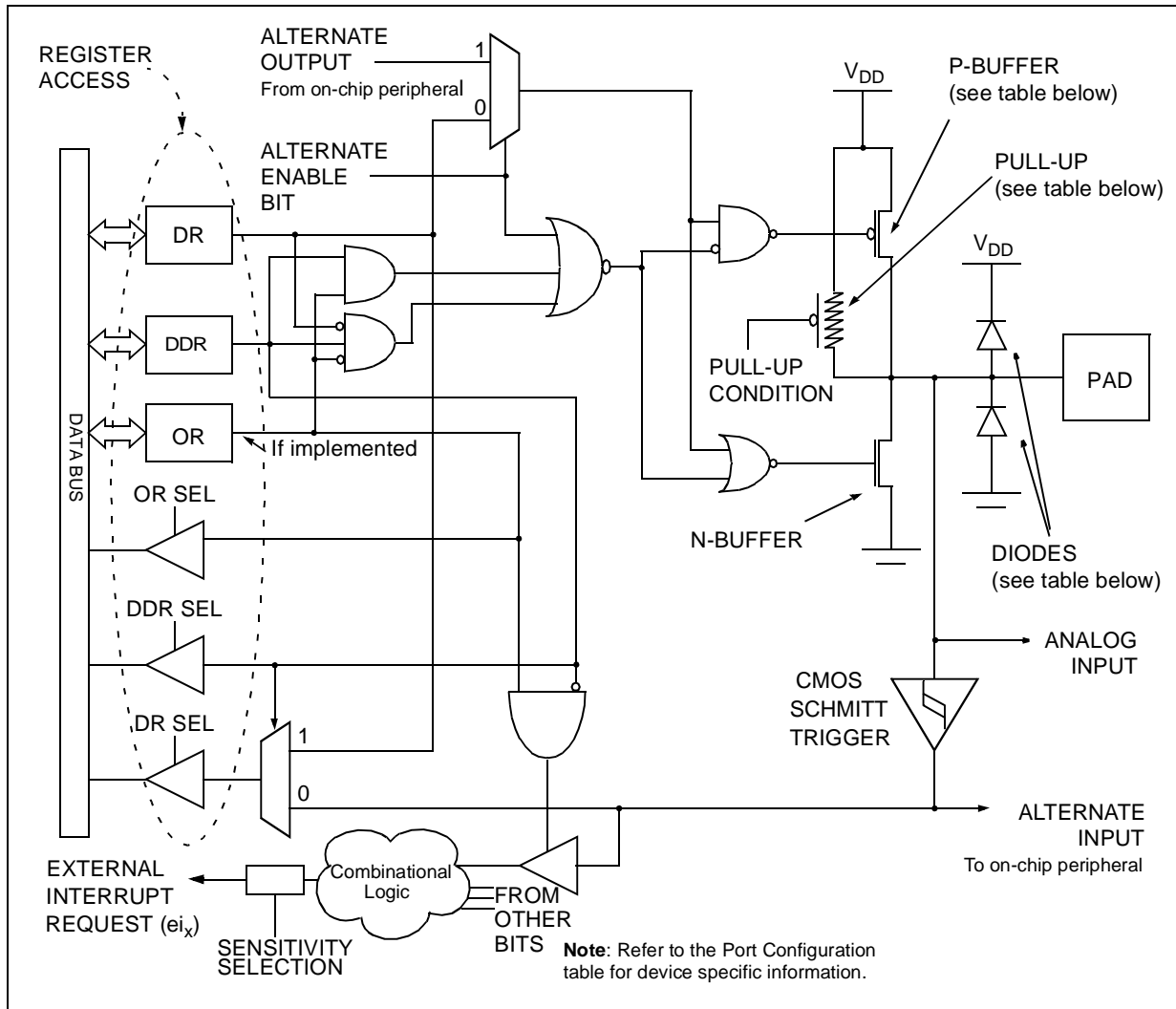


Table 8. I/O Port Mode Options

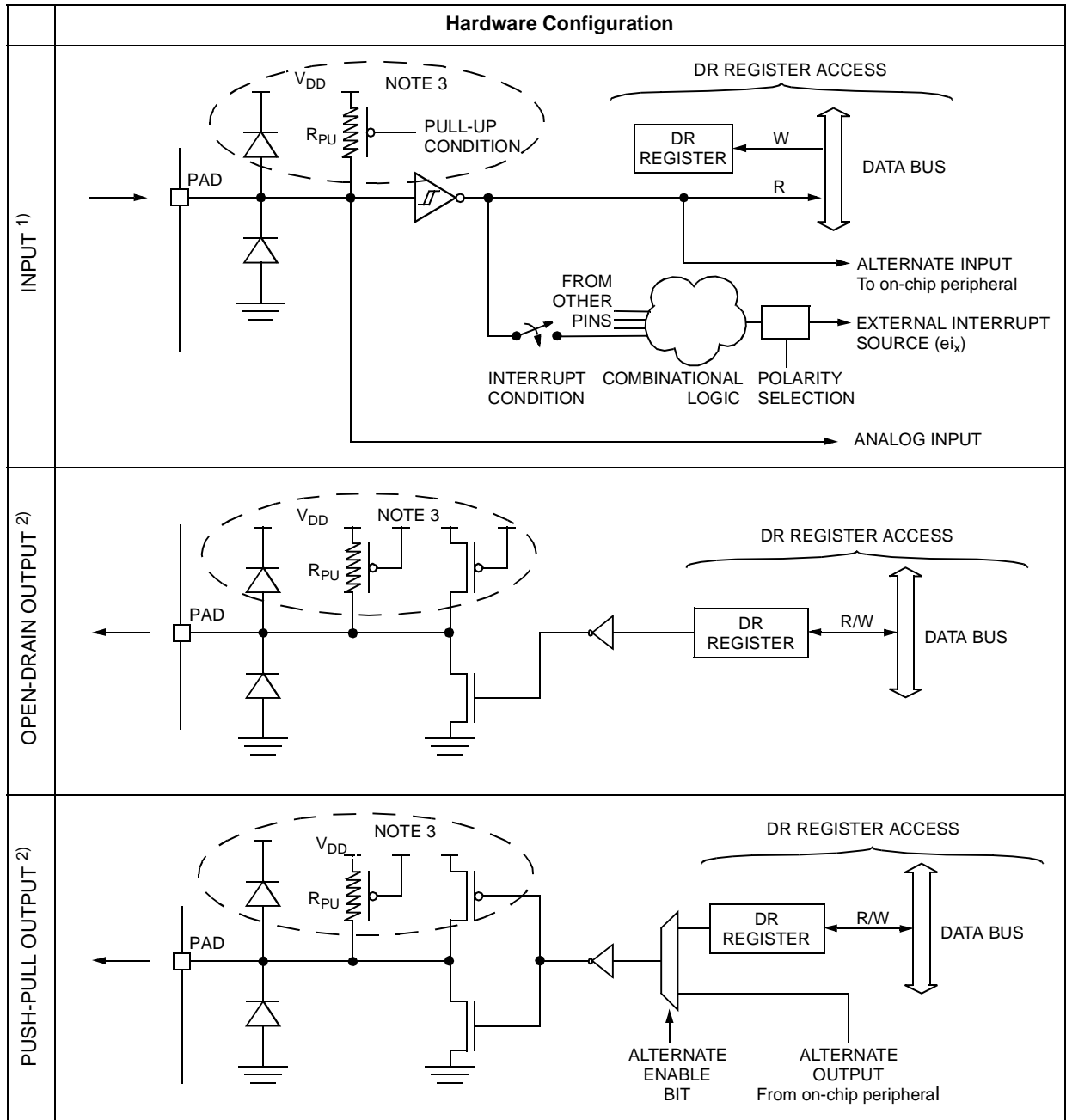
| Configuration Mode |                                 | Pull-Up | P-Buffer | Diodes             |                    |
|--------------------|---------------------------------|---------|----------|--------------------|--------------------|
|                    |                                 |         |          | to V <sub>DD</sub> | to V <sub>SS</sub> |
| Input              | Floating with/without Interrupt | Off     | Off      | On                 | On                 |
|                    | Pull-up with/without Interrupt  | On      |          |                    |                    |
| Output             | Push-pull                       | Off     | On       | NI (see note)      | On                 |
|                    | Open Drain (logic level)        |         | Off      |                    |                    |
|                    | True Open Drain                 | NI      | NI       |                    |                    |

**Legend:** NI - not implemented  
 Off - implemented not activated  
 On - implemented and activated

**Note:** The diode to V<sub>DD</sub> is not implemented in the true open drain pads. A local protection between the pad and V<sub>OL</sub> is implemented to protect the device against positive stress.

I/O PORTS (Cont'd)

Table 9. I/O Configurations



Notes:

1. When the I/O port is in input configuration and the associated alternate function is enabled as an output, reading the DR register will read the alternate output status.
2. When the I/O port is in output configuration and the associated alternate function is enabled as an input, the alternate function reads the pin status given by the DR register content.
3. For true open drain, these elements are not implemented.

**I/O PORTS (Cont'd)**

**Analog alternate function**

Configure the I/O as floating input to use an ADC input. The analog multiplexer (controlled by the ADC registers) switches the analog voltage present on the selected pin to the common analog rail, connected to the ADC input.

**Analog Recommendations**

Do not change the voltage level or loading on any I/O while conversion is in progress. Do not have clocking pins located close to a selected analog pin.

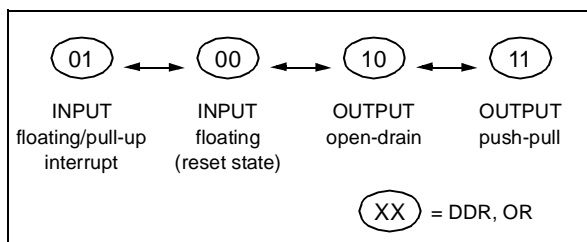
**WARNING:** The analog input voltage level must be within the limits stated in the absolute maximum ratings.

**10.3 I/O PORT IMPLEMENTATION**

The hardware implementation on each I/O port depends on the settings in the DDR and OR registers and specific I/O port features such as ADC input or open drain.

Switching these I/O ports from one state to another should be done in a sequence that prevents unwanted side effects. Recommended safe transitions are illustrated in Figure 32. Other transitions are potentially risky and should be avoided, since they may present unwanted side-effects such as spurious interrupt generation.

**Figure 32. Interrupt I/O Port State Transitions**



**10.4 UNUSED I/O PINS**

Unused I/O pins must be connected to fixed voltage levels. Refer to Section 13.8.

**10.5 LOW POWER MODES**

| Mode | Description  |
|------|--|
| WAIT | No effect on I/O ports. External interrupts cause the device to exit from WAIT mode. |
| HALT | No effect on I/O ports. External interrupts cause the device to exit from HALT mode. |

**10.6 INTERRUPTS**

The external interrupt event generates an interrupt if the corresponding configuration is selected with DDR and OR registers and if the I bit in the CC register is cleared (RIM instruction).

| Interrupt Event                               | Event Flag | Enable Control Bit | Exit from Wait | Exit from Halt |
|---|------------|--------------------|----------------|----------------|
| External interrupt on selected external event | -          | DDRx ORx           | Yes            | Yes            |

I/O PORTS (Cont'd)

10.7 DEVICE-SPECIFIC I/O PORT CONFIGURATION

The I/O port register configurations are summarised as follows.

Standard Ports

PA7:0, PB6:0

| MODE              | DDR | OR |
|-------------------|-----|----|
| floating input    | 0   | 0  |
| pull-up input     | 0   | 1  |
| open drain output | 1   | 0  |
| push-pull output  | 1   | 1  |

Interrupt Ports

Ports where the external interrupt capability is selected using the EISR register

| MODE                    | DDR | OR |
|-------------------------|-----|----|
| floating input          | 0   | 0  |
| pull-up interrupt input | 0   | 1  |
| open drain output       | 1   | 0  |
| push-pull output        | 1   | 1  |

Table 10. Port Configuration (Standard ports)

| Port   | Pin name | Input    |         | Output     |           |
|--------|----------|----------|---------|------------|-----------|
|        |          | OR = 0   | OR = 1  | OR = 0     | OR = 1    |
| Port A | PA7:0    | floating | pull-up | open drain | push-pull |
| Port B | PB6:0    | floating | pull-up | open drain | push-pull |

**Note:** On ports where the external interrupt capability is selected using the EISR register, the configuration will be as follows:

| Port   | Pin name | Input    |                   | Output     |           |
|--------|----------|----------|-------------------|------------|-----------|
|        |          | OR = 0   | OR = 1            | OR = 0     | OR = 1    |
| Port A | PA7:0    | floating | pull-up interrupt | open drain | push-pull |
| Port B | PB6:0    | floating | pull-up interrupt | open drain | push-pull |

Table 11. I/O Port Register Map and Reset Values

| Address (Hex.) | Register Label       | 7        | 6 | 5 | 4 | 3 | 2 | 1 | 0        |
|----------------|----------------------|----------|---|---|---|---|---|---|----------|
| 0000h          | PADR<br>Reset Value  | MSB<br>1 | 1 | 1 | 1 | 1 | 1 | 1 | LSB<br>1 |
| 0001h          | PADDR<br>Reset Value | MSB<br>0 | 0 | 0 | 0 | 0 | 0 | 0 | LSB<br>0 |
| 0002h          | PAOR<br>Reset Value  | MSB<br>0 | 1 | 0 | 0 | 0 | 0 | 0 | LSB<br>0 |
| 0003h          | PBDR<br>Reset Value  | MSB<br>1 | 1 | 1 | 1 | 1 | 1 | 1 | LSB<br>1 |
| 0004h          | PBDDR<br>Reset Value | MSB<br>0 | 0 | 0 | 0 | 0 | 0 | 0 | LSB<br>0 |
| 0005h          | PBOR<br>Reset Value  | MSB<br>0 | 0 | 0 | 0 | 0 | 0 | 0 | LSB<br>0 |

## 11 ON-CHIP PERIPHERALS

### 11.1 WATCHDOG TIMER (WDG)

#### 11.1.1 Introduction

The Watchdog timer is used to detect the occurrence of a software fault, usually generated by external interference or by unforeseen logical conditions, which causes the application program to abandon its normal sequence. The Watchdog circuit generates an MCU reset on expiry of a programmed time period, unless the program refreshes the counter's contents before the T6 bit becomes cleared.

#### 11.1.2 Main Features

- Programmable free-running downcounter (64 increments of 16000 CPU cycles)
- Programmable reset
- Reset (if watchdog activated) when the T6 bit reaches zero

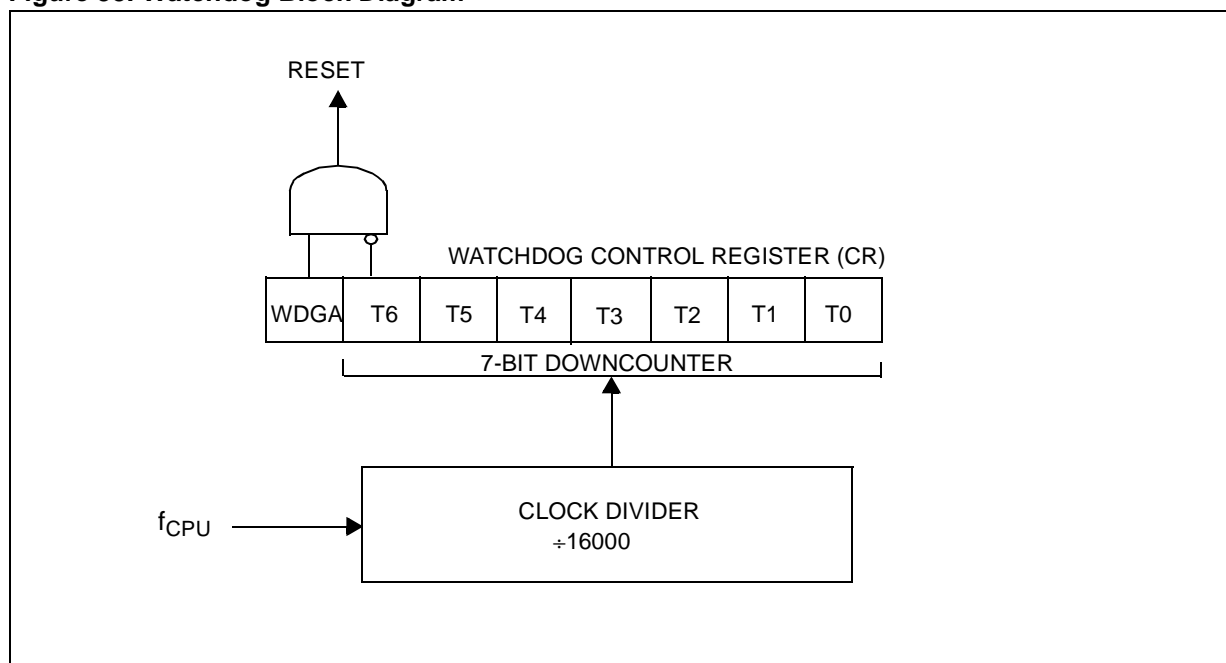
- Optional reset on HALT instruction (configurable by option byte)
- Hardware Watchdog selectable by option byte

#### 11.1.3 Functional Description

The counter value stored in the CR register (bits T[6:0]), is decremented every 16000 machine cycles, and the length of the timeout period can be programmed by the user in 64 increments.

If the watchdog is activated (the WDGA bit is set) and when the 7-bit timer (bits T[6:0]) rolls over from 40h to 3Fh (T6 becomes cleared), it initiates a reset cycle pulling low the reset pin for typically 36µs.

Figure 33. Watchdog Block Diagram



**WATCHDOG TIMER (Cont'd)**

The application program must write in the CR register at regular intervals during normal operation to prevent an MCU reset. This downcounter is free-running: it counts down even if the watchdog is disabled. The value to be stored in the CR register must be between FFh and C0h (see [Table 12 .Watchdog Timing](#)):

- The WDGA bit is set (watchdog enabled)
- The T6 bit is set to prevent generating an immediate reset
- The T[5:0] bits contain the number of increments which represents the time delay before the watchdog produces a reset.

Following a reset, the watchdog is disabled. Once activated it cannot be disabled, except by a reset.

The T6 bit can be used to generate a software reset (the WDGA bit is set and the T6 bit is cleared).

If the watchdog is activated, the HALT instruction will generate a Reset.

**Table 12. Watchdog Timing**

| $f_{CPU} = 8MHz$ |          |          |
|------------------|----------|----------|
| WDG Counter Code | min [ms] | max [ms] |
| C0h              | 1        | 2        |
| FFh              | 127      | 128      |

Notes:

1. The timing variation shown in [Table 12](#) is due to the unknown status of the prescaler when writing to the CR register.
2. The number of CPU clock cycles applied during the RESET phase (256 or 4096) must be taken into account in addition to these timings.

**11.1.4 Hardware Watchdog Option**

If Hardware Watchdog is selected by option byte, the watchdog is always active and the WDGA bit in the CR is not used.

Refer to the Option Byte description in [section 15 on page 123](#).

**11.1.4.1 Using Halt Mode with the WDG (WDGHALT option)**

If Halt mode with Watchdog is enabled by option byte (No watchdog reset on HALT instruction), it is recommended before executing the HALT instruction to refresh the WDG counter, to avoid an unexpected WDG reset immediately after waking up the microcontroller. Same behavior in active-halt mode.

**WATCHDOG TIMER (Cont'd)****11.1.5 Interrupts**

None.

Bit 6:0 = **T[6:0]** 7-bit timer (MSB to LSB).

These bits contain the decremented value. A reset is produced when it rolls over from 40h to 3Fh (T6 becomes cleared).

**11.1.6 Register Description****CONTROL REGISTER (CR)**

Read/Write

Reset Value: 0111 1111 (7Fh)

|      |    |    |    |    |    |    |    |
|------|----|----|----|----|----|----|----|
| 7    |    |    |    |    |    |    | 0  |
| WDGA | T6 | T5 | T4 | T3 | T2 | T1 | T0 |

Bit 7 = **WDGA** Activation bit.

This bit is set by software and only cleared by hardware after a reset. When WDGA = 1, the watchdog can generate a reset.

0: Watchdog disabled

1: Watchdog enabled

**Note:** This bit is not used if the hardware watchdog option is enabled by option byte.

**WATCHDOG TIMER (Cont'd)****Table 13. Watchdog Timer Register Map and Reset Values**

| Address (Hex.) | Register Label              | 7         | 6       | 5       | 4       | 3       | 2       | 1       | 0       |
|----------------|-----------------------------|-----------|---------|---------|---------|---------|---------|---------|---------|
| 002Eh          | <b>WDGCR</b><br>Reset Value | WDGA<br>0 | T6<br>1 | T5<br>1 | T4<br>1 | T3<br>1 | T2<br>1 | T1<br>1 | T0<br>1 |



12-BIT AUTORELOAD TIMER (Cont'd)

11.2.3 Functional Description

PWM Mode

This mode allows up to four Pulse Width Modulated signals to be generated on the PWMx output pins. The PWMx output signals can be enabled or disabled using the OEx bits in the PWMCR register.

PWM Frequency and Duty Cycle

The four PWM signals have the same frequency ( $f_{PWM}$ ) which is controlled by the counter period and the ATR register value.

$$f_{PWM} = f_{COUNTER} / (4096 - ATR)$$

Following the above formula,

- If  $f_{COUNTER}$  is 32 MHz, the maximum value of  $f_{PWM}$  is 8 MHz (ATR register value = 4092), the minimum value is 8 KHz (ATR register value = 0)
- If  $f_{COUNTER}$  is 4 Mhz the maximum value of  $f_{PWM}$  is 2 MHz (ATR register value = 4094), the minimum value is 1 KHz (ATR register value = 0).

**Note:** The maximum value of ATR is 4094 because it must be lower than the DCR value which must be 4095 in this case.

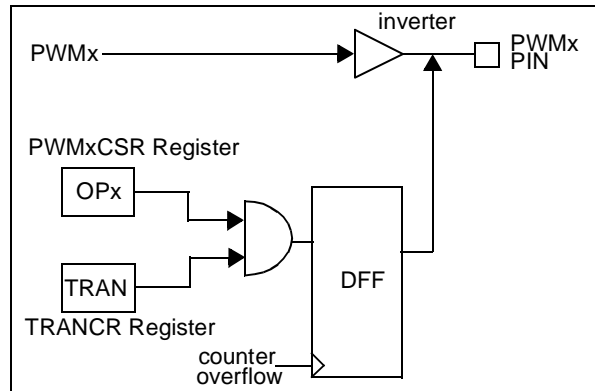
At reset, the counter starts counting from 0.

When a upcounter overflow occurs (OVF event), the preloaded Duty cycle values are transferred to the Duty Cycle registers and the PWMx signals are set to a high level. When the upcounter matches the DCRx value the PWMx signals are set to a low level. To obtain a signal on a PWMx pin, the

contents of the corresponding DCRx register must be greater than the contents of the ATR register.

The polarity bits can be used to invert any of the four output signals. The inversion is synchronized with the counter overflow if the TRAN bit in the TRANCR register is set (reset value). See [Figure 35](#).

Figure 35. PWM Inversion Diagram

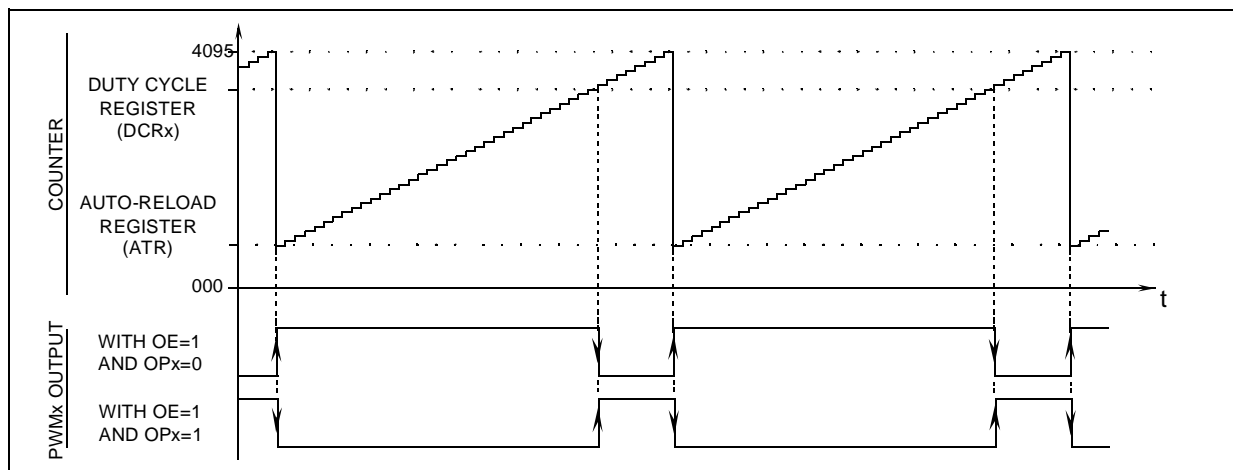


The maximum available resolution for the PWMx duty cycle is:

$$\text{Resolution} = 1 / (4096 - ATR)$$

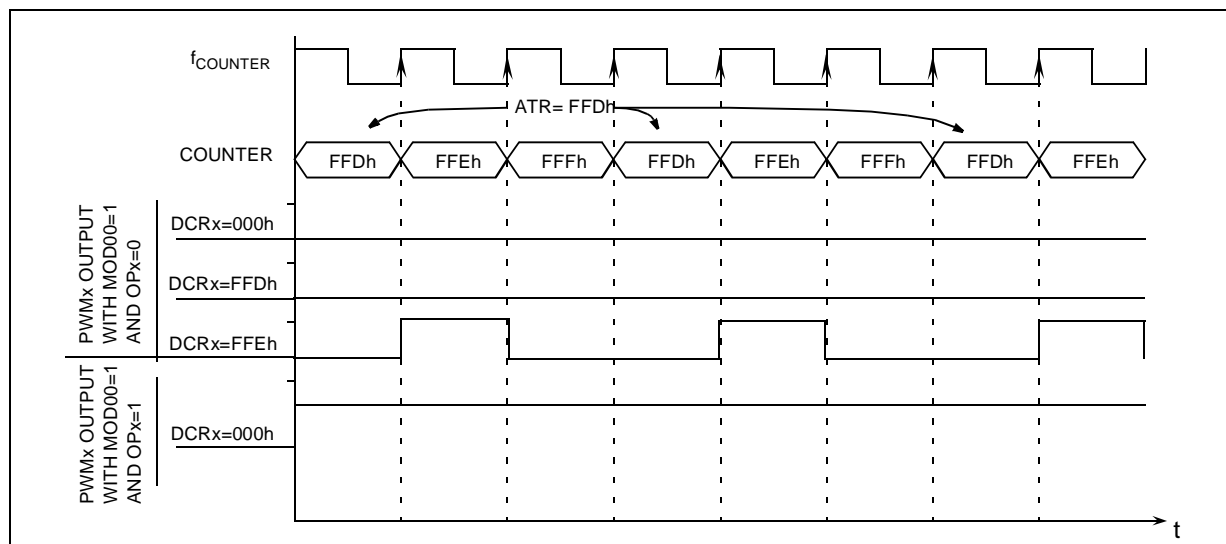
**Note:** To get the maximum resolution (1/4096), the ATR register must be 0. With this maximum resolution, 0% and 100% can be obtained by changing the polarity.

Figure 36. PWM Function



## 12-BIT AUTORELOAD TIMER (Cont'd)

Figure 37. PWM Signal from 0% to 100% Duty Cycle

**Output Compare Mode**

This mode is always available.

To use this function, load a 12-bit value in the DCRxH and DCRxL registers.

When the 12-bit upcounter (CNTR) reaches the value stored in the DCRxH and DCRxL registers, the CMPF bit in the PWMxCSR register is set and an interrupt request is generated if the CMPIE bit is set.

**Note:** The output compare function is only available for DCRx values other than 0 (reset value).

**Break Function**

The break function is used to perform an emergency shutdown of the power converter.

The break function is activated by the external BREAK pin (active low). In order to use the BREAK pin it must be previously enabled by software setting the BPEN bit in the BREAKCR register.

When a low level is detected on the BREAK pin, the BA bit is set and the break function is activated.

Software can set the BA bit to activate the break function without using the BREAK pin.

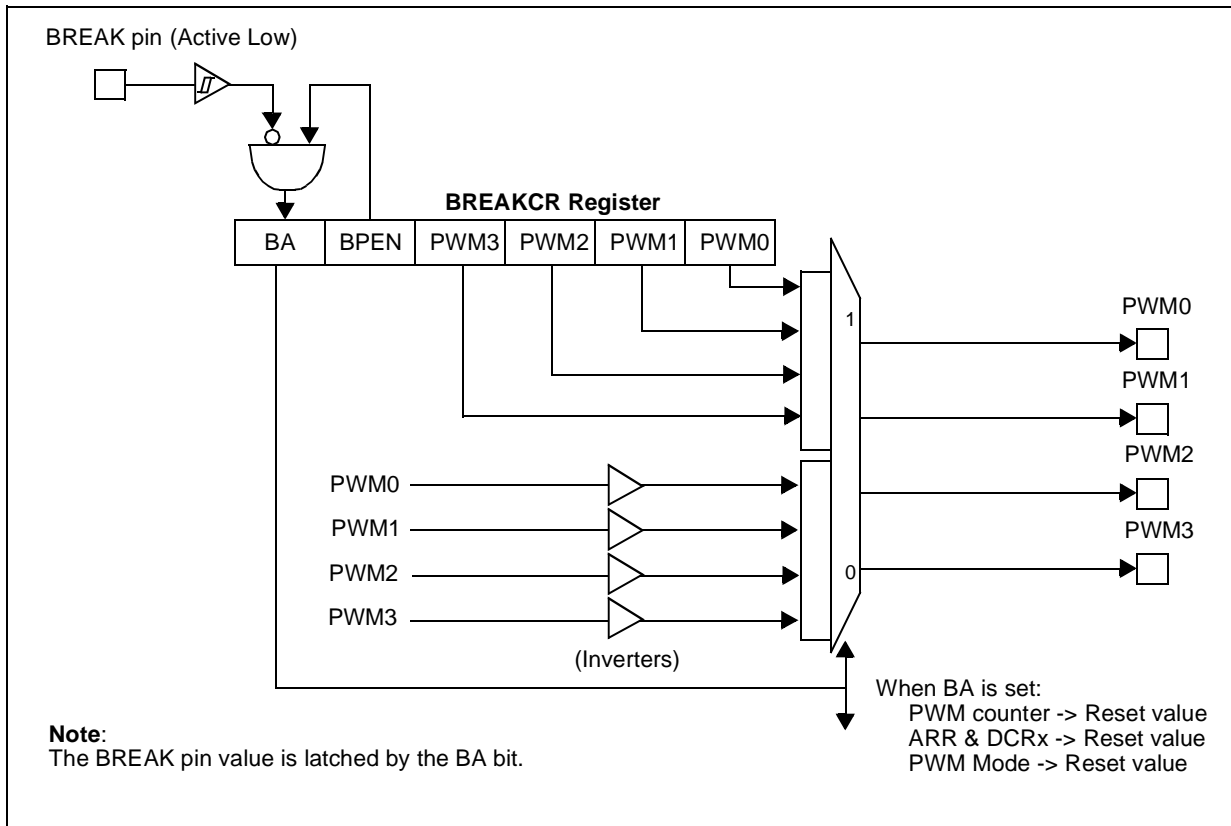
When the break function is activated (BA bit =1):

- The break pattern (PWM[3:0] bits in the BREAK-CR) is forced directly on the PWMx output pins (after the inverter).
- The 12-bit PWM counter is set to its reset value.
- The ARR, DCRx and the corresponding shadow registers are set to their reset values.
- The PWMCR register is reset.

When the break function is deactivated after applying the break (BA bit goes from 1 to 0 by software):

- The control of PWM outputs is transferred to the port registers.

Figure 38. Block Diagram of Break Function

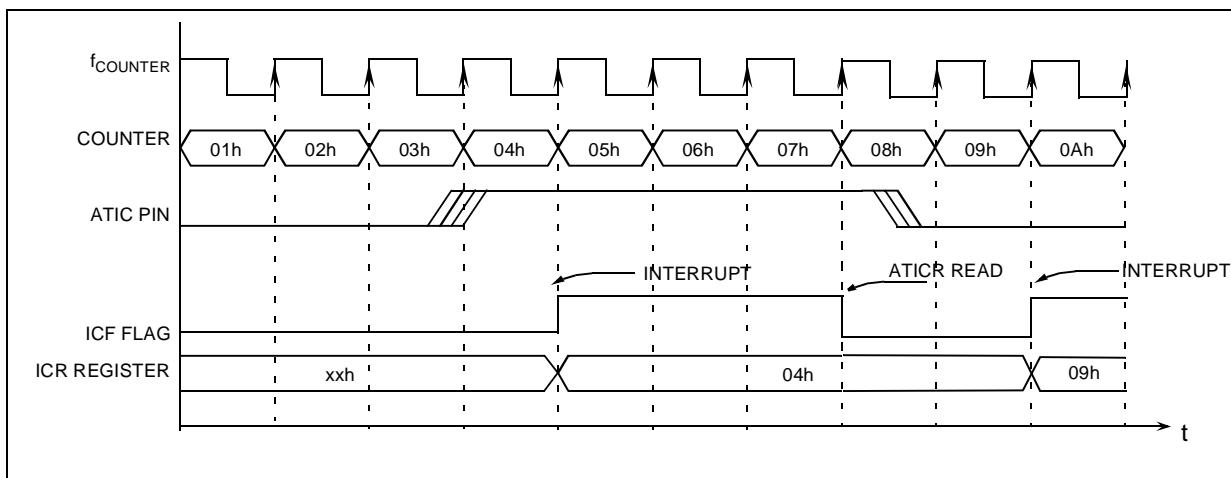


### 11.2.3.1 Input Capture

The 12-bit ATICR register is used to latch the value of the 12-bit free running upcounter after a rising or falling edge is detected on the ATIC pin. When an input capture occurs, the ICF bit is set and the ATICR register contains the value of the

free running upcounter. An IC interrupt is generated if the ICIE bit is set. The ICF bit is reset by reading the ATICR register when the ICF bit is set. The ATICR is a read only register and always contains the free running upcounter value which corresponds to the most recent input capture. Any further input capture is inhibited while the ICF bit is set.

Figure 39. Input Capture Timing Diagram



**12-BIT AUTORELOAD TIMER (Cont'd)****11.2.4 Low Power Modes**

| Mode        | Description  |
|-------------|--|
| SLOW        | The input frequency is divided by 32               |
| WAIT        | No effect on AT timer                              |
| ACTIVE-HALT | AT timer halted except if CK0=1, CK1=0 and OVFIE=1 |
| HALT        | AT timer halted                                    |

The OVF event is mapped on a separate vector (see Interrupts chapter). They generate an interrupt if the enable bit is set in the ATCSR register and the interrupt mask in the CC register is reset (RIM instruction).

**Note 2:** Only if CK0=1 and CK1=0

**11.2.5 Interrupts**

| Interrupt Event <sup>1)</sup> | Event Flag | Enable Control Bit | Exit from Wait | Exit from Halt | Exit from Active-Halt |
|-------------------------------|------------|--------------------|----------------|----------------|-----------------------|
| Overflow Event                | OVF        | OVIE               | Yes            | No             | Yes <sup>2)</sup>     |
| IC Event                      | ICF        | ICIE               | Yes            | No             | No                    |
| CMP Event                     | CMPF0      | CMPIE              | Yes            | No             | No                    |

**Note 1:** The CMP and IC events are connected to the same interrupt vector.

12-BIT AUTORELOAD TIMER (Cont'd)

11.2.6 Register Description

**TIMER CONTROL STATUS REGISTER (ATCSR)**

Read / Write

Reset Value: 0x00 0000 (x0h)

|   |     |      |     |     |     |       |       |
|---|-----|------|-----|-----|-----|-------|-------|
| 7 | 6   |      |     |     |     |       | 0     |
| 0 | ICF | ICIE | CK1 | CK0 | OVF | OVFIE | CMPIE |

Bit 7 = Reserved.

Bit 6 = **ICF** *Input Capture Flag*.

This bit is set by hardware and cleared by software by reading the ATICR register (a read access to ATICRH or ATICRL will clear this flag). Writing to this bit does not change the bit value.

0: No input capture

1: An input capture has occurred

Bit 5 = **ICIE** *IC Interrupt Enable*.

This bit is set and cleared by software.

0: Input capture interrupt disabled

1: Input capture interrupt enabled

Bits 4:3 = **CK[1:0]** *Counter Clock Selection*.

These bits are set and cleared by software and cleared by hardware after a reset. They select the clock frequency of the counter. The change becomes effective after an overflow.

| Counter Clock Selection                            | CK1 | CK0 |
|--|-----|-----|
| OFF  | 0   | 0   |
| $f_{LTIMER}$ (1 ms timebase @ 8 MHz) <sup>1)</sup> | 0   | 1   |
| $f_{CPU}$  | 1   | 0   |
| 32 MHz <sup>2)</sup>                               | 1   | 1   |

**Note 1:** PWM mode is not available at this frequency.

**Note 2:** ATICR counter may return inaccurate results when read. It is therefore not recommended to use Input Capture mode at this frequency.

Bit 2 = **OVF** *Overflow Flag*.

This bit is set by hardware and cleared by software by reading the TCSR register. It indicates the transition of the counter from FFh to ATR value.

0: No counter overflow occurred

1: Counter overflow occurred

Bit 1 = **OVFIE** *Overflow Interrupt Enable*.

This bit is read/write by software and cleared by hardware after a reset.

0: OVF interrupt disabled.

1: OVF interrupt enabled.

Bit 0 = **CMPIE** *Compare Interrupt Enable*.

This bit is read/write by software and cleared by hardware after a reset. It can be used to mask the interrupt generated when the CMPF bit is set.

0: CMPF interrupt disabled.

1: CMPF interrupt enabled.

**COUNTER REGISTER HIGH (CNTRH)**

Read only

Reset Value: 0000 0000 (000h)

|    |   |   |   |            |            |       |       |   |
|----|---|---|---|------------|------------|-------|-------|---|
| 15 |   |   |   |            |            |       |       | 8 |
| 0  | 0 | 0 | 0 | CNTR<br>11 | CNTR<br>10 | CNTR9 | CNTR8 |   |

**COUNTER REGISTER LOW (CNTRL)**

Read only

Reset Value: 0000 0000 (000h)

|       |       |       |       |       |       |       |       |   |
|-------|-------|-------|-------|-------|-------|-------|-------|---|
| 7     |       |       |       |       |       |       |       | 0 |
| CNTR7 | CNTR6 | CNTR5 | CNTR4 | CNTR3 | CNTR2 | CNTR1 | CNTR0 |   |

Bits 15:12 = Reserved.

Bits 11:0 = **CNTR[11:0]** *Counter Value*.

This 12-bit register is read by software and cleared by hardware after a reset. The counter is incremented continuously as soon as a counter clock is selected. To obtain the 12-bit value, software should read the counter value in two consecutive read operations, LSB first. When a counter overflow occurs, the counter restarts from the value specified in the ATR register.

**12-BIT AUTORELOAD TIMER (Cont'd)****AUTORELOAD REGISTER (ATRH)**

Read / Write

Reset Value: 0000 0000 (00h)

|    |   |   |   |       |       |      |      |   |
|----|---|---|---|-------|-------|------|------|---|
| 15 |   |   |   |       |       |      |      | 8 |
| 0  | 0 | 0 | 0 | ATR11 | ATR10 | ATR9 | ATR8 |   |

**AUTORELOAD REGISTER (ATRL)**

Read / Write

Reset Value: 0000 0000 (00h)

|      |      |      |      |      |      |      |      |   |
|------|------|------|------|------|------|------|------|---|
| 7    |      |      |      |      |      |      |      | 0 |
| ATR7 | ATR6 | ATR5 | ATR4 | ATR3 | ATR2 | ATR1 | ATR0 |   |

Bits 11:0 = **ATR[11:0]** Autoreload Register.

This is a 12-bit register which is written by software. The ATR register value is automatically loaded into the upcounter when an overflow occurs. The register value is used to set the PWM frequency.

**PWM OUTPUT CONTROL REGISTER (PWMCR)**

Read/Write

Reset Value: 0000 0000 (00h)

|   |     |   |     |   |     |   |     |   |
|---|-----|---|-----|---|-----|---|-----|---|
| 7 |     |   |     |   |     |   |     | 0 |
| 0 | OE3 | 0 | OE2 | 0 | OE1 | 0 | OE0 |   |

Bits 7:0 = **OE[3:0]** PWMx output enable.

These bits are set and cleared by software and cleared by hardware after a reset.

0: PWM mode disabled. PWMx Output Alternate Function disabled (I/O pin free for general purpose I/O)

1: PWM mode enabled

**PWMx CONTROL STATUS REGISTER (PWMxCSR)**

Read / Write

Reset Value: 0000 0000 (00h)

|   |   |   |   |   |   |     |       |
|---|---|---|---|---|---|-----|-------|
| 7 | 6 |   |   |   |   |     | 0     |
| 0 | 0 | 0 | 0 | 0 | 0 | OPx | CMPFx |

Bits 7:2= Reserved, must be kept cleared.

Bit 1 = **OPx** PWMx Output Polarity.

This bit is read/write by software and cleared by hardware after a reset. This bit selects the polarity of the PWM signal.

0: The PWM signal is not inverted.

1: The PWM signal is inverted.

Bit 0 = **CMPFx** PWMx Compare Flag.

This bit is set by hardware and cleared by software by reading the PWMxCSR register. It indicates that the upcounter value matches the DCRx register value.

0: Upcounter value does not match DCR value.

1: Upcounter value matches DCR value.

**BREAK CONTROL REGISTER (BREAKCR)**

Read/Write

Reset Value: 0000 0000 (00h)

|   |   |    |      |      |      |      |      |   |
|---|---|----|------|------|------|------|------|---|
| 7 |   |    |      |      |      |      |      | 0 |
| 0 | 0 | BA | BPEN | PWM3 | PWM2 | PWM1 | PWM0 |   |

Bits 7:6 = Reserved. Forced by hardware to 0.

Bit 5 = **BA** Break Active.

This bit is read/write by software, cleared by hardware after reset and set by hardware when the BREAK pin is low. It activates/deactivates the Break function.

0: Break not active

1: Break active

**12-BIT AUTORELOAD TIMER (Cont'd)**

Bit 4 = **BPEN** *Break Pin Enable*.

This bit is read/write by software and cleared by hardware after Reset.

- 0: Break pin disabled
- 1: Break pin enabled

Bit 3:0 = **PWM[3:0]** *Break Pattern*.

These bits are read/write by software and cleared by hardware after a reset. They are used to force the four PWMx output signals into a stable state when the Break function is active.

**PWMx DUTY CYCLE REGISTER HIGH (DCRxH)**

Read / Write

Reset Value: 0000 0000 (00h)

|    |   |   |   |       |       |      |      |
|----|---|---|---|-------|-------|------|------|
| 15 |   |   |   | 8     |       |      |      |
| 0  | 0 | 0 | 0 | DCR11 | DCR10 | DCR9 | DCR8 |

**PWMx DUTY CYCLE REGISTER LOW (DCRxL)**

Read / Write

Reset Value: 0000 0000 (00h)

|      |      |      |      |      |      |      |      |
|------|------|------|------|------|------|------|------|
| 7    |      |      |      | 0    |      |      |      |
| DCR7 | DCR6 | DCR5 | DCR4 | DCR3 | DCR2 | DCR1 | DCR0 |

Bits 15:12 = Reserved.

Bits 11:0 = **DCR[11:0]** *PWMx Duty Cycle Value*

This 12-bit value is written by software. It defines the duty cycle of the corresponding PWM output signal (see [Figure 36](#)).

In PWM mode (OEx=1 in the PWMCR register) the DCR[11:0] bits define the duty cycle of the PWMx output signal (see [Figure 36](#)). In Output Compare mode, they define the value to be compared with the 12-bit upcounter value.

**INPUT CAPTURE REGISTER HIGH (ATICRH)**

Read only

Reset Value: 0000 0000 (00h)

|    |   |   |   |       |       |      |      |
|----|---|---|---|-------|-------|------|------|
| 15 |   |   |   | 8     |       |      |      |
| 0  | 0 | 0 | 0 | ICR11 | ICR10 | ICR9 | ICR8 |

**INPUT CAPTURE REGISTER LOW (ATICRL)**

Read only

Reset Value: 0000 0000 (00h)

|      |      |      |      |      |      |      |      |
|------|------|------|------|------|------|------|------|
| 7    |      |      |      | 0    |      |      |      |
| ICR7 | ICR6 | ICR5 | ICR4 | ICR3 | ICR2 | ICR1 | ICR0 |

Bits 15:12 = Reserved.

Bits 11:0 = **ICR[11:0]** *Input Capture Data*.

This is a 12-bit register which is readable by software and cleared by hardware after a reset. The ATICR register contains captured the value of the 12-bit CNTR register when a rising or falling edge occurs on the ATIC pin. Capture will only be performed when the ICF flag is cleared.

**TRANSFER CONTROL REGISTER (TRANCR)**

Read/Write

Reset Value: 0000 0001 (01h)

|   |   |   |   |   |   |   |      |
|---|---|---|---|---|---|---|------|
| 7 |   |   |   | 0 |   |   |      |
| 0 | 0 | 0 | 0 | 0 | 0 | 0 | TRAN |

Bits 7:1 Reserved. Forced by hardware to 0.

Bit 0 = **TRAN** *Transfer enable*

This bit is read/write by software, cleared by hardware after each completed transfer and set by hardware after reset.

It allows the value of the DCRx registers to be transferred to the DCRx shadow registers after the next overflow event.

The OPx bits are transferred to the shadow OPx bits in the same way.

## 12-BIT AUTORELOAD TIMER (Cont'd)

Table 14. Register Map and Reset Values

| Address (Hex.) | Register Label                | 7          | 6          | 5          | 4          | 3           | 2           | 1          | 0          |
|----------------|-------------------------------|------------|------------|------------|------------|-------------|-------------|------------|------------|
| 0D             | <b>ATCSR</b><br>Reset Value   | 0          | ICF<br>0   | ICIE<br>0  | CK1<br>0   | CK0<br>0    | OVF<br>0    | OVFIE<br>0 | CMPIE<br>0 |
| 0E             | <b>CNTRH</b><br>Reset Value   | 0          | 0          | 0          | 0          | CNTR11<br>0 | CNTR10<br>0 | CNTR9<br>0 | CNTR8<br>0 |
| 0F             | <b>CNTRL</b><br>Reset Value   | CNTR7<br>0 | CNTR8<br>0 | CNTR7<br>0 | CNTR6<br>0 | CNTR3<br>0  | CNTR2<br>0  | CNTR1<br>0 | CNTR0<br>0 |
| 10             | <b>ATRH</b><br>Reset Value    | 0          | 0          | 0          | 0          | ATR11<br>0  | ATR10<br>0  | ATR9<br>0  | ATR8<br>0  |
| 11             | <b>ATRL</b><br>Reset Value    | ATR7<br>0  | ATR6<br>0  | ATR5<br>0  | ATR4<br>0  | ATR3<br>0   | ATR2<br>0   | ATR1<br>0  | ATR0<br>0  |
| 12             | <b>PWMCR</b><br>Reset Value   | 0          | OE3<br>0   | 0          | OE2<br>0   | 0           | OE1<br>0    | 0          | OE0<br>0   |
| 13             | <b>PWM0CSR</b><br>Reset Value | 0          | 0          | 0          | 0          | 0           | 0           | OP0<br>0   | CMPF0<br>0 |
| 14             | <b>PWM1CSR</b><br>Reset Value | 0          | 0          | 0          | 0          | 0           | 0           | OP1<br>0   | CMPF1<br>0 |
| 15             | <b>PWM2CSR</b><br>Reset Value | 0          | 0          | 0          | 0          | 0           | 0           | OP2<br>0   | CMPF2<br>0 |
| 16             | <b>PWM3CSR</b><br>Reset Value | 0          | 0          | 0          | 0          | 0           | 0           | OP3<br>0   | CMPF3<br>0 |
| 17             | <b>DCR0H</b><br>Reset Value   | 0          | 0          | 0          | 0          | DCR11<br>0  | DCR10<br>0  | DCR9<br>0  | DCR8<br>0  |
| 18             | <b>DCR0L</b><br>Reset Value   | DCR7<br>0  | DCR6<br>0  | DCR5<br>0  | DCR4<br>0  | DCR3<br>0   | DCR2<br>0   | DCR1<br>0  | DCR0<br>0  |
| 19             | <b>DCR1H</b><br>Reset Value   | 0          | 0          | 0          | 0          | DCR11<br>0  | DCR10<br>0  | DCR9<br>0  | DCR8<br>0  |
| 1A             | <b>DCR1L</b><br>Reset Value   | DCR7<br>0  | DCR6<br>0  | DCR5<br>0  | DCR4<br>0  | DCR3<br>0   | DCR2<br>0   | DCR1<br>0  | DCR0<br>0  |
| 1B             | <b>DCR2H</b><br>Reset Value   | 0          | 0          | 0          | 0          | DCR11<br>0  | DCR10<br>0  | DCR9<br>0  | DCR8<br>0  |
| 1C             | <b>DCR2L</b><br>Reset Value   | DCR7<br>0  | DCR6<br>0  | DCR5<br>0  | DCR4<br>0  | DCR3<br>0   | DCR2<br>0   | DCR1<br>0  | DCR0<br>0  |
| 1D             | <b>DCR3H</b><br>Reset Value   | 0          | 0          | 0          | 0          | DCR11<br>0  | DCR10<br>0  | DCR9<br>0  | DCR8<br>0  |
| 1E             | <b>DCR3L</b><br>Reset Value   | DCR7<br>0  | DCR6<br>0  | DCR5<br>0  | DCR4<br>0  | DCR3<br>0   | DCR2<br>0   | DCR1<br>0  | DCR0<br>0  |
| 1F             | <b>ATICRH</b><br>Reset Value  | 0          | 0          | 0          | 0          | ICR11<br>0  | ICR10<br>0  | ICR9<br>0  | ICR8<br>0  |
| 20             | <b>ATICRL</b><br>Reset Value  | ICR7<br>0  | ICR6<br>0  | ICR5<br>0  | ICR4<br>0  | ICR3<br>0   | ICR2<br>0   | ICR1<br>0  | ICR0<br>0  |

## ST7LITE1

---

| Address<br>(Hex.) | Register<br>Label             | 7 | 6 | 5       | 4         | 3         | 2         | 1         | 0         |
|-------------------|-------------------------------|---|---|---------|-----------|-----------|-----------|-----------|-----------|
| 21                | <b>TRANCR</b><br>Reset Value  | 0 | 0 | 0       | 0         | 0         | 0         | 0         | TRAN<br>1 |
| 22                | <b>BREAKCR</b><br>Reset Value | 0 | 0 | BA<br>0 | BPEN<br>0 | PWM3<br>0 | PWM2<br>0 | PWM1<br>0 | PWM0<br>0 |

## 11.3 LITE TIMER 2 (LT2)

### 11.3.1 Introduction

The Lite Timer can be used for general-purpose timing functions. It is based on two free-running 8-bit upcounters, an 8-bit input capture register.

### 11.3.2 Main Features

#### ■ Realtime Clock

- One 8-bit upcounter 1 ms or 2 ms timebase period (@ 8 MHz  $f_{OSC}$ )

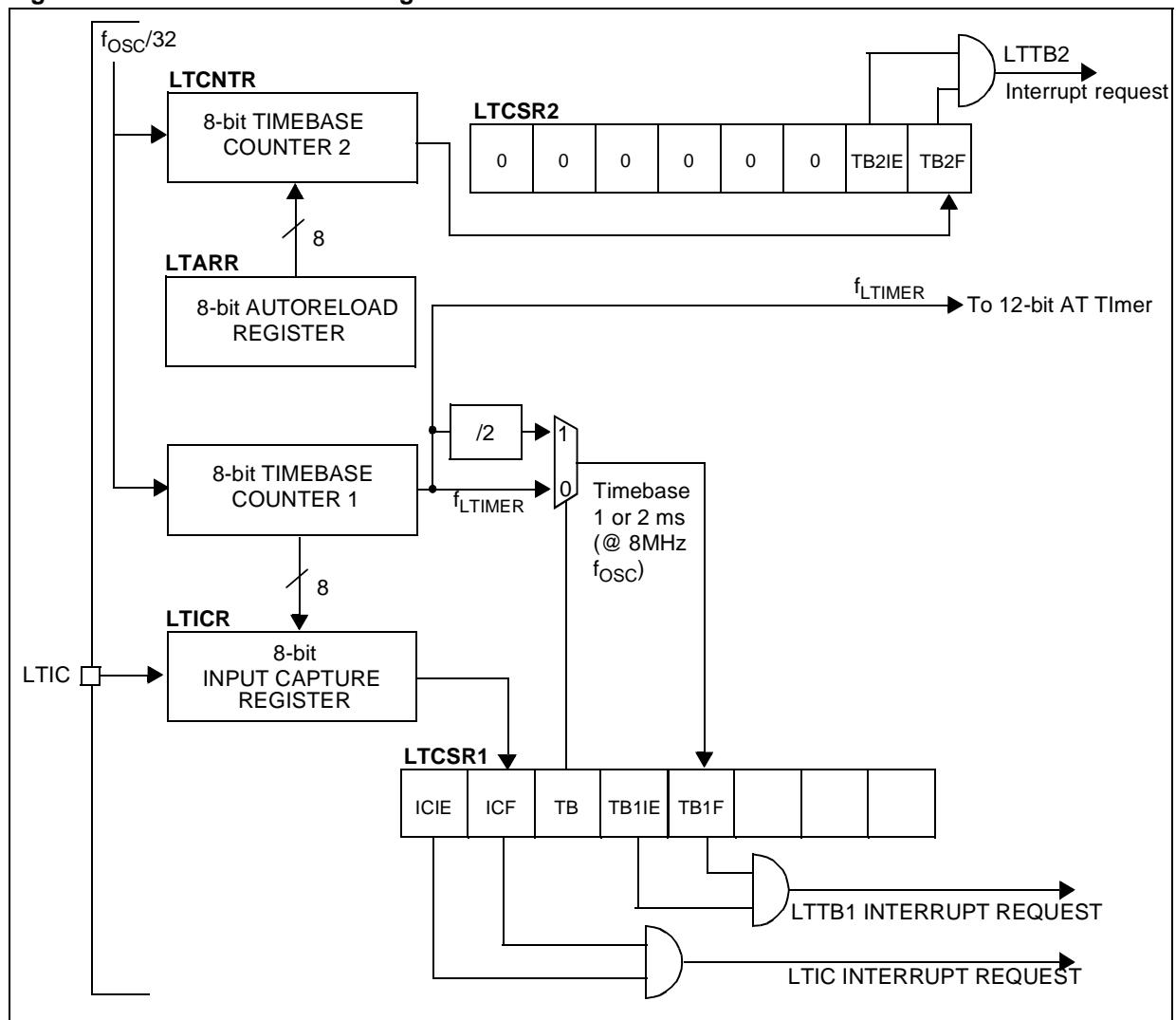
- One 8-bit upcounter with autoreload and programmable timebase period from 4 $\mu$ s to 1.024ms in 4 $\mu$ s increments (@ 8 MHz  $f_{OSC}$ )

- 2 Maskable timebase interrupts

#### ■ Input Capture

- 8-bit input capture register (LTICR)
- Maskable interrupt with wakeup from Halt Mode capability

Figure 40. Lite Timer 2 Block Diagram



LITE TIMER (Cont'd)

11.3.3 Functional Description

11.3.3.1 Timebase Counter 1

The 8-bit value of Counter 1 cannot be read or written by software. After an MCU reset, it starts incrementing from 0 at a frequency of  $f_{OSC}/32$ . An overflow event occurs when the counter rolls over from F9h to 00h. If  $f_{OSC} = 8\text{ MHz}$ , then the time period between two counter overflow events is 1 ms. This period can be doubled by setting the TB bit in the LTCSR1 register.

When Counter 1 overflows, the TB1F bit is set by hardware and an interrupt request is generated if the TB1IE bit is set. The TB1F bit is cleared by software reading the LTCSR1 register.

11.3.3.2 Timebase Counter 2

Counter 2 is an 8-bit autoreload upcounter. It can be read by accessing the LTCNTR register. After an MCU reset, it increments at a frequency of  $f_{OSC}/32$  starting from the value stored in the LTARR register. A counter overflow event occurs when the counter rolls over from FFh to the

LTARR reload value. Software can write a new value at anytime in the LTARR register, this value will be automatically loaded in the counter when the next overflow occurs.

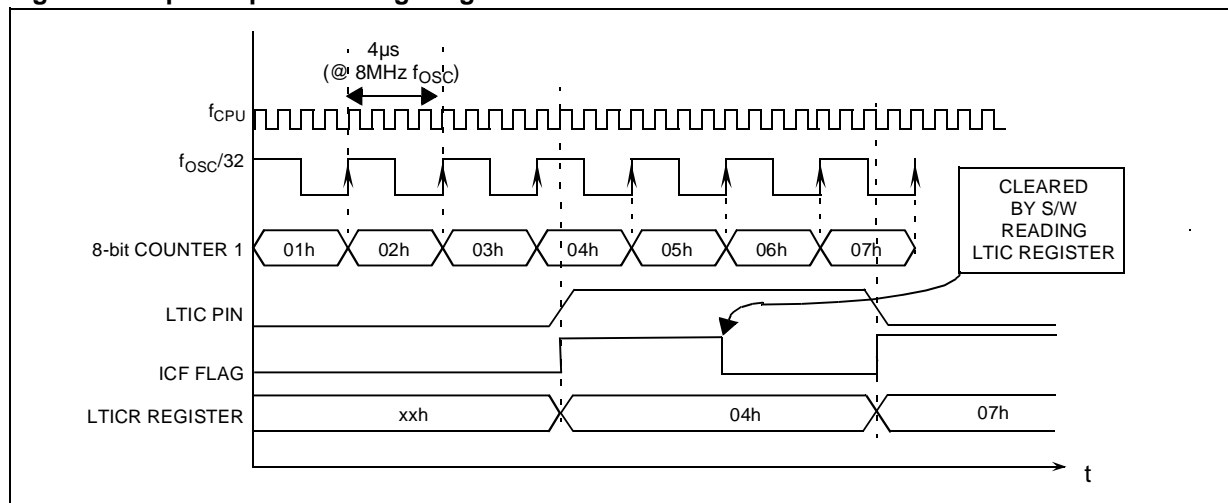
When Counter 2 overflows, the TB2F bit in the LTCSR2 register is set by hardware and an interrupt request is generated if the TB2IE bit is set. The TB2F bit is cleared by software reading the LTCSR2 register.

11.3.3.3 Input Capture

The 8-bit input capture register is used to latch the free-running upcounter (Counter 1) 1 after a rising or falling edge is detected on the ICAP1 pin. When an input capture occurs, the ICF bit is set and the LTICR1 register contains the MSB of Counter 1. An interrupt is generated if the ICIE bit is set. The ICF bit is cleared by reading the LTICR register.

The LTICR is a read-only register and always contains the data from the last input capture. Input capture is inhibited if the ICF bit is set.

Figure 41. Input Capture Timing Diagram.



**LITE TIMER (Cont'd)**

- The opcode for the HALT instruction is 0x8E. To avoid an unexpected HALT instruction due to a program counter failure, it is advised to clear all occurrences of the data value 0x8E from memory. For example, avoid defining a constant in ROM with the value 0x8E.
- As the HALT instruction clears the I bit in the CC register to allow interrupts, the user may choose to clear all pending interrupt bits before executing the HALT instruction. This avoids entering other peripheral interrupt routines after executing the external interrupt routine corresponding to the wake-up event (reset or external interrupt).

**11.3.4 Low Power Modes**

| Mode        | Description   |
|-------------|---|
| SLOW        | No effect on Lite timer (this peripheral is driven directly by $f_{OSC}/32$ ) |
| WAIT        | No effect on Lite timer   |
| ACTIVE-HALT | No effect on Lite timer   |
| HALT        | Lite timer stops counting   |

**11.3.5 Interrupts**

| Interrupt Event  | Event Flag | Enable Control Bit | Exit from Wait | Exit from Active Halt | Exit from Halt |
|------------------|------------|--------------------|----------------|-----------------------|----------------|
| Timebase 1 Event | TB1F       | TB1IE              | Yes            | Yes                   | No             |
| Timebase 2 Event | TB2F       | TB2IE              | Yes            | No                    | No             |
| IC Event         | ICF        | ICIE               | Yes            | No                    | No             |

**Note:** The TBxF and ICF interrupt events are connected to separate interrupt vectors (see Interrupts chapter).

They generate an interrupt if the enable bit is set in the LTCSR1 or LTCSR2 register and the interrupt mask in the CC register is reset (RIM instruction).

**11.3.6 Register Description**

**LITE TIMER CONTROL/STATUS REGISTER 2 (LTCSR2)**

Read / Write  
Reset Value: 0x00 0000 (x0h)

|   |   |   |   |   |   |       |      |
|---|---|---|---|---|---|-------|------|
| 7 |   |   |   |   |   |       | 0    |
| 0 | 0 | 0 | 0 | 0 | 0 | TB2IE | TB2F |

Bits 7:2 = Reserved, must be kept cleared.

Bit 1 = **TB2IE** *Timebase 2 Interrupt enable.*  
This bit is set and cleared by software.  
0: Timebase (TB2) interrupt disabled  
1: Timebase (TB2) interrupt enabled

Bit 0 = **TB2F** *Timebase 2 Interrupt Flag.*  
This bit is set by hardware and cleared by software reading the LTCSR register. Writing to this bit has no effect.  
0: No Counter 2 overflow  
1: A Counter 2 overflow has occurred

**LITE TIMER AUTORELOAD REGISTER (LTARR)**

Read / Write  
Reset Value: 0000 0000 (00h)

|     |     |     |     |     |     |     |     |
|-----|-----|-----|-----|-----|-----|-----|-----|
| 7   |     |     |     |     |     |     | 0   |
| AR7 | AR7 | AR7 | AR7 | AR3 | AR2 | AR1 | AR0 |

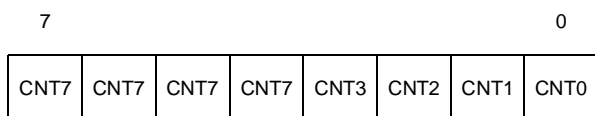
Bits 7:0 = **AR[7:0]** *Counter 2 Reload Value.*  
These bits register is read/write by software. The LTARR value is automatically loaded into Counter 2 (LTCNTR) when an overflow occurs.

**LITE TIMER (Cont'd)**

**LITE TIMER COUNTER 2 (LTCNTR)**

Read only

Reset Value: 0000 0000 (00h)

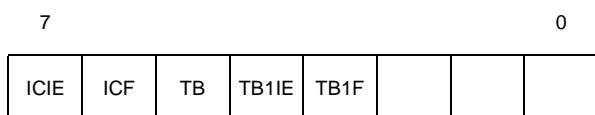


Bits 7:0 = **CNT[7:0]** Counter 2 Reload Value.  
 This register is read by software. The LTARR value is automatically loaded into Counter 2 (LTCNTR) when an overflow occurs.

**LITE TIMER CONTROL/STATUS REGISTER (LTCSR1)**

Read / Write

Reset Value: 0x00 0000 (x0h)



Bit 7 = **ICIE** Interrupt Enable.  
 This bit is set and cleared by software.  
 0: Input Capture (IC) interrupt disabled  
 1: Input Capture (IC) interrupt enabled

Bit 6 = **ICF** Input Capture Flag.  
 This bit is set by hardware and cleared by software by reading the LTICR register. Writing to this bit does not change the bit value.  
 0: No input capture  
 1: An input capture has occurred

**Note:** After an MCU reset, software must initialise the ICF bit by reading the LTICR register

Bit 5 = **TB** Timebase period selection.  
 This bit is set and cleared by software.  
 0: Timebase period =  $t_{OSC} * 8000$  (1ms @ 8 MHz)  
 1: Timebase period =  $t_{OSC} * 16000$  (2ms @ 8 MHz)

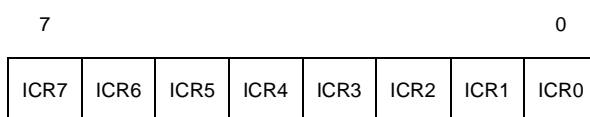
Bit 4 = **TB1IE** Timebase Interrupt enable.  
 This bit is set and cleared by software.  
 0: Timebase (TB1) interrupt disabled  
 1: Timebase (TB1) interrupt enabled

Bit 3 = **TB1F** Timebase Interrupt Flag.  
 This bit is set by hardware and cleared by software reading the LTCSR register. Writing to this bit has no effect.  
 0: No counter overflow  
 1: A counter overflow has occurred

**LITE TIMER INPUT CAPTURE REGISTER (LTICR)**

Read only

Reset Value: 0000 0000 (00h)



Bits 7:0 = **ICR[7:0]** Input Capture Value  
 These bits are read by software and cleared by hardware after a reset. If the ICF bit in the LTCSR is cleared, the value of the 8-bit up-counter will be captured when a rising or falling edge occurs on the LTIC pin.

## LITE TIMER (Cont'd)

Table 15. Lite Timer Register Map and Reset Values

| Address<br>(Hex.) | Register<br>Label            | 7         | 6         | 5         | 4          | 3         | 2         | 1          | 0         |
|-------------------|------------------------------|-----------|-----------|-----------|------------|-----------|-----------|------------|-----------|
| 08                | <b>LTCSR2</b><br>Reset Value | 0         | 0         | 0         | 0          | 0         | 0         | TB2IE<br>0 | TB2F<br>0 |
| 09                | <b>LTARR</b><br>Reset Value  | AR7<br>0  | AR6<br>0  | AR5<br>0  | AR4<br>0   | AR3<br>0  | AR2<br>0  | AR1<br>0   | AR0<br>0  |
| 0A                | <b>LTCNTR</b><br>Reset Value | CNT7<br>0 | CNT6<br>0 | CNT5<br>0 | CNT4<br>0  | CNT3<br>0 | CNT2<br>0 | CNT1<br>0  | CNT0<br>0 |
| 0B                | <b>LTCSR1</b><br>Reset Value | ICIE<br>0 | ICF<br>x  | TB<br>0   | TB1IE<br>0 | TB1F<br>0 | 0         | 0          | 0         |
| 0C                | <b>LTICR</b><br>Reset Value  | ICR7<br>0 | ICR6<br>0 | ICR5<br>0 | ICR4<br>0  | ICR3<br>0 | ICR2<br>0 | ICR1<br>0  | ICR0<br>0 |

### 11.4 SERIAL PERIPHERAL INTERFACE (SPI)

#### 11.4.1 Introduction

The Serial Peripheral Interface (SPI) allows full-duplex, synchronous, serial communication with external devices. An SPI system may consist of a master and one or more slaves or a system in which devices may be either masters or slaves.

#### 11.4.2 Main Features

- Full duplex synchronous transfers (on 3 lines)
- Simplex synchronous transfers (on 2 lines)
- Master or slave operation
- Six master mode frequencies ( $f_{CPU}/4$  max.)
- $f_{CPU}/2$  max. slave mode frequency
- $\overline{SS}$  Management by software or hardware
- Programmable clock polarity and phase
- End of transfer interrupt flag
- Write collision, Master Mode Fault and Overrun flags

#### 11.4.3 General Description

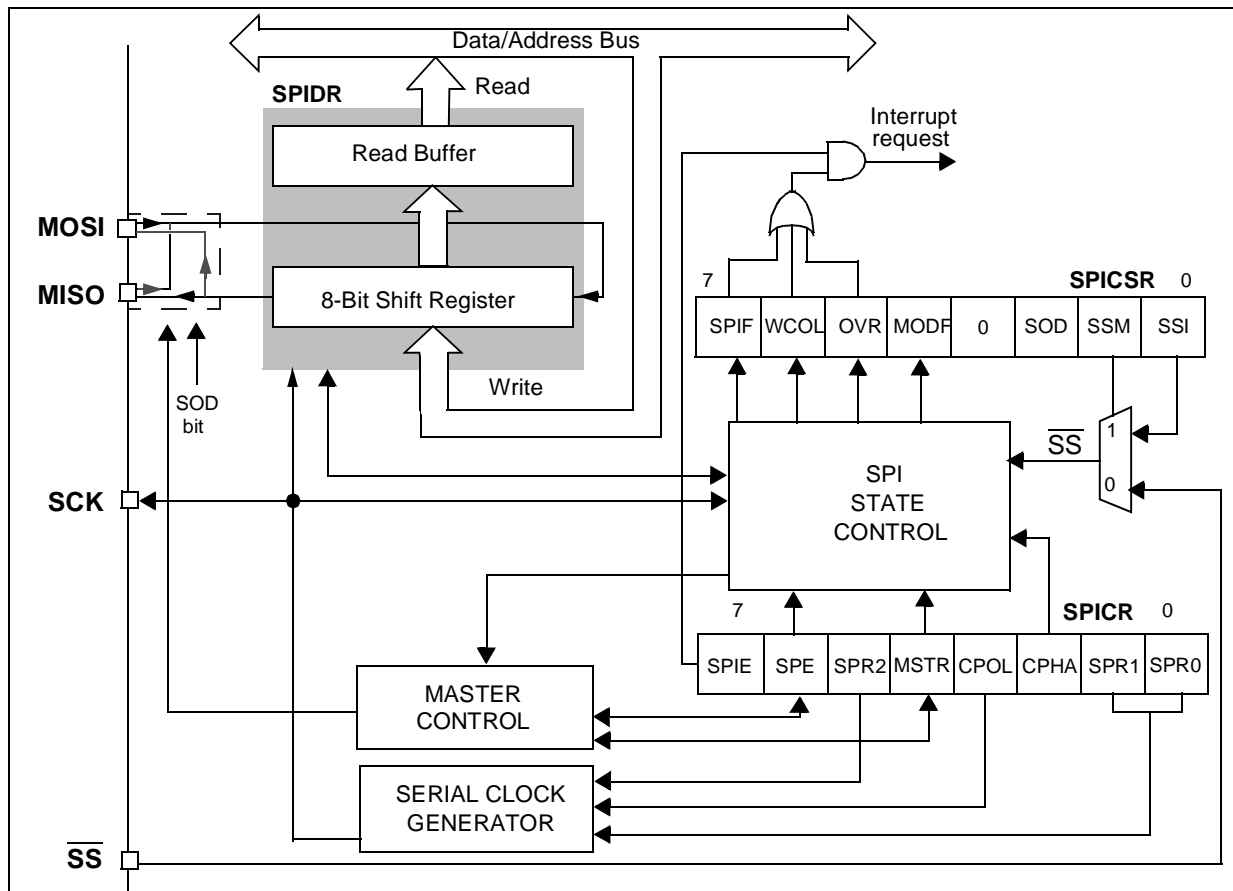
Figure 42 shows the serial peripheral interface (SPI) block diagram. There are 3 registers:

- SPI Control Register (SPICR)
- SPI Control/Status Register (SPICSR)
- SPI Data Register (SPIDR)

The SPI is connected to external devices through 3 pins:

- MISO: Master In / Slave Out data
- MOSI: Master Out / Slave In data
- SCK: Serial Clock out by SPI masters and input by SPI slaves
- $\overline{SS}$ : Slave select:  
This input signal acts as a 'chip select' to let the SPI master communicate with slaves individually and to avoid contention on the data lines. Slave  $\overline{SS}$  inputs can be driven by standard I/O ports on the master Device.

Figure 42. Serial Peripheral Interface Block Diagram



## SERIAL PERIPHERAL INTERFACE (Cont'd)

### 11.4.3.1 Functional Description

A basic example of interconnections between a single master and a single slave is illustrated in Figure 43.

The MOSI pins are connected together and the MISO pins are connected together. In this way data is transferred serially between master and slave (most significant bit first).

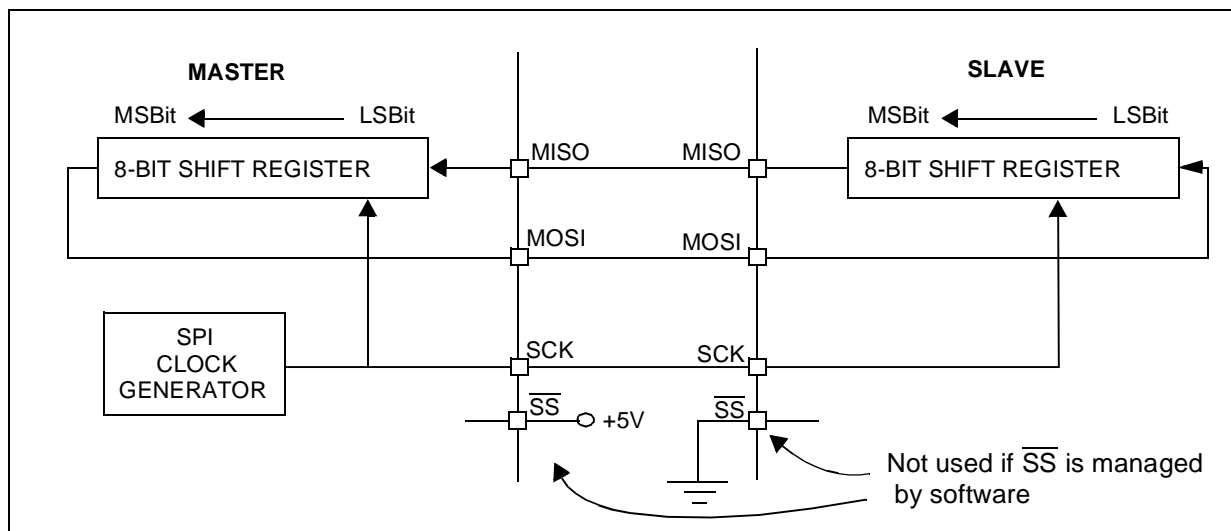
The communication is always initiated by the master. When the master device transmits data to a slave device via MOSI pin, the slave device re-

sponds by sending data to the master device via the MISO pin. This implies full duplex communication with both data out and data in synchronized with the same clock signal (which is provided by the master device via the SCK pin).

To use a single data line, the MISO and MOSI pins must be connected at each node (in this case only simplex communication is possible).

Four possible data/clock timing relationships may be chosen (see Figure 46) but master and slave must be programmed with the same timing mode.

**Figure 43. Single Master/ Single Slave Application**



**SERIAL PERIPHERAL INTERFACE (Cont'd)**

**11.4.3.2 Slave Select Management**

As an alternative to using the  $\overline{SS}$  pin to control the Slave Select signal, the application can choose to manage the Slave Select signal by software. This is configured by the SSM bit in the SPICSR register (see Figure 45)

In software management, the external  $\overline{SS}$  pin is free for other application uses and the internal  $\overline{SS}$  signal level is driven by writing to the SSI bit in the SPICSR register.

**In Master mode:**

- $\overline{SS}$  internal must be held high continuously

**In Slave Mode:**

There are two cases depending on the data/clock timing relationship (see Figure 44):

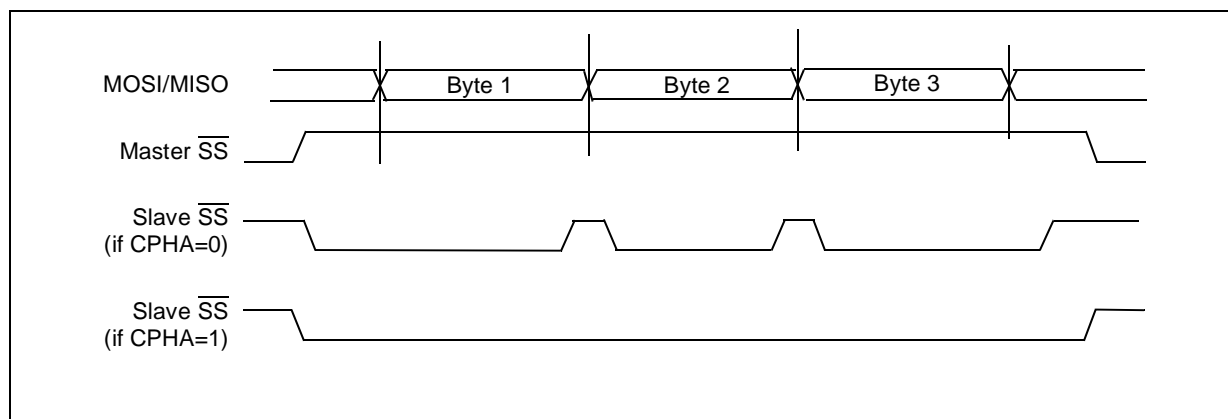
If CPHA=1 (data latched on 2nd clock edge):

- $\overline{SS}$  internal must be held low during the entire transmission. This implies that in single slave applications the  $\overline{SS}$  pin either can be tied to  $V_{SS}$ , or made free for standard I/O by managing the  $\overline{SS}$  function by software (SSM= 1 and SSI=0 in the in the SPICSR register)

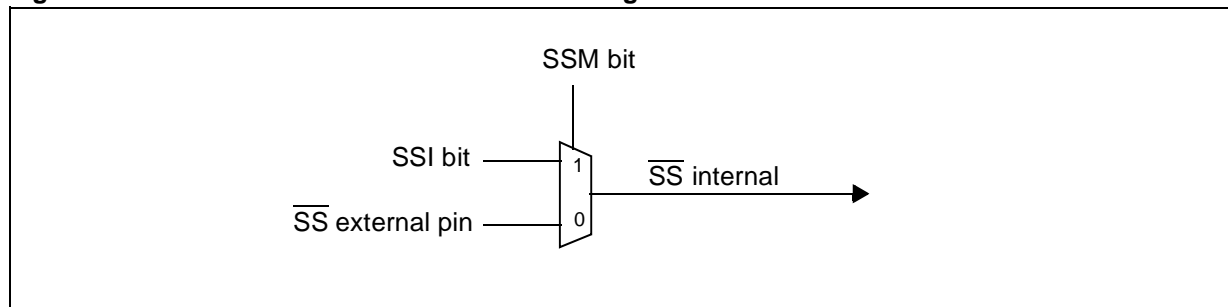
If CPHA=0 (data latched on 1st clock edge):

- $\overline{SS}$  internal must be held low during byte transmission and pulled high between each byte to allow the slave to write to the shift register. If  $\overline{SS}$  is not pulled high, a Write Collision error will occur when the slave writes to the shift register (see Section 11.4.5.3).

**Figure 44. Generic  $\overline{SS}$  Timing Diagram**



**Figure 45. Hardware/Software Slave Select Management**



## SERIAL PERIPHERAL INTERFACE (Cont'd)

### 11.4.3.3 Master Mode Operation

In master mode, the serial clock is output on the SCK pin. The clock frequency, polarity and phase are configured by software (refer to the description of the SPICSR register).

**Note:** The idle state of SCK must correspond to the polarity selected in the SPICSR register (by pulling up SCK if CPOL=1 or pulling down SCK if CPOL=0).

To operate the SPI in master mode, perform the following two steps in order (if the SPICSR register is not written first, the SPICR register setting may be not taken into account):

- Write to the SPICSR register:
  - Select the clock frequency by configuring the SPR[2:0] bits.
  - Select the clock polarity and clock phase by configuring the CPOL and CPHA bits. [Figure 46](#) shows the four possible configurations.
 

**Note:** The slave must have the same CPOL and CPHA settings as the master.
  - Either set the SSM bit and set the SSI bit or clear the SSM bit and tie the SS pin high for the complete byte transmit sequence.
- Write to the SPICR register:
  - Set the MSTR and SPE bits
 

**Note:** MSTR and SPE bits remain set only if SS is high).

The transmit sequence begins when software writes a byte in the SPIDR register.

### 11.4.3.4 Master Mode Transmit Sequence

When software writes to the SPIDR register, the data byte is loaded into the 8-bit shift register and then shifted out serially to the MOSI pin most significant bit first.

When data transfer is complete:

- The SPIF bit is set by hardware
- An interrupt request is generated if the SPIE bit is set and the interrupt mask in the CCR register is cleared.

Clearing the SPIF bit is performed by the following software sequence:

- An access to the SPICSR register while the SPIF bit is set
- A read to the SPIDR register.

**Note:** While the SPIF bit is set, all writes to the SPIDR register are inhibited until the SPICSR register is read.

### 11.4.3.5 Slave Mode Operation

In slave mode, the serial clock is received on the SCK pin from the master device.

To operate the SPI in slave mode:

- Write to the SPICSR register to perform the following actions:
  - Select the clock polarity and clock phase by configuring the CPOL and CPHA bits (see [Figure 46](#)).
 

**Note:** The slave must have the same CPOL and CPHA settings as the master.
  - Manage the  $\overline{SS}$  pin as described in [Section 11.4.3.2](#) and [Figure 44](#). If CPHA=1  $\overline{SS}$  must be held low continuously. If CPHA=0  $\overline{SS}$  must be held low during byte transmission and pulled up between each byte to let the slave write in the shift register.
- Write to the SPICR register to clear the MSTR bit and set the SPE bit to enable the SPI I/O functions.

### 11.4.3.6 Slave Mode Transmit Sequence

When software writes to the SPIDR register, the data byte is loaded into the 8-bit shift register and then shifted out serially to the MISO pin most significant bit first.

The transmit sequence begins when the slave device receives the clock signal and the most significant bit of the data on its MOSI pin.

When data transfer is complete:

- The SPIF bit is set by hardware
- An interrupt request is generated if SPIE bit is set and interrupt mask in the CCR register is cleared.

Clearing the SPIF bit is performed by the following software sequence:

- An access to the SPICSR register while the SPIF bit is set.
- A write or a read to the SPIDR register.

**Notes:** While the SPIF bit is set, all writes to the SPIDR register are inhibited until the SPICSR register is read.

The SPIF bit can be cleared during a second transmission; however, it must be cleared before the second SPIF bit in order to prevent an Overrun condition (see [Section 11.4.5.2](#)).

**SERIAL PERIPHERAL INTERFACE (Cont'd)**

**11.4.4 Clock Phase and Clock Polarity**

Four possible timing relationships may be chosen by software, using the CPOL and CPHA bits (See Figure 46).

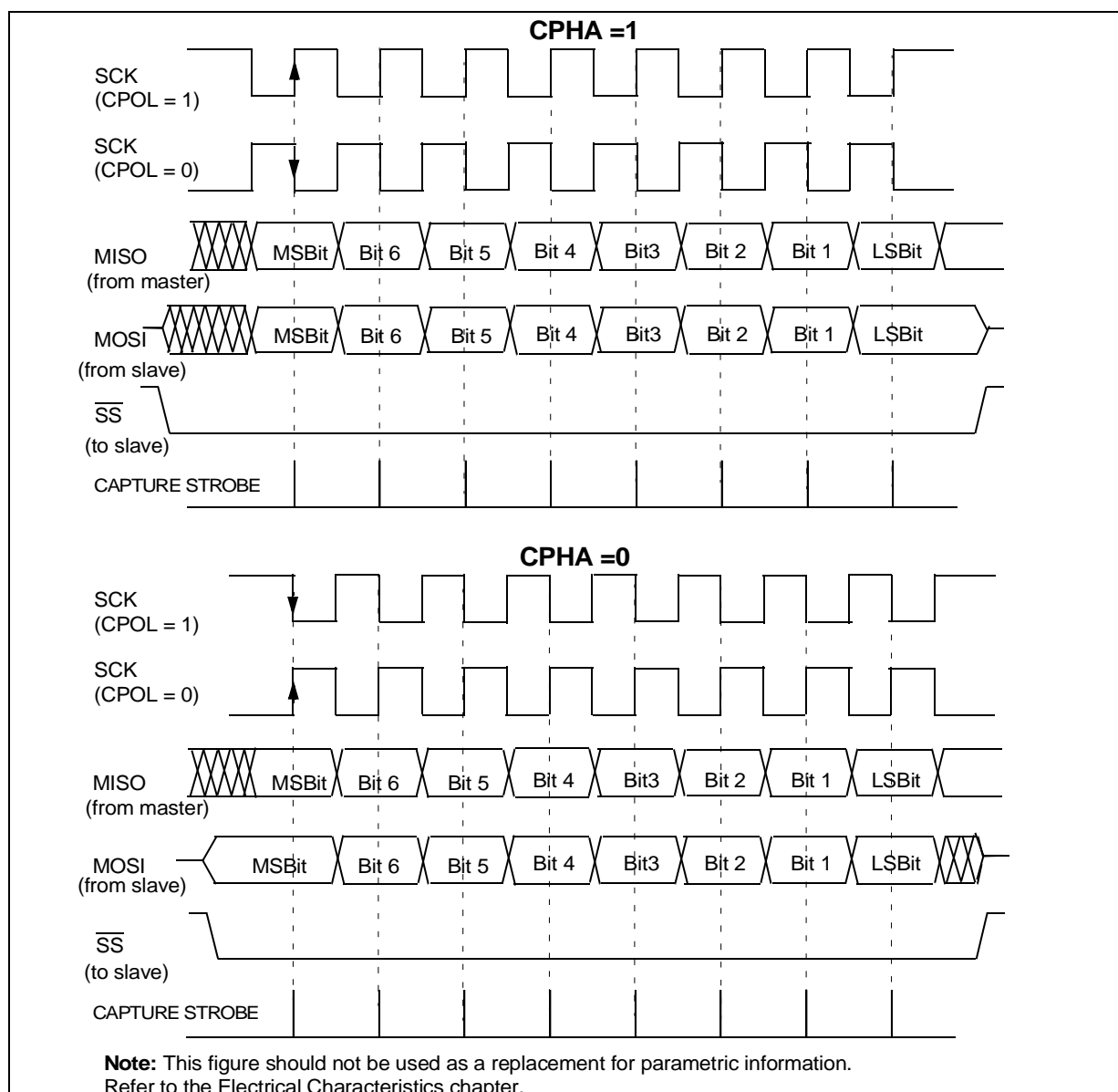
**Note:** The idle state of SCK must correspond to the polarity selected in the SPICSR register (by pulling up SCK if CPOL=1 or pulling down SCK if CPOL=0).

The combination of the CPOL clock polarity and CPHA (clock phase) bits selects the data capture clock edge

Figure 46, shows an SPI transfer with the four combinations of the CPHA and CPOL bits. The diagram may be interpreted as a master or slave timing diagram where the SCK pin, the MISO pin, the MOSI pin are directly connected between the master and the slave device.

**Note:** If CPOL is changed at the communication byte boundaries, the SPI must be disabled by re-setting the SPE bit.

**Figure 46. Data Clock Timing Diagram**



## SERIAL PERIPHERAL INTERFACE (Cont'd)

### 11.4.5 Error Flags

#### 11.4.5.1 Master Mode Fault (MODF)

Master mode fault occurs when the master device has its SS pin pulled low.

When a Master mode fault occurs:

- The MODF bit is set and an SPI interrupt request is generated if the SPIE bit is set.
- The SPE bit is reset. This blocks all output from the Device and disables the SPI peripheral.
- The MSTR bit is reset, thus forcing the Device into slave mode.

Clearing the MODF bit is done through a software sequence:

1. A read access to the SPICSR register while the MODF bit is set.
2. A write to the SPICR register.

**Notes:** To avoid any conflicts in an application with multiple slaves, the SS pin must be pulled high during the MODF bit clearing sequence. The SPE and MSTR bits may be restored to their original state during or after this clearing sequence.

Hardware does not allow the user to set the SPE and MSTR bits while the MODF bit is set except in the MODF bit clearing sequence.

In a slave device, the MODF bit can not be set, but in a multi master configuration the Device can be in slave mode with the MODF bit set.

The MODF bit indicates that there might have been a multi-master conflict and allows software to handle this using an interrupt routine and either perform to a reset or return to an application default state.

#### 11.4.5.2 Overrun Condition (OVR)

An overrun condition occurs, when the master device has sent a data byte and the slave device has not cleared the SPIF bit issued from the previously transmitted byte.

When an Overrun occurs:

- The OVR bit is set and an interrupt request is generated if the SPIE bit is set.

In this case, the receiver buffer contains the byte sent after the SPIF bit was last cleared. A read to the SPIDR register returns this byte. All other bytes are lost.

The OVR bit is cleared by reading the SPICSR register.

#### 11.4.5.3 Write Collision Error (WCOL)

A write collision occurs when the software tries to write to the SPIDR register while a data transfer is taking place with an external device. When this happens, the transfer continues uninterrupted; and the software write will be unsuccessful.

Write collisions can occur both in master and slave mode. See also [Section 11.4.3.2 Slave Select Management](#).

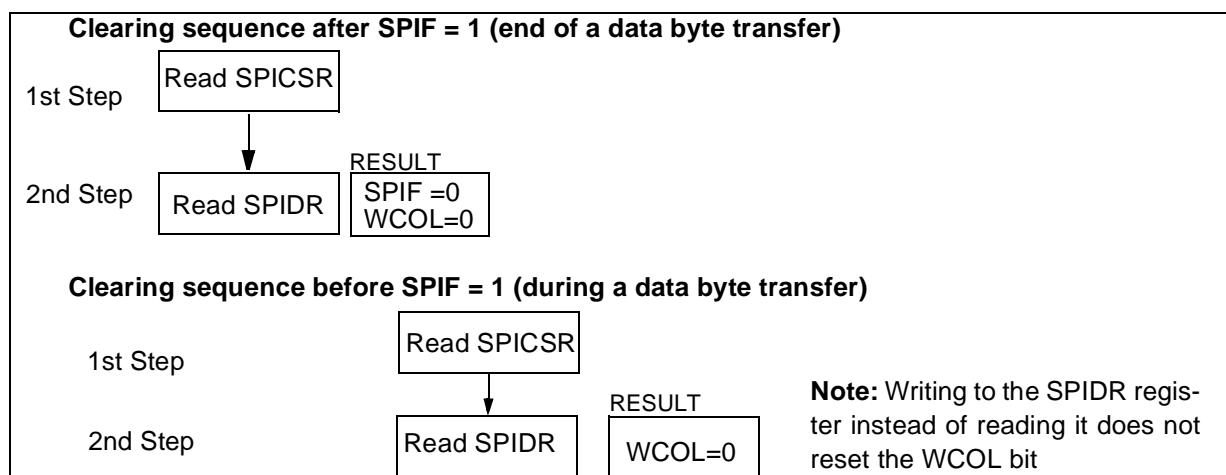
**Note:** a "read collision" will never occur since the received data byte is placed in a buffer in which access is always synchronous with the CPU operation.

The WCOL bit in the SPICSR register is set if a write collision occurs.

No SPI interrupt is generated when the WCOL bit is set (the WCOL bit is a status flag only).

Clearing the WCOL bit is done through a software sequence (see [Figure 47](#)).

**Figure 47. Clearing the WCOL bit (Write Collision Flag) Software Sequence**



**SERIAL PERIPHERAL INTERFACE (Cont'd)**

**11.4.5.4 Single Master and Multimaster Configurations**

There are two types of SPI systems:

- Single Master System
- Multimaster System

**Single Master System**

A typical single master system may be configured, using a device as the master and four devices as slaves (see Figure 48).

The master device selects the individual slave devices by using four pins of a parallel port to control the four SS pins of the slave devices.

The SS pins are pulled high during reset since the master device ports will be forced to be inputs at that time, thus disabling the slave devices.

**Note:** To prevent a bus conflict on the MISO line the master allows only one active slave device during a transmission.

For more security, the slave device may respond to the master with the received data byte. Then the master will receive the previous byte back from the slave device if all MISO and MOSI pins are connected and the slave has not written to its SPIDR register.

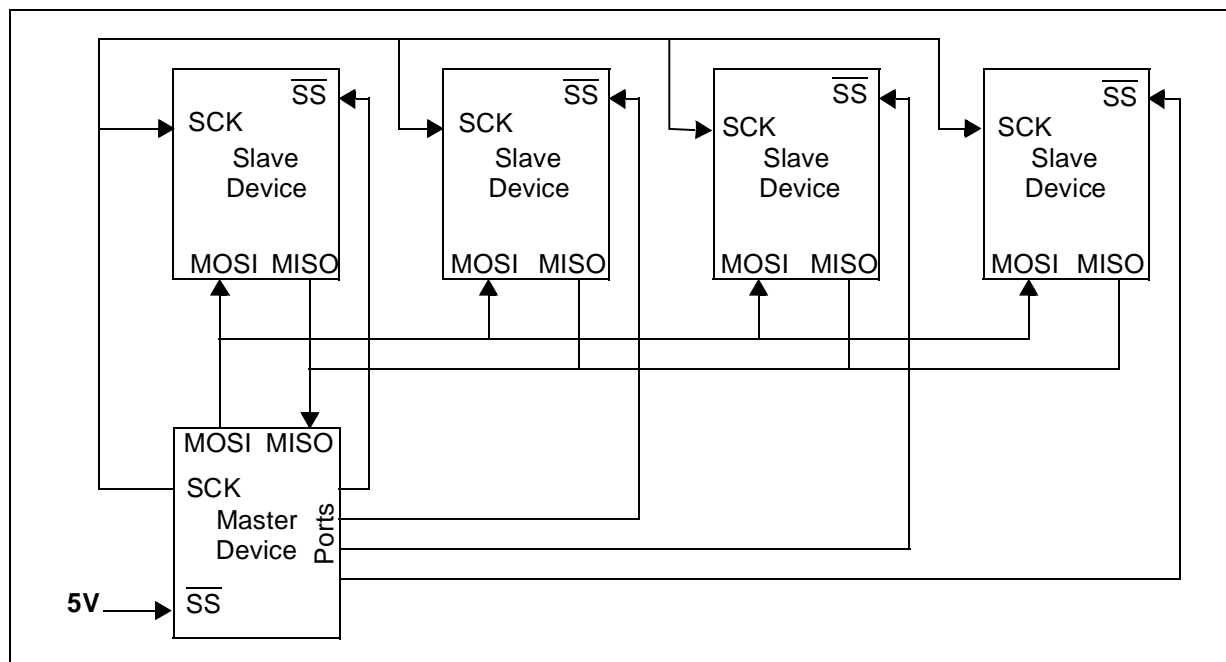
Other transmission security methods can use ports for handshake lines or data bytes with command fields.

**Multi-Master System**

A multi-master system may also be configured by the user. Transfer of master control could be implemented using a handshake method through the I/O ports or by an exchange of code messages through the serial peripheral interface system.

The multi-master system is principally handled by the MSTR bit in the SPICR register and the MODF bit in the SPICSR register.

**Figure 48. Single Master / Multiple Slave Configuration**



## SERIAL PERIPHERAL INTERFACE (Cont'd)

### 11.4.6 Low Power Modes

| Mode | Description   |
|------|---|
| WAIT | No effect on SPI.<br>SPI interrupt events cause the Device to exit from WAIT mode.  |
| HALT | SPI registers are frozen.<br>In HALT mode, the SPI is inactive. SPI operation resumes when the Device is woken up by an interrupt with “exit from HALT mode” capability. The data received is subsequently read from the SPIDR register when the software is running (interrupt vector fetching). If several data are received before the wake-up event, then an overrun error is generated. This error can be detected after the fetch of the interrupt routine that woke up the Device. |

#### 11.4.6.1 Using the SPI to wake-up the Device from Halt mode

In slave configuration, the SPI is able to wake-up the Device from HALT mode through a SPIF interrupt. The data received is subsequently read from the SPIDR register when the software is running (interrupt vector fetch). If multiple data transfers have been performed before software clears the SPIF bit, then the OVR bit is set by hardware.

**Note:** When waking up from Halt mode, if the SPI remains in Slave mode, it is recommended to perform an extra communications cycle to bring the SPI from Halt mode state to normal state. If the SPI exits from Slave mode, it returns to normal state immediately.

**Caution:** The SPI can wake-up the Device from Halt mode only if the Slave Select signal (external

$\overline{SS}$  pin or the SSI bit in the SPICSR register) is low when the Device enters Halt mode. So if Slave selection is configured as external (see [Section 11.4.3.2](#)), make sure the master drives a low level on the  $\overline{SS}$  pin when the slave enters Halt mode.

### 11.4.7 Interrupts

| Interrupt Event           | Event Flag | Enable Control Bit | Exit from Wait | Exit from Halt |
|---------------------------|------------|--------------------|----------------|----------------|
| SPI End of Transfer Event | SPIF       | SPIE               | Yes            | Yes            |
| Master Mode Fault Event   | MODF       |                    | Yes            | No             |
| Overrun Error             | OVR        |                    | Yes            | No             |

**Note:** The SPI interrupt events are connected to the same interrupt vector (see Interrupts chapter). They generate an interrupt if the corresponding Enable Control Bit is set and the interrupt mask in the CC register is reset (RIM instruction).

**SERIAL PERIPHERAL INTERFACE (Cont'd)**

**11.4.8 Register Description**

**CONTROL REGISTER (SPICR)**

Read/Write

Reset Value: 0000 xxxx (0xh)

|      |     |      |      |      |      |      |      |
|------|-----|------|------|------|------|------|------|
| 7    | 0   |      |      |      |      |      |      |
| SPIE | SPE | SPR2 | MSTR | CPOL | CPHA | SPR1 | SPR0 |

Bit 7 = **SPIE** *Serial Peripheral Interrupt Enable*.

This bit is set and cleared by software.

0: Interrupt is inhibited

1: An SPI interrupt is generated whenever an End of Transfer event, Master Mode Fault or Over-run error occurs (SPIF=1, MODF=1 or OVR=1 in the SPICSR register)

Bit 6 = **SPE** *Serial Peripheral Output Enable*.

This bit is set and cleared by software. It is also cleared by hardware when, in master mode,  $\overline{SS}=0$  (see [Section 11.4.5.1 Master Mode Fault \(MODF\)](#)). The SPE bit is cleared by reset, so the SPI peripheral is not initially connected to the external pins.

0: I/O pins free for general purpose I/O

1: SPI I/O pin alternate functions enabled

Bit 5 = **SPR2** *Divider Enable*.

This bit is set and cleared by software and is cleared by reset. It is used with the SPR[1:0] bits to set the baud rate. Refer to [Table 16 SPI Master mode SCK Frequency](#).

0: Divider by 2 enabled

1: Divider by 2 disabled

**Note:** This bit has no effect in slave mode.

Bit 4 = **MSTR** *Master Mode*.

This bit is set and cleared by software. It is also cleared by hardware when, in master mode,  $\overline{SS}=0$  (see [Section 11.4.5.1 Master Mode Fault \(MODF\)](#)).

0: Slave mode

1: Master mode. The function of the SCK pin changes from an input to an output and the functions of the MISO and MOSI pins are reversed.

Bit 3 = **CPOL** *Clock Polarity*.

This bit is set and cleared by software. This bit determines the idle state of the serial Clock. The CPOL bit affects both the master and slave modes.

0: SCK pin has a low level idle state

1: SCK pin has a high level idle state

**Note:** If CPOL is changed at the communication byte boundaries, the SPI must be disabled by re-setting the SPE bit.

Bit 2 = **CPHA** *Clock Phase*.

This bit is set and cleared by software.

0: The first clock transition is the first data capture edge.

1: The second clock transition is the first capture edge.

**Note:** The slave must have the same CPOL and CPHA settings as the master.

Bits 1:0 = **SPR[1:0]** *Serial Clock Frequency*.

These bits are set and cleared by software. Used with the SPR2 bit, they select the baud rate of the SPI serial clock SCK output by the SPI in master mode.

**Note:** These 2 bits have no effect in slave mode.

**Table 16. SPI Master mode SCK Frequency**

| Serial Clock  | SPR2 | SPR1 | SPR0 |
|---------------|------|------|------|
| $f_{CPU}/4$   | 1    | 0    | 0    |
| $f_{CPU}/8$   | 0    | 0    | 0    |
| $f_{CPU}/16$  | 0    | 0    | 1    |
| $f_{CPU}/32$  | 1    | 1    | 0    |
| $f_{CPU}/64$  | 0    | 1    | 0    |
| $f_{CPU}/128$ | 0    | 1    | 1    |

**SERIAL PERIPHERAL INTERFACE (Cont'd)****CONTROL/STATUS REGISTER (SPICSR)**

Read/Write (some bits Read Only)

Reset Value: 0000 0000 (00h)

|      |      |     |      |   |     |     |     |
|------|------|-----|------|---|-----|-----|-----|
| 7    |      |     |      |   |     |     | 0   |
| SPIF | WCOL | OVR | MODF | - | SOD | SSM | SSI |

Bit 7 = **SPIF** *Serial Peripheral Data Transfer Flag (Read only)*.

This bit is set by hardware when a transfer has been completed. An interrupt is generated if SPIE=1 in the SPICR register. It is cleared by a software sequence (an access to the SPICSR register followed by a write or a read to the SPIDR register).

0: Data transfer is in progress or the flag has been cleared.

1: Data transfer between the Device and an external device has been completed.

**Note:** While the SPIF bit is set, all writes to the SPIDR register are inhibited until the SPICSR register is read.

Bit 6 = **WCOL** *Write Collision status (Read only)*.

This bit is set by hardware when a write to the SPIDR register is done during a transmit sequence. It is cleared by a software sequence (see [Figure 47](#)).

0: No write collision occurred

1: A write collision has been detected

Bit 5 = **OVR** *SPI Overrun error (Read only)*.

This bit is set by hardware when the byte currently being received in the shift register is ready to be transferred into the SPIDR register while SPIF = 1 (See [Section 11.4.5.2](#)). An interrupt is generated if SPIE = 1 in SPICSR register. The OVR bit is cleared by software reading the SPICSR register.

0: No overrun error

1: Overrun error detected

Bit 4 = **MODF** *Mode Fault flag (Read only)*.

This bit is set by hardware when the SS pin is pulled low in master mode (see [Section 11.4.5.1 Master Mode Fault \(MODF\)](#)). An SPI interrupt can be generated if SPIE=1 in the SPICSR register. This bit is cleared by a software sequence (An access to the SPICSR register while MODF=1 followed by a write to the SPICR register).

0: No master mode fault detected

1: A fault in master mode has been detected

Bit 3 = Reserved, must be kept cleared.

Bit 2 = **SOD** *SPI Output Disable*.

This bit is set and cleared by software. When set, it disables the alternate function of the SPI output (MOSI in master mode / MISO in slave mode)

0: SPI output enabled (if SPE=1)

1: SPI output disabled

Bit 1 = **SSM** *SS Management*.

This bit is set and cleared by software. When set, it disables the alternate function of the SPI SS pin and uses the SSI bit value instead. See [Section 11.4.3.2 Slave Select Management](#).

0: Hardware management (SS managed by external pin)

1: Software management (internal SS signal controlled by SSI bit. External SS pin free for general-purpose I/O)

Bit 0 = **SSI** *SS Internal Mode*.

This bit is set and cleared by software. It acts as a 'chip select' by controlling the level of the SS slave select signal when the SSM bit is set.

0 : Slave selected

1 : Slave deselected

**DATA I/O REGISTER (SPIDR)**

Read/Write

Reset Value: Undefined

|    |    |    |    |    |    |    |    |
|----|----|----|----|----|----|----|----|
| 7  |    |    |    |    |    |    | 0  |
| D7 | D6 | D5 | D4 | D3 | D2 | D1 | D0 |

The SPIDR register is used to transmit and receive data on the serial bus. In a master device, a write to this register will initiate transmission/reception of another byte.

**Notes:** During the last clock cycle the SPIF bit is set, a copy of the received data byte in the shift register is moved to a buffer. When the user reads the serial peripheral data I/O register, the buffer is actually being read.

While the SPIF bit is set, all writes to the SPIDR register are inhibited until the SPICSR register is read.

**Warning:** A write to the SPIDR register places data directly into the shift register for transmission.

A read to the SPIDR register returns the value located in the buffer and not the content of the shift register (see [Figure 42](#)).

**Table 17. SPI Register Map and Reset Values**

| Address (Hex.) | Register Label               | 7         | 6         | 5         | 4         | 3         | 2         | 1         | 0         |
|----------------|------------------------------|-----------|-----------|-----------|-----------|-----------|-----------|-----------|-----------|
| 0031h          | <b>SPIDR</b><br>Reset Value  | MSB<br>x  | x         | x         | x         | x         | x         | x         | LSB<br>x  |
| 0032h          | <b>SPICR</b><br>Reset Value  | SPIE<br>0 | SPE<br>0  | SPR2<br>0 | MSTR<br>0 | CPOL<br>x | CPHA<br>x | SPR1<br>x | SPR0<br>x |
| 0033h          | <b>SPICSR</b><br>Reset Value | SPIF<br>0 | WCOL<br>0 | OVR<br>0  | MODF<br>0 | 0         | SOD<br>0  | SSM<br>0  | SSI<br>0  |

## 11.5 10-BIT A/D CONVERTER (ADC)

### 11.5.1 Introduction

The on-chip Analog to Digital Converter (ADC) peripheral is a 10-bit, successive approximation converter with internal sample and hold circuitry. This peripheral has up to 7 multiplexed analog input channels (refer to device pin out description) that allow the peripheral to convert the analog voltage levels from up to 7 different sources.

The result of the conversion is stored in a 10-bit Data Register. The A/D converter is controlled through a Control/Status Register.

### 11.5.2 Main Features

- 10-bit conversion
- Up to 7 channels with multiplexed input
- Linear successive approximation

- Data register (DR) which contains the results
- Conversion complete status flag
- On/off bit (to reduce consumption)

The block diagram is shown in [Figure 49](#).

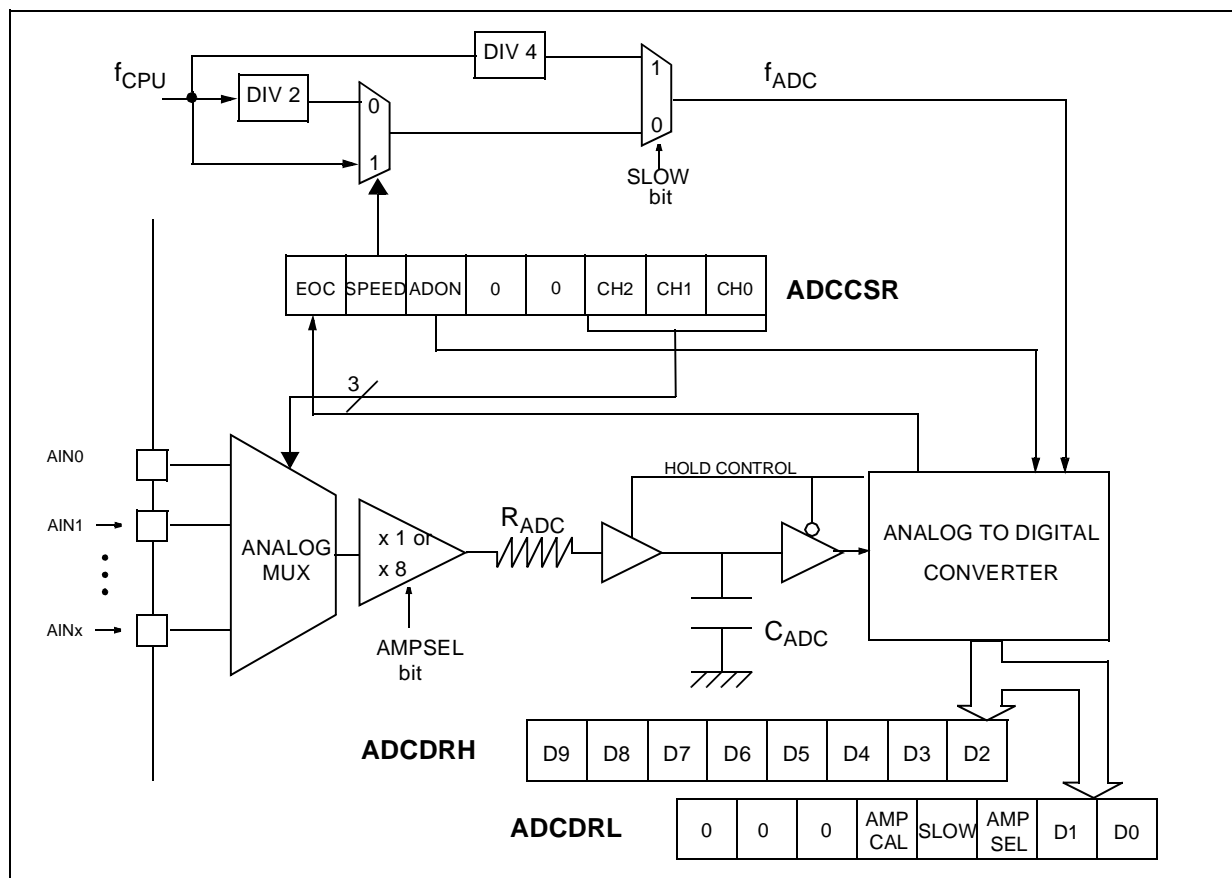
### 11.5.3 Functional Description

#### 11.5.3.1 Analog Power Supply

$V_{DDA}$  and  $V_{SSA}$  are the high and low level reference voltage pins. In some devices (refer to device pin out description) they are internally connected to the  $V_{DD}$  and  $V_{SS}$  pins.

Conversion accuracy may therefore be impacted by voltage drops and noise in the event of heavily loaded or badly decoupled power supply lines.

**Figure 49. ADC Block Diagram**



**10-BIT A/D CONVERTER (ADC) (Cont'd)**

**11.5.3.2 Input Voltage Amplifier**

The input voltage can be amplified by a factor of 8 by enabling the AMPSEL bit in the ADCDRL register.

When the amplifier is enabled, the input range is 0V to  $V_{DD}/8$ .

For example, if  $V_{DD} = 5V$ , then the ADC can convert voltages in the range 0V to 430mV with an ideal resolution of 0.6mV (equivalent to 13-bit resolution with reference to a  $V_{SS}$  to  $V_{DD}$  range).

For more details, refer to the Electrical characteristics section.

**Note:** The amplifier is switched on by the ADON bit in the ADCCSR register, so no additional start-up time is required when the amplifier is selected by the AMPSEL bit.

**11.5.3.3 Digital A/D Conversion Result**

The conversion is monotonic, meaning that the result never decreases if the analog input does not and never increases if the analog input does not.

If the input voltage ( $V_{AIN}$ ) is greater than  $V_{DDA}$  (high-level voltage reference) then the conversion result is FFh in the ADCDRH register and 03h in the ADCDRL register (without overflow indication).

If the input voltage ( $V_{AIN}$ ) is lower than  $V_{SSA}$  (low-level voltage reference) then the conversion result in the ADCDRH and ADCDRL registers is 00 00h.

The A/D converter is linear and the digital result of the conversion is stored in the ADCDRH and ADCDRL registers. The accuracy of the conversion is described in the Electrical Characteristics Section.

$R_{AIN}$  is the maximum recommended impedance for an analog input signal. If the impedance is too high, this will result in a loss of accuracy due to leakage and sampling not being completed in the allotted time.

**11.5.3.4 A/D Conversion**

The analog input ports must be configured as input, no pull-up, no interrupt. Refer to the «I/O ports» chapter. Using these pins as analog inputs does not affect the ability of the port to be read as a logic input.

In the ADCCSR register:

- Select the CS[2:0] bits to assign the analog channel to convert.

**ADC Conversion mode**

In the ADCCSR register:

Set the ADON bit to enable the A/D converter and to start the conversion. From this time on, the ADC performs a continuous conversion of the selected channel.

When a conversion is complete:

- The EOC bit is set by hardware.
- The result is in the ADCDR registers.

A read to the ADCDRH resets the EOC bit.

To read the 10 bits, perform the following steps:

1. Poll EOC bit
2. Read ADCDRL
3. Read ADCDRH. This clears EOC automatically.

To read only 8 bits, perform the following steps:

1. Poll EOC bit
2. Read ADCDRH. This clears EOC automatically.

**11.5.4 Low Power Modes**

**Note:** The A/D converter may be disabled by resetting the ADON bit. This feature allows reduced power consumption when no conversion is needed and between single shot conversions.

| Mode | Description   |
|------|---|
| WAIT | No effect on A/D Converter  |
| HALT | A/D Converter disabled.<br>After wakeup from Halt mode, the A/D Converter requires a stabilization time $t_{STAB}$ (see Electrical Characteristics) before accurate conversions can be performed. |

**11.5.5 Interrupts**

None.

**10-BIT A/D CONVERTER (ADC) (Cont'd)****11.5.6 Register Description****CONTROL/STATUS REGISTER (ADCCSR)**

Read/Write (Except bit 7 read only)

Reset Value: 0000 0000 (00h)

|     |       |      |   |     |     |     |     |
|-----|-------|------|---|-----|-----|-----|-----|
| 7   |       |      |   |     |     |     | 0   |
| EOC | SPEED | ADON | 0 | CH3 | CH2 | CH1 | CH0 |

**Bit 7 = EOC** *End of Conversion*

This bit is set by hardware. It is cleared by software reading the ADCDRH register.

0: Conversion is not complete

1: Conversion complete

**Bit 6 = SPEED** *ADC clock selection*

This bit is set and cleared by software. It is used together with the SLOW bit to configure the ADC clock speed. Refer to the table in the SLOW bit description.

**Bit 5 = ADON** *A/D Converter on*

This bit is set and cleared by software.

0: A/D converter and amplifier are switched off

1: A/D converter and amplifier are switched on

Bit 4:3 = **Reserved**. Must be kept cleared.**Bit 2:0 = CH[2:0]** *Channel Selection*

These bits are set and cleared by software. They select the analog input to convert.

| Channel Pin* | CH2 | CH1 | CH0 |
|--------------|-----|-----|-----|
| AIN0         | 0   | 0   | 0   |
| AIN1         | 0   | 0   | 1   |
| AIN2         | 0   | 1   | 0   |
| AIN3         | 0   | 1   | 1   |
| AIN4         | 1   | 0   | 0   |
| AIN5         | 1   | 0   | 1   |
| AIN6         | 1   | 1   | 0   |

\*The number of channels is device dependent. Refer to the device pinout description.

**DATA REGISTER HIGH (ADCDRH)**

Read Only

Reset Value: xxxx xxxx (xxh)

|    |    |    |    |    |    |    |    |
|----|----|----|----|----|----|----|----|
| 7  |    |    |    |    |    |    | 0  |
| D9 | D8 | D7 | D6 | D5 | D4 | D3 | D2 |

Bit 7:0 = **D[9:2]** *MSB of Analog Converted Value***AMP CONTROL/DATA REGISTER LOW (ADCURL)**

Read/Write

Reset Value: 0000 00xx (0xh)

|   |   |   |            |      |             |    |    |
|---|---|---|------------|------|-------------|----|----|
| 7 |   |   |            |      |             |    | 0  |
| 0 | 0 | 0 | AMP<br>CAL | SLOW | AMP-<br>SEL | D1 | D0 |

Bit 7:5 = **Reserved**. Forced by hardware to 0.**Bit 4 = AMPCAL** *Amplifier Calibration Bit*

This bit is set and cleared by software.

0: Calibration off

1: Calibration on. The input voltage of the amp is set to 0V.

**Bit 3 = SLOW** *Slow mode*

This bit is set and cleared by software. It is used together with the SPEED bit to configure the ADC clock speed as shown on the table below.

| $f_{ADC}$   | SLOW | SPEED |
|-------------|------|-------|
| $f_{CPU}/2$ | 0    | 0     |
| $f_{CPU}$   | 0    | 1     |
| $f_{CPU}/4$ | 1    | x     |

**Bit 2 = AMPSEL** *Amplifier Selection Bit*

This bit is set and cleared by software.

0: Amplifier is not selected

1: Amplifier is selected

**Note:** When AMPSEL=1 it is mandatory that  $f_{ADC}$  be less than or equal to 2 MHz.Bit 1:0 = **D[1:0]** *LSB of Analog Converted Value*

**Table 18. ADC Register Map and Reset Values**

| Address<br>(Hex.) | Register<br>Label            | 7        | 6          | 5         | 4           | 3         | 2           | 1        | 0        |
|-------------------|------------------------------|----------|------------|-----------|-------------|-----------|-------------|----------|----------|
| 0034h             | <b>ADCCSR</b><br>Reset Value | EOC<br>0 | SPEED<br>0 | ADON<br>0 | 0<br>0      | 0<br>0    | CH2<br>0    | CH1<br>0 | CH0<br>0 |
| 0035h             | <b>ADCDRH</b><br>Reset Value | D9<br>x  | D8<br>x    | D7<br>x   | D6<br>x     | D5<br>x   | D4<br>x     | D3<br>x  | D2<br>x  |
| 0036h             | <b>ADCRL</b><br>Reset Value  | 0<br>0   | 0<br>0     | 0<br>0    | AMPCAL<br>0 | SLOW<br>0 | AMPSEL<br>0 | D1<br>x  | D0<br>x  |

## 12 INSTRUCTION SET

### 12.1 ST7 ADDRESSING MODES

The ST7 Core features 17 different addressing modes which can be classified in 7 main groups:

| Addressing Mode | Example         |
|-----------------|-----------------|
| Inherent        | nop             |
| Immediate       | ld A,#\$55      |
| Direct          | ld A,\$55       |
| Indexed         | ld A,(\$55,X)   |
| Indirect        | ld A,([\$55],X) |
| Relative        | jrne loop       |
| Bit operation   | bset byte,#5    |

The ST7 Instruction set is designed to minimize the number of bytes required per instruction: To do

so, most of the addressing modes may be subdivided in two sub-modes called long and short:

- Long addressing mode is more powerful because it can use the full 64 Kbyte address space, however it uses more bytes and more CPU cycles.
- Short addressing mode is less powerful because it can generally only access page zero (0000h - 00FFh range), but the instruction size is more compact, and faster. All memory to memory instructions use short addressing modes only (CLR, CPL, NEG, BSET, BRES, BTJT, BTJF, INC, DEC, RLC, RRC, SLL, SRL, SRA, SWAP)

The ST7 Assembler optimizes the use of long and short addressing modes.

**Table 19. ST7 Addressing Mode Overview**

| Mode      |          | Syntax      | Destination/<br>Source | Pointer<br>Address<br>(Hex.) | Pointer<br>Size<br>(Hex.) | Length<br>(Bytes)                              |     |
|-----------|----------|-------------|------------------------|------------------------------|---------------------------|--|-----|
| Inherent  |          | nop         |                        |                              |                           | + 0  |     |
| Immediate |          | ld A,#\$55  |                        |                              |                           | + 1  |     |
| Short     | Direct   | ld A,\$10   | 00..FF                 |                              |                           | + 1  |     |
| Long      | Direct   | ld A,\$1000 | 0000..FFFF             |                              |                           | + 2  |     |
| No Offset | Direct   | Indexed     | ld A,(X)               | 00..FF                       |                           | + 0 (with X register)<br>+ 1 (with Y register) |     |
| Short     | Direct   | Indexed     | ld A,(\$10,X)          | 00..1FE                      |                           | + 1  |     |
| Long      | Direct   | Indexed     | ld A,(\$1000,X)        | 0000..FFFF                   |                           | + 2  |     |
| Short     | Indirect |             | ld A,[\$10]            | 00..FF                       | 00..FF                    | byte   | + 2 |
| Long      | Indirect |             | ld A,[\$10.w]          | 0000..FFFF                   | 00..FF                    | word   | + 2 |
| Short     | Indirect | Indexed     | ld A,([\$10],X)        | 00..1FE                      | 00..FF                    | byte   | + 2 |
| Long      | Indirect | Indexed     | ld A,([\$10.w],X)      | 0000..FFFF                   | 00..FF                    | word   | + 2 |
| Relative  | Direct   |             | jrne loop              | PC-128/PC+127 <sup>1)</sup>  |                           | + 1  |     |
| Relative  | Indirect |             | jrne [\$10]            | PC-128/PC+127 <sup>1)</sup>  | 00..FF                    | byte   | + 2 |
| Bit       | Direct   |             | bset \$10,#7           | 00..FF                       |                           | + 1  |     |
| Bit       | Indirect |             | bset [\$10],#7         | 00..FF                       | 00..FF                    | byte   | + 2 |
| Bit       | Direct   | Relative    | btjt \$10,#7,skip      | 00..FF                       |                           | + 2  |     |
| Bit       | Indirect | Relative    | btjt [\$10],#7,skip    | 00..FF                       | 00..FF                    | byte   | + 3 |

**Note 1.** At the time the instruction is executed, the Program Counter (PC) points to the instruction following JRxx.

**ST7 ADDRESSING MODES (Cont'd)****12.1.1 Inherent**

All Inherent instructions consist of a single byte. The opcode fully specifies all the required information for the CPU to process the operation.

| Inherent Instruction    | Function                            |
|-------------------------|-------------------------------------|
| NOP                     | No operation                        |
| TRAP                    | S/W Interrupt                       |
| WFI                     | Wait For Interrupt (Low Power Mode) |
| HALT                    | Halt Oscillator (Lowest Power Mode) |
| RET                     | Sub-routine Return                  |
| IRET                    | Interrupt Sub-routine Return        |
| SIM                     | Set Interrupt Mask                  |
| RIM                     | Reset Interrupt Mask                |
| SCF                     | Set Carry Flag                      |
| RCF                     | Reset Carry Flag                    |
| RSP                     | Reset Stack Pointer                 |
| LD                      | Load                                |
| CLR                     | Clear                               |
| PUSH/POP                | Push/Pop to/from the stack          |
| INC/DEC                 | Increment/Decrement                 |
| TNZ                     | Test Negative or Zero               |
| CPL, NEG                | 1 or 2 Complement                   |
| MUL                     | Byte Multiplication                 |
| SLL, SRL, SRA, RLC, RRC | Shift and Rotate Operations         |
| SWAP                    | Swap Nibbles                        |

**12.1.2 Immediate**

Immediate instructions have two bytes, the first byte contains the opcode, the second byte contains the operand value.

| Immediate Instruction | Function              |
|-----------------------|-----------------------|
| LD                    | Load                  |
| CP                    | Compare               |
| BCP                   | Bit Compare           |
| AND, OR, XOR          | Logical Operations    |
| ADC, ADD, SUB, SBC    | Arithmetic Operations |

**12.1.3 Direct**

In Direct instructions, the operands are referenced by their memory address.

The direct addressing mode consists of two sub-modes:

**Direct (short)**

The address is a byte, thus requires only one byte after the opcode, but only allows 00 - FF addressing space.

**Direct (long)**

The address is a word, thus allowing 64 Kbyte addressing space, but requires 2 bytes after the opcode.

**12.1.4 Indexed (No Offset, Short, Long)**

In this mode, the operand is referenced by its memory address, which is defined by the unsigned addition of an index register (X or Y) with an offset.

The indirect addressing mode consists of three sub-modes:

**Indexed (No Offset)**

There is no offset, (no extra byte after the opcode), and allows 00 - FF addressing space.

**Indexed (Short)**

The offset is a byte, thus requires only one byte after the opcode and allows 00 - 1FE addressing space.

**Indexed (long)**

The offset is a word, thus allowing 64 Kbyte addressing space and requires 2 bytes after the opcode.

**12.1.5 Indirect (Short, Long)**

The required data byte to do the operation is found by its memory address, located in memory (pointer).

The pointer address follows the opcode. The indirect addressing mode consists of two sub-modes:

**Indirect (short)**

The pointer address is a byte, the pointer size is a byte, thus allowing 00 - FF addressing space, and requires 1 byte after the opcode.

**Indirect (long)**

The pointer address is a byte, the pointer size is a word, thus allowing 64 Kbyte addressing space, and requires 1 byte after the opcode.

**ST7 ADDRESSING MODES (Cont'd)****12.1.6 Indirect Indexed (Short, Long)**

This is a combination of indirect and short indexed addressing modes. The operand is referenced by its memory address, which is defined by the unsigned addition of an index register value (X or Y) with a pointer value located in memory. The pointer address follows the opcode.

The indirect indexed addressing mode consists of two sub-modes:

**Indirect Indexed (Short)**

The pointer address is a byte, the pointer size is a byte, thus allowing 00 - 1FE addressing space, and requires 1 byte after the opcode.

**Indirect Indexed (Long)**

The pointer address is a byte, the pointer size is a word, thus allowing 64 Kbyte addressing space, and requires 1 byte after the opcode.

**Table 20. Instructions Supporting Direct, Indexed, Indirect and Indirect Indexed Addressing Modes**

| Long and Short Instructions | Function                                   |
|-----------------------------|--|
| LD                          | Load                                       |
| CP                          | Compare                                    |
| AND, OR, XOR                | Logical Operations                         |
| ADC, ADD, SUB, SBC          | Arithmetic Addition/subtraction operations |
| BCP                         | Bit Compare                                |

| Short Instructions Only | Function                     |
|-------------------------|------------------------------|
| CLR                     | Clear                        |
| INC, DEC                | Increment/Decrement          |
| TNZ                     | Test Negative or Zero        |
| CPL, NEG                | 1 or 2 Complement            |
| BSET, BRES              | Bit Operations               |
| BTJT, BTJF              | Bit Test and Jump Operations |
| SLL, SRL, SRA, RLC, RRC | Shift and Rotate Operations  |

|          |                         |
|----------|-------------------------|
| SWAP     | Swap Nibbles            |
| CALL, JP | Call or Jump subroutine |

**12.1.7 Relative Mode (Direct, Indirect)**

This addressing mode is used to modify the PC register value by adding an 8-bit signed offset to it.

| Available Relative Direct/Indirect Instructions | Function         |
|---|------------------|
| JRxx  | Conditional Jump |
| CALLR   | Call Relative    |

The relative addressing mode consists of two sub-modes:

**Relative (Direct)**

The offset follows the opcode.

**Relative (Indirect)**

The offset is defined in memory, of which the address follows the opcode.

### 12.2 INSTRUCTION GROUPS

The ST7 family devices use an Instruction Set consisting of 63 instructions. The instructions may be subdivided into 13 main groups as illustrated in the following table:

|                                  |      |      |      |      |      |       |     |     |
|----------------------------------|------|------|------|------|------|-------|-----|-----|
| Load and Transfer                | LD   | CLR  |      |      |      |       |     |     |
| Stack operation                  | PUSH | POP  | RSP  |      |      |       |     |     |
| Increment/Decrement              | INC  | DEC  |      |      |      |       |     |     |
| Compare and Tests                | CP   | TNZ  | BCP  |      |      |       |     |     |
| Logical operations               | AND  | OR   | XOR  | CPL  | NEG  |       |     |     |
| Bit Operation                    | BSET | BRES |      |      |      |       |     |     |
| Conditional Bit Test and Branch  | BTJT | BTJF |      |      |      |       |     |     |
| Arithmetic operations            | ADC  | ADD  | SUB  | SBC  | MUL  |       |     |     |
| Shift and Rotates                | SLL  | SRL  | SRA  | RLC  | RRC  | SWAP  | SLA |     |
| Unconditional Jump or Call       | JRA  | JRT  | JRF  | JP   | CALL | CALLR | NOP | RET |
| Conditional Branch               | JRxx |      |      |      |      |       |     |     |
| Interrupt management             | TRAP | WFI  | HALT | IRET |      |       |     |     |
| Condition Code Flag modification | SIM  | RIM  | SCF  | RCF  |      |       |     |     |

#### Using a pre-byte

The instructions are described with one to four bytes.

In order to extend the number of available opcodes for an 8-bit CPU (256 opcodes), three different prebyte opcodes are defined. These prebytes modify the meaning of the instruction they precede.

The whole instruction becomes:

- PC-2 End of previous instruction
- PC-1 Prebyte
- PC Opcode
- PC+1 Additional word (0 to 2) according to the number of bytes required to compute the effective address

These prebytes enable instruction in Y as well as indirect addressing modes to be implemented. They precede the opcode of the instruction in X or the instruction using direct addressing mode. The prebytes are:

- PDY 90 Replace an X based instruction using immediate, direct, indexed, or inherent addressing mode by a Y one.
- PIX 92 Replace an instruction using direct, direct bit, or direct relative addressing mode to an instruction using the corresponding indirect addressing mode. It also changes an instruction using X indexed addressing mode to an instruction using indirect X indexed addressing mode.
- PIY 91 Replace an instruction using X indirect indexed addressing mode by a Y one.

## INSTRUCTION GROUPS (Cont'd)

| Mnemo | Description                | Function/Example    | Dst    | Src | H | I | N | Z | C |
|-------|----------------------------|---------------------|--------|-----|---|---|---|---|---|
| ADC   | Add with Carry             | $A = A + M + C$     | A      | M   | H |   | N | Z | C |
| ADD   | Addition                   | $A = A + M$         | A      | M   | H |   | N | Z | C |
| AND   | Logical And                | $A = A . M$         | A      | M   |   |   | N | Z |   |
| BCP   | Bit compare A, Memory      | tst (A . M)         | A      | M   |   |   | N | Z |   |
| BRES  | Bit Reset                  | bres Byte, #3       | M      |     |   |   |   |   |   |
| BSET  | Bit Set                    | bset Byte, #3       | M      |     |   |   |   |   |   |
| BTJF  | Jump if bit is false (0)   | btjf Byte, #3, Jmp1 | M      |     |   |   |   |   | C |
| BTJT  | Jump if bit is true (1)    | btjt Byte, #3, Jmp1 | M      |     |   |   |   |   | C |
| CALL  | Call subroutine            |                     |        |     |   |   |   |   |   |
| CALLR | Call subroutine relative   |                     |        |     |   |   |   |   |   |
| CLR   | Clear                      |                     | reg, M |     |   |   | 0 | 1 |   |
| CP    | Arithmetic Compare         | tst(Reg - M)        | reg    | M   |   |   | N | Z | C |
| CPL   | One Complement             | $A = FFH-A$         | reg, M |     |   |   | N | Z | 1 |
| DEC   | Decrement                  | dec Y               | reg, M |     |   |   | N | Z |   |
| HALT  | Halt                       |                     |        |     |   | 0 |   |   |   |
| IRET  | Interrupt routine return   | Pop CC, A, X, PC    |        |     | H | I | N | Z | C |
| INC   | Increment                  | inc X               | reg, M |     |   |   | N | Z |   |
| JP    | Absolute Jump              | jp [TBL.w]          |        |     |   |   |   |   |   |
| JRA   | Jump relative always       |                     |        |     |   |   |   |   |   |
| JRT   | Jump relative              |                     |        |     |   |   |   |   |   |
| JRF   | Never jump                 | jrf *               |        |     |   |   |   |   |   |
| JRIH  | Jump if ext. interrupt = 1 |                     |        |     |   |   |   |   |   |
| JRIL  | Jump if ext. interrupt = 0 |                     |        |     |   |   |   |   |   |
| JRH   | Jump if H = 1              | H = 1 ?             |        |     |   |   |   |   |   |
| JRNH  | Jump if H = 0              | H = 0 ?             |        |     |   |   |   |   |   |
| JRM   | Jump if I = 1              | I = 1 ?             |        |     |   |   |   |   |   |
| JRNM  | Jump if I = 0              | I = 0 ?             |        |     |   |   |   |   |   |
| JRMI  | Jump if N = 1 (minus)      | N = 1 ?             |        |     |   |   |   |   |   |
| JRPL  | Jump if N = 0 (plus)       | N = 0 ?             |        |     |   |   |   |   |   |
| JREQ  | Jump if Z = 1 (equal)      | Z = 1 ?             |        |     |   |   |   |   |   |
| JRNE  | Jump if Z = 0 (not equal)  | Z = 0 ?             |        |     |   |   |   |   |   |
| JRC   | Jump if C = 1              | C = 1 ?             |        |     |   |   |   |   |   |
| JRNC  | Jump if C = 0              | C = 0 ?             |        |     |   |   |   |   |   |
| JRULT | Jump if C = 1              | Unsigned <          |        |     |   |   |   |   |   |
| JRUGE | Jump if C = 0              | Jmp if unsigned >=  |        |     |   |   |   |   |   |
| JRUGT | Jump if (C + Z = 0)        | Unsigned >          |        |     |   |   |   |   |   |

INSTRUCTION GROUPS (Cont'd)

| Mnemo | Description            | Function/Example        | Dst       | Src     | H | I | N | Z | C |
|-------|------------------------|-------------------------|-----------|---------|---|---|---|---|---|
| JRULE | Jump if (C + Z = 1)    | Unsigned <=             |           |         |   |   |   |   |   |
| LD    | Load                   | dst <= src              | reg, M    | M, reg  |   |   | N | Z |   |
| MUL   | Multiply               | X,A = X * A             | A, X, Y   | X, Y, A | 0 |   |   |   | 0 |
| NEG   | Negate (2's compl)     | neg \$10                | reg, M    |         |   |   | N | Z | C |
| NOP   | No Operation           |                         |           |         |   |   |   |   |   |
| OR    | OR operation           | A = A + M               | A         | M       |   |   | N | Z |   |
| POP   | Pop from the Stack     | pop reg<br>pop CC       | reg<br>CC | M<br>M  |   |   |   |   |   |
| PUSH  | Push onto the Stack    | push Y                  | M         | reg, CC | H | I | N | Z | C |
| RCF   | Reset carry flag       | C = 0                   |           |         |   |   |   |   | 0 |
| RET   | Subroutine Return      |                         |           |         |   |   |   |   |   |
| RIM   | Enable Interrupts      | I = 0                   |           |         |   | 0 |   |   |   |
| RLC   | Rotate left true C     | C <= Dst <= C           | reg, M    |         |   |   | N | Z | C |
| RRC   | Rotate right true C    | C => Dst => C           | reg, M    |         |   |   | N | Z | C |
| RSP   | Reset Stack Pointer    | S = Max allowed         |           |         |   |   |   |   |   |
| SBC   | Subtract with Carry    | A = A - M - C           | A         | M       |   |   | N | Z | C |
| SCF   | Set carry flag         | C = 1                   |           |         |   |   |   |   | 1 |
| SIM   | Disable Interrupts     | I = 1                   |           |         |   | 1 |   |   |   |
| SLA   | Shift left Arithmetic  | C <= Dst <= 0           | reg, M    |         |   |   | N | Z | C |
| SLL   | Shift left Logic       | C <= Dst <= 0           | reg, M    |         |   |   | N | Z | C |
| SRL   | Shift right Logic      | 0 => Dst => C           | reg, M    |         |   |   | 0 | Z | C |
| SRA   | Shift right Arithmetic | Dst7 => Dst => C        | reg, M    |         |   |   | N | Z | C |
| SUB   | Subtraction            | A = A - M               | A         | M       |   |   | N | Z | C |
| SWAP  | SWAP nibbles           | Dst[7..4] <=> Dst[3..0] | reg, M    |         |   |   | N | Z |   |
| TNZ   | Test for Neg & Zero    | tnz  b 1                |           |         |   |   | N | Z |   |
| TRAP  | S/W trap               | S/W interrupt           |           |         |   | 1 |   |   |   |
| WFI   | Wait for Interrupt     |                         |           |         |   | 0 |   |   |   |
| XOR   | Exclusive OR           | A = A XOR M             | A         | M       |   |   | N | Z |   |

## 13 ELECTRICAL CHARACTERISTICS

### 13.1 PARAMETER CONDITIONS

Unless otherwise specified, all voltages are referred to  $V_{SS}$ .

#### 13.1.1 Minimum and Maximum values

Unless otherwise specified the minimum and maximum values are guaranteed in the worst conditions of ambient temperature, supply voltage and frequencies by tests in production on 100% of the devices with an ambient temperature at  $T_A=25^\circ\text{C}$  and  $T_A=T_{A\text{max}}$  (given by the selected temperature range).

Data based on characterization results, design simulation and/or technology characteristics are indicated in the table footnotes and are not tested in production. Based on characterization, the minimum and maximum values refer to sample tests and represent the mean value plus or minus three times the standard deviation ( $\text{mean} \pm 3\Sigma$ ).

#### 13.1.2 Typical values

Unless otherwise specified, typical data are based on  $T_A=25^\circ\text{C}$ ,  $V_{DD}=5\text{V}$  (for the  $4.5\text{V} \leq V_{DD} \leq 5.5\text{V}$  voltage range) and  $V_{DD}=3.3\text{V}$  (for the  $3\text{V} \leq V_{DD} \leq 4\text{V}$  voltage range). They are given only as design guidelines and are not tested.

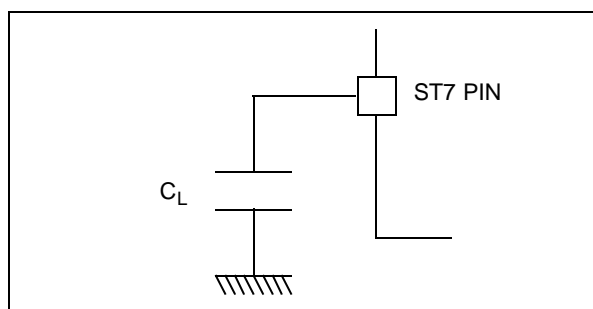
#### 13.1.3 Typical curves

Unless otherwise specified, all typical curves are given only as design guidelines and are not tested.

#### 13.1.4 Loading capacitor

The loading conditions used for pin parameter measurement are shown in [Figure 50](#).

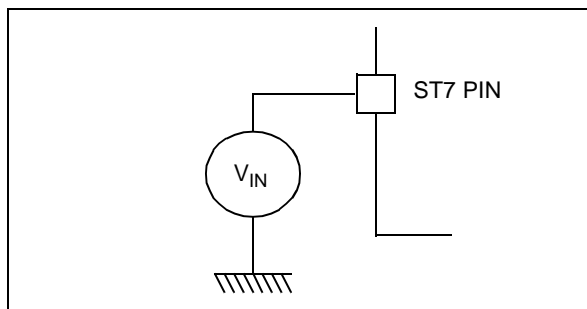
**Figure 50. Pin loading conditions**



#### 13.1.5 Pin input voltage

The input voltage measurement on a pin of the device is described in [Figure 51](#).

**Figure 51. Pin input voltage**



**13.2 ABSOLUTE MAXIMUM RATINGS**

Stresses above those listed as “absolute maximum ratings” may cause permanent damage to the device. This is a stress rating only and functional operation of the device under these condi-

tions is not implied. Exposure to maximum rating conditions for extended periods may affect device reliability.

**13.2.1 Voltage Characteristics**

| Symbol            | Ratings  | Maximum value                                  | Unit |
|-------------------|--|--|------|
| $V_{DD} - V_{SS}$ | Supply voltage                                     | 7.0  | V    |
| $V_{IN}$          | Input voltage on any pin <sup>1) &amp; 2)</sup>    | $V_{SS}-0.3$ to $V_{DD}+0.3$                   |      |
| $V_{ESD(HBM)}$    | Electrostatic discharge voltage (Human Body Model) | see <a href="#">section 13.7.3 on page 104</a> |      |
| $V_{ESD(MM)}$     | Electrostatic discharge voltage (Machine Model)    |  |      |

**13.2.2 Current Characteristics**

| Symbol                                | Ratings  | Maximum value | Unit |
|---------------------------------------|--|---------------|------|
| $I_{VDD}$                             | Total current into $V_{DD}$ power lines (source) <sup>3)</sup>         | 150           | mA   |
| $I_{VSS}$                             | Total current out of $V_{SS}$ ground lines (sink) <sup>3)</sup>        | 150           |      |
| $I_{IO}$                              | Output current sunk by any standard I/O and control pin                | 25            |      |
|                                       | Output current sunk by any high sink I/O pin                           | 50            |      |
|                                       | Output current source by any I/Os and control pin                      | - 25          |      |
| $I_{INJ(PIN)}$ <sup>2) &amp; 4)</sup> | Injected current on $\overline{ISPSEL}$ pin                            | $\pm 5$       |      |
|                                       | Injected current on $\overline{RESET}$ pin                             | $\pm 5$       |      |
|                                       | Injected current on OSC1 and OSC2 pins                                 | $\pm 5$       |      |
|                                       | Injected current on any other pin <sup>5)</sup>                        | $\pm 5$       |      |
| $\Sigma I_{INJ(PIN)}$ <sup>2)</sup>   | Total injected current (sum of all I/O and control pins) <sup>5)</sup> | $\pm 20$      |      |

**13.2.3 Thermal Characteristics**

| Symbol    | Ratings   | Value       | Unit |
|-----------|---|-------------|------|
| $T_{STG}$ | Storage temperature range   | -65 to +150 | °C   |
| $T_J$     | Maximum junction temperature (see Table 21, “THERMAL CHARACTERISTICS,” on page 121) |             |      |

**Notes:**

- Directly connecting the  $\overline{RESET}$  and I/O pins to  $V_{DD}$  or  $V_{SS}$  could damage the device if an unintentional internal reset is generated or an unexpected change of the I/O configuration occurs (for example, due to a corrupted program counter). To guarantee safe operation, this connection has to be done through a pull-up or pull-down resistor (typical: 4.7kΩ for  $\overline{RESET}$ , 10kΩ for I/Os). Unused I/O pins must be tied in the same way to  $V_{DD}$  or  $V_{SS}$  according to their reset configuration.
- When the current limitation is not possible, the  $V_{IN}$  absolute maximum rating must be respected, otherwise refer to  $I_{INJ(PIN)}$  specification. A positive injection is induced by  $V_{IN} > V_{DD}$  while a negative injection is induced by  $V_{IN} < V_{SS}$ .
- All power ( $V_{DD}$ ) and ground ( $V_{SS}$ ) lines must always be connected to the external supply.
- Negative injection disturbs the analog performance of the device. In particular, it induces leakage currents throughout the device including the analog inputs. To avoid undesirable effects on the analog functions, care must be taken:
  - Analog input pins must have a negative injection less than 0.8 mA (assuming that the impedance of the analog voltage is lower than the specified limits)
  - Pure digital pins must have a negative injection less than 1.6mA. In addition, it is recommended to inject the current as far as possible from the analog input pins.
- When several inputs are submitted to a current injection, the maximum  $\Sigma I_{INJ(PIN)}$  is the absolute sum of the positive and negative injected currents (instantaneous values). These results are based on characterisation with  $\Sigma I_{INJ(PIN)}$  maximum current injection on four I/O port pins of the device.

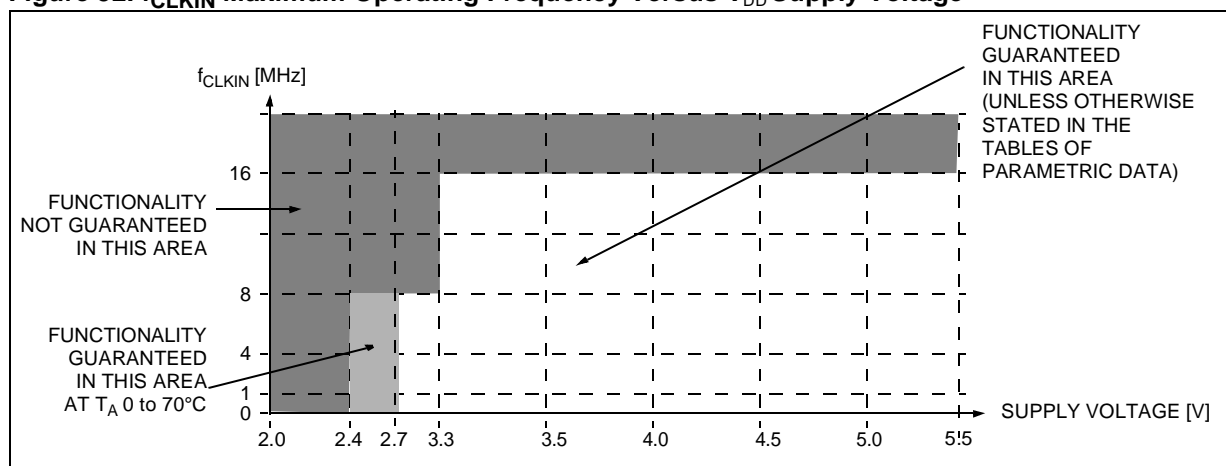
### 13.3 OPERATING CONDITIONS

#### 13.3.1 General Operating Conditions: Suffix 6 Devices

$T_A = -40$  to  $+85^\circ\text{C}$  unless otherwise specified.

| Symbol      | Parameter                             | Conditions  | Min | Max | Unit |
|-------------|---------------------------------------|---|-----|-----|------|
| $V_{DD}$    | Supply voltage                        | $f_{OSC} = 8 \text{ MHz. max.}, T_A = 0 \text{ to } 70^\circ\text{C}$ | 2.4 | 5.5 | V    |
|             |                                       | $f_{OSC} = 8 \text{ MHz. max.}$                                       | 2.7 | 5.5 |      |
|             |                                       | $f_{OSC} = 16 \text{ MHz. max.}$                                      | 3.3 | 5.5 |      |
| $f_{CLKIN}$ | External clock frequency on CLKIN pin | $V_{DD} \geq 3.3\text{V}$   | 0   | 16  | MHz  |
|             |                                       | $V_{DD} \geq 2.4\text{V}, T_A = 0 \text{ to } +70^\circ\text{C}$      | 0   | 8   |      |
|             |                                       | $V_{DD} \geq 2.7\text{V}$   |     |     |      |

Figure 52.  $f_{CLKIN}$  Maximum Operating Frequency Versus  $V_{DD}$  Supply Voltage



**13.3.2 Operating Conditions with Low Voltage Detector (LVD)**
 $T_A = -40$  to  $125^\circ\text{C}$ , unless otherwise specified

| Symbol         | Parameter                                   | Conditions  | Min  | Typ                  | Max  | Unit            |
|----------------|---|---|--|----------------------|--|-----------------|
| $V_{IT+(LVD)}$ | Reset release threshold ( $V_{DD}$ rise)    | High Threshold<br>Med. Threshold<br>Low Threshold | 4.00 <sup>1)</sup><br>3.40 <sup>1)</sup><br>2.65 <sup>1)</sup> | 4.25<br>3.60<br>2.90 | 4.50<br>3.80<br>3.15   | V               |
| $V_{IT-(LVD)}$ | Reset generation threshold ( $V_{DD}$ fall) | High Threshold<br>Med. Threshold<br>Low Threshold | 3.80<br>3.20<br>2.40   | 4.05<br>3.40<br>2.70 | 4.30 <sup>1)</sup><br>3.65 <sup>1)</sup><br>2.90 <sup>1)</sup> |                 |
| $V_{hys}$      | LVD voltage threshold hysteresis            | $V_{IT+(LVD)} - V_{IT-(LVD)}$                     |  | 200                  |  | mV              |
| $V_{tPOR}$     | $V_{DD}$ rise time rate <sup>2)</sup>       |   | 20   |                      | 20000  | $\mu\text{s/V}$ |
| $t_g(V_{DD})$  | Filtered glitch delay on $V_{DD}$           | Not detected by the LVD                           |  |                      | 150  | ns              |
| $I_{DD(LVD)}$  | LVD/AVD current consumption                 |   |  | 245                  |  | $\mu\text{A}$   |

**Note:**

1. Not tested in production.
2. Not tested in production. The  $V_{DD}$  rise time rate condition is needed to insure a correct device power-on and LVD reset. When the  $V_{DD}$  slope is outside these values, the LVD may not ensure a proper reset of the MCU.

**13.3.3 Auxiliary Voltage Detector (AVD) Thresholds**
 $T_A = -40$  to  $125^\circ\text{C}$ , unless otherwise specified

| Symbol           | Parameter  | Conditions  | Min  | Typ                  | Max  | Unit |
|------------------|--|---|--|----------------------|--|------|
| $V_{IT+(AVD)}$   | 1=>0 AVDF flag toggle threshold ( $V_{DD}$ rise)           | High Threshold<br>Med. Threshold<br>Low Threshold | 4.40 <sup>1)</sup><br>3.90 <sup>1)</sup><br>3.20 <sup>1)</sup> | 4.70<br>4.10<br>3.40 | 5.00<br>4.30<br>3.60   | V    |
| $V_{IT-(AVD)}$   | 0=>1 AVDF flag toggle threshold ( $V_{DD}$ fall)           | High Threshold<br>Med. Threshold<br>Low Threshold | 4.30<br>3.70<br>2.90   | 4.60<br>3.90<br>3.20 | 4.90 <sup>1)</sup><br>4.10 <sup>1)</sup><br>3.40 <sup>1)</sup> |      |
| $V_{hys}$        | AVD voltage threshold hysteresis                           | $V_{IT+(AVD)} - V_{IT-(AVD)}$                     |  | 150                  |  | mV   |
| $\Delta V_{IT-}$ | Voltage drop between AVD flag set and LVD reset activation | $V_{DD}$ fall                                     |  | 0.45                 |  | V    |

**Note:**

1. Not tested in production.

**13.3.4 Internal RC Oscillator and PLL**

The ST7 internal clock can be supplied by an internal RC oscillator and PLL (selectable by option byte).

| Symbol          | Parameter                                | Conditions | Min | Typ | Max | Unit                                 |
|-----------------|--|------------|-----|-----|-----|--------------------------------------|
| $V_{DD(RC)}$    | Internal RC Oscillator operating voltage |            | 2.4 |     | 5.5 | V                                    |
| $V_{DD(x4PLL)}$ | x4 PLL operating voltage                 |            | 2.4 |     | 3.3 |                                      |
| $V_{DD(x8PLL)}$ | x8 PLL operating voltage                 |            | 3.3 |     | 5.5 |                                      |
| $t_{STARTUP}$   | PLL Startup time                         |            |     | 60  |     | PLL input clock ( $f_{PLL}$ ) cycles |

**OPERATING CONDITIONS** (Cont'd)

The RC oscillator and PLL characteristics are temperature-dependent and are grouped in four tables.

**13.3.4.1 Devices with “6” order code suffix (tested for  $T_A = -40$  to  $+85^\circ\text{C}$ ) @  $V_{DD} = 4.5$  to  $5.5\text{V}$** 

| Symbol               | Parameter  | Conditions  | Min              | Typ               | Max              | Unit |
|----------------------|--|---|------------------|-------------------|------------------|------|
| $f_{RC}$             | Internal RC oscillator frequency                                 | RCCR = FF (reset value), $T_A=25^\circ\text{C}$ , $V_{DD}=5\text{V}$            |                  | 760               |                  | kHz  |
|                      |  | RCCR = RCCR0 <sup>2)</sup> , $T_A=25^\circ\text{C}$ , $V_{DD}=5\text{V}$        |                  | 1000              |                  |      |
| ACC <sub>RC</sub>    | Accuracy of Internal RC oscillator with RCCR=RCCR0 <sup>2)</sup> | $T_A=25^\circ\text{C}$ , $V_{DD}=4.5$ to $5.5\text{V}$                          | -1               |                   | +1               | %    |
|                      |  | $T_A=-40$ to $+85^\circ\text{C}$ , $V_{DD}=5\text{V}$                           | -5               |                   | +2               | %    |
|                      |  | $T_A=0$ to $+85^\circ\text{C}$ , $V_{DD}=4.5$ to $5.5\text{V}$                  | -2 <sup>1)</sup> |                   | +2 <sup>1)</sup> | %    |
| I <sub>DD(RC)</sub>  | RC oscillator current consumption                                | $T_A=25^\circ\text{C}$ , $V_{DD}=5\text{V}$                                     |                  | 970 <sup>1)</sup> |                  | μA   |
| t <sub>su(RC)</sub>  | RC oscillator setup time   | $T_A=25^\circ\text{C}$ , $V_{DD}=5\text{V}$                                     |                  |                   | 10 <sup>2)</sup> | μs   |
| f <sub>PLL</sub>     | x8 PLL input clock   |   | 1 <sup>1)</sup>  |                   |                  | MHz  |
| t <sub>LOCK</sub>    | PLL Lock time <sup>5)</sup>                                      |   |                  | 2                 |                  | ms   |
| t <sub>STAB</sub>    | PLL Stabilization time <sup>5)</sup>                             |   |                  | 4                 |                  | ms   |
| ACC <sub>PLL</sub>   | x8 PLL Accuracy  | $f_{RC} = 1\text{MHz}$ @ $T_A=25^\circ\text{C}$ , $V_{DD}=4.5$ to $5.5\text{V}$ |                  | 0.1 <sup>4)</sup> |                  | %    |
|                      |  | $f_{RC} = 1\text{MHz}$ @ $T_A=-40$ to $+85^\circ\text{C}$ , $V_{DD}=5\text{V}$  |                  | 0.1 <sup>4)</sup> |                  | %    |
| t <sub>w(JIT)</sub>  | PLL jitter period  | $f_{RC} = 1\text{MHz}$  |                  | 8 <sup>3)</sup>   |                  | kHz  |
| JIT <sub>PLL</sub>   | PLL jitter ( $\Delta f_{CPU}/f_{CPU}$ )                          |   |                  | 1 <sup>3)</sup>   |                  | %    |
| I <sub>DD(PLL)</sub> | PLL current consumption  | $T_A=25^\circ\text{C}$  |                  | 600 <sup>1)</sup> |                  | μA   |

**Notes:**

1. Data based on characterization results, not tested in production
2. RCCR0 is a factory-calibrated setting for 1000kHz with  $\pm 0.2$  accuracy @  $T_A = 25^\circ\text{C}$ ,  $V_{DD} = 5\text{V}$ . See “INTERNAL RC OSCILLATOR ADJUSTMENT” on page 23
3. Guaranteed by design.
4. Averaged over a 4ms period. After the LOCKED bit is set, a period of t<sub>STAB</sub> is required to reach ACC<sub>PLL</sub> accuracy.
5. After the LOCKED bit is set ACC<sub>PLL</sub> is max. 10% until t<sub>STAB</sub> has elapsed. See [Figure 12 on page 24](#).

**OPERATING CONDITIONS** (Cont'd)

**13.3.4.2 Devices with "6" order code suffix (tested for  $T_A = -40$  to  $+85^\circ\text{C}$ ) @  $V_{DD} = 2.7$  to  $3.3\text{V}$**

| Symbol               | Parameter  | Conditions  | Min             | Typ               | Max              | Unit |
|----------------------|--|---|-----------------|-------------------|------------------|------|
| $f_{RC}$             | Internal RC oscillator frequency   | RCCR = FF (reset value), $T_A=25^\circ\text{C}$ , $V_{DD}= 3.0\text{V}$         |                 | 560               |                  | kHz  |
|                      |  | RCCR=RCCR1 <sup>2)</sup> , $T_A=25^\circ\text{C}$ , $V_{DD}= 3\text{V}$         |                 | 700               |                  |      |
| ACC <sub>RC</sub>    | Accuracy of Internal RC oscillator when calibrated with RCCR=RCCR1 <sup>1)2)</sup> | $T_A=25^\circ\text{C}$ , $V_{DD}=3\text{V}$                                     | -2              |                   | +2               | %    |
|                      |  | $T_A=25^\circ\text{C}$ , $V_{DD}=2.7$ to $3.3\text{V}$                          | -25             |                   | +25              | %    |
|                      |  | $T_A=-40$ to $+85^\circ\text{C}$ , $V_{DD}=3\text{V}$                           | -15             |                   | 15               | %    |
| I <sub>DD(RC)</sub>  | RC oscillator current consumption  | $T_A=25^\circ\text{C}$ , $V_{DD}=3\text{V}$                                     |                 | 700 <sup>1)</sup> |                  | μA   |
| t <sub>SU(RC)</sub>  | RC oscillator setup time   | $T_A=25^\circ\text{C}$ , $V_{DD}=3\text{V}$                                     |                 |                   | 10 <sup>2)</sup> | μs   |
| f <sub>PLL</sub>     | x4 PLL input clock   |   | 1 <sup>1)</sup> |                   |                  | MHz  |
| t <sub>LOCK</sub>    | PLL Lock time <sup>5)</sup>  |   |                 | 2                 |                  | ms   |
| t <sub>STAB</sub>    | PLL Stabilization time <sup>5)</sup>   |   |                 | 4                 |                  | ms   |
| ACC <sub>PLL</sub>   | x4 PLL Accuracy  | $f_{RC} = 1\text{MHz}$ @ $T_A=25^\circ\text{C}$ , $V_{DD}=2.7$ to $3.3\text{V}$ |                 | 0.1 <sup>4)</sup> |                  | %    |
|                      |  | $f_{RC} = 1\text{MHz}$ @ $T_A=40$ to $+85^\circ\text{C}$ , $V_{DD}= 3\text{V}$  |                 | 0.1 <sup>4)</sup> |                  | %    |
| t <sub>w(JIT)</sub>  | PLL jitter period  | $f_{RC} = 1\text{MHz}$  |                 | 8 <sup>3)</sup>   |                  | kHz  |
| JIT <sub>PLL</sub>   | PLL jitter ( $\Delta f_{CPU}/f_{CPU}$ )  |   |                 | 1 <sup>3)</sup>   |                  | %    |
| I <sub>DD(PLL)</sub> | PLL current consumption  | $T_A=25^\circ\text{C}$  |                 | 190 <sup>1)</sup> |                  | μA   |

**Notes:**

1. Data based on characterization results, not tested in production
2. RCCR1 is a factory-calibrated setting for 700MHz with  $\pm 0.2$  accuracy @  $T_A = 25^\circ\text{C}$ ,  $V_{DD}=3\text{V}$ . See "INTERNAL RC OSCILLATOR ADJUSTMENT" on page 23.
3. Guaranteed by design.
4. Averaged over a 4ms period. After the LOCKED bit is set, a period of t<sub>STAB</sub> is required to reach ACC<sub>PLL</sub> accuracy
5. After the LOCKED bit is set ACC<sub>PLL</sub> is max. 10% until t<sub>STAB</sub> has elapsed. See [Figure 12 on page 24](#).

OPERATING CONDITIONS (Cont'd)

Figure 53. RC Osc Freq vs  $V_{DD}$  @  $T_A=25^\circ\text{C}$   
(Calibrated with RCCR1: 3V @  $25^\circ\text{C}$ )

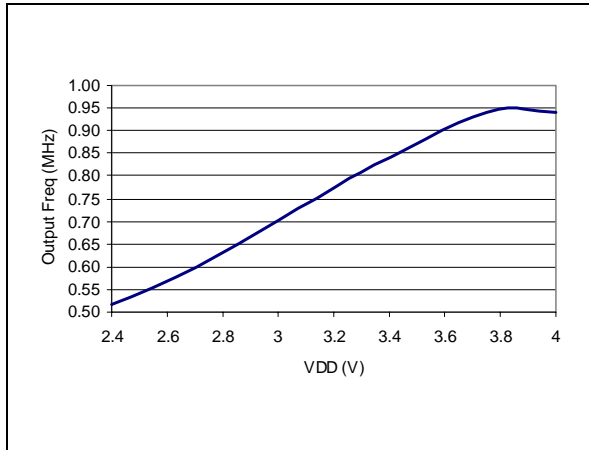


Figure 54. RC Osc Freq vs  $V_{DD}$   
(Calibrated with RCCR0: 5V @  $25^\circ\text{C}$ )

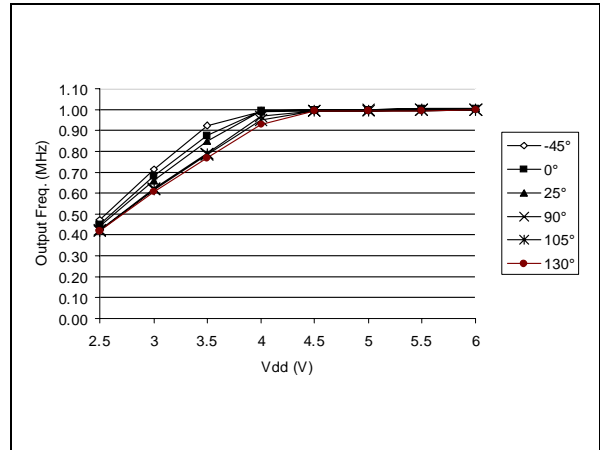


Figure 55. Typical RC oscillator Accuracy vs temperature @  $V_{DD}=5\text{V}$   
(Calibrated with RCCR0: 5V @  $25^\circ\text{C}$ )

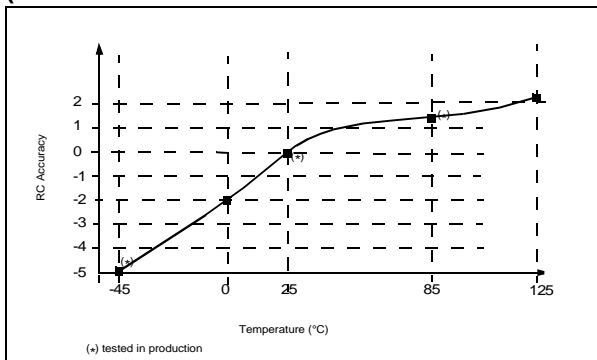
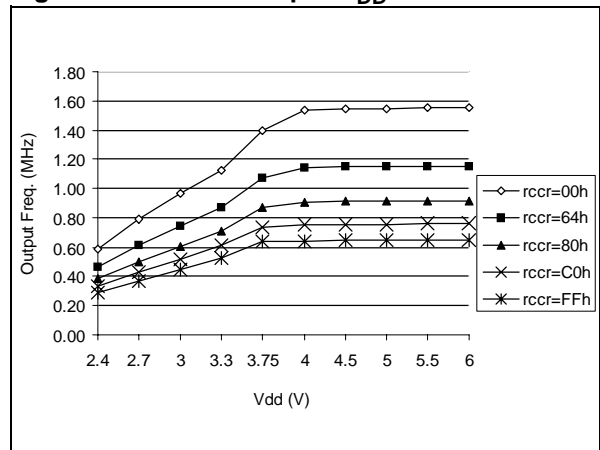


Figure 56. RC Osc Freq vs  $V_{DD}$  and RCCR Value



OPERATING CONDITIONS (Cont'd)

Figure 57. PLL  $\Delta f_{CPU}/f_{CPU}$  versus time

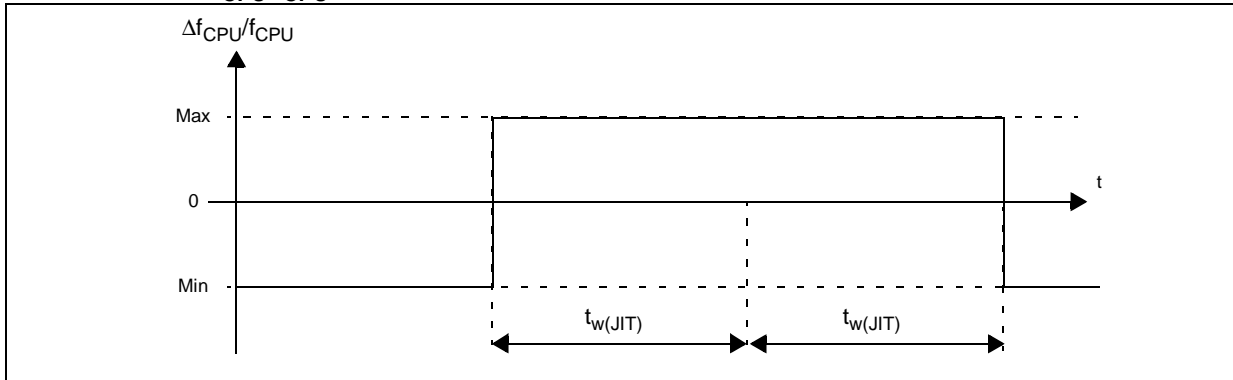
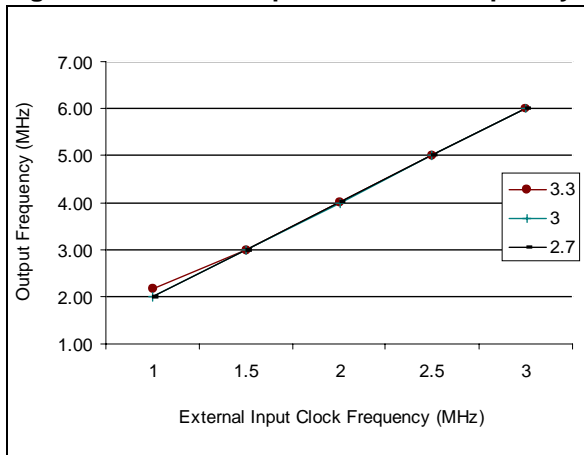
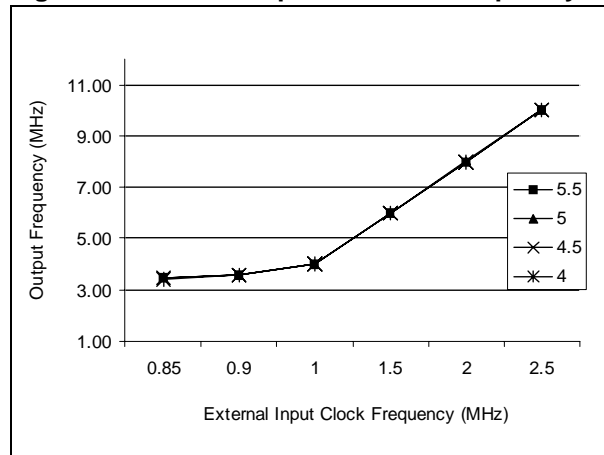


Figure 58. PLLx4 Output vs CLKIN frequency



Note:  $f_{OSC} = f_{CLKIN}/2 * PLL4$

Figure 59. PLLx8 Output vs CLKIN frequency



Note:  $f_{OSC} = f_{CLKIN}/2 * PLL8$

13.3.4.3 32MHz PLL

$T_A = -40$  to  $125^\circ\text{C}$ , unless otherwise specified

| Symbol      | Parameter               | Min | Typ | Max | Unit |
|-------------|-------------------------|-----|-----|-----|------|
| $V_{DD}$    | Voltage <sup>1)</sup>   | 4.5 | 5   | 5.5 | V    |
| $f_{PLL32}$ | Frequency <sup>1)</sup> |     | 32  |     | MHz  |
| $f_{INPUT}$ | Input Frequency         | 7   | 8   | 9   | MHz  |

Note 1: 32 MHz is guaranteed within this voltage range.

### 13.4 SUPPLY CURRENT CHARACTERISTICS

The following current consumption specified for the ST7 functional operating modes over temperature range does not take into account the clock source current consumption. To get the total de-

vice consumption, the two current values must be added (except for HALT mode for which the clock is stopped).

#### 13.4.1 Supply Current

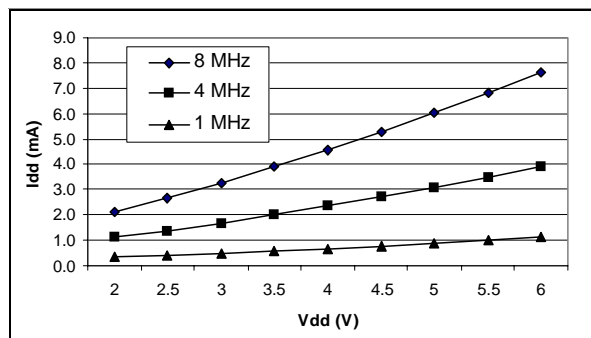
$T_A = -40$  to  $+125^\circ\text{C}$  unless otherwise specified

| Symbol   | Parameter                                    | Conditions                | Typ   | Max | Unit |               |
|----------|--|---------------------------|---|-----|------|---------------|
| $I_{DD}$ | Supply current in RUN mode                   | $V_{DD}=5.5\text{V}$      | $f_{CPU}=8\text{MHz}^{1)}$                          | 7.5 | 12   | mA            |
|          | Supply current in WAIT mode                  |                           | $f_{CPU}=8\text{MHz}^{2)}$                          | 3.7 | 6    |               |
|          | Supply current in SLOW mode                  |                           | $f_{CPU}=500\text{kHz}^{3)}$                        | 1.6 | 2.5  |               |
|          | Supply current in SLOW WAIT mode             |                           | $f_{CPU}=500\text{kHz}^{4)}$                        | 1.6 | 2.5  |               |
|          | Supply current in HALT mode                  |                           | $-40^\circ\text{C} \leq T_A \leq +85^\circ\text{C}$ | 1   | 10   | $\mu\text{A}$ |
|          | Supply current in AWUFH mode <sup>5)6)</sup> |                           | $T_A = +125^\circ\text{C}$                          | 15  | 50   |               |
|          |  | $T_A = +25^\circ\text{C}$ | 20  | 30  |      |               |

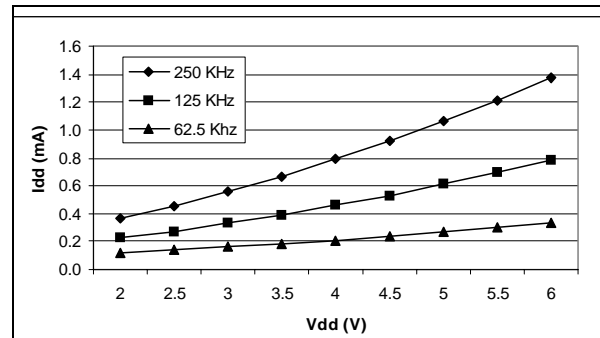
**Notes:**

1. CPU running with memory access, all I/O pins in input mode with a static value at  $V_{DD}$  or  $V_{SS}$  (no load), all peripherals in reset state; clock input (CLKIN) driven by external square wave, LVD disabled.
2. All I/O pins in input mode with a static value at  $V_{DD}$  or  $V_{SS}$  (no load), all peripherals in reset state; clock input (CLKIN) driven by external square wave, LVD disabled.
3. SLOW mode selected with  $f_{CPU}$  based on  $f_{OSC}$  divided by 32. All I/O pins in input mode with a static value at  $V_{DD}$  or  $V_{SS}$  (no load), all peripherals in reset state; clock input (CLKIN) driven by external square wave, LVD disabled.
4. SLOW-WAIT mode selected with  $f_{CPU}$  based on  $f_{OSC}$  divided by 32. All I/O pins in input mode with a static value at  $V_{DD}$  or  $V_{SS}$  (no load), all peripherals in reset state; clock input (CLKIN) driven by external square wave, LVD disabled.
5. All I/O pins in input mode with a static value at  $V_{DD}$  or  $V_{SS}$  (no load). Data tested in production at  $V_{DD}$  max. and  $f_{CPU}$  max.
6. This consumption refers to the Halt period only and not the associated run period which is software dependent.

**Figure 60. Typical  $I_{DD}$  in RUN vs.  $f_{CPU}$**



**Figure 61. Typical  $I_{DD}$  in SLOW vs.  $f_{CPU}$**



SUPPLY CURRENT CHARACTERISTICS (Cont'd)

Figure 62. Typical I<sub>DD</sub> in WAIT vs. f<sub>CPU</sub>

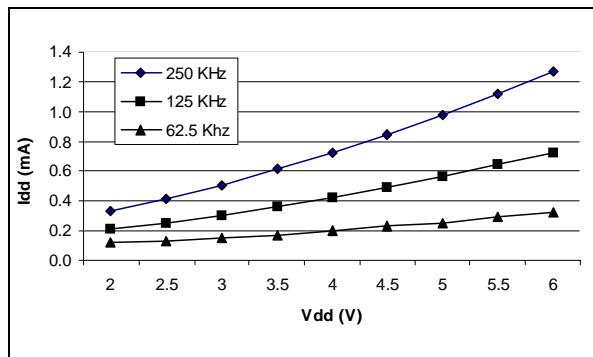


Figure 63. Typical I<sub>DD</sub> in SLOW-WAIT vs. f<sub>CPU</sub>

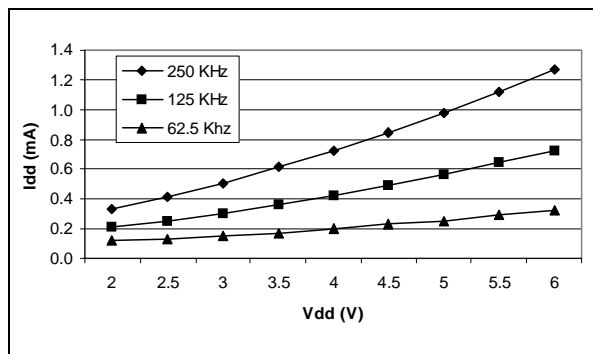


Figure 64. Typical I<sub>DD</sub> in AWUFH mode at T<sub>A</sub>=25°C

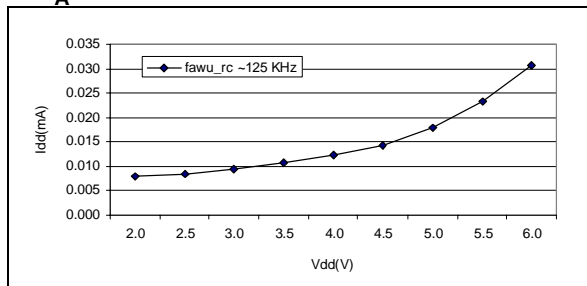
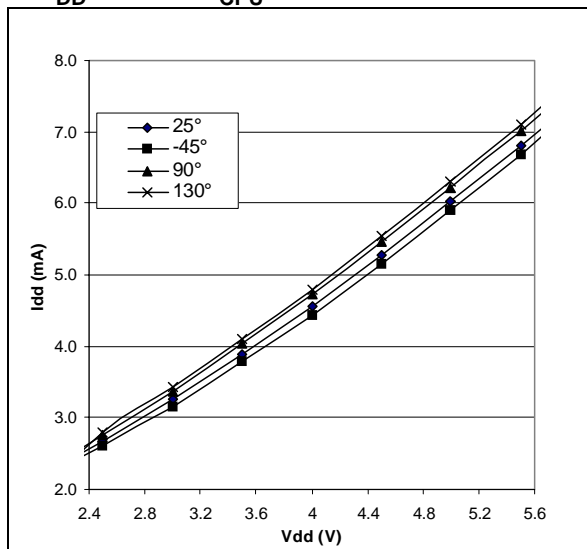


Figure 65. Typical I<sub>DD</sub> vs. Temperature at V<sub>DD</sub> = 5V and f<sub>CPU</sub> = 8MHz



13.4.2 On-chip peripherals

| Symbol               | Parameter   | Conditions                                   | Typ | Unit |
|----------------------|---|--|-----|------|
| I <sub>DD(AT)</sub>  | 12-bit Auto-Reload Timer supply current <sup>1)</sup> | f <sub>CPU</sub> =4MHz V <sub>DD</sub> =3.0V | 50  | μA   |
|                      |   | f <sub>CPU</sub> =8MHz V <sub>DD</sub> =5.0V | 150 |      |
| I <sub>DD(SPI)</sub> | SPI supply current <sup>2)</sup>                      | f <sub>CPU</sub> =4MHz V <sub>DD</sub> =3.0V | 50  |      |
|                      |   | f <sub>CPU</sub> =8MHz V <sub>DD</sub> =5.0V | 300 |      |
| I <sub>DD(ADC)</sub> | ADC supply current when converting <sup>3)</sup>      | f <sub>ADC</sub> =4MHz V <sub>DD</sub> =3.0V | TBD |      |
|                      |   | f <sub>ADC</sub> =4MHz V <sub>DD</sub> =5.0V | TBD |      |

1. Data based on a differential I<sub>DD</sub> measurement between reset configuration (timer stopped) and a timer running in PWM mode at f<sub>CPU</sub>=8MHz.
2. Data based on a differential I<sub>DD</sub> measurement between reset configuration and a permanent SPI master communication (data sent equal to 55h).
3. Data based on a differential I<sub>DD</sub> measurement between reset configuration and continuous A/D conversions with amplifier off.

### 13.5 CLOCK AND TIMING CHARACTERISTICS

Subject to general operating conditions for  $V_{DD}$ ,  $f_{OSC}$ , and  $T_A$ .

#### 13.5.1 General Timings

| Symbol        | Parameter <sup>1)</sup>  | Conditions     | Min  | Typ <sup>2)</sup> | Max  | Unit      |
|---------------|--|----------------|------|-------------------|------|-----------|
| $t_{c(INST)}$ | Instruction cycle time   | $f_{CPU}=8MHz$ | 2    | 3                 | 12   | $t_{CPU}$ |
|               |  |                | 250  | 375               | 1500 | ns        |
| $t_{V(IT)}$   | Interrupt reaction time <sup>3)</sup><br>$t_{V(IT)} = \Delta t_{c(INST)} + 10$ | $f_{CPU}=8MHz$ | 10   |                   | 22   | $t_{CPU}$ |
|               |  |                | 1.25 |                   | 2.75 | $\mu s$   |

#### Notes:

1. Guaranteed by Design. Not tested in production.
2. Data based on typical application software.
3. Time measured between interrupt event and interrupt vector fetch.  $\Delta t_{c(INST)}$  is the number of  $t_{CPU}$  cycles needed to finish the current instruction execution.

#### 13.5.2 Auto Wakeup from Halt Oscillator (AWU)

| Symbol      | Parameter                   | Conditions | Min | Typ | Max | Unit    |
|-------------|-----------------------------|------------|-----|-----|-----|---------|
| $f_{AWU}$   | AWU Oscillator Frequency    |            | 50  | 125 | 250 | kHz     |
| $t_{RCSRT}$ | AWU Oscillator startup time |            |     |     | 50  | $\mu s$ |

**13.6 MEMORY CHARACTERISTICS**

T<sub>A</sub> = -40°C to 125°C, unless otherwise specified

**13.6.1 RAM and Hardware Registers**

| Symbol          | Parameter                         | Conditions           | Min | Typ | Max | Unit |
|-----------------|-----------------------------------|----------------------|-----|-----|-----|------|
| V <sub>RM</sub> | Data retention mode <sup>1)</sup> | HALT mode (or RESET) | 1.6 |     |     | V    |

**13.6.2 FLASH Program Memory**

| Symbol            | Parameter                                     | Conditions  | Min               | Typ  | Max               | Unit   |
|-------------------|---|---|-------------------|------|-------------------|--------|
| V <sub>DD</sub>   | Operating voltage for Flash write/erase       |   | 2.4               |      | 5.5               | V      |
| t <sub>prog</sub> | Programming time for 1~32 bytes <sup>2)</sup> | T <sub>A</sub> =-40 to +85°C  |                   | 5    | 10                | ms     |
|                   | Programming time for 1.5 kBytes               | T <sub>A</sub> =+25°C   |                   | 0.24 | 0.48              | s      |
| t <sub>RET</sub>  | Data retention <sup>4)</sup>                  | T <sub>A</sub> =+55°C <sup>3)</sup>   | 20                |      |                   | years  |
| N <sub>RW</sub>   | Write erase cycles                            | T <sub>A</sub> =+25°C   | 10K <sup>7)</sup> |      |                   | cycles |
| I <sub>DD</sub>   | Supply current                                | Read / Write / Erase modes<br>f <sub>CPU</sub> = 8MHz, V <sub>DD</sub> = 5.5V |                   |      | 2.6 <sup>6)</sup> | mA     |
|                   |   | No Read/No Write Mode   |                   |      | 100               | μA     |
|                   |   | Power down mode / HALT  |                   | 0    | 0.1               | μA     |

**13.6.3 EEPROM Data Memory**

| Symbol            | Parameter                       | Conditions                          | Min                | Typ | Max | Unit   |
|-------------------|---------------------------------|-------------------------------------|--------------------|-----|-----|--------|
| t <sub>prog</sub> | Programming time for 1~32 bytes | T <sub>A</sub> =-40 to +85°C        |                    | 5   | 10  | ms     |
| t <sub>ret</sub>  | Data retention <sup>4)</sup>    | T <sub>A</sub> =+55°C <sup>3)</sup> | 20                 |     |     | years  |
| N <sub>RW</sub>   | Write erase cycles              | T <sub>A</sub> =+25°C               | 300K <sup>7)</sup> |     |     | cycles |

**Notes:**

1. Minimum V<sub>DD</sub> supply voltage without losing data stored in RAM (in HALT mode or under RESET) or in hardware registers (only in HALT mode). Guaranteed by construction, not tested in production.
2. Up to 32 bytes can be programmed at a time.
3. The data retention time increases when the T<sub>A</sub> decreases.
4. Data based on reliability test results and monitored in production.
5. Data based on characterization results, not tested in production.
6. Guaranteed by Design. Not tested in production.
7. Design target value pending full product characterization.

### 13.7 EMC CHARACTERISTICS

Susceptibility tests are performed on a sample basis during product characterization.

#### 13.7.1 Functional EMS

(Electro Magnetic Susceptibility)

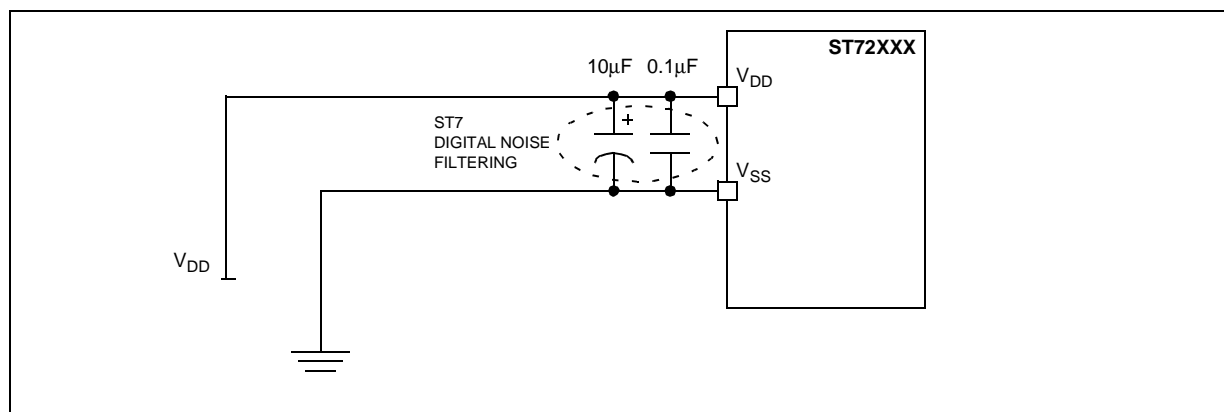
Based on a simple running application on the product (toggling 2 LEDs through I/O ports), the product is stressed by two electro magnetic events until a failure occurs (indicated by the LEDs).

- **ESD:** Electro-Static Discharge (positive and negative) is applied on all pins of the device until a functional disturbance occurs. This test conforms with the IEC 1000-4-2 standard.
- **FTB:** A Burst of Fast Transient voltage (positive and negative) is applied to  $V_{DD}$  and  $V_{SS}$  through a 100pF capacitor, until a functional disturbance occurs. This test conforms with the IEC 1000-4-4 standard.

A device reset allows normal operations to be resumed.

| Symbol     | Parameter  | Conditions   | Neg <sup>1)</sup> | Pos <sup>1)</sup> | Unit |
|------------|--|--|-------------------|-------------------|------|
| $V_{FESD}$ | Voltage limits to be applied on any I/O pin to induce a functional disturbance   | $V_{DD}=5V$ , $T_A=+25^{\circ}C$ , $f_{OSC}=8MHz$ conforms to IEC 1000-4-2 | -1.2              | >1.5              | kV   |
| $V_{FFTB}$ | Fast transient voltage burst limits to be applied through 100pF on $V_{DD}$ and $V_{DD}$ pins to induce a functional disturbance | $V_{DD}=5V$ , $T_A=+25^{\circ}C$ , $f_{OSC}=8MHz$ conforms to IEC 1000-4-4 | -1                | 1                 |      |

Figure 66. EMC Recommended power supply connection <sup>2)</sup>



**Notes:**

1. Data based on characterization results, not tested in production.
2. The suggested 10µF and 0.1µF decoupling capacitors on the power supply lines are proposed as a good price vs. EMC performance tradeoff. They have to be put as close as possible to the device power supply pins. Other EMC recommendations are given in other sections (I/Os, RESET, OSCx pin characteristics).

**EMC CHARACTERISTICS (Cont'd)**

**13.7.2 Electro Magnetic Interference (EMI)**

Based on a simple application running on the product (toggling 2 LEDs through the I/O ports), the product is monitored in terms of emission. This emission test is in line with the norm SAE J 1752/3 which specifies the board and the loading of each pin.

**Note 1.** Data based on characterization results, not tested in production.

**13.7.3 Absolute Electrical Sensitivity**

Based on three different tests (ESD, LU and DLU) using specific measurement methods, the product is stressed in order to determine its performance in terms of electrical sensitivity. For more details, refer to the AN1181 ST7 application note.

**13.7.3.1 Electro-Static Discharge (ESD)**

Electro-Static Discharges (3 positive then 3 negative pulses separated by 1 second) are applied to the pins of each sample according to each pin combination. The sample size depends of the number of supply pins of the device (3 parts\*(n+1) supply pin). Two models are usually simulated: Human Body Model and Machine Model. This test conforms to the JESD22-A114A/A115A standard. See [Figure 67](#) and the following test sequences.

**Human Body Model Test Sequence**

- C<sub>L</sub> is loaded through S1 by the HV pulse generator.
- S1 switches position from generator to R.
- A discharge from C<sub>L</sub> through R (body resistance) to the ST7 occurs.
- S2 must be closed 10 to 100ms after the pulse delivery period to ensure the ST7 is not left in charge state. S2 must be opened at least 10ms prior to the delivery of the next pulse.

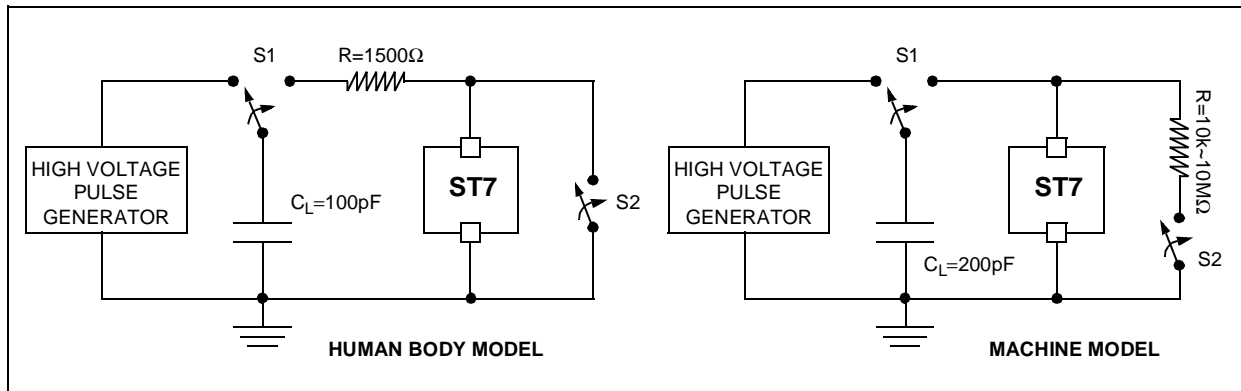
**Machine Model Test Sequence**

- C<sub>L</sub> is loaded through S1 by the HV pulse generator.
- S1 switches position from generator to ST7.
- A discharge from C<sub>L</sub> to the ST7 occurs.
- S2 must be closed 10 to 100ms after the pulse delivery period to ensure the ST7 is not left in charge state. S2 must be opened at least 10ms prior to the delivery of the next pulse.
- R (machine resistance), in series with S2, ensures a slow discharge of the ST7.

**Absolute Maximum Ratings**

| Symbol                | Ratings   | Conditions            | Maximum value <sup>1)</sup> | Unit |
|-----------------------|---|-----------------------|-----------------------------|------|
| V <sub>ESD(HBM)</sub> | Electro-static discharge voltage (Human Body Model) | T <sub>A</sub> =+25°C | 4000                        | V    |
| V <sub>ESD(MM)</sub>  | Electro-static discharge voltage (Machine Model)    | T <sub>A</sub> =+25°C | TBD                         |      |

Figure 67. Typical Equivalent ESD Circuits

**Notes:**

1. Data based on characterization results, not tested in production.

**EMC CHARACTERISTICS (Cont'd)**

**13.7.3.2 Static and Dynamic Latch-Up**

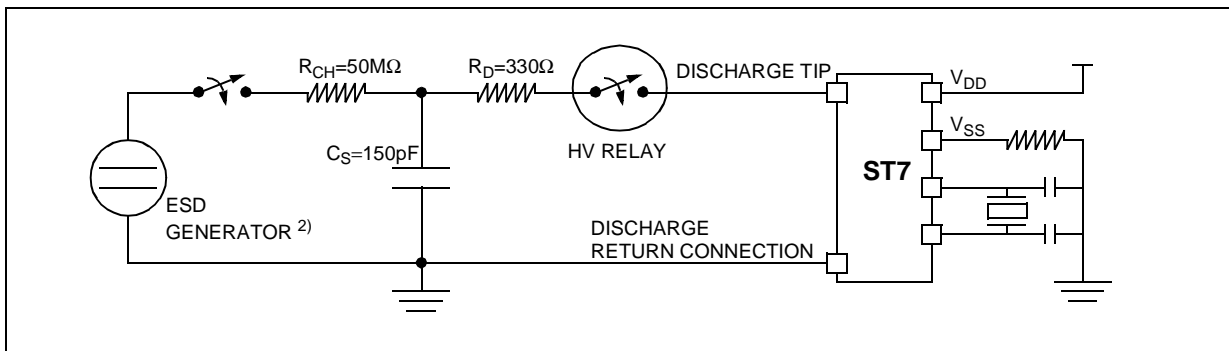
■ **LU:** 3 complementary static tests are required on 10 parts to assess the latch-up performance. A supply overvoltage (applied to each power supply pin), a current injection (applied to each input, output and configurable I/O pin) and a power supply switch sequence are performed on each sample. This test conforms to the EIA/JESD 78 IC latch-up standard. For more details, refer to the AN1181 ST7 application note.

■ **DLU:** Electro-Static Discharges (one positive then one negative test) are applied to each pin of 3 samples when the micro is running to assess the latch-up performance in dynamic mode. Power supplies are set to the typical values, the oscillator is connected as near as possible to the pins of the micro and the component is put in reset mode. This test conforms to the IEC1000-4-2 and SAEJ1752/3 standards and is described in Figure 68. For more details, refer to the AN1181 ST7 application note.

**Electrical Sensitivities**

| Symbol | Parameter              | Conditions   | Class <sup>1)</sup> |
|--------|------------------------|--|---------------------|
| LU     | Static latch-up class  | T <sub>A</sub> =+25°C<br>T <sub>A</sub> =+85°C                       | A<br>TBD            |
| DLU    | Dynamic latch-up class | V <sub>DD</sub> =5.5V, f <sub>OSC</sub> =4MHz, T <sub>A</sub> =+25°C | A                   |

**Figure 68. Simplified Diagram of the ESD Generator for DLU**



**Notes:**

1. Class description: A Class is an STMicroelectronics internal specification. All its limits are higher than the JEDEC specifications, that means when a device belongs to Class A it exceeds the JEDEC standard. B Class strictly covers all the JEDEC criteria (international standard).
2. Schaffner NSG435 with a pointed test finger.

## EMC CHARACTERISTICS (Cont'd)

## 13.7.4 ESD Pin Protection Strategy

To protect an integrated circuit against Electro-Static Discharge the stress must be controlled to prevent degradation or destruction of the circuit elements. The stress generally affects the circuit elements which are connected to the pads but can also affect the internal devices when the supply pads receive the stress. The elements to be protected must not receive excessive current, voltage or heating within their structure.

An ESD network combines the different input and output ESD protections. This network works, by allowing safe discharge paths for the pins subjected to ESD stress. Two critical ESD stress cases are presented in Figure 69 and Figure 70 for standard pins.

## Standard Pin Protection

To protect the output structure the following elements are added:

- A diode to  $V_{DD}$  (3a) and a diode from  $V_{SS}$  (3b)
- A protection device between  $V_{DD}$  and  $V_{SS}$  (4)

To protect the input structure the following elements are added:

- A resistor in series with the pad (1)
- A diode to  $V_{DD}$  (2a) and a diode from  $V_{SS}$  (2b)
- A protection device between  $V_{DD}$  and  $V_{SS}$  (4)

Figure 69. Positive Stress on a Standard Pad vs.  $V_{SS}$

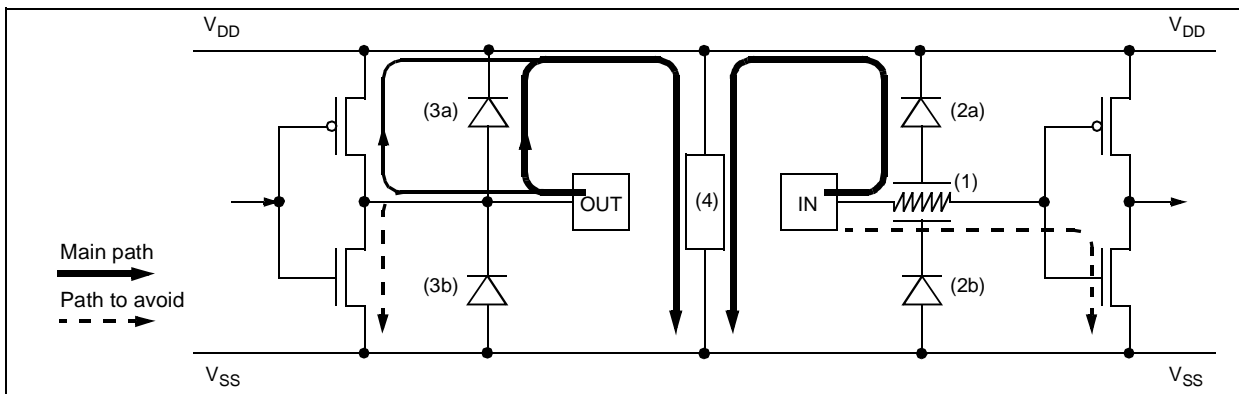
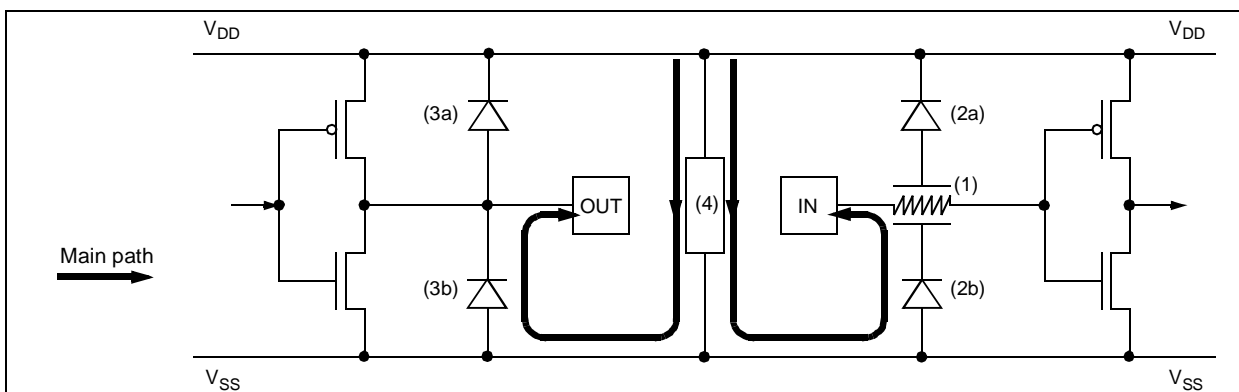


Figure 70. Negative Stress on a Standard Pad vs.  $V_{DD}$



### 13.8 I/O PORT PIN CHARACTERISTICS

#### 13.8.1 General Characteristics

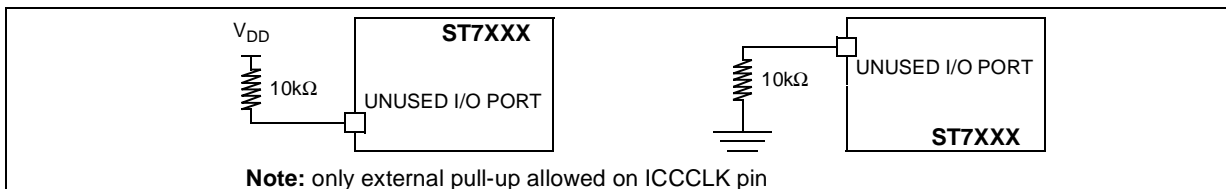
Subject to general operating conditions for  $V_{DD}$ ,  $f_{OSC}$ , and  $T_A$  unless otherwise specified.

| Symbol          | Parameter  | Conditions  | Min                 | Typ        | Max                 | Unit      |
|-----------------|--|---|---------------------|------------|---------------------|-----------|
| $V_{IL}$        | Input low level voltage                          |   |                     |            | $0.3 \times V_{DD}$ | V         |
| $V_{IH}$        | Input high level voltage                         |   | $0.7 \times V_{DD}$ |            |                     |           |
| $V_{hys}$       | Schmitt trigger voltage hysteresis <sup>1)</sup> |   |                     | 400        |                     | mV        |
| $I_L$           | Input leakage current                            | $V_{SS} \leq V_{IN} \leq V_{DD}$                    |                     |            | $\pm 1$             | $\mu A$   |
| $I_S$           | Static current consumption <sup>2)</sup>         | Floating input mode                                 |                     |            | 200                 |           |
| $R_{PU}$        | Weak pull-up equivalent resistor <sup>3)</sup>   | $V_{IN} = V_{SS}$<br>$V_{DD} = 5V$<br>$V_{DD} = 3V$ | 50                  | 120<br>160 | 250                 | $k\Omega$ |
| $C_{IO}$        | I/O pin capacitance                              |   |                     | 5          |                     | pF        |
| $t_{f(I/O)out}$ | Output high to low level fall time <sup>1)</sup> | $C_L = 50pF$<br>Between 10% and 90%                 |                     | 25         |                     | ns        |
| $t_{r(I/O)out}$ | Output low to high level rise time <sup>1)</sup> |   |                     | 25         |                     |           |
| $t_{w(IT)in}$   | External interrupt pulse time <sup>4)</sup>      |   | 1                   |            |                     | $t_{CPU}$ |

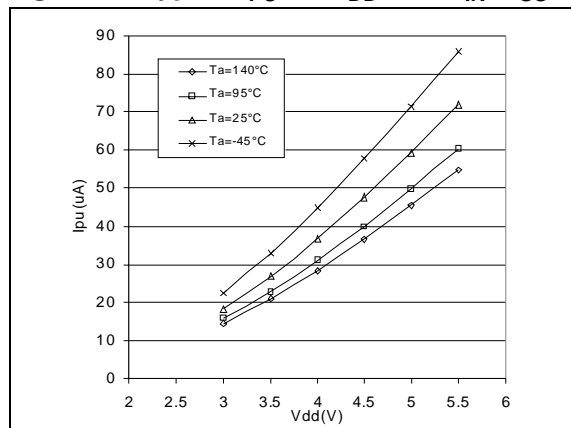
**Notes:**

1. Data based on characterization results, not tested in production.
2. Configuration not recommended, all unused pins must be kept at a fixed voltage: using the output mode of the I/O for example or an external pull-up or pull-down resistor (see Figure 71). Data based on design simulation and/or technology characteristics, not tested in production.
3. The  $R_{PU}$  pull-up equivalent resistor is based on a resistive transistor (corresponding  $I_{PU}$  current characteristics described in Figure 72).
4. To generate an external interrupt, a minimum pulse width has to be applied on an I/O port pin configured as an external interrupt source.

**Figure 71. Two typical Applications with unused I/O Pin**



**Figure 72. Typical  $I_{PU}$  vs.  $V_{DD}$  with  $V_{IN} = V_{SS}$**



## I/O PORT PIN CHARACTERISTICS (Cont'd)

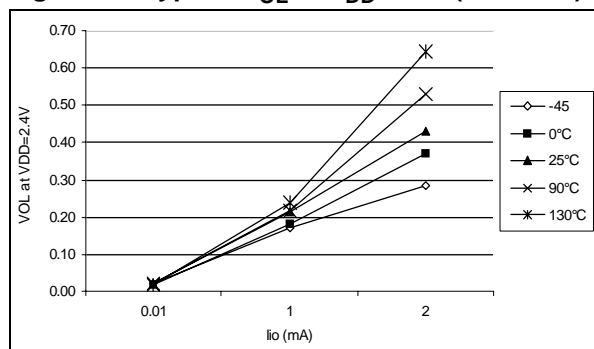
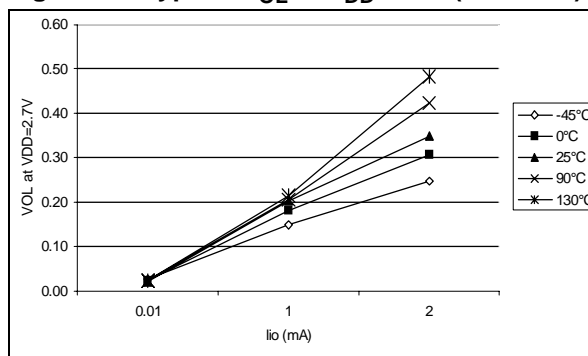
## 13.8.2 Output Driving Current

Subject to general operating conditions for  $V_{DD}$ ,  $f_{CPU}$ , and  $T_A$  unless otherwise specified.

| Symbol          | Parameter  | Conditions                            | Min          | Max | Unit |
|-----------------|--|---------------------------------------|--------------|-----|------|
| $V_{OL}^{1)}$   | Output low level voltage for a standard I/O pin when 8 pins are sunk at same time (see Figure 76)  | $I_{IO}=+5mA$ $T_A \leq 85^\circ C$   |              | 1.0 | V    |
|                 |  | $T_A \geq 85^\circ C$                 |              | 1.2 |      |
|                 | Output low level voltage for a high sink I/O pin when 4 pins are sunk at same time (see Figure 78) | $I_{IO}=+2mA$ $T_A \leq 85^\circ C$   |              | 0.4 |      |
|                 |  | $T_A \geq 85^\circ C$                 |              | 0.5 |      |
| $V_{OH}^{2)}$   | Output high level voltage for an I/O pin when 4 pins are sourced at same time (see Figure 84)      | $I_{IO}=-5mA$ , $T_A \leq 85^\circ C$ | $V_{DD}-1.5$ |     |      |
|                 |  | $T_A \geq 85^\circ C$                 | $V_{DD}-1.6$ |     |      |
| $V_{OL}^{1)3)}$ | Output low level voltage for a standard I/O pin when 8 pins are sunk at same time (see Figure 75)  | $I_{IO}=+2mA$ $T_A \leq 85^\circ C$   |              | 0.5 |      |
|                 |  | $T_A \geq 85^\circ C$                 |              | 0.6 |      |
| $V_{OH}^{2)3)}$ | Output high level voltage for an I/O pin when 4 pins are sourced at same time                      | $I_{IO}=-2mA$ $T_A \leq 85^\circ C$   | $V_{DD}-0.8$ |     |      |
|                 |  | $T_A \geq 85^\circ C$                 | $V_{DD}-1.0$ |     |      |
| $V_{OL}^{1)3)}$ | Output low level voltage for a high sink I/O pin when 4 pins are sunk at same time                 | $I_{IO}=+8mA$ $T_A \leq 85^\circ C$   |              | 0.5 |      |
|                 |  | $T_A \geq 85^\circ C$                 |              | 0.6 |      |
| $V_{OL}^{1)3)}$ | Output low level voltage for a standard I/O pin when 8 pins are sunk at same time (see Figure 74)  | $I_{IO}=+2mA$ $T_A \leq 85^\circ C$   |              | 0.6 |      |
|                 |  | $T_A \geq 85^\circ C$                 |              | 0.7 |      |
| $V_{OH}^{2)3)}$ | Output high level voltage for an I/O pin when 4 pins are sourced at same time (see Figure 81)      | $I_{IO}=-2mA$ $T_A \leq 85^\circ C$   | $V_{DD}-0.9$ |     |      |
|                 |  | $T_A \geq 85^\circ C$                 | $V_{DD}-1.0$ |     |      |

## Notes:

1. The  $I_{IO}$  current sunk must always respect the absolute maximum rating specified in Section 13.2.2 and the sum of  $I_{IO}$  (I/O ports and control pins) must not exceed  $I_{VSS}$ .
2. The  $I_{IO}$  current sourced must always respect the absolute maximum rating specified in Section 13.2.2 and the sum of  $I_{IO}$  (I/O ports and control pins) must not exceed  $I_{VDD}$ .
3. Not tested in production, based on characterization results.

Figure 73. Typical  $V_{OL}$  at  $V_{DD}=2.4V$  (standard)Figure 74. Typical  $V_{OL}$  at  $V_{DD}=2.7V$  (standard)

I/O PORT PIN CHARACTERISTICS (Cont'd)

Figure 75. Typical  $V_{OL}$  at  $V_{DD}=3.3V$  (standard)

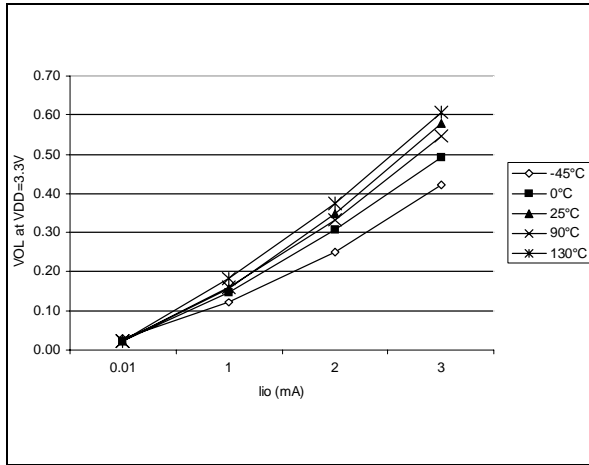


Figure 76. Typical  $V_{OL}$  at  $V_{DD}=5V$  (standard)

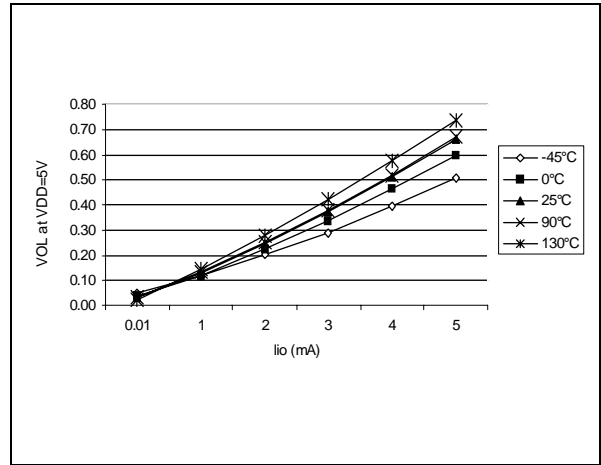


Figure 77. Typical  $V_{OL}$  at  $V_{DD}=2.4V$  (high-sink)

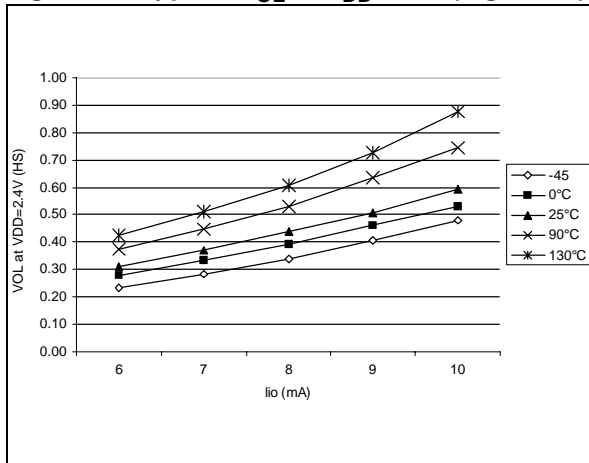


Figure 79. Typical  $V_{OL}$  at  $V_{DD}=3V$  (high-sink)

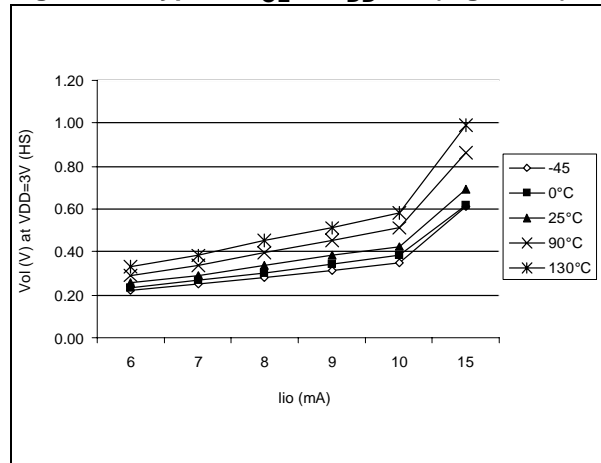
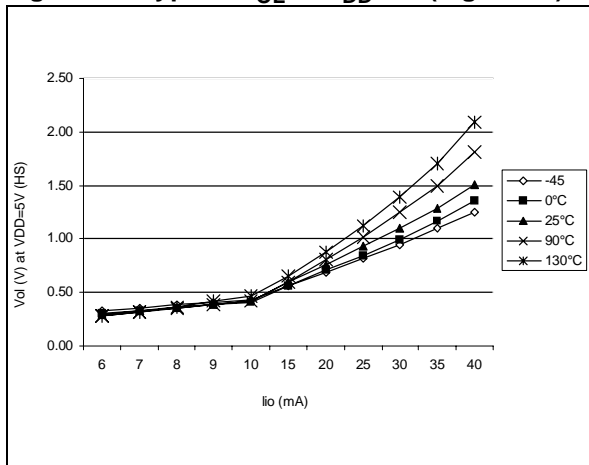


Figure 78. Typical  $V_{OL}$  at  $V_{DD}=5V$  (high-sink)



I/O PORT PIN CHARACTERISTICS (Cont'd)

Figure 80. Typical  $V_{DD}-V_{OH}$  at  $V_{DD}=2.4V$

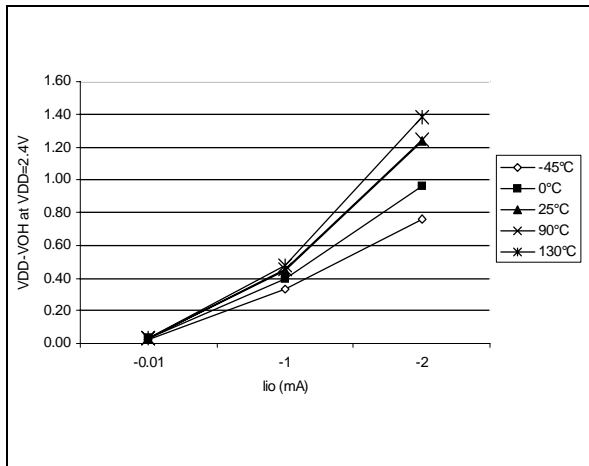


Figure 82. Typical  $V_{DD}-V_{OH}$  at  $V_{DD}=3V$

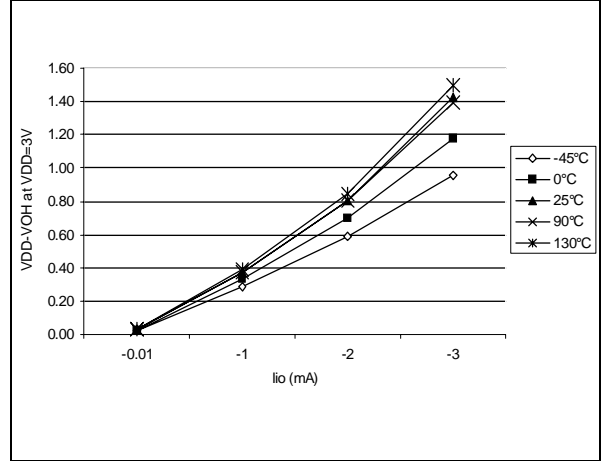


Figure 81. Typical  $V_{DD}-V_{OH}$  at  $V_{DD}=2.7V$

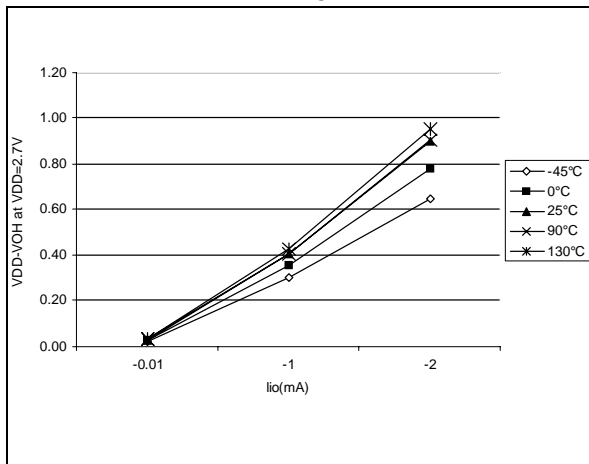


Figure 83. Typical  $V_{DD}-V_{OH}$  at  $V_{DD}=4V$

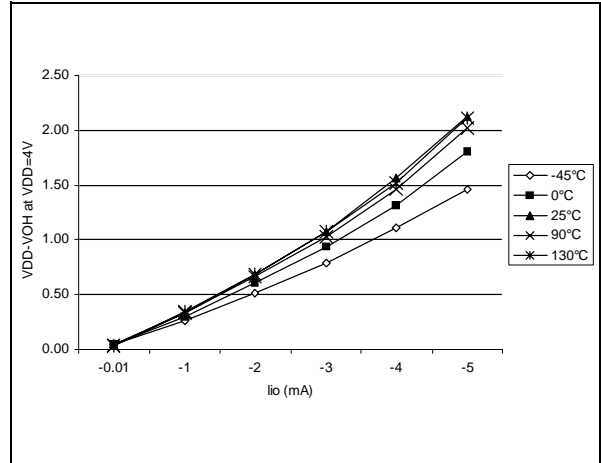
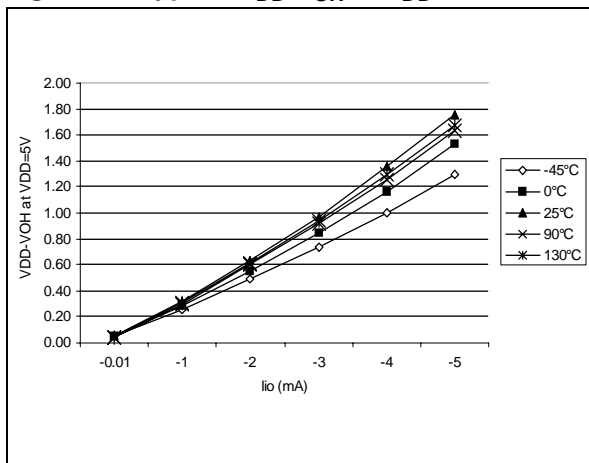


Figure 84. Typical  $V_{DD}-V_{OH}$  at  $V_{DD}=5V$



I/O PORT PIN CHARACTERISTICS (Cont'd)

Figure 85. Typical  $V_{OL}$  vs.  $V_{DD}$  (standard I/Os)

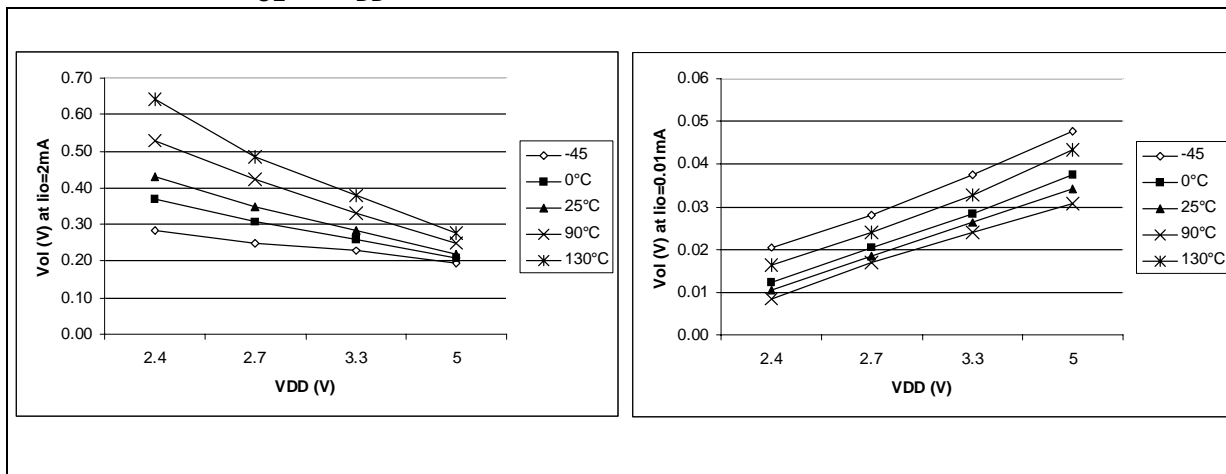


Figure 86. Typical  $V_{OL}$  vs.  $V_{DD}$  (high-sink I/Os)

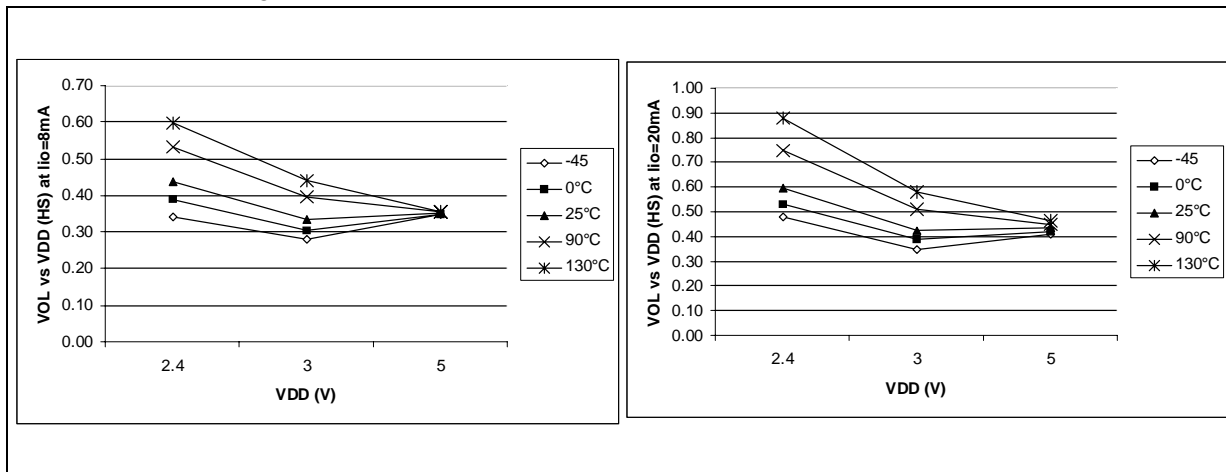
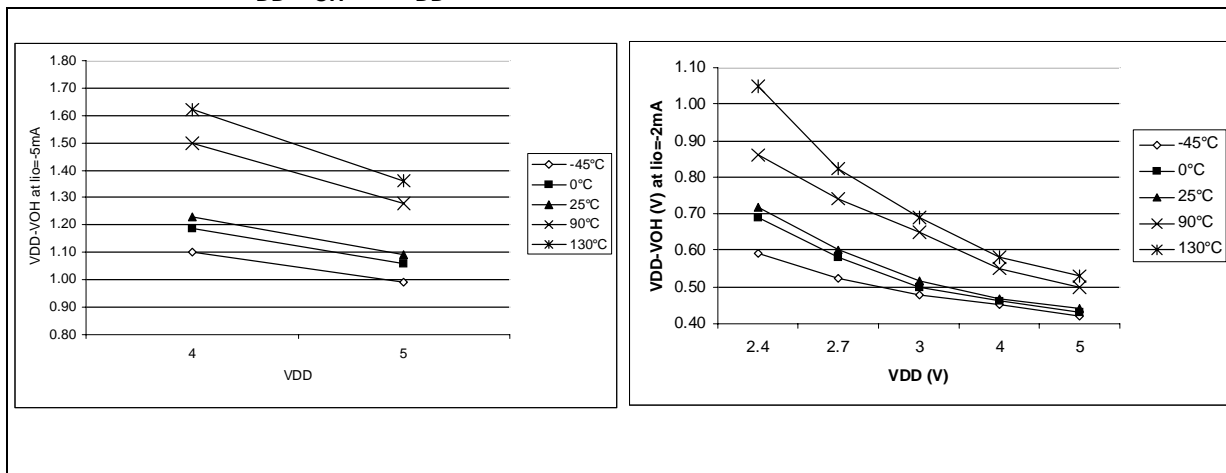


Figure 87. Typical  $V_{DD}-V_{OH}$  vs.  $V_{DD}$



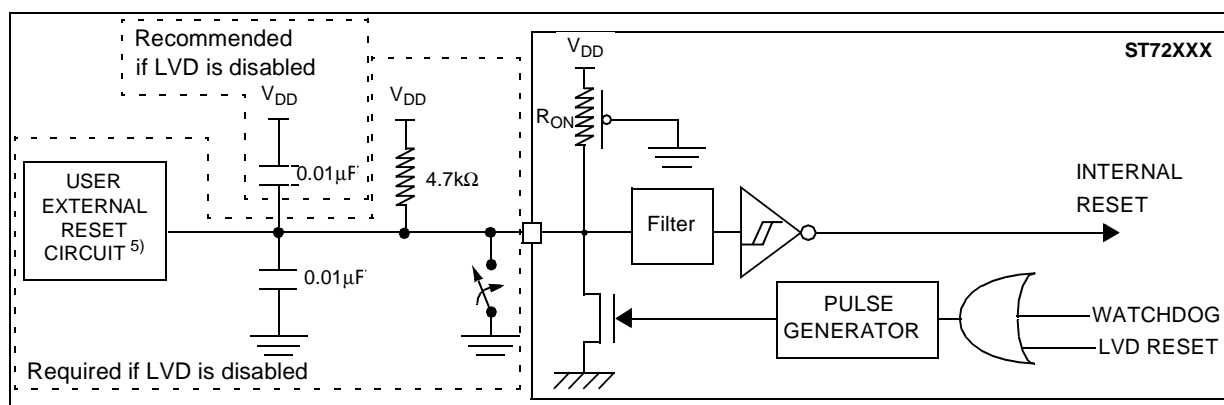
## 13.9 CONTROL PIN CHARACTERISTICS

### 13.9.1 Asynchronous $\overline{\text{RESET}}$ Pin

$T_A = -40^\circ\text{C}$  to  $125^\circ\text{C}$ , unless otherwise specified

| Symbol                         | Parameter  | Conditions             | Min   | Typ | Max                 | Unit          |
|--------------------------------|--|------------------------|---|-----|---------------------|---------------|
| $V_{IL}$                       | Input low level voltage                          |                        |   |     | $0.3 \times V_{DD}$ | V             |
| $V_{IH}$                       | Input high level voltage                         |                        | $0.7 \times V_{DD}$   |     |                     | V             |
| $V_{hys}$                      | Schmitt trigger voltage hysteresis <sup>1)</sup> |                        |   | 2   |                     | V             |
| $V_{OL}$                       | Output low level voltage <sup>2)</sup>           | $V_{DD}=5\text{V}$     |   | 0.5 | 1.0<br>1.2          | V             |
|                                |  |                        | $I_{IO}=+5\text{mA}$ $T_A \leq 85^\circ\text{C}$<br>$T_A \geq 85^\circ\text{C}$ |     |                     |               |
| $R_{ON}$                       | Pull-up equivalent resistor <sup>3)</sup> 1)     | $V_{DD}=5\text{V}$     | 20  | 40  | 80                  | k $\Omega$    |
|                                |  | $V_{DD}=3\text{V}$ .   | 40  | 70  | 120                 |               |
| $t_{w(\text{RSTL})\text{out}}$ | Generated reset pulse duration                   | Internal reset sources |   | 30  |                     | $\mu\text{s}$ |
| $t_{h(\text{RSTL})\text{in}}$  | External reset pulse hold time <sup>4)</sup>     |                        | 20  |     |                     | $\mu\text{s}$ |
| $t_{g(\text{RSTL})\text{in}}$  | Filtered glitch duration <sup>5)</sup>           |                        |   | 200 |                     | ns            |

Figure 88. Typical Application with  $\overline{\text{RESET}}$  pin <sup>6)7)8)</sup>



#### Notes:

1. Data based on characterization results, not tested in production.
2. The  $I_{IO}$  current sunk must always respect the absolute maximum rating specified in Section 13.2.2 and the sum of  $I_{IO}$  (I/O ports and control pins) must not exceed  $I_{VSS}$ .
3. The  $R_{ON}$  pull-up equivalent resistor is based on a resistive transistor. Specified for voltages on  $\overline{\text{RESET}}$  pin between  $V_{IL\text{max}}$  and  $V_{DD}$ .
4. To guarantee the reset of the device, a minimum pulse has to be applied to the  $\overline{\text{RESET}}$  pin. All short pulses applied on  $\overline{\text{RESET}}$  pin with a duration below  $t_{h(\text{RSTL})\text{in}}$  can be ignored.
5. The reset network (the resistor and two capacitors) protects the device against parasitic resets especially in noisy environments.
6. The output of the external reset circuit must have an open-drain output to drive the ST7 reset pad. Otherwise the device can be damaged when the ST7 generates an internal reset (LVD or watchdog).
7. Whatever the reset source is (internal or external), the user must ensure that the level on the  $\overline{\text{RESET}}$  pin can go below the  $V_{IL\text{max}}$  level specified in section 13.9.1 on page 113. Otherwise the reset will not be taken into account internally.
8. Because the reset circuit is designed to allow the internal RESET to be output in the  $\overline{\text{RESET}}$  pin, the user must ensure that the current sunk on the RESET pin (by an external pull-p for example) is less than the absolute maximum value specified for  $I_{INJ(\text{RESET})}$  in section 13.2.2 on page 92.

13.10 COMMUNICATION INTERFACE CHARACTERISTICS

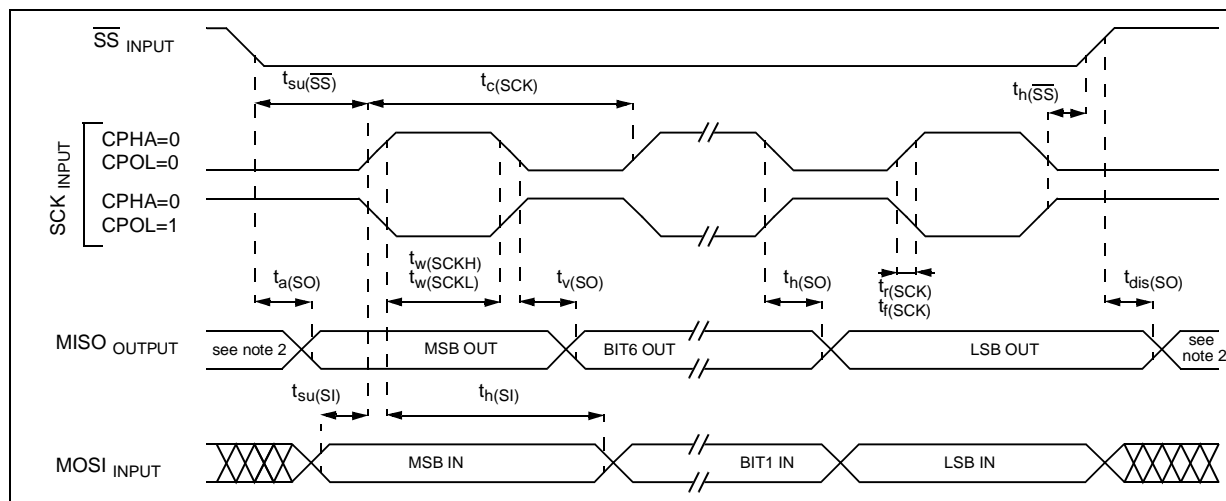
13.10.1 SPI - Serial Peripheral Interface

Subject to general operating conditions for  $V_{DD}$ ,  $f_{OSC}$ , and  $T_A$  unless otherwise specified.

Refer to I/O port characteristics for more details on the input/output alternate function characteristics (SS, SCK, MOSI, MISO).

| Symbol                       | Parameter                    | Conditions                   | Min                          | Max          | Unit      |
|------------------------------|------------------------------|------------------------------|------------------------------|--------------|-----------|
| $f_{SCK}$<br>1/ $t_c(SCK)$   | SPI clock frequency          | Master<br>$f_{CPU}=8MHz$     | $f_{CPU}/128$<br>0.0625      | $f_{CPU}/42$ | MHz       |
|                              |                              | Slave<br>$f_{CPU}=8MHz$      | 0                            | $f_{CPU}/24$ |           |
| $t_r(SCK)$<br>$t_f(SCK)$     | SPI clock rise and fall time |                              | see I/O port pin description |              |           |
| $t_{su}(\overline{SS})$      | $\overline{SS}$ setup time   | Slave                        | 120                          |              | ns        |
| $t_h(\overline{SS})$         | $\overline{SS}$ hold time    | Slave                        | 120                          |              |           |
| $t_w(SCKH)$<br>$t_w(SCKL)$   | SCK high and low time        | Master                       | 100                          |              |           |
|                              |                              | Slave                        | 90                           |              |           |
| $t_{su}(MI)$<br>$t_{su}(SI)$ | Data input setup time        | Master                       | 100                          |              |           |
|                              |                              | Slave                        | 100                          |              |           |
| $t_h(MI)$<br>$t_h(SI)$       | Data input hold time         | Master                       | 100                          |              |           |
|                              |                              | Slave                        | 100                          |              |           |
| $t_a(SO)$                    | Data output access time      | Slave                        | 0                            | 120          |           |
| $t_{dis}(SO)$                | Data output disable time     | Slave                        |                              | 240          |           |
| $t_v(SO)$                    | Data output valid time       | Slave (after enable edge)    |                              | 120          |           |
| $t_h(SO)$                    | Data output hold time        |                              | 0                            |              |           |
| $t_v(MO)$                    | Data output valid time       | Master (before capture edge) | 0.25                         |              | $t_{CPU}$ |
| $t_h(MO)$                    | Data output hold time        |                              | 0.25                         |              |           |

Figure 89. SPI Slave Timing Diagram with CPHA=0<sup>3)</sup>



Notes:

1. Data based on design simulation and/or characterisation results, not tested in production.
2. When no communication is on-going the data output line of the SPI (MOSI in master mode, MISO in slave mode) has its alternate function capability released. In this case, the pin status depends on the I/O port configuration.
3. Measurement points are done at CMOS levels:  $0.3xV_{DD}$  and  $0.7xV_{DD}$ .

COMMUNICATION INTERFACE CHARACTERISTICS (Cont'd)

Figure 90. SPI Slave Timing Diagram with CPHA=1<sup>1)</sup>

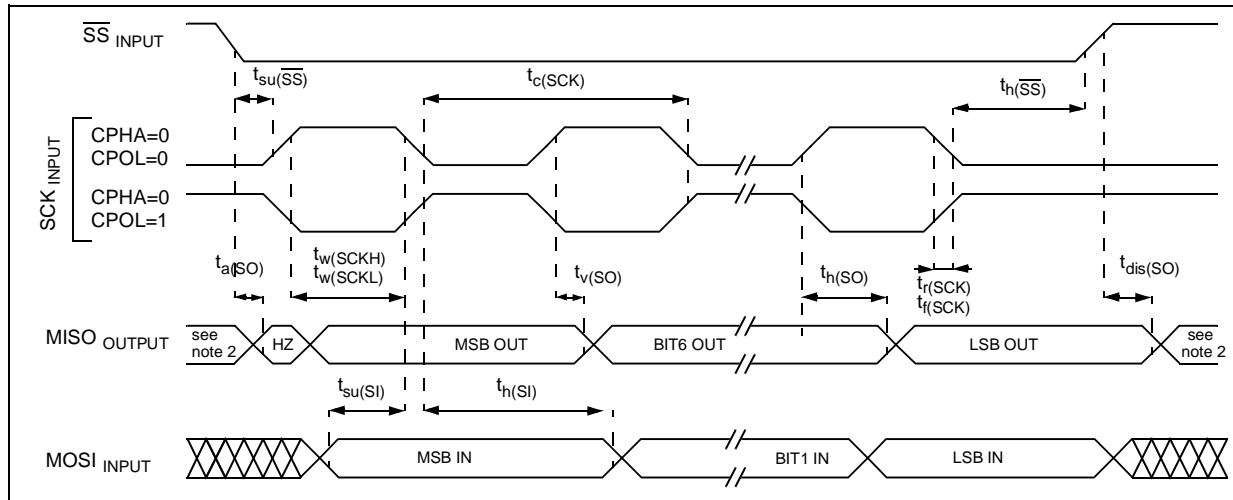
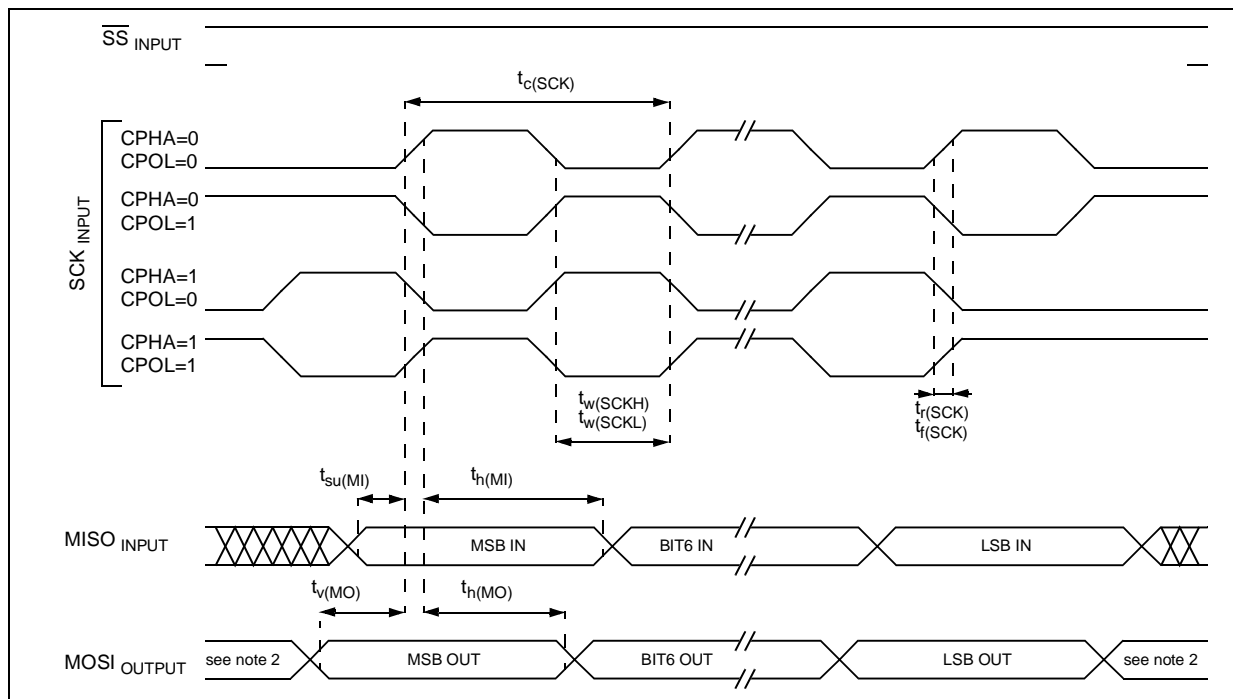


Figure 91. SPI Master Timing Diagram <sup>1)</sup>



Notes:

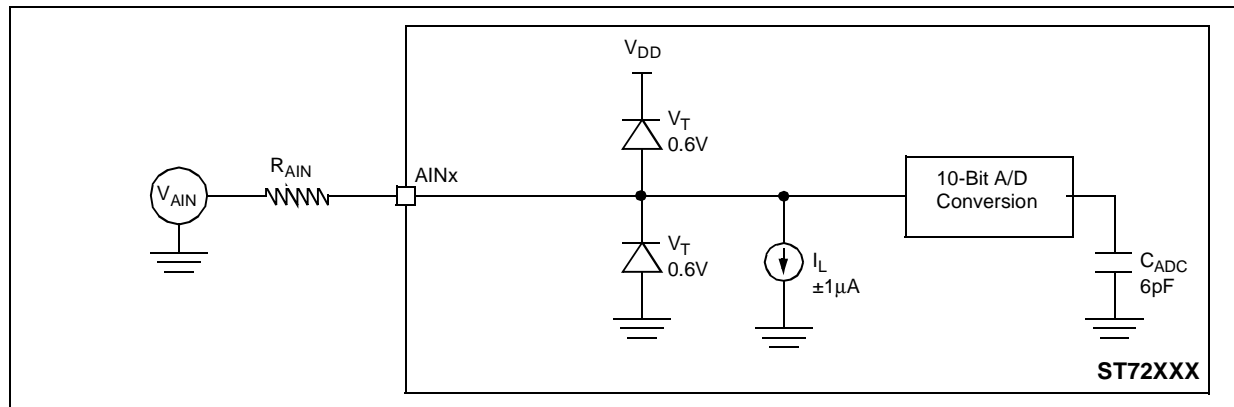
1. Measurement points are done at CMOS levels:  $0.3 \times V_{DD}$  and  $0.7 \times V_{DD}$ .
2. When no communication is on-going the data output line of the SPI (MOSI in master mode, MISO in slave mode) has its alternate function capability released. In this case, the pin status depends of the I/O port configuration.

13.11 10-BIT ADC CHARACTERISTICS

Subject to general operating condition for  $V_{DD}$ ,  $f_{OSC}$ , and  $T_A$  unless otherwise specified.

| Symbol     | Parameter   | Conditions                                 | Min       | Typ <sup>1)</sup> | Max                  | Unit         |
|------------|---|--|-----------|-------------------|----------------------|--------------|
| $f_{ADC}$  | ADC clock frequency                                       |  |           |                   | 4                    | MHz          |
| $V_{AIN}$  | Conversion voltage range <sup>2)</sup>                    |  | $V_{SSA}$ |                   | $V_{DDA}$            | V            |
| $R_{AIN}$  | External input resistor                                   |  |           |                   | $10^3$ <sup>3)</sup> | k $\Omega$   |
| $C_{ADC}$  | Internal sample and hold capacitor                        |  |           | 6                 |                      | pF           |
| $t_{STAB}$ | Stabilization time after ADC enable                       |  |           | 0 <sup>4)</sup>   |                      | $\mu$ s      |
| $t_{ADC}$  | Conversion time (Sample+Hold)                             | $f_{CPU}=8\text{MHz}, f_{ADC}=4\text{MHz}$ |           | 3.5               |                      |              |
|            | - Sample capacitor loading time<br>- Hold conversion time |  |           | 4<br>10           |                      | 1/ $f_{ADC}$ |
| $I_{ADC}$  | Analog Part   |  |           |                   | 1                    | mA           |
|            | Digital Part  |  |           |                   | 0.2                  |              |

Figure 92. Typical Application with ADC



Notes:

1. Unless otherwise specified, typical data are based on  $T_A=25^\circ\text{C}$  and  $V_{DD}-V_{SS}=5\text{V}$ . They are given only as design guidelines and are not tested.
2. When  $V_{DDA}$  and  $V_{SSA}$  pins are not available on the pinout, the ADC refers to  $V_{DD}$  and  $V_{SS}$ .
3. Any added external serial resistor will downgrade the ADC accuracy (especially for resistance greater than 10k $\Omega$ ). Data based on characterization results, not tested in production.
4. The stabilization time of the AD converter is masked by the first  $t_{LOAD}$ . The first conversion after the enable is then always valid.

## ADC CHARACTERISTICS (Cont'd)

ADC Accuracy with  $V_{DD}=5.0V$ 

| Symbol | Parameter                                  | Conditions                                 | Typ | Max | Unit |
|--------|--|--|-----|-----|------|
| $E_T$  | Total unadjusted error <sup>2)</sup>       | $f_{CPU}=8MHz, f_{ADC}=4MHz$ <sup>1)</sup> | TBD | 4.5 | LSB  |
| $E_O$  | Offset error <sup>2)</sup>                 |  | TBD | 2   |      |
| $E_G$  | Gain Error <sup>2)</sup>                   |  | TBD | 3.5 |      |
| $E_D$  | Differential linearity error <sup>2)</sup> |  | TBD | 3   |      |
| $E_L$  | Integral linearity error <sup>2)</sup>     |  | TBD | 4   |      |

## Notes:

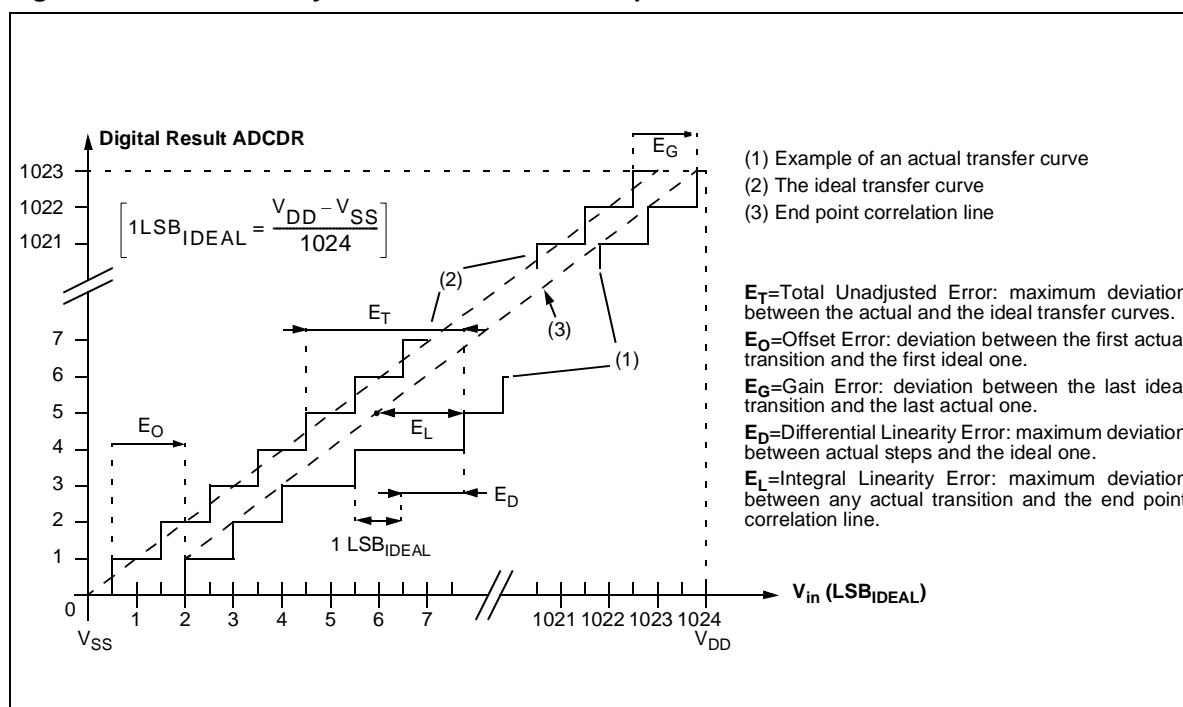
1) Data based on characterization results over the whole temperature range, monitored in production.

2) Injecting negative current on any of the analog input pins significantly reduces the accuracy of any conversion being performed on any analog input.

Analog pins can be protected against negative injection by adding a Schottky diode (pin to ground). Injecting negative current on digital input pins degrades ADC accuracy especially if performed on a pin close to the analog input pins.

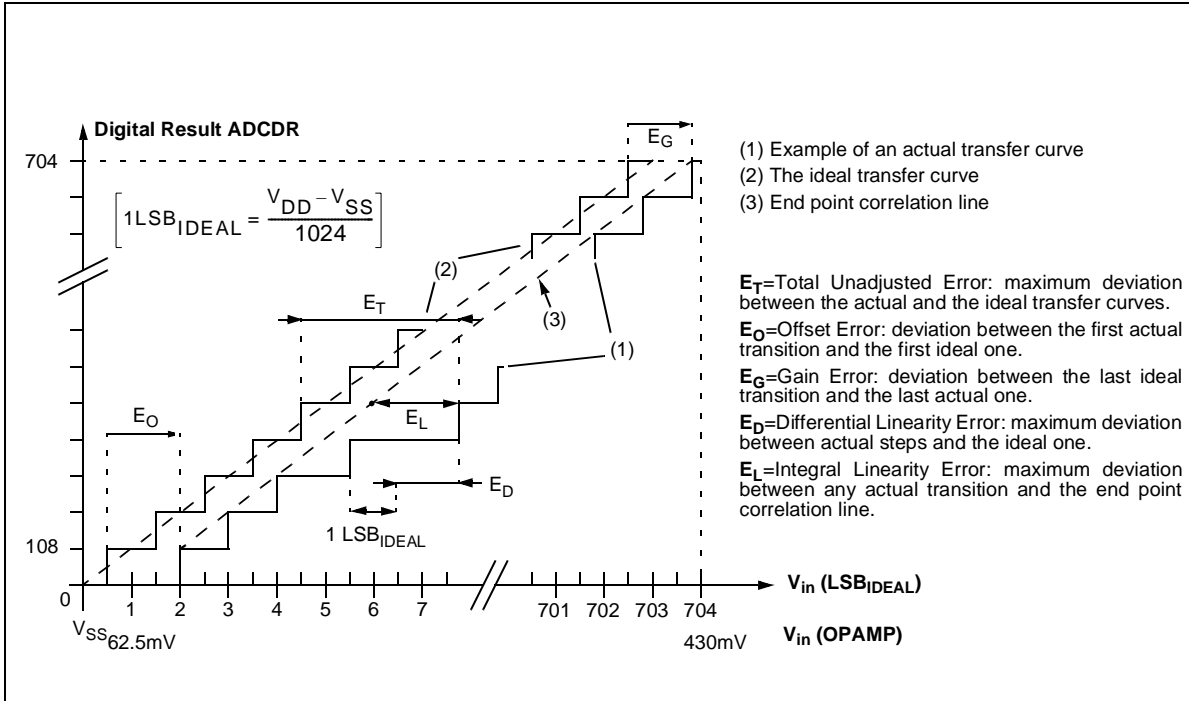
Any positive injection current within the limits specified for  $I_{INJ(PIN)}$  and  $\Sigma I_{INJ(PIN)}$  in Section 13.8 does not affect the ADC accuracy.

Figure 93. ADC Accuracy Characteristics with amplifier disabled

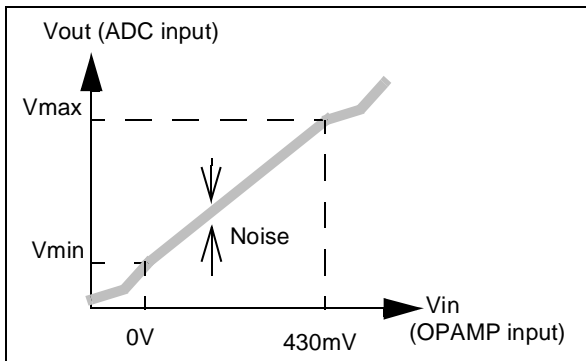


ADC CHARACTERISTICS (Cont'd)

Figure 94. ADC Accuracy Characteristics with amplifier enabled



**Note:** When the AMPSEL bit in the ADCDRL register is set, it is mandatory that  $f_{\text{ADC}}$  be less than or equal to 2 MHz. (if  $f_{\text{CPU}}=8\text{MHz}$ . then SPEED=0, SLOW=1).



**ADC CHARACTERISTICS** (Cont'd)

| Symbol        | Parameter                                 | Conditions           | Min    | Typ | Max | Unit |
|---------------|---|----------------------|--------|-----|-----|------|
| $V_{DD(AMP)}$ | Amplifier operating voltage               |                      | 4.5    |     | 5.5 | V    |
| $V_{IN}$      | Amplifier input voltage                   | $V_{DD}=5V$          | 62.5   |     | 430 | mV   |
| $V_{OFFSET}$  | Amplifier offset voltage                  |                      |        | 175 |     | mV   |
| $V_{STEP}$    | Step size for monotonicity <sup>3)</sup>  |                      | 5      |     |     | mV   |
| Linearity     | Output Voltage Response                   |                      | Linear |     |     |      |
| Gain factor   | Amplified Analog input Gain <sup>2)</sup> |                      |        | 8   |     |      |
| $V_{max}$     | Output Linearity Max Voltage              | $V_{INmax} = 430mV,$ |        |     |     | V    |
| $V_{min}$     | Output Linearity Min Voltage              | $V_{DD}=5V$          |        |     |     | V    |

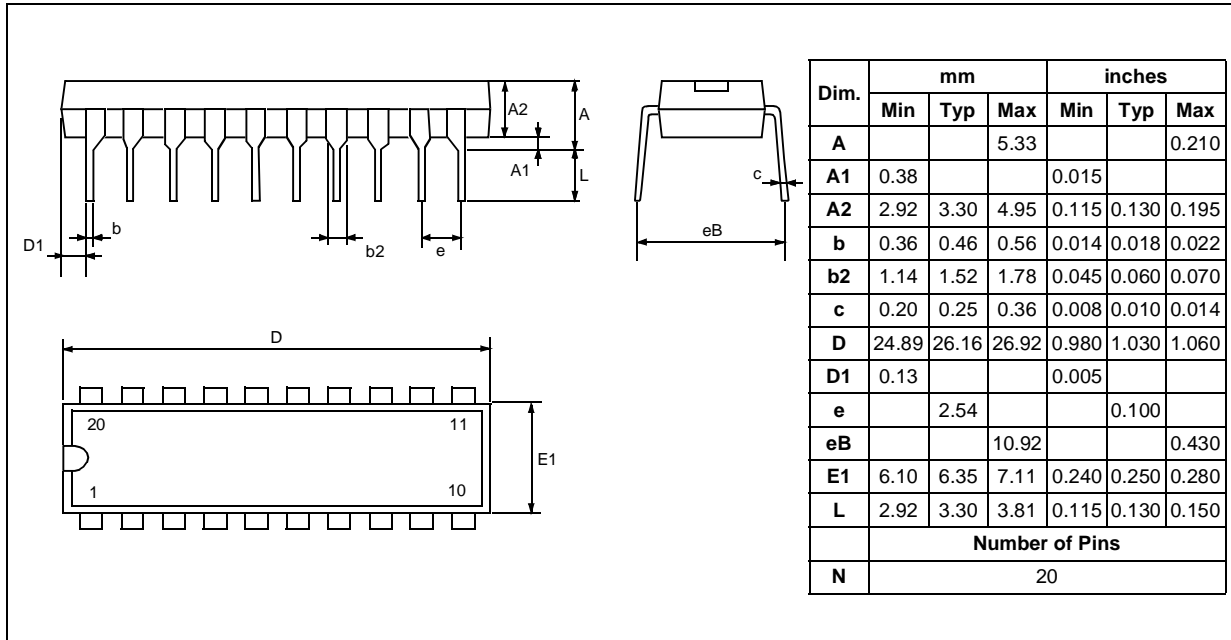
**Notes:**

- 1) Data based on characterization results over the whole temperature range, not tested in production.
- 2) For precise conversion results it is recommended to calibrate the amplifier at the following two points:
  - offset at  $V_{INmin} = 0V$
  - gain at full scale (for example  $V_{IN}=250mV$ )
- 3) Monotonicity guaranteed if  $V_{IN}$  increases or decreases in steps of min. 5mV.

## 14 PACKAGE CHARACTERISTICS

### 14.1 PACKAGE MECHANICAL DATA

Figure 95. 20-Pin Plastic Dual In-Line Package, 300-mil Width



**PACKAGE CHARACTERISTICS (Cont'd)****Table 21. THERMAL CHARACTERISTICS**

| Symbol     | Ratings  | Value | Unit |
|------------|--|-------|------|
| $R_{thJA}$ | Package thermal resistance (junction to ambient) | TBD   | °C/W |
| $P_D$      | Power dissipation <sup>1)</sup>                  | 500   | mW   |
| $T_{Jmax}$ | Maximum junction temperature <sup>2)</sup>       | 150   | °C   |

**Notes:**

1. The power dissipation is obtained from the formula  $P_D = P_{INT} + P_{PORT}$  where  $P_{INT}$  is the chip internal power ( $I_{DD} \times V_{DD}$ ) and  $P_{PORT}$  is the port power dissipation determined by the user.
2. The average chip-junction temperature can be obtained from the formula  $T_J = T_A + P_D \times R_{thJA}$ .

14.2 SOLDERING AND GLUEABILITY INFORMATION

Recommended soldering information given only as design guidelines.

Figure 96. Recommended Wave Soldering Profile (with 37% Sn and 63% Pb)

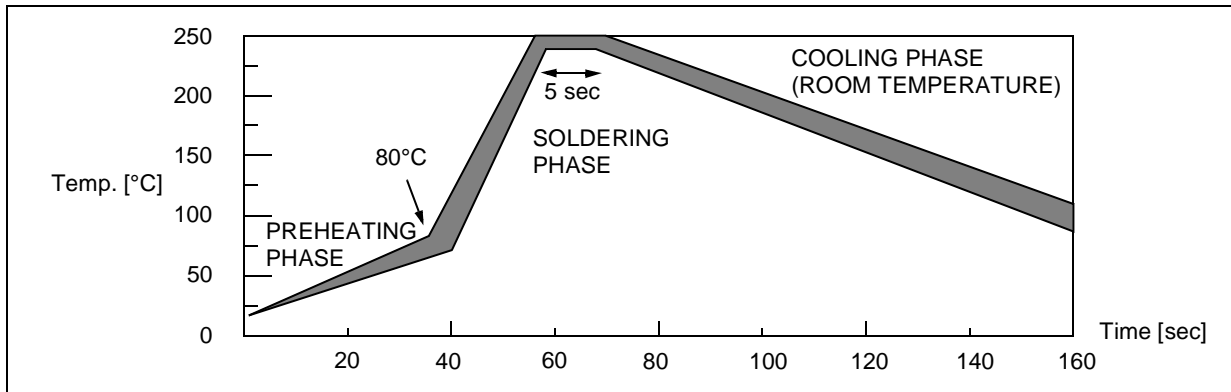
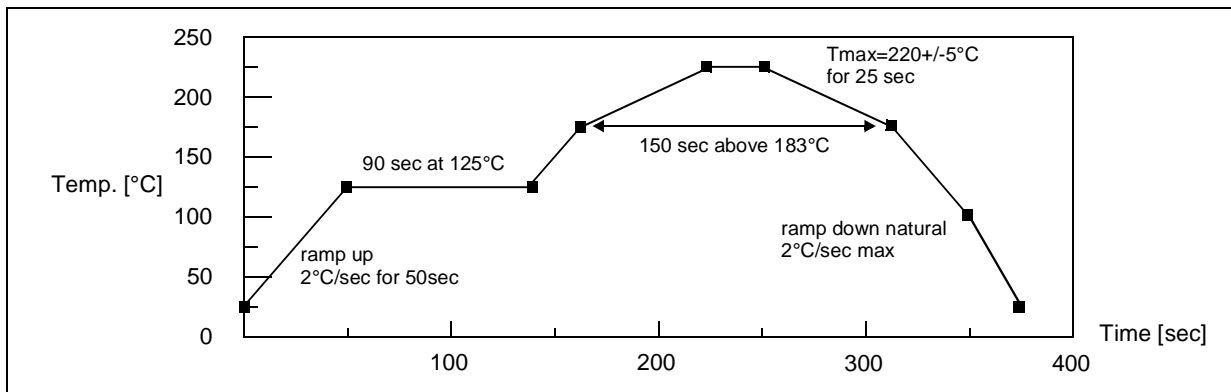


Figure 97. Recommended Reflow Soldering Oven Profile (MID JEDEC)



Recommended glue for SMD plastic packages:

- Heraeus: PD945, PD955
- Loctite: 3615, 3298

## 15 DEVICE CONFIGURATION AND ORDERING INFORMATION

Each device is available for production in a user programmable version (FLASH). FLASH devices are shipped to customers with a default content

(FFh). This implies that FLASH devices have to be configured by the customer using the Option Bytes.

### 15.1 OPTION BYTES

The two option bytes allow the hardware configuration of the microcontroller to be selected.

The option bytes can be accessed only in programming mode (for example using a standard ST7 programming tool).

#### OPTION BYTE 0

OPT7 = Reserved, must always be 1.

#### OPT6:4 = **OSCRANGE[2:0]** *Oscillator range*

When the internal RC oscillator is not selected (Option OSC=1), these option bits select the range of the resonator oscillator current source or the external clock source.

|                                     |         |           | OSCRANGE |   |   |
|-------------------------------------|---------|-----------|----------|---|---|
|                                     |         |           | 2        | 1 | 0 |
| Typ. frequency range with Resonator | LP      | 1~2MHz    | 0        | 0 | 0 |
|                                     | MP      | 2~4MHz    | 0        | 0 | 1 |
|                                     | MS      | 4~8MHz    | 0        | 1 | 0 |
|                                     | HS      | 8~16MHz   | 0        | 1 | 1 |
|                                     | VLP     | 32.768kHz | 1        | 0 | 0 |
| External Clock source: CLKIN        | on OSC1 |           | 1        | 0 | 1 |
|                                     | on PB4  |           | 1        | 1 | 1 |
| Reserved                            |         |           | 1        | 1 | 0 |

Note: When the internal RC oscillator is selected, the OSCRANGE option bits must be kept at their default value in order to select the 256 clock cycle delay (see [Section 7.5](#)).

#### OPT3:2 = **SEC[1:0]** *Sector 0 size definition*

These option bits indicate the size of sector 0 according to the following table.

| Sector 0 Size | SEC1 | SEC0 |
|---------------|------|------|
| 0.5k          | 0    | 0    |
| 1k            | 0    | 1    |
| 2k            | 1    | 0    |
| 4k            | 1    | 1    |

#### OPT1 = **FMP\_R** *Read-out protection*

This option indicates if the FLASH program memory and Data EEPROM is protected against piracy. The read-out protection blocks access to the program and data areas in any mode except user mode and IAP mode. Erasing the option bytes when the FMP\_R option is selected will cause the whole memory to be erased first and the device can be reprogrammed. Refer to the ST7 Flash Programming Reference Manual and [section 4.5 on page 14](#) for more details

0: Read-out protection off

1: Read-out protection on

#### OPT0 = **FMP\_W** *FLASH write protection*

This option indicates if the FLASH program memory is write protected.

**Warning:** When this option is selected, the program memory (and the option bit itself) can never be erased or programmed again.

0: Write protection off

1: Write protection on

|               | OPTION BYTE 0 |              |   |   |      |      |       |       | OPTION BYTE 1 |          |         |           |     |      |      |        |
|---------------|---------------|--------------|---|---|------|------|-------|-------|---------------|----------|---------|-----------|-----|------|------|--------|
|               | 7             | OSCRANGE 2:0 |   |   | SEC1 | SEC0 | FMP R | FMP W | 7             | PLL x4x8 | PLL OFF | PLL32 OFF | OSC | LVD1 | LVD0 | WDG SW |
| Default Value | 1             | 1            | 1 | 1 | 1    | 1    | 0     | 0     | 1             | 1        | 1       | 0         | 1   | 1    | 1    | 1      |

OPTION BYTES (Cont'd)

OPTION BYTE 1

OPT7 = **PLLx4x8** PLL Factor selection.

- 0: PLLx4
- 1: PLLx8

OPT6 = **PLLOFF** PLL disable.

- 0: PLL enabled
- 1: PLL disabled (by-passed)

OPT5 = **PLL32OFF** 32MHz PLL disable.

- 0: PLL32 enabled
- 1: PLL32 disabled (by-passed)

OPT4 = **OSC RC** Oscillator selection

- 0: RC oscillator on
- 1: RC oscillator off

**Note:** 1% RC oscillator available on ST7LITE15 and ST7LITE19 devices only

OPT3:2 = **LVD[1:0]** Low voltage detection selection

These option bits enable the LVD block with a selected threshold as shown in [Table 22](#).

Table 22. LVD Threshold Configuration

| Configuration                     | LVD1 | LVD0 |
|-----------------------------------|------|------|
| LVD Off                           | 1    | 1    |
| Highest Voltage Threshold (~4.1V) | 1    | 0    |
| Medium Voltage Threshold (~3.5V)  | 0    | 1    |
| Lowest Voltage Threshold (~2.8V)  | 0    | 0    |

Each device is available for production in a user programmable version (FLASH). FLASH devices are shipped to customers with a default content (FFh). This implies that FLASH devices have to be configured by the customer using the Option Bytes.

OPT1 = **WDG SW** Hardware or Software Watchdog

This option bit selects the watchdog type.  
 0: Hardware (watchdog always enabled)  
 1: Software (watchdog to be enabled by software)

OPT0 = **WDG HALT** Watchdog Reset on Halt

This option bit determines if a RESET is generated when entering HALT mode while the Watchdog is active.  
 0: No Reset generation when entering Halt mode  
 1: Reset generation when entering Halt mode

Table 23. List of valid option combinations

| Operating conditions  |  | Option Bits |                      |     |        |         |
|-----------------------|--|-------------|----------------------|-----|--------|---------|
| V <sub>DD</sub> range | Clock Source   | PLL         | Typ f <sub>CPU</sub> | OSC | PLLOFF | PLLx4x8 |
| 2.4V - 3.3V           | Internal RC 1% <sup>1)</sup>                                 | off         | 0.7MHz @3V           | 0   | 1      | x       |
|                       |  | x4          | 2.8MHz @3V           | 0   | 0      | 0       |
|                       |  | x8          | -                    | -   | -      | -       |
|                       | External clock or oscillator (depending on OPT6:4 selection) | off         | 0-4MHz               | 1   | 1      | x       |
|                       |  | x4          | 4MHz                 | 1   | 0      | 0       |
|                       |  | x8          | -                    | -   | -      | -       |
| 3.3V - 5.5V           | Internal RC 1% <sup>1)</sup>                                 | off         | 1MHz @5V             | 0   | 1      | x       |
|                       |  | x4          | -                    | -   | -      | -       |
|                       |  | x8          | 8MHz @5V             | 0   | 0      | 1       |
|                       | External clock or oscillator (depending on OPT6:4 selection) | off         | 0-8MHz               | 1   | 1      | x       |
|                       |  | x4          | -                    | -   | -      | -       |
|                       |  | x8          | 8 MHz                | 1   | 0      | 1       |

Note 1: Configuration available on ST7LITE15 and ST7LITE19 devices only

**Note:** see Clock Management Block diagram in [Figure 13](#)

**15.2 DEVICE ORDERING INFORMATION****Table 24. Supported part numbers**

| Part Number    | Program Memory (Bytes) | RAM (Bytes) | Data EEPROM (Bytes) | Temp. Range   | Package |
|----------------|------------------------|-------------|---------------------|---------------|---------|
| ST7FLITE10F1B6 | 4K FLASH               | 256         | -                   | -40°C to 85°C | DIP20   |
| ST7FLITE10F1M6 |                        |             |                     |               | SO20    |
| ST7FLITE15F1B6 |                        |             | -                   |               | DIP20   |
| ST7FLITE15F1M6 |                        |             |                     |               | SO20    |
| ST7FLITE19F1B6 |                        |             | 128                 |               | DIP20   |
| ST7FLITE19F1M6 |                        |             |                     |               | SO20    |

### 15.3 DEVELOPMENT TOOLS

STmicroelectronics offers a range of hardware and software development tools for the ST7 microcontroller family. Full details of tools available for the ST7 from third party manufacturers can be obtained from the STMicroelectronics Internet site:  
 → <http://mcu.st.com>.

Tools from these manufacturers include C compilers, emulators and gang programmers.

#### STMicroelectronics Tools

Two types of development tool are offered by ST, all of them connect to a PC via a parallel (LPT) or USB port: see [Table 25](#) and [Table 26](#) for more details.

#### ST Emulators

The emulator is delivered with everything (probes, TEB, adapters etc.) needed to start emulating the devices. To configure the emulator to emulate different ST7 subfamily devices, the active probe for the ST7 EMU3 can be changed and the ST7EMU3 probe is designed for easy interchange of TEBs (Target Emulation Board). See [Table 26](#) for more details.

**Table 25. STMicroelectronics Tools Features**

|                              | In-Circuit Emulation  | Programming Capability <sup>1)</sup> | Software Included  |
|------------------------------|---|--------------------------------------|--|
| <b>ST7 EMU3 Emulator</b>     | Yes, powerful emulation features including trace/logic analyzer | No                                   | ST7 CD-ROM with:<br>– ST7 Assembly toolchain<br>– STVD7 powerful Source Level Debugger for Win 9x, Win 2000, ME and NT4.0<br>– C compiler demo versions<br>– ST Realizer for Win 95.<br>Windows Programming Tools for Win 9x, NT4.0, 2000 and ME |
| <b>ST7 Programming Board</b> | No  | Yes (All packages)                   |  |

**Note:**

1. In-Circuit Programming (ICP) interface for FLASH devices.

**Table 26. Dedicated STMicroelectronics Development Tools**

| Supported Products                     | ST7 Development Kit | ST7 Emulator  | Active Probe & TEB | ST7 Programming Board                                 |
|--|---------------------|---------------|--------------------|---|
| ST7FLITE10<br>ST7FLITE15<br>ST7FLITE19 | N/A                 | ST7MDT10-EMU3 | ST7MDT10-TEB       | ST7MDT10-EPB/EU<br>ST7MDT10-EPB/US<br>ST7MDT10-EPB/UK |
|  |                     |               |                    | ST7-STICK/EU<br>ST7-STICK/US<br>ST7-STICK/UK          |

## 15.4 ST7 APPLICATION NOTES

| IDENTIFICATION              | DESCRIPTION  |
|-----------------------------|--|
| <b>EXAMPLE DRIVERS</b>      |  |
| AN 969                      | SCI COMMUNICATION BETWEEN ST7 AND PC   |
| AN 970                      | SPI COMMUNICATION BETWEEN ST7 AND EEPROM   |
| AN 971                      | I <sup>2</sup> C COMMUNICATING BETWEEN ST7 AND M24CXX EEPROM                         |
| AN 972                      | ST7 SOFTWARE SPI MASTER COMMUNICATION  |
| AN 973                      | SCI SOFTWARE COMMUNICATION WITH A PC USING ST72251 16-BIT TIMER                      |
| AN 974                      | REAL TIME CLOCK WITH ST7 TIMER OUTPUT COMPARE  |
| AN 976                      | DRIVING A BUZZER THROUGH ST7 TIMER PWM FUNCTION                                      |
| AN 979                      | DRIVING AN ANALOG KEYBOARD WITH THE ST7 ADC  |
| AN 980                      | ST7 KEYPAD DECODING TECHNIQUES, IMPLEMENTING WAKE-UP ON KEYSTROKE                    |
| AN1017                      | USING THE ST7 UNIVERSAL SERIAL BUS MICROCONTROLLER                                   |
| AN1041                      | USING ST7 PWM SIGNAL TO GENERATE ANALOG OUTPUT (SINUSOID)                            |
| AN1042                      | ST7 ROUTINE FOR I <sup>2</sup> C SLAVE MODE MANAGEMENT                               |
| AN1044                      | MULTIPLE INTERRUPT SOURCES MANAGEMENT FOR ST7 MCUS                                   |
| AN1045                      | ST7 S/W IMPLEMENTATION OF I <sup>2</sup> C BUS MASTER                                |
| AN1046                      | UART EMULATION SOFTWARE  |
| AN1047                      | MANAGING RECEPTION ERRORS WITH THE ST7 SCI PERIPHERALS                               |
| AN1048                      | ST7 SOFTWARE LCD DRIVER  |
| AN1078                      | PWM DUTY CYCLE SWITCH IMPLEMENTING TRUE 0% & 100% DUTY CYCLE                         |
| AN1082                      | DESCRIPTION OF THE ST72141 MOTOR CONTROL PERIPHERAL REGISTERS                        |
| AN1083                      | ST72141 BLDC MOTOR CONTROL SOFTWARE AND FLOWCHART EXAMPLE                            |
| AN1105                      | ST7 PCAN PERIPHERAL DRIVER   |
| AN1129                      | PERMANENT MAGNET DC MOTOR DRIVE.   |
| AN1130                      | AN INTRODUCTION TO SENSORLESS BRUSHLESS DC MOTOR DRIVE APPLICATIONS WITH THE ST72141 |
| AN1148                      | USING THE ST7263 FOR DESIGNING A USB MOUSE   |
| AN1149                      | HANDLING SUSPEND MODE ON A USB MOUSE   |
| AN1180                      | USING THE ST7263 KIT TO IMPLEMENT A USB GAME PAD                                     |
| AN1276                      | BLDC MOTOR START ROUTINE FOR THE ST72141 MICROCONTROLLER                             |
| AN1321                      | USING THE ST72141 MOTOR CONTROL MCU IN SENSOR MODE                                   |
| AN1325                      | USING THE ST7 USB LOW-SPEED FIRMWARE V4.X  |
| AN1445                      | USING THE ST7 SPI TO EMULATE A 16-BIT SLAVE  |
| AN1475                      | DEVELOPING AN ST7265X MASS STORAGE APPLICATION                                       |
| AN1504                      | STARTING A PWM SIGNAL DIRECTLY AT HIGH LEVEL USING THE ST7 16-BIT TIMER              |
| <b>PRODUCT EVALUATION</b>   |  |
| AN 910                      | PERFORMANCE BENCHMARKING   |
| AN 990                      | ST7 BENEFITS VERSUS INDUSTRY STANDARD  |
| AN1077                      | OVERVIEW OF ENHANCED CAN CONTROLLERS FOR ST7 AND ST9 MCUS                            |
| AN1086                      | U435 CAN-DO SOLUTIONS FOR CAR MULTIPLEXING   |
| AN1150                      | BENCHMARK ST72 VS PC16   |
| AN1151                      | PERFORMANCE COMPARISON BETWEEN ST72254 & PC16F876                                    |
| AN1278                      | LIN (LOCAL INTERCONNECT NETWORK) SOLUTIONS   |
| <b>PRODUCT MIGRATION</b>    |  |
| AN1131                      | MIGRATING APPLICATIONS FROM ST72511/311/214/124 TO ST72521/321/324                   |
| AN1322                      | MIGRATING AN APPLICATION FROM ST7263 REV.B TO ST7263B                                |
| AN1365                      | GUIDELINES FOR MIGRATING ST72C254 APPLICATION TO ST72F264                            |
| <b>PRODUCT OPTIMIZATION</b> |  |

## ST7LITE1

| IDENTIFICATION               | DESCRIPTION   |
|------------------------------|---|
| AN 982                       | USING ST7 WITH CERAMIC RESONATOR  |
| AN1014                       | HOW TO MINIMIZE THE ST7 POWER CONSUMPTION                                       |
| AN1015                       | SOFTWARE TECHNIQUES FOR IMPROVING MICROCONTROLLER EMC PERFORMANCE               |
| AN1040                       | MONITORING THE VBUS SIGNAL FOR USB SELF-POWERED DEVICES                         |
| AN1070                       | ST7 CHECKSUM SELF-CHECKING CAPABILITY   |
| AN1324                       | CALIBRATING THE RC OSCILLATOR OF THE ST7FLITE0 MCU USING THE MAINS              |
| AN1477                       | EMULATED DATA EEPROM WITH XFLASH MEMORY   |
| AN1502                       | EMULATED DATA EEPROM WITH ST7 HDFLASH MEMORY                                    |
| AN1529                       | EXTENDING THE CURRENT & VOLTAGE CAPABILITY ON THE ST7265 VDDF SUPPLY            |
| AN1530                       | ACCURATE TIMEBASE FOR LOW-COST ST7 APPLICATIONS WITH INTERNAL RC OSCILLATOR     |
| <b>PROGRAMMING AND TOOLS</b> |   |
| AN 978                       | KEY FEATURES OF THE STVD7 ST7 VISUAL DEBUG PACKAGE                              |
| AN 983                       | KEY FEATURES OF THE COSMIC ST7 C-COMPILER PACKAGE                               |
| AN 985                       | EXECUTING CODE IN ST7 RAM   |
| AN 986                       | USING THE INDIRECT ADDRESSING MODE WITH ST7                                     |
| AN 987                       | ST7 SERIAL TEST CONTROLLER PROGRAMMING  |
| AN 988                       | STARTING WITH ST7 ASSEMBLY TOOL CHAIN   |
| AN 989                       | GETTING STARTED WITH THE ST7 HIWARE C TOOLCHAIN                                 |
| AN1039                       | ST7 MATH UTILITY ROUTINES   |
| AN1064                       | WRITING OPTIMIZED HIWARE C LANGUAGE FOR ST7                                     |
| AN1071                       | HALF DUPLEX USB-TO-SERIAL BRIDGE USING THE ST72611 USB MICROCONTROLLER          |
| AN1106                       | TRANSLATING ASSEMBLY CODE FROM HC05 TO ST7                                      |
| AN1179                       | PROGRAMMING ST7 FLASH MICROCONTROLLERS IN REMOTE ISP MODE (IN-SITU PROGRAMMING) |
| AN1446                       | USING THE ST72521 EMULATOR TO DEBUG A ST72324 TARGET APPLICATION                |
| AN1478                       | PORTING AN ST7 PANTA PROJECT TO CODEWARRIOR IDE                                 |
| AN1527                       | DEVELOPING A USB SMARTCARD READER WITH ST7SCR                                   |
| AN1575                       | ON-BOARD PROGRAMMING METHODS FOR XFLASH AND HDFLASH ST7 MCUS                    |

## 16 IMPORTANT NOTES

### 16.1 EXECUTION OF BTJX INSTRUCTION

When testing the address \$FF with the "BTJT" or "BTJF" instructions, the CPU may perform an incorrect operation when the relative jump is negative and performs an address page change.

To avoid this issue, including when using a C compiler, it is recommended to never use address \$00FF as a variable (using the linker parameter for example).

### 16.2 ADC CONVERSION SPURIOUS RESULTS

Spurious conversions occur with a rate lower than 50 per million. Such conversions happen when the measured voltage is just between 2 consecutive digital values.

#### Workaround

A software filter should be implemented to remove erratic conversion results whenever they may cause unwanted consequences.

### 16.3 A/D CONVERTER ACCURACY FOR FIRST CONVERSION

When the ADC is enabled after being powered down (for example when waking up from HALT, ACTIVE-HALT or setting the ADON bit in the ADCCSR register), the first conversion (8-bit or 10-bit) accuracy does not meet the accuracy specified in the datasheet.

#### Workaround

In order to have the accuracy specified in the datasheet, the first conversion after a ADC switch-on has to be ignored.

**17 SUMMARY OF CHANGES**

| Revision | Main changes  | Date    |
|----------|---|---------|
| 1.3      | Changed <a href="#">section 3 on page 9</a> and <a href="#">Figure 4</a><br>Added note on RC oscillator in <a href="#">section 7 on page 23</a> (main features) and changed <a href="#">section 7.1 on page 23</a> : removed reference to ST7LITE10 in RCCR table<br>Changed <a href="#">Figure 13 on page 25</a> (CLKIN/2, OSC/2)<br>Added note in <a href="#">section 7.4 on page 26</a> (external clock source paragraph)<br>Changed <a href="#">section 13.3.1 on page 93</a> : $f_{CLKIN}$ instead of $f_{OSC}$<br>Added note in the description of OSC option bit and in Table 23, "List of valid option combinations," on page 124 | July 03 |

**Notes:**

Information furnished is believed to be accurate and reliable. However, STMicroelectronics assumes no responsibility for the consequences of use of such information nor for any infringement of patents or other rights of third parties which may result from its use. No license is granted by implication or otherwise under any patent or patent rights of STMicroelectronics. Specifications mentioned in this publication are subject to change without notice. This publication supersedes and replaces all information previously supplied. STMicroelectronics products are not authorized for use as critical components in life support devices or systems without the express written approval of STMicroelectronics.

The ST logo is a registered trademark of STMicroelectronics

©2003 STMicroelectronics - All Rights Reserved.

Purchase of I<sup>2</sup>C Components by STMicroelectronics conveys a license under the Philips I<sup>2</sup>C Patent. Rights to use these components in an I<sup>2</sup>C system is granted provided that the system conforms to the I<sup>2</sup>C Standard Specification as defined by Philips.



STMicroelectronics Group of Companies

Australia - Brazil - Canada - China - Finland - France - Germany - Hong Kong - India - Israel - Italy - Japan  
Malaysia - Malta - Morocco - Singapore - Spain - Sweden - Switzerland - United Kingdom - U.S.A.


<http://www.st.com>

## Looking for pricing, stock, or lifecycle information?

Click below to explore more details on WIN SOURCE:

-  [View ST7FLITE19F1B6 on WIN SOURCE](#)
-  [STMicroelectronics](#) Information

## Optimize Your Supply Chain with WIN SOURCE Solutions

-  Global Sourcing Solution
-  Obsolete Management
-  Cost Control Management
-  Shortage Management
-  Alternative Solution
-  Excess Inventory Management