



**THE DATASHEET OF
LPC824M201JDH20J**





LPC82x

32-bit ARM® Cortex®-M0+ microcontroller; up to 32 kB flash and 8 kB SRAM; 12-bit ADC; comparator

Rev. 1.5 — 7 February 2023

Product data sheet

1. General description

The LPC82x are an ARM Cortex-M0+ based, low-cost 32-bit MCU family operating at CPU frequencies of up to 30 MHz. The LPC82x support up to 32 KB of flash memory and 8 KB of SRAM.

The peripheral complement of the LPC82x includes a CRC engine, four I²C-bus interfaces, up to three USARTs, up to two SPI interfaces, one multi-rate timer, self-wake-up timer, and state-configurable timer with PWM function (SCTimer/PWM), a DMA, one 12-bit ADC and one analog comparator, function-configurable I/O ports through a switch matrix, an input pattern match engine, and up to 29 general-purpose I/O pins.

For additional documentation related to the LPC82x parts, see [Section 18](#).

2. Features and benefits

- System:
 - ◆ ARM Cortex-M0+ processor (revision r0p1), running at frequencies of up to 30 MHz with single-cycle multiplier and fast single-cycle I/O port.
 - ◆ ARM Cortex-M0+ built-in Nested Vectored Interrupt Controller (NVIC).
 - ◆ System tick timer.
 - ◆ AHB multilayer matrix.
 - ◆ Serial Wire Debug (SWD) with four break points and two watch points. JTAG boundary scan (BSDL) supported.
 - ◆ MTB
- Memory:
 - ◆ Up to 32 KB on-chip flash programming memory with 64 Byte page write and erase. Code Read Protection (CRP) supported.
 - ◆ 8 KB SRAM.
- ROM API support:
 - ◆ Boot loader.
 - ◆ On-chip ROM APIs for ADC, SPI, I2C, USART, power configuration (power profiles) and integer divide.
 - ◆ Flash In-Application Programming (IAP) and In-System Programming (ISP).
- Digital peripherals:
 - ◆ High-speed GPIO interface connected to the ARM Cortex-M0+ IO bus with up to 29 General-Purpose I/O (GPIO) pins with configurable pull-up/pull-down resistors, programmable open-drain mode, input inverter, and digital filter. GPIO direction control supports independent set/clear/toggle of individual bits.
 - ◆ High-current source output driver (20 mA) on four pins.



- ◆ High-current sink driver (20 mA) on two true open-drain pins.
- ◆ GPIO interrupt generation capability with boolean pattern-matching feature on eight GPIO inputs.
- ◆ Switch matrix for flexible configuration of each I/O pin function.
- ◆ CRC engine.
- ◆ DMA with 18 channels and 9 trigger inputs.
- Timers:
 - ◆ State Configurable Timer (SCTimer/PWM) with input and output functions (including capture and match) for timing and PWM applications. Each SCTimer/PWM input is multiplexed to allow selecting from several input sources such as pins, ADC interrupt, or comparator output.
 - ◆ Four channel Multi-Rate Timer (MRT) for repetitive interrupt generation at up to four programmable, fixed rates.
 - ◆ Self-Wake-up Timer (WKT) clocked from either the IRC, a low-power, low-frequency internal oscillator, or an external clock input in the always-on power domain.
 - ◆ Windowed Watchdog timer (WWDT).
- Analog peripherals:
 - ◆ One 12-bit ADC with up to 12 input channels with multiple internal and external trigger inputs and with sample rates of up to 1.2 Msamples/s. The ADC supports two independent conversion sequences.
 - ◆ Comparator with four input pins and external or internal reference voltage.
- Serial peripherals:
 - ◆ Three USART interfaces with pin functions assigned through the switch matrix and one common fractional baud rate generator.
 - ◆ Two SPI controllers with pin functions assigned through the switch matrix.
 - ◆ Four I²C-bus interfaces. One I2C supports Fast-mode Plus with 1 Mbit/s data rates on two true open-drain pins and listen mode. Three I2Cs support data rates up to 400 kbit/s on standard digital pins.
- Clock generation:
 - ◆ 12 MHz internal RC oscillator trimmed to 1.5 % accuracy that can optionally be used as a system clock.
 - ◆ Crystal oscillator with an operating range of 1 MHz to 25 MHz.
 - ◆ Programmable watchdog oscillator with a frequency range of 9.4 kHz to 2.3 MHz.
 - ◆ PLL allows CPU operation up to the maximum CPU rate without the need for a high-frequency crystal. May be run from the system oscillator, the external clock input, or the internal RC oscillator.
 - ◆ Clock output function with divider that can reflect all internal clock sources.
- Power control:
 - ◆ Power consumption in active mode as low as 90 uA/MHz in low-current mode using the IRC as the clock source.
 - ◆ Integrated PMU (Power Management Unit) to minimize power consumption.
 - ◆ Reduced power modes: Sleep mode, Deep-sleep mode, Power-down mode, and Deep power-down mode.
 - ◆ Wake-up from Deep-sleep and Power-down modes on activity on USART, SPI, and I2C peripherals.
 - ◆ Timer-controlled self wake-up from Deep power-down mode.

- ◆ Power-On Reset (POR).
- ◆ Brownout detect (BOD).
- Unique device serial number for identification.
- Single power supply (1.8 V to 3.6 V).
- Operating temperature range -40 °C to +105 °C.
- Available in a TSSOP20 and HVQFN33 (5x5) package.

3. Applications

- Sensor gateways
- Industrial
- Gaming controllers
- 8/16-bit applications
- Consumer
- Climate control
- Simple motor control
- Portables and wearables
- Lighting
- Motor control
- Fire and security applications

4. Ordering information

Table 1. Ordering information

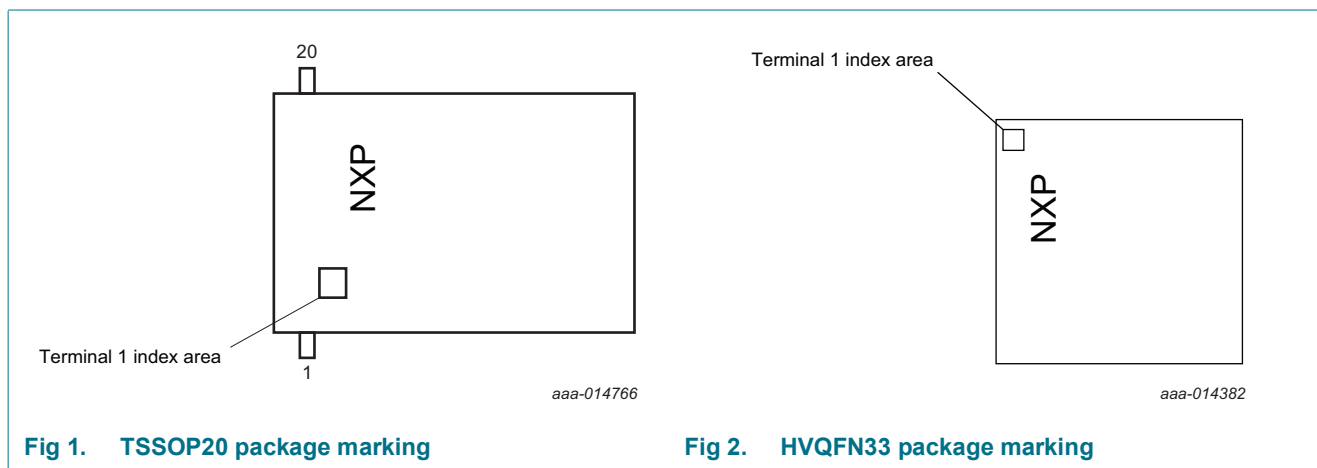
| Type number | Package | | |
|-----------------|---------|---|----------|
| | Name | Description | Version |
| LPC824M201JHI33 | HVQFN33 | HVQFN: plastic thermal enhanced very thin quad flat package; no leads; 33 terminals; body 5 × 5 × 0.85 mm | n/a |
| LPC822M101JHI33 | HVQFN33 | HVQFN: plastic thermal enhanced very thin quad flat package; no leads; 33 terminals; body 5 × 5 × 0.85 mm | n/a |
| LPC824M201JDH20 | TSSOP20 | plastic thin shrink small outline package; 20 leads; body width 4.4 mm | SOT360-1 |
| LPC822M101JDH20 | TSSOP20 | plastic thin shrink small outline package; 20 leads; body width 4.4 mm | SOT360-1 |

4.1 Ordering options

Table 2. Ordering options

| Type number | Flash/ KB | SRAM/ KB | USART | I ² C | SPI | ADC channels | Comparator | GPIO | Package |
|-----------------|--------------|-------------|-------|------------------|-----|-----------------|------------|------|---------|
| LPC824M201JHI33 | 32 | 8 | 3 | 4 | 2 | 12 | Y | 29 | HVQFN33 |
| LPC822M101JHI33 | 16 | 4 | 3 | 4 | 2 | 12 | Y | 29 | HVQFN33 |
| LPC824M201JDH20 | 32 | 8 | 3 | 4 | 2 | 5 | Y | 16 | TSSOP20 |
| LPC822M101JDH20 | 16 | 4 | 3 | 4 | 2 | 5 | y | 16 | TSSOP20 |

5. Marking



The HVQFN33 packages typically have the following top-side marking:

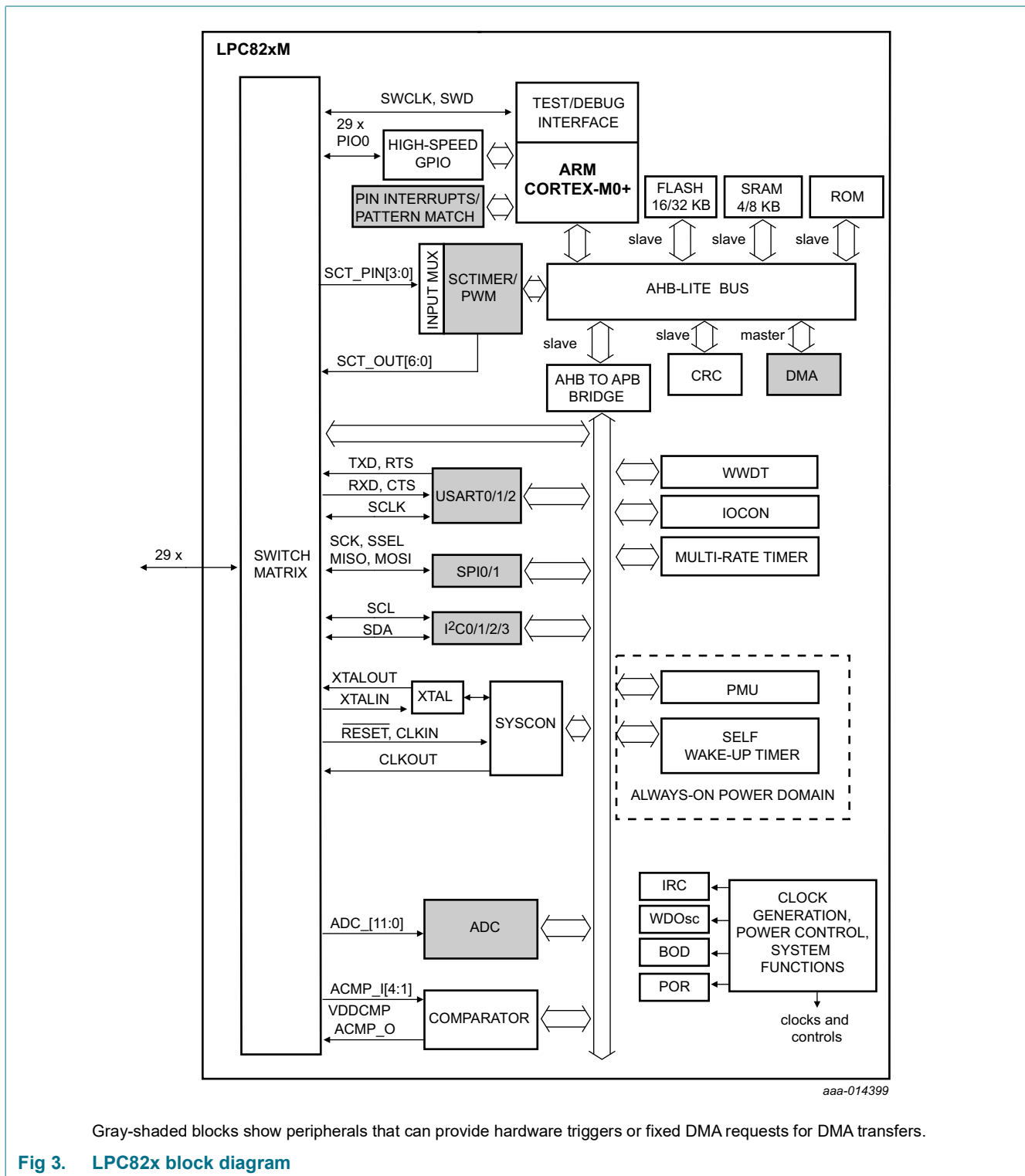
82xJ
 xx xx
 yywwxR or zyywwxR

The TSSOP20 packages typically have the following top-side marking:

LPC82x
 Mx01J
 xxxxxxxx
 zzywwxR

In the last line, field 'y' or 'yy' states the year the device was manufactured. Field 'ww' states the week the device was manufactured during that year. Field 'R' states the chip revision.

6. Block diagram



Gray-shaded blocks show peripherals that can provide hardware triggers or fixed DMA requests for DMA transfers.

Fig 3. LPC82x block diagram

7. Pinning information

7.1 Pinning

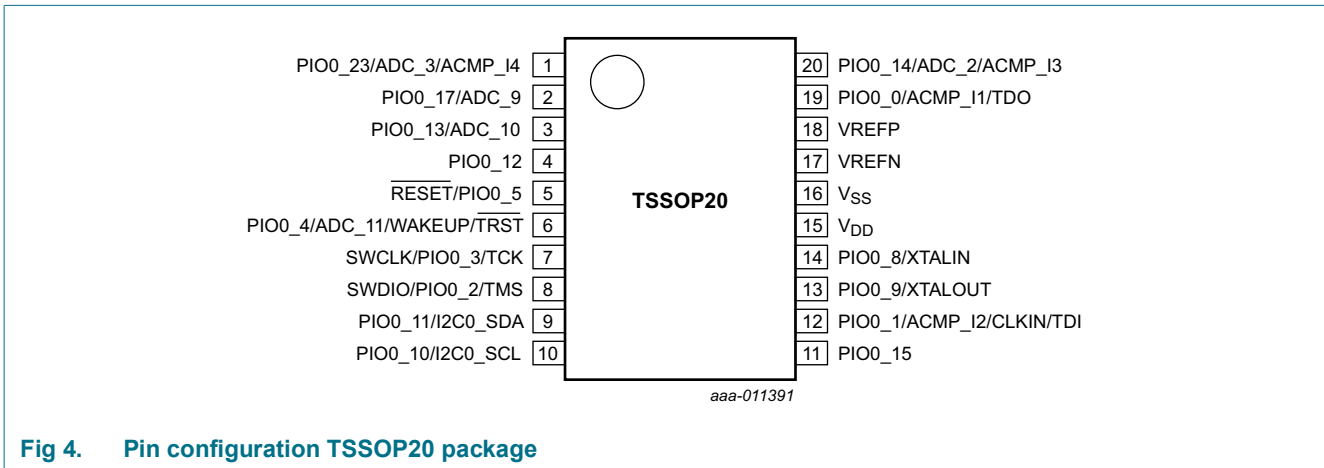


Fig 4. Pin configuration TSSOP20 package

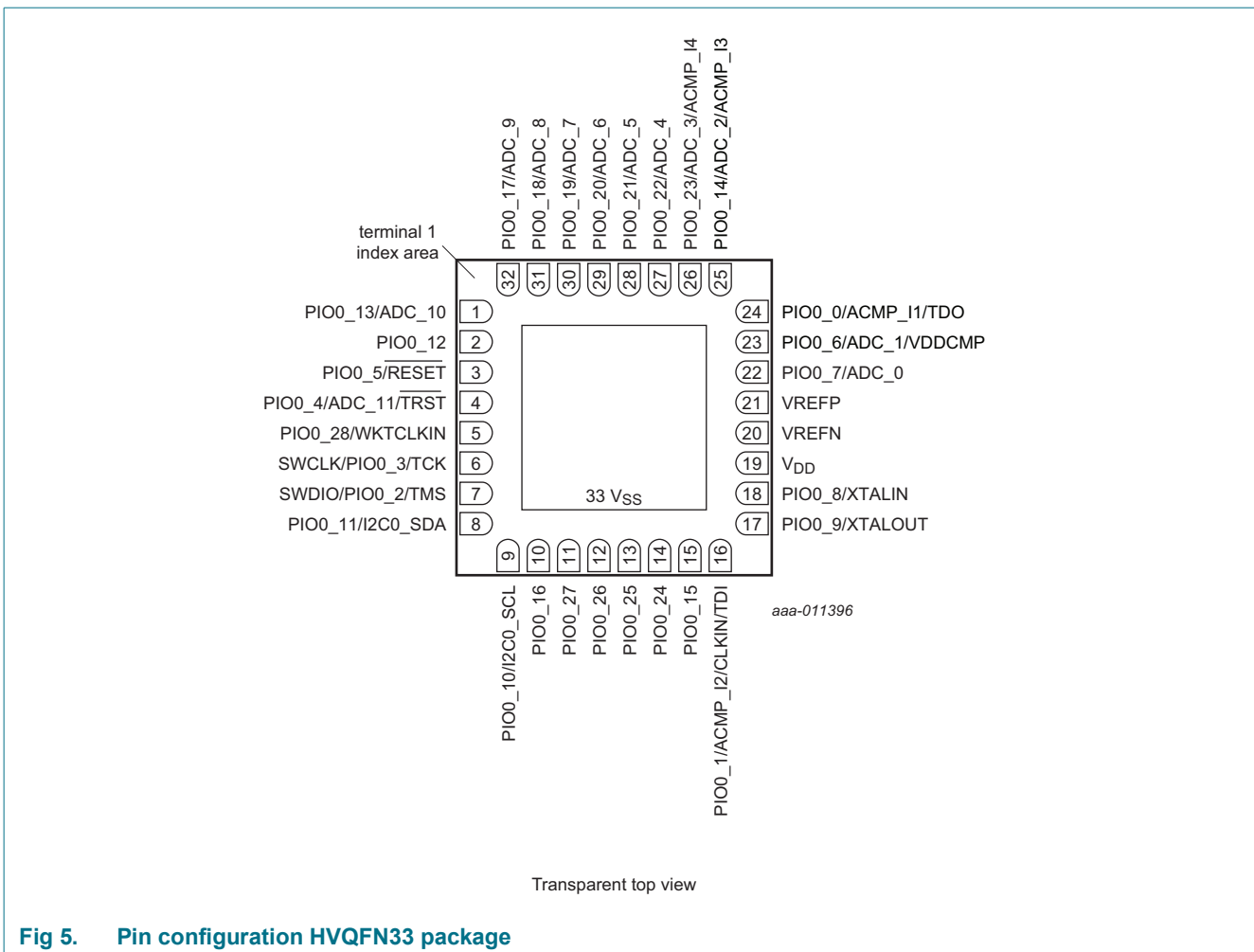


Fig 5. Pin configuration HVQFN33 package

7.2 Pin description

The pin description table [Table 3](#) shows the pin functions that are fixed to specific pins on each package. These fixed-pin functions are selectable through the switch matrix between GPIO and the comparator, ADC, SWD, RESET, and the XTAL pins. By default, the GPIO function is selected except on pins PIO0_2, PIO0_3, and PIO0_5. JTAG functions are available in boundary scan mode only.

Movable function for the I2C, USART, SPI, and SCT pin functions can be assigned through the switch matrix to any pin that is not power or ground in place of the pin's fixed functions.

The following exceptions apply:

Do not assign more than one output to any pin. However, more than one input can be assigned to a pin. Once any function is assigned to a pin, the pin's GPIO functionality is disabled.

Pin PIO0_4 triggers a wake-up from Deep power-down mode. If the part must wake up from Deep power-down mode via an external pin, do not assign any movable function to this pin.

The JTAG functions TDO, TDI, TCK, TMS, and $\overline{\text{TRST}}$ are selected on pins PIO0_0 to PIO0_4 by hardware when the part is in boundary scan mode.

Table 3. Pin description

| Symbol | TSSOP20 | HVQFN33 | | Reset state ^[1] | Type | Description |
|------------------------------|---------|---------|---------------------|----------------------------|------|---|
| PIO0_0/ACMP_I1/ TDO | 19 | 24 | [2] | I; PU | IO | PIO0_0 — General-purpose port 0 input/output 0. In ISP mode, this is the U0_RXD pin. In boundary scan mode: TDO (Test Data Out). |
| | | | | | A | ACMP_I1 — Analog comparator input 1. |
| PIO0_1/ACMP_I2/ CLKIN/TDI | 12 | 16 | [2] | I; PU | IO | PIO0_1 — General-purpose port 0 input/output 1. In boundary scan mode: TDI (Test Data In). |
| | | | | | A | ACMP_I2 — Analog comparator input 2. |
| | | | | | I | CLKIN — External clock input. |
| SWDIO/PIO0_2/ TMS | 8 | 7 | [4] | I; PU | IO | SWDIO — Serial Wire Debug I/O. SWDIO is enabled by default on this pin. In boundary scan mode: TMS (Test Mode Select). |
| | | | | | I/O | PIO0_2 — General-purpose port 0 input/output 2. |
| SWCLK/PIO0_3/ TCK | 7 | 6 | [4] | I; PU | I | SWCLK — Serial Wire Clock. SWCLK is enabled by default on this pin. In boundary scan mode: TCK (Test Clock). |
| | | | | | IO | PIO0_3 — General-purpose port 0 input/output 3. |

Table 3. Pin description

| Symbol | TSSOP20 | HVQFN33 | | Reset state ^[1] | Type | Description |
|-----------------------------------|---------|---------|----------------------|----------------------------|------|---|
| PIO0_4/ADC_11/ TRSTN/WAKEUP | 6 | 4 | [3] | I; PU | IO | PIO0_4 — General-purpose port 0 input/output 4. In boundary scan mode: $\overline{\text{TRST}}$ (Test Reset). In ISP mode, this pin is the U0_TXD pin. This pin triggers a wake-up from Deep power-down mode. If the part must wake up from Deep power-down mode via an external pin, do not assign any movable function to this pin. This pin should be pulled HIGH externally before entering Deep power-down mode. A LOW-going pulse as short as 50 ns causes the chip to exit Deep power-down mode and wakes up the part. |
| | | | | | A | ADC_11 — ADC input 11. |
| $\overline{\text{RESET}}$ /PIO0_5 | 5 | 3 | [7] | I; PU | IO | RESET — External reset input: A LOW-going pulse as short as 50 ns on this pin resets the device, causing I/O ports and peripherals to take on their default states, and processor execution to begin at address 0. In deep power-down mode, this pin must be pulled HIGH externally. The RESET pin can be left unconnected or be used as a GPIO or for any movable function if an external $\overline{\text{RESET}}$ function is not needed and the Deep power-down mode is not used. |
| | | | | | I | PIO0_5 — General-purpose port 0 input/output 5. |
| PIO0_6/ADC_1/ VDDCMP | - | 23 | [10] | I; PU | IO | PIO0_6 — General-purpose port 0 input/output 6. |
| | | | | | A | ADC_1 — ADC input 1. |
| | | | | | A | VDDCMP — Alternate reference voltage for the analog comparator. |
| PIO0_7/ADC_0 | - | 22 | [2] | I; PU | IO | PIO0_7 — General-purpose port 0 input/output 7. |
| | | | | | A | ADC_0 — ADC input 0. |
| PIO0_8/XTALIN | 14 | 18 | [8] | I; PU | IO | PIO0_8 — General-purpose port 0 input/output 8. |
| | | | | | A | XTALIN — Input to the oscillator circuit and internal clock generator circuits. Input voltage must not exceed 1.95 V. |
| PIO0_9/XTALOUT | 13 | 17 | [8] | I; PU | IO | PIO0_9 — General-purpose port 0 input/output 9. |
| | | | | | A | XTALOUT — Output from the oscillator circuit. |
| PIO0_10/I2C0_SCL | 10 | 9 | [6] | Inactive | I; F | PIO0_10 — General-purpose port 0 input/output 10 (open-drain). I2C0_SCL — Open-drain I ² C-bus clock input/output. High-current sink if I ² C Fast-mode Plus is selected in the I/O configuration register. |
| | | | | | I; F | PIO0_11 — General-purpose port 0 input/output 11 (open-drain). I2C0_SDA — Open-drain I ² C-bus data input/output. High-current sink if I ² C Fast-mode Plus is selected in the I/O configuration register. |
| PIO0_12 | 4 | 2 | [4] | I; PU | IO | PIO0_12 — General-purpose port 0 input/output 12. ISP entry pin. A LOW level on this pin during reset starts the ISP command handler. |
| PIO0_13/ADC_10 | 3 | 1 | [2] | I; PU | IO | PIO0_13 — General-purpose port 0 input/output 13. |
| | | | | | A | ADC_10 — ADC input 10. |

Table 3. Pin description

| Symbol | TSSOP20 | HVQFN33 | | Reset state ^[1] | Type | Description |
|---------------------------|---------|--------------------|---------------------|----------------------------|------|--|
| PIO0_14/ ACMP_I3/ADC_2 | 20 | 25 | [2] | I; PU | IO | PIO0_14 — General-purpose port 0 input/output 14. |
| | | | | | A | ACMP_I3 — Analog comparator common input 3. |
| | | | | | A | ADC_2 — ADC input 2. |
| PIO0_15 | 11 | 15 | [5] | I; PU | IO | PIO0_15 — General-purpose port 0 input/output 15. |
| PIO0_16 | - | 10 | [4] | I; PU | IO | PIO0_16 — General-purpose port 0 input/output 16. |
| PIO0_17/ADC_9 | 2 | 32 | [2] | I; PU | IO | PIO0_17 — General-purpose port 0 input/output 17. |
| | | | | | A | ADC_9 — ADC input 9. |
| PIO0_18/ADC_8 | - | 31 | [2] | I; PU | IO | PIO0_18 — General-purpose port 0 input/output 18. |
| | | | | | A | ADC_8 — ADC input 8. |
| PIO0_19/ADC_7 | - | 30 | [2] | I; PU | IO | PIO0_19 — General-purpose port 0 input/output 19. |
| | | | | | A | ADC_7 — ADC input 7. |
| PIO0_20/ADC_6 | - | 29 | [2] | I; PU | IO | PIO0_20 — General-purpose port 0 input/output 20. |
| | | | | | A | ADC_6 — ADC input 6. |
| PIO0_21/ADC_5 | - | 28 | [2] | I; PU | IO | PIO0_21 — General-purpose port 0 input/output 21. |
| | | | | | A | ADC_5 — ADC input 5. |
| PIO0_22/ADC_4 | - | 27 | [2] | I; PU | IO | PIO0_22 — General-purpose port 0 input/output 22. |
| | | | | | A | ADC_4 — ADC input 4. |
| PIO0_23/ADC_3/ ACMP_I4 | 1 | 26 | [2] | I; PU | IO | PIO0_23 — General-purpose port 0 input/output 23. |
| | | | | | A | ADC_3 — ADC input 3. |
| | | | | | A | ACMP_I4 — Analog comparator common input 4. |
| PIO0_24 | - | 14 | [5] | I; PU | IO | PIO0_24 — General-purpose port 0 input/output 24. |
| PIO0_25 | - | 13 | [5] | I; PU | IO | PIO0_25 — General-purpose port 0 input/output 25. |
| PIO0_26 | - | 12 | [5] | I; PU | IO | PIO0_26 — General-purpose port 0 input/output 26. |
| PIO0_27 | - | 11 | [5] | I; PU | IO | PIO0_27 — General-purpose port 0 input/output 27. |
| PIO0_28/ WKTCLKIN | - | 5 | [3] | I; PU | IO | PIO0_28 — General-purpose port 0 input/output 28. This pin can host an external clock for the self-wake-up timer. To use the pin as a self-wake-up timer clock input, select the external clock in the wake-up timer CTRL register. The external clock input is active in all power modes, including deep power-down. |
| V _{DD} | 15 | 19 | - | - | - | Supply voltage for the I/O pad ring, the core voltage regulator, and the analog peripherals. |
| V _{SS} | 16 | 33 ^[11] | - | - | - | Ground. |
| VREFN | 17 | 20 | - | - | - | ADC negative reference voltage. |
| VREFP | 18 | 21 | - | - | - | ADC positive reference voltage. Must be equal or lower than V _{DD} . |

[1] Pin state at reset for default function: I = Input; AI = Analog Input; O = Output; PU = internal pull-up enabled (pins pulled up to full V_{DD} level); IA = inactive, no pull-up/down enabled; F = floating. For pin states in the different power modes, see [Section 14.5 “Pin states in different power modes”](#). For termination on unused pins, see [Section 14.4 “Termination of unused pins”](#).

[2] 5 V tolerant pin providing standard digital I/O functions with configurable modes, configurable hysteresis, and analog input. When configured as an analog input, the digital section of the pin is disabled, and the pin is not 5 V tolerant.

- [3] 5 V tolerant pad providing digital I/O functions with configurable pull-up/pull-down resistors and configurable hysteresis. This pin is active in Deep power-down mode and includes a 20 ns glitch filter (active in all power modes). In Deep power-down mode, pulling the WAKEUP pin LOW wakes up the chip. The wake-up pin function can be disabled and the pin can be used for other purposes, if the WKT low-power oscillator is enabled for waking up the part from Deep power-down mode. See [Table 17 “Dynamic characteristics: WKTCLKIN pin”](#) for the WKTCLKIN input.
- [4] 5 V tolerant pad providing digital I/O functions with configurable pull-up/pull-down resistors and configurable hysteresis; includes high-current output driver.
- [5] 5 V tolerant pad providing digital I/O functions with configurable pull-up/pull-down resistors and configurable hysteresis.
- [6] True open-drain pin. I²C-bus pins compliant with the I²C-bus specification for I²C standard mode, I²C Fast-mode, and I²C Fast-mode Plus. Do not use this pad for high-speed applications such as SPI or USART. The pin requires an external pull-up to provide output functionality. When power is switched off, this pin is floating and does not disturb the I2C lines. Open-drain configuration applies to all functions on this pin.
- [7] See [Figure 10](#) for the reset pad configuration. This pin includes a 20 ns glitch filter (active in all power modes). $\overline{\text{RESET}}$ functionality is not available in Deep power-down mode. Use the WAKEUP pin to reset the chip and wake up from Deep power-down mode. An external pull-up resistor is required on this pin for the Deep power-down mode.
- [8] 5 V tolerant pin providing standard digital I/O functions with configurable modes, configurable hysteresis, and analog I/O for the system oscillator. When configured for XTALIN and XTALOUT, the digital section of the pin is disabled, and the pin is not 5 V tolerant.
- [9] The WKTCLKIN function is enabled in the DPDCtrl register in the PMU. See the LPC82x user manual.
- [10] The digital part of this pin is 3 V tolerant pin due to special analog functionality. Pin provides standard digital I/O functions with configurable modes, configurable hysteresis, and an analog input. When configured as an analog input, the digital section of the pin is disabled.
- [11] Thermal pad for HVQFN33.

Table 4. Movable functions (assign to pins PIO0_0 to PIO0_28 through switch matrix)

| Function name | Type | Description |
|-----------------------------|------|---|
| U0_TXD | O | Transmitter output for USART0. |
| U0_RXD | I | Receiver input for USART0. |
| $\overline{\text{U0_RTS}}$ | O | Request To Send output for USART0. |
| $\overline{\text{U0_CTS}}$ | I | Clear To Send input for USART0. |
| U0_SCLK | I/O | Serial clock input/output for USART0 in synchronous mode. |
| U1_TXD | O | Transmitter output for USART1. |
| U1_RXD | I | Receiver input for USART1. |
| $\overline{\text{U1_RTS}}$ | O | Request To Send output for USART1. |
| $\overline{\text{U1_CTS}}$ | I | Clear To Send input for USART1. |
| U1_SCLK | I/O | Serial clock input/output for USART1 in synchronous mode. |
| U2_TXD | O | Transmitter output for USART2. |
| U2_RXD | I | Receiver input for USART2. |
| $\overline{\text{U2_RTS}}$ | O | Request To Send output for USART1. |
| $\overline{\text{U2_CTS}}$ | I | Clear To Send input for USART1. |
| U2_SCLK | I/O | Serial clock input/output for USART1 in synchronous mode. |
| SPI0_SCK | I/O | Serial clock for SPI0. |
| SPI0_MOSI | I/O | Master Out Slave In for SPI0. |
| SPI0_MISO | I/O | Master In Slave Out for SPI0. |
| SPI0_SSEL0 | I/O | Slave select 0 for SPI0. |
| SPI0_SSEL1 | I/O | Slave select 1 for SPI0. |
| SPI0_SSEL2 | I/O | Slave select 2 for SPI0. |
| SPI0_SSEL3 | I/O | Slave select 3 for SPI0. |
| SPI1_SCK | I/O | Serial clock for SPI1. |

Table 4. Movable functions (assign to pins PIO0_0 to PIO0_28 through switch matrix)

| Function name | Type | Description |
|---------------|------|---|
| SPI1_MOSI | I/O | Master Out Slave In for SPI1. |
| SPI1_MISO | I/O | Master In Slave Out for SPI1. |
| SPI1_SSEL0 | I/O | Slave select 0 for SPI1. |
| SPI1_SSEL1 | I/O | Slave select 1 for SPI1. |
| SCT_PIN0 | I | Pin input 0 to the SCT input multiplexer. |
| SCT_PIN1 | I | Pin input 1 to the SCT input multiplexer. |
| SCT_PIN2 | I | Pin input 2 to the SCT input multiplexer. |
| SCT_PIN3 | I | Pin input 3 to the SCT input multiplexer. |
| SCT_OUT0 | O | SCT output 0. |
| SCT_OUT1 | O | SCT output 1. |
| SCT_OUT2 | O | SCT output 2. |
| SCT_OUT3 | O | SCT output 3. |
| SCT_OUT4 | O | SCT output 4. |
| SCT_OUT5 | O | SCT output 5. |
| I2C1_SDA | I/O | I ² C1-bus data input/output. |
| I2C1_SCL | I/O | I ² C1-bus clock input/output. |
| I2C2_SDA | I/O | I ² C2-bus data input/output. |
| I2C2_SCL | I/O | I ² C2-bus clock input/output. |
| I2C3_SDA | I/O | I ² C3-bus data input/output. |
| I2C3_SCL | I/O | I ² C3-bus clock input/output. |
| ADC_PINTRIG0 | I | ADC external pin trigger input 0. |
| ADC_PINTRIG1 | I | ADC external pin trigger input 1. |
| ACMP_O | O | Analog comparator output. |
| CLKOUT | O | Clock output. |
| GPIO_INT_BMAT | O | Output of the pattern match engine. |

8. Functional description

8.1 ARM Cortex-M0+ core

The ARM Cortex-M0+ core runs at an operating frequency of up to 30 MHz using a two-stage pipeline. The core revision is r0p1.

Integrated in the core are the NVIC and Serial Wire Debug with four breakpoints and two watchpoints. The ARM Cortex-M0+ core supports a single-cycle I/O enabled port for fast GPIO access.

The core includes a single-cycle multiplier and a system tick timer.

8.2 On-chip flash program memory

The LPC82x contain up to 32 KB of on-chip flash program memory. The flash memory supports a 64 Byte page size with page write and erase.

8.3 On-chip SRAM

The LPC82x contain a total of 8 KB on-chip static RAM data memory in two separate SRAM blocks with one combined clock for both SRAM blocks.

8.4 On-chip ROM

The on-chip ROM contains the bootloader and the following Application Programming Interfaces (APIs):

- In-System Programming (ISP) and In-Application Programming (IAP) support for flash including IAP erase page command.
- Power profiles for configuring power consumption and PLL settings
- 32-bit integer division routines
- APIs to use the following peripherals:
 - SPI
 - USART
 - I2C
 - ADC

8.5 Memory map

The LPC82x incorporates several distinct memory regions. [Figure 6](#) shows the overall map of the entire address space from the user program viewpoint following reset. The interrupt vector area supports address remapping.

The ARM private peripheral bus includes the ARM core registers for controlling the NVIC, the system tick timer (SysTick), and the reduced power modes.

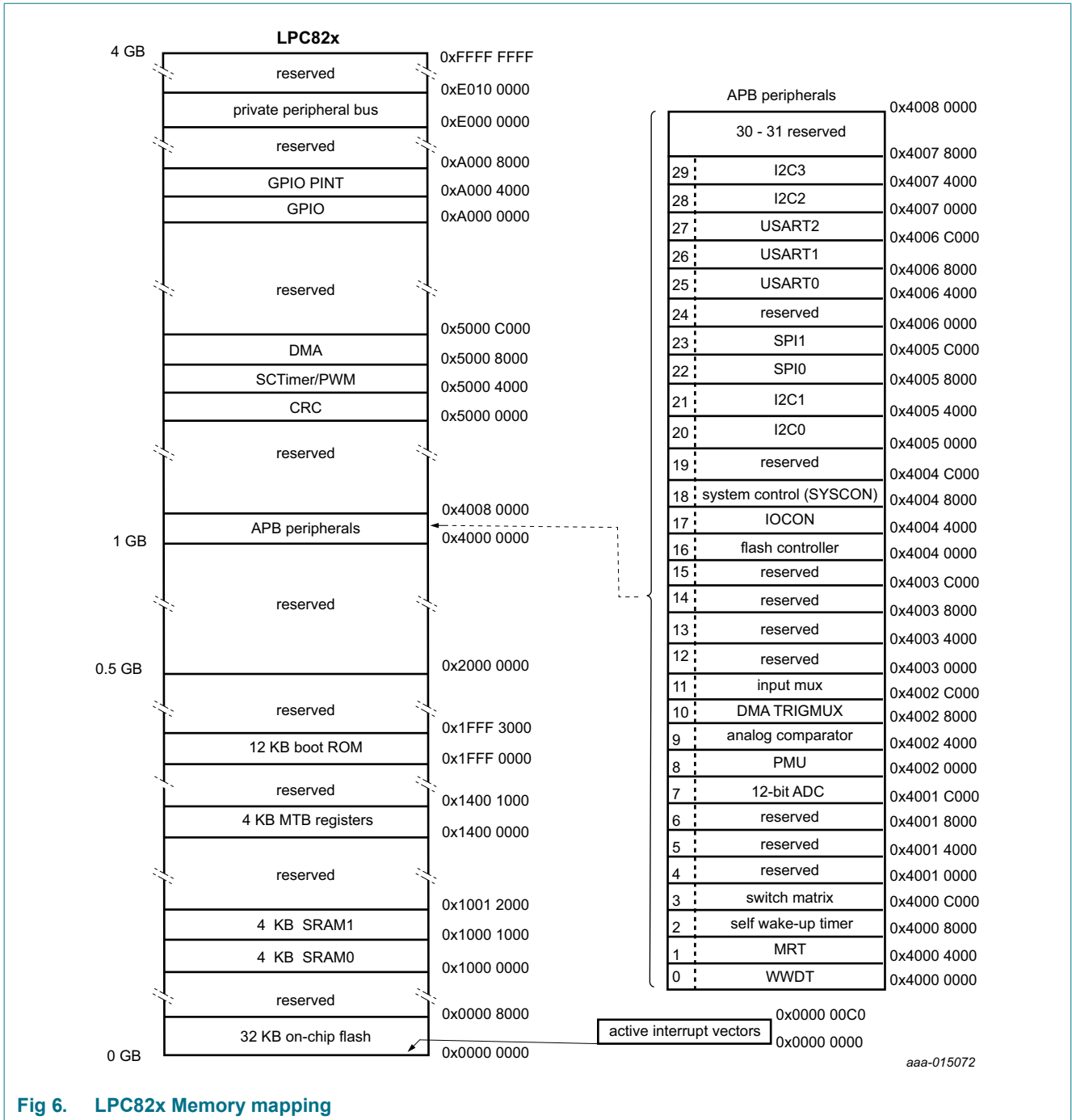


Fig 6. LPC82x Memory mapping

8.6 Nested Vectored Interrupt Controller (NVIC)

The Nested Vectored Interrupt Controller (NVIC) is part of the Cortex-M0+. The tight coupling to the CPU allows for low interrupt latency and efficient processing of late arriving interrupts.

8.6.1 Features

- Nested Vectored Interrupt Controller is a part of the ARM Cortex-M0+.

- Tightly coupled interrupt controller provides low interrupt latency.
- Controls system exceptions and peripheral interrupts.
- Supports 32 vectored interrupts.
- In the LPC82x, the NVIC supports vectored interrupts for each of the peripherals and the eight pin interrupts.
- Four programmable interrupt priority levels with hardware priority level masking.
- Software interrupt generation using the ARM exceptions SVCALL and PendSV.
- Supports NMI.

8.6.2 Interrupt sources

Each peripheral device has at least one interrupt line connected to the NVIC but can have several interrupt flags. Individual interrupt flags can also represent more than one interrupt source.

8.7 System tick timer

The ARM Cortex-M0+ includes a 24-bit system tick timer (SysTick) that is intended to generate a dedicated SysTick exception at a fixed time interval (typically 10 ms).

8.8 I/O configuration

The IOCON block controls the configuration of the I/O pins. Each digital or mixed digital/analog pin with the PIO0_n designator (except the true open-drain pins PIO0_10 and PIO0_11) in [Table 3](#) can be configured as follows:

- Enable or disable the weak internal pull-up and pull-down resistors.
- Select a pseudo open-drain mode. The input cannot be pulled up above V_{DD} . The pins are not 5 V tolerant when V_{DD} is grounded.
- Program the input glitch filter with different filter constants using one of the IOCON divided clock signals (IOCONCLKCDIV, see [Figure 9 “LPC82x clock generation”](#)). You can also bypass the glitch filter.
- Invert the input signal.
- Hysteresis can be enabled or disabled.
- For pins PIO0_10 and PIO0_11, select the I2C-mode and output driver for standard digital operation, for I2C standard and fast modes, or for I2C Fast mode+.
- The switch matrix setting enables the analog input mode on pins with analog and digital functions. Enabling the analog mode disconnects the digital functionality.

Remark: The functionality of each I/O pin is flexible and is determined entirely through the switch matrix. See [Section 8.9](#) for details.

8.8.1 Standard I/O pad configuration

[Figure 7](#) shows the possible pin modes for standard I/O pins with analog input function:

- Digital output driver with configurable open-drain output.
- Digital input: Weak pull-up resistor (PMOS device) enabled/disabled.
- Digital input: Weak pull-down resistor (NMOS device) enabled/disabled.

- Digital input: Repeater mode enabled/disabled.
- Digital input: Programmable input digital filter selectable on all pins.
- Analog input: Selected through the switch matrix.

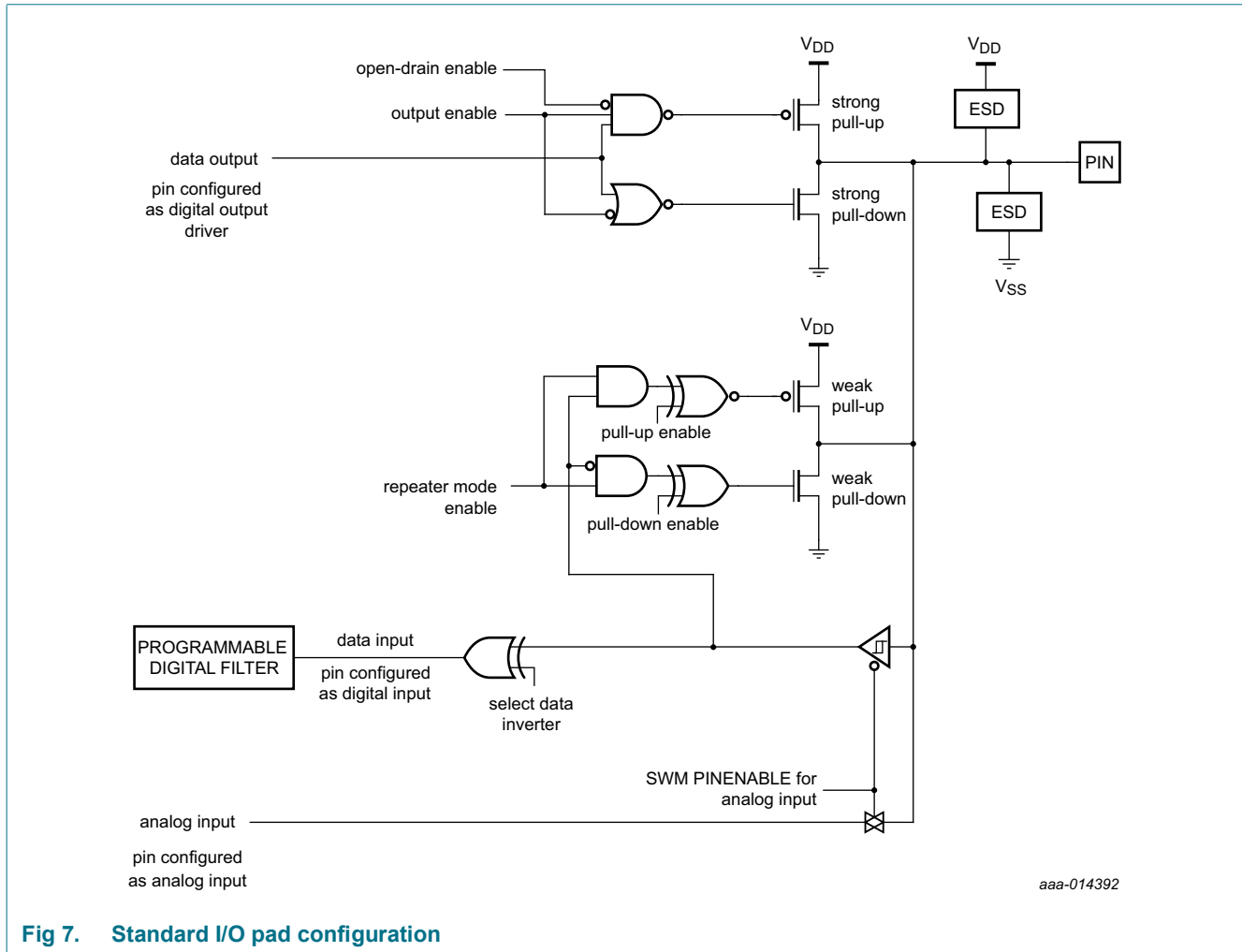


Fig 7. Standard I/O pad configuration

8.9 Switch Matrix (SWM)

The switch matrix controls the function of each digital or mixed analog/digital pin in a highly flexible way by allowing to connect many functions like the USART, SPI, SCT, and I2C functions to any pin that is not power or ground. These functions are called movable functions and are listed in [Table 4](#).

Functions that need specialized pads like the oscillator pins XTALIN and XTALOUT can be enabled or disabled through the switch matrix. These functions are called fixed-pin functions and cannot move to other pins. The fixed-pin functions are listed in [Table 3](#). If a fixed-pin function is disabled, any other movable function can be assigned to this pin.

8.10 Fast General-Purpose parallel I/O (GPIO)

Device pins that are not connected to a specific peripheral function are controlled by the GPIO registers. Pins may be dynamically configured as inputs or outputs. Multiple outputs can be set or cleared in one write operation.

LPC82x use accelerated GPIO functions:

- GPIO registers are on the ARM Cortex-M0+ IO bus for fastest possible single-cycle I/O timing, allowing GPIO toggling with rates of up to 15 MHz.
- An entire port value can be written in one instruction.
- Mask, set, and clear operations are supported for the entire port.

All GPIO port pins are fixed-pin functions that are enabled or disabled on the pins by the switch matrix. Therefore each GPIO port pin is assigned to one specific pin and cannot be moved to another pin. Except for pins SWDIO/PIO0_2, SWCLK/PIO0_3, and $\overline{\text{RESET}}$ /PIO0_5, the switch matrix enables the GPIO port pin function by default.

8.10.1 Features

- Bit level port registers allow a single instruction to set and clear any number of bits in one write operation.
- Direction control of individual bits.
- All I/O default to GPIO inputs with internal pull-up resistors enabled after reset - except for the I²C-bus true open-drain pins PIO0_10 and PIO0_11.
- Pull-up/pull-down configuration, repeater, and open-drain modes can be programmed through the IOCON block for each GPIO pin (see [Figure 7](#)).
- Direction (input/output) can be set and cleared individually.
- Pin direction bits can be toggled.

8.11 Pin interrupt/pattern match engine

The pin interrupt block configures up to eight pins from all digital pins for providing eight external interrupts connected to the NVIC.

The pattern match engine can be used, with software, to create complex state machines based on pin inputs.

Any digital pin, independently of the function selected through the switch matrix, can be configured through the SYSCON block as input to the pin interrupt or pattern match engine. The registers that control the pin interrupt or pattern match engine are on the IO+ bus for fast single-cycle access.

8.11.1 Features

- Pin interrupts
 - Up to eight pins can be selected from all digital pins as edge- or level-sensitive interrupt requests. Each request creates a separate interrupt in the NVIC.
 - Edge-sensitive interrupt pins can interrupt on rising or falling edges or both.
 - Level-sensitive interrupt pins can be HIGH- or LOW-active.

- Pin interrupts can wake up the LPC82x from sleep mode, deep-sleep mode, and power-down mode.
- Pin interrupt pattern match engine
 - Up to eight pins can be selected from all digital pins to contribute to a boolean expression. The boolean expression consists of specified levels and/or transitions on various combinations of these pins.
 - Each minterm (product term) comprising the specified boolean expression can generate its own, dedicated interrupt request.
 - Any occurrence of a pattern match can be also programmed to generate an RXEV notification to the ARM CPU. The RXEV signal can be connected to a pin.
 - The pattern match engine does not facilitate wake-up.

8.12 DMA controller

The DMA controller can access all memories and the USART, SPI, I2C, and ADC peripherals using DMA requests or triggers. DMA transfers can also be triggered by internal events like the ADC interrupts, the pin interrupts (PININT0 and PININT1), the SCTimer DMA requests, and the DMA trigger outputs.

8.12.1 Features

- 18 channels with each channel connected to peripheral request inputs.
- DMA operations can be triggered by on-chip events or by two pin interrupts. Each DMA channel can select one trigger input from 9 sources.
- Priority is user selectable for each channel.
- Continuous priority arbitration.
- Address cache with two entries.
- Efficient use of data bus.
- Supports single transfers up to 1,024 words.
- Address increment options allow packing and/or unpacking data.

8.12.2 DMA trigger input MUX (TRIGMUX)

Each DMA trigger is connected to a programmable multiplexer which connects the trigger input to one of multiple trigger sources. Each multiplexer supports the same trigger sources: the ADC sequence interrupts, the SCT DMA request lines, and pin interrupts PININT0 and PININT1, and the outputs of the DMA triggers 0 and 1 for chaining DMA triggers.

8.13 USART0/1/2

All USART functions are movable functions and are assigned to pins through the switch matrix.

8.13.1 Features

- Maximum bit rates of 1.875 Mbit/s in asynchronous mode and 10 Mbit/s in synchronous mode for USART functions connected to all digital pins except the open-drain pins.

- 7, 8, or 9 data bits and 1 or 2 stop bits
- Synchronous mode with master or slave operation. Includes data phase selection and continuous clock option.
- Multiprocessor/multidrop (9-bit) mode with software address compare. (RS-485 possible with software address detection and transceiver direction control.)
- Parity generation and checking: odd, even, or none.
- One transmit and one receive data buffer.
- RTS/CTS for hardware signaling for automatic flow control. Software flow control can be performed using Delta CTS detect, Transmit Disable control, and any GPIO as an RTS output.
- Received data and status can optionally be read from a single register
- Break generation and detection.
- Receive data is 2 of 3 sample "voting". Status flag set when one sample differs.
- Built-in Baud Rate Generator.
- A fractional rate divider is shared among all UARTs.
- Interrupts available for Receiver Ready, Transmitter Ready, Receiver Idle, change in receiver break detect, Framing error, Parity error, Overrun, Underrun, Delta CTS detect, and receiver sample noise detected.
- Separate data and flow control loopback modes for testing.
- Baud rate clock can also be output in asynchronous mode.
- Supported by on-chip ROM API.

8.14 SPI0/1

All SPI functions are movable functions and are assigned to pins through the switch matrix.

8.14.1 Features

- Maximum data rates of up to 30 Mbit/s in master mode and up to 18 Mbit/s in slave mode for SPI functions connected to all digital pins except the open-drain pins.
- Data frames of 1 to 16 bits supported directly. Larger frames supported by software.
- Master and slave operation.
- Data can be transmitted to a slave without the need to read incoming data, which can be useful while setting up an SPI memory.
- Control information can optionally be written along with data, which allows very versatile operation, including "any length" frames.
- One Slave Select input/output with selectable polarity and flexible usage.

Remark: Texas Instruments SSI and National Microwire modes are not supported.

8.15 I²C-bus interface (I2C0/1/2/3)

The I²C-bus is bidirectional for inter-IC control using only two wires: a serial clock line (SCL) and a serial data line (SDA). Each device is recognized by a unique address and can operate as either a receiver-only device (e.g., an LCD driver) or a transmitter with the

capability to both receive and send information (such as memory). Transmitters and/or receivers can operate in either master or slave mode, depending on whether the chip has to initiate a data transfer or is only addressed. The I²C is a multi-master bus and can be controlled by more than one bus master.

The I2C0-bus functions are fixed-pin functions. All other I2C-bus functions for I2C1/2/3 are movable functions and can be assigned through the switch matrix to any pin. However, only the true open-drain pins provide the electrical characteristics to support the full I2C-bus specification (see [Ref. 3](#)).

8.15.1 Features

- I2C0 supports Fast-mode Plus with data rates of up to 1 Mbit/s in addition to standard and fast modes on two true open-drain pins.
- True open-drain pins provide fail-safe operation: When the power to an I²C-bus device is switched off, the SDA and SCL pins connected to the I²C0-bus are floating and do not disturb the bus.
- I2C1/2/3 support standard and fast mode with data rates of up to 400 kbit/s.
- Independent Master, Slave, and Monitor functions.
- Supports both Multi-master and Multi-master with Slave functions.
- Multiple I²C slave addresses supported in hardware.
- One slave address can be selectively qualified with a bit mask or an address range in order to respond to multiple I²C bus addresses.
- 10-bit addressing supported with software assist.
- Supports SMBus.

8.16 SCTimer/PWM

The state configurable timer can perform basic 16-bit and 32-bit timer/counter functions with match outputs and external and internal capture inputs. In addition, the SCTimer/PWM can employ up to eight different programmable states, which can change under the control of events, to provide complex timing patterns.

The inputs to the SCT are multiplexed between movable functions from the switch matrix and internal connections such as the ADC threshold compare interrupt, the comparator output, and the ARM core signals ARM_TXEV and DEBUG_HALTED. The signal on each SCT input is selected through the INPUT MUX.

All outputs of the SCT are movable functions and are assigned to pins through the switch matrix. One SCT output can also be selected as one of the ADC conversion triggers.

8.16.1 Features

- Each SCTimer/PWM supports:
 - Eight match/capture registers.
 - Eight events.
 - Eight states.

- Four inputs. Each input is configurable through an input multiplexer to use one of four external pins (connected through the switch matrix) or one of four internal sources. The maximum input signal frequency is 25 MHz.
- Six outputs. Connected to pins through the switch matrix.
- Counter/timer features:
 - Each SCTimer is configurable as two 16-bit counters or one 32-bit counter.
 - Counters can be clocked by the system clock or selected input.
 - Configurable as up counters or up-down counters.
 - Configurable number of match and capture registers. Up to eight match and capture registers total.
 - Upon match create the following events: interrupt; stop, limit, halt the timer or change counting direction; toggle outputs.
 - Counter value can be loaded into capture register triggered by a match or input/output toggle.
- PWM features:
 - Counters can be used with match registers to toggle outputs and create time-proportioned PWM signals.
 - Up to six single-edge or dual-edge PWM outputs with independent duty cycle and common PWM cycle length.
- Event creation features:
 - The following conditions define an event: a counter match condition, an input (or output) condition such as a rising or falling edge or level, a combination of match and/or input/output condition.
 - Selected events can limit, halt, start, or stop a counter or change its direction.
 - Events trigger state changes, output toggles, interrupts, and DMA transactions.
 - Match register 0 can be used as an automatic limit.
 - In bidirectional mode, events can be enabled based on the count direction.
 - Match events can be held until another qualifying event occurs.
- State control features:
 - A state is defined by events that can happen in the state while the counter is running.
 - A state changes into another state as a result of an event.
 - Each event can be assigned to one or more states.
 - State variable allows sequencing across multiple counter cycles.
- One SCTimer match output can be selected as ADC hardware trigger input.

8.16.2 SCTimer/PWM input MUX (INPUT MUX)

Each input of the SCTimer/PWM is connected to a programmable multiplexer which allows to connect one of multiple internal or external sources to the input. The available sources are the same for each SCTimer/PWM input and can be selected from four pins configured through the switch matrix, the ADC threshold compare interrupt, the comparator output, and the ARM core signals ARM_TXEV and DEBUG_HALTED.

8.17 Multi-Rate Timer (MRT)

The Multi-Rate Timer (MRT) provides a repetitive interrupt timer with four channels. Each channel can be programmed with an independent time interval, and each channel operates independently from the other channels.

8.17.1 Features

- 31-bit interrupt timer
- Four channels independently counting down from individually set values
- Bus stall, repeat and one-shot interrupt modes

8.18 Windowed WatchDog Timer (WWDT)

The watchdog timer resets the controller if software fails to service the watchdog timer periodically within a programmable time window.

8.18.1 Features

- Internally resets chip if not periodically reloaded during the programmable time-out period.
- Optional windowed operation requires reload to occur between a minimum and maximum time period, both programmable.
- Optional warning interrupt can be generated at a programmable time prior to watchdog time-out.
- Enabled by software but requires a hardware reset or a watchdog reset/interrupt to be disabled.
- Incorrect feed sequence causes reset or interrupt if enabled.
- Flag to indicate watchdog reset.
- Programmable 24-bit timer with internal prescaler.
- Selectable time period from $(T_{cy(WDCLK)} \times 256 \times 4)$ to $(T_{cy(WDCLK)} \times 2^{24} \times 4)$ in multiples of $T_{cy(WDCLK)} \times 4$.
- The WatchDog Clock (WDCLK) is generated by the dedicated watchdog oscillator (WDOSC).

8.19 Self-Wake-up Timer (WKT)

The self-wake-up timer is a 32-bit, loadable down counter. Writing any non-zero value to this timer automatically enables the counter and launches a count-down sequence. When the counter is used as a wake-up timer, this write can occur prior to entering a reduced power mode.

8.19.1 Features

- 32-bit loadable down counter. Counter starts automatically when a count value is loaded. Time-out generates an interrupt/wake up request.
- The WKT resides in a separate, always-on power domain.
- The WKT supports three clock sources: an external clock on the WKTCLKIN pin, the low-power oscillator, and the IRC. The low-power oscillator is located in the always-on power domain, so it can be used as the clock source in Deep power-down mode.

- The WKT can be used for waking up the part from any reduced power mode, including Deep power-down mode, or for general-purpose timing.

8.20 Analog comparator (ACMP)

The analog comparator with selectable hysteresis can compare voltage levels on external pins and internal voltages.

After power-up and after switching the input channels of the comparator, the output of the voltage ladder must be allowed to settle to its stable value before it can be used as a comparator reference input. Settling times are given in [Table 25](#).

The analog comparator output is a movable function and is assigned to a pin through the switch matrix. The comparator inputs and the voltage reference are enabled through the switch matrix.

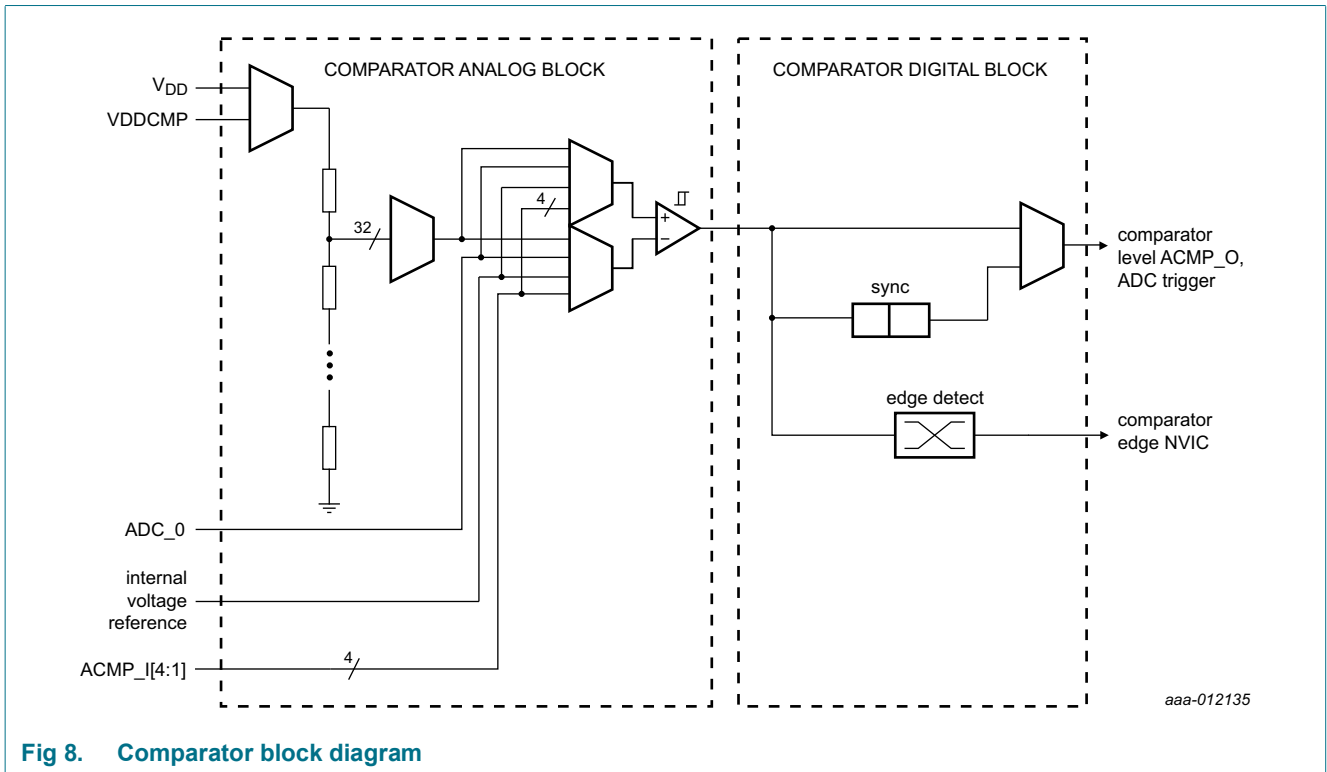


Fig 8. Comparator block diagram

8.20.1 Features

- Selectable 0 mV, 10 mV (± 5 mV), and 20 mV (± 10 mV), 40 mV (± 20 mV) input hysteresis.
- Two selectable external voltages (V_{DD} or V_{DDCMP} on pin PIO0_6); fully configurable on either positive or negative input channel.
- Internal voltage reference from band gap selectable on either positive or negative input channel.
- 32-stage voltage ladder with the internal reference voltage selectable on either the positive or the negative input channel.

- Voltage ladder source voltage is selectable from an external pin or the main 3.3 V supply voltage rail.
- Voltage ladder can be separately powered down for applications only requiring the comparator function.
- Interrupt output is connected to NVIC.
- Comparator level output is connected to output pin ACMP_O.
- One comparator output is internally collected to the ADC trigger input multiplexer.

8.21 Analog-to-Digital Converter (ADC)

The ADC supports a resolution of 12 bit and fast conversion rates of up to 1.2 MSamples/s. Sequences of analog-to-digital conversions can be triggered by multiple sources. Possible trigger sources are the pin triggers, the SCT output SCT_OUT3, the analog comparator output, and the ARM TXEV.

The ADC includes a hardware threshold compare function with zero-crossing detection.

Remark: For best performance, select VREFP and VREFN at the same voltage levels as V_{DD} and V_{SS} . When selecting VREFP and VREFN different from V_{DD} and V_{SS} , ensure that the voltage midpoints are the same:

$$(VREFP-VREFN)/2 + VREFN = V_{DD}/2$$

8.21.1 Features

- 12-bit successive approximation analog to digital converter.
- 12-bit conversion rate of up to 1.2 MSamples/s.
- Two configurable conversion sequences with independent triggers.
- Optional automatic high/low threshold comparison and zero-crossing detection.
- Power-down mode and low-power operating mode.
- Measurement range VREFN to VREFP (not to exceed V_{DD} voltage level).
- Burst conversion mode for single or multiple inputs.
- Hardware calibration mode.

8.22 Clocking and power control

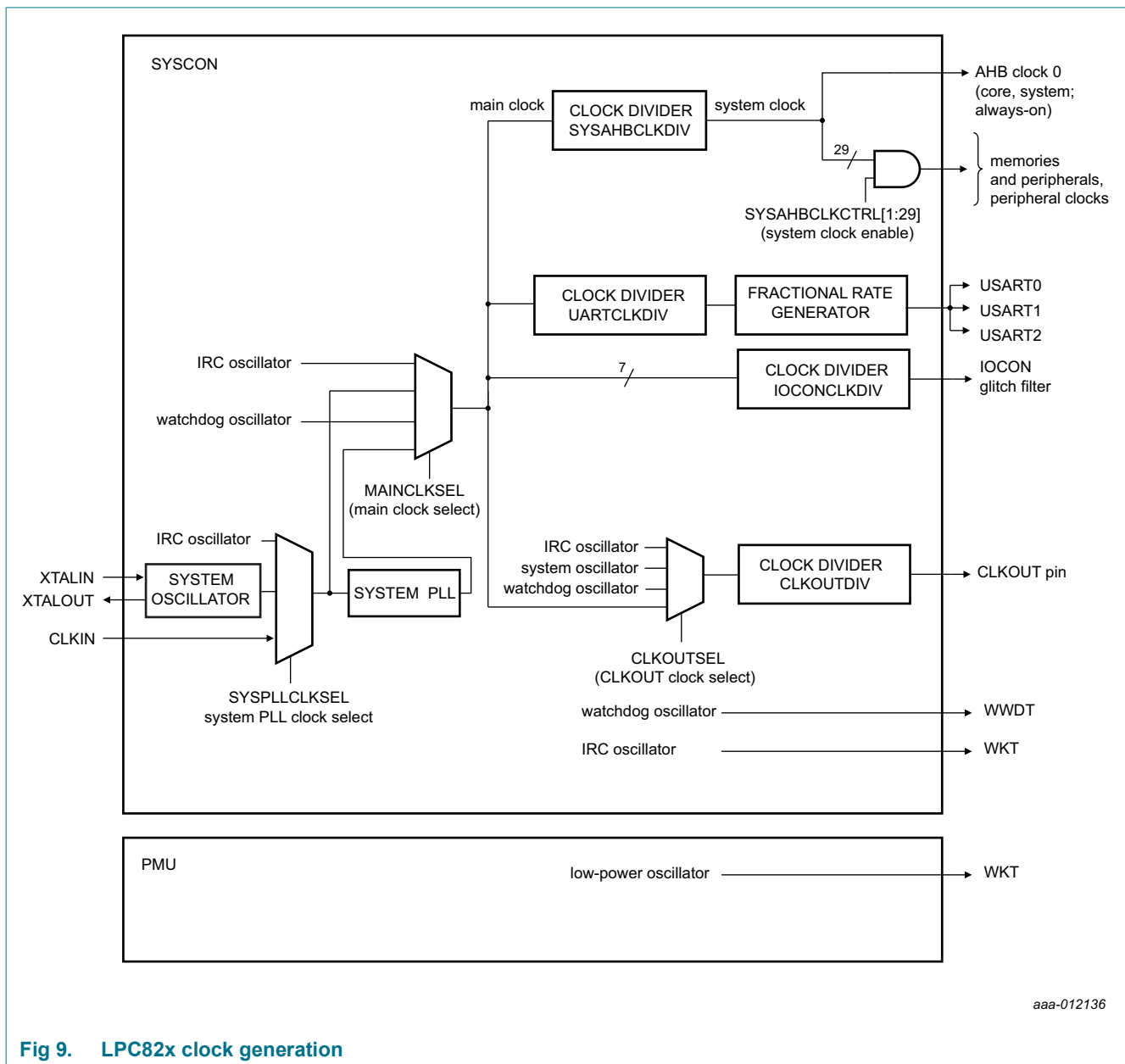


Fig 9. LPC82x clock generation

8.22.1 Crystal and internal oscillators

The LPC82x include four independent oscillators:

1. The crystal oscillator (SysOsc) operating at frequencies between 1 MHz and 25 MHz.
2. The internal RC Oscillator (IRC) with a fixed frequency of 12 MHz.
3. The internal low-power, low-frequency Oscillator with a nominal frequency of 10 kHz with 40% accuracy for use with the self-wake-up timer.
4. The dedicated Watchdog Oscillator (WDOsc) with a programmable nominal frequency between 9.4 kHz and 2.3 MHz with 40% accuracy.

Each oscillator, except the low-frequency oscillator, can be used for more than one purpose as required in a particular application.

Following reset, the LPC82x operates from the IRC until switched by software allowing the part to run without any external crystal and the bootloader code to operate at a known frequency.

See [Figure 9](#) for an overview of the LPC82x clock generation.

8.22.1.1 Internal RC Oscillator (IRC)

The IRC may be used as the clock source for the WWDT, and/or as the clock that drives the PLL and then the CPU. The nominal IRC frequency is 12 MHz. The IRC is trimmed to 1.5 % accuracy over the entire voltage and temperature range.

The IRC can be used as a clock source for the CPU with or without using the PLL. The IRC frequency can be boosted to a higher frequency, up to the maximum CPU operating frequency, by the system PLL.

Upon power-up or any chip reset, the LPC82x use the IRC as the clock source. Software may later switch to one of the other available clock sources.

8.22.1.2 Crystal Oscillator (SysOsc)

The crystal oscillator can be used as the clock source for the CPU, with or without using the PLL.

The SysOsc operates at frequencies of 1 MHz to 25 MHz. This frequency can be boosted to a higher frequency, up to the maximum CPU operating frequency, by the system PLL.

8.22.1.3 Internal Low-power Oscillator and Watchdog Oscillator (WDOsc)

The nominal frequency of the WDOsc is programmable between 9.4 kHz and 2.3 MHz. The frequency spread over silicon process variations is $\pm 40\%$.

The WDOsc is a dedicated oscillator for the windowed WWDT.

The internal low-power 10 kHz ($\pm 40\%$ accuracy) oscillator serves as the clock input to the WKT. This oscillator can be configured to run in all low-power modes.

8.22.2 Clock input

An external clock source can be supplied on the selected CLKIN pin directly to the PLL input. When selecting a clock signal for the CLKIN pin, follow the specifications for digital I/O pins in [Table 8 “Static characteristics, supply pins”](#) and [Table 16 “Dynamic characteristics: I/O pins\[1\]”](#).

An 1.8 V external clock source can be supplied on the XTALIN pins to the system oscillator limiting the voltage of this signal (see [Section 14.1](#)).

The maximum frequency for both clock signals is 25 MHz.

8.22.3 System PLL

The PLL accepts an input clock frequency in the range of 10 MHz to 25 MHz. The input frequency is multiplied up to a high frequency with a Current Controlled Oscillator (CCO). The multiplier can be an integer value from 1 to 32. The CCO operates in the range of 156 MHz to 320 MHz, so there is an additional divider in the loop to keep the CCO within

its frequency while the PLL is providing the desired output frequency. The output divider may be set to divide by 2, 4, 8, or 16 to produce the output clock. Since the minimum output divider value is 2, it is insured that the PLL output has a 50 % duty cycle. The PLL is turned off and bypassed following a chip reset and may be enabled by software. The program must configure and activate the PLL, wait for the PLL to lock, and then connect to the PLL as a clock source. The PLL settling time is nominally 100 μ s.

8.22.4 Clock output

The LPC82x features a clock output function that routes the IRC, the SysOsc, the watchdog oscillator, or the main clock to the CLKOUT function. The CLKOUT function can be connected to any digital pin through the switch matrix.

8.22.5 Wake-up process

The LPC82x begin operation at power-up by using the IRC as the clock source allowing chip operation to resume quickly. If the SysOsc, the external clock source, or the PLL are needed by the application, software must enable these features and wait for them to stabilize before they are used as a clock source.

8.22.6 Power control

The LPC82x supports the ARM Cortex-M0 Sleep mode. The CPU clock rate may also be controlled as needed by changing clock sources, reconfiguring PLL values, and/or altering the CPU clock divider value. This allows a trade-off of power versus processing speed based on application requirements. In addition, a register is provided for shutting down the clocks to individual on-chip peripherals, allowing to fine-tune power consumption by eliminating all dynamic power use in any peripherals that are not required for the application. Selected peripherals have their own clock divider which provides even better power control.

8.22.6.1 Power profiles

The power consumption in Active and Sleep modes can be optimized for the application through simple calls to the power profile API. The API is accessible through the on-chip ROM.

The power configuration routine configures the LPC82x for one of the following power modes:

- Default mode corresponding to power configuration after reset.
- CPU performance mode corresponding to optimized processing capability.
- Efficiency mode corresponding to optimized balance of current consumption and CPU performance.
- Low-current mode corresponding to lowest power consumption.

In addition, the power profile includes routines to select the optimal PLL settings for a given system clock and PLL input clock.

8.22.6.2 Sleep mode

When Sleep mode is entered, the clock to the core is stopped. Resumption from the Sleep mode does not need any special sequence but re-enabling the clock to the ARM core.

In Sleep mode, execution of instructions is suspended until either a reset or interrupt occurs. Peripheral functions continue operation during Sleep mode and may generate interrupts to cause the processor to resume execution. Sleep mode eliminates dynamic power used by the processor itself, memory systems and related controllers, and internal buses.

8.22.6.3 Deep-sleep mode

In Deep-sleep mode, the LPC82x core is in Sleep mode and all peripheral clocks and all clock sources are off except for the IRC and watchdog oscillator or low-power oscillator if selected. The IRC output is disabled. In addition, all analog blocks are shut down and the flash is in standby mode. In Deep-sleep mode, the application can keep the watchdog oscillator and the BOD circuit running for self-timed wake-up and BOD protection.

The LPC82x can wake up from Deep-sleep mode via a reset, digital pins selected as inputs to the pin interrupt block, a watchdog timer interrupt, or an interrupt from the USART (if the USART is configured in synchronous slave mode), the SPI, or the I2C blocks (in slave mode).

Any interrupt used for waking up from Deep-sleep mode must be enabled in one of the SYSCON wake-up enable registers and the NVIC.

Deep-sleep mode saves power and allows for short wake-up times.

8.22.6.4 Power-down mode

In Power-down mode, the LPC82x is in Sleep mode and all peripheral clocks and all clock sources are off except for watchdog oscillator or low-power oscillator if selected. In addition, all analog blocks and the flash are shut down. In Power-down mode, the application can keep the watchdog oscillator and the BOD circuit running for self-timed wake-up and BOD protection.

The LPC82x can wake up from Power-down mode via a reset, digital pins selected as inputs to the pin interrupt block, a watchdog timer interrupt, or an interrupt from the USART (if the USART is configured in synchronous slave mode), the SPI, or the I2C blocks (in slave mode).

Any interrupt used for waking up from Power-down mode must be enabled in one of the SYSCON wake-up enable registers and the NVIC.

Power-down mode reduces power consumption compared to Deep-sleep mode at the expense of longer wake-up times.

8.22.6.5 Deep power-down mode

In Deep power-down mode, power is shut off to the entire chip except for the WAKEUP pin and the self-wake-up timer if enabled. Four general-purpose registers are available to store information during Deep power-down mode. The LPC82x can wake up from Deep power-down mode via the WAKEUP pin, or without an external signal by using the time-out of the self-wake-up timer (see [Section 8.19](#)).

The LPC82x can be prevented from entering Deep power-down mode by setting a lock bit in the PMU block. Locking out Deep power-down mode enables the application to keep the watchdog timer or the BOD running at all times.

When entering Deep power-down mode, an external pull-up resistor is required on the WAKEUP pin to hold it HIGH. Pull the $\overline{\text{RESET}}$ pin HIGH to prevent it from floating while in Deep power-down mode.

8.23 System control

8.23.1 Reset

Reset has four sources on the LPC82x: the $\overline{\text{RESET}}$ pin, the Watchdog reset, power-on reset (POR), and the BrownOut Detection (BOD) circuit. The $\overline{\text{RESET}}$ pin is a Schmitt trigger input pin. Assertion of chip reset by any source, once the operating voltage attains a usable level, starts the IRC and initializes the flash controller.

A LOW-going pulse as short as 50 ns resets the part.

When the internal Reset is removed, the processor begins executing at address 0, which is initially the Reset vector mapped from the boot block. At that point, all of the processor and peripheral registers have been initialized to predetermined values.

In Deep power-down mode, an external pull-up resistor is required on the $\overline{\text{RESET}}$ pin.

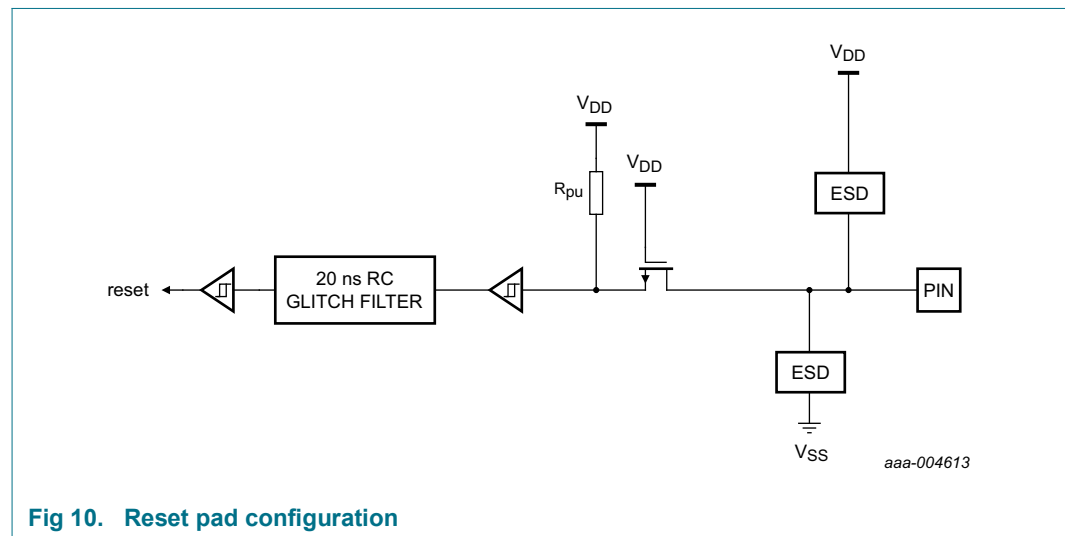


Fig 10. Reset pad configuration

8.23.2 Brownout detection

The LPC82x includes up to four levels for monitoring the voltage on the V_{DD} pin. If this voltage falls below one of the selected levels, the BOD asserts an interrupt signal to the NVIC. This signal can be enabled for interrupt in the Interrupt Enable Register in the NVIC to cause a CPU interrupt. Alternatively, software can monitor the signal by reading a dedicated status register. Four threshold levels can be selected to cause a forced reset of the chip.

8.23.3 Code security (Code Read Protection - CRP)

CRP provides different levels of security in the system so that access to the on-chip flash and use of the Serial Wire Debugger (SWD) and In-System Programming (ISP) can be restricted. Programming a specific pattern into a dedicated flash location invokes CRP. IAP commands are not affected by the CRP.

In addition, ISP entry via the ISP entry pin can be disabled without enabling CRP. For details, see the *LPC82x user manual*.

There are three levels of Code Read Protection:

1. CRP1 disables access to the chip via the SWD and allows partial flash update (excluding flash sector 0) using a limited set of the ISP commands. This mode is useful when CRP is required and flash field updates are needed but all sectors cannot be erased.
2. CRP2 disables access to the chip via the SWD and only allows full flash erase and update using a reduced set of the ISP commands.
3. Running an application with level CRP3 selected, fully disables any access to the chip via the SWD pins and the ISP. This mode effectively disables ISP override using the ISP entry pin as well. If necessary, the application must provide a flash update mechanism using IAP calls or using a call to the reinvoke ISP command to enable flash update via the USART.

CAUTION



If level three Code Read Protection (CRP3) is selected, no future factory testing can be performed on the device.

In addition to the three CRP levels, sampling of the ISP entry pin for valid user code can be disabled. For details, see the *LPC82x user manual*.

8.23.4 APB interface

The APB peripherals are located on one APB bus.

8.23.5 AHBLite

The AHBLite connects the CPU bus of the ARM Cortex-M0+ to the flash memory, the main static RAM, the CRC, the DMA, the ROM, and the APB peripherals.

8.24 Emulation and debugging

Debug functions are integrated into the ARM Cortex-M0+. Serial wire debug functions are supported in addition to a standard JTAG boundary scan. The ARM Cortex-M0+ is configured to support up to four breakpoints and two watch points.

The Micro Trace Buffer is implemented on the LPC82x.

The $\overline{\text{RESET}}$ pin selects between the JTAG boundary scan ($\overline{\text{RESET}} = \text{LOW}$) and the ARM SWD debug ($\overline{\text{RESET}} = \text{HIGH}$). The ARM SWD debug port is disabled while the LPC82x is in reset. The JTAG boundary scan pins are selected by hardware when the part is in boundary scan mode on pins PIO0_0 to PIO0_3 (see [Table 3](#)).

To perform boundary scan testing, follow these steps:

1. Erase any user code residing in flash.
2. Power up the part with the $\overline{\text{RESET}}$ pin pulled HIGH externally.
3. Wait for at least 250 μs .
4. Pull the $\overline{\text{RESET}}$ pin LOW externally.
5. Perform boundary scan operations.
6. Once the boundary scan operations are completed, assert the $\overline{\text{TRST}}$ pin to enable the SWD debug mode, and release the $\overline{\text{RESET}}$ pin (pull HIGH).

Remark: The JTAG interface cannot be used for debug purposes.

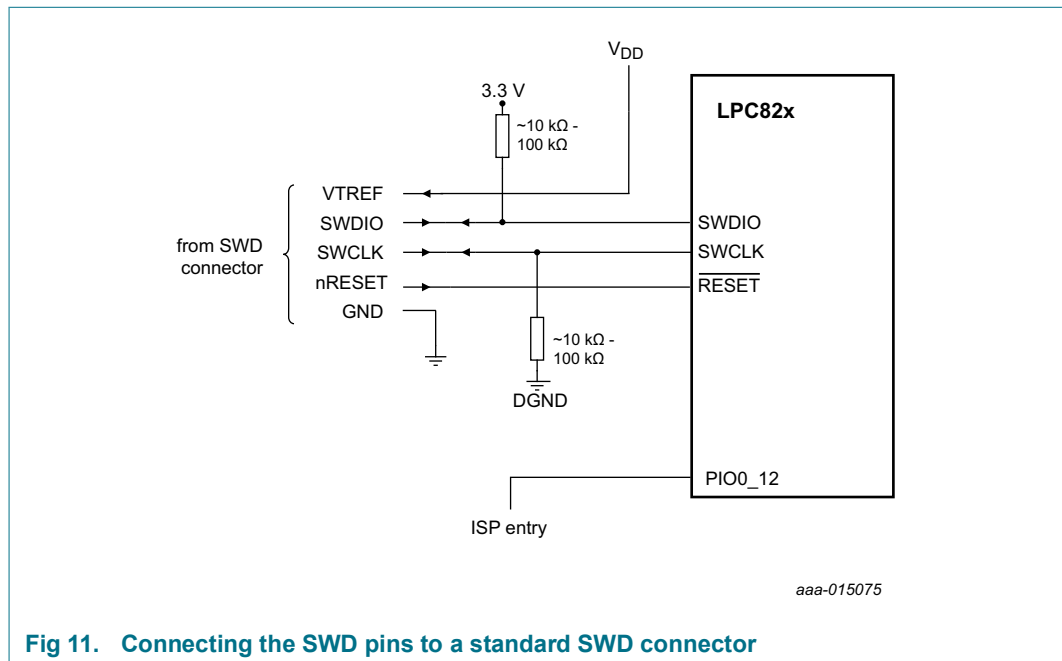


Fig 11. Connecting the SWD pins to a standard SWD connector

9. Limiting values

Table 5. Limiting values

In accordance with the Absolute Maximum Rating System (IEC 60134).^[1]

| Symbol | Parameter | Conditions | | Min | Max | Unit |
|------------------------|---|---|---------------|------|-----------------|------|
| V _{DD} | supply voltage (core and external rail) | | [2] | -0.5 | +4.6 | V |
| V _{ref} | reference voltage | on pin VREFP | | -0.5 | V _{DD} | V |
| V _I | input voltage | 5 V tolerant I/O pins; V _{DD} ≥ 1.8 V | [3][4] | -0.5 | +5.5 | V |
| | | on I2C open-drain pins PIO0_10, PIO0_11 | [5] | -0.5 | +5.5 | V |
| | | 3 V tolerant I/O pin PIO0_6 | [6] | -0.5 | +3.6 | V |
| V _{IA} | analog input voltage | | [7][8] [9] | -0.5 | +4.6 | V |
| V _{i(xtal)} | crystal input voltage | | [2] | -0.5 | +2.5 | V |
| I _{DD} | supply current | per supply pin | | - | 100 | mA |
| I _{SS} | ground current | per ground pin | | - | 100 | mA |
| I _{latch} | I/O latch-up current | -(0.5V _{DD}) < V _I < (1.5V _{DD}); T _j < 125 °C | | - | 100 | mA |
| T _{stg} | storage temperature | | [10] | -65 | +150 | °C |
| T _{j(max)} | maximum junction temperature | | | - | 150 | °C |
| P _{tot(pack)} | total power dissipation (per package) | based on package heat transfer, not device power consumption | | - | 1.5 | W |
| V _{esd} | electrostatic discharge voltage | human body model; all pins | [11] | - | 3500 | V |
| | | charged device model; HVQFN33 package | | - | 1200 | V |

[1] The following applies to the limiting values:

- a) This product includes circuitry specifically designed for the protection of its internal devices from the damaging effects of excessive static charge. Nonetheless, it is suggested that conventional precautions be taken to avoid applying greater than the rated maximum.
 - b) Parameters are valid over operating temperature range unless otherwise specified. All voltages are with respect to V_{SS} unless otherwise noted.
- [2] Maximum/minimum voltage above the maximum operating voltage (see Table 7) and below ground that can be applied for a short time (< 10 ms) to a device without leading to irrecoverable failure. Failure includes the loss of reliability and shorter lifetime of the device.
- [3] Applies to all 5 V tolerant I/O pins except true open-drain pins PIO0_10 and PIO0_11 and except the 3 V tolerant pin PIO0_6.
- [4] Including the voltage on outputs in 3-state mode.
- [5] V_{DD} present or not present. Compliant with the I²C-bus standard. 5.5 V can be applied to this pin when V_{DD} is powered down.
- [6] V_{DD} present or not present.
- [7] An ADC input voltage above 3.6 V can be applied for a short time without leading to immediate, unrecoverable failure. Accumulated exposure to elevated voltages at 4.6 V must be less than 10⁶ s total over the lifetime of the device. Applying an elevated voltage to the ADC inputs for a long time affects the reliability of the device and reduces its lifetime.
- [8] If the comparator is configured with the common mode input V_{IC} = V_{DD}, the other comparator input can be up to 0.2 V above or below V_{DD} without affecting the hysteresis range of the comparator function.
- [9] It is recommended to connect an overvoltage protection diode between the analog input pin and the voltage supply pin.
- [10] Dependent on package type.

[11] Human body model: equivalent to discharging a 100 pF capacitor through a 1.5 kΩ series resistor.

10. Thermal characteristics

The average chip junction temperature, T_j (°C), can be calculated using the following equation:

$$T_j = T_{amb} + (P_D \times R_{th(j-a)}) \quad (1)$$

- T_{amb} = ambient temperature (°C),
- $R_{th(j-a)}$ = the package junction-to-ambient thermal resistance (°C/W)
- P_D = sum of internal and I/O power dissipation

The internal power dissipation is the product of I_{DD} and V_{DD} . The I/O power dissipation of the I/O pins is often small and many times can be negligible. However it can be significant in some applications.

Table 6. Thermal resistance

| Symbol | Parameter | Conditions | Max/min | Unit |
|------------------------|---|---|--------------|------|
| HVQFN33 package | | | | |
| $R_{th(j-a)}$ | thermal resistance from junction-to-ambient | JEDEC (4.5 in × 4 in); still air | 40 +/- 15 % | °C/W |
| | | single-layer (4.5 in × 3 in); still air | 114 +/- 15 % | °C/W |
| $R_{th(j-c)}$ | thermal resistance from junction-to-case | | 18 +/- 15 % | °C/W |

11. Static characteristics

11.1 General operating conditions

Table 7. General operating conditions

$T_{amb} = -40\text{ °C}$ to $+105\text{ °C}$, unless otherwise specified.

| Symbol | Parameter | Conditions | Min | Typ ^[1] | Max | Unit | |
|------------------------|---|---|------|--------------------|----------|------|----|
| f_{clk} | clock frequency | internal CPU/system clock | - | - | 30 | MHz | |
| V_{DD} | supply voltage (core and external rail) | | 1.8 | 3.3 | 3.6 | V | |
| V_{ref} | reference voltage | on pin VREFP | 2.4 | - | V_{DD} | V | |
| Oscillator pins | | | | | | | |
| $V_{i(xtal)}$ | crystal input voltage | on pin XTALIN | -0.5 | 1.8 | 1.95 | V | |
| $V_{o(xtal)}$ | crystal output voltage | on pin XTALOUT | -0.5 | 1.8 | 1.95 | V | |
| Pin capacitance | | | | | | | |
| C_{io} | input/output capacitance | pins with analog and digital functions | [2] | - | - | 7.1 | pF |
| | | I ² C-bus pins (PIO0_10 and PIO0_11) | [2] | - | - | 2.5 | pF |
| | | pins with digital functions only | [2] | - | - | 2.8 | pF |

[1] Typical ratings are not guaranteed. The values listed are for room temperature (25 °C), nominal supply voltages.

[2] Including bonding pad capacitance. Based on simulation, not tested in production.

11.2 Supply pins

Table 8. Static characteristics, supply pins

$T_{amb} = -40\text{ °C}$ to $+105\text{ °C}$, unless otherwise specified.

| Symbol | Parameter | Conditions | Min | Typ ^[1] | Max | Unit | |
|----------|----------------|---|---------------------|--------------------|------|------|---------------|
| I_{DD} | supply current | Active mode; code while(1){} executed from flash; | | | | | |
| | | system clock = 12 MHz; default mode; $V_{DD} = 3.3\text{ V}$ | [2][3][4] [6][7] | - | 1.85 | - | mA |
| | | system clock = 12 MHz; low-current mode; $V_{DD} = 3.3\text{ V}$ | [2][3][4] [6][7] | - | 1.04 | - | mA |
| | | system clock = 30 MHz; default mode; $V_{DD} = 3.3\text{ V}$ | [2][3][6] [7][9] | - | 3.95 | - | mA |
| | | system clock = 30 MHz; low-current mode; $V_{DD} = 3.3\text{ V}$ | [2][3][6] [7][9] | - | 3.2 | - | mA |
| | | Sleep mode | | | | | |
| | | system clock = 12 MHz; default mode; $V_{DD} = 3.3\text{ V}$ | [2][3][4] [6][7] | - | 1.35 | - | mA |
| | | system clock = 12 MHz; low-current mode; $V_{DD} = 3.3\text{ V}$ | [2][3][4] [6][7] | - | 0.8 | - | mA |
| | | system clock = 30 MHz; default mode; $V_{DD} = 3.3\text{ V}$ | [2][3][9] [6][7] | - | 2.55 | - | mA |
| | | system clock = 30 MHz; low-current mode; $V_{DD} = 3.3\text{ V}$ | [2][3][9] [6][7] | - | 2.1 | - | mA |
| I_{DD} | supply current | Deep-sleep mode; $V_{DD} = 3.3\text{ V}$; $T_{amb} = 25\text{ °C}$ | [2][3][10] | - | 158 | 300 | μA |
| | | $T_{amb} = 105\text{ °C}$ | | - | - | 400 | μA |
| I_{DD} | supply current | Power-down mode; $V_{DD} = 3.3\text{ V}$ $T_{amb} = 25\text{ °C}$ | [2][3][10] | - | 1.6 | 10 | μA |
| | | $T_{amb} = 105\text{ °C}$ | | - | - | 50 | μA |
| I_{DD} | supply current | Deep power-down mode; $V_{DD} = 3.3\text{ V}$; 10 kHz low-power oscillator and self-wake-up timer (WKT) disabled $T_{amb} = 25\text{ °C}$ | [2][11] | - | 0.2 | 1 | μA |
| | | $T_{amb} = 105\text{ °C}$ | | - | - | 4 | μA |

Table 8. Static characteristics, supply pins ...continued*T_{amb} = -40 °C to +105 °C, unless otherwise specified.*

| Symbol | Parameter | Conditions | Min | Typ ^[1] | Max | Unit |
|-----------------|----------------|---|-----|--------------------|-----|------|
| I _{DD} | supply current | Deep power-down mode; V _{DD} = 3.3 V; 10 kHz low-power oscillator and self-wake-up timer (WKT) enabled | - | 1.1 | - | μA |
| | | Deep power-down mode; V _{DD} = 3.3 V; external clock input WKTCLKIN @ 10 kHz with self-wake-up timer enabled | - | 0.4 | - | μA |
| | | Deep power-down mode; V _{DD} = 3.3 V; external clock input WKTCLKIN @ 32 kHz with self-wake-up timer enabled | - | 0.7 | - | μA |

[1] Typical ratings are not guaranteed. The values listed are for room temperature (25 °C), nominal supply voltages.

[2] T_{amb} = 25 °C.

[3] I_{DD} measurements were performed with all pins configured as GPIO outputs driven LOW and pull-up resistors disabled.

[4] IRC enabled; system oscillator disabled; system PLL disabled.

[5] System oscillator enabled; IRC disabled; system PLL disabled.

[6] BOD disabled.

[7] All peripherals disabled in the SYSAHBCLKCTRL register. Peripheral clocks to USART, CLKOUT, and IOCON disabled in system configuration block.

[8] IRC enabled; system oscillator disabled; system PLL enabled.

[9] IRC disabled; system oscillator enabled; system PLL enabled.

[10] All oscillators and analog blocks turned off.

[11] WAKEUP pin pulled HIGH externally.

11.3 Electrical pin characteristics

Table 9. Static characteristics, electrical pin characteristics

$T_{amb} = -40\text{ }^{\circ}\text{C}$ to $+105\text{ }^{\circ}\text{C}$, unless otherwise specified.

| Symbol | Parameter | Conditions | Min | Typ ^[1] | Max | Unit |
|---|---|--|------------------------------------|--------------------|-------------------|---------------|
| Standard port pins configured as digital pins, RESET | | | | | | |
| I_{IL} | LOW-level input current | $V_I = 0\text{ V}$; on-chip pull-up resistor disabled | - | 0.5 | 10 ^[2] | nA |
| I_{IH} | HIGH-level input current | $V_I = V_{DD}$; on-chip pull-down resistor disabled | - | 0.5 | 10 ^[2] | nA |
| I_{OZ} | OFF-state output current | $V_O = 0\text{ V}$; $V_O = V_{DD}$; on-chip pull-up/down resistors disabled | - | 0.5 | 10 ^[2] | nA |
| V_I | input voltage | $V_{DD} \geq 1.8\text{ V}$; 5 V tolerant pins except PIO0_6 | ^[4] ^[6] 0 | - | 5 | V |
| | | $V_{DD} = 0\text{ V}$ | 0 | - | 3.6 | V |
| V_O | output voltage | output active | 0 | - | V_{DD} | V |
| V_{IH} | HIGH-level input voltage | | $0.7V_{DD}$ | - | - | V |
| V_{IL} | LOW-level input voltage | | - | - | $0.3V_{DD}$ | V |
| V_{hys} | hysteresis voltage | | - | 0.4 | - | V |
| V_{OH} | HIGH-level output voltage | $I_{OH} = 4\text{ mA}$; $2.5\text{ V} \leq V_{DD} \leq 3.6\text{ V}$ | $V_{DD} - 0.4$ | - | - | V |
| | | $I_{OH} = 3\text{ mA}$; $1.8\text{ V} \leq V_{DD} < 2.5\text{ V}$ | $V_{DD} - 0.4$ | - | - | V |
| V_{OL} | LOW-level output voltage | $I_{OL} = 4\text{ mA}$; $2.5\text{ V} \leq V_{DD} \leq 3.6\text{ V}$ | - | - | 0.4 | V |
| | | $I_{OL} = 3\text{ mA}$; $1.8\text{ V} \leq V_{DD} < 2.5\text{ V}$ | - | - | 0.4 | V |
| I_{OH} | HIGH-level output current | $V_{OH} = V_{DD} - 0.4\text{ V}$; $2.5\text{ V} \leq V_{DD} \leq 3.6\text{ V}$ | 4 | - | - | mA |
| | | $1.8\text{ V} \leq V_{DD} < 2.5\text{ V}$ | 3 | - | - | mA |
| I_{OL} | LOW-level output current | $V_{OL} = 0.4\text{ V}$; $2.5\text{ V} \leq V_{DD} \leq 3.6\text{ V}$ | 4 | - | - | mA |
| | | $1.8\text{ V} \leq V_{DD} < 2.5\text{ V}$ | 3 | - | - | mA |
| I_{OHS} | HIGH-level short-circuit output current | $V_{OH} = 0\text{ V}$ | ^[7] - | - | 45 | mA |
| I_{OLS} | LOW-level short-circuit output current | $V_{OL} = V_{DD}$ | ^[7] - | - | 50 | mA |
| I_{pd} | pull-down current | $V_I = 5\text{ V}$ | 10 | 50 | 150 | μA |
| I_{pu} | pull-up current | $V_I = 0\text{ V}$; $2.0\text{ V} \leq V_{DD} \leq 3.6\text{ V}$ | 15 | 50 | 85 | μA |
| | | $1.8\text{ V} \leq V_{DD} < 2.0\text{ V}$ | 10 | 50 | 85 | |
| | | $V_{DD} < V_I < 5\text{ V}$ | 0 | 0 | 0 | μA |
| High-drive output pin configured as digital pin (PIO0_2, PIO0_3, PIO0_12, PIO0_16) | | | | | | |
| I_{IL} | LOW-level input current | $V_I = 0\text{ V}$; on-chip pull-up resistor disabled | - | 0.5 | 10 ^[2] | nA |
| I_{IH} | HIGH-level input current | $V_I = V_{DD}$; on-chip pull-down resistor disabled | - | 0.5 | 10 ^[2] | nA |
| I_{OZ} | OFF-state output current | $V_O = 0\text{ V}$; $V_O = V_{DD}$; on-chip pull-up/down resistors disabled | - | 0.5 | 10 ^[2] | nA |

Table 9. Static characteristics, electrical pin characteristics ...continued
T_{amb} = -40 °C to +105 °C, unless otherwise specified.

| Symbol | Parameter | Conditions | Min | Typ ^[1] | Max | Unit | |
|--|--|--|-----------------------|---------------------|--------------------|------|----|
| V _I | input voltage | V _{DD} ≥ 1.8 V | [4] [6] | 0 | - | 5.0 | V |
| | | V _{DD} = 0 V | | 0 | - | 3.6 | V |
| V _O | output voltage | output active | 0 | - | V _{DD} | V | |
| V _{IH} | HIGH-level input voltage | | 0.7V _{DD} | - | - | V | |
| V _{IL} | LOW-level input voltage | | - | - | 0.3V _{DD} | V | |
| V _{hys} | hysteresis voltage | | - | 0.4 | - | V | |
| V _{OH} | HIGH-level output voltage | I _{OH} = 20 mA; 2.5 V ≤ V _{DD} < 3.6 V | V _{DD} - 0.4 | - | - | V | |
| | | I _{OH} = 12 mA; 1.8 V ≤ V _{DD} < 2.5 V | V _{DD} - 0.4 | - | - | V | |
| V _{OL} | LOW-level output voltage | I _{OL} = 4 mA | - | - | 0.4 | V | |
| I _{OH} | HIGH-level output current | V _{OH} = V _{DD} - 0.4 V; 2.5 V ≤ V _{DD} < 3.6 V | 20 | - | - | mA | |
| | | V _{OH} = V _{DD} - 0.4 V; 1.8 V ≤ V _{DD} < 2.5 V | 12 | - | - | mA | |
| I _{OL} | LOW-level output current | V _{OL} = 0.4 V 2.5 V ≤ V _{DD} ≤ 3.6 V | 4 | - | - | mA | |
| | | 1.8 V ≤ V _{DD} < 2.5 V | 3 | - | - | mA | |
| I _{OLS} | LOW-level short-circuit output current | V _{OL} = V _{DD} | [7] | - | 50 | mA | |
| I _{pd} | pull-down current | V _I = 5 V | [8] | 10 | 50 | 150 | μA |
| I _{pu} | pull-up current | V _I = 0 V | [8] | -10 | -50 | -85 | μA |
| | | V _{DD} < V _I < 5 V | | 0 | 0 | 0 | μA |
| I²C-bus pins (PIO0_10 and PIO0_11) | | | | | | | |
| V _{IH} | HIGH-level input voltage | | 0.7V _{DD} | - | - | V | |
| V _{IL} | LOW-level input voltage | | - | - | 0.3V _{DD} | V | |
| V _{hys} | hysteresis voltage | | - | 0.05V _{DD} | - | V | |
| I _{OL} | LOW-level output current | V _{OL} = 0.4 V; I ² C-bus pins configured as standard mode pins 2.5 V ≤ V _{DD} < 3.6 V | 3.5 | - | - | mA | |
| | | 1.8 V ≤ V _{DD} < 2.5 V | 3 | - | - | mA | |
| I _{OL} | LOW-level output current | V _{OL} = 0.4 V; I ² C-bus pins configured as Fast-mode Plus pins; 2.5 V ≤ V _{DD} < 3.6 V | 20 | - | - | mA | |
| | | 1.8 V ≤ V _{DD} < 2.5 V | 16 | - | - | mA | |
| I _{LI} | input leakage current | V _I = V _{DD} | [9] | - | 2 | 4 | μA |
| | | V _I = 5 V | | - | 10 | 22 | μA |

[1] Typical ratings are not guaranteed. The values listed are for room temperature (25 °C), nominal supply voltages.

[2] Based on characterization. Not tested in production.

[3] Low-current mode PWR_LOW_CURRENT selected when running the set_power routine in the power profiles.

[4] Including voltage on outputs in 3-state mode.

- [5] V_{DD} supply voltage must be present.
- [6] 3-state outputs go into 3-state mode in Deep power-down mode.
- [7] Allowed as long as the current limit does not exceed the maximum current allowed by the device.
- [8] Pull-up and pull-down currents are measured across the weak internal pull-up/pull-down resistors. See [Figure 12](#).
- [9] To V_{SS} .

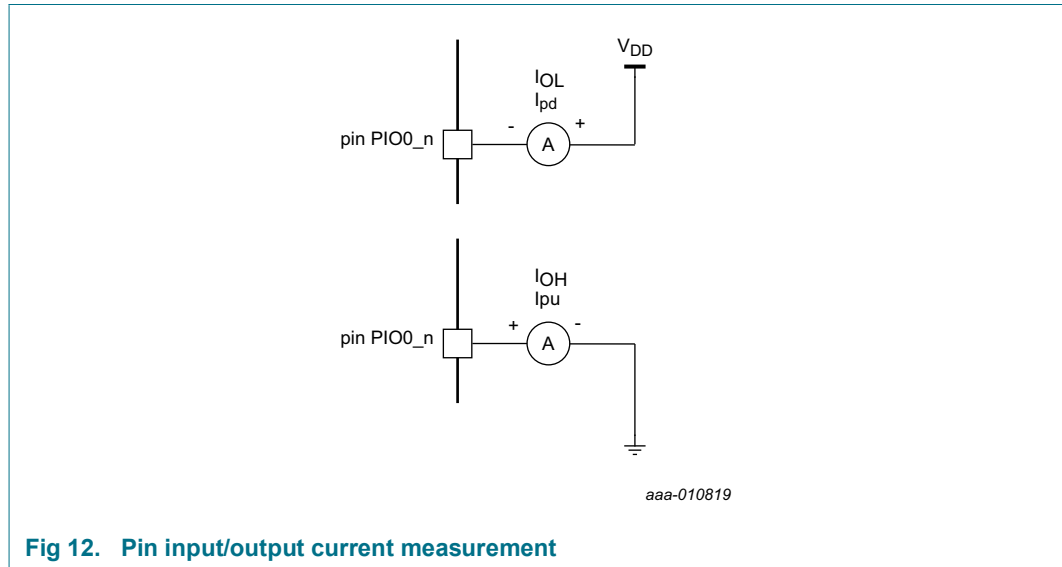
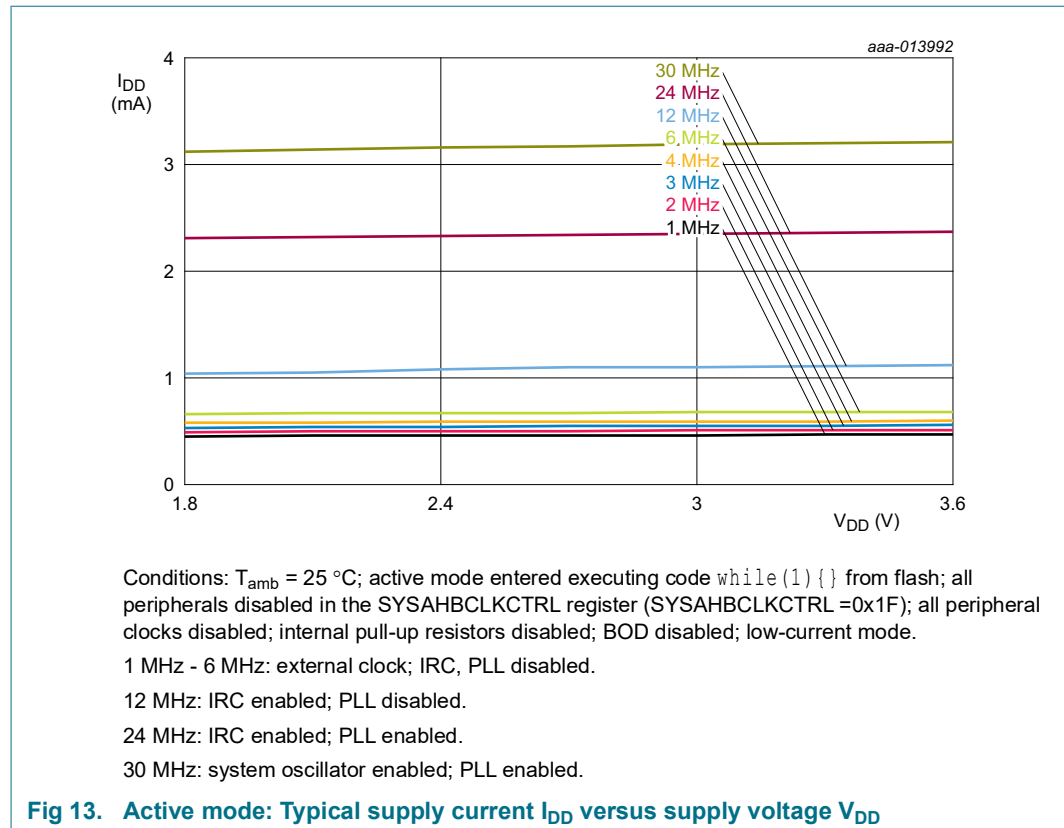


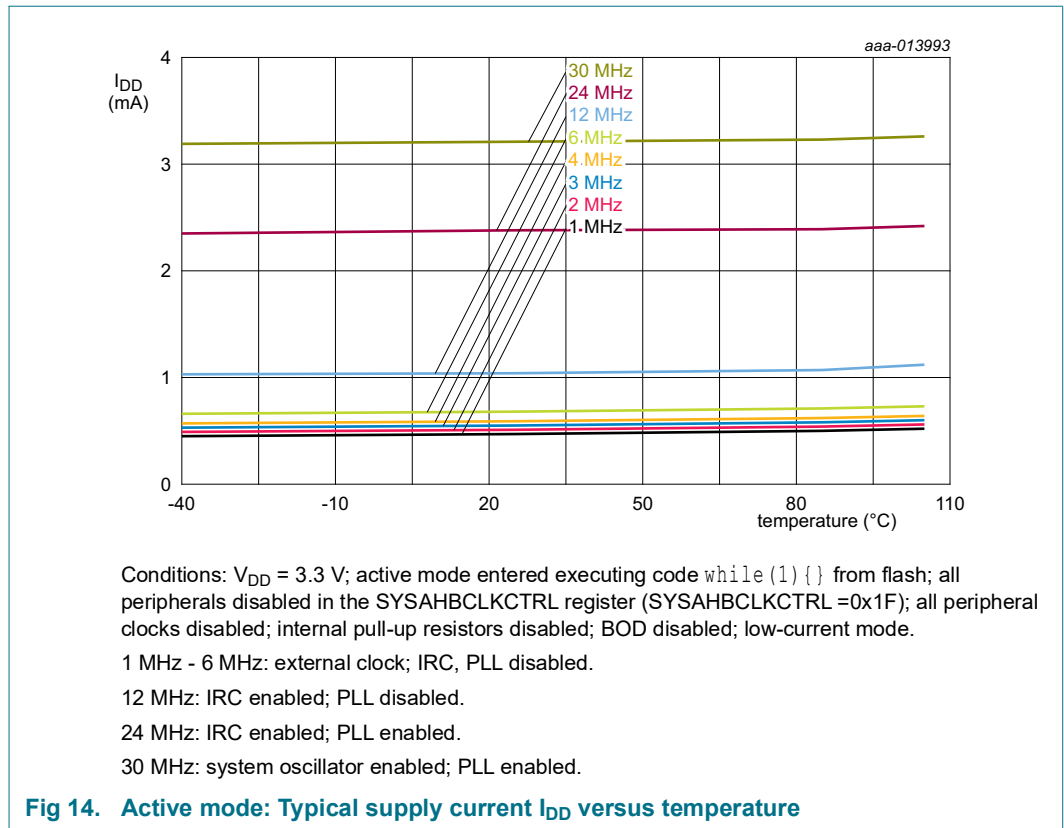
Fig 12. Pin input/output current measurement

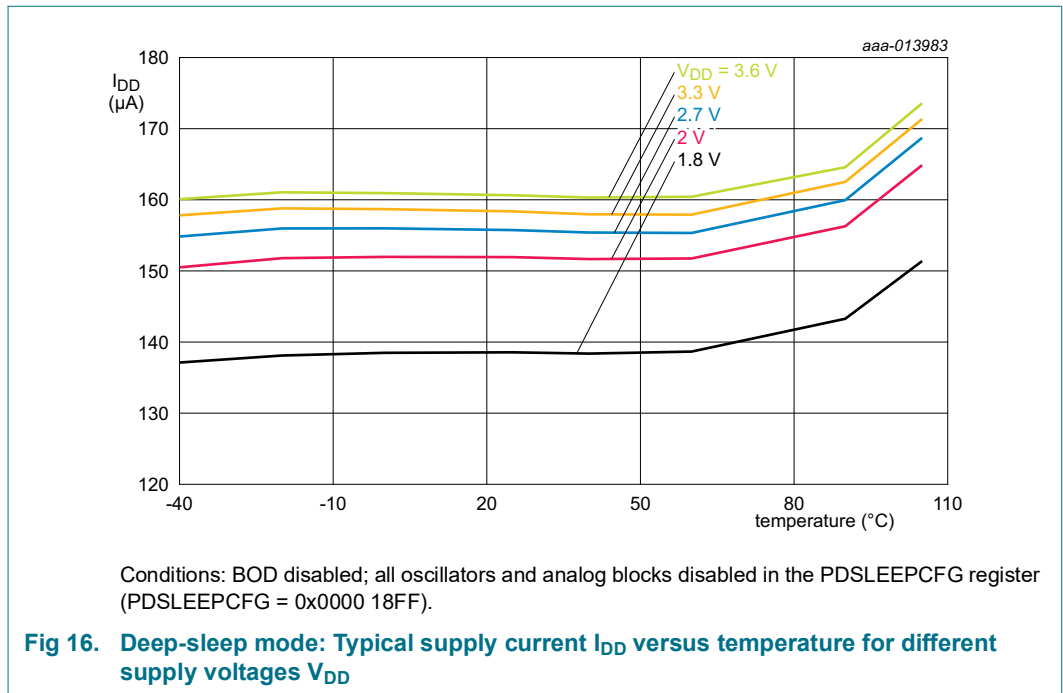
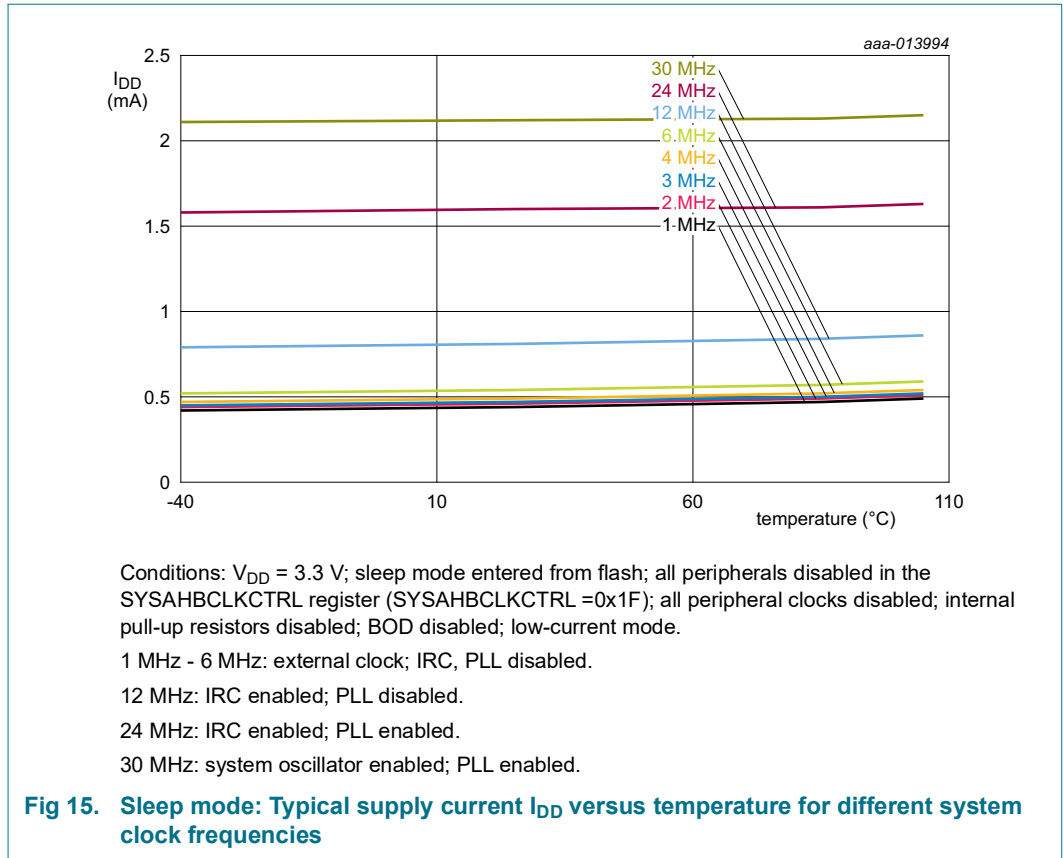
11.4 Power consumption

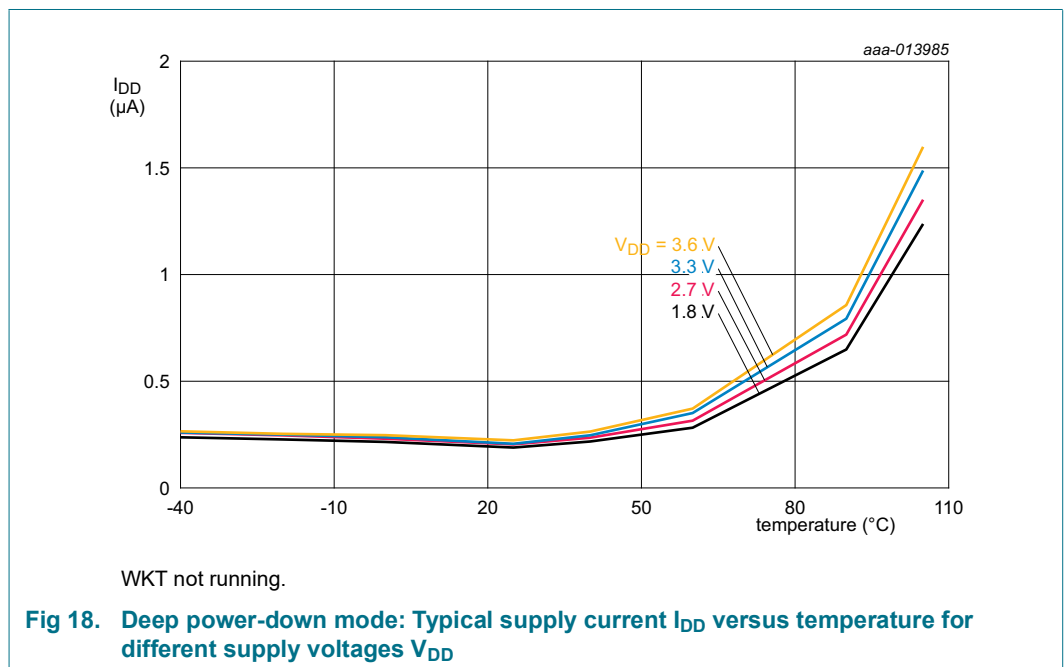
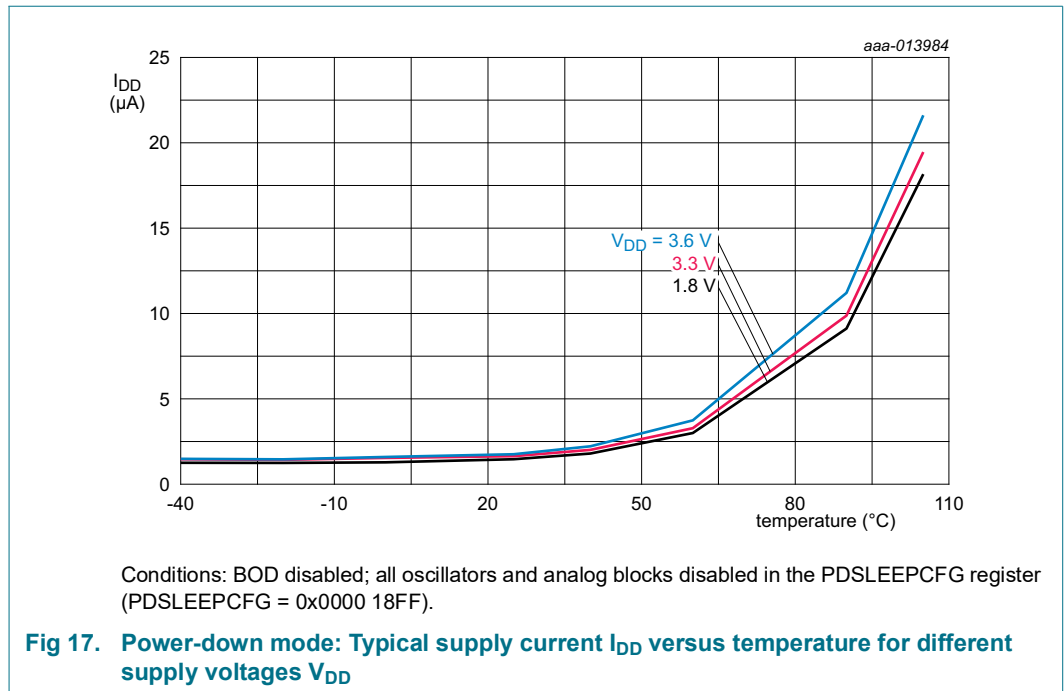
Power measurements in Active, Sleep, Deep-sleep, and Power-down modes were performed under the following conditions:

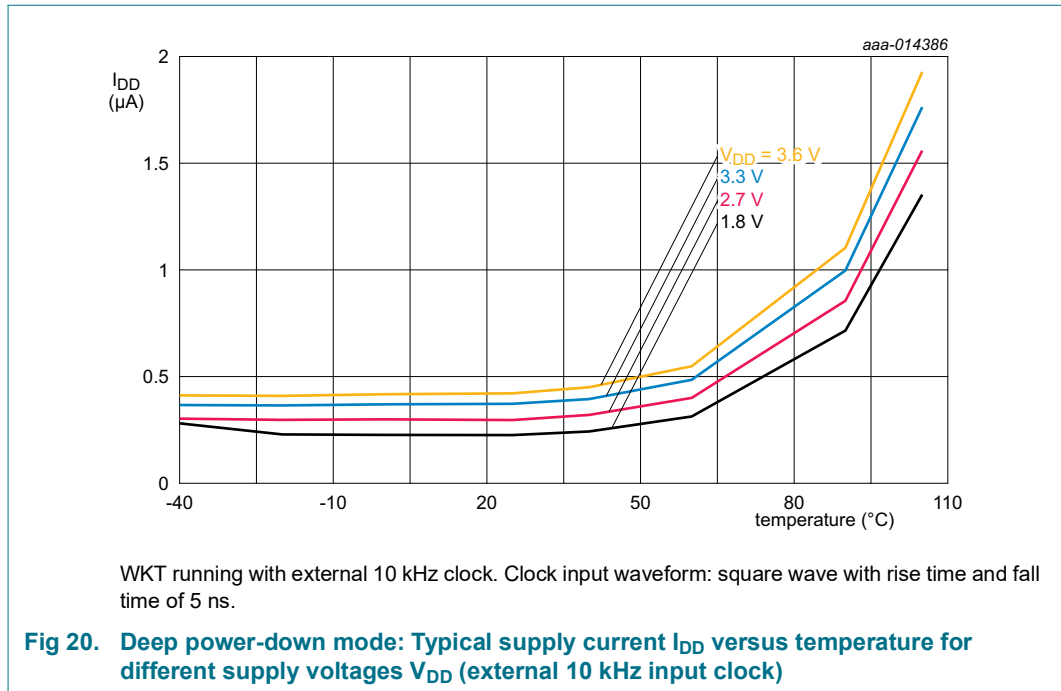
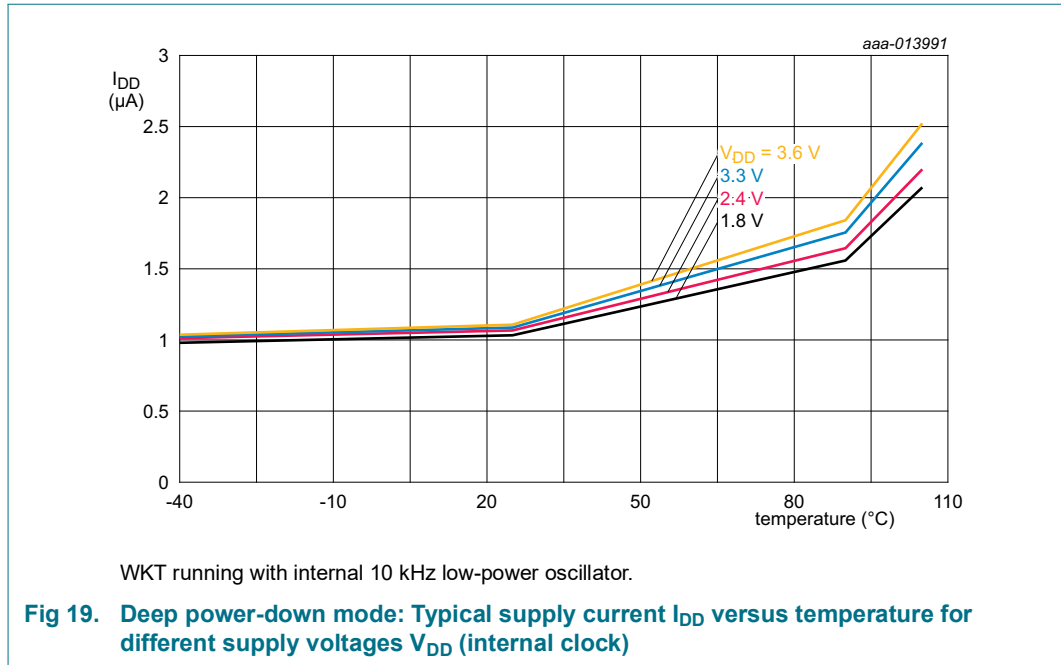
- Configure all pins as GPIO with pull-up resistor disabled in the IOCON block.
- Configure GPIO pins as outputs using the GPIO DIR register.
- Write 1 to the GPIO CLR register to drive the outputs LOW.

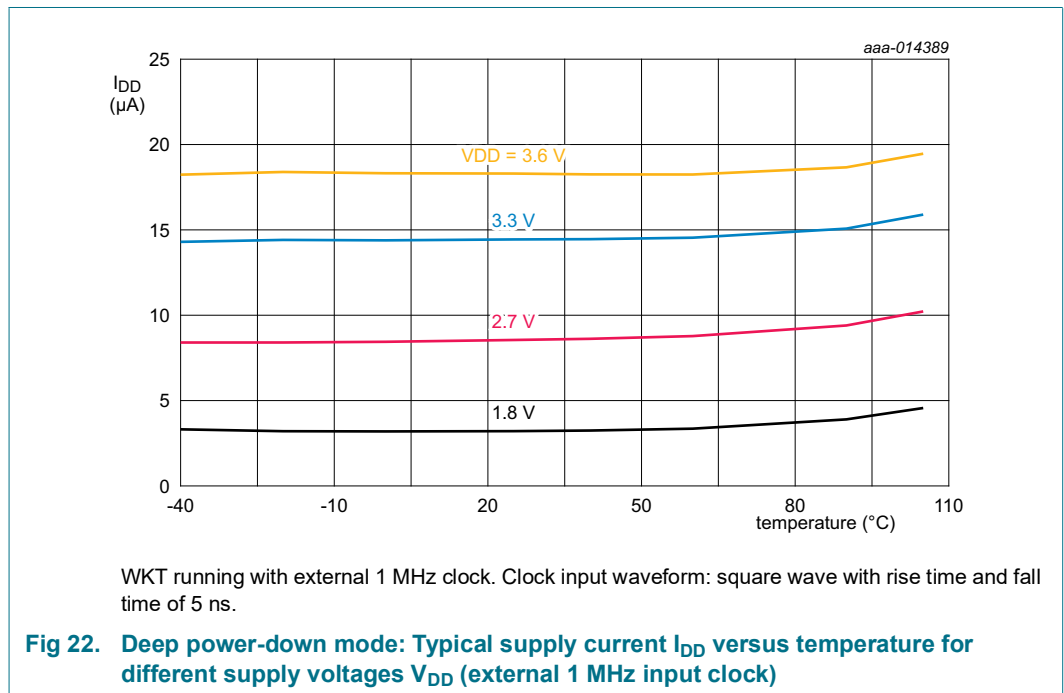
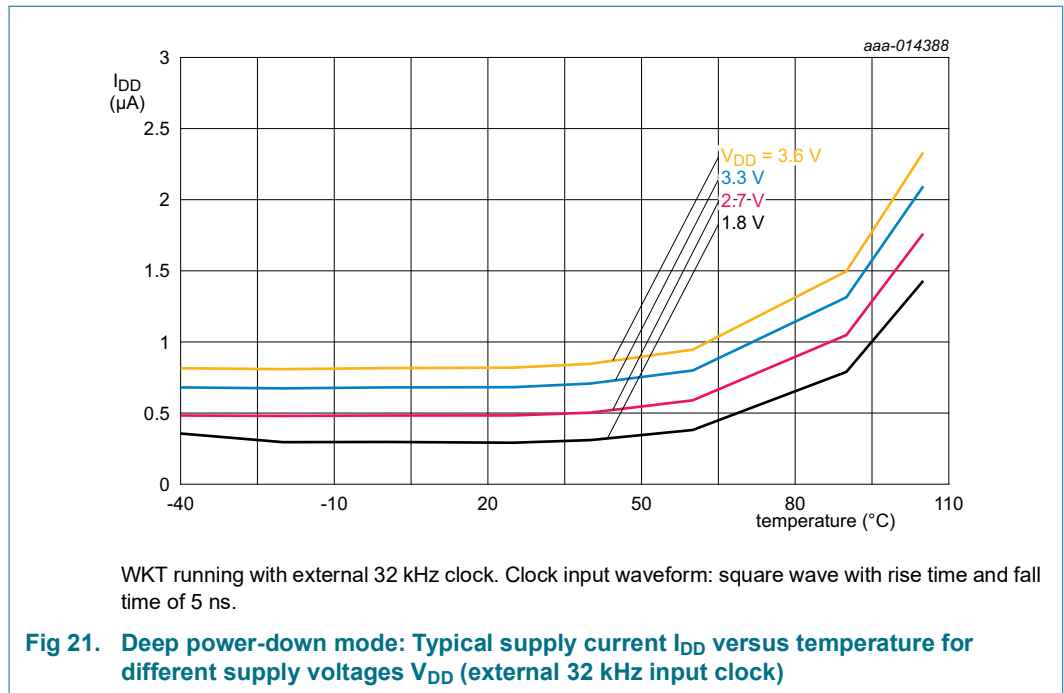




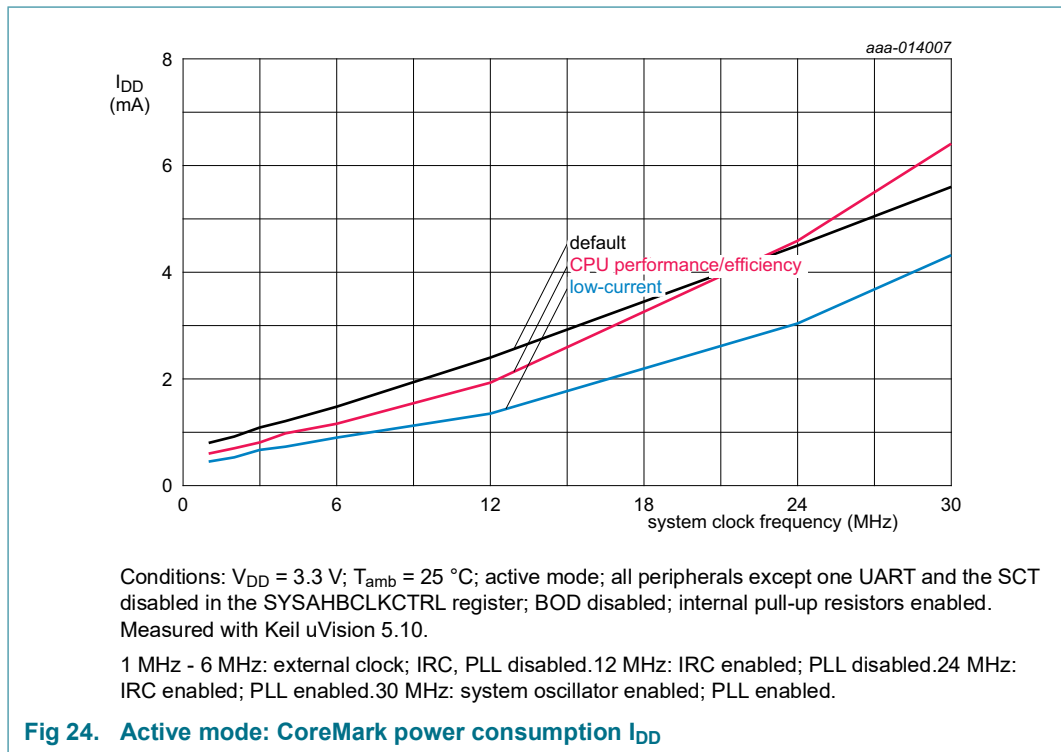
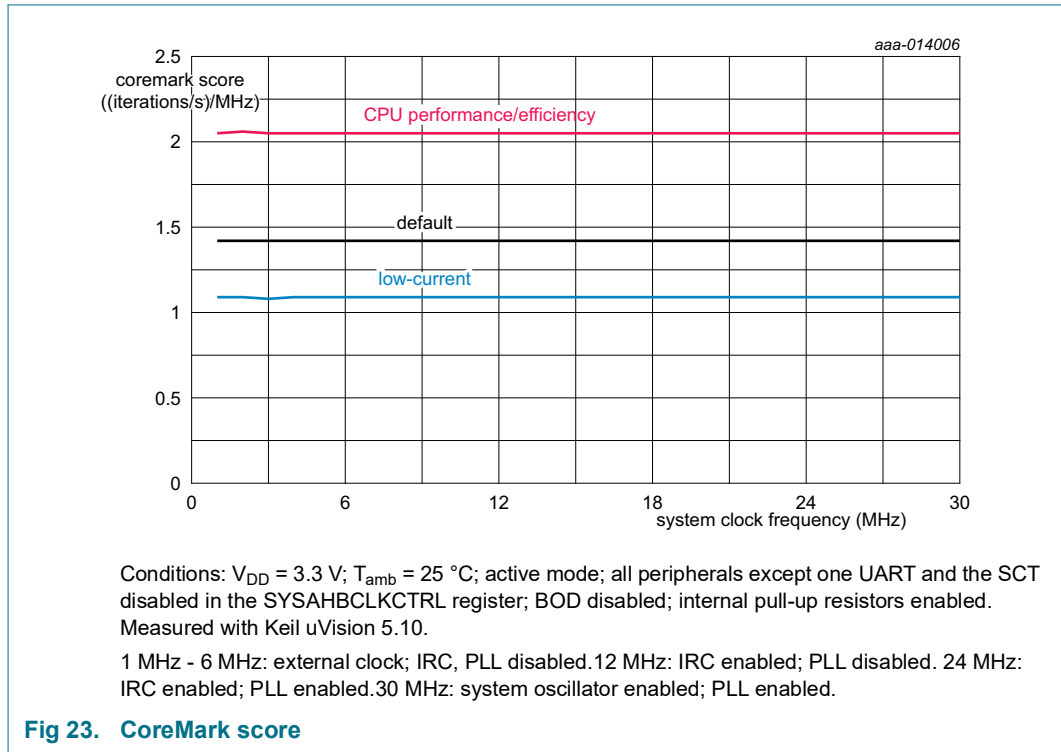








11.5 CoreMark data



11.6 Peripheral power consumption

The supply current per peripheral is measured as the difference in supply current between the peripheral block enabled and the peripheral block disabled in the SYSAHBCLKCFG and PDRUNCFG (for analog blocks) registers. All other blocks are disabled in both registers and no code accessing the peripheral is executed. Measured on a typical sample at $T_{amb} = 25\text{ }^{\circ}\text{C}$. Unless noted otherwise, the system oscillator and PLL are running in both measurements.

The supply currents are shown for system clock frequencies of 12 MHz and 30 MHz.

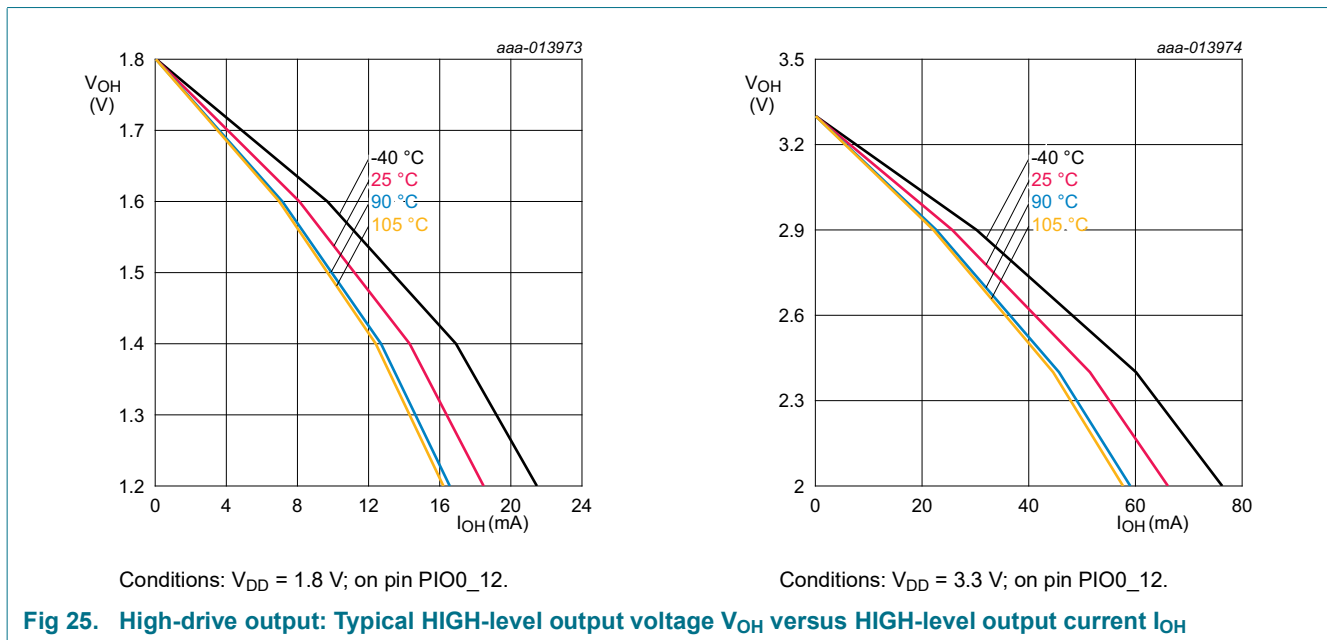
Table 10. Power consumption for individual analog and digital blocks

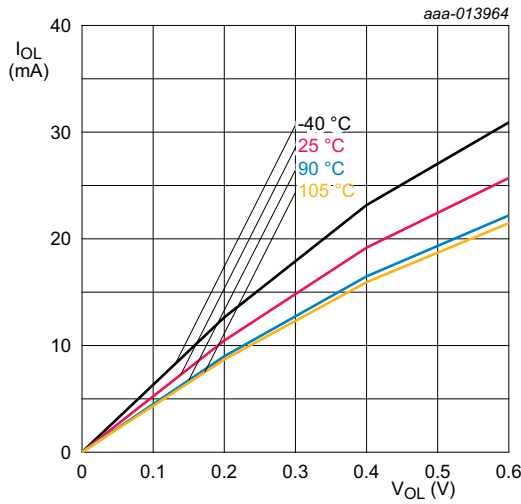
| Peripheral | Typical supply current in μA | | | Notes |
|------------------------------------|---|--------|--------|--|
| | System clock frequency = | | | |
| | n/a | 12 MHz | 30 MHz | |
| IRC | 261 | - | - | System oscillator running; PLL off; independent of main clock frequency; IRC output disabled. |
| System oscillator at 12 MHz | 274 | - | - | IRC running; PLL off; independent of main clock frequency. |
| Watchdog oscillator | 2 | - | - | System oscillator running; PLL off; independent of main clock frequency. |
| BOD | 39 | - | - | Independent of main clock frequency. |
| Main PLL | - | 301 | - | - |
| CLKOUT | - | 67 | 150 | Main clock divided by 4 in the CLKOUTDIV register. |
| ROM | - | 27 | 68 | - |
| GPIO + pin interrupt/pattern match | - | 95 | 233 | GPIO pins configured as outputs and set to LOW. Direction and pin state are maintained if the GPIO is disabled in the SYSAHBCLKCFG register. |
| SWM | - | 59 | 145 | - |
| IOCON | - | 45 | 110 | - |
| SCTimer/PWM | - | 168 | 411 | - |
| MRT | - | 89 | 220 | - |
| WWDT | - | 29 | 71 | - |
| I2C0 | - | 54 | 132 | - |
| I2C1 | - | 49 | 122 | - |
| I2C2 | - | 52 | 127 | - |
| I2C3 | - | 57 | 142 | - |
| SPI0 | - | 55 | 136 | - |
| SPI1 | - | 55 | 136 | - |
| USART0 | - | 50 | 124 | - |
| USART1 | - | 54 | 134 | - |
| USART2 | - | 56 | 138 | - |
| Comparator ACMP | - | 34 | 82 | - |

Table 10. Power consumption for individual analog and digital blocks ...continued

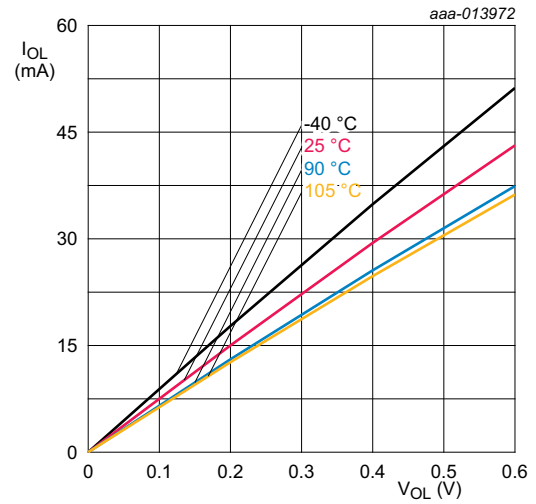
| Peripheral | Typical supply current in μA | | | Notes |
|------------|---|--------|--------|---|
| | System clock frequency = | | | |
| | n/a | 12 MHz | 30 MHz | |
| ADC | - | 57 | 141 | Digital controller only. Analog portion of the ADC disabled in the PDRUNCFG register. |
| | - | 57 | 141 | Combined analog and digital logic. ADC enabled in the PDRUNCFG register and LPWRMODE bit set to 1 in the ADC CTRL register (ADC in low-power mode). |
| | - | 1990 | 2070 | Combined analog and digital logic. ADC enabled in the PDRUNCFG register and LPWRMODE bit set to 0 in the ADC CTRL register (ADC powered). |
| DMA | - | 324 | 793 | |
| CRC | - | 34 | 85 | - |

11.7 Electrical pin characteristics



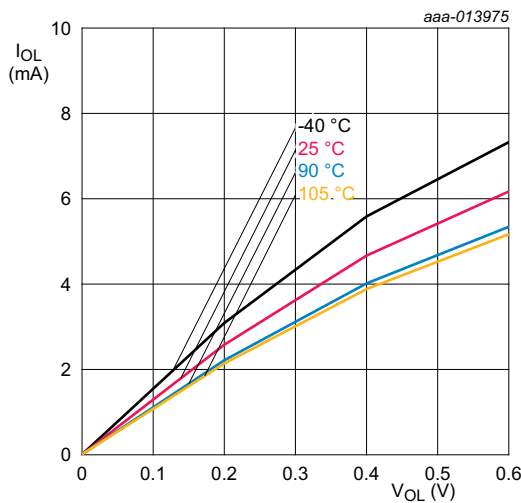


Conditions: $V_{DD} = 1.8$ V; on pins PIO0_10 and PIO0_11.

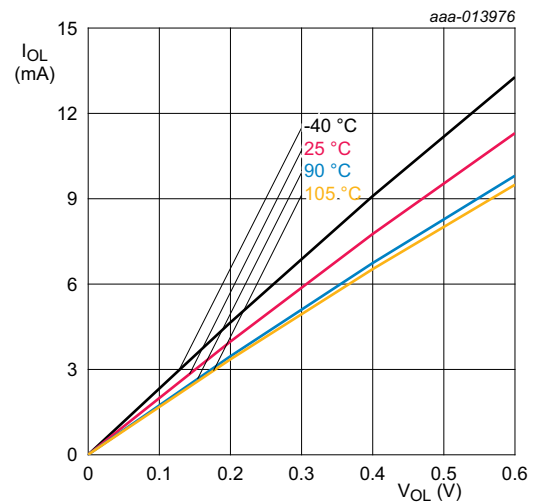


Conditions: $V_{DD} = 3.3$ V; on pins PIO0_10 and PIO0_11.

Fig 26. I²C-bus pins (high current sink): Typical LOW-level output current I_{OL} versus LOW-level output voltage V_{OL}

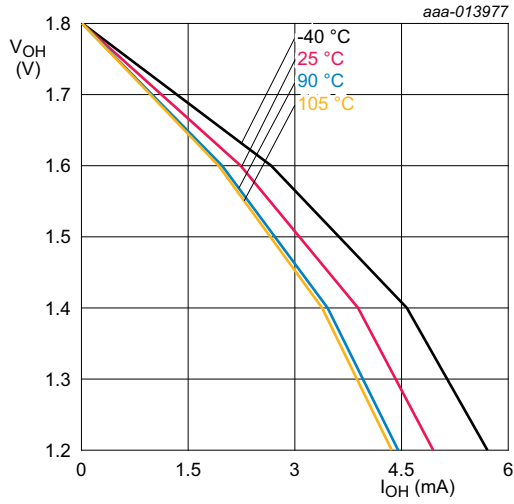


Conditions: $V_{DD} = 1.8$ V; standard port pins and high-drive pin PIO0_12.

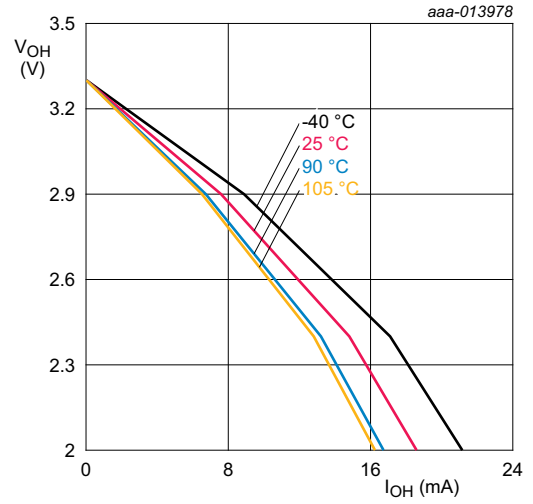


Conditions: $V_{DD} = 3.3$ V; standard port pins and high-drive pin PIO0_12.

Fig 27. Typical LOW-level output current I_{OL} versus LOW-level output voltage V_{OL}

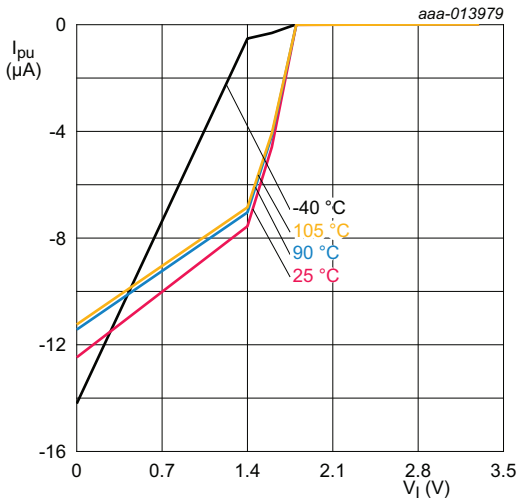


Conditions: $V_{DD} = 1.8\text{ V}$; standard port pins.

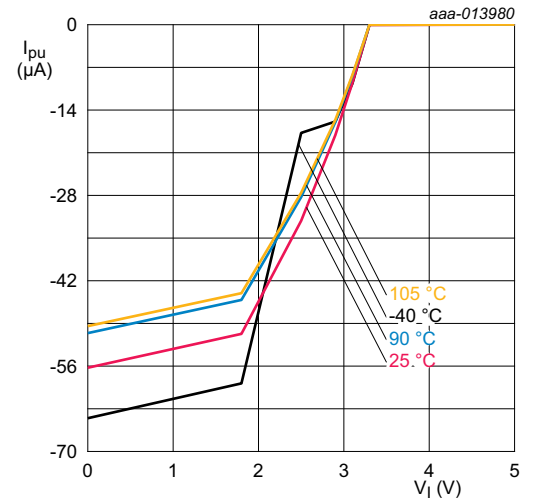


Conditions: $V_{DD} = 3.3\text{ V}$; standard port pins.

Fig 28. Typical HIGH-level output voltage V_{OH} versus HIGH-level output source current I_{OH}

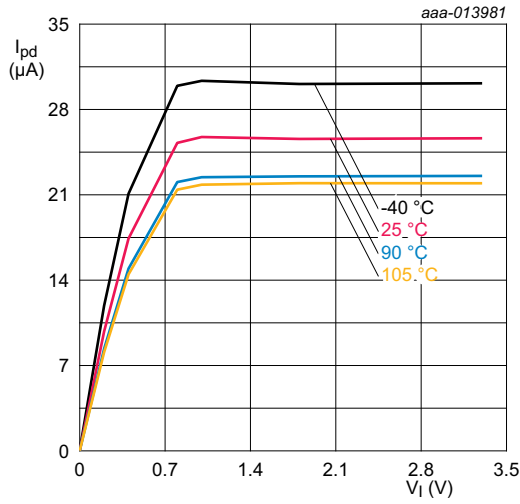


Conditions: $V_{DD} = 1.8\text{ V}$; standard port pins.

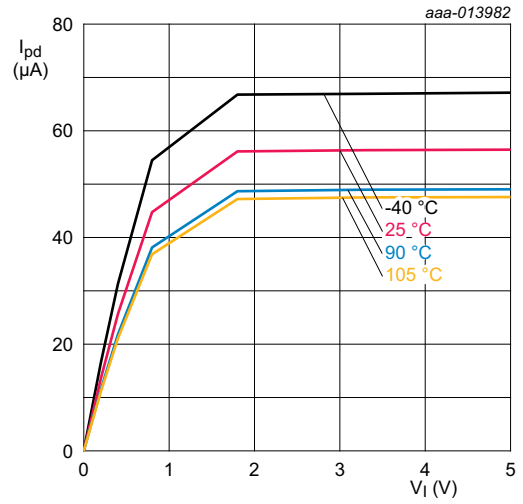


Conditions: $V_{DD} = 3.3\text{ V}$; standard port pins.

Fig 29. Typical pull-up current I_{PU} versus input voltage V_i



Conditions: $V_{DD} = 1.8$ V; standard port pins.



Conditions: $V_{DD} = 3.3$ V; standard port pins.

Fig 30. Typical pull-down current I_{PD} versus input voltage V_i

12. Dynamic characteristics

12.1 Power-up ramp conditions

Table 11. Power-up characteristics

$T_{amb} = -40\text{ °C to }+105\text{ °C}; 1.8\text{ V} \leq V_{DD} \leq 3.6\text{ V}$

| Symbol | Parameter | Conditions | | Min | Typ | Max | Unit |
|------------|---------------|------------------------------|-----------|-----|-----|-----|---------------|
| t_r | rise time | $V_I \leq 200\text{ mV}$ | [1][3] | 0 | - | 500 | ms |
| t_{wait} | wait time | | [1][2][3] | 12 | - | - | μs |
| V_I | input voltage | at $t = t_1$ on pin V_{DD} | [3] | 0 | - | 200 | mV |

[1] See [Figure 31](#).

[2] The wait time specifies the time the power supply must be at levels below 200 mV before ramping up. See the LPC82x errata sheet.

[3] Based on characterization, not tested in production.

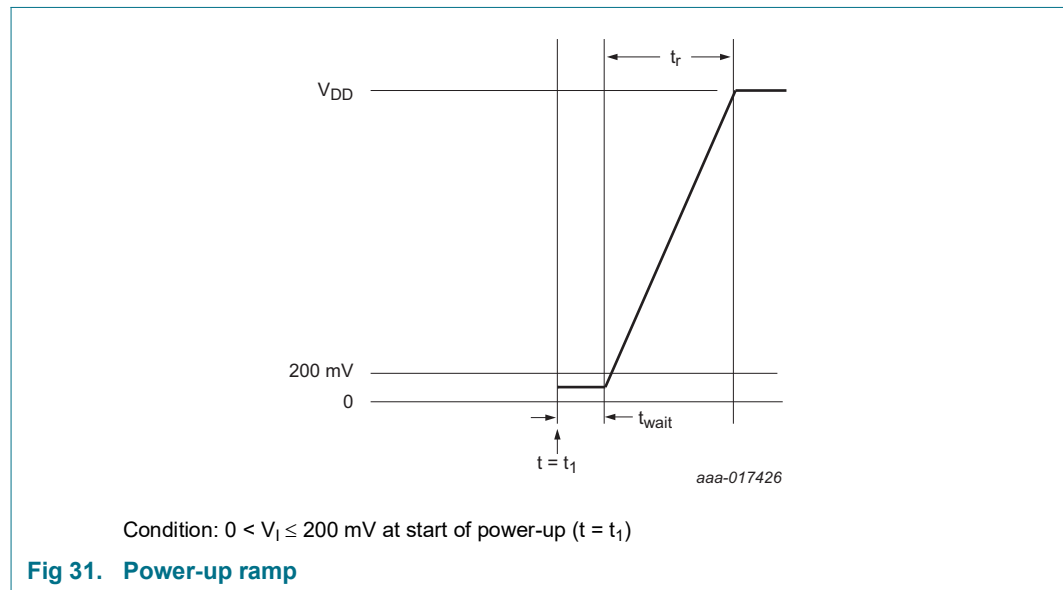


Fig 31. Power-up ramp

12.2 Flash/EEPROM memory

Table 12. Flash characteristics

$T_{amb} = -40\text{ °C to }+105\text{ °C}$. Based on JEDEC NVM qualification. Failure rate < 10 ppm for parts as specified below.

| Symbol | Parameter | Conditions | | Min | Typ | Max | Unit |
|------------|-----------|------------|-----|-------|--------|-----|--------|
| N_{endu} | endurance | | [1] | 10000 | 100000 | - | cycles |

Table 12. Flash characteristics

$T_{amb} = -40\text{ }^{\circ}\text{C}$ to $+105\text{ }^{\circ}\text{C}$. Based on JEDEC NVM qualification. Failure rate < 10 ppm for parts as specified below.

| Symbol | Parameter | Conditions | Min | Typ | Max | Unit |
|------------|------------------|--|----------|-----|------|-------|
| t_{ret} | retention time | powered | 10 | 20 | - | years |
| | | not powered | 20 | 40 | - | years |
| t_{er} | erase time | page or multiple consecutive pages, sector or multiple consecutive sectors | 95 | 100 | 105 | ms |
| t_{prog} | programming time | | [2] 0.95 | 1 | 1.05 | ms |

[1] Number of program/erase cycles.

[2] Programming times are given for writing 64 bytes to the flash. $T_{amb} \leq +85\text{ }^{\circ}\text{C}$. Flash programming with IAP calls (see *LPC82x user manual*).

12.3 External clock for the oscillator in slave mode

Remark: The input voltage on the XTALIN and XTALOUT pins must be $\leq 1.95\text{ V}$ (see [Table 7](#)). For connecting the oscillator to the XTAL pins, also see [Section 12.3](#).

Table 13. Dynamic characteristic: external clock (XTALIN input)

$T_{amb} = -40\text{ }^{\circ}\text{C}$ to $+105\text{ }^{\circ}\text{C}$; V_{DD} over specified ranges.[1]

| Symbol | Parameter | Min | Typ[2] | Max | Unit |
|--------------|----------------------|-------------------------|--------|------|------|
| f_{osc} | oscillator frequency | 1 | - | 25 | MHz |
| $T_{cy(dk)}$ | clock cycle time | 40 | - | 1000 | ns |
| t_{CHCX} | clock HIGH time | $T_{cy(dk)} \times 0.4$ | - | - | ns |
| t_{CLCX} | clock LOW time | $T_{cy(dk)} \times 0.4$ | - | - | ns |
| t_{CLCH} | clock rise time | - | - | 5 | ns |
| t_{CHCL} | clock fall time | - | - | 5 | ns |

[1] Parameters are valid over operating temperature range unless otherwise specified.

[2] Typical ratings are not guaranteed. The values listed are for room temperature (25 °C), nominal supply voltages.

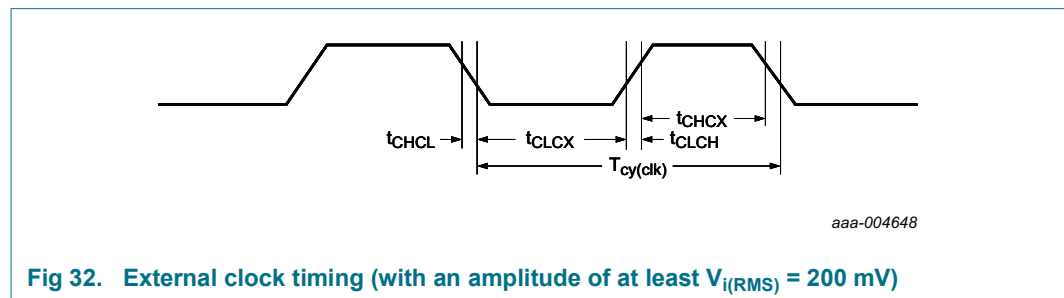


Fig 32. External clock timing (with an amplitude of at least $V_{i(RMS)} = 200\text{ mV}$)

12.4 Internal oscillators

Table 14. Dynamic characteristics: IRC

$T_{amb} = -40\text{ }^{\circ}\text{C}$ to $+105\text{ }^{\circ}\text{C}$; $2.7\text{ V} \leq V_{DD} \leq 3.6\text{ V}$ [1].

| Symbol | Parameter | Conditions | Min | Typ [2] | Max | Unit |
|---------------|----------------------------------|------------|-------|---------|-------|------|
| $f_{osc(RC)}$ | internal RC oscillator frequency | - | 11.82 | 12 | 12.18 | MHz |

[1] Parameters are valid over operating temperature range unless otherwise specified.

[2] Typical ratings are not guaranteed. The values listed are for room temperature (25 °C), nominal supply voltages.

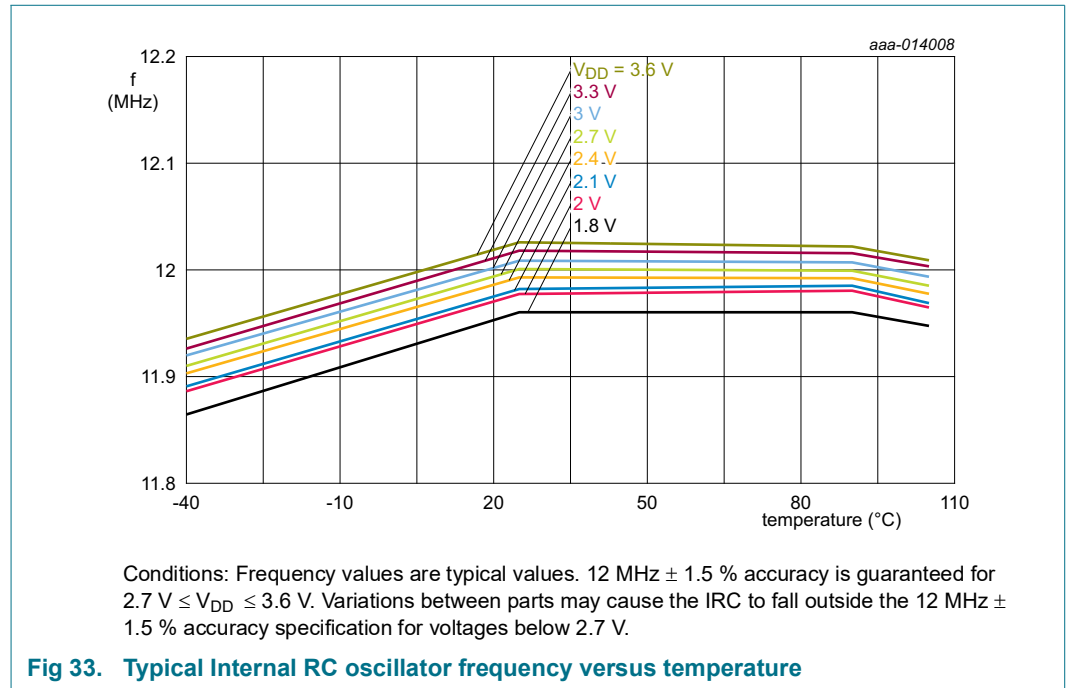


Fig 33. Typical Internal RC oscillator frequency versus temperature

Table 15. Dynamic characteristics: Watchdog oscillator

| Symbol | Parameter | Conditions | Min | Typ [1] | Max | Unit | |
|----------------|-------------------------------|--|--------|---------|------|------|-----|
| $f_{osc(int)}$ | internal oscillator frequency | DIVSEL = 0x1F, FREQSEL = 0x1 in the WDTOSCCTRL register; | [2][3] | - | 9.4 | - | kHz |
| | | DIVSEL = 0x00, FREQSEL = 0xF in the WDTOSCCTRL register | [2][3] | - | 2300 | - | kHz |

[1] Typical ratings are not guaranteed. The values listed are at nominal supply voltages.

[2] The typical frequency spread over processing and temperature ($T_{amb} = -40\text{ }^{\circ}\text{C}$ to $+105\text{ }^{\circ}\text{C}$) is ±40 %.

[3] See the LPC82x user manual.

12.4.1 I/O pins

Table 16. Dynamic characteristics: I/O pins^[1]

$T_{amb} = -40\text{ }^{\circ}\text{C}$ to $+105\text{ }^{\circ}\text{C}$; $3.0\text{ V} \leq V_{DD} \leq 3.6\text{ V}$.

| Symbol | Parameter | Conditions | Min | Typ | Max | Unit |
|--------|-----------|--------------------------|-----|-----|-----|------|
| t_r | rise time | pin configured as output | 3.0 | - | 5.0 | ns |
| t_f | fall time | pin configured as output | 2.5 | - | 5.0 | ns |

[1] Applies to standard port pins and $\overline{\text{RESET}}$ pin.

12.4.2 WKTCLKIN pin (wake-up clock input)

Table 17. Dynamic characteristics: WKTCLKIN pin

$T_{amb} = -40\text{ }^{\circ}\text{C}$ to $+105\text{ }^{\circ}\text{C}$; $1.8\text{ V} \leq V_{DD} \leq 3.6\text{ V}$.

| Symbol | Parameter | Conditions | Min | Max | Unit | |
|-------------------|-----------------|--|-----|-----|------|-----|
| f_{clk} | clock frequency | deep power-down mode and power-down mode | [1] | - | 1 | MHz |
| | | deep-sleep, sleep, and active mode | [1] | - | 10 | MHz |
| t_{CHCX} | clock HIGH time | - | 50 | - | ns | |
| t_{CLCX} | clock LOW time | - | 50 | - | ns | |

[1] Assuming a square-wave input clock.

12.4.3 SCTimer/PWM output timing

Table 18. SCTimer/PWM output dynamic characteristics

$T_{amb} = -40\text{ }^{\circ}\text{C}$ to $105\text{ }^{\circ}\text{C}$; $2.4\text{ V} \leq V_{DD} \leq 3.6\text{ V}$; $C_L = 10\text{ pF}$. Simulated skew (over process, voltage, and temperature) of any two SCT output signals routed to standard I/O pins; sampled at the 50 % level of the falling or rising edge; values guaranteed by design.

| Symbol | Parameter | Conditions | Min | Typ | Max | Unit |
|--------------------|------------------|------------|-----|-----|-----|------|
| $t_{\text{sk(o)}}$ | output skew time | - | - | - | 4 | ns |

12.4.4 I²C-bus

Table 19. Dynamic characteristic: I²C-bus pins^[1]

$T_{amb} = -40\text{ }^{\circ}\text{C}$ to $+105\text{ }^{\circ}\text{C}$; values guaranteed by design.^[2]

| Symbol | Parameter | Conditions | Min | Max | Unit |
|------------------|---------------------|---|-----------------------|-----|------|
| f_{SCL} | SCL clock frequency | Standard-mode | 0 | 100 | kHz |
| | | Fast-mode | 0 | 400 | kHz |
| | | Fast-mode Plus; on pins PIO0_10 and PIO0_11 | 0 | 1 | MHz |
| t_f | fall time | [4][5][6][7] of both SDA and SCL signals | - | 300 | ns |
| | | Standard-mode | - | 300 | ns |
| | | Fast-mode | $20 + 0.1 \times C_b$ | 300 | ns |
| | | Fast-mode Plus; on pins PIO0_10 and PIO0_11 | - | 120 | ns |

Table 19. Dynamic characteristic: I²C-bus pins^[1]
 $T_{amb} = -40\text{ }^{\circ}\text{C}$ to $+105\text{ }^{\circ}\text{C}$; values guaranteed by design.^[2]

| Symbol | Parameter | | Conditions | Min | Max | Unit |
|---------------------|------------------------------|-----------|---|------|-----|------|
| t _{LOW} | LOW period of the SCL clock | | Standard-mode | 4.7 | - | μs |
| | | | Fast-mode | 1.3 | - | μs |
| | | | Fast-mode Plus; on pins PIO0_10 and PIO0_11 | 0.5 | - | μs |
| t _{HIGH} | HIGH period of the SCL clock | | Standard-mode | 4.0 | - | μs |
| | | | Fast-mode | 0.6 | - | μs |
| | | | Fast-mode Plus; on pins PIO0_10 and PIO0_11 | 0.26 | - | μs |
| t _{HD;DAT} | data hold time | [3][4][6] | Standard-mode | 0 | - | μs |
| | | | Fast-mode | 0 | - | μs |
| | | | Fast-mode Plus; on pins PIO0_10 and PIO0_11 | 0 | - | μs |
| t _{SU;DAT} | data set-up time | [9][10] | Standard-mode | 250 | - | ns |
| | | | Fast-mode | 100 | - | ns |
| | | | Fast-mode Plus; on pins PIO0_10 and PIO0_11 | 50 | - | ns |

- [1] See the I²C-bus specification *UM10204* for details.
- [2] Parameters are valid over operating temperature range unless otherwise specified.
- [3] t_{HD;DAT} is the data hold time that is measured from the falling edge of SCL; applies to data in transmission and the acknowledge.
- [4] A device must internally provide a hold time of at least 300 ns for the SDA signal (with respect to the V_{IH(min)} of the SCL signal) to bridge the undefined region of the falling edge of SCL.
- [5] C_b = total capacitance of one bus line in pF.
- [6] The maximum t_f for the SDA and SCL bus lines is specified at 300 ns. The maximum fall time for the SDA output stage t_f is specified at 250 ns. This allows series protection resistors to be connected in between the SDA and the SCL pins and the SDA/SCL bus lines without exceeding the maximum specified t_f.
- [7] In Fast-mode Plus, fall time is specified the same for both output stage and bus timing. If series resistors are used, designers should allow for this when considering bus timing.
- [8] The maximum t_{HD;DAT} could be 3.45 μs and 0.9 μs for Standard-mode and Fast-mode but must be less than the maximum of t_{VD;DAT} or t_{VD;ACK} by a transition time (see *UM10204*). This maximum must only be met if the device does not stretch the LOW period (t_{LOW}) of the SCL signal. If the clock stretches the SCL, the data must be valid by the set-up time before it releases the clock.
- [9] t_{SU;DAT} is the data set-up time that is measured with respect to the rising edge of SCL; applies to data in transmission and the acknowledge.
- [10] A Fast-mode I²C-bus device can be used in a Standard-mode I²C-bus system but the requirement t_{SU;DAT} = 250 ns must then be met. This will automatically be the case if the device does not stretch the LOW period of the SCL signal. If such a device does stretch the LOW period of the SCL signal, it must output the next data bit to the SDA line t_{r(max)} + t_{SU;DAT} = 1000 + 250 = 1250 ns (according to the Standard-mode I²C-bus specification) before the SCL line is released. Also the acknowledge timing must meet this set-up time.

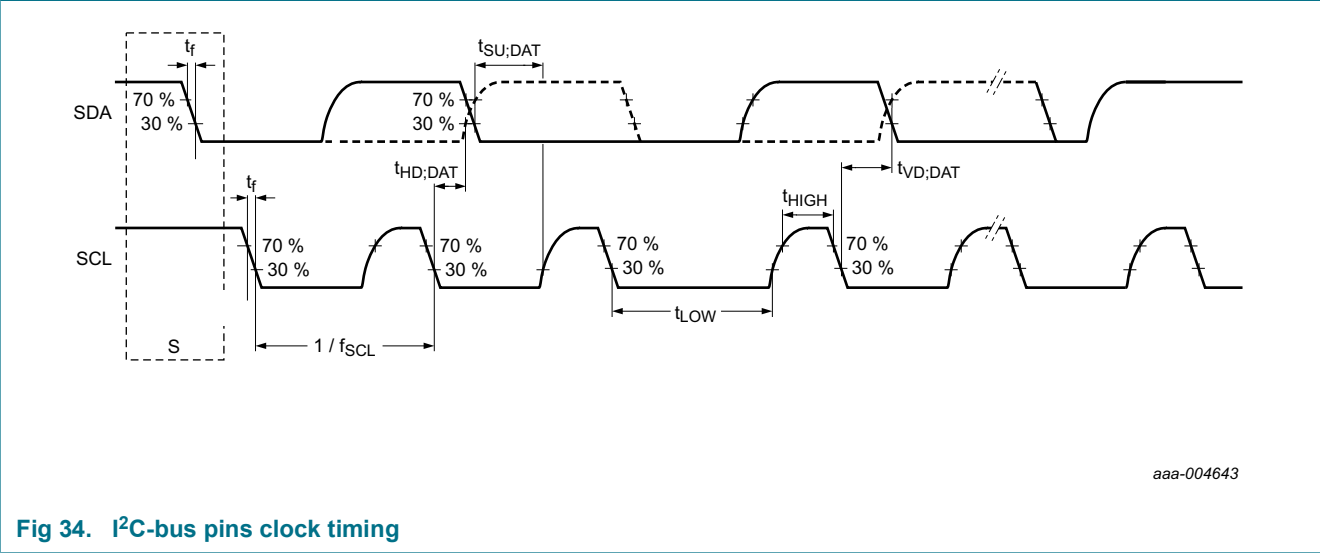


Fig 34. I²C-bus pins clock timing

12.4.5 SPI interfaces

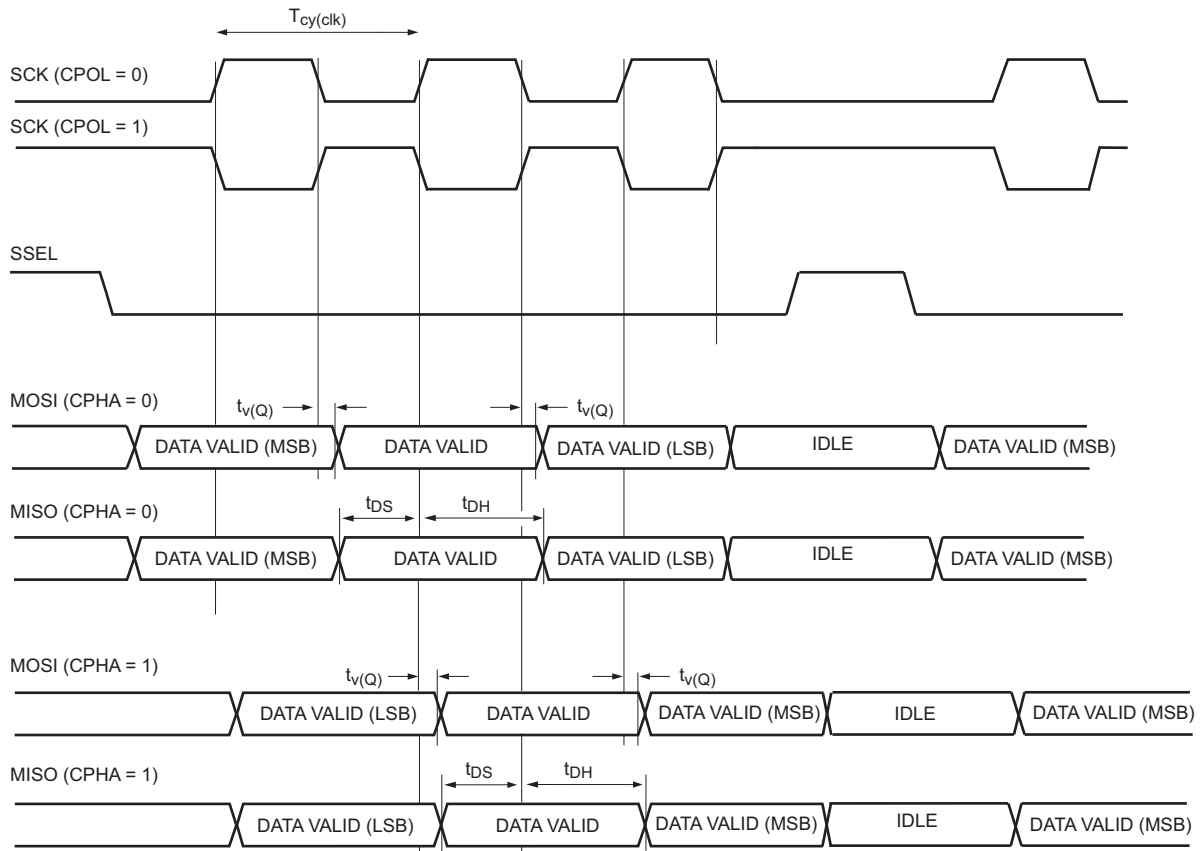
In master mode, the maximum supported bit rate is limited by the maximum system clock to 30 Mbit/s. In slave mode, assuming a set-up time of 3 ns for the external device and neglecting any PCB trace delays, the maximum supported bit rate is $1/(2 \times (26 \text{ ns} + 3 \text{ ns})) = 17 \text{ Mbit/s}$ at $3.0 \text{ V} \leq V_{DD} \leq 3.6 \text{ V}$ and 13 Mbit/s at $1.8 \text{ V} \leq V_{DD} < 3.0 \text{ V}$. The actual bit rate depends on the delays introduced by the external trace and the external device.

Remark: SPI functions can be assigned to all digital pins. The characteristics are valid for all digital pins except the open-drain pins PIO0_10 and PIO0_11.

Table 20. SPI dynamic characteristics

$T_{amb} = -40 \text{ }^{\circ}\text{C}$ to $105 \text{ }^{\circ}\text{C}$; $C_L = 20 \text{ pF}$; input slew = 1 ns . Simulated parameters sampled at the 30 % and 70 % level of the rising or falling edge; values guaranteed by design. Delays introduced by the external trace or external device are not considered.

| Symbol | Parameter | Conditions | Min | Max | Unit |
|-------------------|------------------------|--|-----|-----|------|
| SPI master | | | | | |
| t_{DS} | data set-up time | $1.8 \text{ V} \leq V_{DD} \leq 3.6 \text{ V}$ | 2 | - | ns |
| t_{DH} | data hold time | $1.8 \text{ V} \leq V_{DD} \leq 3.6 \text{ V}$ | 6 | - | ns |
| $t_{v(Q)}$ | data output valid time | $1.8 \text{ V} \leq V_{DD} \leq 3.6 \text{ V}$ | -3 | 4 | ns |
| SPI slave | | | | | |
| t_{DS} | data set-up time | $1.8 \text{ V} \leq V_{DD} \leq 3.6 \text{ V}$ | 2 | - | ns |
| t_{DH} | data hold time | $1.8 \text{ V} \leq V_{DD} \leq 3.6 \text{ V}$ | 4 | - | ns |
| $t_{v(Q)}$ | data output valid time | $3.0 \text{ V} \leq V_{DD} \leq 3.6 \text{ V}$ | 0 | 26 | ns |
| | | $1.8 \text{ V} \leq V_{DD} < 3.0 \text{ V}$ | 0 | 35 | ns |



aaa-014969

$T_{cy}(clk) = CCLK/DIVVAL$ with $CCLK =$ system clock frequency. $DIVVAL$ is the SPI clock divider. See the LPC82x *User manual*.

Fig 35. SPI master timing

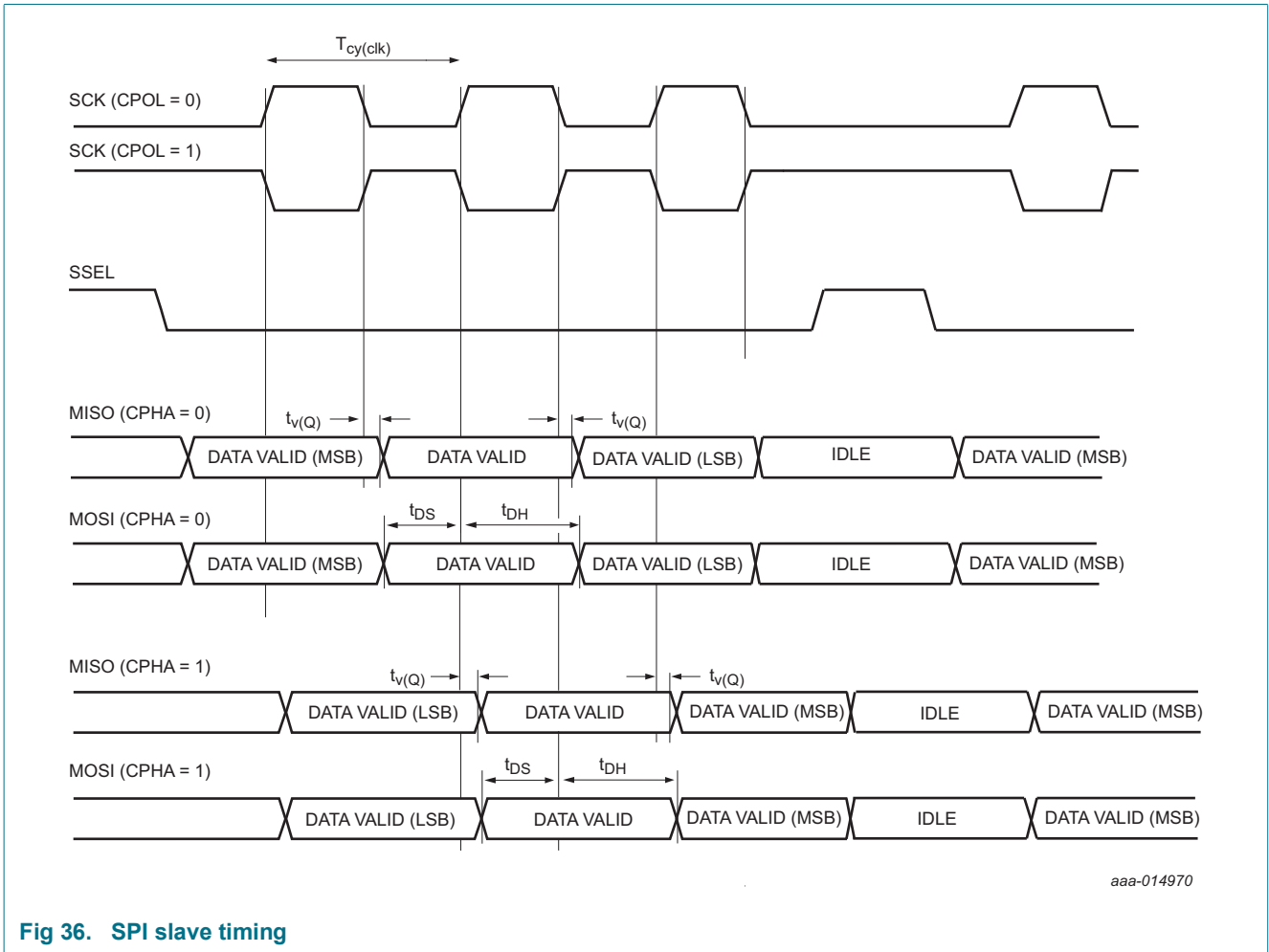


Fig 36. SPI slave timing

12.4.6 USART interface

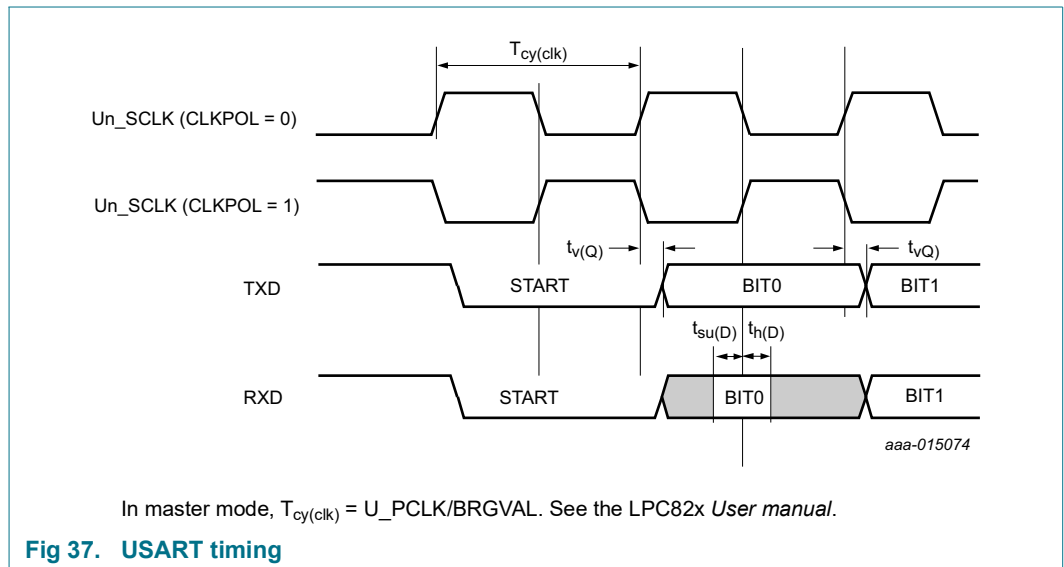
The maximum USART bit rate is 10 Mbit/s in synchronous mode master mode and 10 Mbit/s in synchronous slave mode.

Remark: USART functions can be assigned to all digital pins. The characteristics are valid for all digital pins except the open-drain pins PIO0_10 and PIO0_11.

Table 21. USART dynamic characteristics

$T_{amb} = -40\text{ }^{\circ}\text{C}$ to $105\text{ }^{\circ}\text{C}$; $1.8\text{ V} \leq V_{DD} \leq 3.6\text{ V}$ unless noted otherwise; $C_L = 10\text{ pF}$; input slew = 10 ns . Simulated parameters sampled at the 30%/70% level of the falling or rising edge; values guaranteed by design.

| Symbol | Parameter | Conditions | Min | Max | Unit |
|---|------------------------|--|-----|-----|------|
| USART master (in synchronous mode) | | | | | |
| $t_{su(D)}$ | data input set-up time | $3.0\text{ V} \leq V_{DD} \leq 3.6\text{ V}$ | 31 | - | ns |
| | | $1.8\text{ V} \leq V_{DD} < 3.0\text{ V}$ | 37 | | |
| $t_{h(D)}$ | data input hold time | | 0 | - | ns |
| $t_{v(Q)}$ | data output valid time | | 0 | 5 | ns |
| USART slave (in synchronous mode) | | | | | |
| $t_{su(D)}$ | data input set-up time | | 6 | - | ns |
| $t_{h(D)}$ | data input hold time | | 2 | - | ns |
| $t_{v(Q)}$ | data output valid time | $3.0\text{ V} \leq V_{DD} \leq 3.6\text{ V}$ | 0 | 28 | ns |
| | | $1.8\text{ V} \leq V_{DD} < 3.0\text{ V}$ | 0 | 37 | ns |



13. Characteristics of analog peripherals

13.1 BOD

Table 22. BOD static characteristics^[1]

$T_{amb} = 25\text{ }^{\circ}\text{C}$.

| Symbol | Parameter | Conditions | Min | Typ | Max | Unit |
|-----------------|-------------------|-------------------|-----|------|-----|------|
| V _{th} | threshold voltage | interrupt level 1 | | | | |
| | | assertion | - | 2.25 | - | V |
| | | de-assertion | - | 2.40 | - | V |
| | | interrupt level 2 | | | | |
| | | assertion | - | 2.54 | - | V |
| | | de-assertion | - | 2.68 | - | V |
| | | interrupt level 3 | | | | |
| | | assertion | - | 2.85 | - | V |
| | | de-assertion | - | 2.95 | - | V |
| | | reset level 1 | | | | |
| | | assertion | - | 2.05 | - | V |
| | | de-assertion | - | 2.20 | - | V |
| | | reset level 2 | | | | |
| | | assertion | - | 2.34 | - | V |
| | | de-assertion | - | 2.49 | - | V |
| | | reset level 3 | | | | |
| | | assertion | - | 2.63 | - | V |
| | | de-assertion | - | 2.78 | - | V |

[1] Interrupt levels are selected by writing the level value to the BOD control register BODCTRL, see *the LPC82x user manual*. Interrupt level 0 is reserved.

13.2 ADC

Table 23. 12-bit ADC static characteristics

$T_{amb} = -40\text{ }^{\circ}\text{C}$ to $+105\text{ }^{\circ}\text{C}$ unless noted otherwise; $V_{DD} = 2.4\text{ V}$ to 3.6 V ; $V_{REFP} = V_{DD}$; $V_{REFN} = V_{SS}$.

| Symbol | Parameter | Conditions | Min | Typ | Max | Unit |
|----------------|------------------------------|---|----------------|---------|----------|------------|
| V_{IA} | analog input voltage | | 0 | - | V_{DD} | V |
| V_{ref} | reference voltage | on pin VREFP | 2.4 | - | V_{DD} | V |
| C_{ia} | analog input capacitance | | - | - | 0.32 | pF |
| $f_{clk(ADC)}$ | ADC clock frequency | $2.7\text{ V} \leq V_{DD} \leq 3.6\text{ V}$ | [2] | - | 30 | MHz |
| | | $2.4\text{ V} \leq V_{DD} < 2.7\text{ V}$ | [3] | - | 25 | MHz |
| f_s | sampling frequency | $2.7\text{ V} \leq V_{DD} \leq 3.6\text{ V}$ | [2] | - | 1.2 | Msamples/s |
| | | $2.4\text{ V} \leq V_{DD} < 2.7\text{ V}$ | [3] | - | 1 | Msamples/s |
| E_D | differential linearity error | $T_{amb} = 105\text{ }^{\circ}\text{C}$ | [5][4] | +/- 2.5 | - | LSB |
| $E_{L(adj)}$ | integral non-linearity | $T_{amb} = 105\text{ }^{\circ}\text{C}$ | [6][4] | +/- 2.5 | - | LSB |
| E_O | offset error | $T_{amb} = 105\text{ }^{\circ}\text{C}$ | [7][4] | +/- 4.5 | - | LSB |
| $V_{err(fs)}$ | full-scale error voltage | 1.2 Msamples/s; $T_{amb} = 105\text{ }^{\circ}\text{C}$ | [8][4] | +/- 0.5 | - | % |
| Z_i | input impedance | $f_s = 1.2\text{ Msamples/s}$ | [1][9] [10] | 0.1 | - | $M\Omega$ |

- [1] The input resistance of ADC channel 0 is higher than for all other channels. See [Figure 38](#).
- [2] In the ADC TRM register, set VRANGE = 0 (default).
- [3] In the ADC TRM register, set VRANGE = 1 (default).
- [4] Based on characterization. Not tested in production.
- [5] The differential linearity error (E_D) is the difference between the actual step width and the ideal step width. See [Figure 39](#).
- [6] The integral non-linearity ($E_{L(adj)}$) is the peak difference between the center of the steps of the actual and the ideal transfer curve after appropriate adjustment of gain and offset errors. See [Figure 39](#).
- [7] The offset error (E_O) is the absolute difference between the straight line which fits the actual curve and the straight line which fits the ideal curve. See [Figure 39](#).
- [8] The full-scale error voltage or gain error (E_G) is the difference between the straight line fitting the actual transfer curve after removing offset error, and the straight line which fits the ideal transfer curve. See [Figure 39](#).
- [9] $T_{amb} = 25\text{ }^{\circ}\text{C}$; maximum sampling frequency $f_s = 1.2\text{ Msamples/s}$ and analog input capacitance $C_{ia} = 0.1\text{ pF}$.
- [10] Input impedance Z_i is inversely proportional to the sampling frequency and the total input capacity including C_{ia} and C_{io} : $Z_i \propto 1 / (f_s \times C_i)$. See [Table 7](#) for C_{io} .

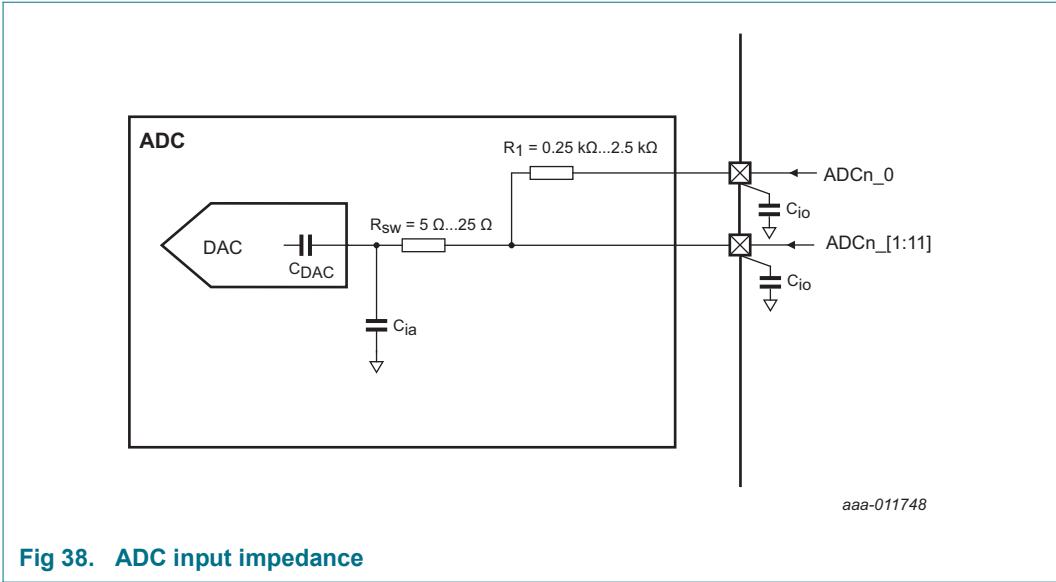
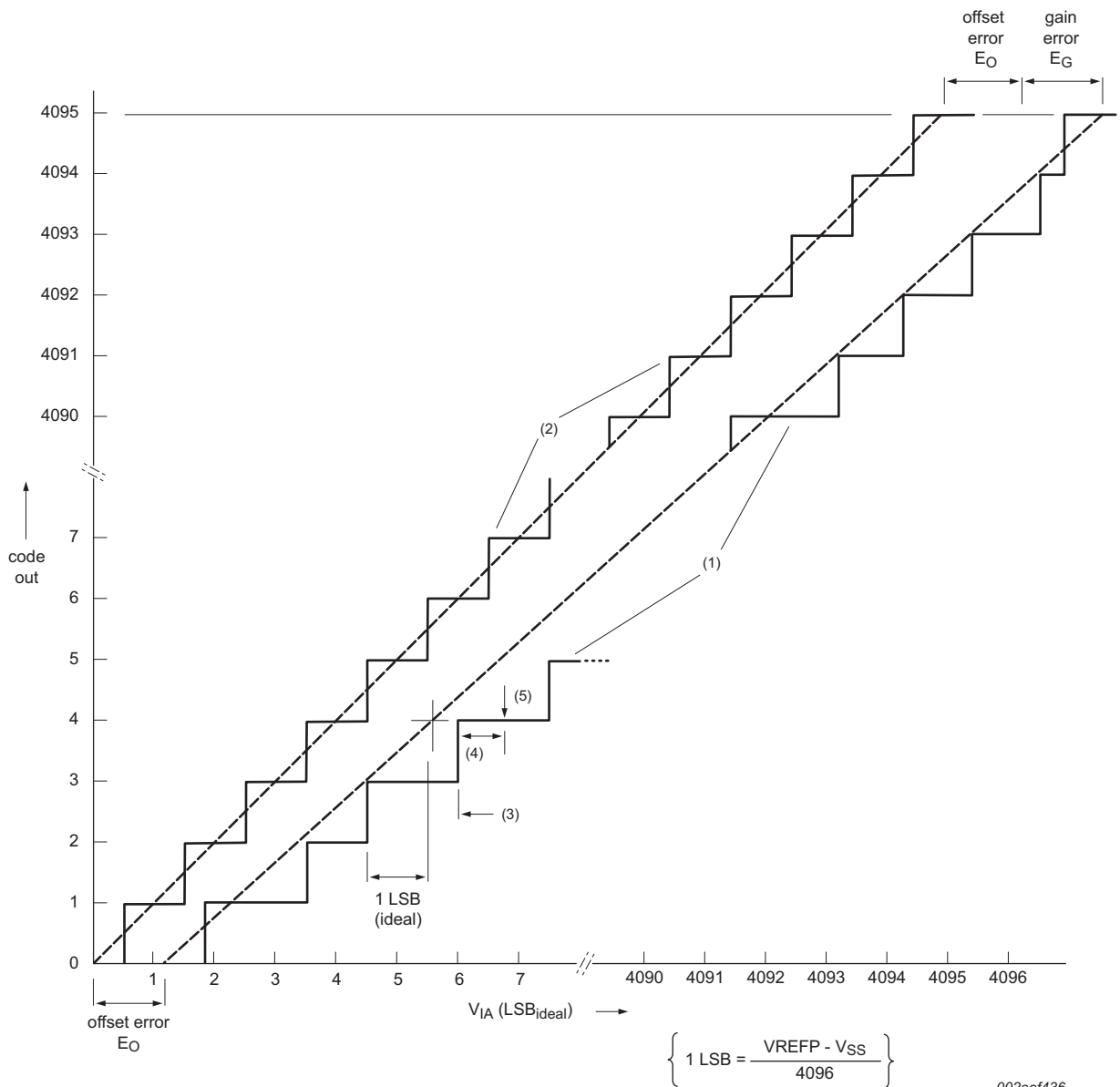


Fig 38. ADC input impedance



- (1) Example of an actual transfer curve.
- (2) The ideal transfer curve.
- (3) Differential linearity error (E_D).
- (4) Integral non-linearity ($E_{L(adj)}$).
- (5) Center of a step of the actual transfer curve.

Fig 39. 12-bit ADC characteristics

13.3 Comparator and internal voltage reference

Table 24. Internal voltage reference static and dynamic characteristics

$T_{amb} = -40\text{ }^{\circ}\text{C}$ to $+105\text{ }^{\circ}\text{C}$; $V_{DD} = 3.3\text{ V}$; hysteresis disabled in the comparator CTRL register.

| Symbol | Parameter | Conditions | Min | Typ | Max | Unit |
|--------|----------------|---|-----|-----|-----|------|
| V_O | output voltage | $T_{amb} = 25\text{ }^{\circ}\text{C}$ to $105\text{ }^{\circ}\text{C}$ | 860 | - | 940 | mV |
| | | $T_{amb} = 25\text{ }^{\circ}\text{C}$ | | 904 | | mV |

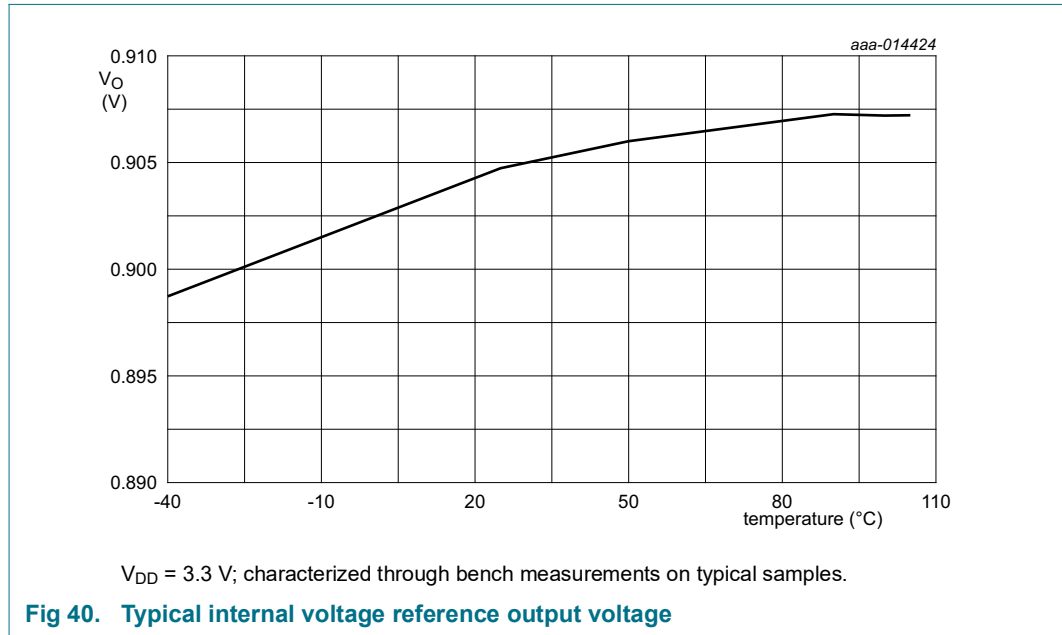


Table 25. Comparator characteristics

$T_{amb} = -40\text{ }^{\circ}\text{C}$ to $+105\text{ }^{\circ}\text{C}$ unless noted otherwise; $V_{DD} = 1.8\text{ V}$ to 3.6 V .

| Symbol | Parameter | Conditions | Min | Typ | Max | Unit |
|--------------------------------|------------------------------|---|-----|-------|----------|---------------|
| Static characteristics | | | | | | |
| $V_{ref(cmp)}$ | comparator reference voltage | pin PIO0_6/VDDCMP configured for function VDDCMP | 1.5 | - | 3.6 | V |
| I_{DD} | supply current | $V_P > V_M$; $T_{amb} = 25\text{ }^{\circ}\text{C}$; $V_{DD} = 3.3\text{ V}$ | [2] | 90 | - | μA |
| | | $V_M > V_P$; $T_{amb} = 25\text{ }^{\circ}\text{C}$; $V_{DD} = 3.3\text{ V}$ | [2] | 60 | - | μA |
| V_{IC} | common-mode input voltage | | 0 | - | V_{DD} | V |
| DV_O | output voltage variation | | 0 | - | V_{DD} | V |
| V_{offset} | offset voltage | $V_{IC} = 0.1\text{ V}$; $V_{DD} = 2.4\text{ V}$; $T_{amb} = 105\text{ }^{\circ}\text{C}$ | [2] | +/- 4 | - | mV |
| | | $V_{IC} = 1.5\text{ V}$; $V_{DD} = 2.4\text{ V}$; $T_{amb} = 105\text{ }^{\circ}\text{C}$ | [2] | +/- 2 | - | mV |
| | | $V_{IC} = 2.9\text{ V}$; $V_{DD} = 2.4\text{ V}$; $T_{amb} = 105\text{ }^{\circ}\text{C}$ | [2] | +/- 4 | - | mV |
| Dynamic characteristics | | | | | | |
| $t_{startup}$ | start-up time | nominal process; $V_{DD} = 3.3\text{ V}$; $T_{amb} = 25\text{ }^{\circ}\text{C}$ | - | 13 | - | μs |

Table 25. Comparator characteristics ...continued

$T_{amb} = -40\text{ }^{\circ}\text{C}$ to $+105\text{ }^{\circ}\text{C}$ unless noted otherwise; $V_{DD} = 1.8\text{ V}$ to 3.6 V .

| Symbol | Parameter | Conditions | Min | Typ | Max | Unit | |
|-----------|--------------------|---|-----------|-----|-----|-----------|----|
| t_{PD} | propagation delay | HIGH to LOW; $V_{DD} = 3.0\text{ V}$; $T_{amb} = 105\text{ }^{\circ}\text{C}$ $V_{IC} = 0.1\text{ V}$; 100 mV overdrive input | [1][2][4] | - | 140 | - | ns |
| | | $V_{IC} = 0.1\text{ V}$; rail-to-rail input | [1][2] | - | 190 | - | ns |
| | | $V_{IC} = 1.5\text{ V}$; 100 mV overdrive input | [1][2][4] | - | 130 | - | ns |
| | | $V_{IC} = 1.5\text{ V}$; rail-to-rail input | [1][2] | - | 120 | - | ns |
| | | $V_{IC} = 2.9\text{ V}$; 100 mV overdrive input | [1][2][4] | - | 220 | - | ns |
| | | $V_{IC} = 2.9\text{ V}$; rail-to-rail input | [1][2] | - | 80 | - | ns |
| t_{PD} | propagation delay | LOW to HIGH; $V_{DD} = 3.0\text{ V}$; $T_{amb} = 105\text{ }^{\circ}\text{C}$ $V_{IC} = 0.1\text{ V}$; 100 mV overdrive input | [1][2][4] | - | 240 | - | ns |
| | | $V_{IC} = 0.1\text{ V}$; rail-to-rail input | [1][2] | - | 60 | - | ns |
| | | $V_{IC} = 1.5\text{ V}$; 100 mV overdrive input | [1][2][4] | - | 160 | - | ns |
| | | $V_{IC} = 1.5\text{ V}$; rail-to-rail input | [1][2] | - | 150 | - | ns |
| | | $V_{IC} = 2.9\text{ V}$; 100 mV overdrive input | [1][2][4] | - | 150 | - | ns |
| | | $V_{IC} = 2.9\text{ V}$; rail-to-rail input | [1][2] | - | 260 | - | ns |
| V_{hys} | hysteresis voltage | positive hysteresis; $V_{DD} = 3.0\text{ V}$; $V_{IC} = 1.5\text{ V}$; $T_{amb} = 105\text{ }^{\circ}\text{C}$; settings: 5 mV | [3] | - | 6 | - | mV |
| | | 10 mV | - | 11 | - | mV | |
| | | 20 mV | - | 23 | - | mV | |
| V_{hys} | hysteresis voltage | negative hysteresis; $V_{DD} = 3.0\text{ V}$; $V_{IC} = 1.5\text{ V}$; $T_{amb} = 105\text{ }^{\circ}\text{C}$; settings: 5 mV | [1][3] | - | 10 | - | mV |
| | | 10 mV | - | 15 | - | mV | |
| | | 20 mV | - | 27 | - | mV | |
| R_{lad} | ladder resistance | - | - | 1 | - | $M\Omega$ | |

[1] $C_L = 10\text{ pF}$

[2] Characterized on typical samples, not tested in production.

[3] Input hysteresis is relative to the reference input channel and is software programmable.

[4] 100 mV overdrive corresponds to a square wave from 50 mV below the reference (V_{IC}) to 50 mV above the reference.

Table 26. Comparator voltage ladder dynamic characteristics

$T_{amb} = -40\text{ }^{\circ}\text{C}$ to $+105\text{ }^{\circ}\text{C}$; $V_{DD} = 1.8\text{ V}$ to 3.6 V .

| Symbol | Parameter | Conditions | Min | Typ | Max | Unit |
|-------------|-------------------------|---------------------------------------|-----|-----|-----|---------------|
| $t_{s(pu)}$ | power-up settling time | to 99% of voltage ladder output value | [1] | - | 17 | μs |
| $t_{s(sw)}$ | switching settling time | to 99% of voltage ladder output value | [1] | - | 18 | μs |

[1] Characterized on typical samples, not tested in production.

Table 27. Comparator voltage ladder reference static characteristics $V_{DD} = 1.8\text{ V to }3.6\text{ V}$. $T_{amb} = -40\text{ }^{\circ}\text{C to }+105\text{ }^{\circ}\text{C}$; external or internal reference.

| Symbol | Parameter | Conditions | Min | Typ ^[1] | Max | Unit | |
|------------|----------------------|-------------------|-----|--------------------|-------|------|----|
| $E_{V(O)}$ | output voltage error | decimal code = 00 | [2] | - | +/- 6 | - | mV |
| | | decimal code = 08 | | - | +/- 1 | - | % |
| | | decimal code = 16 | | - | +/- 1 | - | % |
| | | decimal code = 24 | | - | +/- 1 | - | % |
| | | decimal code = 30 | | - | +/- 1 | - | % |
| | | decimal code = 31 | | - | +/- 1 | - | % |

[1] Characterized through limited samples. Not tested in production.

[2] All peripherals except comparator, temperature sensor, and IRC turned off.

14. Application information

14.1 XTAL input

The input voltage to the on-chip oscillators is limited to 1.8 V. If the oscillator is driven by a clock in slave mode, it is recommended to couple the input through a capacitor with $C_i = 100$ pF. To limit the input voltage to the specified range, choose an additional capacitor to ground C_g which attenuates the input voltage by a factor $C_i/(C_i + C_g)$. In slave mode, a minimum of 200 mV(RMS) is needed.

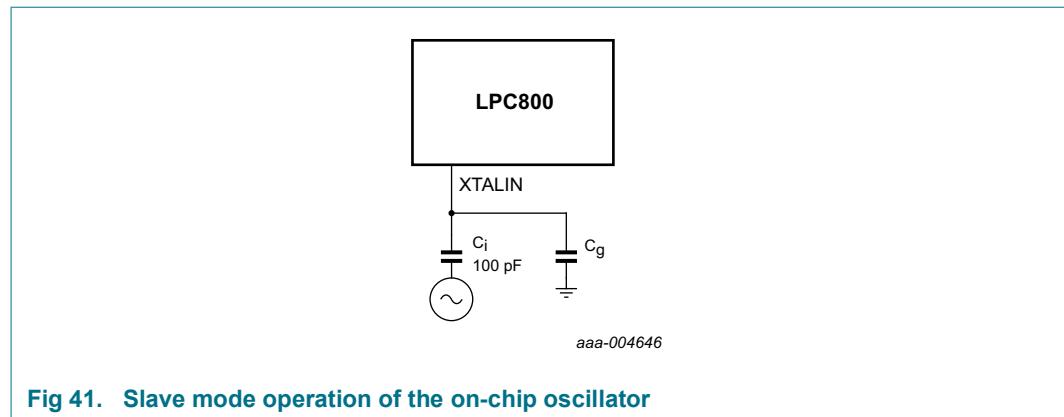


Fig 41. Slave mode operation of the on-chip oscillator

In slave mode the input clock signal should be coupled with a capacitor of 100 pF (Figure 41), with an amplitude between 200 mV (RMS) and 1000 mV (RMS). This corresponds to a square wave signal with a signal swing of between 280 mV and 1.4 V. The XTALOUT pin in this configuration can be left unconnected.

External components and models used in oscillation mode are shown in Figure 42 and in Table 28 and Table 29. Since the feedback resistance is integrated on chip, only a crystal and the capacitances C_{X1} and C_{X2} must be connected externally in case of fundamental mode oscillation (the fundamental frequency is represented by L , C_L and R_S). Capacitance C_P in Figure 42 represents the parallel package capacitance and should not be larger than 7 pF. Parameters F_{OSC} , C_L , R_S and C_P are supplied by the crystal manufacturer (see Table 28).

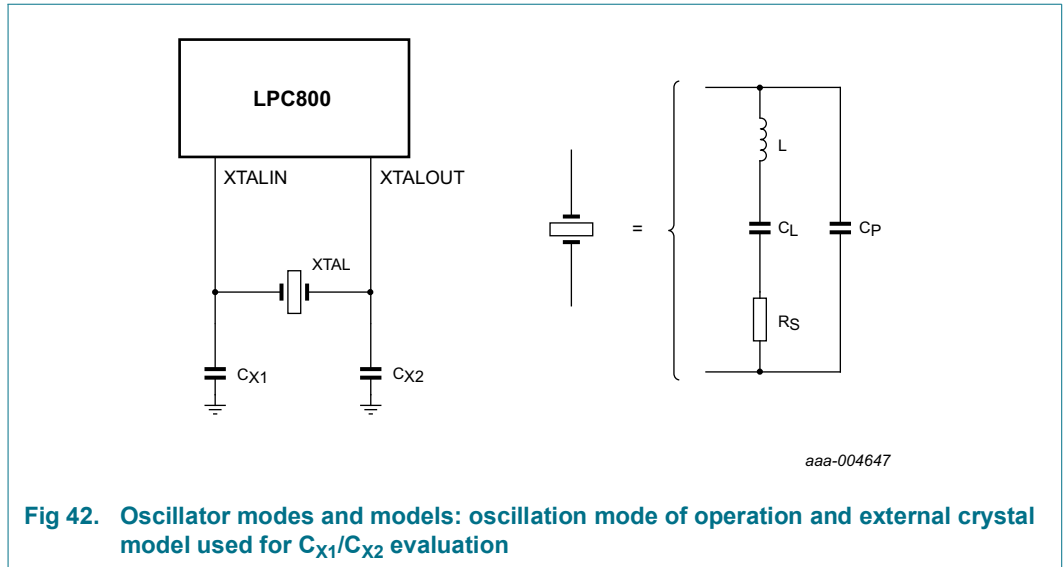


Fig 42. Oscillator modes and models: oscillation mode of operation and external crystal model used for C_{X1}/C_{X2} evaluation

Table 28. Recommended values for C_{X1}/C_{X2} in oscillation mode (crystal and external components parameters) low frequency mode

| Fundamental oscillation frequency F_{Osc} | Crystal load capacitance C_L | Maximum crystal series resistance R_S | External load capacitors C_{X1}, C_{X2} |
|---|--------------------------------|---|---|
| 1 MHz to 5 MHz | 10 pF | < 300 Ω | 18 pF, 18 pF |
| | 20 pF | < 300 Ω | 39 pF, 39 pF |
| | 30 pF | < 300 Ω | 57 pF, 57 pF |
| 5 MHz to 10 MHz | 10 pF | < 300 Ω | 18 pF, 18 pF |
| | 20 pF | < 200 Ω | 39 pF, 39 pF |
| | 30 pF | < 100 Ω | 57 pF, 57 pF |
| 10 MHz to 15 MHz | 10 pF | < 160 Ω | 18 pF, 18 pF |
| | 20 pF | < 60 Ω | 39 pF, 39 pF |
| 15 MHz to 20 MHz | 10 pF | < 80 Ω | 18 pF, 18 pF |

Table 29. Recommended values for C_{X1}/C_{X2} in oscillation mode (crystal and external components parameters) high frequency mode

| Fundamental oscillation frequency F_{Osc} | Crystal load capacitance C_L | Maximum crystal series resistance R_S | External load capacitors C_{X1}, C_{X2} |
|---|--------------------------------|---|---|
| 15 MHz to 20 MHz | 10 pF | < 180 Ω | 18 pF, 18 pF |
| | 20 pF | < 100 Ω | 39 pF, 39 pF |
| 20 MHz to 25 MHz | 10 pF | < 160 Ω | 18 pF, 18 pF |
| | 20 pF | < 80 Ω | 39 pF, 39 pF |

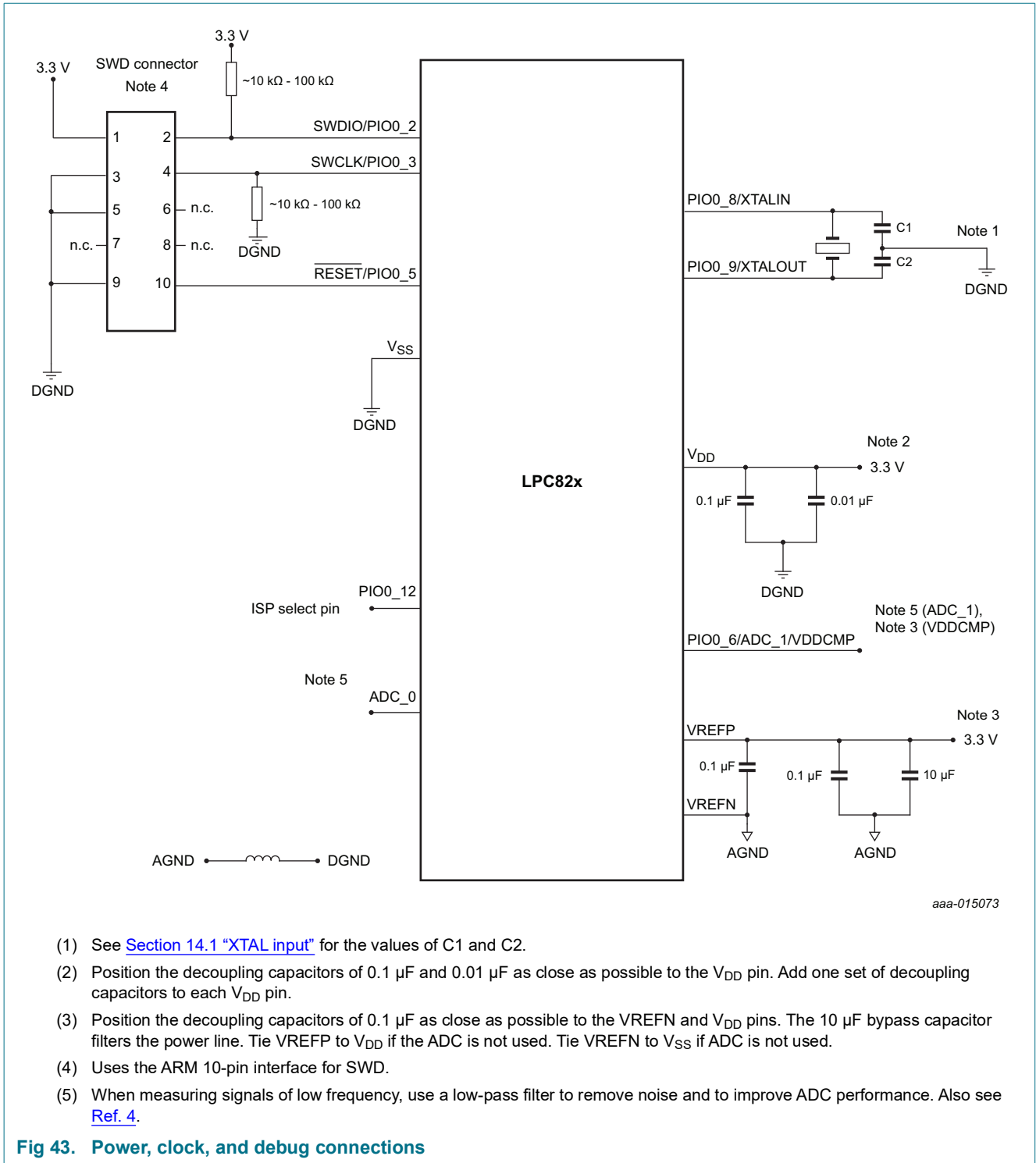
14.2 XTAL Printed-Circuit Board (PCB) layout guidelines

The crystal should be connected on the PCB as close as possible to the oscillator input and output pins of the chip. Take care that the load capacitors C_{X1}, C_{X2} , and C_{X3} in case of third overtone crystal usage have a common ground plane. The external components must also be connected to the ground plain. Loops must be made as small as possible in

order to keep the noise coupled in via the PCB as small as possible. Also parasitics should stay as small as possible. Values of C_{x1} and C_{x2} should be chosen smaller according to the increase in parasitics of the PCB layout.

14.3 Connecting power, clocks, and debug functions

[Figure 43](#) shows the basic board connections used to power the LPC82x, connect the external crystal, and provide debug capabilities via the serial wire port.



14.4 Termination of unused pins

Table 30 shows how to terminate pins that are **not** used in the application. In many cases, unused pins may should be connected externally or configured correctly by software to minimize the overall power consumption of the part.

Unused pins with GPIO function should be configured as outputs set to LOW with their internal pull-up disabled. To configure a GPIO pin as output and drive it LOW, select the GPIO function in the IOCON register, select output in the GPIO DIR register, and write a 0 to the GPIO PORT register for that pin. Disable the pull-up in the pin's IOCON register.

In addition, it is recommended to configure all GPIO pins that are not bonded out on smaller packages as outputs driven LOW with their internal pull-up disabled.

Table 30. Termination of unused pins

| Pin | Default state ^[1] | Recommended termination of unused pins |
|-----------------------------|------------------------------|---|
| RESET/PIO0_5 | I; PU | In an application that does not use the RESET pin or its GPIO function, the termination of this pin depends on whether Deep power-down mode is used: <ul style="list-style-type: none"> • Deep power-down used: Connect an external pull-up resistor and keep pin in default state (input, pull-up enabled) during all other power modes. • Deep power-down not used and no external pull-up connected: can be left unconnected if internal pull-up is disabled and pin is driven LOW and configured as output by software. |
| all PION_m (not open-drain) | I; PU | Can be left unconnected if driven LOW and configured as GPIO output with pull-up disabled by software. |
| PION_m (I2C open-drain) | IA | Can be left unconnected if driven LOW and configured as GPIO output by software. |
| VREFP | - | Tie to VDD. |
| VREFN | - | Tie to VSS. |

[1] I = Input, O = Output, IA = Inactive (no pull-up/pull-down enabled), F = floating, PU = Pull-Up.

14.5 Pin states in different power modes

Table 31. Pin states in different power modes

| Pin | Active | Sleep | Deep-sleep/Power-down | Deep power-down |
|--|--|-------|-----------------------|---|
| PION_m pins (not I2C) | As configured in the IOCON ^[1] . Default: internal pull-up enabled. | | | Floating. |
| PIO0_4, PIO0_5 (open-drain I2C-bus pins) | As configured in the IOCON ^[1] . | | | Floating. |
| RESET | Reset function enabled. Default: input, internal pull-up enabled. | | | Reset function disabled; floating; if the part is in deep power-down mode, the RESET pin needs an external pull-up to reduce power consumption. |
| PIO0_16/ WAKEUP | As configured in the IOCON ^[1] . WAKEUP function inactive. | | | Wake-up function enabled; can be disabled by software. |

[1] Default and programmed pin states are retained in sleep, deep-sleep, and power-down modes.

15. Package outline

TSSOP20: plastic thin shrink small outline package; 20 leads; body width 4.4 mm

SOT360-1

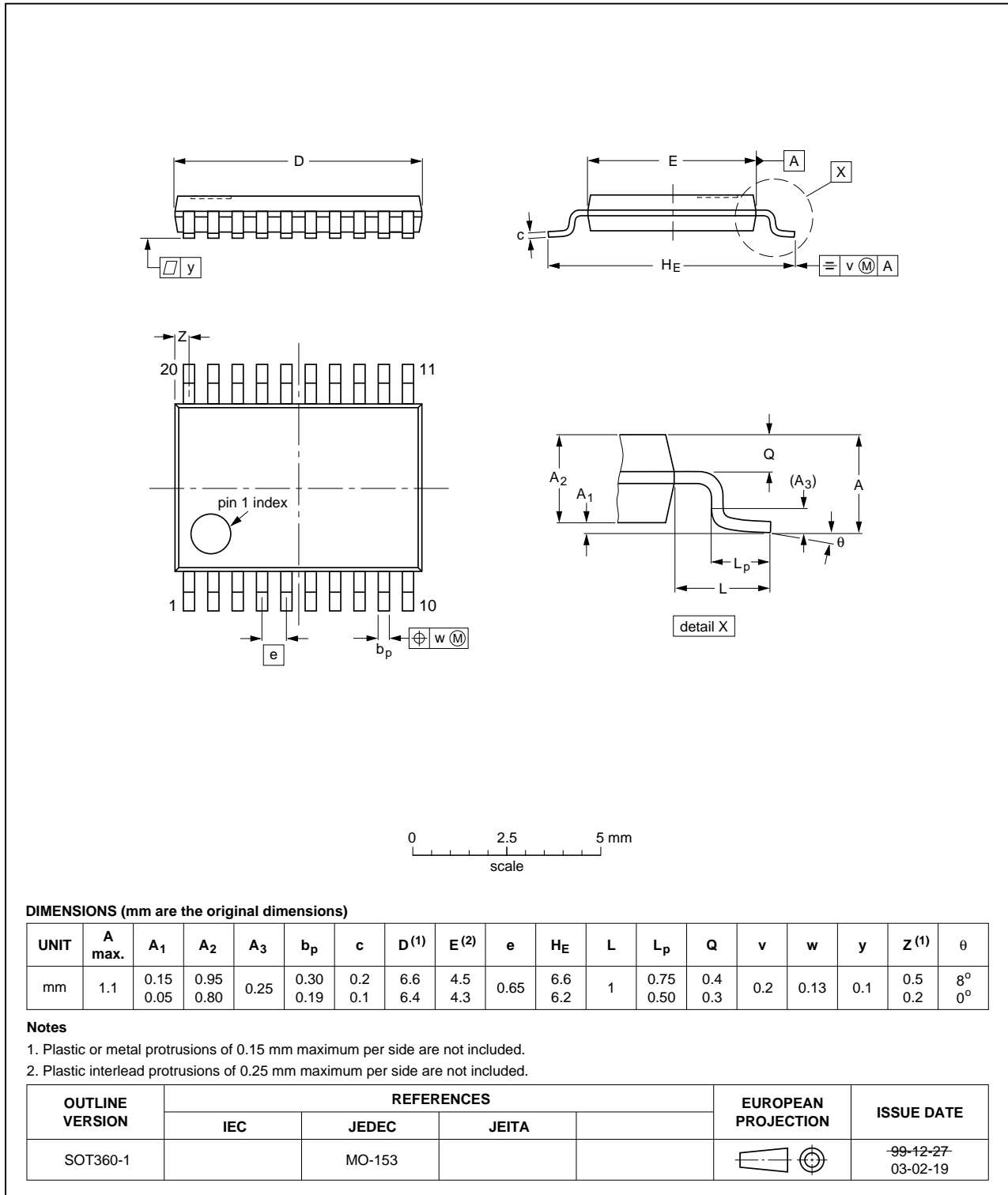


Fig 44. Package outline SOT360-1 (TSSOP20)

**HVQFN33: plastic thermal enhanced very thin quad flat package; no leads;
32 terminals; body 5 x 5 x 0.85 mm**

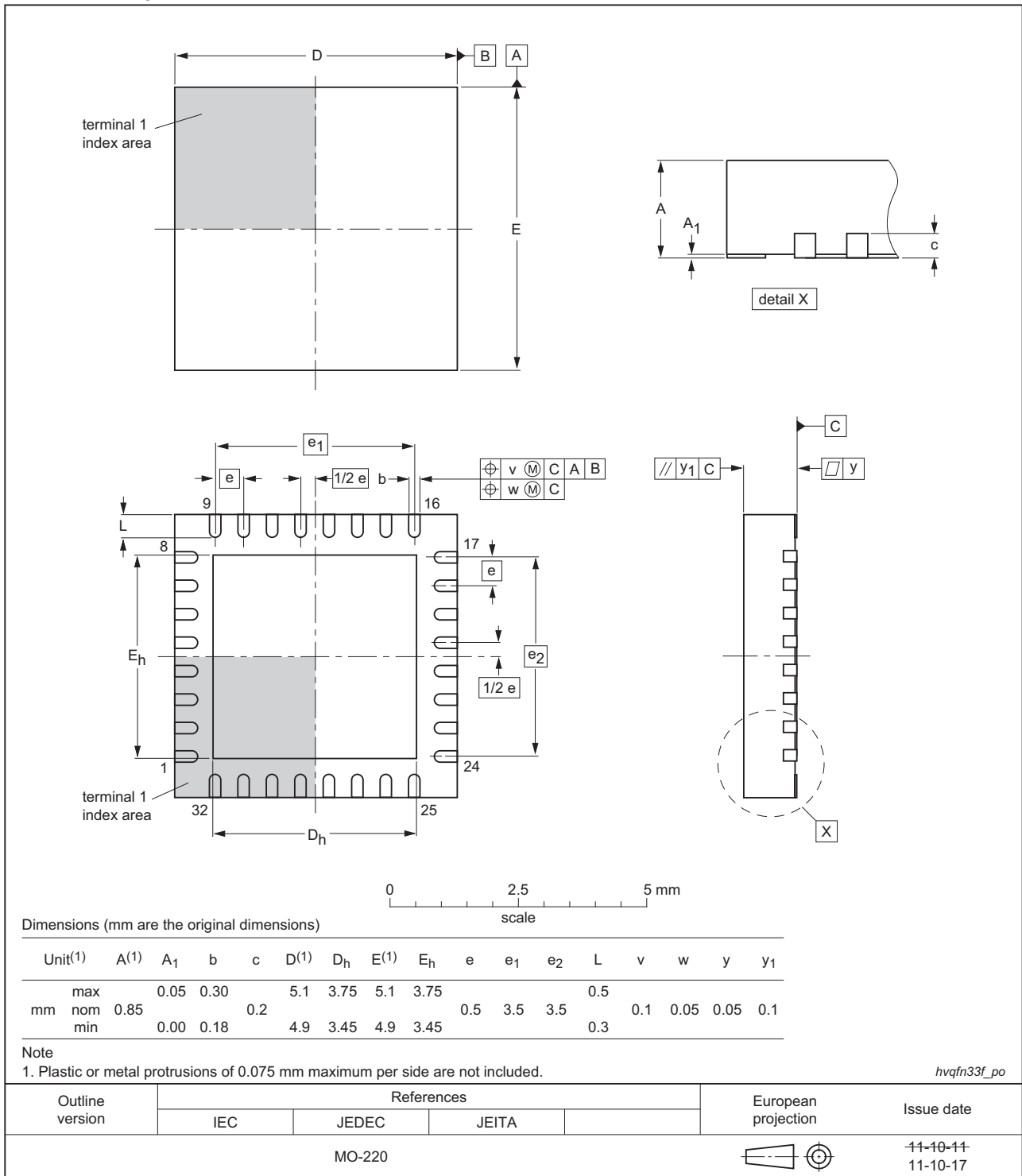


Fig 45. Package outline (HVQFN33 5x5)

16. Soldering

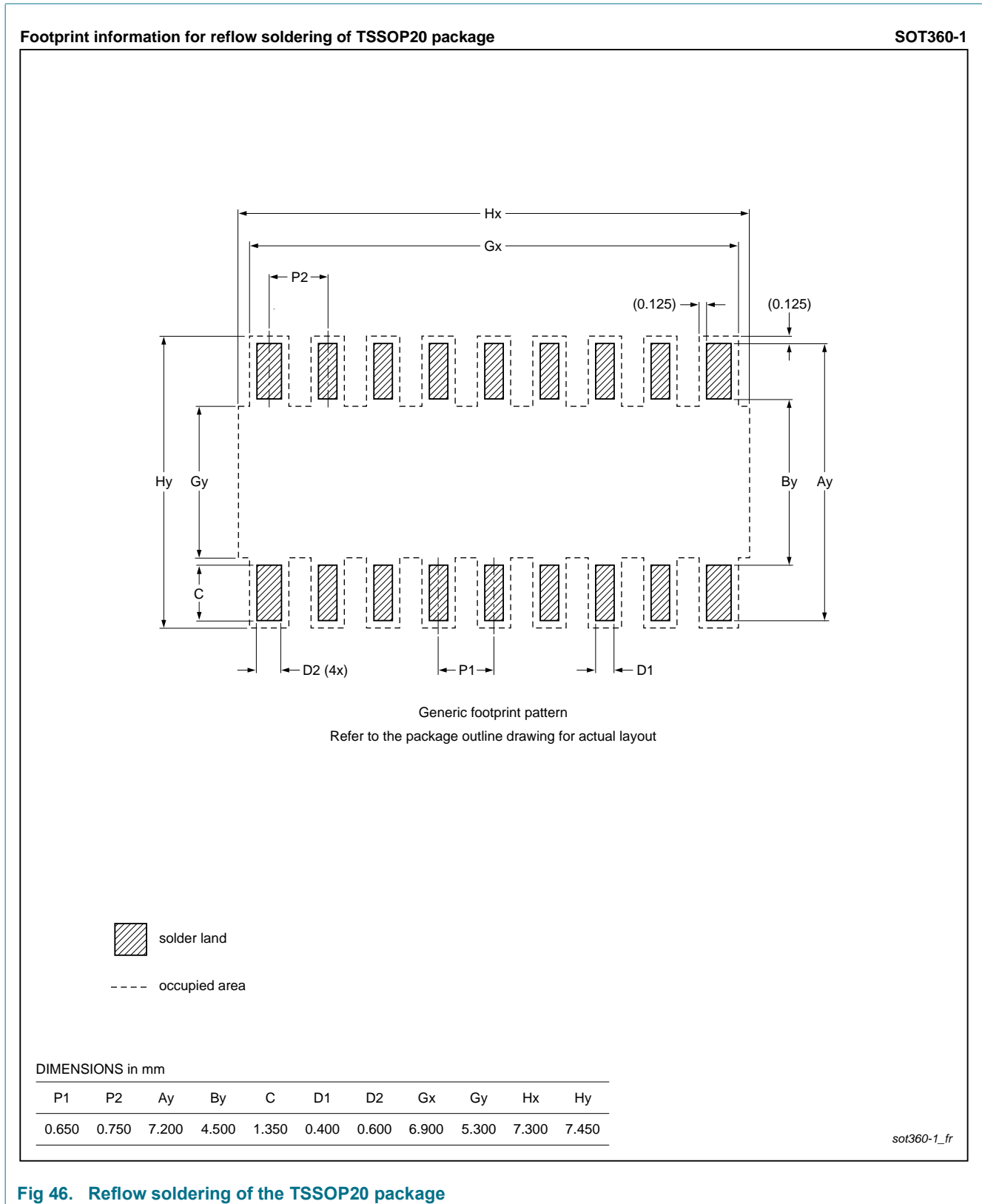
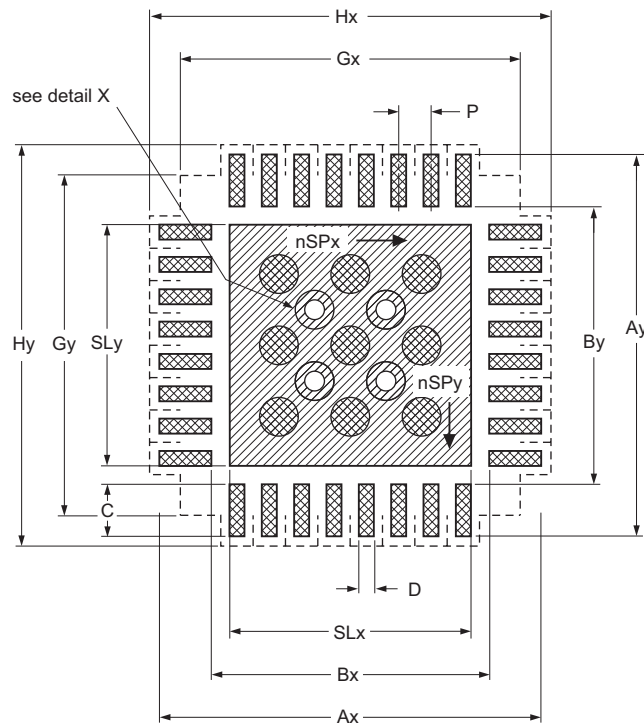


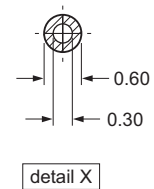


Fig 46. Reflow soldering of the TSSOP20 package

Footprint information for reflow soldering of HVQFN33 package



-  solder land
-  solder paste
- occupied area



Dimensions in mm

| P | Ax | Ay | Bx | By | C | D | Gx | Gy | Hx | Hy | SLx | SLy | nSPx | nSPy |
|-----|------|------|------|------|------|------|------|------|-----|-----|------|------|------|------|
| 0.5 | 5.95 | 5.95 | 4.25 | 4.25 | 0.85 | 0.27 | 5.25 | 5.25 | 6.2 | 6.2 | 3.75 | 3.75 | 3 | 3 |

Issue date ~~11-11-15~~
11-11-20

002aag766

Fig 47. Reflow soldering of the HVQFN33 package (5x5)

17. Abbreviations

Table 32. Abbreviations

| Acronym | Description |
|---------|---|
| AHB | Advanced High-performance Bus |
| APB | Advanced Peripheral Bus |
| BOD | BrownOut Detection |
| GPIO | General-Purpose Input/Output |
| PLL | Phase-Locked Loop |
| RC | Resistor-Capacitor |
| SPI | Serial Peripheral Interface |
| SMBus | System Management Bus |
| TEM | Transverse ElectroMagnetic |
| UART | Universal Asynchronous Receiver/Transmitter |

18. References

- [1] LPC82x User manual UM10800:
http://www.nxp.com/documents/user_manual/UM10800.pdf
- [2] LPC82x Errata sheet: http://www.nxp.com/documents/errata_sheet/ES_LPC82X.pdf
- [3] I2C-bus specification *UM10204*.
- [4] Technical note ADC design guidelines:
http://www.nxp.com/documents/technical_note/TN00009.pdf

19. Revision history

Table 33. Revision history

| Document ID | Release date | Data sheet status | Change notice | Supersedes |
|----------------|--|--------------------|---------------|--------------|
| LPC82X v.1.5 | 20230207 | Product data sheet | - | LPC82X v.1.4 |
| Modifications: | In Section 5 "Marking" Updated from "yywwxR" to "yywwxR or zyywwxR". | | | |
| LPC82X v.1.4 | 20210319 | Product data sheet | - | LPC82X v.1.3 |
| Modifications: | Updated footnotes for Table 23 . | | | |
| | Updated Table 9 , For Vi input voltage tolerant pin is changed to PIO0_6 instead of PIO0_12. | | | |
| | Updated Table 11 , Condition changed for rise time spec. | | | |
| LPC82X v.1.3 | 20180404 | Product data sheet | 201804004I | LPC82X v.1.2 |
| Modifications: | <ul style="list-style-type: none"> Updated table note 2 of Section 12.1 "Power-up ramp conditions". | | | |
| LPC82X v.1.2 | 20161003 | Product data sheet | - | LPC82X v.1.1 |
| Modifications: | <ul style="list-style-type: none"> Added text to Table 4 "Movable functions (assign to pins PIO0_0 to PIO0_28 through switch matrix)": <ul style="list-style-type: none"> SPI0_SSEL1 - Slave select 1 for SPI0. SPI0_SSEL2 - Slave select 2 for SPI0. SPI0_SSEL3 - Slave select 3 for SPI0. Changed the cross reference in the remark of Section 12.3 "External clock for the oscillator in slave mode" to Table 7 "General operating conditions". Updated table note section 2 in Table 5 "Limiting values" to make the reference to Table 7 "General operating conditions". | | | |
| LPC82X v.1.1 | 20160602 | Product data sheet | - | LPC82X v.1 |
| Modifications: | <ul style="list-style-type: none"> Updated Power, clock, and debug connections diagram. See Figure 43. Changed PIO0_13 to PIO0_16 in High-drive output pin configured as digital pin (PIO0_2, PIO0_3, PIO0_12, PIO0_16). See Table 9 "Static characteristics, electrical pin characteristics". Changed the table header of Table 10 "Power consumption for individual analog and digital blocks" from main clock to system clock. Added Section 12.1 "Power-up ramp conditions". Removed BOD reset level 0 specifications in Table 22 "BOD static characteristics[1]". | | | |
| LPC82X v.1 | 20141001 | Product data sheet | - | - |

20. Legal information

20.1 Data sheet status

| Document status ^{[1][2]} | Product status ^[3] | Definition |
|-----------------------------------|-------------------------------|---|
| Objective [short] data sheet | Development | This document contains data from the objective specification for product development. |
| Preliminary [short] data sheet | Qualification | This document contains data from the preliminary specification. |
| Product [short] data sheet | Production | This document contains the product specification. |

[1] Please consult the most recently issued document before initiating or completing a design.

[2] The term 'short data sheet' is explained in section "Definitions".

[3] The product status of device(s) described in this document may have changed since this document was published and may differ in case of multiple devices. The latest product status information is available on the Internet at URL <http://www.nxp.com>.

20.2 Definitions

Draft — The document is a draft version only. The content is still under internal review and subject to formal approval, which may result in modifications or additions. NXP Semiconductors does not give any representations or warranties as to the accuracy or completeness of information included herein and shall have no liability for the consequences of use of such information.

Short data sheet — A short data sheet is an extract from a full data sheet with the same product type number(s) and title. A short data sheet is intended for quick reference only and should not be relied upon to contain detailed and full information. For detailed and full information see the relevant full data sheet, which is available on request via the local NXP Semiconductors sales office. In case of any inconsistency or conflict with the short data sheet, the full data sheet shall prevail.

Product specification — The information and data provided in a Product data sheet shall define the specification of the product as agreed between NXP Semiconductors and its customer, unless NXP Semiconductors and customer have explicitly agreed otherwise in writing. In no event however, shall an agreement be valid in which the NXP Semiconductors product is deemed to offer functions and qualities beyond those described in the Product data sheet.

20.3 Disclaimers

Limited warranty and liability — Information in this document is believed to be accurate and reliable. However, NXP Semiconductors does not give any representations or warranties, expressed or implied, as to the accuracy or completeness of such information and shall have no liability for the consequences of use of such information. NXP Semiconductors takes no responsibility for the content in this document if provided by an information source outside of NXP Semiconductors.

In no event shall NXP Semiconductors be liable for any indirect, incidental, punitive, special or consequential damages (including - without limitation - lost profits, lost savings, business interruption, costs related to the removal or replacement of any products or rework charges) whether or not such damages are based on tort (including negligence), warranty, breach of contract or any other legal theory.

Notwithstanding any damages that customer might incur for any reason whatsoever, NXP Semiconductors' aggregate and cumulative liability towards customer for the products described herein shall be limited in accordance with the *Terms and conditions of commercial sale* of NXP Semiconductors.

Right to make changes — NXP Semiconductors reserves the right to make changes to information published in this document, including without limitation specifications and product descriptions, at any time and without notice. This document supersedes and replaces all information supplied prior to the publication hereof.

Suitability for use — NXP Semiconductors products are not designed, authorized or warranted to be suitable for use in life support, life-critical or safety-critical systems or equipment, nor in applications where failure or malfunction of an NXP Semiconductors product can reasonably be expected to result in personal injury, death or severe property or environmental damage. NXP Semiconductors and its suppliers accept no liability for inclusion and/or use of NXP Semiconductors products in such equipment or applications and therefore such inclusion and/or use is at the customer's own risk.

Applications — Applications that are described herein for any of these products are for illustrative purposes only. NXP Semiconductors makes no representation or warranty that such applications will be suitable for the specified use without further testing or modification.

Customers are responsible for the design and operation of their applications and products using NXP Semiconductors products, and NXP Semiconductors accepts no liability for any assistance with applications or customer product design. It is customer's sole responsibility to determine whether the NXP Semiconductors product is suitable and fit for the customer's applications and products planned, as well as for the planned application and use of customer's third party customer(s). Customers should provide appropriate design and operating safeguards to minimize the risks associated with their applications and products.

NXP Semiconductors does not accept any liability related to any default, damage, costs or problem which is based on any weakness or default in the customer's applications or products, or the application or use by customer's third party customer(s). Customer is responsible for doing all necessary testing for the customer's applications and products using NXP Semiconductors products in order to avoid a default of the applications and the products or of the application or use by customer's third party customer(s). NXP does not accept any liability in this respect.

Limiting values — Stress above one or more limiting values (as defined in the Absolute Maximum Ratings System of IEC 60134) will cause permanent damage to the device. Limiting values are stress ratings only and (proper) operation of the device at these or any other conditions above those given in the Recommended operating conditions section (if present) or the Characteristics sections of this document is not warranted. Constant or repeated exposure to limiting values will permanently and irreversibly affect the quality and reliability of the device.

Terms and conditions of commercial sale — NXP Semiconductors products are sold subject to the general terms and conditions of commercial sale, as published at <http://www.nxp.com/profile/terms>, unless otherwise agreed in a valid written individual agreement. In case an individual agreement is concluded only the terms and conditions of the respective agreement shall apply. NXP Semiconductors hereby expressly objects to applying the customer's general terms and conditions with regard to the purchase of NXP Semiconductors products by customer.

No offer to sell or license — Nothing in this document may be interpreted or construed as an offer to sell products that is open for acceptance or the grant, conveyance or implication of any license under any copyrights, patents or other industrial or intellectual property rights.

Export control — This document as well as the item(s) described herein may be subject to export control regulations. Export might require a prior authorization from competent authorities.

Non-automotive qualified products — Unless this data sheet expressly states that this specific NXP Semiconductors product is automotive qualified, the product is not suitable for automotive use. It is neither qualified nor tested in accordance with automotive testing or application requirements. NXP Semiconductors accepts no liability for inclusion and/or use of non-automotive qualified products in automotive equipment or applications.

In the event that customer uses the product for design-in and use in automotive applications to automotive specifications and standards, customer (a) shall use the product without NXP Semiconductors' warranty of the product for such automotive applications, use and specifications, and (b)

whenever customer uses the product for automotive applications beyond NXP Semiconductors' specifications such use shall be solely at customer's own risk, and (c) customer fully indemnifies NXP Semiconductors for any liability, damages or failed product claims resulting from customer design and use of the product for automotive applications beyond NXP Semiconductors' standard warranty and NXP Semiconductors' product specifications.

20.4 Trademarks

Notice: All referenced brands, product names, service names and trademarks are the property of their respective owners.

I²C-bus — logo is a trademark of NXP B.V.

21. Contact information

For more information, please visit: <http://www.nxp.com>

For sales office addresses, please send an email to: salesaddresses@nxp.com

22. Contents

| | | | | | |
|----------|---|-----------|-----------|--|-----------|
| 1 | General description | 1 | 8.20.1 | Features | 22 |
| 2 | Features and benefits | 1 | 8.21 | Analog-to-Digital Converter (ADC) | 23 |
| 3 | Applications | 3 | 8.21.1 | Features | 23 |
| 4 | Ordering information | 3 | 8.22 | Clocking and power control | 24 |
| 4.1 | Ordering options | 3 | 8.22.1 | Crystal and internal oscillators | 24 |
| 5 | Marking | 4 | 8.22.1.1 | Internal RC Oscillator (IRC) | 25 |
| 6 | Block diagram | 5 | 8.22.1.2 | Crystal Oscillator (SysOsc) | 25 |
| 7 | Pinning information | 6 | 8.22.1.3 | Internal Low-power Oscillator and Watchdog Oscillator (WDOsc) | 25 |
| 7.1 | Pinning | 6 | 8.22.2 | Clock input | 25 |
| 7.2 | Pin description | 7 | 8.22.3 | System PLL | 25 |
| 8 | Functional description | 12 | 8.22.4 | Clock output | 26 |
| 8.1 | ARM Cortex-M0+ core | 12 | 8.22.5 | Wake-up process | 26 |
| 8.2 | On-chip flash program memory | 12 | 8.22.6 | Power control | 26 |
| 8.3 | On-chip SRAM | 12 | 8.22.6.1 | Power profiles | 26 |
| 8.4 | On-chip ROM | 12 | 8.22.6.2 | Sleep mode | 26 |
| 8.5 | Memory map | 12 | 8.22.6.3 | Deep-sleep mode | 27 |
| 8.6 | Nested Vectored Interrupt Controller (NVIC) | 13 | 8.22.6.4 | Power-down mode | 27 |
| 8.6.1 | Features | 13 | 8.22.6.5 | Deep power-down mode | 27 |
| 8.6.2 | Interrupt sources | 14 | 8.23 | System control | 28 |
| 8.7 | System tick timer | 14 | 8.23.1 | Reset | 28 |
| 8.8 | I/O configuration | 14 | 8.23.2 | Brownout detection | 28 |
| 8.8.1 | Standard I/O pad configuration | 14 | 8.23.3 | Code security (Code Read Protection - CRP) | 29 |
| 8.9 | Switch Matrix (SWM) | 15 | 8.23.4 | APB interface | 29 |
| 8.10 | Fast General-Purpose parallel I/O (GPIO) | 16 | 8.23.5 | AHBLite | 29 |
| 8.10.1 | Features | 16 | 8.24 | Emulation and debugging | 30 |
| 8.11 | Pin interrupt/pattern match engine | 16 | 9 | Limiting values | 31 |
| 8.11.1 | Features | 16 | 10 | Thermal characteristics | 32 |
| 8.12 | DMA controller | 17 | 11 | Static characteristics | 33 |
| 8.12.1 | Features | 17 | 11.1 | General operating conditions | 33 |
| 8.12.2 | DMA trigger input MUX (TRIGMUX) | 17 | 11.2 | Supply pins | 34 |
| 8.13 | USART0/1/2 | 17 | 11.3 | Electrical pin characteristics | 36 |
| 8.13.1 | Features | 17 | 11.4 | Power consumption | 39 |
| 8.14 | SPI0/1 | 18 | 11.5 | CoreMark data | 45 |
| 8.14.1 | Features | 18 | 11.6 | Peripheral power consumption | 46 |
| 8.15 | I2C-bus interface (I2C0/1/2/3) | 18 | 11.7 | Electrical pin characteristics | 47 |
| 8.15.1 | Features | 19 | 12 | Dynamic characteristics | 51 |
| 8.16 | SCTimer/PWM | 19 | 12.1 | Power-up ramp conditions | 51 |
| 8.16.1 | Features | 19 | 12.2 | Flash/EEPROM memory | 51 |
| 8.16.2 | SCTimer/PWM input MUX (INPUT MUX) | 20 | 12.3 | External clock for the oscillator in slave mode | 52 |
| 8.17 | Multi-Rate Timer (MRT) | 21 | 12.4 | Internal oscillators | 53 |
| 8.17.1 | Features | 21 | 12.4.1 | I/O pins | 54 |
| 8.18 | Windowed WatchDog Timer (WWDT) | 21 | 12.4.2 | WKTCLKIN pin (wake-up clock input) | 54 |
| 8.18.1 | Features | 21 | 12.4.3 | SCTimer/PWM output timing | 54 |
| 8.19 | Self-Wake-up Timer (WKT) | 21 | 12.4.4 | I ² C-bus | 54 |
| 8.19.1 | Features | 21 | 12.4.5 | SPI interfaces | 57 |
| 8.20 | Analog comparator (ACMP) | 22 | 12.4.6 | USART interface | 60 |

continued >>

| | | |
|-----------|---|-----------|
| 13 | Characteristics of analog peripherals | 61 |
| 13.1 | BOD | 61 |
| 13.2 | ADC | 62 |
| 13.3 | Comparator and internal voltage reference . . | 65 |
| 14 | Application information. | 68 |
| 14.1 | XTAL input | 68 |
| 14.2 | XTAL Printed-Circuit Board (PCB) layout guidelines | 69 |
| 14.3 | Connecting power, clocks, and debug functions | 70 |
| 14.4 | Termination of unused pins | 71 |
| 14.5 | Pin states in different power modes | 72 |
| 15 | Package outline | 73 |
| 16 | Soldering | 75 |
| 17 | Abbreviations. | 77 |
| 18 | References | 77 |
| 19 | Revision history. | 78 |
| 20 | Legal information. | 79 |
| 20.1 | Data sheet status | 79 |
| 20.2 | Definitions | 79 |
| 20.3 | Disclaimers | 79 |
| 20.4 | Trademarks. | 80 |
| 21 | Contact information. | 80 |
| 22 | Contents | 81 |

How To Reach Us

Home Page:

nxp.com

Web Support:

nxp.com/support

Limited warranty and liability — Information in this document is believed to be accurate and reliable. However, NXP Semiconductors does not give any representations or warranties, expressed or implied, as to the accuracy or completeness of such information and shall have no liability for the consequences of use of such information. NXP Semiconductors takes no responsibility for the content in this document if provided by an information source outside of NXP Semiconductors. In no event shall NXP Semiconductors be liable for any indirect, incidental, punitive, special or consequential damages (including - without limitation - lost profits, lost savings, business interruption, costs related to the removal or replacement of any products or rework charges) whether or not such damages are based on tort (including negligence), warranty, breach of contract or any other legal theory.

Notwithstanding any damages that customer might incur for any reason whatsoever, NXP Semiconductors' aggregate and cumulative liability towards customer for the products described herein shall be limited in accordance with the Terms and conditions of commercial sale of NXP Semiconductors.

Right to make changes - NXP Semiconductors reserves the right to make changes to information published in this document, including without limitation specifications and product descriptions, at any time and without notice. This document supersedes and replaces all information supplied prior to the publication hereof.

Security — Customer understands that all NXP products may be subject to unidentified or documented vulnerabilities. Customer is responsible for the design and operation of its applications and products throughout their lifecycles to reduce the effect of these vulnerabilities on customer's applications and products. Customer's responsibility also extends to other open and/or proprietary technologies supported by NXP products for use in customer's applications. NXP accepts no liability for any vulnerability. Customer should regularly check security updates from NXP and follow up appropriately.

Customer shall select products with security features that best meet rules, regulations, and standards of the intended application and make the ultimate design decisions regarding its products and is solely responsible for compliance with all legal, regulatory, and security related requirements concerning its products, regardless of any information or support that may be provided by NXP. NXP has a Product Security Incident Response Team (PSIRT) (reachable at PSIRT@nxp.com) that manages the investigation, reporting, and solution release to security vulnerabilities of NXP products.

Suitability for use — NXP Semiconductors products are not designed, authorized or warranted to be suitable for use in life support, life-critical or safety-critical systems or equipment, nor in applications where failure or malfunction of an NXP Semiconductors product can reasonably be expected to result in personal injury, death or severe property or environmental damage. NXP Semiconductors and its suppliers accept no liability for inclusion and/or use of NXP Semiconductors products in such equipment or applications and therefore such inclusion and/or use is at the customer's own risk.

Non-automotive qualified products — Unless this data sheet expressly states that this specific NXP Semiconductors product is automotive qualified, the product is not suitable for automotive use. It is neither qualified nor tested in accordance with automotive testing or application requirements. NXP Semiconductors accepts no liability for inclusion and/or use of non-automotive qualified products in automotive equipment or applications.

In the event that customer uses the product for design-in and use in automotive applications to automotive specifications and standards, customer (a) shall use the product without NXP Semiconductors' warranty of the product for such automotive applications, use and specifications, and (b) whenever customer uses the product for automotive applications beyond NXP Semiconductors' specifications such use shall be solely at customer's own risk, and (c) customer fully indemnifies NXP Semiconductors for any liability, damages or failed product claims resulting from customer design and use of the product for automotive applications beyond NXP Semiconductors' standard warranty and NXP Semiconductors' product specifications.

Applications — Applications that are described herein for any of these products are for illustrative purposes only. NXP Semiconductors makes no representation or warranty that such applications will be suitable for the specified use without further testing or modification.

Customers are responsible for the design and operation of their applications and products using NXP Semiconductors products, and NXP Semiconductors accepts no liability for any assistance with applications or customer product

Table continues on the next page...

design. It is customer's sole responsibility to determine whether the NXP Semiconductors product is suitable and fit for the customer's applications and products planned, as well as for the planned application and use of customer's third party customer(s). Customers should provide appropriate design and operating safeguards to minimize the risks associated with their applications and products.

NXP Semiconductors does not accept any liability related to any default, damage, costs or problem which is based on any weakness or default in the customer's applications or products, or the application or use by customer's third party customer(s). Customer is responsible for doing all necessary testing for the customer's applications and products using NXP Semiconductors products in order to avoid a default of the applications and the products or of the application or use by customer's third party customer(s). NXP does not accept any liability in this respect.

Limiting values — Stress above one or more limiting values (as defined in the Absolute Maximum Ratings System of IEC 60134) will cause permanent damage to the device. Limiting values are stress ratings only and (proper) operation of the device at these or any other conditions above those given in the Recommended operating conditions section (if present) or the Characteristics sections of this document is not warranted. Constant or repeated exposure to limiting values will permanently and irreversibly affect the quality and reliability of the device.

Terms and conditions of commercial sale — NXP Semiconductors products are sold subject to the general terms and conditions of commercial sale, as published at <http://www.nxp.com/profile/terms>, unless otherwise agreed in a valid written individual agreement. In case an individual agreement is concluded only the terms and conditions of the respective agreement shall apply. NXP Semiconductors hereby expressly objects to applying the customer's general terms and conditions with regard to the purchase of NXP Semiconductors products by customer.

No offer to sell or license — Nothing in this document may be interpreted or construed as an offer to sell products that is open for acceptance or the grant, conveyance or implication of any license under any copyrights, patents or other industrial or intellectual property rights.

Hazardous voltage — Although basic supply voltages of the product may be much lower, circuit voltages up to 60 V may appear when operating this product, depending on settings and application. Customers incorporating or otherwise using these products in applications where such high voltages may appear during operation, assembly, test etc. of such application, do so at their own risk. Customers agree to fully indemnify NXP Semiconductors for any damages resulting from or in connection with such high voltages. Furthermore, customers are drawn to safety standards (IEC 950, EN 60 950, CENELEC, ISO, etc.) and other (legal) requirements applying to such high voltages.

Bare die — All die are tested on compliance with their related technical specifications as stated in this data sheet up to the point of wafer sawing and are handled in accordance with the NXP Semiconductors storage and transportation conditions. If there are data sheet limits not guaranteed, these will be separately indicated in the data sheet. There are no post-packing tests performed on individual die or wafers.

NXP Semiconductors has no control of third party procedures in the sawing, handling, packing or assembly of the die. Accordingly, NXP Semiconductors assumes no liability for device functionality or performance of the die or systems after third party sawing, handling, packing or assembly of the die. It is the responsibility of the customer to test and qualify their application in which the die is used. All die sales are conditioned upon and subject to the customer entering into a written die sale agreement with NXP Semiconductors through its legal department.

Quick reference data — The Quick reference data is an extract of the product data given in the Limiting values and Characteristics sections of this document, and as such is not complete, exhaustive or legally binding.

Export control — This document as well as the item(s) described herein may be subject to export control regulations. Export might require a prior authorization from competent authorities.

NXP, the NXP logo, NXP SECURE CONNECTIONS FOR A SMARTER WORLD, GREENCHIP, HITAG, ICODE, JCOP, LIFE, VIBES, MIFARE, MIFARE CLASSIC, MIFARE DESFire, MIFARE PLUS, MIFARE FLEX, MANTIS, MIFARE ULTRALIGHT, MIFARE4MOBILE, MIGLO, NTAG, ROADLINK, SMARTLX, SMARTMX, STARPLUG, TOPFET, TRENCHMOS, UCODE, Freescale, the Freescale logo, AltiVec, CodeWarrior, ColdFire, ColdFire+, the Energy Efficient Solutions logo, Kinetis, Layerscape, MagniV, mobileGT, PEG, PowerQUICC, Processor Expert, QoriQ, QoriQ Qonverge, SafeAssure, the SafeAssure logo, StarCore, Symphony, VortiQa, Vybrid, BeeKit, BeeStack, CoreNet, Flexis, MXC, Platform in a Package, QUICC Engine, Tower, TurboLink, EdgeScale, EdgeLock, eIQ, and

Table continues on the next page...

Immersive3D are trademarks of NXP B.V. All other product or service names are the property of their respective owners. AMBA, Arm, Arm7, Arm7TDMI, Arm9, Arm11, Artisan, big.LITTLE, Cordio, CoreLink, CoreSight, Cortex, DesignStart, DynamIQ, Jazelle, Keil, Mali, Mbed, Mbed Enabled, NEON, POP, RealView, SecurCore, Socrates, Thumb, TrustZone, ULINK, ULINK2, ULINK-ME, ULINK-PLUS, ULINKpro, μ Vision, Versatile are trademarks or registered trademarks of Arm Limited (or its subsidiaries) in the US and/or elsewhere. The related technology may be protected by any or all of patents, copyrights, designs and trade secrets. All rights reserved. Oracle and Java are registered trademarks of Oracle and/or its affiliates. M, M Mobileye and other Mobileye trademarks or logos appearing herein are trademarks of Mobileye Vision Technologies Ltd. in the United States, the EU and/or other jurisdictions.

© NXP B.V. 2014-2023

All rights reserved.

For more information, please visit: <http://www.nxp.com>

For sales office addresses, please send an email to: salesaddresses@nxp.com

Date of release: 02/07/2023



Document identifier:

LPC82X



The logo for Arm, consisting of the lowercase letters 'arm' in a blue, sans-serif font.

Looking for pricing, stock, or lifecycle information?

Click below to explore more details on WIN SOURCE:

-  [View LPC824M201JDH20J on WIN SOURCE](#)
-  [NXP / Nexperia Information](#)

Optimize Your Supply Chain with WIN SOURCE Solutions

-  Global Sourcing Solution
-  Obsolete Management
-  Cost Control Management
-  Shortage Management
-  Alternative Solution
-  Excess Inventory Management