



**THE DATASHEET OF  
S6J328CKSPSE20000**





**Please note that Cypress is an Infineon Technologies Company.**

The document following this cover page is marked as “Cypress” document as this is the company that originally developed the product. Please note that Infineon will continue to offer the product to new and existing customers as part of the Infineon product portfolio.

**Continuity of document content**

The fact that Infineon offers the following product as part of the Infineon product portfolio does not lead to any changes to this document. Future revisions will occur when appropriate, and any changes will be set out on the document history page.

**Continuity of ordering part numbers**

Infineon continues to support existing part numbers. Please continue to use the ordering part numbers listed in the datasheet for ordering.

## 32-bit Microcontroller TRAVEO™ T1G Family

The TRAVEO™ T1G MCU S6J3200 family features 32-bit RISC microcontrollers with an Arm® Cortex®-R5 core and operates up to 240 MHz. This microcontroller comes with highly-efficient 2D/3D graphic engines with advanced feature-sets for memory saving, safety, and high image quality to help manufacturers take advantage of the lower overall system costs. It also meets the increasingly high levels of performance and quality that industrial, consumer, and automotive applications demand. In addition, this microcontroller offers support for the Cypress HyperBus™ memory interface, a breakthrough that dramatically improves read performance while reducing the number of pins. This microcontroller comes with Ethernet AVB, CAN-FD, a high-speed communication protocol compatible with the conventional CAN, and Secure Hardware Extension (SHE) as a security function.

### Features

#### ■ System

- 32-bit Arm Cortex-R5F CPU core at up to 240 MHz
- GPIO port: Up to 120
- 12-bit A/D converter: Up to 50 channels
- External interrupt: Up to 16 channels
- Base timer: Up to 24 channels
- 32-bit free-run timer: Up to 12 channels
- Built-in CR oscillators
- Real-time clock
- Input capture unit: Up to 24 channels
- Output compare unit: Up to 24 channels
- DMA controller: 16 channels
- Stepper motor controller (SMC): Six units
- JTAG debug interface

#### ■ Graphics and Display

- 2D graphic engine
- 3D graphic engine (optional)
- Timing generator - TCON
- TTL/RSDS
- FPD-Link – LVDS (optional)
- Video capture (optional)
- Communication: Ethernet AVB MAC (optional)
- CAN-FD: up to four channels
- Multi-function serial interface : up to 12 channels, selectable protocol: UART, CSIO, LIN, and I<sup>2</sup>C
- MediaLB: up to one channel (optional)

#### ■ Memory

- Cypress HyperBus Memory interface
- Dual quad double data rate SPI Flash Interface

#### ■ Multimedia

- I2S input/output: Up to two units
- PCM to PWM output unit
- Sound mixer (optional): 1 unit x 10 inputs (optional)
- Stereo audio DAC (optional)

#### ■ Security and Safety

- Secure Hardware Extension
- Safety features, such as MPU, TPU, ECC, and others
- CRC generator: One channel
- Watchdog timer with window function
- Low-voltage detector
- Clock supervisor for all source clocks

**Table of Contents**

**1. Overview ..... 3**  
    1.1 Document Definition ..... 3

**2. Function List ..... 4**  
    2.1 Function List ..... 4  
    2.2 Optional Function ..... 7

**3. Product Description ..... 15**  
    3.1 Overview ..... 15  
    3.2 Product Description ..... 15

**4. Package and Pin Assignment ..... 22**  
    4.1 Pin Assignment ..... 22  
    4.2 Package Dimensions ..... 39

**5. I/O Circuit Type ..... 44**  
    5.1 I/O Circuit Type ..... 44  
    5.2 Note ..... 51

**6. Port Description ..... 52**  
    6.1 Port Description List ..... 52  
    6.2 Remark ..... 70

**7. Precautions and Handling Devices ..... 70**  
    7.1 Handling Precautions ..... 70  
    7.2 Handling Devices ..... 73

**8. Electric Characteristics ..... 75**  
    8.1 Absolute Maximum Rating ..... 75  
    8.2 Operation Assurance Condition ..... 79  
    8.3 DC Characteristics ..... 84  
    8.4 AC Characteristics ..... 98  
    8.5 A/D Converter ..... 173  
    8.6 Audio DAC ..... 177  
    8.7 Flash Memory ..... 180

**9. Abbreviation ..... 181**

**10. Ordering Information ..... 183**

**11. Errata ..... 185**

**12. Appendix ..... 190**  
    12.1 Application 1: JTAG tool Connection ..... 190

**13. Major Changes ..... 191**  
    13.1 Supplementary Information ..... 191

**Document History ..... 214**

**Sales, Solutions, and Legal Information ..... 225**

## 1. Overview

### 1.1 Document Definition

Following are the related documents of S6J3200.

**Table 1-1**

| Document Type                        | Definition   | Primary User                       | Document Code  |
|--------------------------------------|--|------------------------------------|--|
| Datasheet                            | The function and its characteristics are specified quantitatively.                               | Investigator and hardware engineer | 002-05682 Revision<br>(Previous: DS708-00003-Revision)   |
| S6J3200 hardware manual              | The function and operation of the S6J3200 series are described.                                  | Software engineer                  | 002-04852 Revision   |
| TRAVEO™ T1G Platform hardware manual | The function and operation of the CPU core platform are described.                               | Software engineer                  | 002-04854 Revision   |
| Application note                     | The reference software, sample application, the reference board design, and so on are explained. | Software and hardware engineer     | 002-09861 Revision<br>002-09715 Revision<br>002-04455 Revision<br>002-04096 Revision<br>002-12061 Revision<br>002-04452 Revision<br>002-09716 Revision<br>002-11319 Revision<br>002-02495 Revision |

**Notes:**

- Refer to all documents for the system development.
- "Primary user" is most likely the engineer for whom the document is the most useful.
- The description of the datasheet and the S6J3200 hardware manual should precede the duplicated description of TRAVEO™ T1G platform hardware manual.
- The TRAVEO™ T1G platform hardware manual is expected to be used as a dictionary of platform specification.
- Document code usually includes its revision.
- Revised information from the previous revision can be seen the supplementary information.

## 2. Function List

### 2.1 Function List

The table shows the functions which are implemented in S6J3200 series.

**Table 2-1**

| Function   | Description  | Remark   |
|--|--|--|
| CPU core   | Arm Cortex R5F   |  |
| FPU  | Available<br>(Double precision and Single precision)     |  |
| PPU  | Available  |  |
| MPU  | Available  |  |
| TPU  | Available  |  |
| Endian   | Little endian  |  |
| Core clock frequency                                 | Option   | See 2.2.1 and AC specification on the datasheet. |
| HPM bus frequency                                    | Option   | See AC specification on the datasheet            |
| Resource clock frequency                             | Option   | See AC specification on the datasheet            |
| Embedded CR oscillation                              | Slow clock:100 kHz, Fast clock: 4 MHz (Center frequency) | See AC specification on the datasheet            |
| PLL  | PLL0, 1, 2, 3  |  |
| SSCG PLL   | SSCG0, 1, 2, 3   |  |
| Clock supervisor                                     | Available  |  |
| DMA  | 16 ch  |  |
| Boot-ROM   | 16 Kbytes  |  |
| JTAG   | Available  |  |
| Data cache   | 16 Kbytes  |  |
| Instruction cache                                    | 16 Kbytes  |  |
| Program FLASH  | Option   | See 2.2.1  |
| Work FLASH   | 112 Kbytes   |  |
| TC-RAM   | Option   | See 2.2.1  |
| System-RAM   | Option   | See 2.2.1  |
| Backup-RAM   | 16 Kbytes  |  |
| Security (SHE)                                       | Option   | See 2.2.1  |
| Low latency interrupt                                | Available  |  |
| Power domain   | 5 domains  |  |
| Power supply   | 5 V +/- 0.5 V, 3.3 V +/- 0.3 V, 1.2 V +/- 0.1 V          |  |
| Embedded LDO power supply for 5.0 V                  | Available  |  |
| Low-voltage detection of external power supply       | Available  |  |
| Low-voltage detection of internal LDO output         | Available  |  |
| Hardware watchdog timer                              | Available  |  |
| Software watchdog timer                              | Available  |  |
| Package  | Option   | See 2.2.1  |
| AUTOSAR  | AUTOSAR 4.0.3  |  |
| General Purpose I/O                                  | Option   | See 2.2.3  |
| Quad Position & Revolution Counter (Up/Down Counter) | 2 ch   |  |
| I/O timer  | 3 unit x 8 ch  |  |
| 32 bit Reload timer                                  | 14 ch  |  |
| Real time clock                                      | Available  | Automatic calibration                            |
| Sound generator                                      | 4 ch   |  |
| Sound waveform generator                             | Option<br>1 unit x 5 outputs                             | See 2.2.1  |

| Function                        | Description   | Remark   |
|---------------------------------|---|--|
| Sound mixer                     | Option<br>1 unit x 10 inputs  | See 2.2.1  |
| Stereo audio DAC                | Option<br>1 unit (L and R)  | See 2.2.1  |
| PCM-PWM                         | Option<br>1 unit (L and R)  | See 2.2.1  |
| Base timer                      | 12 units (24 ch)  |  |
| Free-run timer                  | 12 ch   |  |
| Input Capture Unit              | 12 unit (24channels of capture)   |  |
| Output Compare Unit             | 12unit (24 channels of compare match)                                     |  |
| Stepping motor controller (SMC) | For 6 gauges  |  |
| 12 bit-A/D converter            | Option<br>1 unit x 50 input ports (Max)                                   | See 2.2.3  |
| CRC                             | 4 unit  |  |
| Programmable CRC                | 1 unit  |  |
| Source clock timer              | 4 ch  |  |
| NMI                             | Available   |  |
| External interrupt              | 16 ch   |  |
| Internal interrupt              | 512 vectors   |  |
| I2S                             | 2 ch  | One only supports an output as a function of the sound system. |
| DDR HSSPI                       | 2 ch  | A type of Quad SPI   |
| HyperBus (RPC2)                 | Option  | See 2.2.1<br>See AC specification on the datasheet.            |
| Multi-function serial interface | 12 ch   |  |
| CAN-FD                          | 4 ch  |  |
| CAN-FD RAM (ECC supported)      | 16KB/ch<br>It equivalent to 128 message buffer per channel of CCAN module |  |
| Ethernet AVB                    | Option  | See 2.2.1  |
| Media-LB (MOST25)               | Option  | See 2.2.1  |
| LCD controller                  | Option<br>4 COM x 32 SEG (Max)  | See 2.2.3  |
| Indicator PWM                   | 1 ch  |  |
| MPU for AHB                     | 1 unit  |  |
| MPU for AXI                     | 1 unit  |  |
| Internal VRAM                   | Option  | See 2.2.1  |
| Graphic engine clock            | Option  | See 2.2.1  |
| Graphic AXI clock               | Option  | See 2.2.1  |
| Display clock                   | Option<br>64 MHz (ch.0), 50 MHz(ch.1)                                     | See 2.2.1  |
| Display clock source            | Graphic display controller clock or external clock                        |  |
| Target frame rate               | 60 fps  |  |
| Number of display outputs       | Option<br>Maximum 2 outputs simultaneously                                | See 2.2.1  |
| TTL output (RGB888)             | Option  | See 2.2.1  |
| RSDS/TCON support               | 1 output  |  |
| FPD-Link (LVDS)                 | Option<br>1 output, 350 Mbps (Max)  | See 2.2.1  |
| Video capture unit              | Option  | See 2.2.1  |
| Video capture format            | ITU656, YCbCr4:4:4, YCbCr4:2:2, RGB888, RGB666                            |  |
| 2D Graphic engine               | 1 unit  |  |
| 2.5D support                    | Available   |  |
| Vector drawing on 2D engine     | Available   |  |
| Warping                         | Available   |  |
| Scale/Rotate/Blend              | Available   |  |
| 2D Driver API                   | CYPRESS proprietary   |  |

| Function                    | Description | Remark                    |
|-----------------------------|-------------|---------------------------|
| 3D Graphic engine           | Option      | See <a href="#">2.2.1</a> |
| Vector drawing on 3D engine | Option      | See <a href="#">2.2.1</a> |
| 3D Driver API               | Option      | See <a href="#">2.2.1</a> |

**Notes:**

- *The options are described in [2.2](#).*
- *The described specifications in the table which are related the electric characteristics only show the typical values. They don't necessarily include the width of characteristics, errors, and so on. They should be seen in the datasheet in detailed.*
- *Target resolution of graphics is WVGA 800 x 480, WQVGA 480 x 272.*
- *Target capture resolution of graphics is WVGA 800 x 480.*

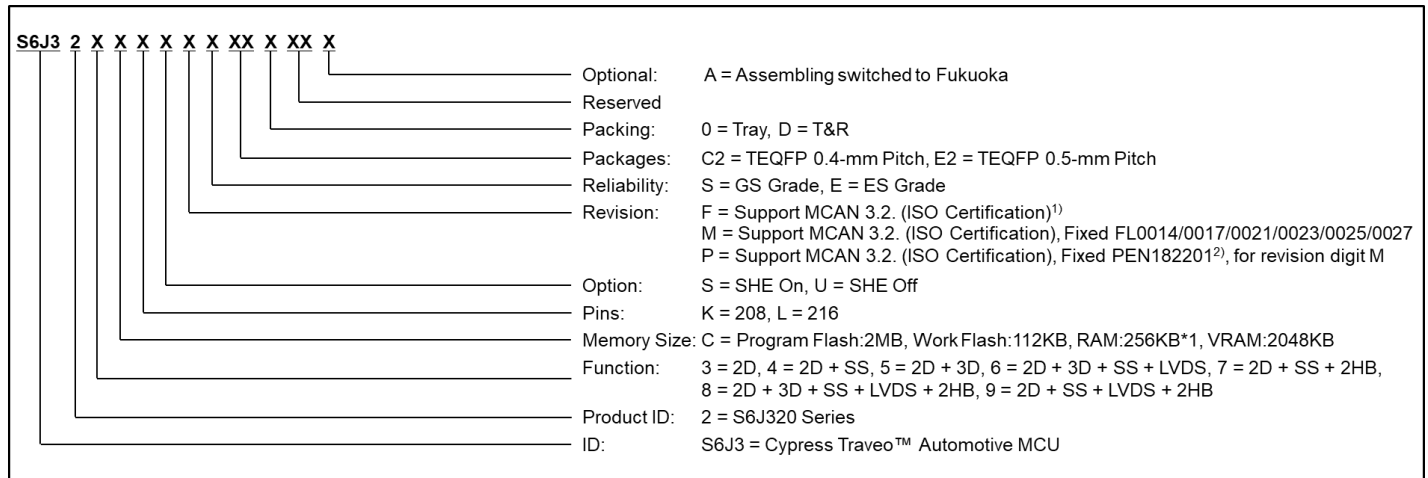
**2.2 Optional Function**

**2.2.1 Basic Option**

The following figure shows the optional function and the part number relations of the series.

**2.2.1.1 S6J320C**

**Figure 2-1: Option and Part Number for S6J320C**



\*1 TCRAM: 128 KB + System-RAM: 128 KB

- 1) Please contact your Cypress sales representative to receive the customer information CI708-0001
- 2) Please contact your Cypress sales representative to receive the product errata notification PEN182201

**Table 2-2: Function Digit Table**

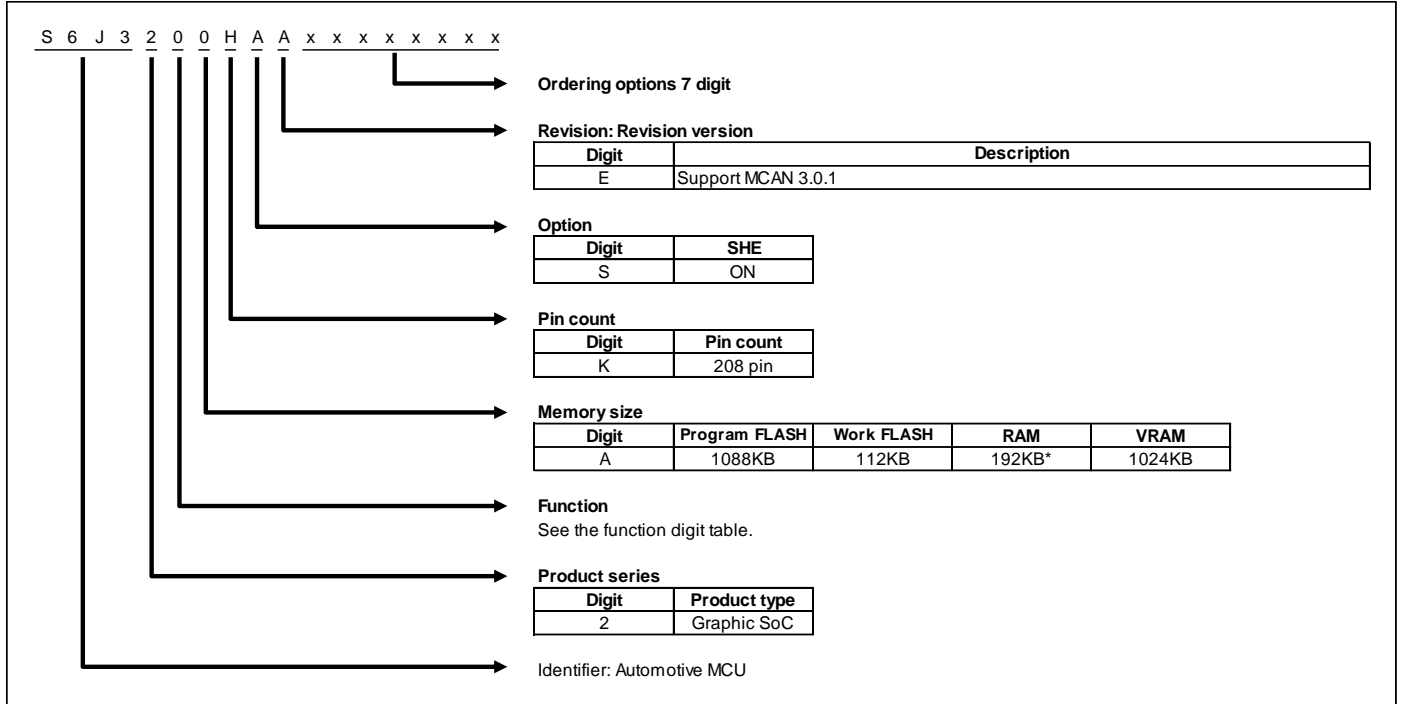
| Part Number               | S6J32X<br>(X = Function Digit) |                          |                          |                          |                          |                          |                          |
|---------------------------|--------------------------------|--------------------------|--------------------------|--------------------------|--------------------------|--------------------------|--------------------------|
|                           | 3                              | 4                        | 5                        | 6                        | 7                        | 8                        | 9                        |
| CPU Clock Maximum         | 240 MHz                        | 240 MHz                  | 240 MHz                  | 240 MHz                  | 240 MHz                  | 240 MHz                  | 240 MHz                  |
| Graphics Clock Maximum    | 200 MHz                        | 200 MHz                  | 200 MHz                  | 200 MHz                  | 200 MHz                  | 200 MHz                  | 200 MHz                  |
| Display Output Support    | ch.0, 1                        | ch.0, 1                  | ch.0, 1                  | ch.0, 1                  | ch.0, 1                  | ch.0, 1                  | ch.0, 1                  |
| Video Capture Support     | 1 unit                         | 1 unit                   | 1 unit                   | 1 unit                   | 1 unit                   | 1 unit                   | 1 unit                   |
| Graphic Engine Type       | 2D                             | 2D                       | 2D, 3D                   | 2D, 3D                   | 2D                       | 2D, 3D                   | 2D                       |
| HyperBus Interface        | ch.0, 1                        | ch.0, 1                  | ch.0, 1                  | ch.0, 1                  | ch.0, 1, 2               | ch.0, 1, 2               | ch.0, 1, 2               |
| Sound System              | N/A                            | YES                      | N/A                      | YES                      | YES                      | YES                      | YES                      |
| FPD-Link                  | N/A                            | N/A                      | N/A                      | YES                      | N/A                      | YES                      | YES                      |
| Media System              | YES                            | YES                      | YES                      | YES                      | YES                      | YES                      | YES                      |
| Chip Select Output of MFS | YES                            | YES                      | YES                      | YES                      | YES                      | YES                      | YES                      |
| I <sup>2</sup> C          | MFS ch.4, 10, 12, 16, 17       | MFS ch.4, 10, 12, 16, 17 | MFS ch.4, 10, 12, 16, 17 | MFS ch.4, 10, 12, 16, 17 | MFS ch.4, 10, 12, 16, 17 | MFS ch.4, 10, 12, 16, 17 | MFS ch.4, 10, 12, 16, 17 |

**Notes:**

- This table only shows the relation between the optional function and the part numbers. That is, all products are not necessarily available for orders. See the order number on the datasheet, and confirm actual availabilities of products.
- The sound system is composed of the sound waveform generator, the sound mixer, the audio DAC, PCM-PWM, and I2S0.
- The media system means both Ethernet AVB and Media LB.
- The CLK\_CPU is assigned for CPU clock. The CLK\_CD3A0 is assigned for Graphic clock. They are defined at the chapter of Clock Configuration.
- Display Output ch.0 is used for RSDS and FPD-LINK (LVDS) as well as DRGB (Digital RGB). The ch.0 of the product which doesn't support FPD-LINK is used for RSDS and DRGB.
- Display Output ch.1 is used for FPD-LINK (LVDS) and DRGB (Digital RGB). The ch.1 of the product which doesn't support FPD-LINK is used for DRGB only.
- HyperBus Interface ch.0 for MCU and ch.1 for graphic subsystem cannot be used simultaneously.

2.2.1.2 S6J320A

Figure 2-2: Option and Part Number for S6J320A



\* TCAM: 64 KB + System-RAM: 128 KB

Table 2-3: Function Digit Table

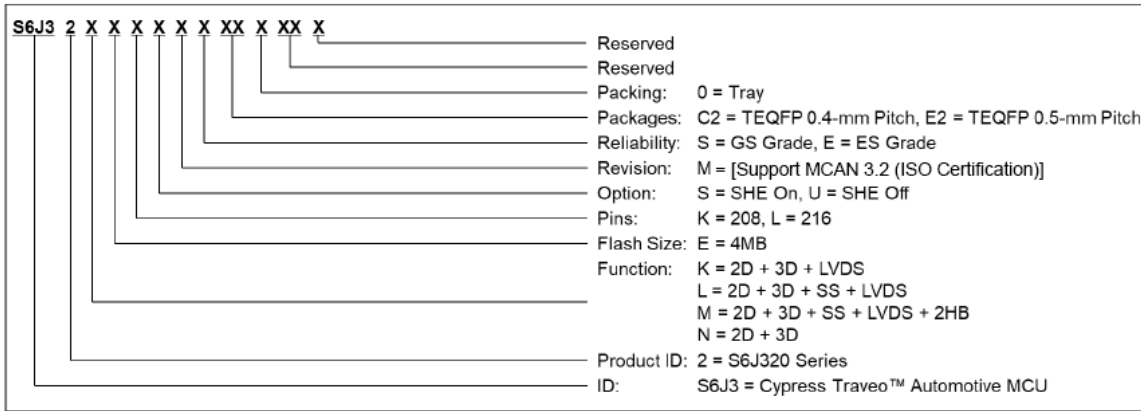
| Part Number               | S6J32X<br>(X = Function Digit) |
|---------------------------|--------------------------------|
| <b>Function Digit</b>     | <b>B</b>                       |
| CPU Clock Maximum         | 160 MHz                        |
| Graphics Clock Maximum    | 160 MHz                        |
| Display Output Support    | ch.0                           |
| Video Capture Support     | N/A                            |
| Graphic Engine Type       | 2D                             |
| HyperBus Interface        | ch.0, 1                        |
| Sound System              | YES                            |
| FPD-Link                  | N/A                            |
| Media System              | N/A                            |
| Chip Select Output of MFS | N/A                            |
| I <sup>2</sup> C          | MFS ch.16, 17                  |

**Notes:**

- This table only shows the relation between the optional function and the part numbers. That is, all products are not necessarily available for orders. See the order number on the datasheet, and confirm actual availabilities of products.
- The sound system is composed of the sound waveform generator, the sound mixer, the audio DAC, PCM-PWM, and I2S0.
- The media system means both Ethernet AVB and Media LB.
- The CLK\_CPU is assigned for CPU clock. The CLK\_CD3A0 is assigned for Graphic clock. They are defined at the chapter of Clock Configuration.
- Display Output ch.0 is used for RSDS and FPD-LINK (LVDS) as well as DRGB (Digital RGB). The ch.0 of the product which doesn't support FPD-LINK is used for RSDS and DRGB.
- HyperBus Interface ch.0 for MCU and ch.1 for graphic subsystem cannot be used simultaneously.

2.2.1.3 S6J320E

**Figure 2-3: Option and Part Number for S6J320E**



\*1 TCRAM: 128 KB + System-RAM: 384 KB

**Table 2-4: Function Digit Table**

| Part Number               | S6J32X                   |                          |                          |                          |
|---------------------------|--------------------------|--------------------------|--------------------------|--------------------------|
|                           | (X = Function Digit)     |                          |                          |                          |
| Function Digit            | K                        | L                        | M                        | N                        |
| CPU Clock Maximum         | 240 MHz                  | 240 MHz                  | 240 MHz                  | 240 MHz                  |
| Graphics Clock Maximum    | 200 MHz                  | 200 MHz                  | 200 MHz                  | 200 MHz                  |
| Display Output Support    | ch.0, 1                  | ch.0, 1                  | ch.0, 1                  | ch.0, 1                  |
| Video Capture Support     | 1 unit                   | 1 unit                   | 1 unit                   | 1 unit                   |
| Graphic Engine Type       | 2D, 3D                   | 2D, 3D                   | 2D, 3D                   | 2D, 3D                   |
| HyperBus Interface        | ch.0, 1                  | ch.0, 1                  | ch.0, 1, 2               | ch.0, 1                  |
| Sound System              | N/A                      | YES                      | YES                      | N/A                      |
| FPD-Link                  | YES                      | YES                      | YES                      | N/A                      |
| Media System              | YES                      | YES                      | YES                      | YES                      |
| Chip Select Output of MFS | YES                      | YES                      | YES                      | YES                      |
| I <sup>2</sup> C          | MFS ch.4, 10, 12, 16, 17 | MFS ch.4, 10, 12, 16, 17 | MFS ch.4, 10, 12, 16, 17 | MFS ch.4, 10, 12, 16, 17 |

**Notes:**

- This table only shows the relation between the optional function and the part numbers. That is, all products are not necessarily available for orders. See the order number on the datasheet, and confirm actual availabilities of products.
- The sound system is composed of the sound waveform generator, the sound mixer, the audio DAC, PCM-PWM, and I2S0.
- The media system means both Ethernet AVB and Media LB.
- The CLK\_CPU is assigned for CPU clock. The CLK\_CD3A0 is assigned for Graphic clock. They are defined at the chapter of Clock Configuration.
- Display Output ch.0 is used for RSDS and FPD-LINK (LVDS) as well as DRGB (Digital RGB). The ch.0 of the product which doesn't support FPD-LINK is used for RSDS and DRGB.
- Display Output ch.1 is used for FPD-LINK (LVDS) and DRGB (Digital RGB). The ch.1 of the product which doesn't support FPD-LINK is used for DRGB only.
- HyperBus Interface ch.0 for MCU and ch.1 for graphic subsystem cannot be used simultaneously.

**2.2.2 ID**

ID is specified for each function digit and revision, which is defined in Figure 2-1 through Figure 2-3. The Chip ID can be read from SYSC0\_SYSIDR and the Platform ID can be read from SYSC0\_SYSPFIDR. For SYSC0\_SYSIDR and SYSC0\_SYSPFIDR, see the TRAVEO™ T1G Platform hardware manual.

The Graphic subsystem ID can be read from the IPIIdentifier register on the graphic subsystem. See the chapter Graphic Subsystem in S6J3200 hardware manual.

| Function Digit      | Option  | Revision | Chip ID    | JTAG ID    | Platform ID | Graphic Subsystem |
|---------------------|---------|----------|------------|------------|-------------|-------------------|
| 3, 4, 5, 6, 7, 8, 9 | S and U | A        | 0x10100000 | 0x100085CF | 0x00110200  | N/A               |
|                     |         | B        | -          | -          | -           | -                 |
|                     |         | C and D  | 0x10100100 | 0x1000C5CF | 0x00110200  | N/A               |
|                     |         | E and F  | 0x10100101 | 0x1000C5CF | 0x00110200  | 0x23443420        |
|                     |         | H        | 0x10100102 | 0x1000C5CF | 0x00110200  | 0x23443470        |
|                     |         | J        | 0x10100103 | 0x1000C5CF | 0x00110200  | 0x23443480        |
|                     |         | M        | 0x10100104 | 0x1000C5CF | 0x00110200  | 0x23443490        |
|                     |         | P        | 0x10100104 | 0x1000C5CF | 0x00110200  | 0x23443490        |
| B                   | S       | A        | -          | -          | -           | -                 |
|                     |         | B        | 0x10110000 | 0x100095CF | 0x00110200  | N/A               |
|                     |         | C and D  | -          | -          | -           | -                 |
|                     |         | E        | 0x10110002 | 0x100095CF | 0x00110200  | 0x23442450        |
| K                   | S       | M        | 0x10170000 | 0x002705CF | 0x00110200  | 0x23443490        |
| L                   | S       |          |            | 0x002715CF |             |                   |
| M                   | S       |          |            | 0x002725CF |             |                   |
| N                   | S       |          |            | 0x002735CF |             |                   |

**2.2.3 Restriction**

Some functions have restrictions which depend on package pin counts.

**Table 2-5**

| Function                       | TEQFP256                    | TEQFP216                    | TEQFP208   |
|--------------------------------|-----------------------------|-----------------------------|--|
| Analog input port (12 bit-ADC) | AN0 to AN49<br>(50 ports)   | AN0 to AN49<br>(50 ports)   | AN1 to AN3, AN5 to AN17,<br>AN20 to AN49<br>(46 ports) |
| SEG port of LCD controller     | SEG0 to SEG31<br>(32 ports) | SEG0 to SEG31<br>(32 ports) | SEG0 to SEG29<br>(30 ports)                            |

| Function            | TEQFP256   | TEQFP216  | TEQFP208   |
|---------------------|--|---|--|
| General Purpose I/O | P0_00, P0_01, P0_02,<br>P0_03, P0_04, P0_05,<br>P0_06, P0_07, P0_08,<br>P0_09, P0_10, P0_11,<br>P0_12, P0_13, P0_14,<br>P0_15, P0_16, P0_17,<br>P0_18, P0_19, P0_26,<br>P0_27, P0_28, P0_30,<br>P0_31, P1_00, P1_01,<br>P1_02, P1_03, P1_04,<br>P1_05, P1_06, P1_07,<br>P1_08, P1_09, P2_16,<br>P2_17, P2_19, P2_22,<br>P2_24, P2_25, P2_26,<br>P2_27, P2_28, P2_29,<br>P2_30, P2_31, P3_00,<br>P3_01, P3_02, P3_03,<br>P3_04, P3_05, P3_06,<br>P3_07, P3_08, P3_09,<br>P3_10, P3_11, P3_12,<br>P3_13, P3_14, P3_15,<br>P3_16, P3_17, P3_18,<br>P3_19, P3_20, P3_21,<br>P3_22, P3_23, P3_24,<br>P3_25, P3_26, P3_27,<br>P3_28, P3_29, P3_30,<br>P3_31, P4_00, P4_01,<br>P4_02, P4_03, P4_04,<br>P4_05, P4_06, P4_07,<br>P4_08, P4_09, P4_10,<br>P4_11, P4_12, P4_25,<br>P4_26, P4_27, P4_28,<br>P4_29, P4_30, P4_31,<br>P5_00, P5_01, P5_02,<br>P5_03, P5_04, P5_05,<br>P5_06, P5_07, P5_08,<br>P5_09, P5_10, P5_11,<br>P5_12, P5_13, P5_14,<br>P5_15, P5_16, P5_17,<br>P5_18, P5_19, P5_20,<br>P5_21, P5_22, P5_27,<br>P5_28, P5_29, P5_30,<br>P5_31, P6_00, P6_01,<br>P6_02, P6_03, P6_04,<br>P6_05, P6_06, P6_07,<br>P6_08, P6_09, P6_10,<br>P6_11, P6_12, P6_13,<br>P6_14, P6_15, P6_16,<br>P6_17, P6_18, P6_19,<br>P6_20, P6_21, P6_22,<br>P6_23, P6_24, P6_25,<br>P6_26<br>(154 ports) | P0_00, P0_01, P0_02,<br>P0_03, P0_04, P0_05,<br>P0_06, P0_07, P0_08,<br>P0_09, P0_10, P0_11,<br>P0_12, P0_13, P0_14,<br>P0_15, P0_16, P0_17,<br>P0_18, P0_19, P0_26,<br>P0_27, P0_28, P0_30,<br>P0_31, P1_00, P1_01,<br>P1_02, P1_03, P1_04,<br>P1_05, P1_06, P1_07,<br>P1_08, P1_09, P2_16,<br>P2_17, P2_19, P2_22,<br>P2_24, P2_25, P2_26,<br>P2_27, P2_28, P2_29,<br>P2_30, P2_31, P3_00,<br>P3_01, P3_02, P3_03,<br>P3_04, P3_05, P3_06,<br>P3_07, P3_08, P3_09,<br>P3_10, P3_11, P3_12,<br>P3_13, P3_14, P3_15,<br>P3_16, P3_17, P3_18,<br>P3_19, P3_20, P3_21,<br>P3_22, P3_23, P3_24,<br>P3_25, P3_26, P3_27,<br>P3_28, P3_29, P3_30,<br>P3_31, P4_00, P4_01,<br>P4_02, P4_03, P4_04,<br>P4_05, P4_06, P4_07,<br>P4_08, P4_09, P4_10,<br>P4_11, P4_12, P4_25,<br>P4_26, P4_27, P4_28,<br>P4_29, P4_30, P4_31,<br>P5_00, P5_01, P5_02,<br>P5_03, P5_04, P5_05,<br>P5_06, P5_07, P5_08,<br>P5_09, P5_10, P5_11,<br>P5_12, P5_13, P5_14,<br>P5_15, P5_16, P5_17,<br>P5_18, P5_19, P5_20,<br>P5_21, P5_22, P5_27,<br>P5_28, P5_29, P5_30,<br>P5_31, P6_00<br>(128 ports) | P0_00, P0_01, P0_04,<br>P0_05, P0_06, P0_07,<br>P0_08, P0_09, P0_10,<br>P0_11, P0_12, P0_13,<br>P0_14, P0_15, P0_16,<br>P0_17, P0_18, P0_19,<br>P0_26, P0_27, P0_28,<br>P0_30, P0_31, P1_00,<br>P1_01, P1_02, P1_03,<br>P1_04, P1_05, P1_06,<br>P1_07, P1_08, P1_09,<br>P2_16, P2_17, P2_19,<br>P2_22, P2_25, P2_26,<br>P2_27, P2_29, P2_30,<br>P2_31, P3_00, P3_01,<br>P3_02, P3_03, P3_04,<br>P3_05, P3_06, P3_07,<br>P3_08, P3_09, P3_12,<br>P3_13, P3_14, P3_15,<br>P3_16, P3_17, P3_18,<br>P3_21, P3_22, P3_23,<br>P3_24, P3_25, P3_26,<br>P3_27, P3_28, P3_29,<br>P3_30, P3_31, P4_00,<br>P4_01, P4_02, P4_03,<br>P4_04, P4_05, P4_06,<br>P4_07, P4_08, P4_09,<br>P4_10, P4_11, P4_12,<br>P4_25, P4_26, P4_27,<br>P4_28, P4_29, P4_30,<br>P4_31, P5_00, P5_01,<br>P5_02, P5_03, P5_04,<br>P5_05, P5_06, P5_07,<br>P5_08, P5_09, P5_10,<br>P5_11, P5_12, P5_13,<br>P5_14, P5_15, P5_16,<br>P5_17, P5_18, P5_19,<br>P5_20, P5_21, P5_22,<br>P5_27, P5_28, P5_29,<br>P5_30, P5_31, P6_00<br>(120 ports) |
| PPG triggered input | PPG0/1/2/3/4/5_TIN1,<br>PPG6/7/8/9/10/11_TIN   | PPG0/1/2/3/4/5_TIN1,<br>PPG6/7/8/9/10/11_TIN  | PPG6/7/8/9/10/11_TIN   |

**Notes:**

- See multiplexed functions on pin assignment sheet.
- The optional restriction will be added without notification.

### 3. Product Description

#### 3.1 Overview

This section explains the product features of the S6J3200 series. The description of this section should precede the duplicated description on platform manual.

#### 3.2 Product Description

**Table 3-1: Product Features**

| Feature                 | Description   |
|-------------------------|---|
| Technology              | 55-nm CMOS technology with embedded flash<br>Fully automotive qualified according to ISO/TS 16949 and AEC-Q100  |
| Functional Safety       | The product series has some functional safety features suited for ASIL-B application.   |
| Peripherals             | See function list.  |
| Power Domain (PD)       | See the platform manual and the STATE TRANSITION chapter in detail.<br>The product series supports the power-off control of PD2 (including PD3 and 5), PD4_0, PD4_1, and PD6.<br>The power domain resets of PD3 and PD5 included in PD2 are not supported in the product series, and "0" is always read from the reset factor flags of them.<br>This series does not support partial wakeup for PD6.                    |
| Debug and Trace         | See the platform manual in detail.<br><ul style="list-style-type: none"> <li>- Standard 5-pin JTAG interface</li> <li>- 4k Word Embedded Trace Buffer</li> </ul> 4-bit trace support for TEQFP package.<br>Full trace (dedicated 16-bit port) with special bond-out package is planned.   |
| System Control          | See the platform manual in detail.<br>Main and sub oscillator is available.<br><ul style="list-style-type: none"> <li>- A wide range of 3.6 - 16 MHz is available for main oscillator</li> <li>- 32 KHz is available for sub oscillator</li> </ul> Sub clock is enable/disable by register settings   |
| Clock                   | See the platform manual in detail.<br>CLK_CLKO (Clock Output Function) is not supported.<br>Main Oscillation Stabilization Wait Time (at 4 MHz):8.19 ms (Initial value)   |
| Embedded CR oscillation | See the platform manual in detail.<br>Stabilization time is as followings.<br><ul style="list-style-type: none"> <li>- 0.35 ms to 0.8 ms for 4 MHz (Fast clock)</li> <li>- 0.43 ms to 1.28 ms for 100 kHz (Slow clock)</li> </ul>   |
| Clock Supervisor        | See the platform manual in detail.<br>This product series does not support the clock supervisor output port. (Related register and internal circuit is implemented.)  |
| Reset                   | See the platform manual in detail.<br>Following resets are not mounted on this device or not supported.<br><ul style="list-style-type: none"> <li>- INITX: INITX is issued by simultaneous assert of RSTX and MODE, but this product series does not support INITX.</li> <li>- SRSTX (and nSRST pin)</li> </ul> The product series does not support EX5VRST and writing EX5VRSTCNT bits in SYSC0_SPECFGR has no effect. |
| Hardware Watchdog       | See the platform manual in detail.<br>Hardware watchdog function stops during PSS mode. In the related register of HWDG_CFG, the bit ALLOWSTOPCLK is always read as 1 (HWDG_CFG.ALLOWSTOPCLK=1).<br>The product series does not support Watchdog Counter Monitor Output port. (Related register and internal circuit is implemented.)   |

| Feature                         | Description   |
|---------------------------------|---|
| Software Watchdog               | See the platform manual in detail.<br>The product series doesn't support Watchdog Counter Monitor Output port. (Related register and internal circuit is implemented.)  |
| Standby Mode                    | See the platform manual in detail.<br>Standby mode with 5 V single power supply is available.<br>Turning off the 3.3-V supply and the external 1.2-V supply in standby mode is available.<br>The long term pulse of the indicator PWM can be outputted during RTC Standby mode.   |
| PLL / SSCG PLL                  | See the platform manual in detail.<br>Use case assumption is following. <ul style="list-style-type: none"> <li>- PLL               <ul style="list-style-type: none"> <li>➢ Sound system clock</li> <li>➢ Sound frequency master clock</li> <li>➢ Peripherals</li> <li>➢ Display clock</li> <li>➢ Trace clock</li> </ul> </li> <li>- SSCG               <ul style="list-style-type: none"> <li>➢ CPU core</li> <li>➢ GDC core</li> <li>➢ HyperBus</li> <li>➢ DDR-HSSPI</li> </ul> </li> </ul> Product supports down spread and center spread modes with the conditions defined in chapter "Internal Clock Timing" on the datasheet. |
| External Interrupts             | See the platform manual in detail.  |
| NMI                             | See the platform manual in detail.<br>1 NMI pin.  |
| Memory Protection               | MPU16 AHB: See the platform manual in detail.<br>MPU for AXI: ch.0 (Supervise Ethernet)<br>MPU for AHB: ch.1 (Supervise Media LB)<br>Additional MPU for Graphic sub system, MediaLB and Ethernet AVB. They are described on the chapter of MPU for AHB and MPU for AXI.<br><br>To configure Lock or Unlock for both MPUXn_UNLOCK and MPUHn_UNLOCK, <ul style="list-style-type: none"> <li>- Lock: 0x112ABB56</li> <li>- Unlock: 0xACCABB56</li> </ul>   |
| Peripheral Protection           | See the platform manual in detail.<br>Protected peripherals are described in the base address map.  |
| Internal Memories<br>System RAM | See the platform manual in detail.<br>1 wait cycle is necessary for RAM read at over 160 MHz.<br>No need to insert wait cycles for RAM write.   |
| Internal Memories<br>TCRAM      | See the platform manual in detail.  |
| Internal Memories<br>Backup RAM | 16 KB<br>Backup RAM can only be operated in RUN mode (normal operation mode). In other mode the memory content should be retained, but it cannot be operated. SLEEP control for Backup RAM is not supported and cannot be used.   |
| Internal Memories<br>VRAM       | ECC region is shared with user region.<br>Memory size available for user program become less when ECC is enabled.<br>User can define ECC enabled area and ECC disabled area.<br>Single error correction, double error detection (SECDED) ECC support per 32-bit word.   |

| Feature                                       | Description   |
|---|---|
| Embedded Program/Work Flash Memory            | Embedded Program flash can be accessed with 0-wait-cycle if CPU frequency is 80 MHz or less.<br>0-wait-cycle: 80 MHz or less.<br>1-wait-cycle: 160 MHz or less.<br>2-wait-cycle: more than 160 MHz.<br>The maximum frequency should be referred in datasheet.<br><br>Erase suspend is supported. Reading and writing to the other sector are possible when Flash Erase is suspended.<br>Serial Flash programming and Parallel Flash programming are supported.<br>Margin mode is not supported. |
| Security                                      | Chip erase function is available for flash memory.<br>The function of "MK_CEER" is not supported. (MK_CEER = not selectable)<br>For details, see the platform manual and chapter "Security"   |
| Internal Power Domain                         | PD1: Always ON<br>PD2: Cortex R5F platform/ GDC/ additional peripherals<br>PD4: Backup RAM in Always On domain<br>PD6: Peripherals in Always On domain<br>* The chapter of the block diagram explains in detail.  |
| Power Supply                                  | External 5 V, 3 V, 1.2 V is required.<br>Built in LDO provides internal 1.2 V for Always On region (PD1).<br>External 1.2-V power supply control pin is supported.<br>External 3.3-V power supply should be controlled by GPIO.<br>There are constraints of power on/off sequence.  |
| Low-voltage Detection                         | LVD for external voltage is supported.<br>LVD for internal voltage is supported.<br>See the specification of the detected level on the datasheet.   |
| Low-voltage Detection for RAM Retention (RVD) | RVD for RAM retention is effective during the standby mode only. That is, it is only for the Backup RAM of 16 KB that the function is available.  |
| Resource inter-connect                        | The output signal of some resources can be inputted to the other resource.  |
| I/O Ports                                     | 5-V GPIO<br>3-V GPIO<br>Multi input level and multi output drivability<br>Pull-up, pull-down function is available.<br>Resource input and output is multiplexed.<br>+B input is allowed many pins of 3.3 V, 5 V, and 3.3 V/5 V I/O domain.  |
| A/D Converter                                 | 12-bit resolution, 1 unit<br>50 channels of analog input for TEQFP256 and TEQPF216<br>46 channels of analog input for TEQFP208<br>24 channels of them are shared with the SMC for TEQFP256/216/208<br>External trigger and timer trigger are available.<br>The description of the A/D converter function should be referred in the S6J3200 hardware manual.<br>Though the chapter of I/O port in TRAVEO™ T1G PF V3 hardware manual describes another A/D converter function, do not refer it.   |
| CRC   | See the platform manual in detail.  |
| Programmable CRC                              | DMA support   |
| Sound Generator                               | Produces sound/melody with varying frequency and amplitude for convenient duration<br>Square wave sound output<br>Automatic linear amplitude increment or decrement<br>Interrupt request generated when specified sound length has ended  |

| Feature  | Description   |
|--|---|
| Sound Waveform Generator                             | Sine waveform, saw-tooth waveform and Square waveform are generated with easy configuration of the parameters which specified sound sources.<br>Fade-in and Fade-out control for reverberation.   |
| Sound Mixer  | The input channels of 0-4 are reserved for waveform generator.<br>Mixing different sampling frequency sounds.<br>Mixing Internal sounds and External I2S input sounds.<br>Saturating addition function for keeping sound quality.<br>Cut a specific frequency data by digital filter.<br>LPF is support by FIR filter.<br>Fade-in and Fade-out control.   |
| PCM-PWM  | Conversion of PCM audio streaming to Pulse Width Modulated signals.<br>Supports 2 output channels for stereo and mono data<br>Up to 16-bit output sample resolution<br>Support for half and full H-bridges  |
| Audio DAC  | The sound source of the fixed 48 kHz sampling frequency can be outputted.<br>1unit, L/R channels support.<br>BTL connection is available.   |
| I2S  | 2 ch.<br>- I2S0 can output sound sources which are processed by Sound System.<br>- I2S1 can input sound sources which are processed by Sound System.<br>See the "Sound System Configuration" of S6J3200 hardware manual in detail.  |
| Base Timer   | See the platform manual in detail.<br><br>A unit consists of a pair of 16-bit base timers. 12 units, that is, 24 channels of base timers are available.   |
| Reload Timer   | See the platform manual in detail.  |
| I/O Timer  | See the platform manual in detail.  |
| Quad Position & Revolution Counter (Up/Down Counter) | See the platform manual in detail.  |
| Multi-functional Serial (MFS)                        | See the platform manual in detail.<br><br>5 ports of MFS only support I <sup>2</sup> C.<br>Note<br>- Not all pins support I2C. Only pins which have the I2C I/O characteristics support it. See the datasheet in detail.<br>The I <sup>2</sup> C is not designed to be hot swappable.<br><br>The availability of chip select function can be seen at Function Digit Table.<br>Chip Select Input is not supported.<br><br>CTS/RTS is not mounted (hardware flow control is not supported for this series.)<br><br>WUCR function is not supported for this product. |
| CAN-FD   | Flexible data rate is supported.<br>16 KB/ch of message RAM is available.<br>The clock output from CAN pre-scaler is supplied to every CAN. ECC error generation function of the message RAM is not supported for this device. Therefore, CAN FD ECC Error Insertion Control Register (FDFECCR) is not writeable.<br>See the platform manual in detail  |
| Real Time Clock (RTC) with Auto-calibration          | See the platform manual in detail.  |

| Feature                                | Description  |
|--|--|
| DDR High Speed SPI                     | ch.0: HSSPI as a MCU peripheral<br>ch.1: HSSPI on graphic subsystem<br>See the platform manual in detail   |
| HyperBus I/F                           | ch.0: HyperBus as a MCU peripheral<br>ch.1: HyperBus on graphic subsystem<br>ch.2: HyperBus on graphic subsystem<br>The following register is not supported and cannot be used.<br><ul style="list-style-type: none"> <li>- Controller Status Register (HYPERBUSIn_CSR)</li> <li>- Interrupt Enable Register (HYPERBUSIn_IEN)</li> <li>- Interrupt Status Register (HYPERBUSIn_ISR)</li> <li>- Write Protection Register (HYPERBUSIn_WPR)</li> <li>- Test Register (HYPERBUSIn_TEST)</li> </ul> GPO signal can only be used for "Internal Control example by GPO" in this product, that is, it can select using HyperBus of PF or using HyperBus of Graphic Sub System.<br>See the "HyperBus Interface Port Configuration" of S6J3200 hardware manual in detail. |
| Stepper Motor Control (SMC)            | Each channel has four motor drivers with high output capability  |
| External Interrupt Capture Unit (EICU) | See the platform manual in detail.   |
| Ethernet AVB                           | 10/100 Mbps<br>MII-Interface<br>Supports Audio-Video Bridging (AVB)<br>ETHERNETn_revision_reg :<br>0x30070106 (Initial value) for after revision B<br><br>ETHERNETn_designcfg_debug6:<br>0x0302000E (Initial value)<br><br>See 0 in details.   |
| MediaLB                                | MOST25 (512FS)<br>3 wires<br>Maximum 15 ch is available.   |
| LCD Controller                         | TEQFP256: 4 com x 32 seg<br>TEQFP216: 4 com x 32 seg<br>TEQFP208: 4 com x 30 seg<br>LCDC pins are initialized with Reset. (Stop LCDC alternating current output).<br>Duty and Static of segment output is supported. (SEG23/ST0, SEG24/ST1, SEG25/ST2, SEG26/ST3, SEG27/ST4, SEG28/ST5, SEG29/ST6, SEG30/ST7, SEG31/ST8)   |
| SHE                                    | See the platform manual in detail.   |
| Source Clock Timer                     | See the platform manual in detail.   |
| Graphics Subsystem                     | Variable setting about GDC clock. (Asynchronous with CPU clock)<br>Two drawing engines for "2D drawing" and "3D drawing". Parallel processing support.<br>CPU can direct access to VRAM.<br>Programmable panel timing controller with RGB888 and RSDS support.   |
| FPD-Link Converter                     | LFCTRL and FRANGE bit of CTRL1. See chapter FPD-Link Converter about function.<br>-These register bit are supported for revision M, P.<br>-These register bit are not supported for revision F and J. These bit are reserved bit(Access type is R0,W0. Initial value is 0).  |

| Feature                    | Description  |
|----------------------------|--|
| Power Supply Control (PSC) | <p>PSC (PSC_1) output is used for external 1.2-V power supply module control and automatically switched with the following condition.</p> <p>"High": Request to supply VCC12</p> <ul style="list-style-type: none"> <li>- "Power ON Reset" is released</li> <li>- CPU wakes up from PSS shutdown mode</li> </ul> <p>"Low": Request to stop supplying VCC12</p> <ul style="list-style-type: none"> <li>- CPU transfers from RUN mode to PSS shutdown mode.</li> </ul> <p>For timing chart of output signals include PSC in detail, see the "S6J3200 hardware manual" and chapter "State Transition"</p> |

**3.2.1 Ethernet**

The following functions are not supported.

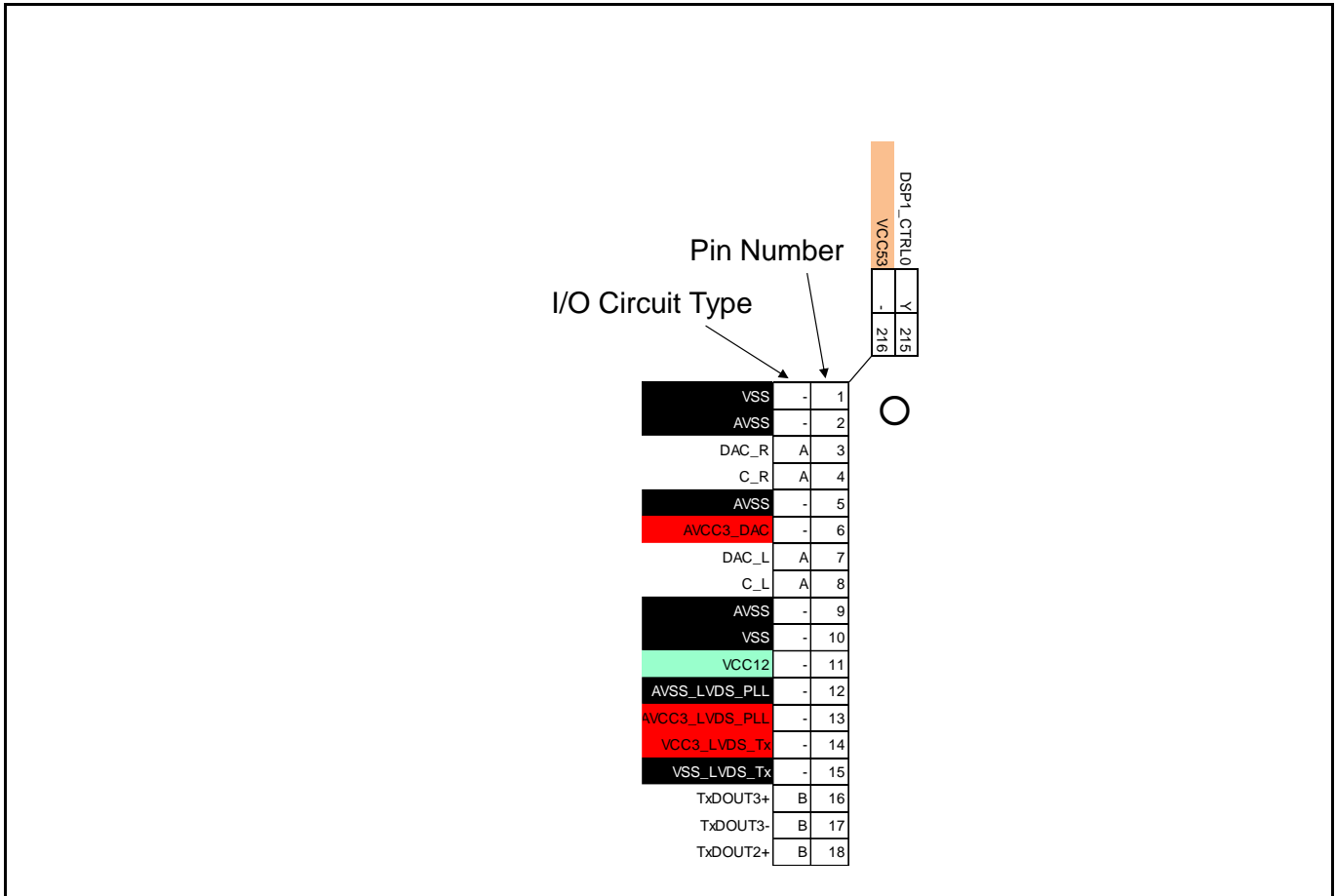
| Functions   | Remark |
|---|--------|
| External FIFO Interface   |        |
| Additional Low Latency TX FIFO Interface for DMA configurations       |        |
| MAC Transmit Block<br>- half-duplex<br>- collision<br>- back_pressure |        |
| MAC Filtering Block<br>- external address match<br>- Wakeup On Lan    |        |
| Energy Efficient Ethernet support                                     |        |
| LPI Operation in Cadence IP   |        |
| PHY Interface<br>- GMII<br>- SGMII<br>- TBI                           |        |
| 10/100/1000 Operation<br>- 1000 M                                     |        |
| SGMII Operation   |        |
| Jumbo Frames  |        |
| Physical Control Sub-Layer  |        |

## 4. Package and Pin Assignment

### 4.1 Pin Assignment

The characters next to the pin number in the pin assignment drawing specify the I/O circuit type.

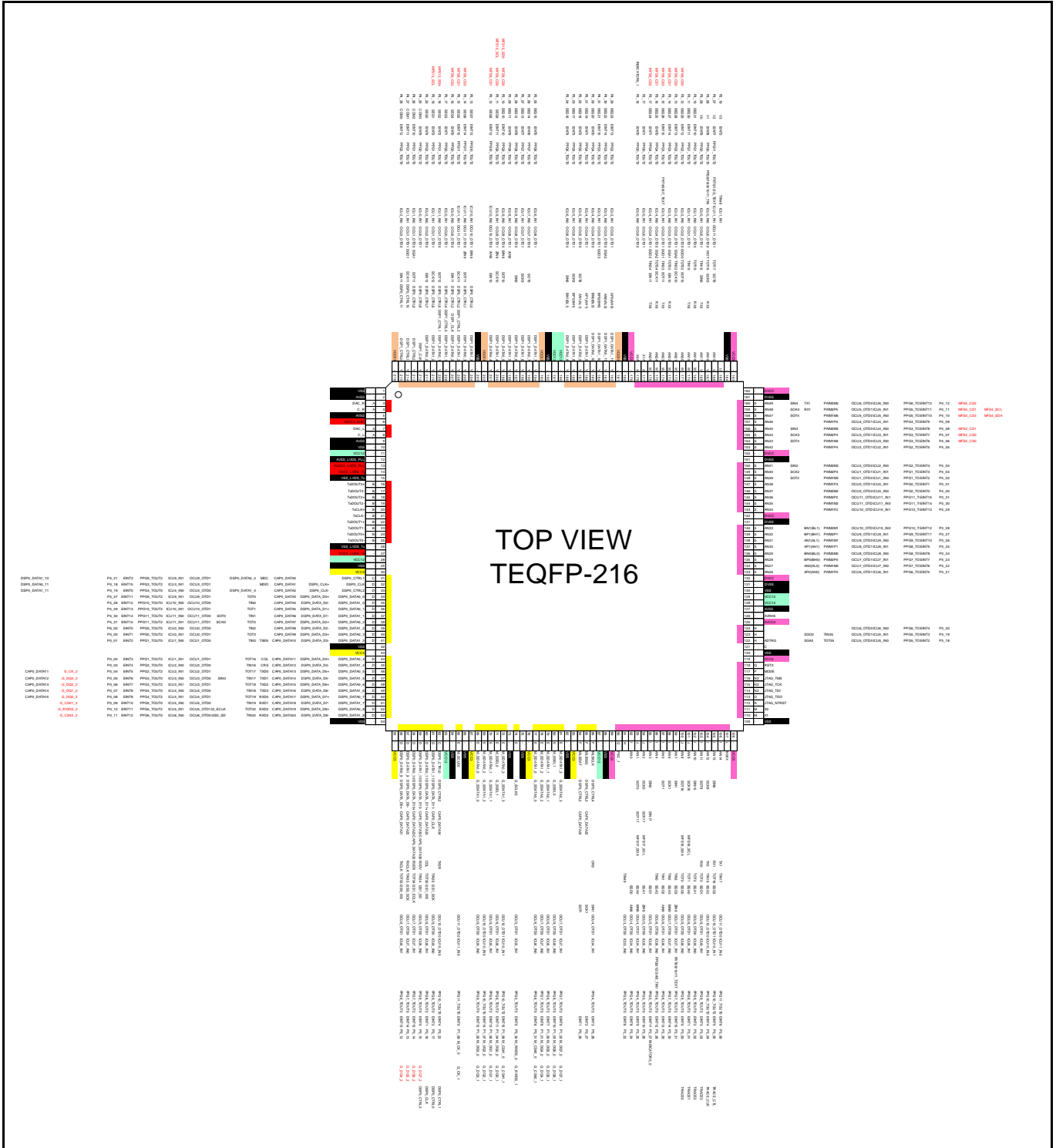
Figure 4-1: Pin Number and I/O Circuit Type



| Function Digit         | TEQFP-216  | TEQFP-208   | TEQFP-256   |
|------------------------|------------|-------------|-------------|
| S6J328, S6J329, S6J32M | Figure 4-2 | Figure 4-9  | Figure 4-17 |
| S6J327                 | Figure 4-3 | Figure 4-10 | -           |
| S6J326, S6J32L         | Figure 4-4 | Figure 4-11 | -           |
| S6J325, S6J32N         | Figure 4-5 | Figure 4-12 | -           |
| S6J324                 | Figure 4-6 | Figure 4-13 | -           |
| S6J323                 | Figure 4-7 | Figure 4-14 | -           |
| S6J32K                 | Figure 4-8 | Figure 4-15 | -           |
| B                      | -          | Figure 4-16 | -           |

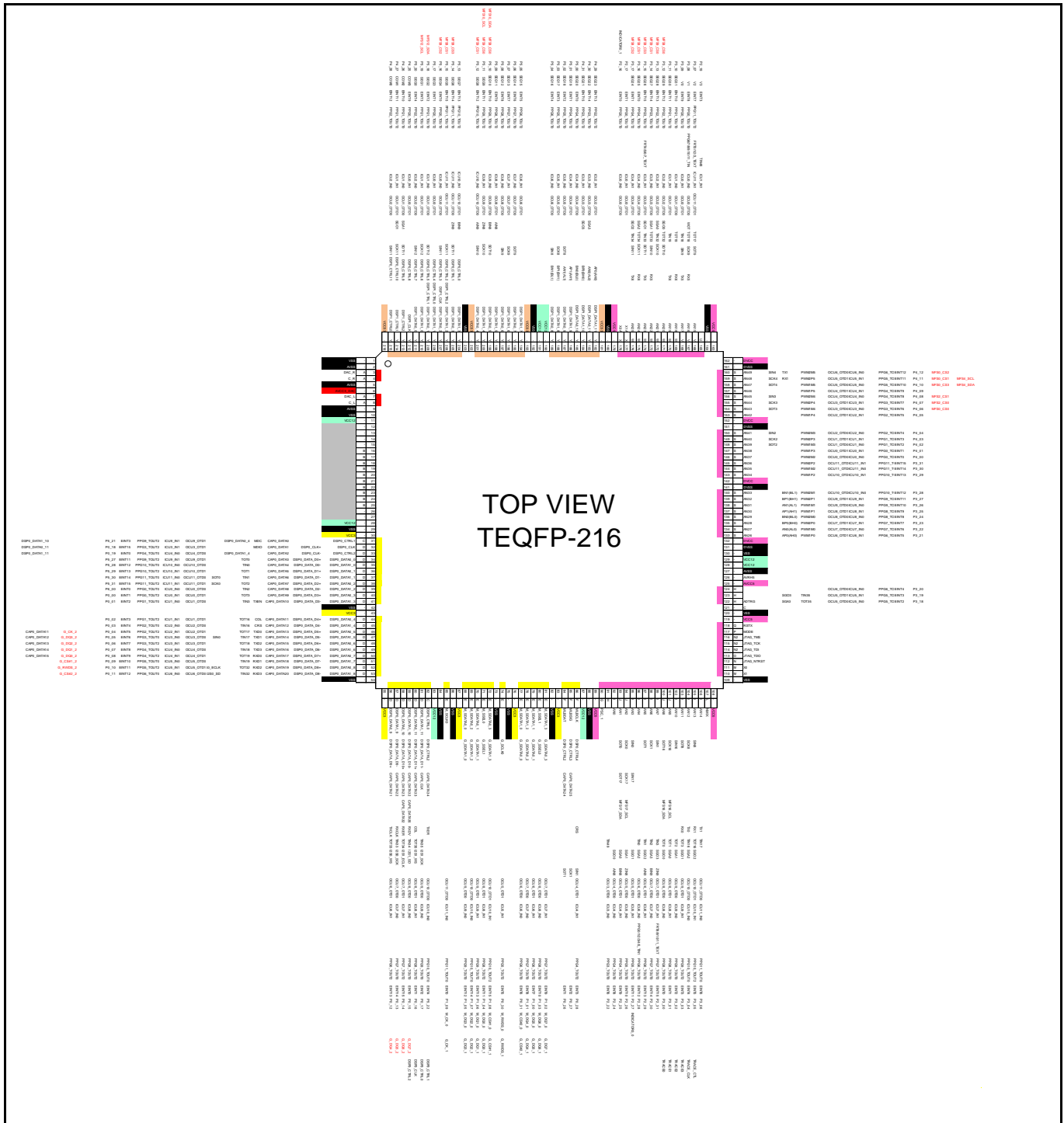
**4.1.1 TEQFP-216 Pin Assignment**

**Figure 4-2: TEQFP-216 (S6J328CLxx, S6J329CLxx, S6J32MELxx)**



**Note:**  
– The pins highlighted in "red" font are not supported for products with revision A and C.

Figure 4-3: TEQFP-216 (S6J327CLxx)

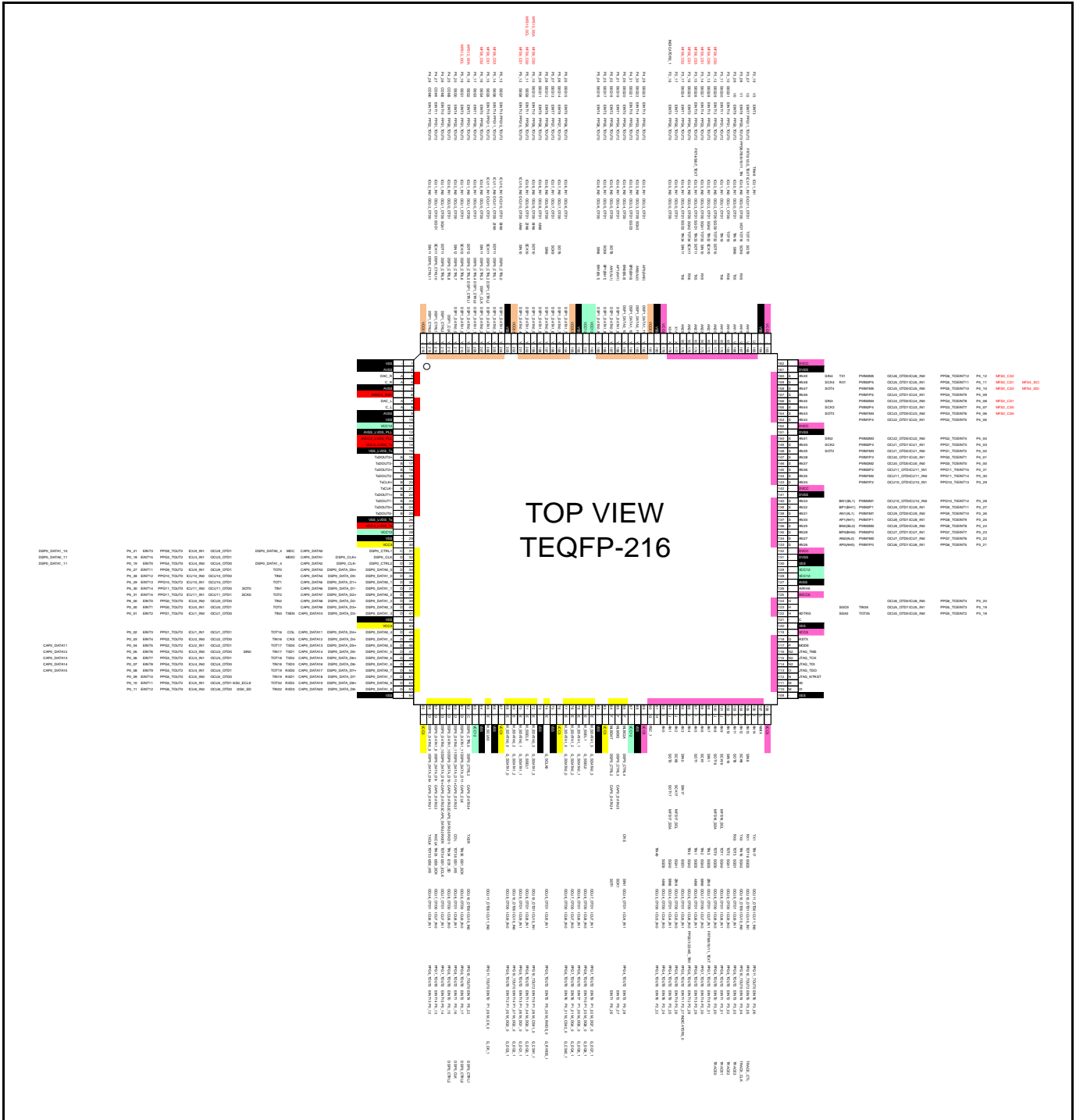


**Notes:**

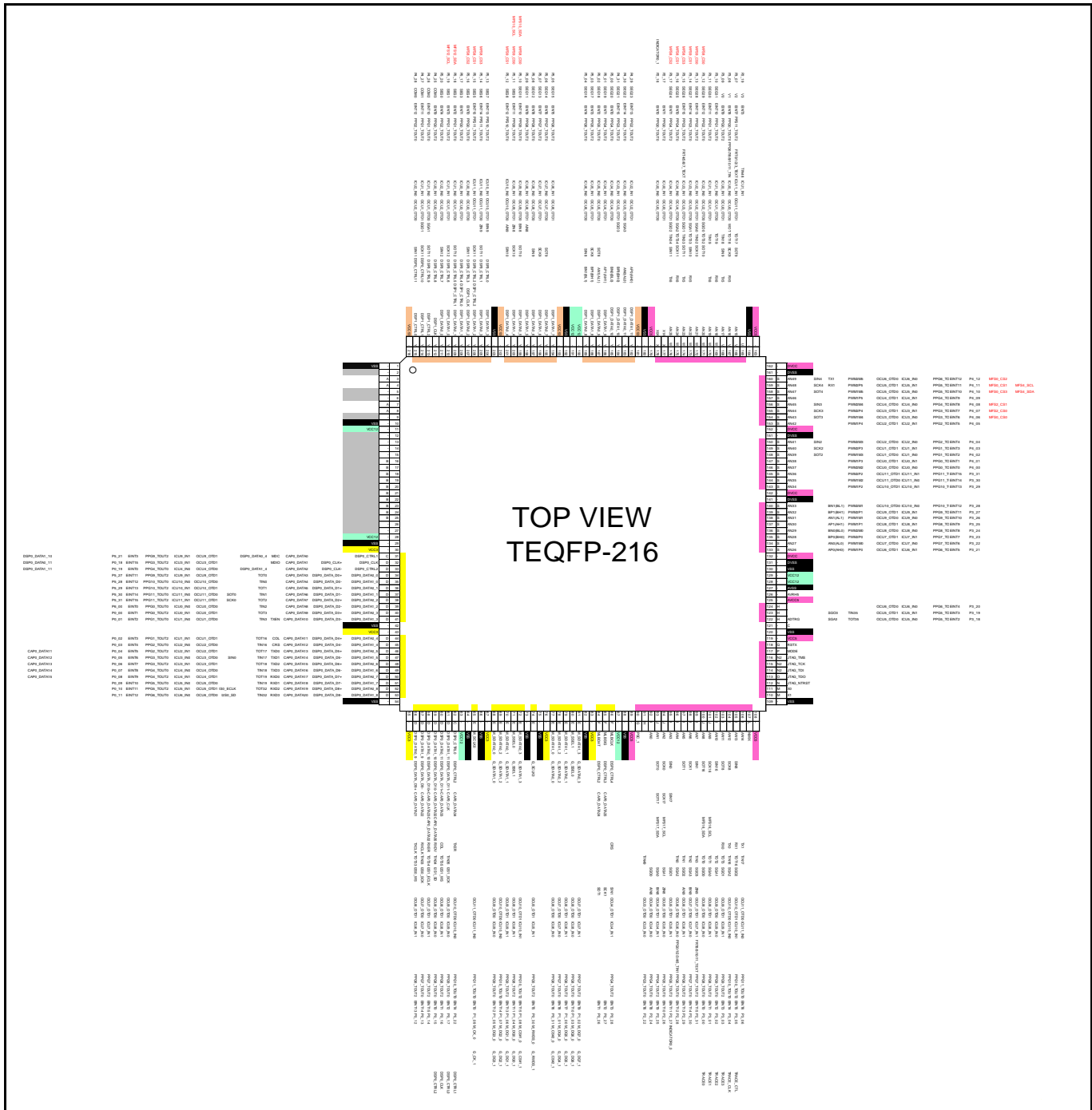
- The pins highlighted in "red" font are not supported for products with revision A and C.
- Any function at the following pins is not supported.

| Package Pin Number | Condition on PCB |
|--------------------|------------------|
| 12 to 27           | Set to ground    |

Figure 4-4: TEQFP-216 (S6J326CLxx, S6J32LELxx)



**Figure 4-5: TEQFP-216 (S6J325CLxx, S6J32NELxx)**

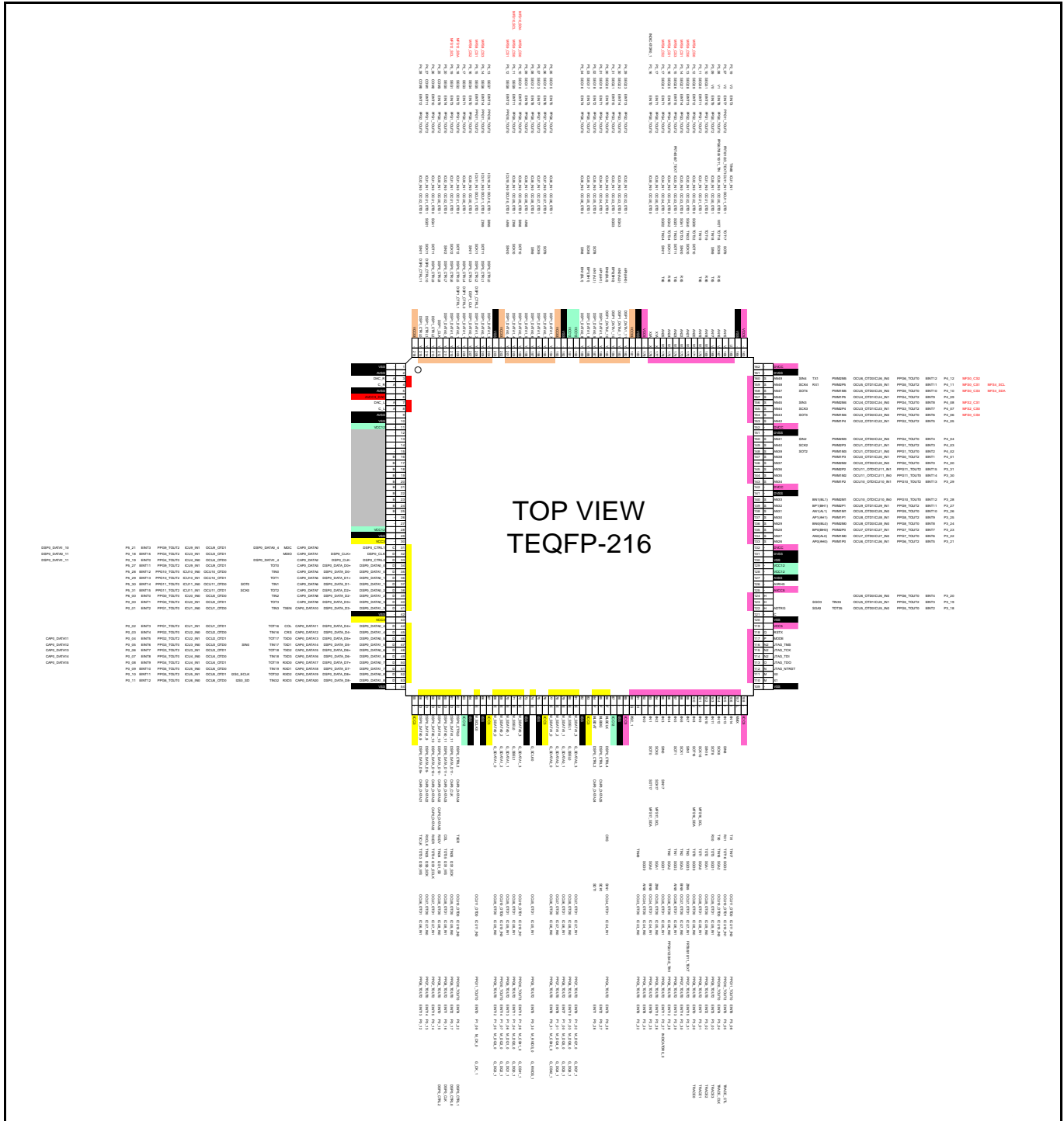


**Notes:**

- The pins highlighted in "red" font are not supported for products with revision A and C.
- Any function at the following pins is not supported.

| Package Pin Number       | Condition on PCB |
|--------------------------|------------------|
| 2, 5, 6, 9, and 12 to 27 | Set to ground    |
| 3, 4, 7, 8               | Open             |

Figure 4-6: TEQFP-216 (S6J324CLxx)

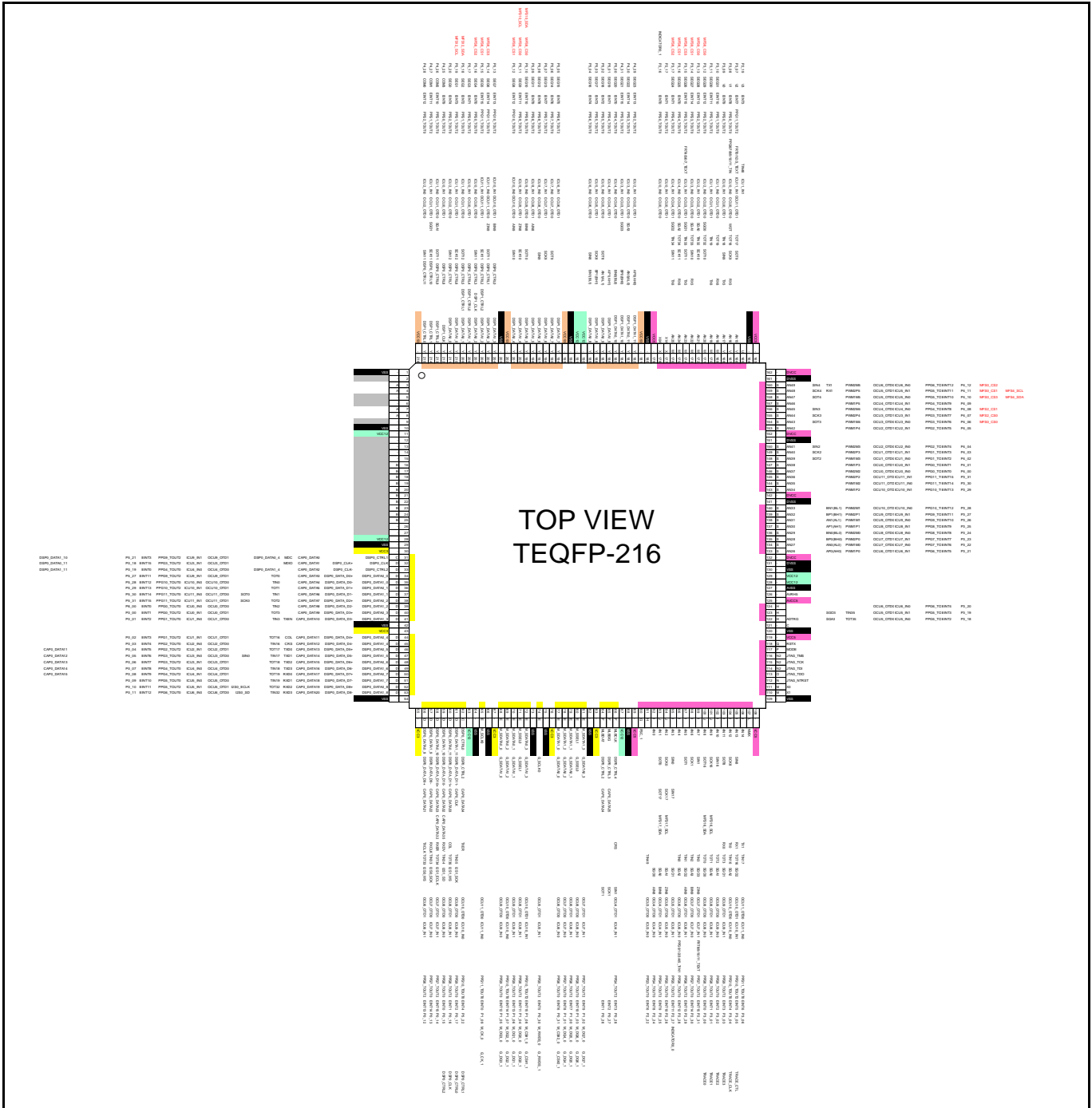


**Notes:**

- The pins highlighted in "red" font are not supported for products with revision A and C.
- Any function at the following pins is not supported.

| Package Pin Number | Condition on PCB |
|--------------------|------------------|
| 12 to 27           | Set to ground    |

Figure 4-7: TEQFP-216 (S6J323CLxx)

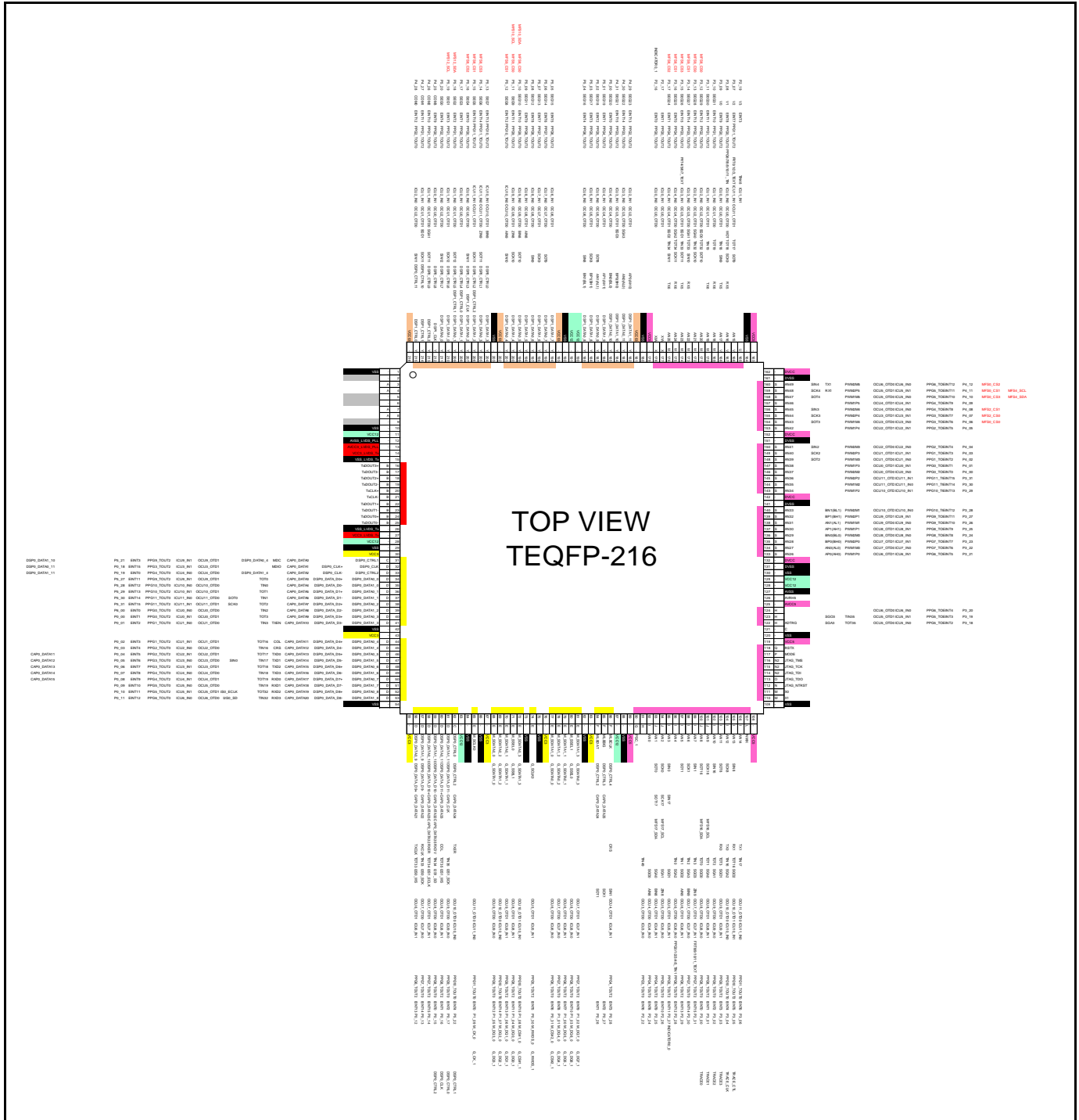


**Notes:**

- The pins highlighted in "red" font are not supported for products with revision A and C.
- Any function at the following pins is not supported.

| Package Pin Number       | Condition on PCB |
|--------------------------|------------------|
| 2, 5, 6, 9, and 12 to 27 | Set to ground    |
| 3, 4, 7, 8               | Open             |

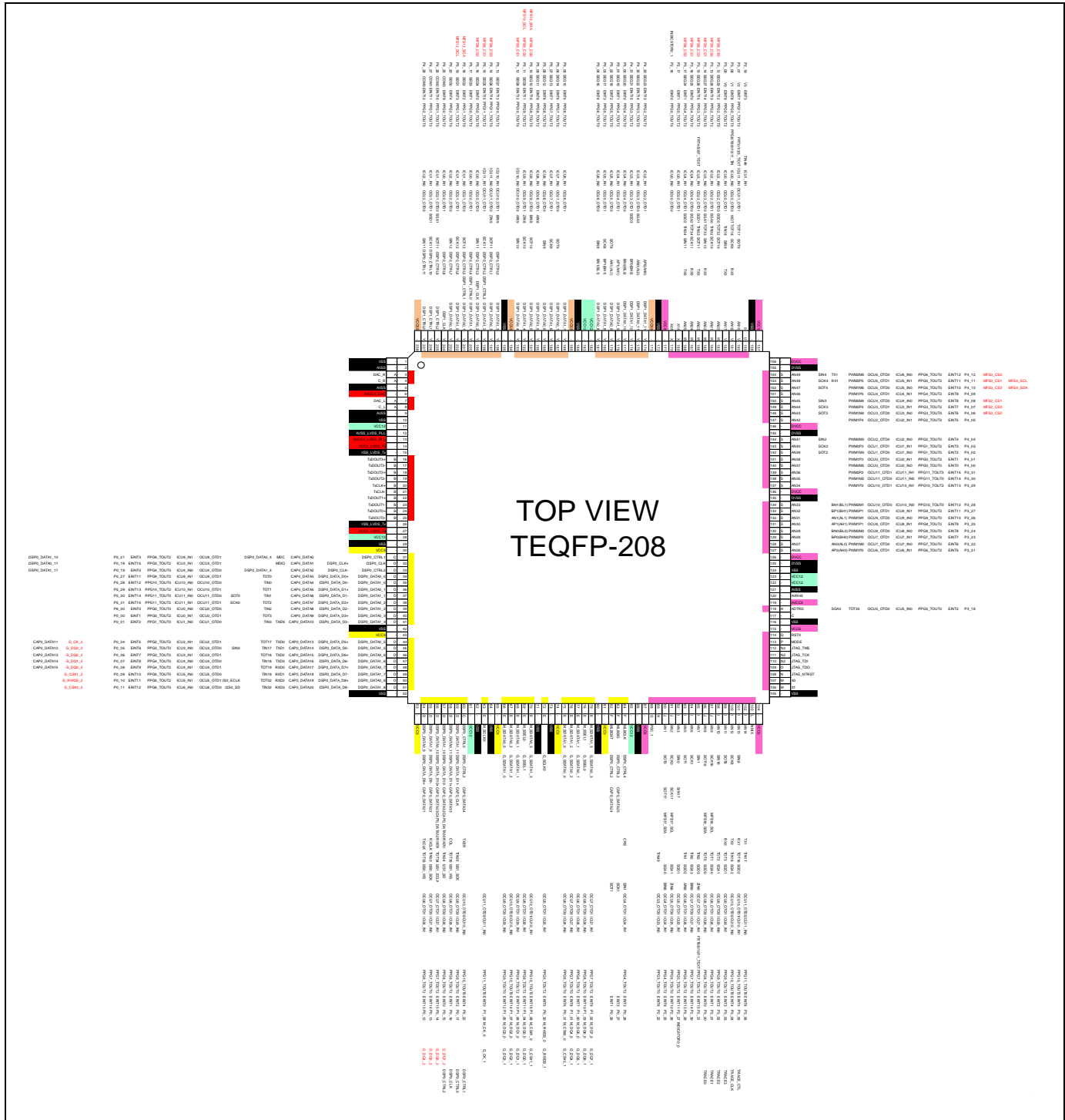
### Figure 4-8: TEQFP-216 (S6J32KELxx)



**Notes:**

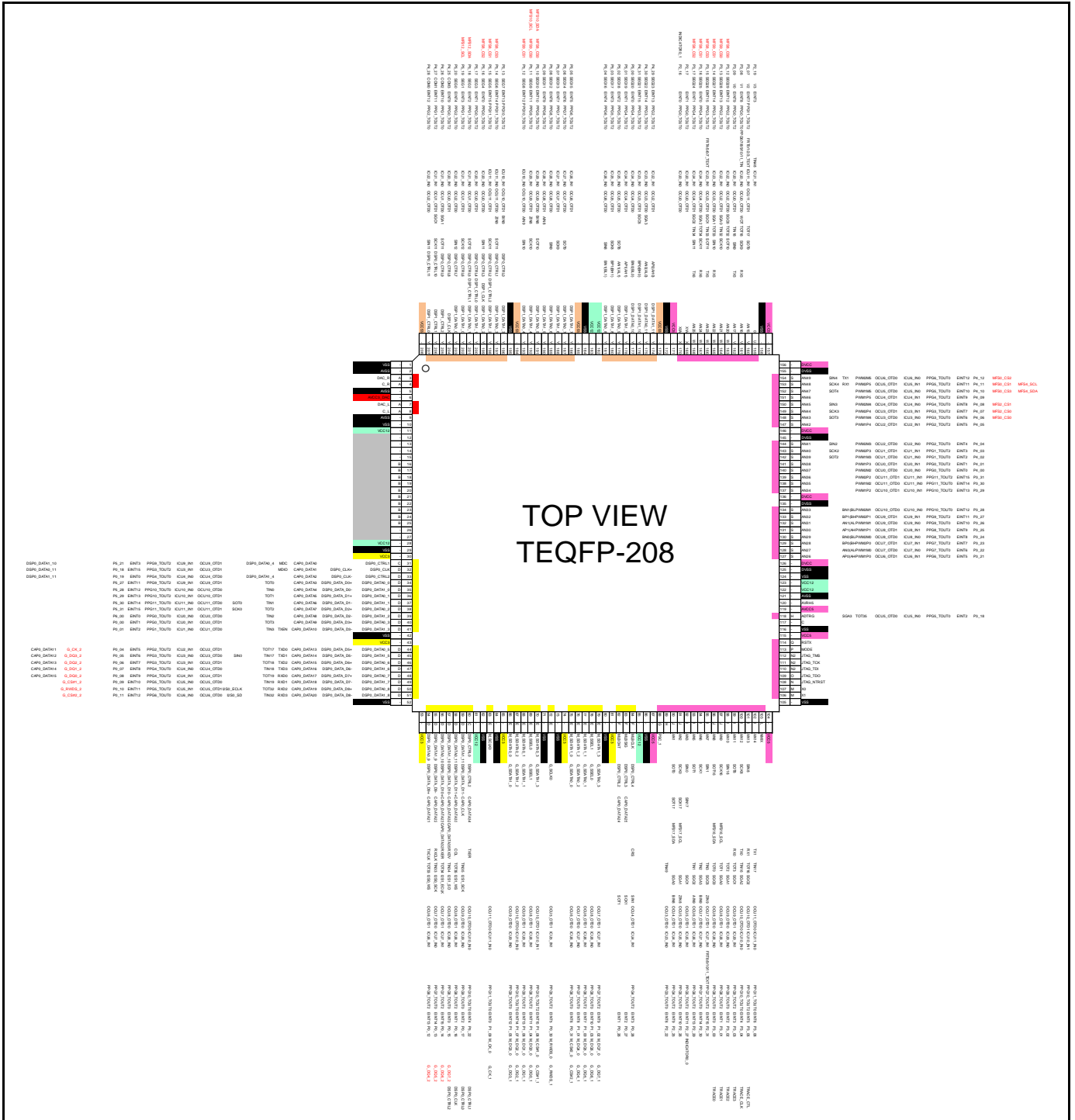
- The pins highlighted in "red" font are not supported for products with revision A and C.
- Any function at the following pins is not supported.

| Package Pin Number | Condition on PCB |
|--------------------|------------------|
| 2, 5, 6, 9         | Set to ground    |
| 3, 4, 7, 8         | Open             |

**4.1.2 TEQFP-208 Pin Assignment**
**Figure 4-9: TEQFP-208 (S6J328CKxx, S6J329CKxx, S6J32MEKxx)**

**Note:**

- The pins highlighted in "red" font are not supported for products with revision A and C.

**Figure 4-10: TEQFP-208 (S6J327CKxx)**

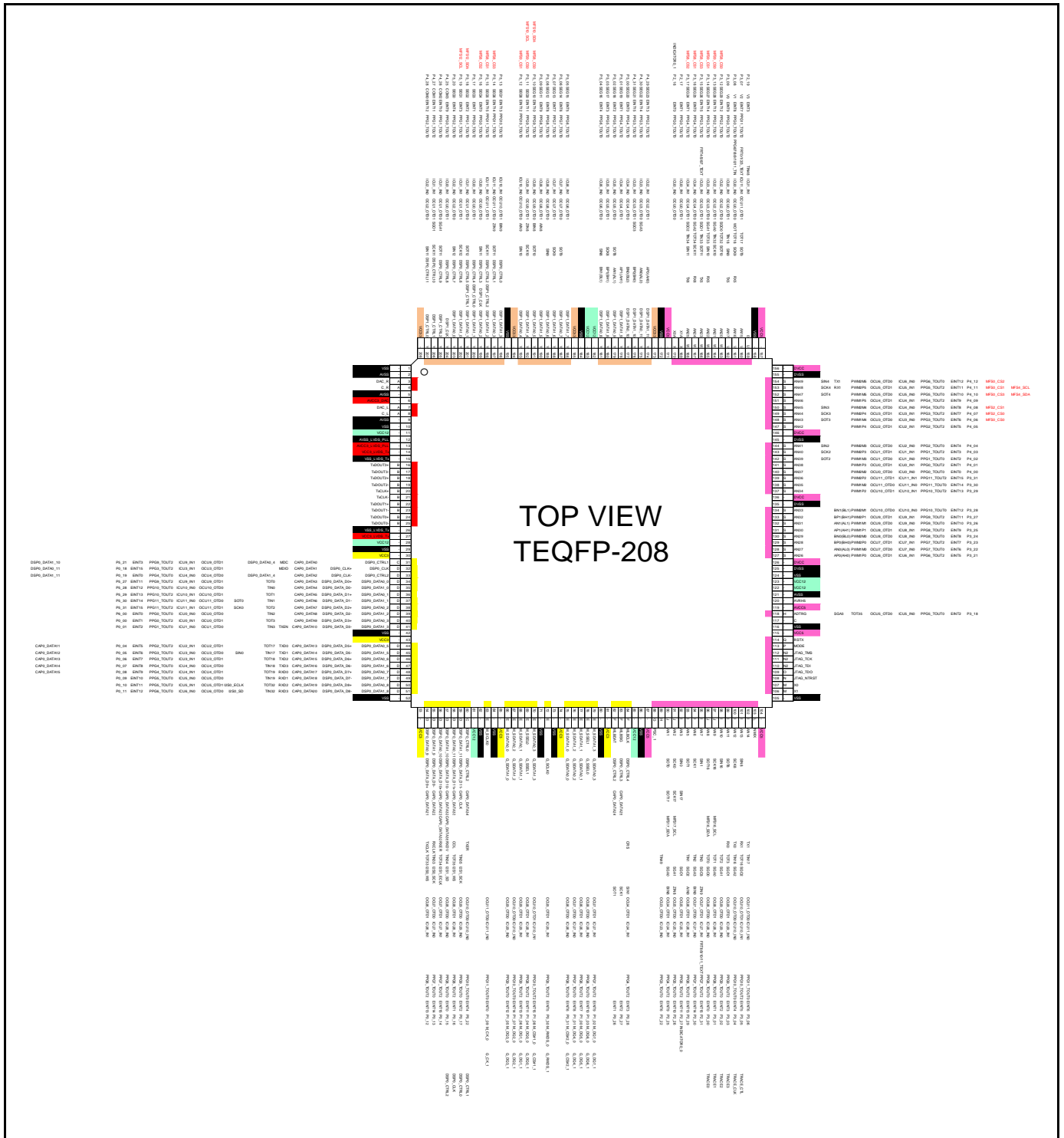


**Notes:**

- The pins highlighted in "red" character are not supported for products with revision A and C.
- Any function at the following pins is not supported.

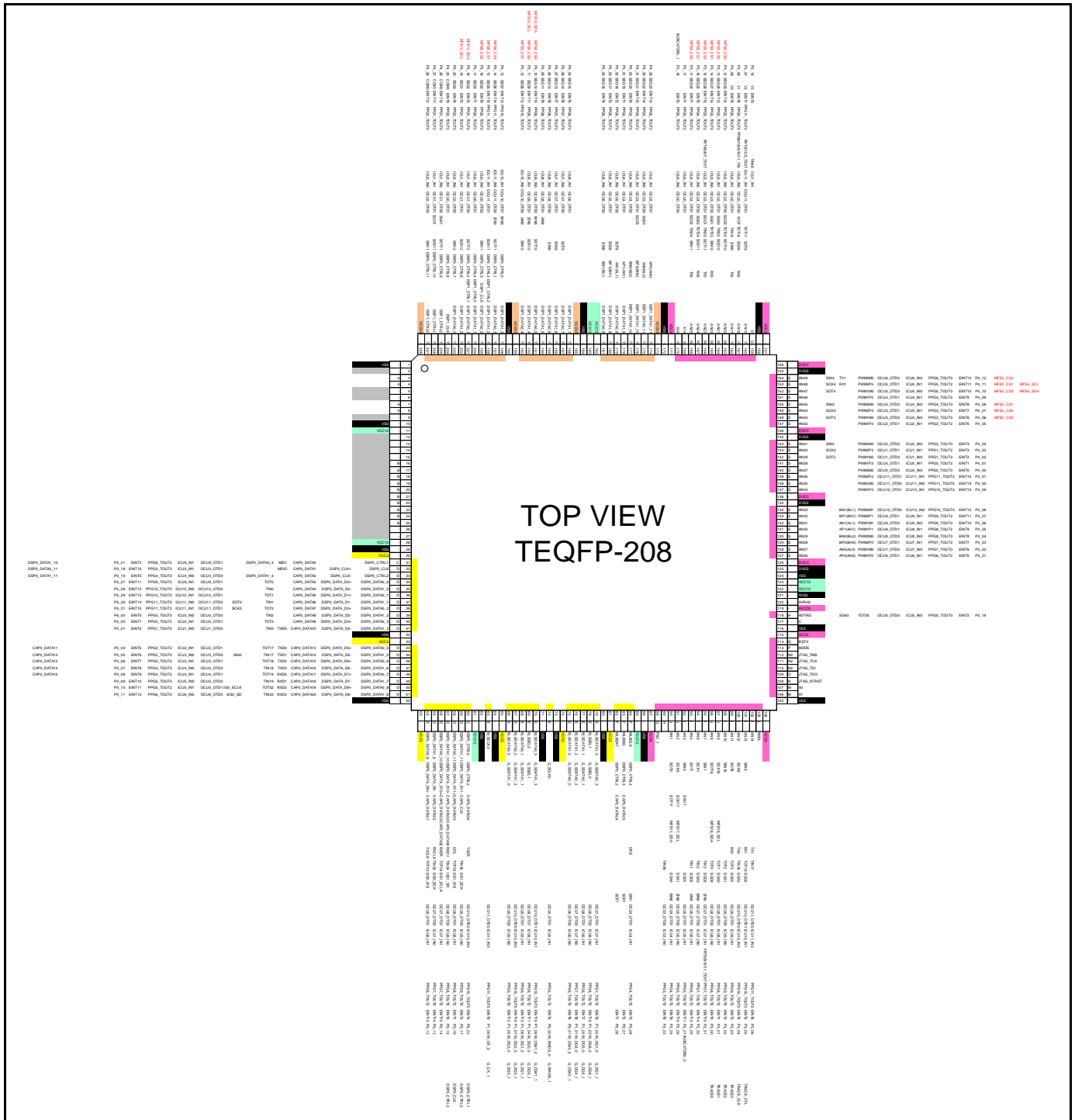
|                                       |  |
|---------------------------------------|--|
| <b>Package Pin Number</b><br>12 to 27 | <b>Condition on PCB</b><br>Set to ground |
|---------------------------------------|--|

**Figure 4-11: TEQFP-208 (S6J326CKxx, S6J32LEKxx)**



**Note:**  
 – The pins highlighted in "red" font are not supported for products with revision A and C.

Figure 4-12: TEQFP-208 (S6J325CKxx, S6J32NEKxx)

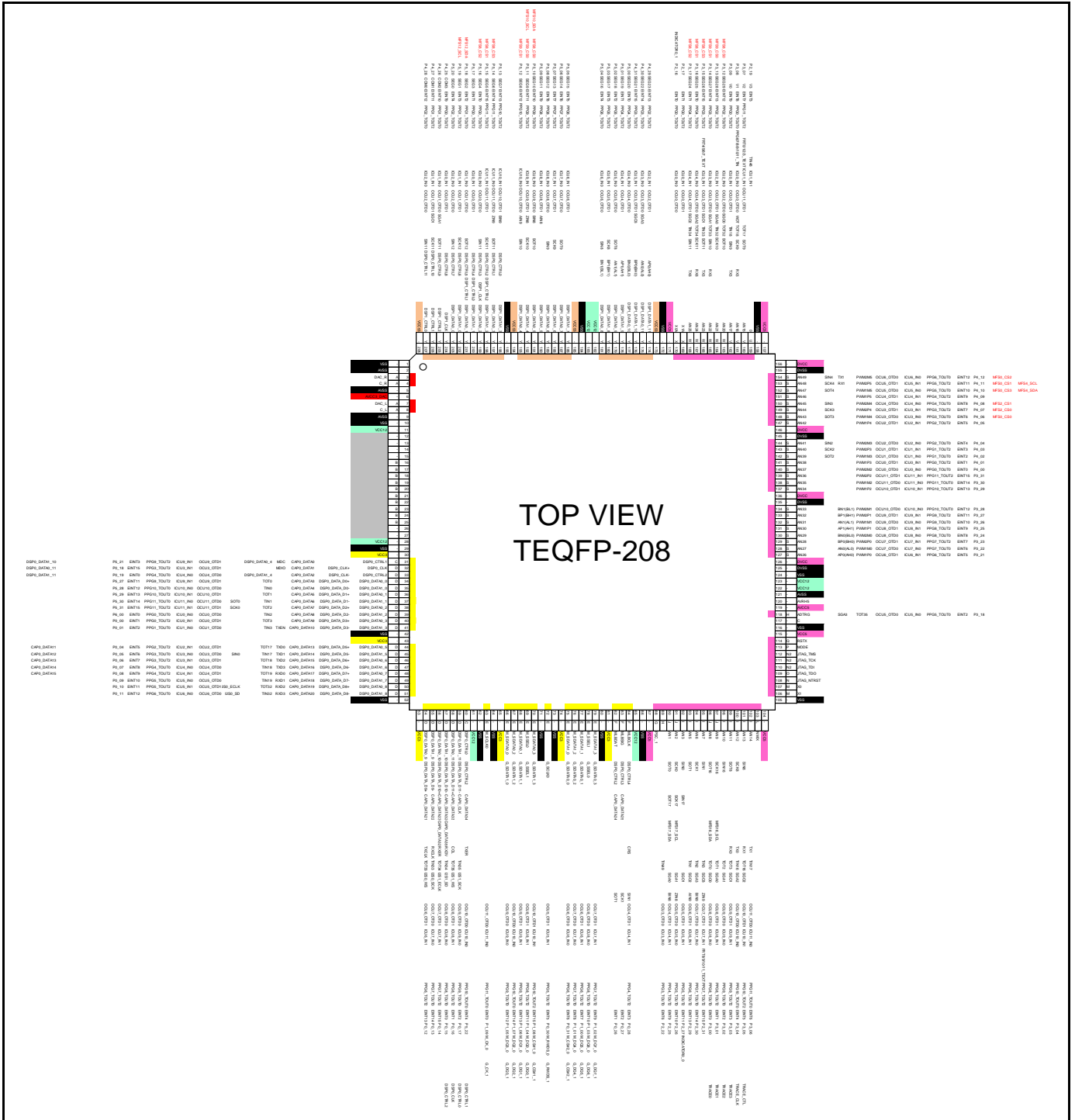


**Notes:**

- The pins highlighted in "red" font are not supported for products with revision A and C.
- Any function at the following pins is not supported.

| Package Pin Number       | Condition on PCB |
|--------------------------|------------------|
| 2, 5, 6, 9, and 12 to 27 | Set to ground    |
| 3, 4, 7, 8               | Open             |

Figure 4-13: TEQFP-208 (S6J324CKxx)



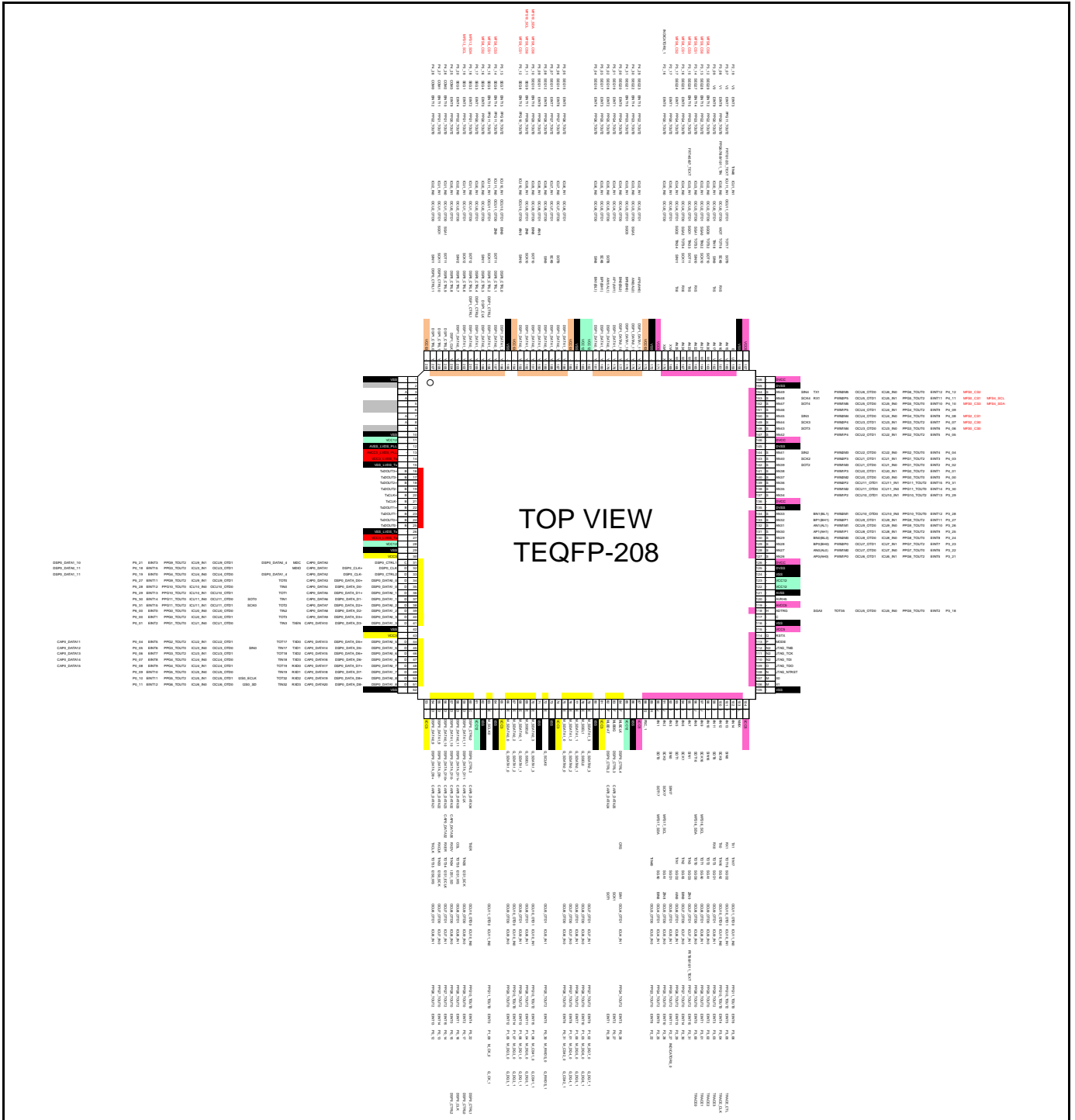
**Notes:**

- The pins highlighted in "red" font are not supported for products with revision A and C.
- Any function at the following pins is not supported.

| Package Pin Number | Condition on PCB |
|--------------------|------------------|
| 12 to 27           | Set to ground    |



Figure 4-15: TEQFP-208 (S6J32KEKxx)

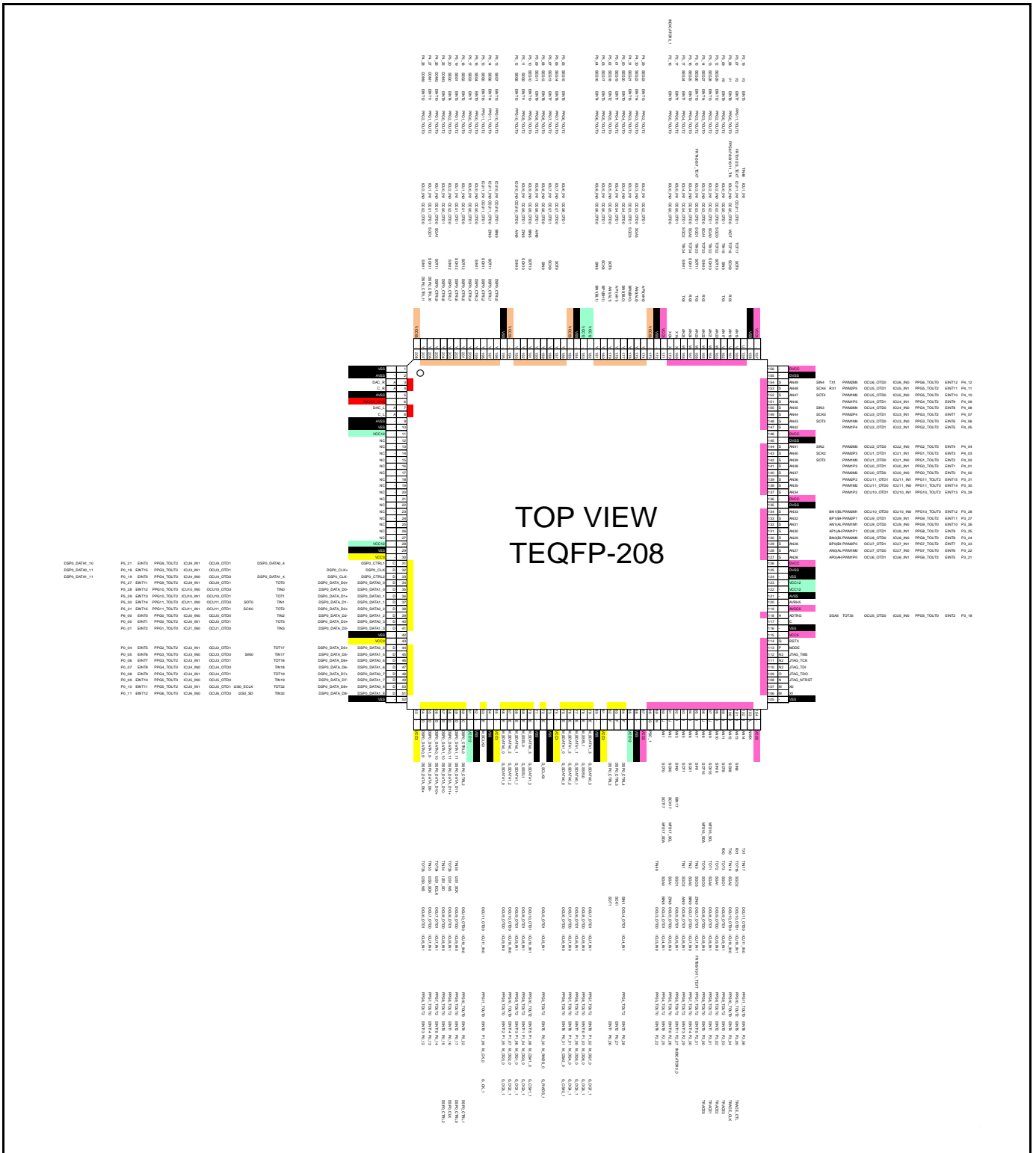


**Notes:**

- The pins highlighted in "red" font are not supported for products with revision A and C.
- Any function at the following pins is not supported.

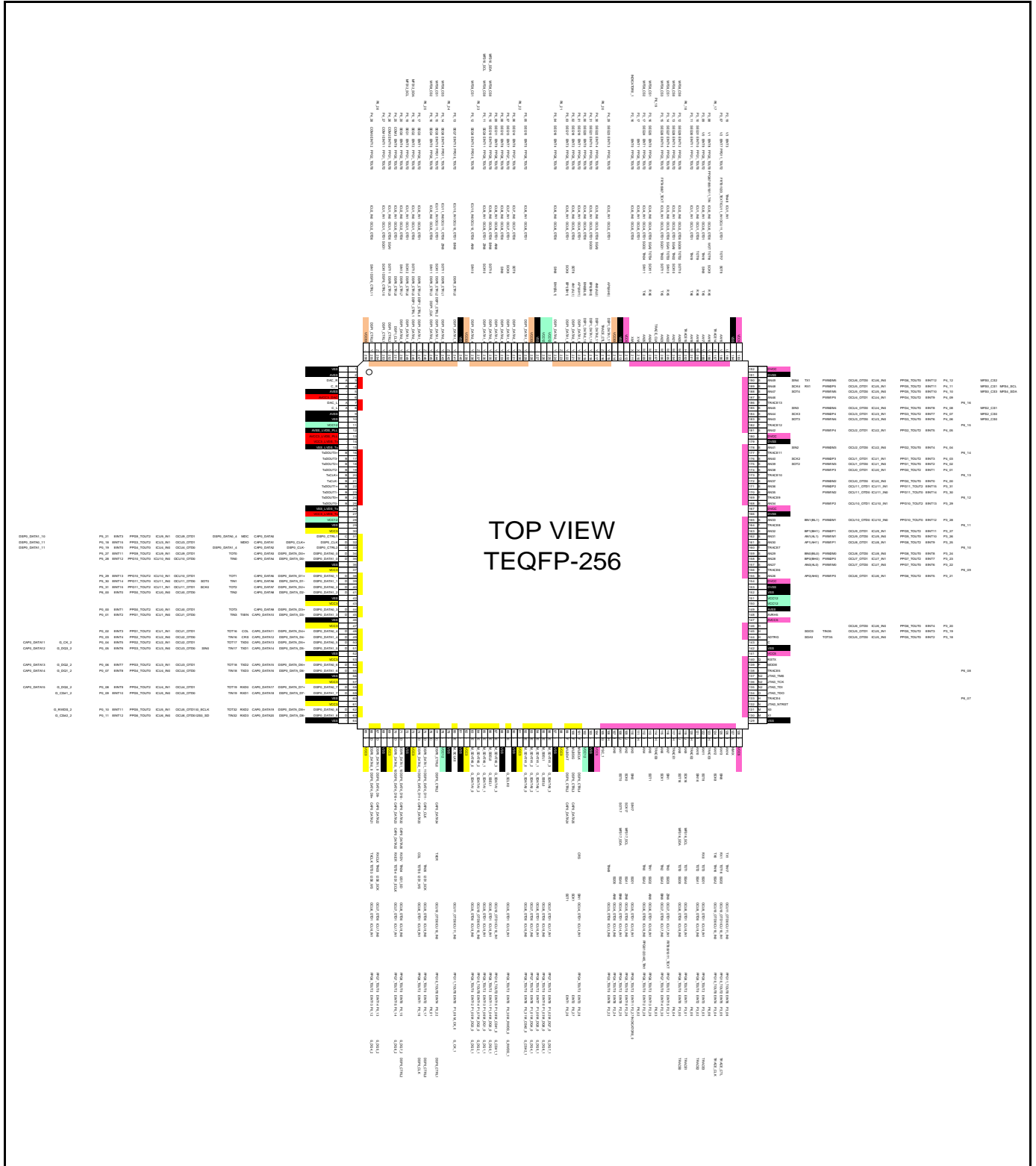
| Package Pin Number | Condition on PCB |
|--------------------|------------------|
| 2, 5, 6, 9         | Set to ground    |
| 3, 4, 7, 8         | Open             |

**Figure 4-16: TEQFP-208 (S6J32xAKxx)**



4.1.3 TEQPF-256 Pin Assignment

Figure 4-17: TEQFP-256



4.2 Package Dimensions

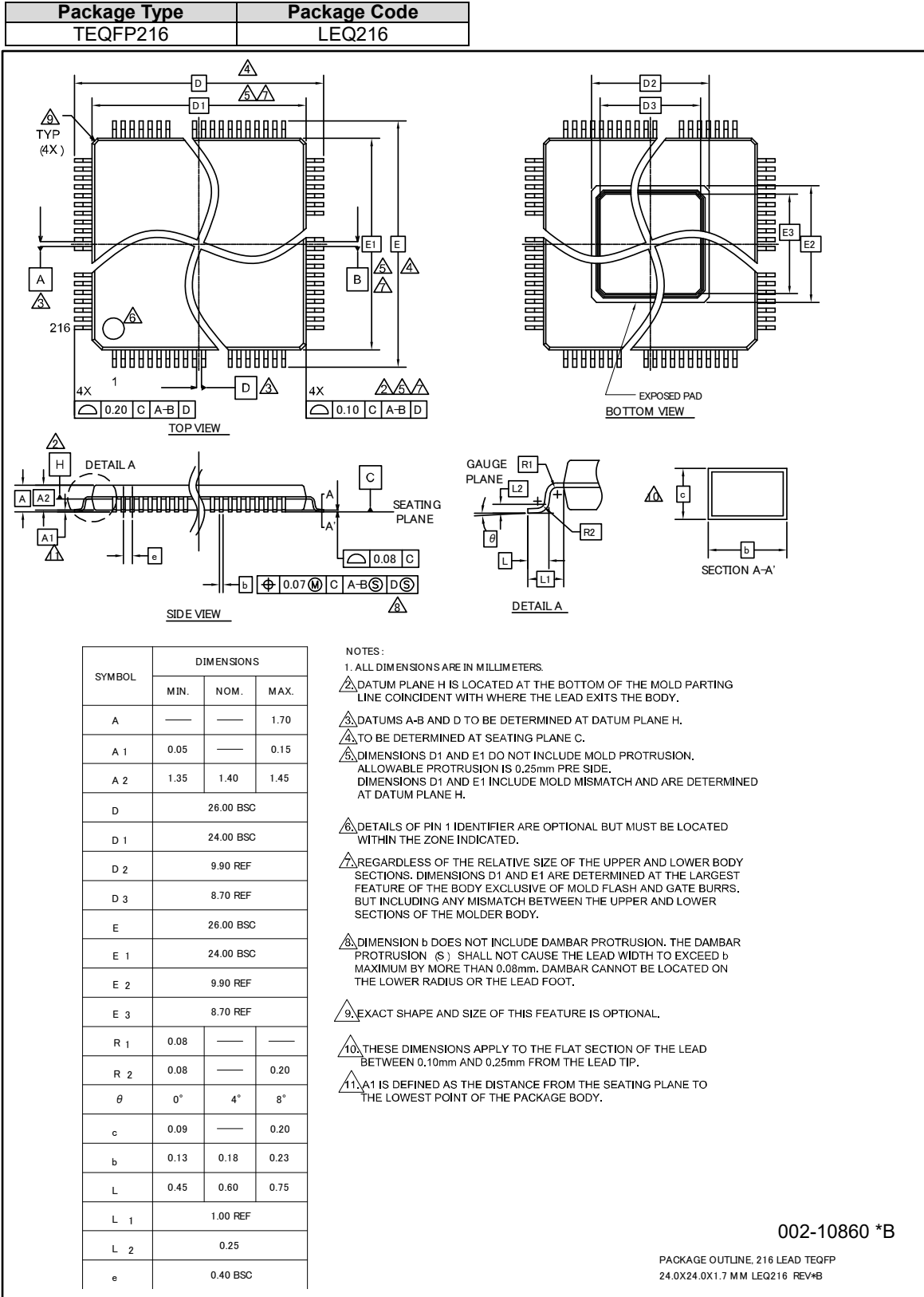
| Function Digit                  | TEQFP-216   | TEQFP-208   | TEQFO-256   |
|---------------------------------|-------------|-------------|-------------|
| 3, 4, 5, 6, 7, 8, 9, K, L, M, N | Figure 4-18 | Figure 4-19 | Figure 4-21 |
| B                               |             | Figure 4-20 | -           |

**Note:**

- Same size is specified for MIN, NOM, MAX, then it should be regarded as maximum size.

4.2.1 TEQFP216

Figure 4-18 LEQ216



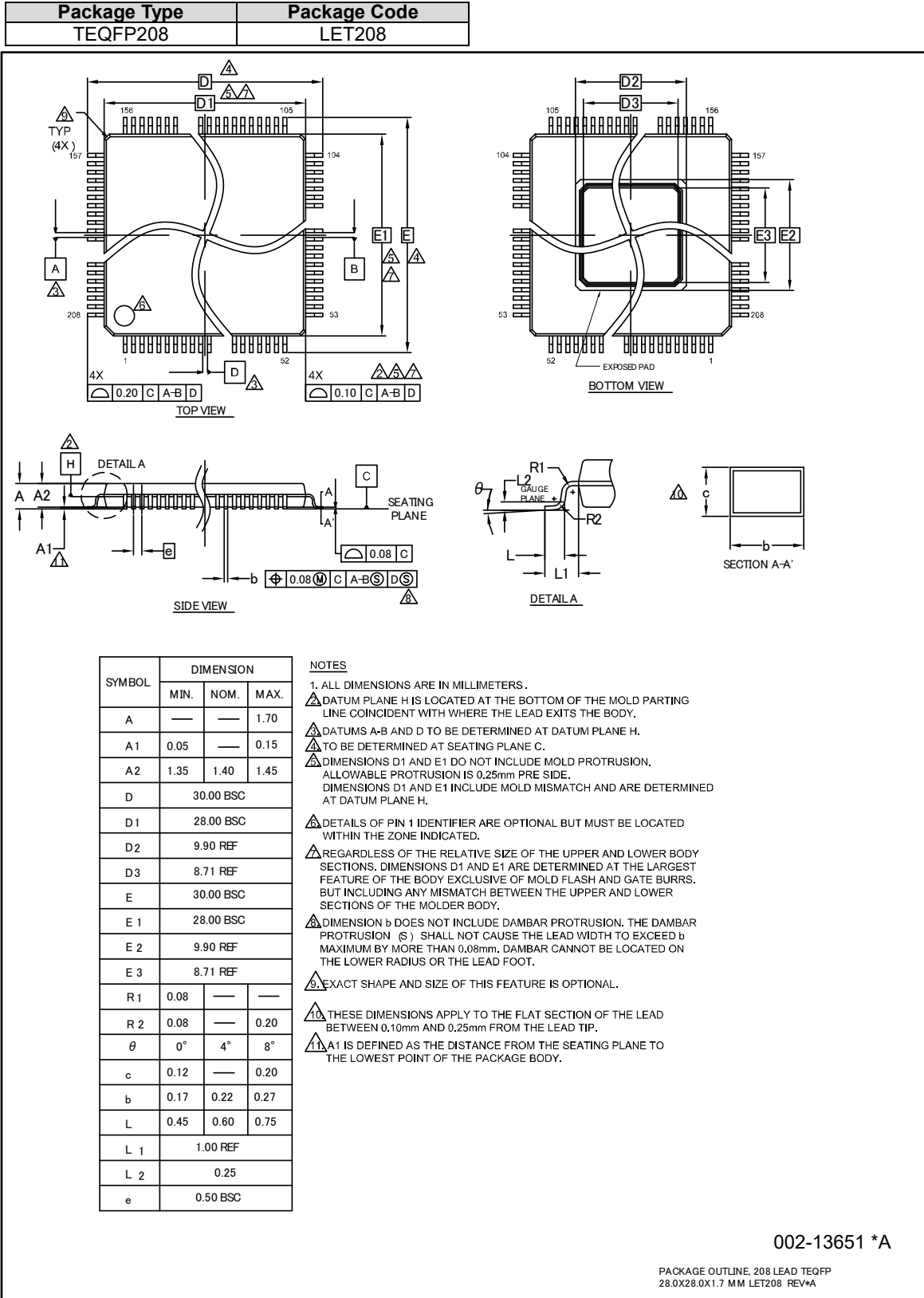
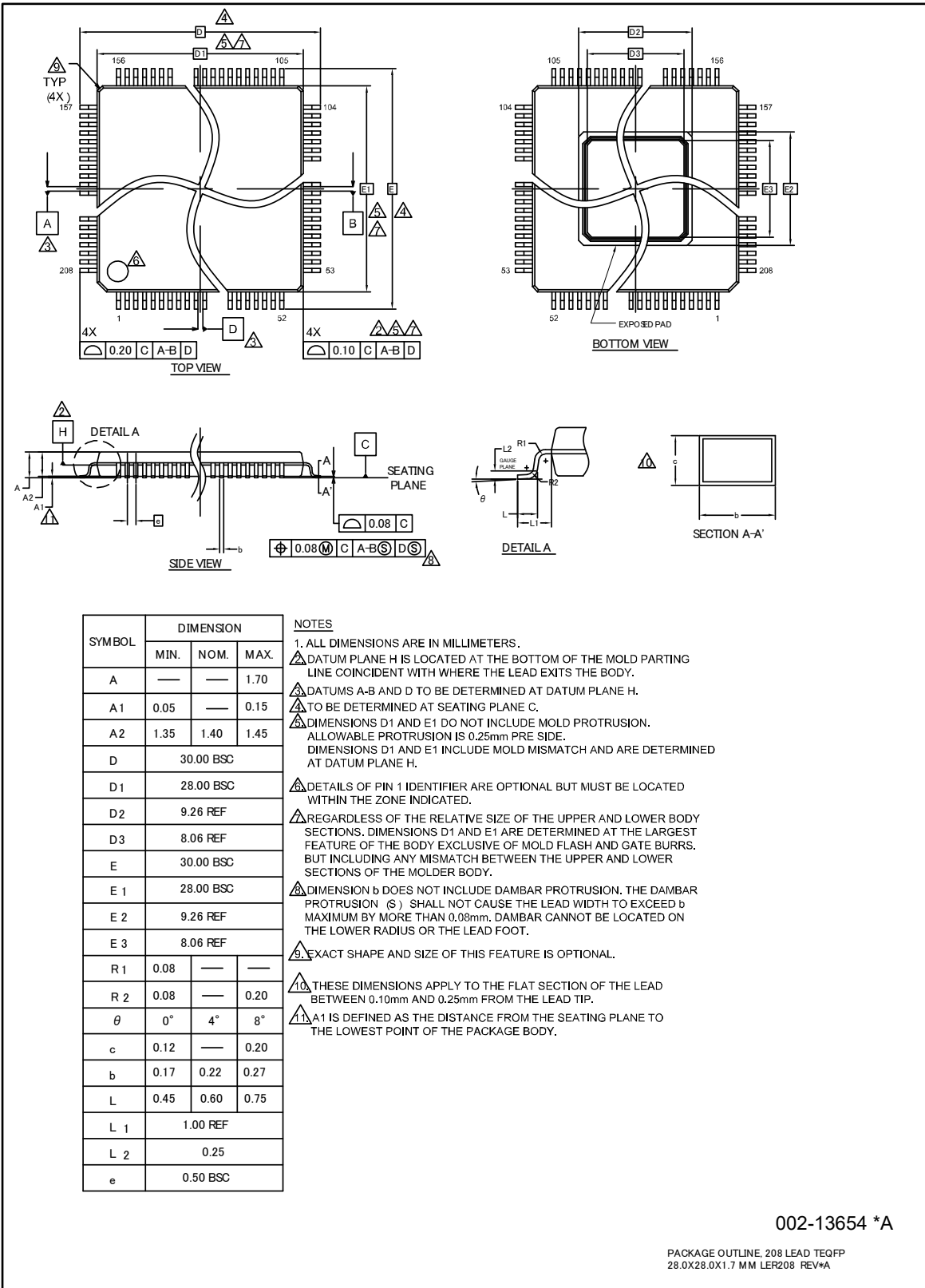
**4.2.2 TEQFP208**
**Figure 4-19: LET208**


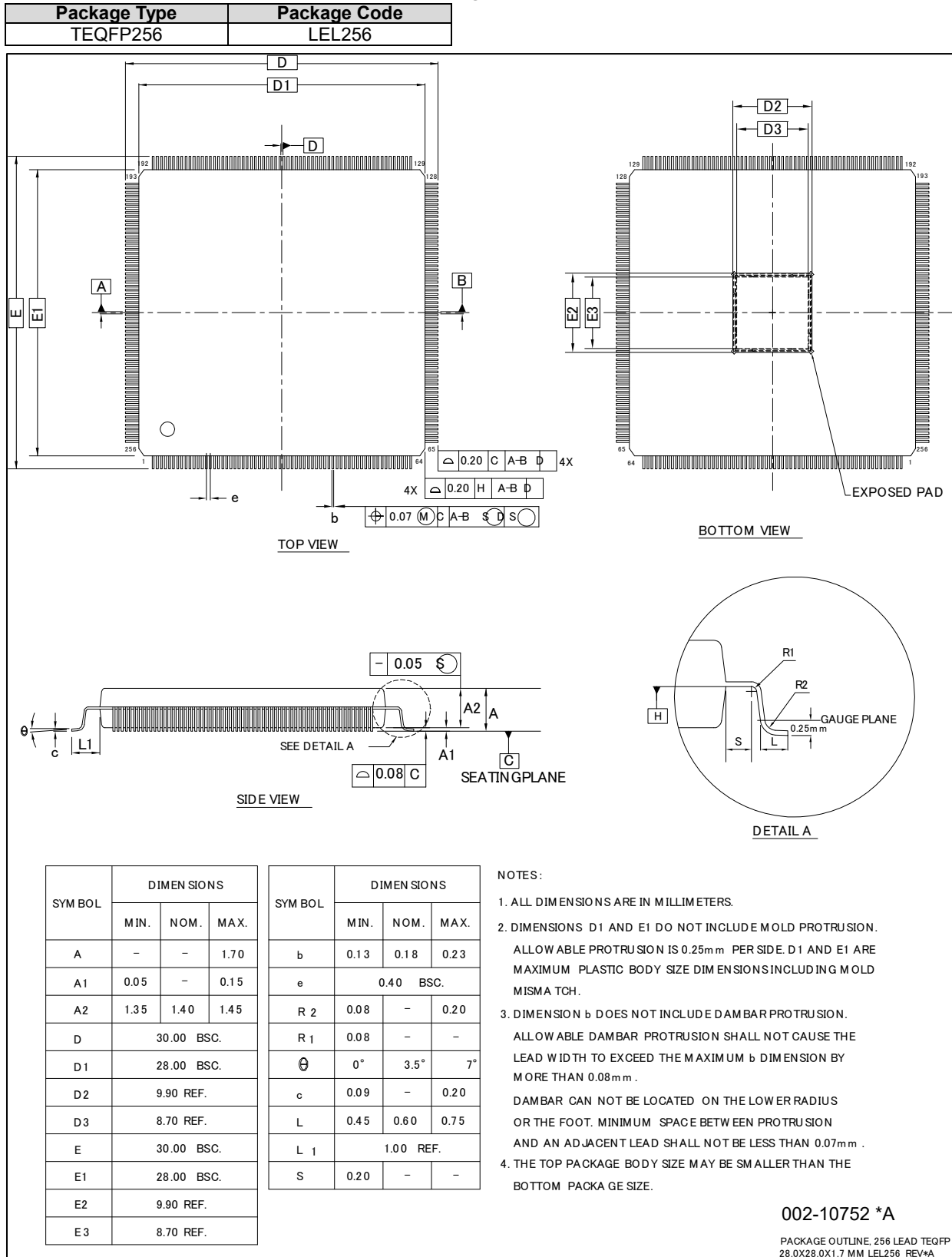
Figure 4-20: LER208

| Package Type | Package Code |
|--------------|--------------|
| TEQFP208     | LER208       |



002-13654 \*A

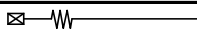
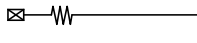
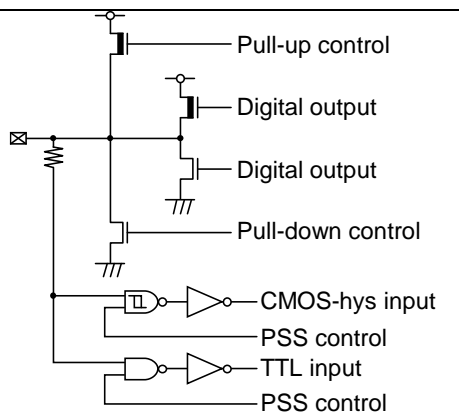
PACKAGE OUTLINE, 208 LEAD TEQFP  
28.0X28.0X1.7 MM LER208 REV\*A

**4.2.3 TEQFP256**
**Figure 4-21:LEL256**


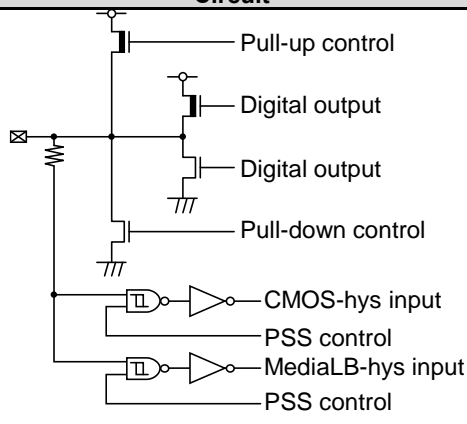
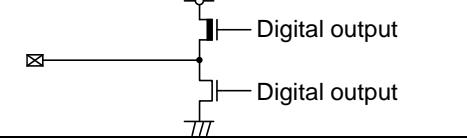
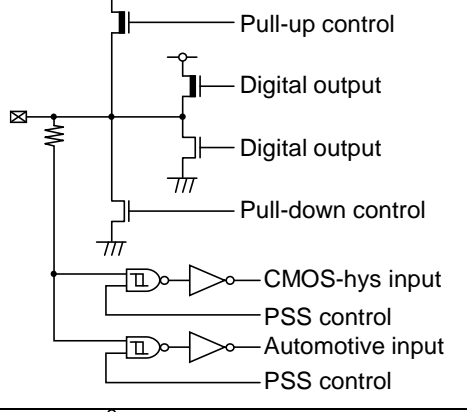
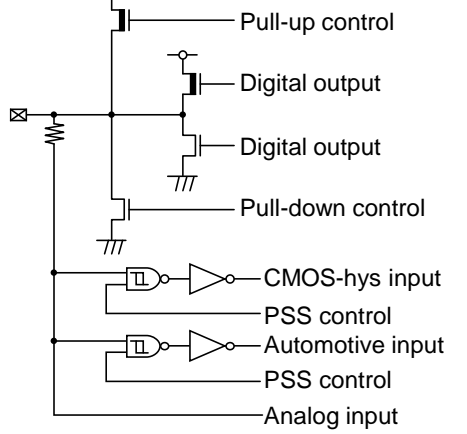
## 5. I/O Circuit Type

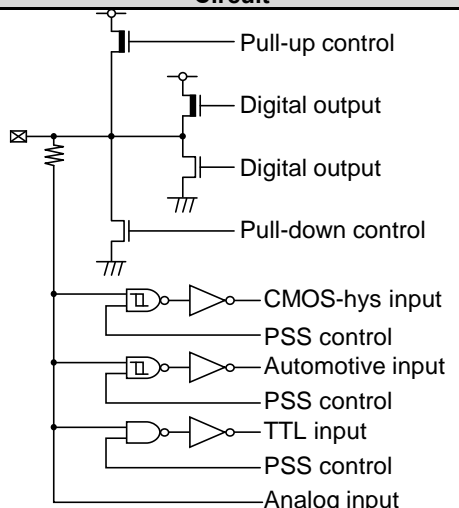
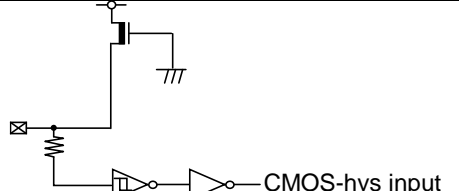
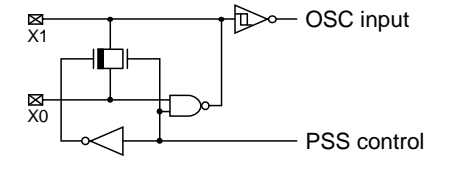
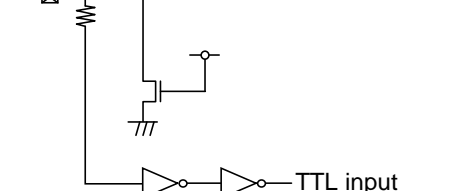
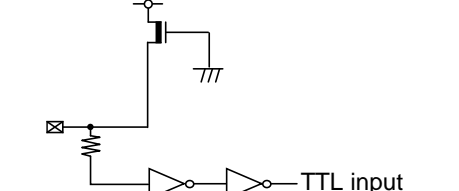
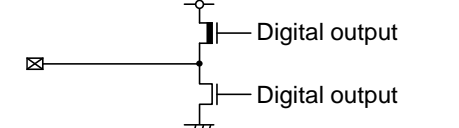
### 5.1 I/O Circuit Type

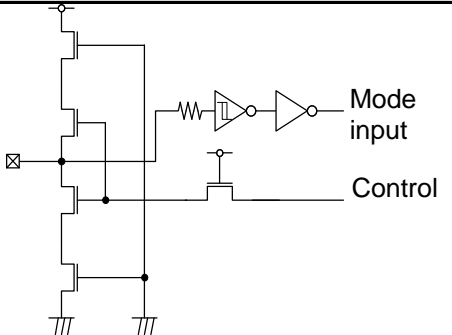
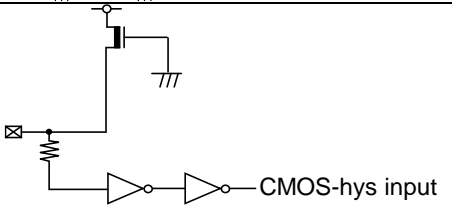
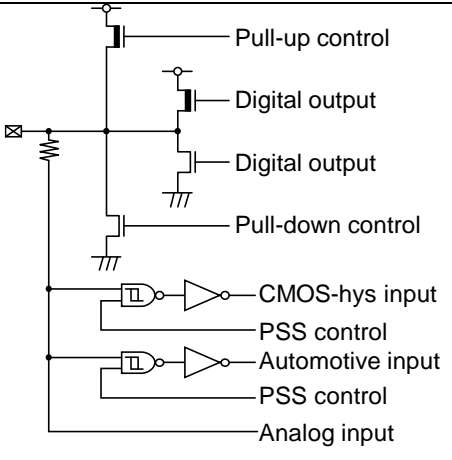
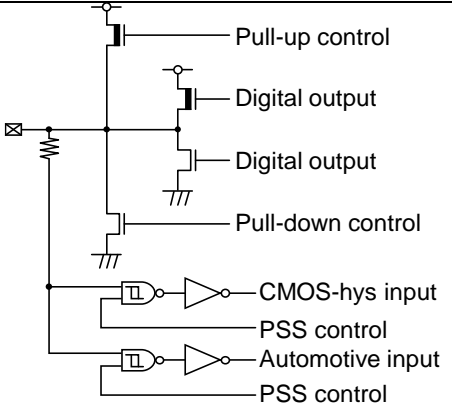
This section explains I/O circuit types.

| Type | Circuit   | Remark   |
|------|---|--|
| A    |  Analog output | <ul style="list-style-type: none"> <li>- Analog output (3 V)</li> <li>- Audio DAC output</li> </ul>  |
| B    |  Analog output | <ul style="list-style-type: none"> <li>- Analog output (3 V)</li> <li>- LVDS output</li> </ul>   |
| C    |               | <ul style="list-style-type: none"> <li>- General-purpose I/O port</li> <li>- Output 2 mA, 5 mA, 10 mA or 20 mA selectable</li> <li>- 33 kΩ with pull-up resistor control</li> <li>- 33 kΩ with pull-down resistor control</li> <li>- CMOS hysteresis input</li> <li>- TTL input</li> </ul> |

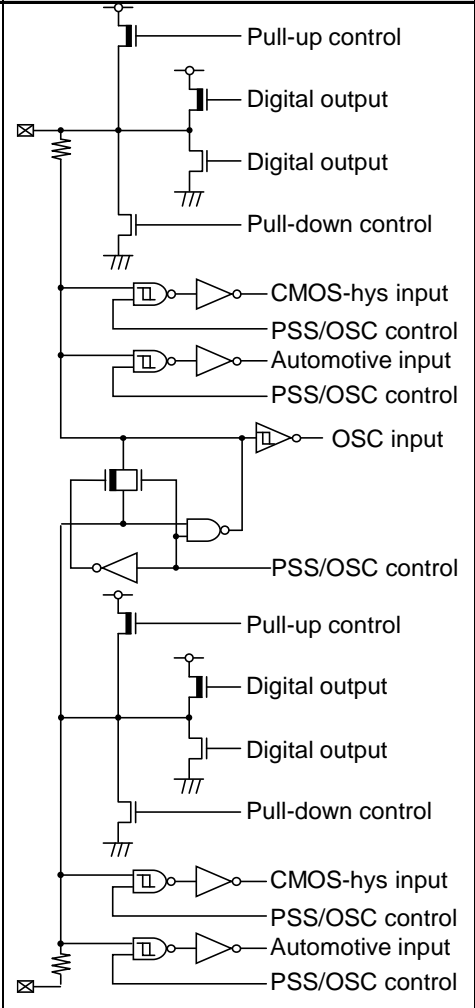
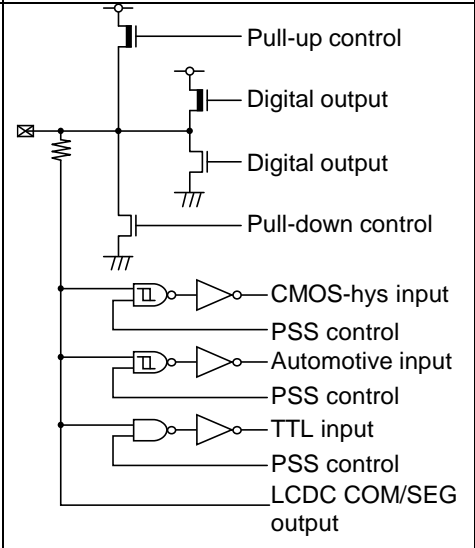
| Type | Circuit  | Remark  |
|------|--|---|
| D    | <p>The diagram for Type D shows two differential I/O ports. Each port consists of a pull-up control (PMOS), a pull-down control (NMOS), two digital outputs (PMOS and NMOS), a CMOS-hys input (with a hysteresis loop), a PSS control (with a PMOS), and a TTL input (with an NMOS). A central Control Logic block is connected to the ports and provides RSDS mode control, RSDS output data, and RSDS output enable signals.</p> | <ul style="list-style-type: none"> <li>- General-purpose I/O port</li> <li>- Output 2 mA, 5 mA, 10 mA or 20 mA selectable</li> <li>- 33 kΩ with pull-up resistor control</li> <li>- 33 kΩ with pull-down resistor control</li> <li>- CMOS hysteresis input</li> <li>- TTL input</li> <li>- RSDS differential output data</li> </ul> |
| E    | <p>The diagram for Type E shows a single I/O port. It includes a pull-up control (PMOS), a pull-down control (NMOS), two digital outputs (PMOS and NMOS), a CMOS-hys input (with a hysteresis loop), a PSS control (with a PMOS), and a TTL input (with an NMOS).</p>  | <ul style="list-style-type: none"> <li>- General-purpose I/O port</li> <li>- Output 2 mA, 5 mA or 10 mA selectable</li> <li>- 33 kΩ with pull-up resistor control</li> <li>- 33 kΩ with pull-down resistor control</li> <li>- CMOS hysteresis input</li> <li>- TTL input</li> </ul>   |

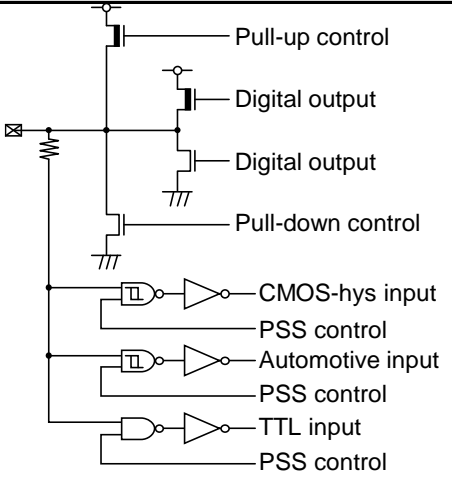
| Type | Circuit   | Remark   |
|------|---|--|
| F    |    | <ul style="list-style-type: none"> <li>- General-purpose I/O port</li> <li>- Output 2 mA, 5 mA, 6 mA or 10 mA selectable</li> <li>- 33 kΩ with pull-up resistor control</li> <li>- 33 kΩ with pull-down resistor control</li> <li>- CMOS hysteresis input</li> <li>- MediaLB level hysteresis input</li> </ul>         |
| G    |    | <ul style="list-style-type: none"> <li>- External 1.2 V regulator control</li> <li>- Output 2 mA</li> </ul>  |
| H    |   | <ul style="list-style-type: none"> <li>- General-purpose I/O port</li> <li>- Output 1 mA, 2 mA or 5 mA selectable</li> <li>- 50 kΩ with pull-up resistor control</li> <li>- 50 kΩ with pull-down resistor control</li> <li>- CMOS hysteresis input</li> <li>- Automotive hysteresis input</li> </ul>                   |
| I    |  | <ul style="list-style-type: none"> <li>- General-purpose I/O port with analog input</li> <li>- Output 1 mA, 2 mA or 5 mA selectable</li> <li>- 50 kΩ with pull-up resistor control</li> <li>- 50 kΩ with pull-down resistor control</li> <li>- CMOS hysteresis input</li> <li>- Automotive hysteresis input</li> </ul> |

| Type | Circuit   | Remark  |
|------|---|---|
| J    |  <p>           Pull-up control<br/>           Digital output<br/>           Digital output<br/>           Pull-down control<br/>           CMOS-hys input<br/>           PSS control<br/>           Automotive input<br/>           PSS control<br/>           TTL input<br/>           PSS control<br/>           Analog input         </p> | <ul style="list-style-type: none"> <li>- General-purpose I/O port with analog input</li> <li>- Output 1 mA, 2 mA, 3 mA(I<sup>2</sup>C) or 5 mA selectable</li> <li>- 50 kΩ with pull-up resistor control</li> <li>- 50 kΩ with pull-down resistor control</li> <li>- CMOS hysteresis input</li> <li>- Automotive hysteresis input</li> <li>- TTL input</li> </ul> |
| L    |  <p>CMOS-hys input</p>   | <ul style="list-style-type: none"> <li>- 50 kΩ with pull-up</li> <li>- CMOS hysteresis input</li> </ul>   |
| M    |  <p>OSC input<br/>PSS control</p>  | <ul style="list-style-type: none"> <li>- Main oscillation I/O</li> </ul>  |
| N    |  <p>TTL input</p>  | <ul style="list-style-type: none"> <li>- JTAG_NTRST</li> <li>- 50 kΩ with pull-down</li> <li>- TTL input</li> </ul>   |
| N2   |  <p>TTL input</p>  | <ul style="list-style-type: none"> <li>- JTAG_TDI/TMS/TCK</li> <li>- 50 kΩ with pull-up</li> <li>- TTL input</li> </ul>   |
| O    |  <p>Digital output<br/>Digital output</p>  | <ul style="list-style-type: none"> <li>- JTAG_TDO</li> <li>- Output 5 mA</li> </ul>   |

| Type | Circuit   | Remark  |
|------|---|---|
| P    |    | <ul style="list-style-type: none"> <li>- Mode input</li> <li>- CMOS hysteresis input</li> </ul>   |
| Q    |    | <ul style="list-style-type: none"> <li>- CMOS hysteresis input</li> <li>- 50 kΩ with pull-up</li> </ul>   |
| S    |   | <ul style="list-style-type: none"> <li>- General-purpose I/O port with analog input</li> <li>- Output 1 mA, 2 mA, 5 mA or 30 mA selectable</li> <li>- 50 kΩ with pull-up resistor control</li> <li>- 50 kΩ with pull-down resistor control</li> <li>- CMOS hysteresis input</li> <li>- Automotive hysteresis input</li> </ul> |
| T    |  | <ul style="list-style-type: none"> <li>- General-purpose I/O port</li> <li>- Output 1 mA, 2 mA, 5 mA or 30 mA selectable</li> <li>- 50 kΩ with pull-up resistor control</li> <li>- 50 kΩ with pull-down resistor control</li> <li>- CMOS hysteresis input</li> <li>- Automotive hysteresis input</li> </ul>                   |

| Type | Circuit | Remark  |
|------|---------|---|
| U    |         | <ul style="list-style-type: none"> <li>- General-purpose input port with LCDC reference voltage input</li> <li>- 50 kΩ with pull-up resistor control</li> <li>- 50 kΩ with pull-down resistor control</li> <li>- CMOS hysteresis input</li> <li>- Automotive hysteresis input</li> </ul>  |
| V    |         | <ul style="list-style-type: none"> <li>- General-purpose I/O port with analog input and LCDC reference voltage input</li> <li>- Output 1 mA, 2 mA or 5 mA selectable</li> <li>- 50 kΩ with pull-up resistor control</li> <li>- 50 kΩ with pull-down resistor control</li> <li>- CMOS hysteresis input</li> <li>- Automotive hysteresis input</li> </ul> |
| W    |         | <ul style="list-style-type: none"> <li>- General-purpose I/O port with analog input and LCDC COM/SEG output</li> <li>- Output 1 mA, 2 mA or 5 mA selectable</li> <li>- 50 kΩ with pull-up resistor control</li> <li>- 50 kΩ with pull-down resistor control</li> <li>- CMOS hysteresis input</li> <li>- Automotive hysteresis input</li> </ul>          |

| Type | Circuit   | Remark   |
|------|---|--|
| X    |   | <ul style="list-style-type: none"> <li>- Sub oscillation I/O shared General-purpose I/O port</li> <li>- Output 1 mA, 2 mA or 5 mA selectable</li> <li>- 50 kΩ with pull-up resistor control</li> <li>- 50 kΩ with pull-down resistor control</li> <li>- CMOS hysteresis input</li> <li>- Automotive hysteresis input</li> </ul>                    |
| Y    |  | <ul style="list-style-type: none"> <li>- General-purpose I/O port with LCDC COM/SEG output</li> <li>- Output 1 mA, 2 mA or 5 mA selectable</li> <li>- 50 kΩ with pull-up resistor control</li> <li>- 50 kΩ with pull-down resistor control</li> <li>- CMOS hysteresis input</li> <li>- Automotive hysteresis input</li> <li>- TTL input</li> </ul> |

| Type | Circuit   | Remark  |
|------|---|---|
| Z    |  <p>The circuit diagram for Type Z shows a central node connected to a pull-up resistor and a pull-down resistor. Above the node is a PMOS transistor controlled by 'Pull-up control'. Below the node is an NMOS transistor controlled by 'Pull-down control'. Two NMOS transistors are connected to the node, labeled 'Digital output'. Below the node, there are three input configurations: 1) 'CMOS-hys input' with a PMOS transistor and an inverter, controlled by 'PSS control'; 2) 'Automotive input' with a PMOS transistor and an inverter, controlled by 'PSS control'; 3) 'TTL input' with a PMOS transistor and an inverter, controlled by 'PSS control'.</p> | <ul style="list-style-type: none"> <li>- General-purpose I/O port</li> <li>- Output 1 mA, 2 mA or 5 mA selectable</li> <li>- 50 kΩ with pull-up resistor control</li> <li>- 50 kΩ with pull-down resistor control</li> <li>- CMOS hysteresis input</li> <li>- Automotive hysteresis input</li> <li>- TTL input</li> </ul> |

**5.2 Note**

Alphabets, which show the I/O circuit type, are described with the corresponding pin number in the pin assignment figure.

## 6. Port Description

### 6.1 Port Description List

The table shows the port function of description which is supported. The port function which is not described in the table is not supported for the product.

| Port Name      | Description                                     | Package Pin Number   |  | Remark |
|----------------|---|--|--|--------|
|                |   | TEQFP208   | TEQFP216   |        |
| VCC12          | +1.2-V power supply pin                         | 11, 28, 61,<br>85, 122,<br>123, 182,<br>183  | 11, 28, 63,<br>87, 128, 129,<br>190, 191   |        |
| VCC5           | +5.0-V power supply pin                         | 87, 104,<br>115, 157,<br>171   | 89, 108, 119,<br>163, 179  |        |
| VCC3           | +3.3-V power supply pin                         | 30, 43, 53,<br>65, 74, 81  | 30, 43, 55,<br>67, 76, 83  |        |
| VCC53          | +3.3 V/+5.0 V selection power supply pin        | 173, 185,<br>194, 208  | 181, 193,<br>202, 216  |        |
| VCC3_LVDS_Tx   | LVDS Tx power supply pin                        | 14, 27   | 14, 27   |        |
| VSS            | GND   | 1, 10, 29,<br>42, 52, 62,<br>64, 71, 73,<br>80, 86, 105,<br>116, 124,<br>158, 172,<br>184, 195 | 1, 10, 29, 42,<br>54, 64, 66,<br>73, 75, 82,<br>88, 109, 120,<br>130, 164,<br>180, 192,<br>203 |        |
| VSS_LVDS_Tx    | LVDS Tx GND                                     | 15, 26   | 15, 26   |        |
| AVCC3_DAC      | Audio DAC power supply pin                      | 6  | 6  |        |
| AVCC3_LVDS_PLL | LVDS PLL power supply pin                       | 13   | 13   |        |
| AVSS_LVDS_PLL  | LVDS PLL GND                                    | 12   | 12   |        |
| AVCC5          | A/D converter analog power supply pin           | 119  | 125  |        |
| AVRH5          | A/D converter upper limit reference voltage pin | 120  | 126  |        |
| AVSS           | A/D converter GND                               | 2, 5, 9, 121   | 2, 5, 9, 127   |        |
| DVCC           | SMC large current port power supply pin         | 126, 136,<br>146, 156  | 132, 142,<br>152, 162  |        |
| DVSS           | SMC large current port GND                      | 125, 135,<br>145, 155  | 131, 141,<br>151, 161  |        |
| X1             | Main clock oscillator output pin                | 106  | 110  |        |
| X0             | Main clock oscillator input pin                 | 107  | 111  |        |
| X1A            | Sub-clock oscillator output                     | 169  | 177  |        |
| X0A            | Sub-clock oscillator input                      | 170  | 178  |        |
| NMIX           | Non-maskable interrupt input pin                | 103  | 107  |        |
| RSTX           | External reset input pin                        | 114  | 118  |        |
| PSC_1          | External Power Supply Control pin               | 88   | 90   |        |
| MODE           | Mode Pin  | 113  | 117  |        |
| C              | External capacity connection output pin         | 117  | 121  |        |
| JTAG_NTRST     | JTAG test reset input pin                       | 108  | 112  |        |
| JTAG_TDO       | JTAG test data output pin                       | 109  | 113  |        |
| JTAG_TDI       | JTAG test data input pin                        | 110  | 114  |        |
| JTAG_TCK       | JTAG test clock input pin                       | 111  | 115  |        |
| JTAG_TMS       | JTAG test mode state input pin                  | 112  | 116  |        |
| TRACE0         | Trace data 0 output pin                         | 96   | 100  |        |
| TRACE1         | Trace data 1 output pin                         | 97   | 101  |        |

| Port Name | Description                              | Package Pin Number |          | Remark |
|-----------|--|--------------------|----------|--------|
|           |  | TEQFP208           | TEQFP216 |        |
| TRACE2    | Trace data 2 output pin                  | 98                 | 102      |        |
| TRACE3    | Trace data 3 output pin                  | 99                 | 103      |        |
| TRACE_CLK | Trace clock                              | 100                | 104      |        |
| TRACE_CTL | Trace control                            | 101                | 105      |        |
| ADTRG     | A/D converter external trigger input pin | 118                | 122      |        |
| AN0       | ADC Analog 0 input pin                   | -                  | 92       |        |
| AN1       | ADC Analog 1 input pin                   | 90                 | 93       |        |
| AN2       | ADC Analog 2 input pin                   | 91                 | 94       |        |
| AN3       | ADC Analog 3 input pin                   | 92                 | 95       |        |
| AN4       | ADC Analog 4 input pin                   | -                  | 96       |        |
| AN5       | ADC Analog 5 input pin                   | 93                 | 97       |        |
| AN6       | ADC Analog 6 input pin                   | 94                 | 98       |        |
| AN7       | ADC Analog 7 input pin                   | 95                 | 99       |        |
| AN8       | ADC Analog 8 input pin                   | 96                 | 100      |        |
| AN9       | ADC Analog 9 input pin                   | 97                 | 101      |        |
| AN10      | ADC Analog 10 input pin                  | 98                 | 102      |        |
| AN11      | ADC Analog 11 input pin                  | 99                 | 103      |        |
| AN12      | ADC Analog 12 input pin                  | 100                | 104      |        |
| AN13      | ADC Analog 13 input pin                  | 101                | 105      |        |
| AN14      | ADC Analog 14 input pin                  | 102                | 106      |        |
| AN15      | ADC Analog 15 input pin                  | 160                | 166      |        |
| AN16      | ADC Analog 16 input pin                  | 161                | 167      |        |
| AN17      | ADC Analog 17 input pin                  | 162                | 168      |        |
| AN18      | ADC Analog 18 input pin                  | -                  | 169      |        |
| AN19      | ADC Analog 19 input pin                  | -                  | 170      |        |
| AN20      | ADC Analog 20 input pin                  | 163                | 171      |        |
| AN21      | ADC Analog 21 input pin                  | 164                | 172      |        |
| AN22      | ADC Analog 22 input pin                  | 165                | 173      |        |
| AN23      | ADC Analog 23 input pin                  | 166                | 174      |        |
| AN24      | ADC Analog 24 input pin                  | 167                | 175      |        |
| AN25      | ADC Analog 25 input pin                  | 168                | 176      |        |
| AN26      | ADC Analog 26 input pin                  | 127                | 133      |        |
| AN27      | ADC Analog 27 input pin                  | 128                | 134      |        |
| AN28      | ADC Analog 28 input pin                  | 129                | 135      |        |
| AN29      | ADC Analog 29 input pin                  | 130                | 136      |        |
| AN30      | ADC Analog 30 input pin                  | 131                | 137      |        |
| AN31      | ADC Analog 31 input pin                  | 132                | 138      |        |
| AN32      | ADC Analog 32 input pin                  | 133                | 139      |        |
| AN33      | ADC Analog 33 input pin                  | 134                | 140      |        |
| AN34      | ADC Analog 34 input pin                  | 137                | 143      |        |
| AN35      | ADC Analog 35 input pin                  | 138                | 144      |        |
| AN36      | ADC Analog 36 input pin                  | 139                | 145      |        |
| AN37      | ADC Analog 37 input pin                  | 140                | 146      |        |
| AN38      | ADC Analog 38 input pin                  | 141                | 147      |        |
| AN39      | ADC Analog 39 input pin                  | 142                | 148      |        |
| AN40      | ADC Analog 40 input pin                  | 143                | 149      |        |
| AN41      | ADC Analog 41 input pin                  | 144                | 150      |        |
| AN42      | ADC Analog 42 input pin                  | 147                | 153      |        |
| AN43      | ADC Analog 43 input pin                  | 148                | 154      |        |

| Port Name | Description                        | Package Pin Number                                  |   | Remark |
|-----------|------------------------------------|---|---|--------|
|           |                                    | TEQFP208  | TEQFP216  |        |
| AN44      | ADC Analog 44 input pin            | 149   | 155   |        |
| AN45      | ADC Analog 45 input pin            | 150   | 156   |        |
| AN46      | ADC Analog 46 input pin            | 151   | 157   |        |
| AN47      | ADC Analog 47 input pin            | 152   | 158   |        |
| AN48      | ADC Analog 48 input pin            | 153   | 159   |        |
| AN49      | ADC Analog 49 input pin            | 154   | 160   |        |
| TX0       | CAN transmission data 0 output pin | 100   | 104   |        |
| TX1       | CAN transmission data 1 output pin | 102, 154  | 106, 160  |        |
| TX5       | CAN transmission data 5 output pin | 162, 166  | 168, 174  |        |
| TX6       | CAN transmission data 6 output pin | 168   | 170, 176  |        |
| RX0       | CAN reception data 0 input pin     | 99  | 103   |        |
| RX1       | CAN reception data 1 input pin     | 101, 153  | 105, 159  |        |
| RX5       | CAN reception data 5 input pin     | 161, 165  | 167, 173  |        |
| RX6       | CAN reception data 6 input pin     | 167   | 169, 175  |        |
| EINT0     | External interrupt input pin       | 33, 39, 57,<br>63, 96, 140,<br>167, 170,<br>177,199 | 33, 39, 59,<br>65, 100, 146,<br>175, 178,<br>185, 207 |        |
| EINT1     | External interrupt input pin       | 40, 58, 82,<br>97, 141,<br>168, 169,<br>178, 200    | 40, 60, 84,<br>101, 147,<br>176, 177,<br>186,208,     |        |
| EINT2     | External interrupt input pin       | 41, 59, 83,<br>98, 118,<br>142, 179,<br>201,        | 41, 61, 85,<br>102, 122,<br>148, 187,<br>209          |        |
| EINT3     | External interrupt input pin       | 31, 84, 99,<br>143, 159,<br>180, 202                | 31, 44, 86,<br>103, 123,<br>149, 165,<br>188, 210     |        |
| EINT4     | External interrupt input pin       | 60, 100,<br>144, 181,<br>203                        | 45, 62, 104,<br>124, 150,<br>189, 211                 |        |
| EINT5     | External interrupt input pin       | 44, 72, 101,<br>127, 147,<br>186                    | 46, 74, 105,<br>133, 153,<br>194,                     |        |
| EINT6     | External interrupt input pin       | 45, 75, 89,<br>102, 128,<br>148, 187,               | 47, 77, 91,<br>106, 134,<br>154, 195                  |        |
| EINT7     | External interrupt input pin       | 46, 77, 129,<br>149, 160,<br>188                    | 48, 79, 135,<br>155, 166,<br>196                      |        |
| EINT8     | External interrupt input pin       | 47, 76, 130,<br>150, 161,<br>189                    | 49, 78, 92,<br>136, 156,<br>167, 197                  |        |
| EINT9     | External interrupt input pin       | 48, 79, 90,<br>131, 151,<br>162, 190<br>204         | 50, 81, 93,<br>137, 157,<br>168, 198,<br>212,         |        |
| EINT10    | External interrupt input pin       | 49, 78, 91,<br>132, 152,<br>191,205                 | 51, 80, 94,<br>138, 158,<br>169, 199,<br>213          |        |

| Port Name | Description                                      | Package Pin Number                              |  | Remark |
|-----------|--|---|--|--------|
|           |  | TEQFP208  | TEQFP216   |        |
| EINT11    | External interrupt input pin                     | 34, 50, 69,<br>92, 133,<br>153, 192,<br>206     | 34,52,71,<br>95,139,159,<br>170, 200,<br>214     |        |
| EINT12    | External interrupt input pin                     | 35, 51, 66,<br>134, 154,<br>163, 193,<br>207    | 35, 53, 68,<br>96, 140, 160,<br>171, 201,<br>215 |        |
| EINT13    | External interrupt input pin                     | 36, 54, 68,<br>93, 137,<br>164, 174,<br>196     | 36, 56, 70,<br>97, 143, 172,<br>182, 204         |        |
| EINT14    | External interrupt input pin                     | 37, 55, 67,<br>94, 138,<br>165, 175,<br>197     | 37, 57, 69,<br>98, 144, 173,<br>183, 205         |        |
| EINT15    | External interrupt input pin                     | 32, 38, 56,<br>70, 95, 139,<br>166, 176,<br>198 | 32, 38, 58,<br>72, 99, 145,<br>174, 184,<br>206  |        |
| MFS0_CS0  | Multi-function serial ch.0 chip select 0 pin     | 148   | 154  |        |
| MFS0_CS1  | Multi-function serial ch.0 chip select 1 pin     | 153   | 159  |        |
| MFS0_CS2  | Multi-function serial ch.0 chip select 2 pin     | 154   | 160  |        |
| MFS0_CS3  | Multi-function serial ch.0 chip select 3 pin     | 152   | 158  |        |
| MFS2_CS0  | Multi-function serial ch.2 chip select 0 pin     | 149   | 155  |        |
| MFS2_CS1  | Multi-function serial ch.2 chip select 1 pin     | 150   | 156  |        |
| MFS8_CS0  | Multi-function serial ch.8 chip select 0 pin     | 163, 191  | 171, 199   |        |
| MFS8_CS1  | Multi-function serial ch.8 chip select 1 pin     | 167, 198  | 175, 206   |        |
| MFS8_CS2  | Multi-function serial ch.8 chip select 2 pin     | 168, 199  | 176, 207   |        |
| MFS8_CS3  | Multi-function serial ch.8 chip select 3 pin     | 166, 197  | 174, 205   |        |
| MFS9_CS0  | Multi-function serial ch.9 chip select 0 pin     | 164, 192  | 172, 200   |        |
| MFS9_CS1  | Multi-function serial ch.9 chip select 1 pin     | 165, 193  | 173, 201   |        |
| SCK0      | Multi-function serial ch.0 clock I/O pin         | 38, 91  | 38, 94   |        |
| SCK1      | Multi-function serial ch.1 clock I/O pin         | 83, 94  | 85, 98   |        |
| SCK2      | Multi-function serial ch.2 clock I/O pin         | 143   | 149  |        |
| SCK3      | Multi-function serial ch.3 clock I/O pin         | 149   | 155  |        |
| SCK4      | Multi-function serial ch.4 clock I/O pin         | 153   | 159  |        |
| SCK8      | Multi-function serial ch.8 clock I/O pin         | 100, 180  | 104, 188   |        |
| SCK9      | Multi-function serial ch.9 clock I/O pin         | 161, 188  | 167, 196   |        |
| SCK10     | Multi-function serial ch.10 clock I/O pin        | 164, 192  | 172, 200   |        |
| SCK11     | Multi-function serial ch.11 clock I/O pin        | 167, 198,<br>206                                | 175, 206,<br>214                                 |        |
| SCK12     | Multi-function serial ch.12 clock I/O pin        | 202   | 210  |        |
| SCK16     | Multi-function serial ch.16 clock I/O pin        | 97  | 101  |        |
| SCK17     | Multi-function serial ch.17 clock I/O pin        | 91  | 94   |        |
| SIN0      | Multi-function serial ch.0 serial data input pin | 45, 92  | 47, 95   |        |
| SIN1      | Multi-function serial ch.1 serial data input pin | 84, 95  | 86, 99   |        |
| SIN2      | Multi-function serial ch.2 serial data input pin | 144   | 150  |        |
| SIN3      | Multi-function serial ch.3 serial data input pin | 150   | 156  |        |

| Port Name            | Description  | Package Pin Number |               | Remark |
|----------------------|--|--------------------|---------------|--------|
|                      |  | TEQFP208           | TEQFP216      |        |
| SIN4                 | Multi-function serial ch.4 serial data input pin   | 154                | 160           |        |
| SIN8                 | Multi-function serial ch.8 serial data input pin   | 101, 181           | 105, 189      |        |
| SIN9                 | Multi-function serial ch.9 serial data input pin   | 162, 189           | 168, 197      |        |
| SIN10                | Multi-function serial ch.10 serial data input pin  | 165, 193           | 173, 201      |        |
| SIN11                | Multi-function serial ch.11 serial data input pin  | 168, 199, 207      | 176, 207, 215 |        |
| SIN12                | Multi-function serial ch.12 serial data input pin  | 203                | 211           |        |
| SIN16                | Multi-function serial ch.16 serial data input pin  | 98                 | 102           |        |
| SIN17                | Multi-function serial ch.17 serial data input pin  | 92                 | 95            |        |
| SOT0                 | Multi-function serial ch.0 serial data output pin  | 37, 90             | 37, 93        |        |
| SOT1                 | Multi-function serial ch.1 serial data output pin  | 82, 93             | 84, 97        |        |
| SOT2                 | Multi-function serial ch.2 serial data output pin  | 142                | 148           |        |
| SOT3                 | Multi-function serial ch.3 serial data output pin  | 148                | 154           |        |
| SOT4                 | Multi-function serial ch.4 serial data output pin  | 152                | 158           |        |
| SOT8                 | Multi-function serial ch.8 serial data output pin  | 99, 179            | 103, 187      |        |
| SOT9                 | Multi-function serial ch.9 serial data output pin  | 160, 187           | 166, 195      |        |
| SOT10                | Multi-function serial ch.10 serial data output pin | 163, 191           | 171, 199      |        |
| SOT11                | Multi-function serial ch.11 serial data output pin | 166, 197, 205      | 174, 205, 213 |        |
| SOT12                | Multi-function serial ch.12 serial data output pin | 201                | 209           |        |
| SOT16                | Multi-function serial ch.16 serial data output pin | 96                 | 100           |        |
| SOT17                | Multi-function serial ch.17 serial data output pin | 90                 | 93            |        |
| SCL4<br>(MFS4_SCL)   | I <sup>2</sup> C ch.4 clock I/O pin                | 153                | 159           |        |
| SCL10<br>(MFS10_SCL) | I <sup>2</sup> C ch.10 clock I/O pin               | 192                | 200           |        |
| SCL12<br>(MFS12_SCL) | I <sup>2</sup> C ch.12 clock I/O pin               | 202                | 210           |        |
| SCL16<br>(MFS16_SCL) | I <sup>2</sup> C ch.16 clock I/O pin               | 97                 | 101           |        |
| SCL17<br>(MFS17_SCL) | I <sup>2</sup> C ch.17 clock I/O pin               | 91                 | 94            |        |
| SDA4<br>(MFS4_SDA)   | I <sup>2</sup> C ch.4 serial data I/O pin          | 152                | 158           |        |
| SDA10<br>(MFS10_SDA) | I <sup>2</sup> C ch.10 serial data I/O pin         | 191                | 199           |        |
| SDA12<br>(MFS12_SDA) | I <sup>2</sup> C ch.12 serial data I/O pin         | 201                | 209           |        |
| SDA16<br>(MFS16_SDA) | I <sup>2</sup> C ch.16 serial data I/O pin         | 96                 | 100           |        |

| Port Name               | Description                                | Package Pin Number                |                                   | Remark |
|-------------------------|--|-----------------------------------|-----------------------------------|--------|
|                         |  | TEQFP208                          | TEQFP216                          |        |
| SDA17<br>(MFS17_SDA)    | I <sup>2</sup> C ch.17 serial data I/O pin | 90                                | 93                                |        |
| PPG0_TOUT0              | Base timer 0 output pin                    | 39, 140,<br>161, 170,<br>199      | 39, 146, 167,<br>178, 207         |        |
| PPG0_TOUT2              | Base timer 1 output pin                    | 40, 141,<br>162, 169,<br>200, 204 | 40, 147, 168,<br>177, 208,<br>212 |        |
| PPG1_TOUT0              | Base timer 2 output pin                    | 41, 142, 201,<br>205              | 41, 148, 169,<br>209, 213         |        |
| PPG1_TOUT2              | Base timer 3 output pin                    | 143, 202,<br>206                  | 44, 149, 170,<br>210, 214         |        |
| PPG2_TOUT0              | Base timer 4 output pin                    | 144, 163,<br>203, 207             | 45, 150, 171,<br>211, 215         |        |
| PPG2_TOUT2              | Base timer 5 output pin                    | 44, 147,<br>164, 174              | 46, 153, 172,<br>182              |        |
| PPG3_TOUT0              | Base timer 6 output pin                    | 45, 89, 148,<br>165, 175          | 47, 91, 154,<br>173, 183          |        |
| PPG3_TOUT2              | Base timer 7 output pin                    | 32, 46, 149,<br>166, 176          | 32, 48, 155,<br>174, 184          |        |
| PPG4_TOUT0              | Base timer 8 output pin                    | 33, 47, 150,<br>167, 177          | 33, 49, 92,<br>156, 175,<br>185   |        |
| PPG4_TOUT2              | Base timer 9 output pin                    | 48, 84, 90,<br>151, 168,<br>178   | 50, 86, 93,<br>157, 176,<br>186   |        |
| PPG5_TOUT0              | Base timer 10 output pin                   | 49, 91, 118,<br>152, 179          | 51, 94, 122,<br>158, 187          |        |
| PPG5_TOUT2              | Base timer 11 output pin                   | 50, 72, 92,<br>153, 180           | 52, 74, 95,<br>123, 159,<br>188   |        |
| PPG6_TOUT0              | Base timer 12 output pin                   | 51, 75, 154,<br>181               | 53, 77, 96,<br>124, 160, 189      |        |
| PPG6_TOUT2              | Base timer 13 output pin                   | 54, 77, 93,<br>127, 186           | 56, 79, 97,<br>133, 194           |        |
| PPG7_TOUT0              | Base timer 14 output pin                   | 55, 76, 94,<br>128, 187           | 57, 78, 98,<br>134, 195           |        |
| PPG7_TOUT2              | Base timer 15 output pin                   | 56, 79, 95,<br>129, 188           | 58, 81, 99,<br>135, 196           |        |
| PPG8_TOUT0              | Base timer 16 output pin                   | 57, 78, 96,<br>130, 189           | 59, 80, 100,<br>136, 197          |        |
| PPG8_TOUT2              | Base timer 17 output pin                   | 58, 69, 97,<br>131, 190           | 60, 71, 101,<br>137, 198          |        |
| PPG9_TOUT0              | Base timer 18 output pin                   | 59, 66, 98,<br>132, 191           | 61, 68, 102,<br>138, 199          |        |
| PPG9_TOUT2              | Base timer 19 output pin                   | 31, 34, 68,<br>99, 133, 192       | 31, 34, 70,<br>103, 139,<br>200   |        |
| PPG10_TOUT0             | Base timer 20 output pin                   | 35, 60, 67,<br>100, 134,<br>193   | 35, 62, 69,<br>104, 140,<br>201   |        |
| PPG10_TOUT2             | Base timer 21 output pin                   | 36, 70, 101,<br>137, 196          | 36, 72, 105,<br>143, 204          |        |
| PPG11_TOUT0             | Base timer 22 output pin                   | 37, 63, 102,<br>138, 197          | 37, 65, 106,<br>144, 205          |        |
| PPG11_TOUT2             | Base timer 23 output pin                   | 38, 139,<br>160, 198              | 38, 145, 166,<br>206              |        |
| PPG0/1/2/3/4/5_TIN<br>1 | Base timer 0/2/4/6/8/10 input pin          | -                                 | 96                                |        |

| Port Name             | Description                            | Package Pin Number                |                                   | Remark |
|-----------------------|--|-----------------------------------|-----------------------------------|--------|
|                       |  | TEQFP208                          | TEQFP216                          |        |
| PPG6/7/8/9/10/11_TIN1 | Base timer 12/14/16/18/20/22 input pin | 161                               | 167                               |        |
| WOT                   | RTC overflow output pin                | 161                               | 167                               |        |
| PWM1M0                | SMC ch.0 output pin                    | 128                               | 134                               |        |
| PWM1M1                | SMC ch.1 output pin                    | 132                               | 138                               |        |
| PWM1M2                | SMC ch.2 output pin                    | 138                               | 144                               |        |
| PWM1M3                | SMC ch.3 output pin                    | 142                               | 148                               |        |
| PWM1M4                | SMC ch.4 output pin                    | 148                               | 154                               |        |
| PWM1M5                | SMC ch.5 output pin                    | 152                               | 158                               |        |
| PWM1P0                | SMC ch.0 output pin                    | 127                               | 133                               |        |
| PWM1P1                | SMC ch.1 output pin                    | 131                               | 137                               |        |
| PWM1P2                | SMC ch.2 output pin                    | 137                               | 143                               |        |
| PWM1P3                | SMC ch.3 output pin                    | 141                               | 147                               |        |
| PWM1P4                | SMC ch.4 output pin                    | 147                               | 153                               |        |
| PWM1P5                | SMC ch.5 output pin                    | 151                               | 157                               |        |
| PWM2M0                | SMC ch.0 output pin                    | 130                               | 136                               |        |
| PWM2M1                | SMC ch.1 output pin                    | 134                               | 140                               |        |
| PWM2M2                | SMC ch.2 output pin                    | 140                               | 146                               |        |
| PWM2M3                | SMC ch.3 output pin                    | 144                               | 150                               |        |
| PWM2M4                | SMC ch.4 output pin                    | 150                               | 156                               |        |
| PWM2M5                | SMC ch.5 output pin                    | 154                               | 160                               |        |
| PWM2P0                | SMC ch.0 output pin                    | 129                               | 135                               |        |
| PWM2P1                | SMC ch.1 output pin                    | 133                               | 139                               |        |
| PWM2P2                | SMC ch.2 output pin                    | 139                               | 145                               |        |
| PWM2P3                | SMC ch.3 output pin                    | 143                               | 149                               |        |
| PWM2P4                | SMC ch.4 output pin                    | 149                               | 155                               |        |
| PWM2P5                | SMC ch.5 output pin                    | 153                               | 159                               |        |
| OCU0_OTD0             | Output compare 0 ch.0 output pin       | 39, 140,<br>161, 170,<br>199      | 39, 146, 167,<br>178, 207         |        |
| OCU0_OTD1             | Output compare 0 ch.1 output pin       | 40, 141,<br>162, 169,<br>200, 204 | 40, 147, 168,<br>177, 208,<br>212 |        |
| OCU1_OTD0             | Output compare 1 ch.0 output pin       | 41, 142,<br>201, 205              | 41, 148, 169,<br>209, 213         |        |
| OCU1_OTD1             | Output compare 1 ch.1 output pin       | 143, 202,<br>206                  | 44, 149, 170,<br>210, 214         |        |
| OCU2_OTD0             | Output compare 2 ch.0 output pin       | 144, 163,<br>203, 207             | 45, 150, 171,<br>211, 215         |        |
| OCU2_OTD1             | Output compare 2 ch.1 output pin       | 44, 147,<br>164, 174              | 46, 153, 172,<br>182              |        |
| OCU3_OTD0             | Output compare 3 ch.0 output pin       | 45, 89, 148,<br>165, 175          | 47, 91, 154,<br>173, 183          |        |
| OCU3_OTD1             | Output compare 3 ch.1 output pin       | 32, 46, 149,<br>166, 176          | 32, 48, 155,<br>174, 184          |        |
| OCU4_OTD0             | Output compare 4 ch.0 output pin       | 33, 47, 150,<br>167, 177          | 33, 49, 92,<br>156, 175,<br>185   |        |
| OCU4_OTD1             | Output compare 4 ch.1 output pin       | 48, 84, 90,<br>151, 168,<br>178   | 50, 86, 93,<br>157, 176,<br>186   |        |
| OCU5_OTD0             | Output compare 5 ch.0 output pin       | 49, 91, 118,<br>152, 179          | 51, 94, 122,<br>158, 187          |        |

| Port Name  | Description                       | Package Pin Number                |                                   | Remark |
|------------|-----------------------------------|-----------------------------------|-----------------------------------|--------|
|            |                                   | TEQFP208                          | TEQFP216                          |        |
| OCU5_OTD1  | Output compare 5 ch.1 output pin  | 50, 72, 92,<br>153, 180           | 52, 74, 95,<br>123, 159,<br>188   |        |
| OCU6_OTD0  | Output compare 6 ch.0 output pin  | 51, 75, 154,<br>181               | 53, 77, 96,<br>124, 160,<br>189   |        |
| OCU6_OTD1  | Output compare 6 ch.1 output pin  | 54, 77, 93,<br>127, 186           | 56, 79, 97,<br>133, 194           |        |
| OCU7_OTD0  | Output compare 7 ch.0 output pin  | 55, 76, 94,<br>128, 187           | 57, 78, 98,<br>134, 195           |        |
| OCU7_OTD1  | Output compare 7 ch.1 output pin  | 56, 79, 95,<br>129, 188           | 58, 81, 99,<br>135, 196           |        |
| OCU8_OTD0  | Output compare 8 ch.0 output pin  | 57, 78, 96,<br>130, 189           | 59, 80, 100,<br>136, 197          |        |
| OCU8_OTD1  | Output compare 8 ch.1 output pin  | 58, 69, 97,<br>131, 190           | 60, 71, 101,<br>137, 198          |        |
| OCU9_OTD0  | Output compare 9 ch.0 output pin  | 59, 66, 98,<br>132, 191           | 61, 68, 102,<br>138, 199          |        |
| OCU9_OTD1  | Output compare 9 ch.1 output pin  | 31, 34, 68,<br>99, 133, 192       | 31, 34, 70,<br>103, 139,<br>200   |        |
| OCU10_OTD0 | Output compare 10 ch.0 output pin | 35, 60, 67,<br>100, 134,<br>193   | 35, 62, 69,<br>104, 140,<br>201   |        |
| OCU10_OTD1 | Output compare 10 ch.1 output pin | 36, 70, 101,<br>137, 196          | 36, 72, 105,<br>143, 204          |        |
| OCU11_OTD0 | Output compare 11 ch.0 output pin | 37, 63, 102,<br>138, 197          | 37, 65, 106,<br>144, 205          |        |
| OCU11_OTD1 | Output compare 11 ch.1 output pin | 38, 139,<br>160, 198              | 38, 145, 166,<br>206              |        |
| ICU0_IN0   | Input Capture 0 ch.0 input pin    | 39, 140,<br>161, 170,<br>199      | 39, 146, 167,<br>178, 207         |        |
| ICU0_IN1   | Input Capture 0 ch.1 input pin    | 40, 141,<br>162, 169,<br>200, 204 | 40, 147, 168,<br>177, 208,<br>212 |        |
| ICU1_IN0   | Input Capture 1 ch.0 input pin    | 41, 142,<br>201, 205              | 41, 148, 169,<br>209, 213         |        |
| ICU1_IN1   | Input Capture 1 ch.1 input pin    | 143, 159,<br>202, 206             | 44, 149, 165,<br>170, 210,<br>214 |        |
| ICU2_IN0   | Input Capture 2 ch.0 input pin    | 144, 163,<br>203, 207             | 45, 150, 171,<br>211, 215         |        |
| ICU2_IN1   | Input Capture 2 ch.1 input pin    | 44, 147,<br>164, 174              | 46, 153, 172,<br>182              |        |
| ICU3_IN0   | Input Capture 3 ch.0 input pin    | 45, 89, 148,<br>165, 175          | 47, 91, 154,<br>173, 183          |        |
| ICU3_IN1   | Input Capture 3 ch.1 input pin    | 32, 46, 149,<br>166, 176          | 32, 48, 155,<br>174, 184          |        |
| ICU4_IN0   | Input Capture 4 ch.0 input pin    | 33, 47, 150,<br>167, 177          | 33, 49, 92,<br>156, 175,<br>185   |        |
| ICU4_IN1   | Input Capture 4 ch.1 input pin    | 48, 84, 90,<br>151, 168,<br>178   | 50, 86, 93,<br>157, 176,<br>186   |        |
| ICU5_IN0   | Input Capture 5 ch.0 input pin    | 49, 91, 118,<br>152, 179          | 51, 94, 122,<br>158, 187          |        |

| Port Name | Description                          | Package Pin Number        |                           | Remark |
|-----------|--------------------------------------|---------------------------|---------------------------|--------|
|           |                                      | TEQFP208                  | TEQFP216                  |        |
| ICU5_IN1  | Input Capture 5 ch.1 input pin       | 50, 72, 92, 153, 180      | 52, 74, 95, 123, 159, 188 |        |
| ICU6_IN0  | Input Capture 6 ch.0 input pin       | 51, 75, 154, 181          | 53, 77, 96, 124, 160, 189 |        |
| ICU6_IN1  | Input Capture 6 ch.1 input pin       | 54, 77, 93, 127, 186      | 56, 79, 97, 133, 194      |        |
| ICU7_IN0  | Input Capture 7 ch.0 input pin       | 55, 76, 94, 128, 187      | 57, 78, 98, 134, 195      |        |
| ICU7_IN1  | Input Capture 7 ch.1 input pin       | 56, 79, 95, 129, 188      | 58, 81, 99, 135, 196      |        |
| ICU8_IN0  | Input Capture 8 ch.0 input pin       | 57, 78, 96, 130, 189      | 59, 80, 100, 136, 197     |        |
| ICU8_IN1  | Input Capture 8 ch.1 input pin       | 58, 69, 97, 131, 190      | 60, 71, 101, 137, 198     |        |
| ICU9_IN0  | Input Capture 9 ch.0 input pin       | 59, 66, 98, 132, 191      | 61, 68, 102, 138, 199     |        |
| ICU9_IN1  | Input Capture 9 ch.1 input pin       | 31, 34, 68, 99, 133, 192  | 31, 34, 70, 103, 139, 200 |        |
| ICU10_IN0 | Input Capture 10 ch.0 input pin      | 35, 60, 67, 100, 134, 193 | 35, 62, 69, 104, 140, 201 |        |
| ICU10_IN1 | Input Capture 10 ch.1 input pin      | 36, 70, 101, 137, 196     | 36, 72, 105, 143, 204     |        |
| ICU11_IN0 | Input Capture 11 ch.0 input pin      | 37, 63, 102, 138, 197     | 37, 65, 106, 144, 205     |        |
| ICU11_IN1 | Input Capture 11 ch.1 input pin      | 38, 139, 160, 198         | 38, 145, 166, 206         |        |
| SGA0      | Sound generator ch.0 SGA output pin  | 90, 97, 164               | 93, 101, 172              |        |
| SGA1      | Sound generator ch.1 SGA output pin  | 91, 98, 165, 205          | 94, 102, 173, 213         |        |
| SGA2      | Sound generator ch.2 SGA output pin  | 100, 167                  | 96, 104, 175              |        |
| SGA3      | Sound generator ch.3 SGA output pin  | 94, 118, 175              | 98, 122, 183              |        |
| SGO0      | Sound generator ch.0 SGO output pin  | 96, 163                   | 92, 100, 171              |        |
| SGO1      | Sound generator ch.1 SGO output pin  | 92,99,166,206             | 95,103,174,214            |        |
| SGO2      | Sound generator ch.2 SGO output pin  | 93, 101, 168              | 97, 105, 176              |        |
| SGO3      | Sound generator ch.3 SGO output pin  | 95, 176                   | 99, 123, 184              |        |
| AN0(AL0)  | PCM PWM ch.0 output pin              | 128, 175                  | 134, 183                  |        |
| AN1(AL1)  | PCM PWM ch.1 output pin              | 132, 179                  | 138, 187                  |        |
| AP0(AH0)  | PCM PWM ch.0 output pin              | 127, 174                  | 133, 182                  |        |
| AP1(AH1)  | PCM PWM ch.1 output pin              | 131, 178                  | 137, 186                  |        |
| BN0(BL0)  | PCM PWM ch.0 output pin              | 130, 177                  | 136, 185                  |        |
| BN1(BL1)  | PCM PWM ch.1 output pin              | 134, 181                  | 140, 189                  |        |
| BP0(BH0)  | PCM PWM ch.0 output pin              | 129, 176                  | 135, 184                  |        |
| BP1(BH1)  | PCM PWM ch.1 output pin              | 133, 180                  | 139, 188                  |        |
| I2S0_ECLK | I2S external clock ch.0 input pin    | 50                        | 52                        |        |
| I2S1_ECLK | I2S external clock ch.1 input pin    | 56                        | 58                        |        |
| I2S0_SCK  | I2S continuous serial clock ch.0 pin | 55                        | 57                        |        |
| I2S1_SCK  | I2S continuous serial clock ch.1 pin | 59                        | 61                        |        |
| I2S0_SD   | I2S serial data ch.0 pin             | 51                        | 53                        |        |
| I2S1_SD   | I2S serial data ch.1 pin             | 57                        | 59                        |        |
| I2S0_WS   | I2S word select ch.0 pin             | 54                        | 56                        |        |

| Port Name         | Description   | Package Pin Number |          | Remark |
|-------------------|---|--------------------|----------|--------|
|                   |   | TEQFP208           | TEQFP216 |        |
| I2S1_WS           | I2S word select ch.1 pin                              | 58                 | 60       |        |
| C_L               | Audio DAC external capacity connection output pin (L) | 8                  | 8        |        |
| C_R               | Audio DAC external capacity connection output pin (R) | 4                  | 4        |        |
| DAC_L             | Audio DAC output pin (L)                              | 7                  | 7        |        |
| DAC_R             | Audio DAC output pin (R)                              | 3                  | 3        |        |
| FRT0/1/2/3_TEXT   | Free-run timer ch.0/1/2/3 clock input pin             | 160                | 166      |        |
| FRT4/5/6/7_TEXT   | Free-run timer ch.4/5/6/7 clock input pin             | 166                | 174      |        |
| FRT8/9/10/11_TEXT | Free-run timer ch.4/5/6/7 clock input pin             | 95                 | 99       |        |
| TIN0              | Reload timer ch.0 event input pin                     | 35                 | 35, 96   |        |
| TIN1              | Reload timer ch.1 event input pin                     | 37, 93             | 37, 97   |        |
| TIN2              | Reload timer ch.2 event input pin                     | 39, 94             | 39, 98   |        |
| TIN3              | Reload timer ch.3 event input pin                     | 41, 95             | 41, 99   |        |
| TIN16             | Reload timer ch.16 event input pin                    | 100                | 45, 104  |        |
| TIN17             | Reload timer ch.17 event input pin                    | 45, 102            | 47, 106  |        |
| TIN18             | Reload timer ch.18 event input pin                    | 47, 162            | 49, 168  |        |
| TIN19             | Reload timer ch.19 event input pin                    | 49                 | 51, 170  |        |
| TIN32             | Reload timer ch.32 event input pin                    | 51, 164            | 53, 172  |        |
| TIN33             | Reload timer ch.33 event input pin                    | 55, 166            | 57, 174  |        |
| TIN34             | Reload timer ch.34 event input pin                    | 57, 168            | 59, 176  |        |
| TIN35             | Reload timer ch.35 event input pin                    | 59                 | 61, 123  |        |
| TIN48             | Reload timer ch.48 event input pin                    | 159                | 165      |        |
| TIN49             | Reload timer ch.49 event input pin                    | 89                 | 91       |        |
| TOT0              | Reload timer ch.0 output pin                          | 34, 96             | 34, 100  |        |
| TOT1              | Reload timer ch.1 output pin                          | 36, 97             | 36, 101  |        |
| TOT2              | Reload timer ch.2 output pin                          | 38, 98             | 38, 102  |        |
| TOT3              | Reload timer ch.3 output pin                          | 40, 99             | 40, 103  |        |
| TOT16             | Reload timer ch.16 output pin                         | 101                | 44, 105  |        |
| TOT17             | Reload timer ch.17 output pin                         | 44, 160            | 46, 166  |        |
| TOT18             | Reload timer ch.18 output pin                         | 46, 161            | 48, 167  |        |
| TOT19             | Reload timer ch.19 output pin                         | 48                 | 50, 169  |        |
| TOT32             | Reload timer ch.32 output pin                         | 50, 163            | 52, 171  |        |
| TOT33             | Reload timer ch.33 output pin                         | 54, 165            | 56, 173  |        |
| TOT34             | Reload timer ch.34 output pin                         | 56, 167            | 58, 175  |        |
| TOT35             | Reload timer ch.35 output pin                         | 58, 118            | 60, 122  |        |
| AIN8              | Up/Down counter AIN input pin ch.8                    | 190                | 92, 198  |        |
| AIN9              | Up/Down counter AIN input pin ch.9                    | 93, 193            | 97, 201  |        |
| BIN8              | Up/Down counter BIN input pin ch.8                    | 90, 191            | 93, 199  |        |
| BIN9              | Up/Down counter BIN input pin ch.9                    | 94, 196            | 98, 204  |        |
| ZIN8              | Up/Down counter ZIN input pin ch.8                    | 91, 192            | 94, 200  |        |
| ZIN9              | Up/Down counter ZIN input pin ch.9                    | 95, 197            | 99, 205  |        |
| RXD0              | Ethernet pin  | 48                 | 50       |        |
| RXD1              | Ethernet pin  | 49                 | 51       |        |
| RXD2              | Ethernet pin  | 50                 | 52       |        |
| RXD3              | Ethernet pin  | 51                 | 53       |        |
| TXD0              | Ethernet pin  | 44                 | 46       |        |
| TXD1              | Ethernet pin  | 45                 | 47       |        |
| TXD2              | Ethernet pin  | 46                 | 48       |        |

| Port Name  | Description                        | Package Pin Number |          | Remark                                     |
|------------|------------------------------------|--------------------|----------|--|
|            |                                    | TEQFP208           | TEQFP216 |  |
| TXD3       | Ethernet pin                       | 47                 | 49       |  |
| COL        | Ethernet pin                       | 58                 | 44, 60   |  |
| CRS        | Ethernet pin                       | 84                 | 45, 86   |  |
| RXER       | Ethernet pin                       | 56                 | 58       |  |
| RXDV       | Ethernet pin                       | 57                 | 59       |  |
| RXCLK      | Ethernet pin                       | 55                 | 57       |  |
| TXER       | Ethernet pin                       | 60                 | 62       |  |
| TXEN       | Ethernet pin                       | 41                 | 41       |  |
| TXCLK      | Ethernet pin                       | 54                 | 56       |  |
| MDC        | Ethernet pin                       | 31                 | 31       |  |
| MDIO       | Ethernet pin                       | 32                 | 32       |  |
| MLBCLK     | MediaLB pin                        | 84                 | 86       |  |
| MLBDAT     | MediaLB pin                        | 82                 | 84       |  |
| MLBSIG     | MediaLB pin                        | 83                 | 85       |  |
| TxCLK-     | LVDS clock output pin              | 21                 | 21       | Described as TXOUT4M in FPD-Link Converter |
| TxCLK+     | LVDS clock output pin              | 20                 | 20       | Described as TXOUT4P in FPD-Link Converter |
| TxDOUT0-   | LVDS data output pin               | 25                 | 25       | Described as TXOUT0M in FPD-Link Converter |
| TxDOUT0+   | LVDS data output pin               | 24                 | 24       | Described as TXOUT0P in FPD-Link Converter |
| TxDOUT1-   | LVDS data output pin               | 23                 | 23       | Described as TXOUT1M in FPD-Link Converter |
| TxDOUT1+   | LVDS data output pin               | 22                 | 22       | Described as TXOUT1P in FPD-Link Converter |
| TxDOUT2-   | LVDS data output pin               | 19                 | 19       | Described as TXOUT2M in FPD-Link Converter |
| TxDOUT2+   | LVDS data output pin               | 18                 | 18       | Described as TXOUT2P in FPD-Link Converter |
| TxDOUT3-   | LVDS data output pin               | 17                 | 17       | Described as TXOUT3M in FPD-Link Converter |
| TxDOUT3+   | LVDS data output pin               | 16                 | 16       | Described as TXOUT3P in FPD-Link Converter |
| G_SCLK0    | Graphic HS-SPI clock output pin    | 72                 | 74       |  |
| G_SDATA0_0 | Graphic HS-SPI0 data 0 pin         | 75                 | 77       |  |
| G_SDATA0_1 | Graphic HS-SPI0 data 1 pin         | 77                 | 79       |  |
| G_SDATA0_2 | Graphic HS-SPI0 data 2 pin         | 76                 | 78       |  |
| G_SDATA0_3 | Graphic HS-SPI0 data 3 pin         | 79                 | 81       |  |
| G_SDATA1_0 | Graphic HS-SPI1 data 0 pin         | 66                 | 68       |  |
| G_SDATA1_1 | Graphic HS-SPI1 data 1 pin         | 68                 | 70       |  |
| G_SDATA1_2 | Graphic HS-SPI1 data 2 pin         | 67                 | 69       |  |
| G_SDATA1_3 | Graphic HS-SPI1 data 3 pin         | 70                 | 72       |  |
| G_SSEL0    | Graphic HS-SPI select 0 output pin | 78                 | 80       |  |

| Port Name  | Description                          | Package Pin Number |          | Remark |
|------------|--------------------------------------|--------------------|----------|--------|
|            |                                      | TEQFP208           | TEQFP216 |        |
| G_SSEL1    | Graphic HS-SPI select 1 output pin   | 69                 | 71       |        |
| G_CK_1     | Hyper Bus 1 clock output pin         | 63                 | 65       |        |
| G_CS#1_1   | Hyper Bus 1 select 1 output pin      | 70                 | 72       |        |
| G_CS#2_1   | Hyper Bus 1 select 2 output pin      | 75                 | 77       |        |
| G_DQ0_1    | Hyper Bus 1 Data 0 pin               | 69                 | 71       |        |
| G_DQ1_1    | Hyper Bus 1 Data 1 pin               | 68                 | 70       |        |
| G_DQ2_1    | Hyper Bus 1 Data 2 pin               | 67                 | 69       |        |
| G_DQ3_1    | Hyper Bus 1 Data 3 pin               | 66                 | 68       |        |
| G_DQ4_1    | Hyper Bus 1 Data 4 pin               | 76                 | 78       |        |
| G_DQ5_1    | Hyper Bus 1 Data 5 pin               | 77                 | 79       |        |
| G_DQ6_1    | Hyper Bus 1 Data 6 pin               | 78                 | 80       |        |
| G_DQ7_1    | Hyper Bus 1 Data 7 pin               | 79                 | 81       |        |
| G_RWDS_1   | Hyper Bus 1 RWDS pin #699            | 72                 | 74       |        |
| G_CK_2     | Hyper Bus 2 clock output pin         | 44                 | 46       |        |
| G_CS#1_2   | Hyper Bus 2 select 1 output pin      | 49                 | 51       |        |
| G_CS#2_2   | Hyper Bus 2 select 2 output pin      | 51                 | 53       |        |
| G_DQ0_2    | Hyper Bus 2 Data 0 pin               | 48                 | 50       |        |
| G_DQ1_2    | Hyper Bus 2 Data 1 pin               | 47                 | 49       |        |
| G_DQ2_2    | Hyper Bus 2 Data 2 pin               | 46                 | 48       |        |
| G_DQ3_2    | Hyper Bus 2 Data 3 pin               | 45                 | 47       |        |
| G_DQ4_2    | Hyper Bus 2 Data 4 pin               | 54                 | 56       |        |
| G_DQ5_2    | Hyper Bus 2 Data 5 pin               | 55                 | 57       |        |
| G_DQ6_2    | Hyper Bus 2 Data 6 pin               | 56                 | 58       |        |
| G_DQ7_2    | Hyper Bus 2 Data 7 pin               | 57                 | 59       |        |
| G_RWDS_2   | Hyper Bus 2 RWDS pin                 | 50                 | 52       |        |
| M_SCLK0    | MCU HS-SPI clock output pin          | 63                 | 65       |        |
| M_SDATA0_0 | MCU HS-SPI0 data 0 pin               | 66                 | 68       |        |
| M_SDATA0_1 | MCU HS-SPI0 data 1 pin               | 68                 | 70       |        |
| M_SDATA0_2 | MCU HS-SPI0 data 2 pin               | 67                 | 69       |        |
| M_SDATA0_3 | MCU HS-SPI0 data 3 pin               | 70                 | 72       |        |
| M_SDATA1_0 | MCU HS-SPI1 data 0 pin               | 75                 | 77       |        |
| M_SDATA1_1 | MCU HS-SPI1 data 1 pin               | 77                 | 79       |        |
| M_SDATA1_2 | MCU HS-SPI1 data 2 pin               | 76                 | 78       |        |
| M_SDATA1_3 | MCU HS-SPI1 data 3 pin               | 79                 | 81       |        |
| M_SSEL0    | MCU HS-SPI select 0 output pin       | 69                 | 71       |        |
| M_SSEL1    | MCU HS-SPI select 1 output pin       | 78                 | 80       |        |
| M_CK_0     | MCU Hyper Bus clock output pin       | 63                 | 65       |        |
| M_CS#1_0   | MCU Hyper Bus select 1 output pin    | 70                 | 72       |        |
| M_CS#2_0   | MCU Hyper Bus select 2 output pin    | 75                 | 77       |        |
| M_DQ0_0    | MCU Hyper Bus Data 0 pin             | 69                 | 71       |        |
| M_DQ1_0    | MCU Hyper Bus Data 1 pin             | 68                 | 70       |        |
| M_DQ2_0    | MCU Hyper Bus Data 2 pin             | 67                 | 69       |        |
| M_DQ3_0    | MCU Hyper Bus Data 3 pin             | 66                 | 68       |        |
| M_DQ4_0    | MCU Hyper Bus Data 4 pin             | 76                 | 78       |        |
| M_DQ5_0    | MCU Hyper Bus Data 5 pin             | 77                 | 79       |        |
| M_DQ6_0    | MCU Hyper Bus Data 6 pin             | 78                 | 80       |        |
| M_DQ7_0    | MCU Hyper Bus Data 7 pin             | 79                 | 81       |        |
| M_RWDS_0   | MCU Hyper Bus RWDS pin #699          | 72                 | 74       |        |
| COM0       | LCDC Segment(Duty) Common Output Pin | 207                | 215      |        |

| Port Name  | Description                          | Package Pin Number  |                     | Remark |
|------------|--------------------------------------|---------------------|---------------------|--------|
|            |                                      | TEQFP208            | TEQFP216            |        |
| COM1       | LCDC Segment(Duty) Common Output Pin | 206                 | 214                 |        |
| COM2       | LCDC Segment(Duty) Common Output Pin | 205                 | 213                 |        |
| COM3       | LCDC Segment(Duty) Common Output Pin | 204                 | 212                 |        |
| SEG0       | LCDC Segment(Duty) Output Pin        | 203                 | 211                 |        |
| SEG1       | LCDC Segment(Duty) Output Pin        | 202                 | 210                 |        |
| SEG2       | LCDC Segment(Duty) Output Pin        | 201                 | 209                 |        |
| SEG3       | LCDC Segment(Duty) Output Pin        | 200                 | 208                 |        |
| SEG4       | LCDC Segment(Duty) Output Pin        | 199                 | 207                 |        |
| SEG5       | LCDC Segment(Duty) Output Pin        | 198                 | 206                 |        |
| SEG6       | LCDC Segment(Duty) Output Pin        | 197                 | 205                 |        |
| SEG7       | LCDC Segment(Duty) Output Pin        | 196                 | 204                 |        |
| SEG8       | LCDC Segment(Duty) Output Pin        | 193                 | 201                 |        |
| SEG9       | LCDC Segment(Duty) Output Pin        | 192                 | 200                 |        |
| SEG10      | LCDC Segment(Duty) Output Pin        | 191                 | 199                 |        |
| SEG11      | LCDC Segment(Duty) Output Pin        | 190                 | 198                 |        |
| SEG12      | LCDC Segment(Duty) Output Pin        | 189                 | 197                 |        |
| SEG13      | LCDC Segment(Duty) Output Pin        | 188                 | 196                 |        |
| SEG14      | LCDC Segment(Duty) Output Pin        | 187                 | 195                 |        |
| SEG15      | LCDC Segment(Duty) Output Pin        | 186                 | 194                 |        |
| SEG16      | LCDC Segment(Duty) Output Pin        | 181                 | 189                 |        |
| SEG17      | LCDC Segment(Duty) Output Pin        | 180                 | 188                 |        |
| SEG18      | LCDC Segment(Duty) Output Pin        | 179                 | 187                 |        |
| SEG19      | LCDC Segment(Duty) Output Pin        | 178                 | 186                 |        |
| SEG20      | LCDC Segment(Duty) Output Pin        | 177                 | 185                 |        |
| SEG21      | LCDC Segment(Duty) Output Pin        | 176                 | 184                 |        |
| SEG22      | LCDC Segment(Duty) Output Pin        | 175                 | 183                 |        |
| SEG23      | LCDC Segment(Duty/Static) Output Pin | 174                 | 182                 |        |
| SEG24      | LCDC Segment(Duty/Static) Output Pin | 168                 | 176                 |        |
| SEG25      | LCDC Segment(Duty/Static) Output Pin | 167                 | 175                 |        |
| SEG26      | LCDC Segment(Duty/Static) Output Pin | 166                 | 174                 |        |
| SEG27      | LCDC Segment(Duty/Static) Output Pin | 165                 | 173                 |        |
| SEG28      | LCDC Segment(Duty/Static) Output Pin | 164                 | 172                 |        |
| SEG29      | LCDC Segment(Duty/Static) Output Pin | 163                 | 171                 |        |
| SEG30      | LCDC Segment(Duty/Static) Output Pin | -                   | 170                 |        |
| SEG31      | LCDC Segment(Duty/Static) Output Pin | -                   | 169                 |        |
| V0         | LCDC Reference Voltage V0 Input Pin  | 162                 | 168                 |        |
| V1         | LCDC Reference Voltage V1 Input Pin  | 161                 | 167                 |        |
| V2         | LCDC Reference Voltage V2 Input Pin  | 160                 | 166                 |        |
| V3         | LCDC Reference Voltage V3 Input Pin  | 159                 | 165                 |        |
| DSP0_CLK   | Display 0 Clock output pin           | 32, 58              | 32, 60              |        |
| DSP0_CLK-  | Display 0 RSDS Clock output pin      | 33                  | 33                  |        |
| DSP0_CLK+  | Display 0 RSDS Clock output pin      | 32                  | 32                  |        |
| DSP0_CTRL0 | Display 0 Control output pin         | 59, 60, 196         | 61, 62, 204         |        |
| DSP0_CTRL1 | Display 0 Control output pin         | 31, 60, 197         | 31, 62, 205         |        |
| DSP0_CTRL2 | Display 0 Control output pin         | 33, 57, 60, 82, 198 | 33, 59, 62, 84, 206 |        |
| DSP0_CTRL3 | Display 0 Control output pin         | 83, 199             | 85, 207             |        |
| DSP0_CTRL4 | Display 0 Control output pin         | 84, 200             | 86, 208             |        |

| Port Name     | Description                    | Package Pin Number |          | Remark |
|---------------|--------------------------------|--------------------|----------|--------|
|               |                                | TEQFP208           | TEQFP216 |        |
| DSP0_CTRL5    | Display 0 Control output pin   | 201                | 209      |        |
| DSP0_CTRL6    | Display 0 Control output pin   | 202                | 210      |        |
| DSP0_CTRL7    | Display 0 Control output pin   | 203                | 211      |        |
| DSP0_CTRL8    | Display 0 Control output pin   | 204                | 212      |        |
| DSP0_CTRL9    | Display 0 Control output pin   | 205                | 213      |        |
| DSP0_CTRL10   | Display 0 Control output pin   | 206                | 214      |        |
| DSP0_CTRL11   | Display 0 Control output pin   | 207                | 215      |        |
| DSP0_DATA0_0  | Display 0 Data output pin      | 34                 | 34       |        |
| DSP0_DATA0_1  | Display 0 Data output pin      | 36                 | 36       |        |
| DSP0_DATA0_2  | Display 0 Data output pin      | 38                 | 38       |        |
| DSP0_DATA0_3  | Display 0 Data output pin      | 40                 | 40       |        |
| DSP0_DATA0_4  | Display 0 Data output pin      | 31                 | 31, 44   |        |
| DSP0_DATA0_5  | Display 0 Data output pin      | 44                 | 46       |        |
| DSP0_DATA0_6  | Display 0 Data output pin      | 46                 | 48       |        |
| DSP0_DATA0_7  | Display 0 Data output pin      | 48                 | 50       |        |
| DSP0_DATA0_8  | Display 0 Data output pin      | 50                 | 52       |        |
| DSP0_DATA0_9  | Display 0 Data output pin      | 54                 | 56       |        |
| DSP0_DATA0_10 | Display 0 Data output pin      | 56                 | 58       |        |
| DSP0_DATA0_11 | Display 0 Data output pin      | 32, 58             | 32, 60   |        |
| DSP0_DATA1_0  | Display 0 Data output pin      | 35                 | 35       |        |
| DSP0_DATA1_1  | Display 0 Data output pin      | 37                 | 37       |        |
| DSP0_DATA1_2  | Display 0 Data output pin      | 39                 | 39       |        |
| DSP0_DATA1_3  | Display 0 Data output pin      | 41                 | 41       |        |
| DSP0_DATA1_4  | Display 0 Data output pin      | 33                 | 33, 45   |        |
| DSP0_DATA1_5  | Display 0 Data output pin      | 45                 | 47       |        |
| DSP0_DATA1_6  | Display 0 Data output pin      | 47                 | 49       |        |
| DSP0_DATA1_7  | Display 0 Data output pin      | 49                 | 51       |        |
| DSP0_DATA1_8  | Display 0 Data output pin      | 51                 | 53       |        |
| DSP0_DATA1_9  | Display 0 Data output pin      | 55                 | 57       |        |
| DSP0_DATA1_10 | Display 0 Data output pin      | 31, 57             | 31, 59   |        |
| DSP0_DATA1_11 | Display 0 Data output pin      | 33, 59             | 33, 61   |        |
| DSP0_DATA_D0- | Display 0 RSDS Data output pin | 35                 | 35       |        |
| DSP0_DATA_D0+ | Display 0 RSDS Data output pin | 34                 | 34       |        |
| DSP0_DATA_D1- | Display 0 RSDS Data output pin | 37                 | 37       |        |
| DSP0_DATA_D1+ | Display 0 RSDS Data output pin | 36                 | 36       |        |
| DSP0_DATA_D2- | Display 0 RSDS Data output pin | 39                 | 39       |        |
| DSP0_DATA_D2+ | Display 0 RSDS Data output pin | 38                 | 38       |        |
| DSP0_DATA_D3- | Display 0 RSDS Data output pin | 41                 | 41       |        |
| DSP0_DATA_D3+ | Display 0 RSDS Data output pin | 40                 | 40       |        |
| DSP0_DATA_D4- | Display 0 RSDS Data output pin | -                  | 45       |        |
| DSP0_DATA_D4+ | Display 0 RSDS Data output pin | -                  | 44       |        |
| DSP0_DATA_D5- | Display 0 RSDS Data output pin | 45                 | 47       |        |
| DSP0_DATA_D5+ | Display 0 RSDS Data output pin | 44                 | 46       |        |
| DSP0_DATA_D6- | Display 0 RSDS Data output pin | 47                 | 49       |        |
| DSP0_DATA_D6+ | Display 0 RSDS Data output pin | 46                 | 48       |        |
| DSP0_DATA_D7- | Display 0 RSDS Data output pin | 49                 | 51       |        |
| DSP0_DATA_D7+ | Display 0 RSDS Data output pin | 48                 | 50       |        |
| DSP0_DATA_D8- | Display 0 RSDS Data output pin | 51                 | 53       |        |
| DSP0_DATA_D8+ | Display 0 RSDS Data output pin | 50                 | 52       |        |

| Port Name      | Description                     | Package Pin Number |          | Remark |
|----------------|---------------------------------|--------------------|----------|--------|
|                |                                 | TEQFP208           | TEQFP216 |        |
| DSP0_DATA_D9-  | Display 0 RSDS Data output pin  | 55                 | 57       |        |
| DSP0_DATA_D9+  | Display 0 RSDS Data output pin  | 54                 | 56       |        |
| DSP0_DATA_D10- | Display 0 RSDS Data output pin  | 57                 | 59       |        |
| DSP0_DATA_D10+ | Display 0 RSDS Data output pin  | 56                 | 58       |        |
| DSP0_DATA_D11- | Display 0 RSDS Data output pin  | 59                 | 61       |        |
| DSP0_DATA_D11+ | Display 0 RSDS Data output pin  | 58                 | 60       |        |
| DSP1_CLK       | Display 1 Clock output pin      | 199, 204           | 207, 212 |        |
| DSP1_CTRL0     | Display 1 Control output pin    | 200, 207           | 208, 215 |        |
| DSP1_CTRL1     | Display 1 Control output pin    | 201, 206           | 209, 214 |        |
| DSP1_CTRL2     | Display 1 Control output pin    | 198, 205           | 206, 213 |        |
| DSP1_DATA0_0   | Display 1 Data output pin       | 203                | 211      |        |
| DSP1_DATA0_1   | Display 1 Data output pin       | 201                | 209      |        |
| DSP1_DATA0_2   | Display 1 Data output pin       | 199                | 207      |        |
| DSP1_DATA0_3   | Display 1 Data output pin       | 197                | 205      |        |
| DSP1_DATA0_4   | Display 1 Data output pin       | 193                | 201      |        |
| DSP1_DATA0_5   | Display 1 Data output pin       | 191                | 199      |        |
| DSP1_DATA0_6   | Display 1 Data output pin       | 189                | 197      |        |
| DSP1_DATA0_7   | Display 1 Data output pin       | 187                | 195      |        |
| DSP1_DATA0_8   | Display 1 Data output pin       | 181                | 189      |        |
| DSP1_DATA0_9   | Display 1 Data output pin       | 179                | 187      |        |
| DSP1_DATA0_10  | Display 1 Data output pin       | 177                | 185      |        |
| DSP1_DATA0_11  | Display 1 Data output pin       | 175                | 183      |        |
| DSP1_DATA1_0   | Display 1 Data output pin       | 202                | 210      |        |
| DSP1_DATA1_1   | Display 1 Data output pin       | 200                | 208      |        |
| DSP1_DATA1_2   | Display 1 Data output pin       | 198                | 206      |        |
| DSP1_DATA1_3   | Display 1 Data output pin       | 196                | 204      |        |
| DSP1_DATA1_4   | Display 1 Data output pin       | 192                | 200      |        |
| DSP1_DATA1_5   | Display 1 Data output pin       | 190                | 198      |        |
| DSP1_DATA1_6   | Display 1 Data output pin       | 188                | 196      |        |
| DSP1_DATA1_7   | Display 1 Data output pin       | 186                | 194      |        |
| DSP1_DATA1_8   | Display 1 Data output pin       | 180                | 188      |        |
| DSP1_DATA1_9   | Display 1 Data output pin       | 178                | 186      |        |
| DSP1_DATA1_10  | Display 1 Data output pin       | 176                | 184      |        |
| DSP1_DATA1_11  | Display 1 Data output pin       | 174                | 182      |        |
| CAP0_CLK       | Video Capture 0 Clock input pin | 59                 | 61       |        |
| CAP0_DATA0     | Video Capture 0 Data input pin  | 31                 | 31       |        |
| CAP0_DATA1     | Video Capture 0 Data input pin  | 32                 | 32       |        |
| CAP0_DATA2     | Video Capture 0 Data input pin  | 33                 | 33       |        |
| CAP0_DATA3     | Video Capture 0 Data input pin  | 34                 | 34       |        |
| CAP0_DATA4     | Video Capture 0 Data input pin  | 35                 | 35       |        |
| CAP0_DATA5     | Video Capture 0 Data input pin  | 36                 | 36       |        |
| CAP0_DATA6     | Video Capture 0 Data input pin  | 37                 | 37       |        |
| CAP0_DATA7     | Video Capture 0 Data input pin  | 38                 | 38       |        |
| CAP0_DATA8     | Video Capture 0 Data input pin  | 39                 | 39       |        |
| CAP0_DATA9     | Video Capture 0 Data input pin  | 40                 | 40       |        |
| CAP0_DATA10    | Video Capture 0 Data input pin  | 41                 | 41       |        |
| CAP0_DATA11    | Video Capture 0 Data input pin  | 44                 | 44, 46   |        |
| CAP0_DATA12    | Video Capture 0 Data input pin  | 45                 | 45, 47   |        |
| CAP0_DATA13    | Video Capture 0 Data input pin  | 44, 46             | 46, 48   |        |

| Port Name    | Description  | Package Pin Number |          | Remark |
|--------------|--|--------------------|----------|--------|
|              |  | TEQFP208           | TEQFP216 |        |
| CAP0_DATA14  | Video Capture 0 Data input pin   | 45, 47             | 47, 49   |        |
| CAP0_DATA15  | Video Capture 0 Data input pin   | 46, 48             | 48, 50   |        |
| CAP0_DATA16  | Video Capture 0 Data input pin   | 47                 | 49       |        |
| CAP0_DATA17  | Video Capture 0 Data input pin   | 48                 | 50       |        |
| CAP0_DATA18  | Video Capture 0 Data input pin   | 49                 | 51       |        |
| CAP0_DATA19  | Video Capture 0 Data input pin   | 50                 | 52       |        |
| CAP0_DATA20  | Video Capture 0 Data input pin   | 51                 | 53       |        |
| CAP0_DATA21  | Video Capture 0 Data input pin   | 54                 | 56       |        |
| CAP0_DATA22  | Video Capture 0 Data input pin   | 55                 | 57       |        |
| CAP0_DATA23  | Video Capture 0 Data input pin   | 56                 | 58       |        |
| CAP0_DATA24  | Video Capture 0 Data input pin   | 82                 | 84       |        |
| CAP0_DATA25  | Video Capture 0 Data input pin   | 83                 | 85       |        |
| CAP0_DATA32  | Video Capture 0 Data input pin   | 56, 57             | 58, 59   |        |
| CAP0_DATA33  | Video Capture 0 Data input pin   | 58                 | 60       |        |
| CAP0_DATA34  | Video Capture 0 Data input pin   | 60                 | 62       |        |
| CAP0_DATA35  | Video Capture 0 Data input pin   | 57                 | 59       |        |
| INDICATOR0_0 | Indicator PWM output pin 0<br>It can also obtained from<br>INDICATOR0_1) | 92                 | 95       |        |
| INDICATOR0_1 | Indicator PWM output pin<br>(It can also obtained from<br>INDICATOR0_0)  | 170                | 178      |        |
| P0_00        | General-Purpose I/O port   | 40                 | 40       |        |
| P0_01        | General-Purpose I/O port   | 41                 | 41       |        |
| P0_02        | General-Purpose I/O port   | -                  | 44       |        |
| P0_03        | General-Purpose I/O port   | -                  | 45       |        |
| P0_04        | General-Purpose I/O port   | 44                 | 46       |        |
| P0_05        | General-Purpose I/O port   | 45                 | 47       |        |
| P0_06        | General-Purpose I/O port   | 46                 | 48       |        |
| P0_07        | General-Purpose I/O port   | 47                 | 49       |        |
| P0_08        | General-Purpose I/O port   | 48                 | 50       |        |
| P0_09        | General-Purpose I/O port   | 49                 | 51       |        |
| P0_10        | General-Purpose I/O port   | 50                 | 52       |        |
| P0_11        | General-Purpose I/O port   | 51                 | 53       |        |
| P0_12        | General-Purpose I/O port   | 54                 | 56       |        |
| P0_13        | General-Purpose I/O port   | 55                 | 57       |        |
| P0_14        | General-Purpose I/O port   | 56                 | 58       |        |
| P0_15        | General-Purpose I/O port   | 57                 | 59       |        |
| P0_16        | General-Purpose I/O port   | 58                 | 60       |        |
| P0_17        | General-Purpose I/O port   | 59                 | 61       |        |
| P0_18        | General-Purpose I/O port   | 32                 | 32       |        |
| P0_19        | General-Purpose I/O port   | 33                 | 33       |        |
| P0_26        | General-Purpose I/O port   | 82                 | 84       |        |
| P0_27        | General-Purpose I/O port   | 83                 | 85       |        |
| P0_28        | General-Purpose I/O port   | 84                 | 86       |        |
| P0_30        | General-Purpose I/O port   | 72                 | 74       |        |
| P0_31        | General-Purpose I/O port   | 75                 | 77       |        |
| P1_00        | General-Purpose I/O port   | 77                 | 79       |        |
| P1_01        | General-Purpose I/O port   | 76                 | 78       |        |
| P1_02        | General-Purpose I/O port   | 79                 | 81       |        |

| Port Name | Description              | Package Pin Number |          | Remark |
|-----------|--------------------------|--------------------|----------|--------|
|           |                          | TEQFP208           | TEQFP216 |        |
| P1_03     | General-Purpose I/O port | 78                 | 80       |        |
| P1_04     | General-Purpose I/O port | 69                 | 71       |        |
| P1_05     | General-Purpose I/O port | 66                 | 68       |        |
| P1_06     | General-Purpose I/O port | 68                 | 70       |        |
| P1_07     | General-Purpose I/O port | 67                 | 69       |        |
| P1_08     | General-Purpose I/O port | 70                 | 72       |        |
| P1_09     | General-Purpose I/O port | 63                 | 65       |        |
| P2_16     | General-Purpose I/O port | 170                | 178      |        |
| P2_17     | General-Purpose I/O port | 169                | 177      |        |
| P2_19     | General-Purpose I/O port | 159                | 165      |        |
| P2_22     | General-Purpose I/O port | 89                 | 91       |        |
| P2_24     | General-Purpose I/O port | -                  | 92       |        |
| P2_25     | General-Purpose I/O port | 90                 | 93       |        |
| P2_26     | General-Purpose I/O port | 91                 | 94       |        |
| P2_27     | General-Purpose I/O port | 92                 | 95       |        |
| P2_28     | General-Purpose I/O port | -                  | 96       |        |
| P2_29     | General-Purpose I/O port | 93                 | 97       |        |
| P2_30     | General-Purpose I/O port | 94                 | 98       |        |
| P2_31     | General-Purpose I/O port | 95                 | 99       |        |
| P3_00     | General-Purpose I/O port | 96                 | 100      |        |
| P3_01     | General-Purpose I/O port | 97                 | 101      |        |
| P3_02     | General-Purpose I/O port | 98                 | 102      |        |
| P3_03     | General-Purpose I/O port | 99                 | 103      |        |
| P3_04     | General-Purpose I/O port | 100                | 104      |        |
| P3_05     | General-Purpose I/O port | 101                | 105      |        |
| P3_06     | General-Purpose I/O port | 102                | 106      |        |
| P3_07     | General-Purpose I/O port | 160                | 166      |        |
| P3_08     | General-Purpose I/O port | 161                | 167      |        |
| P3_09     | General-Purpose I/O port | 162                | 168      |        |
| P3_10     | General-Purpose I/O port | -                  | 169      |        |
| P3_11     | General-Purpose I/O port | -                  | 170      |        |
| P3_12     | General-Purpose I/O port | 163                | 171      |        |
| P3_13     | General-Purpose I/O port | 164                | 172      |        |
| P3_14     | General-Purpose I/O port | 165                | 173      |        |
| P3_15     | General-Purpose I/O port | 166                | 174      |        |
| P3_16     | General-Purpose I/O port | 167                | 175      |        |
| P3_17     | General-Purpose I/O port | 168                | 176      |        |
| P3_18     | General-Purpose I/O port | 118                | 122      |        |
| P3_19     | General-Purpose I/O port | -                  | 123      |        |
| P3_20     | General-Purpose I/O port | -                  | 124      |        |
| P3_21     | General-Purpose I/O port | 127                | 133      |        |
| P3_22     | General-Purpose I/O port | 128                | 134      |        |
| P3_23     | General-Purpose I/O port | 129                | 135      |        |
| P3_24     | General-Purpose I/O port | 130                | 136      |        |
| P3_25     | General-Purpose I/O port | 131                | 137      |        |
| P3_26     | General-Purpose I/O port | 132                | 138      |        |
| P3_27     | General-Purpose I/O port | 133                | 139      |        |
| P3_28     | General-Purpose I/O port | 134                | 140      |        |
| P3_29     | General-Purpose I/O port | 137                | 143      |        |

| Port Name | Description              | Package Pin Number |          | Remark |
|-----------|--------------------------|--------------------|----------|--------|
|           |                          | TEQFP208           | TEQFP216 |        |
| P3_30     | General-Purpose I/O port | 138                | 144      |        |
| P3_31     | General-Purpose I/O port | 139                | 145      |        |
| P4_00     | General-Purpose I/O port | 140                | 146      |        |
| P4_01     | General-Purpose I/O port | 141                | 147      |        |
| P4_02     | General-Purpose I/O port | 142                | 148      |        |
| P4_03     | General-Purpose I/O port | 143                | 149      |        |
| P4_04     | General-Purpose I/O port | 144                | 150      |        |
| P4_05     | General-Purpose I/O port | 147                | 153      |        |
| P4_06     | General-Purpose I/O port | 148                | 154      |        |
| P4_07     | General-Purpose I/O port | 149                | 155      |        |
| P4_08     | General-Purpose I/O port | 150                | 156      |        |
| P4_09     | General-Purpose I/O port | 151                | 157      |        |
| P4_10     | General-Purpose I/O port | 152                | 158      |        |
| P4_11     | General-Purpose I/O port | 153                | 159      |        |
| P4_12     | General-Purpose I/O port | 154                | 160      |        |
| P4_25     | General-Purpose I/O port | 204                | 212      |        |
| P4_26     | General-Purpose I/O port | 205                | 213      |        |
| P4_27     | General-Purpose I/O port | 206                | 214      |        |
| P4_28     | General-Purpose I/O port | 207                | 215      |        |
| P4_29     | General-Purpose I/O port | 174                | 182      |        |
| P4_30     | General-Purpose I/O port | 175                | 183      |        |
| P4_31     | General-Purpose I/O port | 176                | 184      |        |
| P5_00     | General-Purpose I/O port | 177                | 185      |        |
| P5_01     | General-Purpose I/O port | 178                | 186      |        |
| P5_02     | General-Purpose I/O port | 179                | 187      |        |
| P5_03     | General-Purpose I/O port | 180                | 188      |        |
| P5_04     | General-Purpose I/O port | 181                | 189      |        |
| P5_05     | General-Purpose I/O port | 186                | 194      |        |
| P5_06     | General-Purpose I/O port | 187                | 195      |        |
| P5_07     | General-Purpose I/O port | 188                | 196      |        |
| P5_08     | General-Purpose I/O port | 189                | 197      |        |
| P5_09     | General-Purpose I/O port | 190                | 198      |        |
| P5_10     | General-Purpose I/O port | 191                | 199      |        |
| P5_11     | General-Purpose I/O port | 192                | 200      |        |
| P5_12     | General-Purpose I/O port | 193                | 201      |        |
| P5_13     | General-Purpose I/O port | 196                | 204      |        |
| P5_14     | General-Purpose I/O port | 197                | 205      |        |
| P5_15     | General-Purpose I/O port | 198                | 206      |        |
| P5_16     | General-Purpose I/O port | 199                | 207      |        |
| P5_17     | General-Purpose I/O port | 200                | 208      |        |
| P5_18     | General-Purpose I/O port | 201                | 209      |        |
| P5_19     | General-Purpose I/O port | 202                | 210      |        |
| P5_20     | General-Purpose I/O port | 203                | 211      |        |
| P5_21     | General-Purpose I/O port | 31                 | 31       |        |
| P5_22     | General-Purpose I/O port | 60                 | 62       |        |
| P5_27     | General-Purpose I/O port | 34                 | 34       |        |
| P5_28     | General-Purpose I/O port | 35                 | 35       |        |
| P5_29     | General-Purpose I/O port | 36                 | 36       |        |
| P5_30     | General-Purpose I/O port | 37                 | 37       |        |

| Port Name | Description              | Package Pin Number |          | Remark   |
|-----------|--------------------------|--------------------|----------|--|
|           |                          | TEQFP208           | TEQFP216 |  |
| P5_31     | General-Purpose I/O port | 38                 | 38       |  |
| P6_00     | General-Purpose I/O port | 39                 | 39       |  |
| EP        | Exposed Pad              | -                  | -        | Connect the exposed pad to ground. The exposed pad is isolated with epoxy to the substrate of the die, making it an excellent path to remove heat from the IC. |

## 6.2 Remark

### Notes:

- The port description list shows the port function of description, which is mounted and supported on the product. The function, which is not described in this table, is not supported and assured.
- See the function list of the product as well.

## 7. Precautions and Handling Devices

### 7.1 Handling Precautions

Any semiconductor devices have inherently a certain rate of failure. The possibility of failure is greatly affected by the conditions in which they are used (circuit conditions, environmental conditions, etc.). This page describes precautions that must be observed to minimize the chance of failure and to obtain higher reliability from your Cypress semiconductor devices.

#### 7.1.1 Precautions for Product Design

This section describes precautions when designing electronic equipment using semiconductor devices.

### Absolute Maximum Ratings

Semiconductor devices can be permanently damaged by application of stress (voltage, current, temperature, etc.) in excess of certain established limits, called absolute maximum ratings. Do not exceed these ratings.

### Recommended Operating Conditions

Recommended operating conditions are normal operating ranges for the semiconductor device. All the device's electrical characteristics are warranted when operated within these ranges.

Always use semiconductor devices within the recommended operating conditions. Operation outside these ranges may adversely affect reliability and could result in device failure.

No warranty is made with respect to uses, operating conditions, or combinations not represented on the data sheet. Users considering application outside the listed conditions are advised to contact their sales representative beforehand.

### Processing and Protection of Pins

These precautions must be followed when handling the pins which connect semiconductor devices to power supply and input/output functions.

#### (1) Preventing Over-Voltage and Over-Current Conditions

Exposure to voltage or current levels in excess of maximum ratings at any pin is likely to cause deterioration within the device and in extreme cases leads to permanent damage of the device. Try to prevent such overvoltage or over-current conditions at the design stage.

#### (2) Protection of Output Pins

Shorting of output pins to supply pins or other output pins, or connection to large capacitance can cause large current flows. Such conditions if present for extended periods of time can damage the device.

Therefore, avoid this type of connection.

#### (3) Handling of Unused Input Pins

Unconnected input pins with very high impedance levels can adversely affect stability of operation. Such pins should be connected through an appropriate resistance to a power supply pin or ground pin.

### **7.1.2 Precautions for Package Mounting**

Package mounting may be either lead insertion type or surface mount type. In either case, for heat resistance during soldering, you should only mount under Cypress recommended conditions. For detailed information about mount conditions, contact your sales representative.

#### **Lead Insertion Type**

Mounting of lead insertion type packages onto printed circuit boards may be done by two methods: direct soldering on the board, or mounting by using a socket.

Direct mounting onto boards normally involves processes for inserting leads into through-holes on the board and using the flow soldering (wave soldering) method of applying liquid solder. In this case, the soldering process usually causes leads to be subjected to thermal stress in excess of the absolute ratings for storage temperature. Mounting processes should conform to Cypress recommended mounting conditions.

If socket mounting is used, differences in surface treatment of the socket contacts and IC lead surfaces can lead to contact deterioration after long periods. For this reason, it is recommended that the surface treatment of socket contacts and IC leads be verified before mounting.

#### **Surface Mount Type**

Surface mount packaging has longer and thinner leads than lead-insertion packaging, and therefore leads are more easily deformed or bent. The use of packages with higher pin counts and narrower pin pitch results in increased susceptibility to open connections caused by deformed pins, or shorting due to solder bridges.

You must use appropriate mounting techniques. Cypress recommends the solder reflow method, and has established a ranking of mounting conditions for each product. Users are advised to mount packages in accordance with Cypress ranking of recommended conditions.

#### **Lead-Free Packaging**

**CAUTION:** When ball grid array (BGA) packages with Sn-Ag-Cu balls are mounted using Sn-Pb eutectic soldering, junction strength may be reduced under some conditions of use.

#### **Storage of Semiconductor Devices**

Because plastic chip packages are formed from plastic resins, exposure to natural environmental conditions will cause absorption of moisture. During mounting, the application of heat to a package that has absorbed moisture can cause surfaces to peel, reducing moisture resistance and causing packages to crack. To prevent, do the following:

- (1) Avoid exposure to rapid temperature changes, which cause moisture to condense inside the product. Store products in locations where temperature changes are slight.
- (2) Use dry boxes for product storage. Products should be stored below 70% relative humidity, and at temperatures between 5 °C and 30 °C. When you open Dry Package that recommends humidity 40% to 70% relative humidity.
- (3) When necessary, Cypress packages semiconductor devices in highly moisture-resistant aluminum laminate bags, with a silica gel desiccant. Devices should be sealed in their aluminum laminate bags for storage.
- (4) Avoid storing packages where they are exposed to corrosive gases or high levels of dust.

#### **Baking**

Packages that have absorbed moisture may be de-moisturized by baking (heat drying). Follow the Cypress recommended conditions for baking.

Condition: 125 °C/24 h

### **Static Electricity**

Because semiconductor devices are particularly susceptible to damage by static electricity, you must take the following precautions:

- (1) Maintain relative humidity in the working environment between 40% and 70%.  
Use of an apparatus for ion generation may be needed to remove electricity.
- (2) Electrically ground all conveyors, solder vessels, soldering irons and peripheral equipment.
- (3) Eliminate static body electricity by the use of rings or bracelets connected to ground through high resistance (on the level of 1 MΩ).  
Wearing of conductive clothing and shoes, use of conductive floor mats and other measures to minimize shock loads is recommended.
- (4) Ground all fixtures and instruments, or protect with anti-static measures.
- (5) Avoid the use of styrofoam or other highly static-prone materials for storage of completed board assemblies.

#### **7.1.3 Precautions for Use Environment**

Reliability of semiconductor devices depends on ambient temperature and other conditions as described above.

For reliable performance, do the following:

- (1) Humidity  
Prolonged use in high humidity can lead to leakage in devices as well as printed circuit boards. If high humidity levels are anticipated, consider anti-humidity processing.
- (2) Discharge of Static Electricity  
When high-voltage charges exist close to semiconductor devices, discharges can cause abnormal operation. In such cases, use anti-static measures or processing to prevent discharges.
- (3) Corrosive Gases, Dust, or Oil  
Exposure to corrosive gases or contact with dust or oil may lead to chemical reactions that will adversely affect the device. If you use devices in such conditions, consider ways to prevent such exposure or to protect the devices.
- (4) Radiation, Including Cosmic Radiation  
Most devices are not designed for environments involving exposure to radiation or cosmic radiation. Users should provide shielding as appropriate.
- (5) Smoke, Flame  
**CAUTION:** Plastic molded devices are flammable, and therefore should not be used near combustible substances. If devices begin to smoke or burn, there is danger of the release of toxic gases.

Customers considering the use of Cypress products in other special environmental conditions should consult with sales representatives.

## 7.2 Handling Devices

### For Latch-Up Prevention

The latch-up phenomenon may occur on a CMOS IC in the following cases: the voltage applied to an input or output pin is higher than VCC or lower than VSS; or the voltage applied between a VCC pin and a VSS pin exceeds the rating. A latch-up causes a rapid increase in the power supply current, possibly resulting in thermal damage to an element. When using the device, take sufficient care not to exceed the maximum rating.

### About Handling Unused Pins

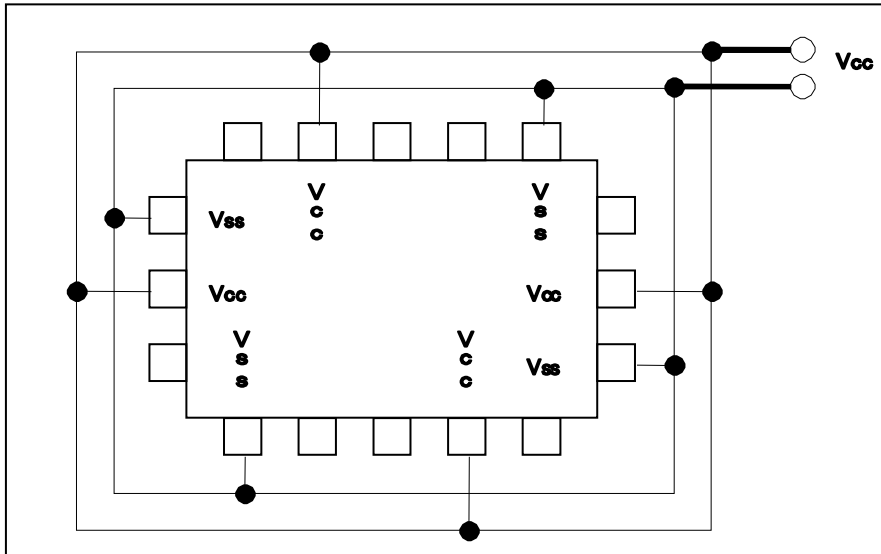
Leaving unused input pins open may cause permanent damage from a malfunction or latch-up. Take measures for unused pins, such as pulling up or pulling down the voltage with resistors of 2 kΩ or higher.

If there are any unused input/output pins, set them to the output state and then open them, or set them to the input state and handle them in the same way as input pins.

### About Power Supply Pins

If the device has multiple VCC and VSS pins, the device is designed in such a way that the pins that should be at the same potential are connected to each other inside the device to prevent malfunctions such as latch-up. However, to reduce unwanted emissions, prevent malfunctions of strobe signals caused by an increase of the ground level, and observe standards on total output current, be sure to connect all the VCC and VSS pins to the power source and ground externally. Also handle all the VSS power supply pins in this way as shown in the following diagram. If there are multiple VCC or VSS systems, the device does not operate normally even within the guaranteed operating range.

Figure 7-1 Pin Assignment



In addition, consider connecting with low impedance from the power supply source to the VCC and VSS of this device.

We recommend connecting a ceramic capacitor as a bypass capacitor between VCC and VSS, near this device.

### About the Crystal Oscillation Circuit

Noise entering the X0 or X1 pin may cause a malfunction. Design the printed circuit board in such a way that the X0 and X1 pins, the crystal oscillator (or ceramic resonator), and a bypass capacitor to ground are located very close to the device.

We recommend that the printed circuit board artwork have the X0 and X1 pins enclosed by ground.

### About the Mode Pin (MD)

Use mode pin MD by directly connecting it to a VCC or VSS pin. To prevent noise from causing the device to accidentally enter test mode, reduce the pattern length between each mode pin and a VCC or VSS pin on the printed circuit board, and connect them with low impedance.

### Point to Note during PLL Clock Operation

While a PLL clock is selected, if the oscillator breaks off or input stops, the PLL clock may continue operating with the free running frequency of the internal self-oscillator circuit. This operation is outside of the guaranteed range.

### Power Supply Pin Processing of an A/D Converter

Even when no A/D converter is used, establish a connection such that  $AVCC=AVRH=VCC$  and  $AVSS=VSS$ .

### Points to Note about Using External Clocks

External clocks are not supported.

External direct clock input cannot be used.

### Power-on Sequence of the Power Supply Analog Inputs of an A/D Converter

Be sure to turn on the digital power supply (VCC) before the application of the power supplies (AVCC, AVRH, and AVSS) and analog inputs (AN0 to AN63) of an A/D converter.

At the power-off time, turn off the power supplies and analog inputs of the A/D converter, and then turn off the digital power supply (VCC). Perform these power-on and power-off operations without AVRH exceeding AVCC. Even when using a pin shared with an analog input as an input port, do not allow the input voltage to exceed AVCC. (Turning on or off the analog supply voltage and digital supply voltage simultaneously is not a problem.)

### Method to Switch off VCC12 during Power-off Sequence

□ For revision M, P

During power-off sequence, it is necessary to switch off VCC12 by driving PSC1 pin low by entering PSS mode (power domain 2 off). If VCC12 needs to be switched off by other means, RSTX needs to be asserted before switching off VCC12 to inactivate the operation of VCC12 supplied domain below the operation assurance range.

□ For except revision M, P

During power-off sequence, it is necessary to switch off VCC12 by driving PSC1 pin low by entering PSS mode (power domain 2 off). If VCC12 needs to be switched off by other means, VCC5 needs ramping down to occur LVDH1 reset before switching off VCC12 to inactivate the operation of VCC12 supplied domain below the operation assurance range.

### About C Pin Processing

This device has a built-in voltage step-down circuit. Be sure to connect a capacitor to the C pin (refer to the pin assignment) for internal stabilization of the device. For the standard values, see "Recommended operating conditions" in the latest data sheet.

### Precautions on Designing a Mounting Substrate

Measures against heat generation from the package must be taken for the mounting substrate to observe the absolute maximum rating (operating temperature). Design a mounting substrate with 4 or more layers. Connect the back of the package stage and the substrate pad with solder paste. Arrange thermal via holes on the substrate pad.

### Notes on Writing to a Register Containing a Status Flag

In writing to a register containing a status flag (particularly an interrupt request flag, etc.) to control a function, it is important to take care not to accidentally clear the status flag.

Therefore, before the write operation, configure the status bit such that the flag is not cleared, and then set the control bit to the desired value.

Especially for control bits configured as a set of multiple bits, bit instructions cannot be used (bit instructions have only 1-bit access). In such cases, byte, half-word, or word access is used to write to the control bits and a status flag simultaneously. However, at this time, be careful not to accidentally clear bits other than the intended ones (the status flag bit in this case).

Note: Bit instructions take this point into account for registers that support bit-band units, so it does not need to be a concern. You need to take care when using bit instructions for registers that do not support bit-band units.

## 8. Electric Characteristics

### 8.1 Absolute Maximum Rating

| Parameter                                      | Symbol                     | Rating               |   | Unit | Remarks  |
|--|----------------------------|----------------------|---|------|--|
|  |                            | Min                  | Max   |      |  |
| Power supply voltage <sup>*1, *2</sup>         | V <sub>CC5</sub>           | V <sub>SS</sub> -0.3 | V <sub>SS</sub> +6.0                            | V    |  |
|  | V <sub>CC53</sub>          | V <sub>SS</sub> -0.3 | V <sub>SS</sub> +6.0                            | V    | V <sub>CC53</sub> ≤ V <sub>CC5</sub>   |
|  | V <sub>CC3</sub>           | V <sub>SS</sub> -0.3 | V <sub>SS</sub> +4.0                            | V    | V <sub>CC3</sub> ≤ V <sub>CC5</sub>  |
|  | DV <sub>CC</sub>           | V <sub>SS</sub> -0.3 | V <sub>SS</sub> +6.0                            | V    | DV <sub>CC</sub> ≤ V <sub>CC5</sub>  |
|  | V <sub>CC12</sub>          | V <sub>SS</sub> -0.3 | V <sub>SS</sub> +1.8                            | V    | V <sub>CC12</sub> ≤ V <sub>CC53</sub><br>V <sub>CC12</sub> ≤ V <sub>CC3</sub><br>V <sub>CC12</sub> ≤ DV <sub>CC</sub><br>V <sub>CC12</sub> ≤ AV <sub>CC5</sub> |
| Analog supply voltage <sup>*1, *2</sup>        | AV <sub>CC5</sub>          | V <sub>SS</sub> -0.3 | V <sub>SS</sub> +6.0                            | V    | AV <sub>CC5</sub> ≤ V <sub>CC5</sub>   |
|  | AV <sub>CC3_DAC</sub>      | V <sub>SS</sub> -0.3 | V <sub>SS</sub> +4.0                            | V    | for DAC  |
|  | V <sub>CC3_LVDS_Tx</sub>   | V <sub>SS</sub> -0.3 | V <sub>SS</sub> +4.0                            | V    | for LVDS   |
|  | AV <sub>CC3_LVDS_PLL</sub> | V <sub>SS</sub> -0.3 | V <sub>SS</sub> +4.0                            | V    | for LVDS PLL   |
| Analog reference voltage <sup>*1</sup>         | AVRH5                      | V <sub>SS</sub> -0.3 | V <sub>SS</sub> +6.0                            | V    | AVRH5 ≤ AV <sub>CC5</sub>  |
| Input voltage <sup>*1</sup>                    | V <sub>I1</sub>            | V <sub>SS</sub> -0.3 | V <sub>CC5</sub> +0.3                           | V    | 5-V pins not shared SMC  |
|  | V <sub>I2</sub>            | V <sub>SS</sub> -0.3 | DV <sub>CC</sub> +0.3                           | V    | 5-V pins shared SMC  |
|  | V <sub>I3</sub>            | V <sub>SS</sub> -0.3 | V <sub>CC3</sub> +0.3                           | V    | 3-V pins   |
|  | V <sub>IE</sub>            | V <sub>SS</sub> -0.3 | V <sub>CC53</sub> +0.3                          | V    | 5-V/3-V pins   |
| Input voltage for shared ADC <sup>*1</sup>     | V <sub>IA1</sub>           | V <sub>SS</sub> -0.3 | V <sub>CC5</sub> +0.3<br>AV <sub>CC5</sub> +0.3 | V    | 5-V pins not shared SMC  |
|  | V <sub>IA2</sub>           | V <sub>SS</sub> -0.3 | DV <sub>CC</sub> +0.3<br>AV <sub>CC5</sub> +0.3 | V    | 5-V pins shared SMC  |
| Output voltage <sup>*1</sup>                   | V <sub>O1</sub>            | V <sub>SS</sub> -0.3 | V <sub>CC5</sub> +0.3                           | V    | 5-V pins not shared SMC <sup>*13</sup>   |
|  | V <sub>O2</sub>            | V <sub>SS</sub> -0.3 | DV <sub>CC</sub> +0.3                           | V    | 5-V pins shared SMC <sup>*13</sup>   |
|  | V <sub>O3</sub>            | V <sub>SS</sub> -0.3 | V <sub>CC3</sub> +0.3                           | V    | 3-V pins   |
|  | V <sub>O4</sub>            | V <sub>SS</sub> -0.3 | V <sub>CC53</sub> +0.3                          | V    | 5-V/3-V pins   |
| Maximum clamp current                          | I <sub>CLAMP</sub>         | -                    | 4   | mA   | <sup>*12, *A</sup>   |
| Total maximum clamp current                    | Σ I <sub>CLAMP</sub>       | -                    | 20  | mA   | <sup>*12, *A</sup>   |
| "L"-level maximum output current <sup>*3</sup> | I <sub>OL1</sub>           | -                    | 3.5   | mA   | When setting is 1 mA <sup>*6, *7, *8</sup>   |
|  | I <sub>OL2</sub>           | -                    | 7   | mA   | When setting is 2 mA <sup>*6, *7, *8, *9</sup>   |
|  | I <sub>OL3</sub>           | -                    | 10  | mA   | When setting is 5 mA <sup>*6, *7, *8, *9</sup>   |
|  | I <sub>OL4</sub>           | -                    | 16  | mA   | When setting is 10 mA <sup>*9</sup>  |
|  | I <sub>OL5</sub>           | -                    | 30  | mA   | When setting is 20 mA <sup>*9</sup>  |
|  | I <sub>OL6</sub>           | -                    | 40  | mA   | When setting is 30 mA <sup>*7</sup>  |
|  | I <sub>OL7</sub>           | -                    | 8   | mA   | When setting is 3 mA <sup>*10</sup>  |
|  | I <sub>OL8</sub>           | -                    | 11  | mA   | When setting is 6 mA <sup>*11</sup>  |

| Parameter  | Symbol             | Rating |      | Unit | Remarks  |
|--|--------------------|--------|------|------|--|
|  |                    | Min    | Max  |      |  |
| "L"-level average output current <sup>*4</sup>     | I <sub>OLAV1</sub> | -      | 1    | mA   | When setting is 1 mA <sup>*6, *7, *8</sup>     |
|  | I <sub>OLAV2</sub> | -      | 2    | mA   | When setting is 2 mA <sup>*6, *7, *8, *9</sup> |
|  | I <sub>OLAV3</sub> | -      | 5    | mA   | When setting is 5 mA <sup>*6, *7, *8, *9</sup> |
|  | I <sub>OLAV4</sub> | -      | 10   | mA   | When setting is 10 mA <sup>*9</sup>            |
|  | I <sub>OLAV5</sub> | -      | 20   | mA   | When setting is 20 mA <sup>*9</sup>            |
|  | I <sub>OLAV6</sub> | -      | 30   | mA   | When setting is 30 mA <sup>*7</sup>            |
|  | I <sub>OLAV7</sub> | -      | 3    | mA   | When setting is 3 mA <sup>*10</sup>            |
|  | I <sub>OLAV8</sub> | -      | 6    | mA   | When setting is 6 mA <sup>*11</sup>            |
| "L"-level total output current <sup>*5</sup>       | ΣI <sub>OL1</sub>  | -      | 50   | mA   | <sup>*6, *10</sup>                             |
|  | ΣI <sub>OL2</sub>  | -      | 250  | mA   | <sup>*7</sup>                                  |
|  | ΣI <sub>OL3</sub>  | -      | 50   | mA   | <sup>*8</sup>                                  |
|  | ΣI <sub>OL4</sub>  | -      | 50   | mA   | <sup>*9, *11</sup>                             |
| "H"-level maximum output current <sup>*3</sup>     | I <sub>OH1</sub>   | -      | -3.5 | mA   | When setting is 1 mA <sup>*6, *7, *8</sup>     |
|  | I <sub>OH2</sub>   | -      | -7   | mA   | When setting is 2 mA <sup>*6, *7, *8, *9</sup> |
|  | I <sub>OH3</sub>   | -      | -10  | mA   | When setting is 5 mA <sup>*6, *7, *8, *9</sup> |
|  | I <sub>OH4</sub>   | -      | -16  | mA   | When setting is 10 mA <sup>*9</sup>            |
|  | I <sub>OH5</sub>   | -      | -30  | mA   | When setting is 20 mA <sup>*9</sup>            |
|  | I <sub>OH6</sub>   | -      | -40  | mA   | When setting is 30 mA <sup>*7</sup>            |
| "H"-level average output current <sup>*4</sup>     | I <sub>OHAV1</sub> | -      | -1   | mA   | When setting is 1 mA <sup>*6, *7, *8</sup>     |
|  | I <sub>OHAV2</sub> | -      | -2   | mA   | When setting is 2 mA <sup>*6, *7, *8, *9</sup> |
|  | I <sub>OHAV3</sub> | -      | -5   | mA   | When setting is 5 mA <sup>*6, *7, *8, *9</sup> |
|  | I <sub>OHAV4</sub> | -      | -10  | mA   | When setting is 10 mA <sup>*9</sup>            |
|  | I <sub>OHAV5</sub> | -      | -20  | mA   | When setting is 20 mA <sup>*9</sup>            |
|  | I <sub>OHAV6</sub> | -      | -30  | mA   | When setting is 30 mA <sup>*7</sup>            |
| "H"-level total output current <sup>*5</sup>       | ΣI <sub>OH1</sub>  | -      | -50  | mA   | <sup>*6, *10</sup>                             |
|  | ΣI <sub>OH2</sub>  | -      | -250 | mA   | <sup>*7</sup>                                  |
|  | ΣI <sub>OH3</sub>  | -      | -50  | mA   | <sup>*8</sup>                                  |
|  | ΣI <sub>OH4</sub>  | -      | -50  | mA   | <sup>*9, *11</sup>                             |
| Power dissipation and Operation temperature Case 1 | P <sub>D</sub>     | -      | 3300 | mW   | -  |
|  | T <sub>A</sub>     | -40    | +97  | °C   | Both should be satisfied.                      |
|  | T <sub>C</sub>     | -40    | +144 | °C   |  |
| Power dissipation and Operation temperature Case 2 | P <sub>D</sub>     | -      | 3150 | mW   | -  |
|  | T <sub>A</sub>     | -40    | +100 | °C   | Both should be satisfied.                      |
|  | T <sub>C</sub>     | -40    | +144 | °C   |  |
| Power dissipation and Operation temperature Case 3 | P <sub>D</sub>     | -      | 3000 | mW   | -  |
|  | T <sub>A</sub>     | -40    | +102 | °C   | Both should be satisfied.                      |
|  | T <sub>C</sub>     | -40    | +144 | °C   |  |
| Power dissipation and Operation temperature Case 4 | P <sub>D</sub>     | -      | 2900 | mW   | -  |
|  | T <sub>A</sub>     | -40    | +105 | °C   | Both should be satisfied.                      |
|  | T <sub>C</sub>     | -40    | +144 | °C   |  |
| Power dissipation and Operation temperature Case 5 | P <sub>D</sub>     | -      | 2800 | mW   | -  |
|  | T <sub>A</sub>     | -40    | +105 | °C   | Both should be satisfied.                      |
|  | T <sub>C</sub>     | -40    | +144 | °C   |  |

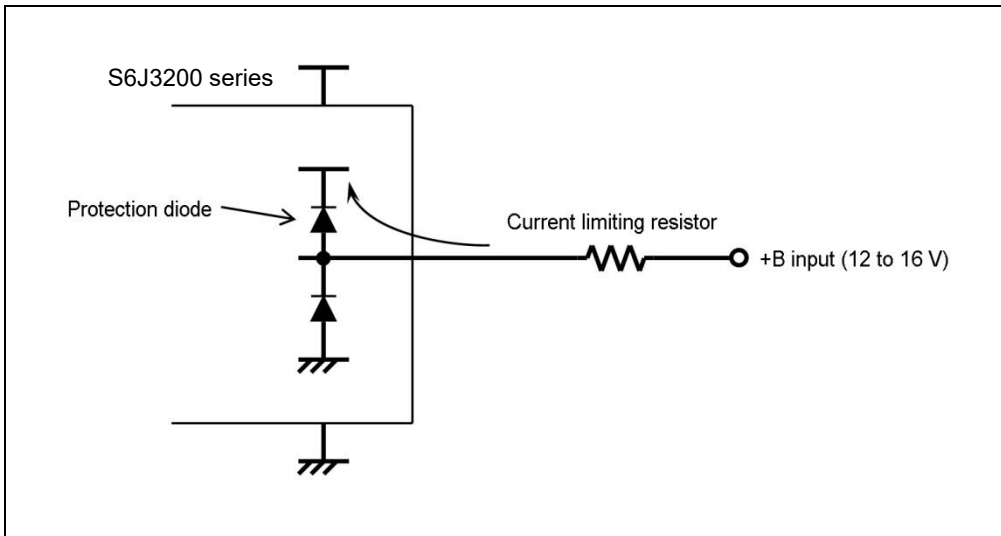
| Parameter                  | Symbol    | Rating |      | Unit | Remarks  |
|----------------------------|-----------|--------|------|------|--|
|                            |           | Min    | Max  |      |  |
| System Thermal Resistance  | Theta j-a | -      | 16   | °C/W | The minimum value depends on the system specification of heat radiation. The described value is estimated under the condition which is specified at Operation Assurance Condition. |
| Package Thermal Resistance | Theta j-c | -      | 7.5  | °C/W | -  |
| Storage temperature        | Tstg      | -55    | +150 | °C   | -  |

- \*1: These parameters are based on the condition that VSS=AVSS=DVSS=0.0 V.
- \*2: Take care that DVCC, AVCC5 do not exceed VCC5 at, for example, the power-on time.
- \*3: The maximum output current is defined as the value of the peak current flowing through any one of the corresponding pins.
- \*4: The average output current is defined as the value of the average current flowing through any one of the corresponding pins for a 10 ms period. The average value is the operation current × the operation ratio.
- \*5: The total output current is defined as the maximum current value flowing through all of corresponding pins.
- \*6: Output of 5-V pins.
- \*7: Output of SMC pins.
- \*8: Output of 5-V/3-V pins.
- \*9: Output of 3-V pins.
- \*10: Output of I<sup>2</sup>C.
- \*11: Output of Media LB pins
- \*12: VI or VO should never exceed the specified ratings. However, if the maximum current to/from an input is limited by a suitable external resistor, the ICLAMP rating supersedes the VI rating.
- \*13: Take care that the output voltage does not exceed AVCC5 + 0.3 V because ADC Analog input pins (AN0-49) are internally connected to the analog elements.

\*A: Relevant pins: All general-purpose ports and analog input pins

- Corresponding pins: all general-purpose ports
- Use within the operation assurance condition (See [8.2. Operation Assurance Condition](#)).
- Use at DC voltage (current).
- The +B signal should always be applied by connecting a limiting resistor between the +B signal and the microcontroller.
- The value of the limiting resistor should be set so that the current input to the microcontroller pin does not exceed rated values at any time regardless of instantaneously or constantly when the +B signal is input.
- Note that when the microcontroller drive current is low, such as in the low power consumption modes, the + B input potential can increase the potential at the VCC pin via a protective diode, possibly affecting other devices.
- Note that if the + B signal is input when the microcontroller is off (not fixed at 0 V), since the power is supplied through the pin, the microcontroller may operate incompletely.
- Note that if the +B signal is input at power-on, since the power is supplied through the pin, the power-on reset may not function in the power supply voltage.
- Do not leave + B input pins open.

Example of a recommended circuit



**WARNING:**

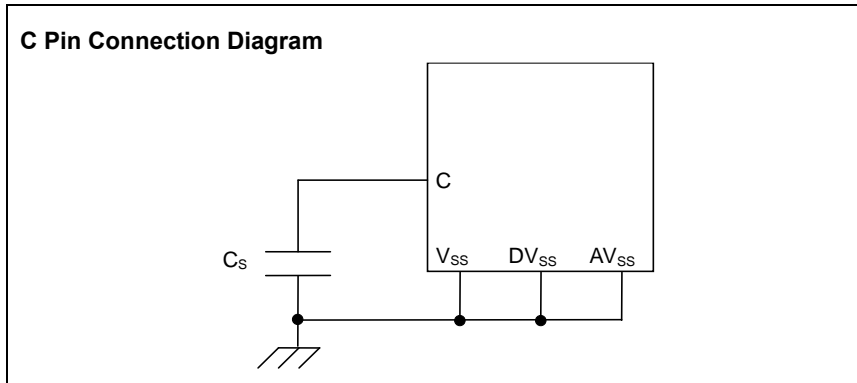
- *Semiconductor devices may be permanently damaged by application of stress (including, without limitation, voltage, current or temperature) in excess of absolute maximum ratings. Do not exceed any of these ratings.*

8.2 Operation Assurance Condition

| Parameter                  | Symbol  |                            | Value                    |      | Unit | Remarks   |
|----------------------------|---|----------------------------|--------------------------|------|------|---|
|                            | Power Supply  | Corresponding Ground       | Min                      | Max  |      |   |
| Supply voltage             | V <sub>CC5</sub>  | V <sub>SS</sub>            | 4.5                      | 5.5  | V    | Specified electric characteristics are assured in this range. |
|                            | V <sub>CC53</sub> *1  | V <sub>SS</sub>            | 4.5                      | 5.5  | V    |   |
|                            |   |                            | 3.0                      | 3.6  | V    |   |
|                            | DV <sub>CC</sub>  | DV <sub>SS</sub>           | 4.5                      | 5.5  | V    |   |
|                            | AV <sub>CC5</sub>   | AV <sub>SS</sub>           | 4.5                      | 5.5  | V    |   |
|                            | V <sub>CC3</sub>  | V <sub>SS</sub>            | 3.0                      | 3.6  | V    |   |
|                            | V <sub>CC12</sub>   | V <sub>SS</sub>            | 1.15*2                   | 1.3  | V    |   |
|                            |   |                            | 1.1                      | 1.3  | V    |   |
|                            | AV <sub>CC3_DAC</sub>   | AV <sub>SS3_DAC</sub>      | 3.0                      | 3.6  | V    |   |
|                            | V <sub>CC3_LVDS_Tx</sub>  | V <sub>SS3_LVDS_Tx</sub>   | 3.0                      | 3.6  | V    |   |
|                            | AV <sub>CC3_LVDS_PLL</sub>  | AV <sub>SS3_LVDS_PLL</sub> | 3.0                      | 3.6  | V    |   |
|                            | Specified electric characteristics are NOT assured in this range. | V <sub>CC5</sub>           | V <sub>SS</sub>          | 3.5  | 5.5  | V   |
|                            |   | V <sub>CC53</sub> *1       | V <sub>SS</sub>          | 2.7  | 5.5  | V   |
|                            |   | DV <sub>CC</sub>           | DV <sub>SS</sub>         | 3.5  | 5.5  | V   |
|                            |   | AV <sub>CC5</sub>          | AV <sub>SS</sub>         | 3.5  | 5.5  | V   |
|                            |   | V <sub>CC3</sub>           | V <sub>SS</sub>          | 2.7  | 3.6  | V   |
|                            |   | AV <sub>CC3_DAC</sub>      | AV <sub>SS3_DAC</sub>    | 2.7  | 3.6  | V   |
|                            |   | V <sub>CC3_LVDS_Tx</sub>   | V <sub>SS3_LVDS_Tx</sub> | 2.7  | 3.6  | V   |
| AV <sub>CC3_LVDS_PLL</sub> | AV <sub>SS3_LVDS_PLL</sub>  | 2.7                        | 3.6                      | V    |      |   |
| Smoothing capacitor*3      | C <sub>s</sub>  | -                          | 4.7                      |      | μF   | Tolerance of up to ±40%                                       |
| Operating temperature      | T <sub>A</sub>  | -                          | -40                      | +105 | °C   | See the notes below.  |
|                            | T <sub>C</sub>  | -                          | -40                      | +144 | °C   |   |

Notes:

- \*1. V<sub>CC53</sub> should be connected with either V<sub>CC5</sub> or V<sub>CC3</sub> on your system board because LVD does not support V<sub>CC53</sub> itself.
- \*2. The value is only applied to the product series with revision digit A.
- \*3. For the connections of smoothing capacitor C<sub>s</sub>, see the following diagram.
- Power supply sequence is recommended as  
V<sub>CC5</sub> → [DV<sub>CC</sub> or AV<sub>CC5</sub> or V<sub>CC3</sub> or AV<sub>CC3</sub>] → V<sub>CC12</sub> → [AV<sub>CC3\_LVDS\_PLL</sub> or V<sub>CC3\_LVDS\_TX</sub>]  
V<sub>CC5</sub> → [AV<sub>CC5</sub> or DV<sub>CC</sub>] → [V<sub>CC12</sub> or V<sub>CC3</sub> or AV<sub>CC3\_DAC</sub>] → [AV<sub>CC3\_LVDS\_PLL</sub> or V<sub>CC3\_LVDS\_TX</sub>]  
V<sub>CC5</sub> → AV<sub>CC5</sub> → [DV<sub>CC</sub> or V<sub>CC12</sub> or V<sub>CC3</sub> or AV<sub>CC3\_DAC</sub>] → [AV<sub>CC3\_LVDS\_PLL</sub> or V<sub>CC3\_LVDS\_TX</sub>]
- Note that power supplies inside "[ ]" can be turned on in arbitrary order.



**WARNING:**

1. The recommended operating conditions are required in order to ensure the normal operation of the semiconductor device. All of the device's electrical characteristics are warranted when the device is operated under these conditions.
2. Any use of semiconductor devices will be under their recommended operating condition.
3. Operation under any conditions other than these conditions may adversely affect reliability of device and could result in device failure.
4. No warranty is made with respect to any use, operating conditions or combinations not represented on this datasheet. If you are considering application under any conditions other than listed herein, please contact sales representatives beforehand.

**Notes:**

- $T_A$ : Ambient temperature (JEDEC)
- $T_C$ : Case temperature (JEDEC), the maximum measured temperature of package case top.
- Both rating of  $T_A$  and  $T_C$  should simultaneously be satisfied as maximum operation temperature.
- The following condition should be satisfied in order to facilitate heat dissipation.
  1. Four or more layers PCB should be used.
  2. The area of PCB should be 114.3 mm x 76.2 mm or more, and the thickness should be 1.6 mm or more. (JEDEC standard)
  3. One layer of middle layers at least should be used for dedicated layer to radiate heat with residual copper rate 90% or more. The layer can be used for system ground.
  4. 35% or more of the die stage area which is exposed at back surface of package should be soldered to a part of 1<sup>st</sup> layer.
  5. The part of 1<sup>st</sup> layer should be connected to the dedicated heat radiation layer with more than 10 thermal via holes.

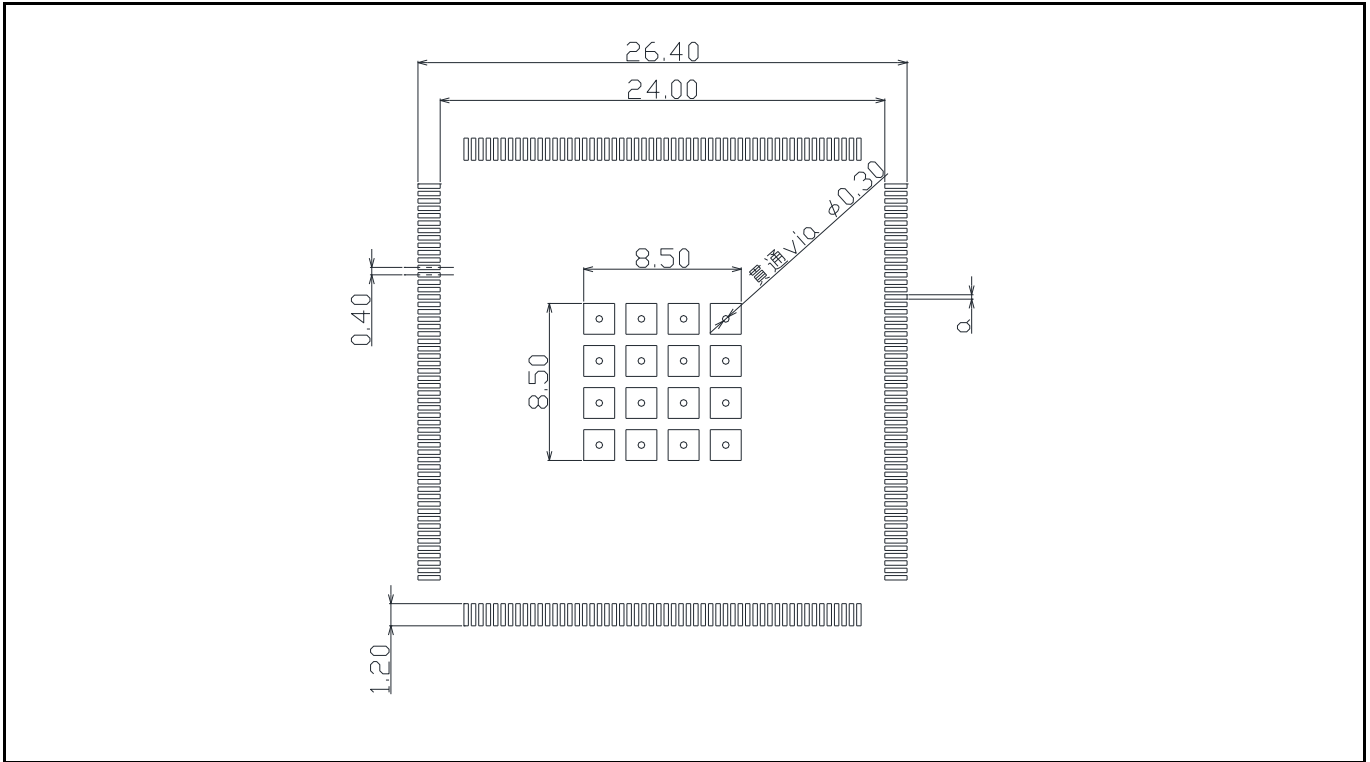
**Figure 8-1: Example Thermal Via Holes on PCB**



**Notes:**

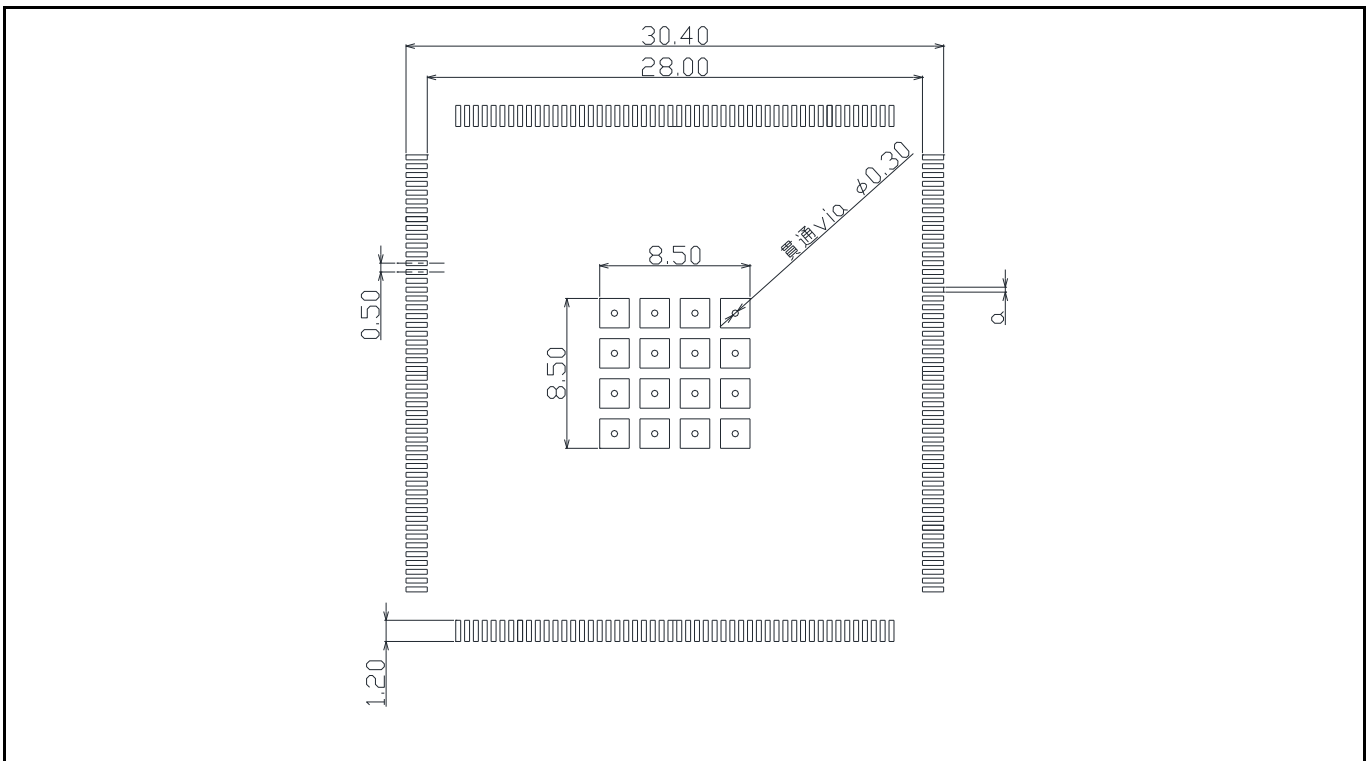
- Figure 8-1 is a schematic diagram showing PCB in section.
- Figure 8-2, Figure 8-3, and Figure 8-4 in the following pages are recommended land patterns for each package series. Thermal via holes should closely be placed and aligned with lands.
- When thermal via holes cannot be with lands, the followings are recommended as represented by Figure 8-5 which is an example for LEQ216.
  - (1). Increase pattern area size as much as possible inside the package outline.
  - (2). Place thermal via holes to be with lands as close as possible.
- $0.25\text{ mm} \leq a \leq 0.30\text{ mm}$  in Figure 8-1, Figure 8-2, Figure 8-3, and Figure 8-4
- It is recommended to connect the land pattern to the VSS-ground level (GND plan of inner layer bellow the MCU) as thermal heat sink.

**Figure 8-2: Land Pattern and Thermal Via LEQ216**



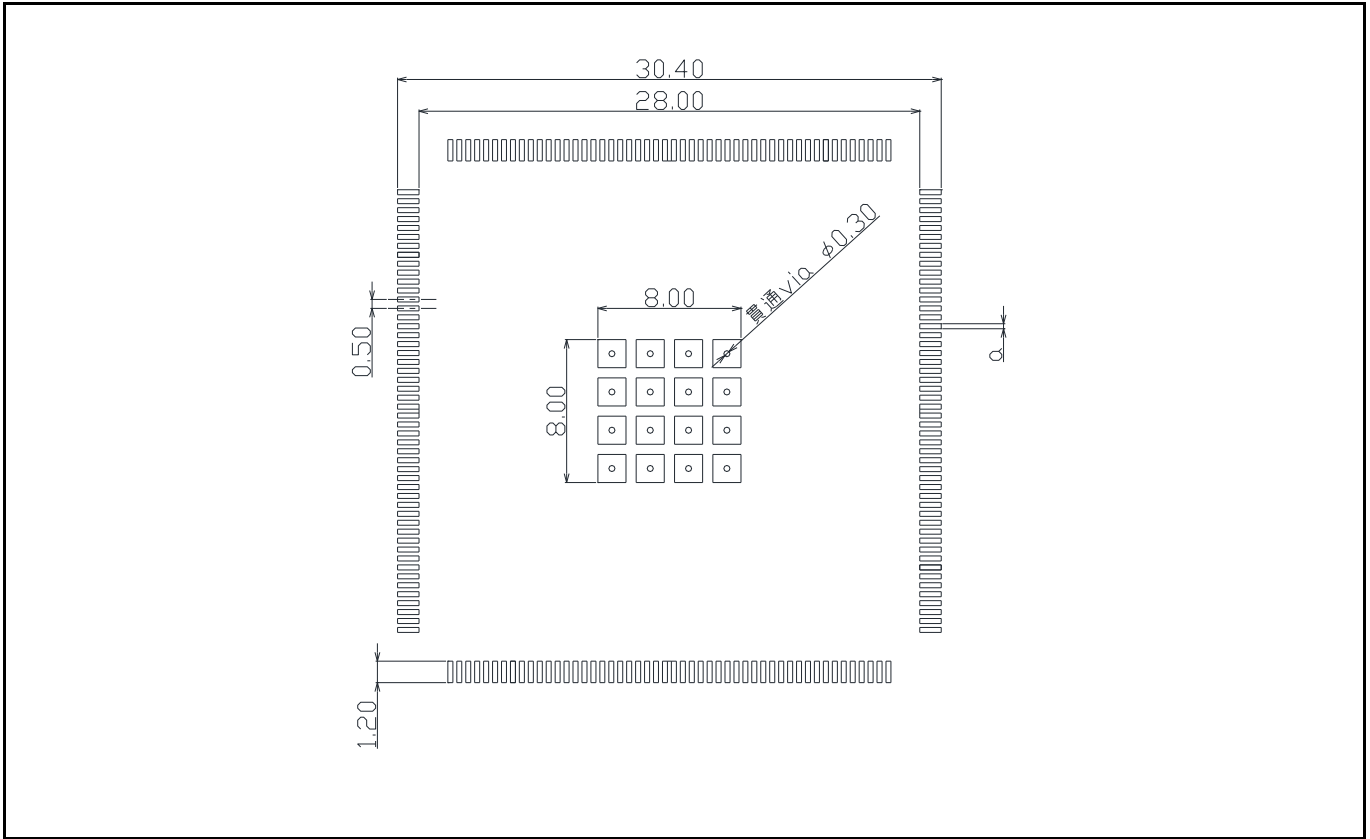
$0.25 \text{ mm} \leq a \leq 0.30 \text{ mm}$

**Figure 8-3: Land Pattern and Thermal Via LET208**



$0.25 \text{ mm} \leq a \leq 0.30 \text{ mm}$

**Figure 8-4: Land Pattern and Thermal Via LER208**



$0.25 \text{ mm} \leq a \leq 0.30 \text{ mm}$



8.3 DC Characteristics

8.3.1 Port Function Characteristics

(Condition: See 8.2.Operation Assurance Condition)

| Parameter                     | Symbol            | Pin Name   | Conditions                                 | Value                     |     |                            | Unit | Remarks |
|-------------------------------|-------------------|--|--|---------------------------|-----|----------------------------|------|---------|
|                               |                   |  |  | Min                       | Typ | Max                        |      |         |
| "H" level<br>Input<br>voltage | V <sub>IH1</sub>  | P4_25 to 31,<br>P5_00 to 20,<br>P6_20 to 26  | CMOS hysteresis<br>input level is selected | 0.7×V <sub>C</sub><br>C53 | -   | V <sub>CC53</sub> +0<br>.3 | V    |         |
|                               | V <sub>IH2</sub>  |  | Automotive input level<br>is selected      | 0.8×V <sub>C</sub><br>C53 | -   | V <sub>CC53</sub> +0<br>.3 | V    |         |
|                               | V <sub>IH3</sub>  |  | TTL<br>input level is selected             | 2.0                       | -   | V <sub>CC53</sub> +0<br>.3 | V    |         |
|                               | V <sub>IH4</sub>  | P2_16, 17, 19, 22,<br>24 to 31,<br>P3_00 to 31,<br>P4_00 to 12,<br>P6_02 to 19         | CMOS hysteresis<br>input level is selected | 0.7×V <sub>C</sub><br>C5  | -   | V <sub>CC5</sub> +0.<br>3  | V    | *1      |
|                               | V <sub>IH5</sub>  |  | Automotive input level<br>is selected      | 0.8×V <sub>C</sub><br>C5  | -   | V <sub>CC5</sub> +0.<br>3  | V    | *1      |
|                               | V <sub>IH6</sub>  | P2_25, 26,<br>P3_00, 01  | TTL input level is<br>selected             | 2.0                       | -   | V <sub>CC5</sub> +0.<br>3  | V    |         |
|                               | V <sub>IH7</sub>  | RSTX<br>NMIX   | -  | 0.7×V <sub>C</sub><br>C5  | -   | V <sub>CC5</sub> +0.<br>3  | V    |         |
|                               | V <sub>IH8</sub>  | MD   | -  | 0.7×V <sub>C</sub><br>C5  | -   | V <sub>CC5</sub> +0.<br>3  | V    |         |
|                               | V <sub>IH9</sub>  | JTAG_NTRST<br>JTAG_TCK<br>JTAG_TDI<br>JTAG_TMS   | -  | 2.3                       | -   | V <sub>CC5</sub> +0.<br>3  | V    |         |
|                               | V <sub>IH10</sub> | P0_00 to 19, 26 to<br>28, 30, 31,<br>P1_00 to 09,<br>P5_21, 22, 27 to 31,<br>P6_00, 01 | CMOS hysteresis<br>input level is selected | 0.7×V <sub>C</sub><br>C3  | -   | V <sub>CC3</sub> +0.<br>3  | V    |         |
|                               | V <sub>IH11</sub> | P0_00 to 19, 30, 31,<br>P1_00 to 09,<br>P5_21, 22, 27 to 31,<br>P6_00, 01              | TTL input level is<br>selected             | 2.0                       | -   | V <sub>CC3</sub> +0.<br>3  | V    |         |
|                               | V <sub>IH12</sub> | P0_26 to 28  | -  | 1.8                       | -   | V <sub>CC3</sub> +0.<br>3  | V    | MediaLB |

| Parameter                     | Symbol            | Pin Name   | Conditions                                 | Value                |     |                           | Unit | Remarks |
|-------------------------------|-------------------|--|--|----------------------|-----|---------------------------|------|---------|
|                               |                   |  |  | Min                  | Typ | Max                       |      |         |
| "L" level<br>Input<br>voltage | V <sub>IL1</sub>  | P4_25 to 31,<br>P5_00 to 20,<br>P6_20 to 26  | CMOS hysteresis<br>input level is selected | V <sub>SS</sub> -0.3 | -   | 0.3×<br>V <sub>CC53</sub> | V    |         |
|                               | V <sub>IL2</sub>  |  | Automotive input level<br>is selected      | V <sub>SS</sub> -0.3 | -   | 0.5×<br>V <sub>CC53</sub> | V    |         |
|                               | V <sub>IL3</sub>  |  | TTL input level is<br>selected             | V <sub>SS</sub> -0.3 | -   | 0.8                       | V    |         |
|                               | V <sub>IL4</sub>  | P2_16, 17, 19, 22,<br>24 to 31,<br>P3_00 to 31,<br>P4_00 to 12,<br>P6_02 to 19         | CMOS hysteresis<br>input level is selected | V <sub>SS</sub> -0.3 | -   | 0.3×<br>V <sub>CC5</sub>  | V    | *1      |
|                               | V <sub>IL5</sub>  |  | Automotive input level<br>is selected      | V <sub>SS</sub> -0.3 | -   | 0.5×<br>V <sub>CC5</sub>  | V    | *1      |
|                               | V <sub>IL6</sub>  | P2_25, 26,<br>P3_00, 01  | TTL input level is<br>selected             | V <sub>SS</sub> -0.3 | -   | 0.8                       | V    |         |
|                               | V <sub>IL7</sub>  | RSTX<br>NMIX   | -  | V <sub>SS</sub> -0.3 | -   | 0.3×<br>V <sub>CC5</sub>  | V    |         |
|                               | V <sub>IL8</sub>  | MD   | -  | V <sub>SS</sub> -0.3 | -   | 0.3×<br>V <sub>CC5</sub>  | V    |         |
|                               | V <sub>IL9</sub>  | JTAG_NTRST<br>JTAG_TCK<br>JTAG_TDI<br>JTAG_TMS   | -  | V <sub>SS</sub> -0.3 | -   | 0.8                       | V    |         |
|                               | V <sub>IL10</sub> | P0_00 to 19, 26 to<br>28, 30, 31,<br>P1_00 to 09,<br>P5_21, 22, 27 to 31,<br>P6_00, 01 | CMOS hysteresis<br>input level is selected | V <sub>SS</sub> -0.3 | -   | 0.3×<br>V <sub>CC3</sub>  | V    |         |
|                               | V <sub>IL11</sub> | P0_00 to 19, 30, 31,<br>P1_00 to 09,<br>P5_21, 22, 27 to 31,<br>P6_00, 01              | TTL input level is<br>selected             | V <sub>SS</sub> -0.3 | -   | 0.8                       | V    |         |
|                               | V <sub>IL12</sub> | P0_26 to 28  | -  | V <sub>SS</sub> -0.3 | -   | 0.7                       | V    | MediaLB |

| Parameter          | Symbol             | Pin Name   | Conditions                              | Value |                             |     | Unit | Remarks |
|--------------------|--------------------|--|---|-------|-----------------------------|-----|------|---------|
|                    |                    |  |   | Min   | Typ                         | Max |      |         |
| Hysteresis voltage | V <sub>HYS1</sub>  | P4_25 to 31,<br>P5_00 to 20,<br>P6_20 to 26                                    | CMOS hysteresis input level is selected | -     | 0.158×<br>V <sub>CC53</sub> | -   | V    |         |
|                    | V <sub>HYS2</sub>  |  | Automotive input level is selected      | -     | 0.104×<br>V <sub>CC53</sub> | -   | V    |         |
|                    | V <sub>HYS3</sub>  |  | TTL input level is selected             | -     | 0.032×<br>V <sub>CC53</sub> | -   | V    |         |
|                    | V <sub>HYS4</sub>  | P2_16, 17, 19, 22,<br>24 to 31,<br>P3_00 to 31,<br>P4_00 to 12,<br>P6_02 to 19 | CMOS hysteresis input level is selected | -     | 0.158×<br>V <sub>CC5</sub>  | -   | V    |         |
|                    | V <sub>HYS5</sub>  |  | Automotive input level is selected      | -     | 0.104×<br>V <sub>CC5</sub>  | -   | V    |         |
|                    | V <sub>HYS6</sub>  | P2_25, 26,<br>P3_00, 01  | TTL input level is selected             | -     | 0.032×<br>V <sub>CC5</sub>  | -   | V    |         |
|                    | V <sub>HYS7</sub>  | RSTX<br>NMIX   | -                                       | -     | 0.158×<br>V <sub>CC5</sub>  | -   | V    |         |
|                    | V <sub>HYS8</sub>  | MD   | -                                       | -     | 0.158×<br>V <sub>CC5</sub>  | -   | V    |         |
|                    | V <sub>HYS9</sub>  | JTAG_NTRST<br>JTAG_TCK<br>JTAG_TDI<br>JTAG_TMS                                 | -                                       | -     | 0.032×<br>V <sub>CC5</sub>  | -   | V    |         |
|                    | V <sub>HYS10</sub> | P0_26 to 28, 30, 31,<br>P1_00 to 09,<br>P5_21, 22<br>P6_01                     | CMOS hysteresis input level is selected | -     | 0.188×<br>V <sub>CC3</sub>  | -   | V    |         |
|                    | V <sub>HYS11</sub> | P0_30, 31,<br>P1_00 to 09,<br>P5_21, 22,<br>P6_01                              | TTL input level is selected             | -     | 0.164×<br>V <sub>CC3</sub>  | -   | V    |         |
|                    | V <sub>HYS12</sub> | P0_26 to 28  | -                                       | -     | 0.124×<br>V <sub>CC3</sub>  | -   | V    | MediaLB |

\*1: P3\_21 to P3\_31, P4\_00 to P4\_12 and P6\_9 to P6-16 are supplied with power by DVCC.

(Condition: See 8.2. Operation Assurance Condition)

| Parameter                | Symbol            | Pin Name   | Conditions   | Value                   |     |                   | Unit | Remarks                      |
|--------------------------|-------------------|--|--|-------------------------|-----|-------------------|------|------------------------------|
|                          |                   |  |  | Min                     | Typ | Max               |      |                              |
| "H" level output voltage | V <sub>OH1</sub>  | P4_25 to 31,<br>P5_00 to 20,<br>P6_20 to 26  | V <sub>CC53</sub> =3.0 V<br>I <sub>OH</sub> =-0.5 mA | V <sub>CC53</sub> - 0.5 | -   | V <sub>CC53</sub> | V    |                              |
|                          | V <sub>OH2</sub>  |  | V <sub>CC53</sub> =3.0 V<br>I <sub>OH</sub> =-1.0 mA | V <sub>CC53</sub> - 0.5 | -   | V <sub>CC53</sub> | V    |                              |
|                          | V <sub>OH3</sub>  |  | V <sub>CC53</sub> =3.0 V<br>I <sub>OH</sub> =-2.0 mA | V <sub>CC53</sub> - 0.5 | -   | V <sub>CC53</sub> | V    |                              |
|                          | V <sub>OH4</sub>  | P2_16, 17, 22, 24 to 31,<br>P3_00 to 31,<br>P4_00 to 12,<br>P6_02 to 19                | V <sub>CC5</sub> =4.5 V<br>I <sub>OH</sub> =-1.0 mA  | V <sub>CC5</sub> - 0.5  | -   | V <sub>CC5</sub>  | V    | *1                           |
|                          | V <sub>OH5</sub>  |  | V <sub>CC5</sub> =4.5 V<br>I <sub>OH</sub> =-2.0 mA  | V <sub>CC5</sub> - 0.5  | -   | V <sub>CC5</sub>  | V    | *1                           |
|                          | V <sub>OH6</sub>  |  | V <sub>CC5</sub> =4.5 V<br>I <sub>OH</sub> =-5.0 mA  | V <sub>CC5</sub> - 0.5  | -   | V <sub>CC5</sub>  | V    | *1                           |
|                          | V <sub>OH7</sub>  | PSC_1  | V <sub>CC5</sub> =4.5 V<br>I <sub>OH</sub> =-2.0 mA  | V <sub>CC5</sub> - 0.5  | -   | V <sub>CC5</sub>  | V    |                              |
|                          | V <sub>OH8</sub>  | JTAG_TDO   | V <sub>CC5</sub> =4.5 V<br>I <sub>OH</sub> =-5.0 mA  | V <sub>CC5</sub> - 0.5  | -   | V <sub>CC5</sub>  | V    |                              |
|                          | V <sub>OH10</sub> | P3_21 to 31,<br>P4_00 to 12,<br>P6_09 to 16  | DV <sub>CC</sub> =4.5 V<br>I <sub>OH</sub> =-30.0 mA | DV <sub>CC</sub> - 0.5  | -   | DV <sub>CC</sub>  | V    | SMC                          |
|                          | V <sub>OH11</sub> |  | DV <sub>CC</sub> =4.5 V<br>I <sub>OH</sub> =-40.0 mA | DV <sub>CC</sub> - 0.5  | -   | DV <sub>CC</sub>  | V    | SMC<br>T <sub>j</sub> =-40°C |
|                          | V <sub>OH12</sub> | P0_00 to 19, 26 to 28,<br>30, 31,<br>P1_00 to 09,<br>P5_21, 22, 27 to 31,<br>P6_00, 01 | V <sub>CC3</sub> =3.0 V<br>I <sub>OH</sub> =-2.0 mA  | V <sub>CC3</sub> - 0.5  | -   | V <sub>CC3</sub>  | V    |                              |
|                          | V <sub>OH13</sub> |  | V <sub>CC3</sub> =3.0 V<br>I <sub>OH</sub> =-5.0 mA  | V <sub>CC3</sub> - 0.5  | -   | V <sub>CC3</sub>  | V    |                              |
|                          | V <sub>OH14</sub> |  | V <sub>CC3</sub> =3.0 V<br>I <sub>OH</sub> =-10.0 mA | V <sub>CC3</sub> - 0.5  | -   | V <sub>CC3</sub>  | V    |                              |
|                          | V <sub>OH15</sub> | P0_00 to 19,<br>P5_21, 22, 27 to 31,<br>P6_00, 01                                      | V <sub>CC3</sub> =3.0 V<br>I <sub>OH</sub> =-20.0 mA | V <sub>CC3</sub> - 0.5  | -   | V <sub>CC3</sub>  | V    |                              |
|                          | V <sub>OH16</sub> | P0_26 to 28  | V <sub>CC3</sub> =3.0 V<br>I <sub>OH</sub> =-6.0 mA  | 2.0                     | -   | V <sub>CC3</sub>  | V    | MediaLB                      |

(Condition: See 8.2. Operation Assurance Condition)

| Parameter                | Symbol            | Pin Name   | Conditions  | Value |     |      | Unit | Remarks                       |
|--------------------------|-------------------|--|---|-------|-----|------|------|-------------------------------|
|                          |                   |  |   | Min   | Typ | Max  |      |                               |
| "L" level output voltage | V <sub>OL1</sub>  | P4_25 to 31,<br>P5_00 to 20,<br>P6_20 to 26  | V <sub>CC53</sub> =3.0 V<br>I <sub>OL</sub> =0.5 mA | 0     | -   | 0.4  | V    |                               |
|                          | V <sub>OL2</sub>  |  | V <sub>CC53</sub> =3.0 V<br>I <sub>OL</sub> =1.0 mA | 0     | -   | 0.4  | V    |                               |
|                          | V <sub>OL3</sub>  |  | V <sub>CC53</sub> =3.0 V<br>I <sub>OL</sub> =2.0 mA | 0     | -   | 0.4  | V    |                               |
|                          | V <sub>OL4</sub>  | P2_16, 17, 22, 24 to 31,<br>P3_00 to 31,<br>P4_00 to 12,<br>P6_02 to 19                | V <sub>CC5</sub> =4.5 V<br>I <sub>OL</sub> =1.0 mA  | 0     | -   | 0.4  | V    | *1                            |
|                          | V <sub>OL5</sub>  |  | V <sub>CC5</sub> =4.5 V<br>I <sub>OL</sub> =2.0 mA  | 0     | -   | 0.4  | V    | *1                            |
|                          | V <sub>OL6</sub>  |  | V <sub>CC5</sub> =4.5 V<br>I <sub>OL</sub> =5.0 mA  | 0     | -   | 0.4  | V    | *1                            |
|                          | V <sub>OL7</sub>  | PSC_1  | V <sub>CC5</sub> =4.5 V<br>I <sub>OL</sub> =2.0 mA  | 0     | -   | 0.4  | V    |                               |
|                          | V <sub>OL8</sub>  | JTAG_TDO   | V <sub>CC5</sub> =4.5 V<br>I <sub>OL</sub> =5.0 mA  | 0     | -   | 0.4  | V    |                               |
|                          | V <sub>OL9</sub>  | P2_25, 26,<br>P3_00, 01  | V <sub>CC5</sub> =4.5 V<br>I <sub>OL</sub> =3.0 mA  | 0     | -   | 0.4  | V    | I <sup>2</sup> C              |
|                          | V <sub>OL10</sub> | P3_21 to 31,<br>P4_00 to 12,<br>P6_09 to 16  | DV <sub>CC</sub> =4.5 V<br>I <sub>OL</sub> =30.0 mA | 0     | -   | 0.55 | V    | SMC                           |
|                          | V <sub>OL11</sub> |  | DV <sub>CC</sub> =4.5 V<br>I <sub>OL</sub> =40.0 mA | 0     | -   | 0.55 | V    | SMC<br>T <sub>J</sub> =-40 °C |
|                          | V <sub>OL12</sub> | P0_00 to 19, 26 to 28,<br>30, 31,<br>P1_00 to 09,<br>P5_21, 22, 27 to 31,<br>P6_00, 01 | V <sub>CC3</sub> =3.0 V<br>I <sub>OL</sub> =2.0 mA  | 0     | -   | 0.4  | V    |                               |
|                          | V <sub>OL13</sub> |  | V <sub>CC3</sub> =3.0 V<br>I <sub>OL</sub> =5.0 mA  | 0     | -   | 0.4  | V    |                               |
|                          | V <sub>OL14</sub> |  | V <sub>CC3</sub> =3.0 V<br>I <sub>OL</sub> =10.0 mA | 0     | -   | 0.4  | V    |                               |
|                          | V <sub>OL15</sub> | P0_00 to 19,<br>P5_21, 22, 27 to 31,<br>P6_00, 01                                      | V <sub>CC3</sub> =3.0 V<br>I <sub>OL</sub> =20.0 mA | 0     | -   | 0.4  | V    |                               |
|                          | V <sub>OL16</sub> | P0_26 to 28  | V <sub>CC3</sub> =3.0 V<br>I <sub>OL</sub> =6.0 mA  | 0     | -   | 0.4  | V    | MediaLB                       |

\*1: P3\_21 to P3\_31, P4\_00 to P4\_12 and P6\_9 to P6-16 are supplied with power by DVCC.

(Condition: See 8.2. Operation Assurance Condition)

| Parameter             | Symbol             | Pin Name   | Conditions   | Value |     |     | Unit | Remarks                  |
|-----------------------|--------------------|--|--|-------|-----|-----|------|--------------------------|
|                       |                    |  |  | Min   | Typ | Max |      |                          |
| Input leakage current | I <sub>IL</sub>    | P2_16, 17, 19, 22, 24 to 31,<br>P3_00 to 31,<br>P4_00 to 12, P4_25 to 31,<br>P5_00 to 20,<br>P6_02 to 31   | V <sub>CC5</sub> =V <sub>CC53</sub> =DV <sub>CC</sub> =<br>AV <sub>CC</sub> =5.5 V<br>V <sub>SS</sub> < V <sub>I</sub> < V <sub>CC</sub> | -5    | -   | +5  | μA   | 5-V pins<br>5-V/3-V pins |
|                       |                    | P0_00 to 31,<br>P1_00 to 09,<br>P5_21, 22, 27 to 31,<br>P6_00, 01  | V <sub>CC3</sub> =3.6 V<br>V <sub>SS</sub> < V <sub>I</sub> < V <sub>CC3</sub>   | -10   | -   | +10 | μA   | 3-V pins                 |
| Pull-up resistor      | R <sub>UP1</sub>   | RSTX, NMIX   | -  | 25    | 50  | 100 | kΩ   |                          |
|                       | R <sub>UP2</sub>   | P2_16, 17, 19, 22, 24 to 31,<br>P3_00 to 31,<br>P4_00 to 12, P4_25 to 31,<br>P5_00 to 20,<br>P6_02 to 31   | Pull-up resistor Selected<br>V <sub>CC53</sub> = 4.5 V to 5.5 V  | 25    | 50  | 100 | kΩ   | 5-V pins<br>5-V/3-V pins |
|                       |                    | P4_25 to 31, P5_00 to 20   | Pull-up resistor Selected<br>V <sub>CC53</sub> = 3.0 V to 3.6 V  | 40    | 100 | 200 | kΩ   | 5-V/3-V pins             |
|                       | R <sub>UP3</sub>   | P0_00 to 31,<br>P1_00 to 09,<br>P5_21, 22, 27 to 31,<br>P6_00, 01  | Pull-up resistor selected  | 17    | 33  | 66  | kΩ   | 3-V pins                 |
|                       | R <sub>UP4</sub>   | JTAG_TDI, JTAG_TMS,<br>JTAG_TCK  | -  | 25    | 50  | 100 | kΩ   |                          |
| Pull-down resistor    | R <sub>down1</sub> | P2_16, 17, 19, 22, 24 to 31,<br>P3_00 to 31,<br>P4_00 to 12, P4_25 to 31,<br>P5_00 to 20,<br>P6_02 to 31   | Pull-down resistor Selected<br>V <sub>CC53</sub> = 4.5 V to 5.5 V  | 25    | 50  | 100 | kΩ   | 5-V pins<br>5-V/3-V pins |
|                       |                    | P4_25 to 31, P5_00 to 20   | Pull-down resistor Selected<br>V <sub>CC53</sub> = 3.0 V to 3.6 V  | 40    | 100 | 200 | kΩ   | 5-V/3-V pins             |
|                       | R <sub>down2</sub> | P0_00 to 31,<br>P1_00 to 09,<br>P5_21, 22, 27 to 31,<br>P6_00, 01  | Pull-down resistor selected  | 17    | 33  | 66  | kΩ   | 3-V pins                 |
|                       | R <sub>down3</sub> | JTAG_NTRST   | -  | 25    | 50  | 100 | kΩ   |                          |
| Input capacitance     | C <sub>IN1</sub>   | P0_00 to 31,<br>P1_00 to 09,<br>P2_16, 17, 19, 22, 24 to 31,<br>P3_00 to 20, P4_25 to 31,<br>P5_00 to 20,<br>P5_21, 22, 27 to 31,<br>P6_00 to 08, 17 to 26 | -  | -     | 5   | 15  | pF   |                          |
|                       | C <sub>IN2</sub>   | P3_21 to 31,<br>P4_00 to 12,<br>P6_09 to 16  | -  | -     | 15  | 45  | pF   | When using SMC           |

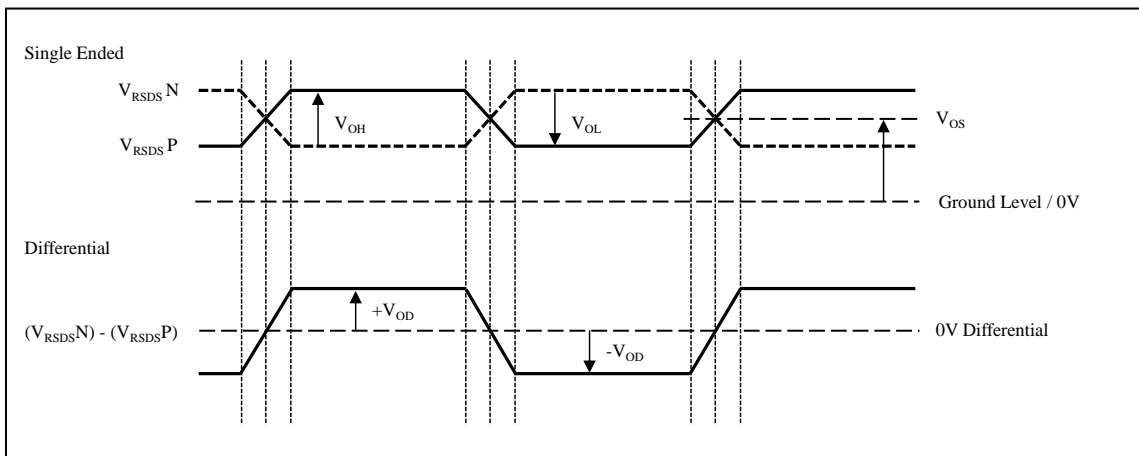
(Condition: See 8.2. Operation Assurance Condition)

| Parameter  | Symbol           | Pin Name   | Conditions   | Value |      |      | Unit          | Remarks |
|--|------------------|--|--|-------|------|------|---------------|---------|
|  |                  |  |  | Min   | Typ  | Max  |               |         |
| High current output drive capacity Phase-to-phase deviation1 | Delta- $V_{OH8}$ | P3_21 to 31,<br>P4_00 to 12,                             | $DV_{CC}=4.5\text{ V}$<br>$I_{OH}=-30.0\text{ mA}$<br>Maximum deviation of $V_{OH8}$ | -     | -    | 90   | mV            | *       |
| High current output drive capacity Phase-to-phase deviation2 | Delta- $V_{OL8}$ | P6_09 to 16  | $DV_{CC}=4.5\text{ V}$<br>$I_{OL}=30.0\text{ mA}$<br>Maximum deviation of $V_{OL8}$  | -     | -    | 90   | mV            | *       |
| LCD divider resistor   | $R_{LCD}$        | V0 to V1,<br>V1 to V2,<br>V2 to V3                       | -  | 6.25  | 12.5 | 25   | k $\Omega$    |         |
| COM0 to COM3 output impedance                                | $R_{VCOM}$       | COMm<br>(m=0 to 3)                                       | -  | -     | -    | 4.5  | k $\Omega$    |         |
| COM0 to COM3 output impedance                                | $R_{VSEG}$       | SEGn<br>(n=00 to 31)                                     | -  | -     | -    | 17   | k $\Omega$    |         |
| LCDC leak current  | $I_{LCDC}$       | V0 to V3,<br>COMm<br>(m=0 to 3),<br>SEGn<br>(n=00 to 31) | $T_A = +25\text{ }^\circ\text{C}$  | -0.5  | -    | +0.5 | $\mu\text{A}$ |         |

\*: If PWM1P0/PWM1M0/PWM2P0/PWM2M0 of ch.0 is turned on simultaneously, the maximum deviation of  $V_{OH4}$  /  $V_{OL4}$  for each pin is defined. Same for other channels.

(Condition: See 8.2. Operation Assurance Condition)

| Parameter                   | Symbol          | Pin Name  | Conditions  | Value |     |     | Unit | Remarks |
|-----------------------------|-----------------|---|---|-------|-----|-----|------|---------|
|                             |                 |   |   | Min   | Typ | Max |      |         |
| Output Differential Voltage | V <sub>OD</sub> | DSP0_DATA <sub>n+</sub> ,<br>DSP0_DATA <sub>n-</sub><br>n=0 to 11 | BOOST=0 (Drivability 2mA)<br>R <sub>L</sub> = 100 Ω | 100   | 200 | 600 | mV   |         |
|                             |                 |   | BOOST=1 (Drivability 4mA)<br>R <sub>L</sub> = 50 Ω  |       |     |     |      |         |
| Output Offset Voltage       | V <sub>OS</sub> | DSP0_DATA <sub>n+</sub> ,<br>DSP0_DATA <sub>n-</sub><br>n=0 to 11 | BOOST=0 (Drivability 2mA)<br>R <sub>L</sub> = 100 Ω | 0.5   | 1.2 | 1.5 | V    |         |
|                             |                 |   | BOOST=1 (Drivability 4mA)<br>R <sub>L</sub> = 50 Ω  |       |     |     |      |         |



**8.3.2 Power Supply Current**
**8.3.2.1 Run Mode**

■ This characteristic is specified for the series with the function digit 3, 4, 5, 6, 7, 8 and 9.

(Condition: See 8.2. Operation Assurance Condition)

| Symbol                                       | Pin Name                      | Conditions  | Value  |      | Unit | T <sub>A</sub><br>(°C) | Remark               |
|--|-------------------------------|---|--|------|------|------------------------|----------------------|
|  |                               |   | Typ  | Max  |      |                        |                      |
| I <sub>cc5</sub>                             | V <sub>cc5</sub>              | Normal Operation  | 45   | -    | mA   | 25                     | -                    |
|  |                               |   | -  | 70   | mA   | 105                    |                      |
|  |                               | Adder for Work Flash Programming or Erasing.                                  | -  | 20   | mA   | 105                    | -                    |
| I <sub>cc12</sub>                            | V <sub>cc12</sub>             | CPU:240 MHz, HPM:120 MHz,<br>GDC 2D and 3D engine:200 MHz                     | 820  | -    | mA   | 25                     | -                    |
|  |                               |   | -  | 1600 | mA   | 105                    |                      |
|  |                               | CPU:240 MHz, HPM:120 MHz,<br>GDC 2D engine only:200 MHz                       | 700  | -    | mA   | 25                     | -                    |
|  |                               |   | -  | 1480 | mA   | 105                    |                      |
|  |                               | CPU:120 MHz, HPM:60 MHz,<br>GDC: 0 MHz<br>For TC FLASH Programming or Erasing | -  | 1120 | mA   | 105                    | -                    |
|  |                               |   | CPU:80 MHz, HPM:40 MHz,<br>GDC: 0 MHz<br>For TC FLASH Programming or Erasing | -    | 1040 | mA                     | 105                  |
| Adder for Work Flash Programming or Erasing. | -                             | 20  | mA   | 105  | -    |                        |                      |
| ILVDS  | V <sub>cc3</sub><br>LVDS_Tx   | 50 MHz  | -  | 56   | mA   | 105                    | *1                   |
|  | AV <sub>cc3</sub><br>LVDS_PLL | 50 MHz  | -  | 7    | mA   | 105                    | For revision F,<br>J |
|  |                               |   | -  | 9    | mA   | 105                    | For revision M,<br>P |

**Notes:**

- The output port current is not included in the specified value \*1.  
A few mA which depends on usage for FPD-Link data transfer should be estimated for each port in an actual application, and then it should be added to the current consumption at V<sub>cc3</sub>\_LVDS\_Tx.
- The current consumption at V<sub>cc3</sub>\_LVDS\_Tx is specified under R<sub>L</sub>=100 Ω, C<sub>L</sub>=5 pF, f=50 MHz, and 0/1 alternation pattern output.

■ This characteristic is specified for the series with the function digit B.

(Condition: See 8.2. Operation Assurance Condition)

| Symbol            | Pin Name          | Conditions  | Value |      | Unit | T <sub>A</sub> (°C) | Remark |
|-------------------|-------------------|---|-------|------|------|---------------------|--------|
|                   |                   |   | Typ   | Max  |      |                     |        |
| I <sub>cc5</sub>  | V <sub>cc5</sub>  | Normal Operation  | 45    | -    | mA   | 25                  | -      |
|                   |                   |   | -     | 70   | mA   | 105                 |        |
|                   |                   | Adder for Work Flash Programming or Erasing.                                  | -     | 20   | mA   | 105                 | -      |
| I <sub>cc12</sub> | V <sub>cc12</sub> | CPU:160 MHz, HPM:160 MHz,<br>GDC 2D and 3D engine:160 MHz                     | 880   | -    | mA   | 25                  | -      |
|                   |                   |   | -     | 1410 | mA   | 105                 |        |
|                   |                   | CPU:120 MHz, HPM:60 MHz,<br>GDC: 0 MHz<br>For TC FLASH Programming or Erasing | -     | 1120 | mA   | 105                 | -      |
|                   |                   | CPU:80 MHz, HPM:40 MHz,<br>GDC: 0 MHz<br>For TC FLASH Programming or Erasing  | -     | 1040 | mA   | 105                 | -      |
|                   |                   | Adder for Work Flash Programming or Erasing.                                  | -     | 20   | mA   | 105                 | -      |

■ This characteristic is specified for the series with the function digit K, L, M, and N.

(Condition: See 8.2. Operation Assurance Condition)

| Symbol                                       | Pin Name                      | Conditions   | Value |      | Unit | T <sub>A</sub> (°C) | Remark |
|--|-------------------------------|--|-------|------|------|---------------------|--------|
|  |                               |  | Typ   | Max  |      |                     |        |
| I <sub>cc5</sub>                             | V <sub>cc5</sub>              | Normal Operation   | 45    | -    | mA   | 25                  | -      |
|  |                               |  | -     | 70   | mA   | 105                 |        |
|  |                               | Adder for Work Flash Programming or Erasing.                                 | -     | 20   | mA   | 105                 | -      |
| I <sub>cc12</sub>                            | V <sub>cc12</sub>             | CPU:240 MHz, HPM:120 MHz,<br>GDC 2D and 3D engine:200 MHz                    | 822   | -    | mA   | 25                  | -      |
|  |                               |  | -     | 1635 | mA   | 105                 |        |
|  |                               | CPU:240 MHz, HPM:120 MHz,<br>GDC 2D engine only:200 MHz                      | 702   | -    | mA   | 25                  | -      |
|  |                               |  | -     | 1515 | mA   | 105                 |        |
|  |                               | CPU:120 MHz, HPM:60 MHz,<br>GDC:0 MHz<br>For TC FLASH Programming or Erasing | -     | 1155 | mA   | 105                 | -      |
|  |                               | CPU:80 MHz, HPM:40 MHz,<br>GDC:0 MHz<br>For TC FLASH Programming or Erasing  | -     | 1075 | mA   | 105                 | -      |
| Adder for Work Flash Programming or Erasing. | -                             | 20   | mA    | 105  | -    |                     |        |
| ILVDS  | V <sub>cc3</sub><br>LVDS_Tx   | 50 MHz   | -     | 56   | mA   | 105                 | *1     |
|  | AV <sub>cc3</sub><br>LVDS_PLL | 50 MHz   | -     | 9    | mA   | 105                 |        |

**Notes:**

- The output port current is not included in the specified value \*1.  
A few mA which depends on usage for FPD-Link data transfer should be estimated for each port in an actual application, and then it should be added to the current consumption at V<sub>cc3</sub>\_LVDS\_Tx.
- The current consumption at V<sub>cc3</sub>\_LVDS\_Tx is specified under R<sub>L</sub>=100 Ω, C<sub>L</sub>=5 pF, f=50 MHz, and 0/1 alternation pattern output.

**8.3.2.2 PSS Timer Mode Shutdown (PD6=OFF)**

■ This characteristic is specified for the series with the function digit 3, 4, 5, 6, 7, 8, 9, K, L, M, and N.

(Condition: See 8.2. Operation Assurance Condition)

| Symbol           | Pin Name         | Conditions  | Value |     | Unit | T <sub>A</sub> (°C) | Remark                                      |
|------------------|------------------|---|-------|-----|------|---------------------|---|
|                  |                  |   | Typ   | Max |      |                     |   |
| I <sub>CC5</sub> | V <sub>CC5</sub> | 4 MHz Crystal for Main Oscillator<br>PD1=ON, PD4_0=ON, PD4_1=ON | 350   | 600 | μA   | 25                  | C <sub>L</sub> =10 pF<br>MCGAIN=0b00(4 MHz) |
|                  |                  | 4 MHz Crystal for Main Oscillator<br>PD1=ON, PD4_0 or PD4_1=ON  | 345   | 575 | μA   | 25                  | C <sub>L</sub> =10 pF<br>MCGAIN=0b00(4 MHz) |
|                  |                  | 4 MHz Crystal for Main Oscillator<br>PD1=ON                     | 340   | 550 | μA   | 25                  | C <sub>L</sub> =10 pF<br>MCGAIN=0b00(4 MHz) |
|                  |                  | 8 MHz Crystal for Main Oscillator<br>PD1=ON, PD4_0=ON, PD4_1=ON | 450   | 730 | μA   | 25                  | C <sub>L</sub> =10 pF<br>MCGAIN=0b01(8 MHz) |
|                  |                  | 8 MHz Crystal for Main Oscillator<br>PD1=ON, PD4_0 or PD4_1=ON  | 445   | 705 | μA   | 25                  | C <sub>L</sub> =10 pF<br>MCGAIN=0b01(8 MHz) |
|                  |                  | 8 MHz Crystal for Main Oscillator<br>PD1=ON                     | 440   | 680 | μA   | 25                  | C <sub>L</sub> =10 pF<br>MCGAIN=0b01(8 MHz) |
|                  |                  | 4 MHz External clock<br>PD1=ON, PD4_0=ON, PD4_1=ON              | 180   | 400 | μA   | 25                  | -   |
|                  |                  | 4 MHz External Clock<br>PD1=ON, PD4_0 or PD4_1=ON               | 175   | 375 | μA   | 25                  | -   |
|                  |                  | 4 MHz External Clock<br>PD1=ON                                  | 170   | 350 | μA   | 25                  | -   |
|                  |                  | 8 MHz External clock<br>PD1=ON, PD4_0=ON, PD4_1=ON              | 190   | 420 | μA   | 25                  | -   |
|                  |                  | 8 MHz External Clock<br>PD1=ON, PD4_0 or PD4_1=ON               | 185   | 395 | μA   | 25                  | -   |
|                  |                  | 8 MHz External Clock<br>PD1=ON                                  | 180   | 370 | μA   | 25                  | -   |
|                  |                  | 32 kHz Crystal for Sub Oscillator<br>PD1=ON, PD4_0=ON, PD4_1=ON | 85    | 300 | μA   | 25                  | -   |
|                  |                  | 32 kHz Crystal for Sub Oscillator<br>PD1=ON, PD4_0 or PD4_1=ON  | 80    | 275 | μA   | 25                  | -   |
|                  |                  | 32 kHz Crystal for Sub Oscillator<br>PD1=ON                     | 75    | 250 | μA   | 25                  | -   |

**Notes:**

- The values will be evaluated after engineering samples release.
- The values have been standardized with regulator standby mode (RMSEL=1).

■ This characteristic is specified for the series with the function digit B.

(Condition: See 8.2.Operation Assurance Condition)

| Symbol           | Pin Name         | Conditions  | Value |     | Unit | T <sub>A</sub> (°C) | Remark                                       |
|------------------|------------------|---|-------|-----|------|---------------------|--|
|                  |                  |   | Typ   | Max |      |                     |  |
| I <sub>CC5</sub> | V <sub>CC5</sub> | 4 MHz Crystal for Main Oscillator<br>PD1=ON, PD4_0=ON, PD4_1=ON | 350   | 650 | μA   | 25                  | C <sub>L</sub> =10 pF<br>MCGAIN=0b00(4 MHz)  |
|                  |                  | 4 MHz Crystal for Main Oscillator<br>PD1=ON, PD4_0 or PD4_1=ON  | 345   | 615 | μA   | 25                  | C <sub>L</sub> =10 pF<br>MCGAIN=0b00(4 MHz)  |
|                  |                  | 4 MHz Crystal for Main Oscillator<br>PD1=ON                     | 340   | 590 | μA   | 25                  | C <sub>L</sub> =10 pF<br>MCGAIN=0b00(4 MHz)- |
|                  |                  | 8 MHz Crystal for Main Oscillator<br>PD1=ON, PD4_0=ON, PD4_1=ON | 450   | 775 | μA   | 25                  | C <sub>L</sub> =10 pF<br>MCGAIN=0b01(8 MHz)  |
|                  |                  | 8 MHz Crystal for Main Oscillator<br>PD1=ON, PD4_0 or PD4_1=ON  | 445   | 750 | μA   | 25                  | C <sub>L</sub> =10 pF<br>MCGAIN=0b01(8 MHz)- |
|                  |                  | 8 MHz Crystal for Main Oscillator<br>PD1=ON                     | 440   | 725 | μA   | 25                  | C <sub>L</sub> =10 pF<br>MCGAIN=0b01(8 MHz)- |
|                  |                  | 32 kHz Crystal for Sub Oscillator<br>PD1=ON, PD4_0=ON, PD4_1=ON | 85    | 345 | μA   | 25                  | -  |
|                  |                  | 32 kHz Crystal for Sub Oscillator<br>PD1=ON, PD4_0 or PD4_1=ON  | 80    | 320 | μA   | 25                  | -  |
|                  |                  | 32 kHz Crystal for Sub Oscillator<br>PD1=ON                     | 75    | 295 | μA   | 25                  | -  |

**Notes:**

- The values will be evaluated after engineering samples release.
- The values have been standardized with regulator standby mode (RMSEL=1).

### 8.3.2.3 PSS Stop Mode Shutdown

■ This characteristic is specified for the series with the function digits 3, 4, 5, 6, 7, 8, 9, K, L, M, and N.

(Condition: See 8.2.Operation Assurance Condition)

| Symbol           | Pin Name         | Conditions                 | Value |     | Unit | T <sub>A</sub> (°C) | Remark |
|------------------|------------------|----------------------------|-------|-----|------|---------------------|--------|
|                  |                  |                            | Typ   | Max |      |                     |        |
| I <sub>CC5</sub> | V <sub>CC5</sub> | PD1=ON, PD4_0=ON, PD4_1=ON | 65    | 270 | μA   | 25                  | -      |
|                  |                  | PD1=ON, PD4_0 or PD4_1=ON  | 60    | 245 | μA   | 25                  | -      |
|                  |                  | PD1=ON                     | 55    | 220 | μA   | 25                  | -      |

■ This characteristic is specified for the series with the function digits B.

(Condition: See 8.2.Operation Assurance Condition)

| Symbol           | Pin Name         | Conditions                 | Value |     | Unit | T <sub>A</sub> (°C) | Remark |
|------------------|------------------|----------------------------|-------|-----|------|---------------------|--------|
|                  |                  |                            | Typ   | Max |      |                     |        |
| I <sub>CC5</sub> | V <sub>CC5</sub> | PD1=ON, PD4_0=ON, PD4_1=ON | 65    | 315 | μA   | 25                  | -      |
|                  |                  | PD1=ON, PD4_0 or PD4_1=ON  | 60    | 290 | μA   | 25                  | -      |
|                  |                  | PD1=ON                     | 55    | 265 | μA   | 25                  | -      |

**Notes:**

- The values will be evaluated after engineering samples release.
- The values have been standardized with regulator standby mode (RMSEL=1).

8.4 AC Characteristics

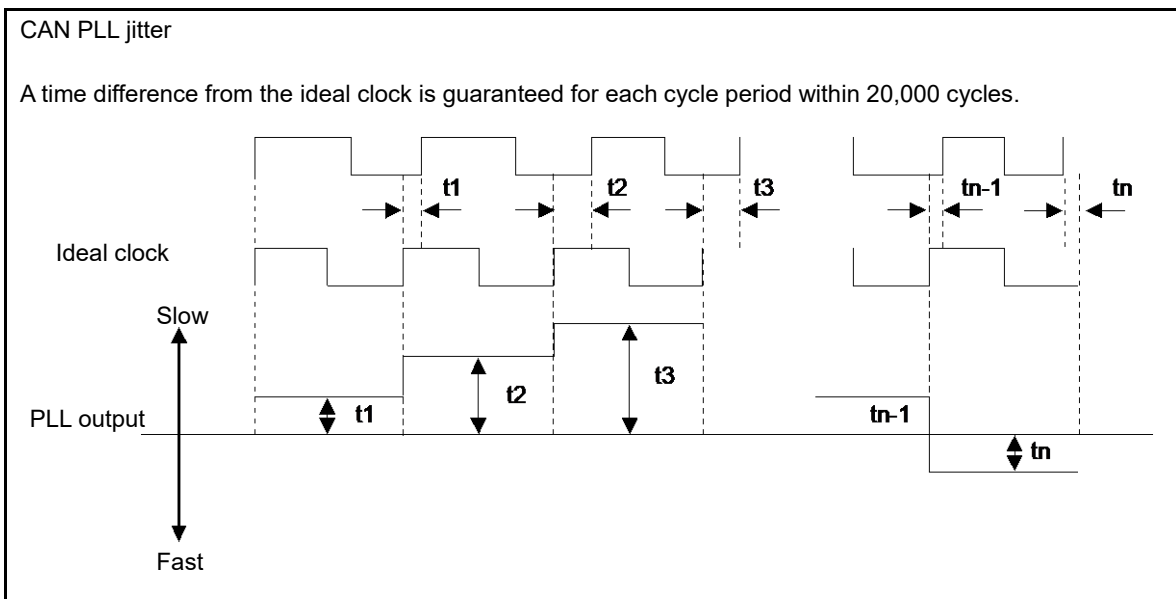
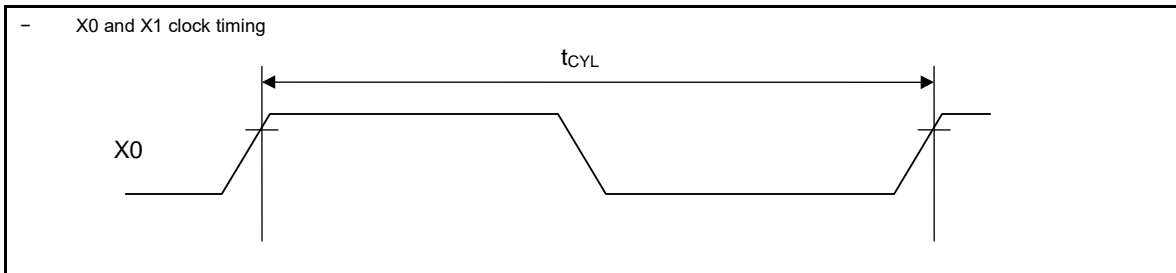
8.4.1 Source Clock Timing

(Condition: See 8.2.Operation Assurance Condition)

| Parameter                              | Symbol    | Pin Name | Conditions | Value |      |       | Unit | Remarks     |
|--|-----------|----------|------------|-------|------|-------|------|-------------|
|  |           |          |            | Min   | Typ  | Max   |      |             |
| Source oscillation clock frequency     | $F_C$     | X0, X1   | -          | 3.6   | -    | 16    | MHz  |             |
| Source oscillation clock cycle time    | $t_{CYL}$ | X0, X1   | -          | 62.5  | -    | 277.8 | ns   |             |
| CAN PLL jitter (when locked)           | $t_{PJ}$  | -        | -          | -1.5  | -    | 1.5   | ns   |             |
| Internal Slow CR oscillation frequency | $F_{CRS}$ | -        | -          | 50    | 100  | 150   | kHz  |             |
| Internal Fast CR oscillation frequency | $F_{CRF}$ | -        | -          | 2.40  | 4.00 | 5.61  | MHz  | Before trim |
|  |           |          |            | 3.20  | 4.00 | 4.81  | MHz  | After trim  |

Notes:

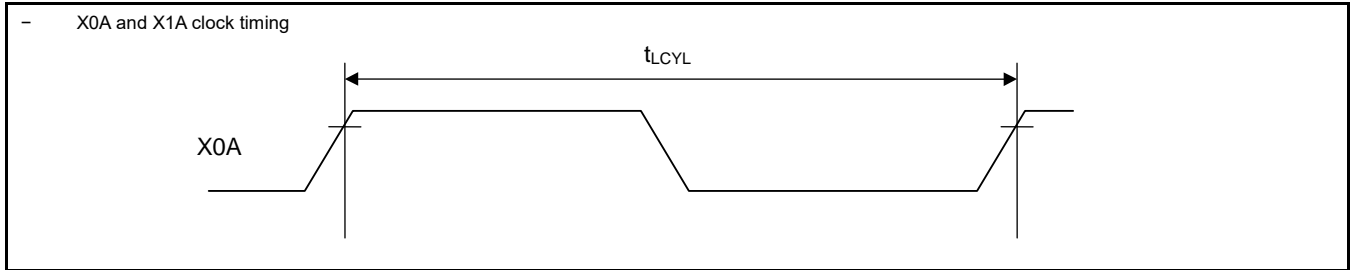
- The maximum/minimum values have been standardized with the main clock and PLL clock in use.
- The error of source oscillator frequency must be smaller than 3000 ppm.
- Enough evaluation and adjustment are recommended using oscillator on your system board.



**8.4.2 Sub Clock Timing**

 (Condition: See [8.2.Operation Assurance Condition](#))

| Parameter                           | Symbol     | Pin Name | Conditions | Value |        |     | Unit    | Remarks |
|-------------------------------------|------------|----------|------------|-------|--------|-----|---------|---------|
|                                     |            |          |            | Min   | Typ    | Max |         |         |
| Source oscillation clock frequency  | $F_{CL}$   | X0A, X1A | -          | -     | 32.768 | -   | kHz     |         |
| Source oscillation clock cycle time | $t_{LCYL}$ | X0A, X1A | -          | -     | 30.52  | -   | $\mu s$ |         |



**8.4.3 Internal Clock Timing**

- This chapter shows the characteristics for internal clock timing at the current stage.
- In the column symbol, same clock names as described in CHAPTER 5: CLOCK SYSTEM of Platform hardware manual are used.
- Corresponding functions for these clocks are described in CHAPTER 5: CLOCK CONFIGURATION of S6J3200 series hardware manual.

(Condition: See 8.2.Operation Assurance Condition)

**Table 8-1: Assured Combination of Clock Frequency**

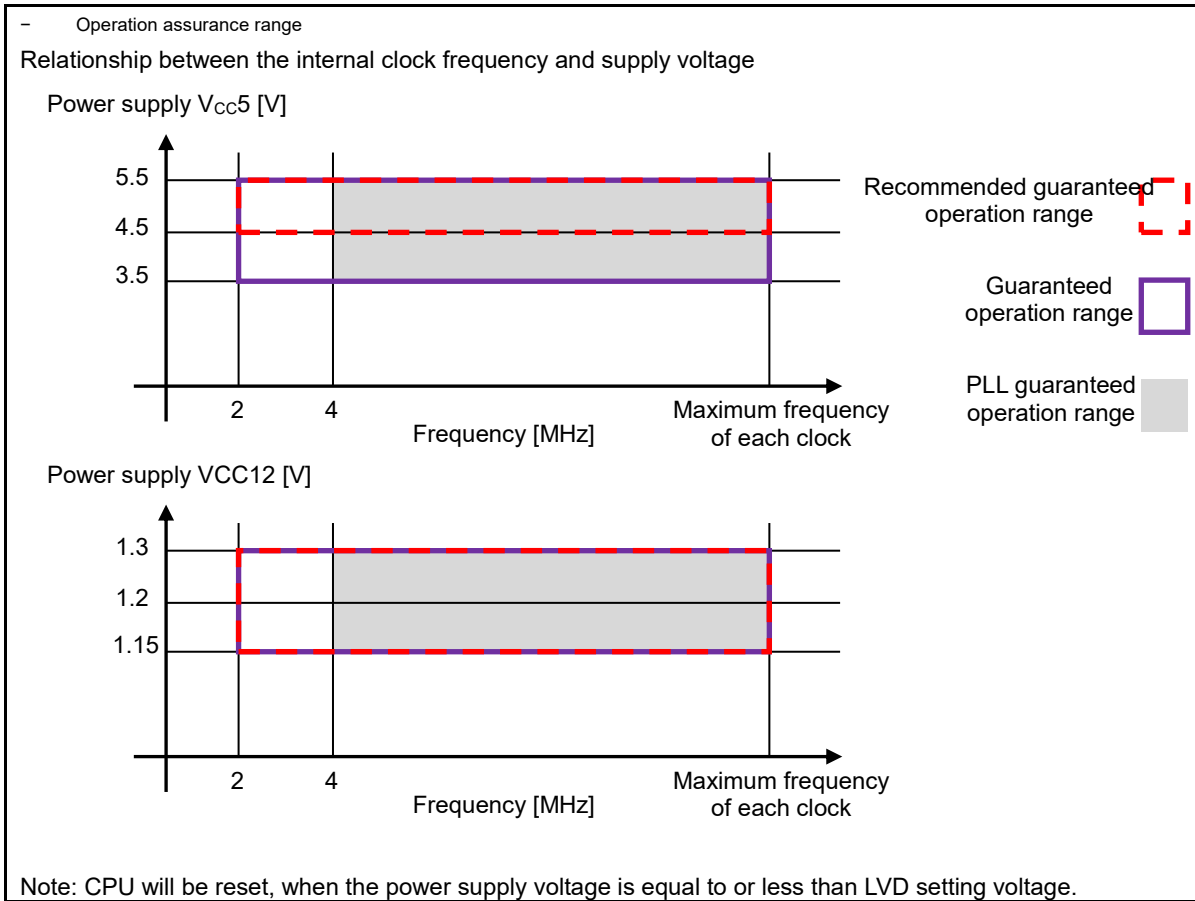
| Symbol                   | Max Value Combination                             |              |              |                  | Unit | Remarks            |
|--------------------------|---|--------------|--------------|------------------|------|--------------------|
|                          | Function digit<br>3, 4, 5, 6, 7, 8, 9, K, L, M, N |              |              | Function digit B |      |                    |
|                          | Max *1  | Max *2       | Max *3       | Max *4           |      |                    |
| F <sub>SSCG0</sub>       | 232<br>(464)                                      | 200<br>(800) | 160<br>(640) | 160<br>(640)     | MHz  | SSCG0 output clock |
| F <sub>SSCG1</sub>       | 200<br>(800)                                      | 200<br>(800) | 200<br>(800) | 200<br>(800)     | MHz  | SSCG1 output clock |
| F <sub>SSCG2</sub>       | 200<br>(800)                                      | 200<br>(800) | 200<br>(800) | 160<br>(640)     | MHz  | SSCG2 output clock |
| F <sub>SSCG3</sub>       | 400<br>(800)                                      | 400<br>(800) | 400<br>(800) | 400<br>(800)     | MHz  | SSCG3 output clock |
| F <sub>PLL0</sub>        | 240<br>(480)                                      | 200<br>(800) | 200<br>(800) | 160<br>(640)     | MHz  | PLL0 output clock  |
| F <sub>PLL1</sub>        | 400<br>(800)                                      | 400<br>(800) | 400<br>(800) | 320<br>(640)     | MHz  | PLL1 output clock  |
| F <sub>PLL2</sub>        | 200<br>(800)                                      | 200<br>(800) | 200<br>(800) | 200<br>(800)     | MHz  | PLL2 output clock  |
| F <sub>PLL3</sub>        | 240<br>(480)                                      | 240<br>(480) | 240<br>(480) | 240<br>(480)     | MHz  | PLL3 output clock  |
| F <sub>CLK_CPU0</sub>    | 240   | 200          | 160          | 160              | MHz  |                    |
| F <sub>CLK_SHE</sub>     | 240   | 200          | 160          | 160              | MHz  |                    |
| F <sub>CLK_FCLK</sub>    | 80  | 66.7         | 80           | 80               | MHz  |                    |
| F <sub>CLK_ATB</sub>     | 120   | 100          | 80           | 80               | MHz  |                    |
| F <sub>CLK_DBG</sub>     | 120   | 100          | 80           | 80               | MHz  |                    |
| F <sub>CLK_HPM</sub>     | 120   | 200          | 160          | 160              | MHz  |                    |
| F <sub>CLK_HPM2</sub>    | 60  | 100          | 80           | 80               | MHz  |                    |
| F <sub>CLK_DMA</sub>     | 120   | 200          | 160          | 160              | MHz  |                    |
| F <sub>CLK_MEMC</sub>    | 120   | 200          | 160          | 160              | MHz  |                    |
| F <sub>CLK_EXTBUS</sub>  | 40  | 40           | 40           | 40               | MHz  | Unused             |
| F <sub>CLK_SYSC1</sub>   | 40  | 40           | 40           | 40               | MHz  |                    |
| F <sub>CLK_HAPP0A0</sub> | 40  | 40           | 40           | 40               | MHz  | Unused             |
| F <sub>CLK_HAPP0A1</sub> | 40  | 40           | 40           | 40               | MHz  | Unused             |
| F <sub>CLK_HAPP1B0</sub> | 60  | 50           | 80           | 80               | MHz  |                    |
| F <sub>CLK_HAPP1B1</sub> | 40  | 40           | 40           | 40               | MHz  | Unused             |
| F <sub>CLK_LLPBM</sub>   | 240   | 200          | 160          | 160              | MHz  |                    |
| F <sub>CLK_LLPBM2</sub>  | 120   | 100          | 80           | 80               | MHz  |                    |
| F <sub>CLK_LCP</sub>     | 60  | 50           | 80           | 80               | MHz  |                    |
| F <sub>CLK_LCP0</sub>    | 40  | 40           | 40           | 40               | MHz  |                    |
| F <sub>CLK_LCP0A</sub>   | 60  | 66.7         | 80           | 80               | MHz  |                    |
| F <sub>CLK_LCP1</sub>    | 40  | 40           | 40           | 40               | MHz  | Unused             |
| F <sub>CLK_LCP1A</sub>   | 60  | 66.7         | 80           | 80               | MHz  |                    |
| F <sub>CLK_LAPP0</sub>   | 40  | 40           | 40           | 40               | MHz  | Unused             |
| F <sub>CLK_LAPP0A</sub>  | 40  | 40           | 40           | 40               | MHz  | Unused             |
| F <sub>CLK_LAPP1</sub>   | 40  | 40           | 40           | 40               | MHz  | Unused             |
| F <sub>CLK_LAPP1A</sub>  | 40  | 40           | 40           | 40               | MHz  | Unused             |
| F <sub>CLK_TRC</sub>     | 100   | 100          | 100          | 100              | MHz  |                    |
| F <sub>CLK_CD1</sub>     | 400   | 400          | 400          | 400              | MHz  |                    |
| F <sub>CLK_CD1A0</sub>   | 100   | 100          | 100          | 100              | MHz  | Unused             |
| F <sub>CLK_CD1A1</sub>   | 100   | 100          | 100          | 100              | MHz  | Unused             |

| Symbol                  | Max Value Combination                             |        |        |                  | Unit | Remarks |
|-------------------------|---|--------|--------|------------------|------|---------|
|                         | Function digit<br>3, 4, 5, 6, 7, 8, 9, K, L, M, N |        |        | Function digit B |      |         |
|                         | Max *1  | Max *2 | Max *3 | Max *4           |      |         |
| F <sub>CLK_CD1B0</sub>  | 100   | 100    | 100    | 100              | MHz  | Unused  |
| F <sub>CLK_CD1B1</sub>  | 100   | 100    | 100    | 100              | MHz  | Unused  |
| F <sub>CLK_CD2</sub>    | 400   | 400    | 400    | 320              | MHz  | Unused  |
| F <sub>CLK_CD2A0</sub>  | 400   | 400    | 400    | 320              | MHz  |         |
| F <sub>CLK_CD2A1</sub>  | 400   | 400    | 400    | 320              | MHz  | Unused  |
| F <sub>CLK_CD2B0</sub>  | 400   | 400    | 400    | 320              | MHz  | Unused  |
| F <sub>CLK_CD2B1</sub>  | 400   | 400    | 400    | 320              | MHz  | Unused  |
| F <sub>CLK_CD3</sub>    | 200   | 200    | 200    | 160              | MHz  | Unused  |
| F <sub>CLK_CD3A0</sub>  | 200   | 200    | 200    | 160              | MHz  |         |
| F <sub>CLK_CD3A1</sub>  | 200   | 200    | 200    | 160              | MHz  | Unused  |
| F <sub>CLK_CD3B0</sub>  | 200   | 200    | 200    | 160              | MHz  | Unused  |
| F <sub>CLK_CD3B1</sub>  | 200   | 200    | 200    | 160              | MHz  | Unused  |
| F <sub>CLK_CD4</sub>    | 200   | 200    | 200    | 200              | MHz  |         |
| F <sub>CLK_CD4A0</sub>  | 200   | 200    | 200    | 200              | MHz  | Unused  |
| F <sub>CLK_CD4A1</sub>  | 200   | 200    | 200    | 200              | MHz  | Unused  |
| F <sub>CLK_CD4B0</sub>  | 200   | 200    | 200    | 200              | MHz  | Unused  |
| F <sub>CLK_CD4B1</sub>  | 200   | 200    | 200    | 200              | MHz  | Unused  |
| F <sub>CLK_CD5</sub>    | 240   | 240    | 240    | 240              | MHz  |         |
| F <sub>CLK_CD5A0</sub>  | 120   | 120    | 120    | 120              | MHz  |         |
| F <sub>CLK_CD5A1</sub>  | 120   | 120    | 120    | 120              | MHz  | Unused  |
| F <sub>CLK_CD5B0</sub>  | 60  | 60     | 60     | 60               | MHz  |         |
| F <sub>CLK_CD5B1</sub>  | 60  | 60     | 60     | 60               | MHz  | Unused  |
| F <sub>CLK_HSSPI</sub>  | 200   | 200    | 200    | 200              | MHz  |         |
| F <sub>CLK_SYSC0H</sub> | 60  | 66.7   | 80     | 80               | MHz  |         |
| F <sub>CLK_COMH</sub>   | 60  | 66.7   | 80     | 80               | MHz  |         |
| F <sub>CLK_RAM0H</sub>  | 60  | 66.7   | 80     | 80               | MHz  |         |
| F <sub>CLK_RAM1H</sub>  | 60  | 66.7   | 80     | 80               | MHz  |         |
| F <sub>CLK_SYSC0P</sub> | 60  | 66.7   | 80     | 80               | MHz  |         |
| F <sub>CLK_COMP</sub>   | 60  | 66.7   | 80     | 80               | MHz  |         |
| F <sub>CLK_CAN</sub>    | 40  | 40     | 40     | 40               | MHz  |         |

**Notes:**

- \*1: Maximum clock frequencies when CPU clock = 240 MHz.
- For SSCG, down spread and center spread modes are supported with following conditions:
  - For down spread mode, clock frequency setting can be up to max SSCG frequency defined in above table.
  - For center spread mode, an appropriate clock frequency setting has to be chosen so that the modulated clock does not exceed the max SSCG frequency defined in above table.
- 240 MHz or less is available for PLL.
- \*2: Maximum clock frequencies when CPU clock = 200 MHz.
- \*3: Maximum clock frequencies when CPU clock = 160 MHz. This is also a combination of maximum clock frequencies for TC FLASH Programming or Erasing.
- From \*1 to \*3, they are applied to the product series with function digit 3, 4, 5, 6, 7, 8, 9, K, L, M, and N.
- \*4: Maximum clock frequencies when CPU clock = 160 MHz for the product series with the function digit B. This is also a combination of maximum clock frequencies for TC FLASH Programming or Erasing.
- Even if a combination of clock frequency is able to be configured by software, the frequency should be configured under maximum frequency described in Table 8-1. For example, 80 MHz of CLK\_LCP0A seems to be configurable from both divided 240 MHz and 160 MHz of CLK\_CPU. But each duty ratio of configured 80 MHz as an internal signal is different from one another. In this series, the 80 MHz from the 160 MHz divided by 2 can only be assured, but the 240 MHz divided by 3 cannot be assured from the internal timing design point of view.
- F<sub>CLK\_TRC</sub>/2 (half frequency of F<sub>CLK\_TRC</sub>) comes out of the trace clock port of package external pin.
- The frequency described in () is maximum output frequency of SSCG PLL / PLL multiplier circuit.
- The configurable minimum frequency of PLLn and SSCGn output is 400 MHz.

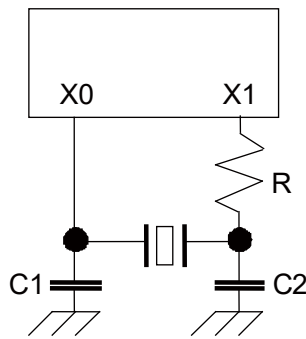
- "Unused" means a clock source which doesn't have any supply destinations. Configure these clocks to a lower clock frequency than the described maximum.



- Relationship between the oscillation clock frequency and internal clock frequency

|                                   |   | Internal Operation Clock Frequency |                 |                 |                 |                 |     |     |                  |                  |
|-----------------------------------|---|------------------------------------|-----------------|-----------------|-----------------|-----------------|-----|-----|------------------|------------------|
|                                   |   | Main Clock                         | PLL Clock       |                 |                 |                 |     |     | Multiplied by 40 | Multiplied by 60 |
|                                   |   |                                    | Multiplied by 1 | Multiplied by 2 | Multiplied by 3 | Multiplied by 4 | ... |     |                  |                  |
| Oscillation clock frequency [MHz] | 4 | 2                                  | 4               | 8               | 12              | 16              | ... | 160 | 240              |                  |

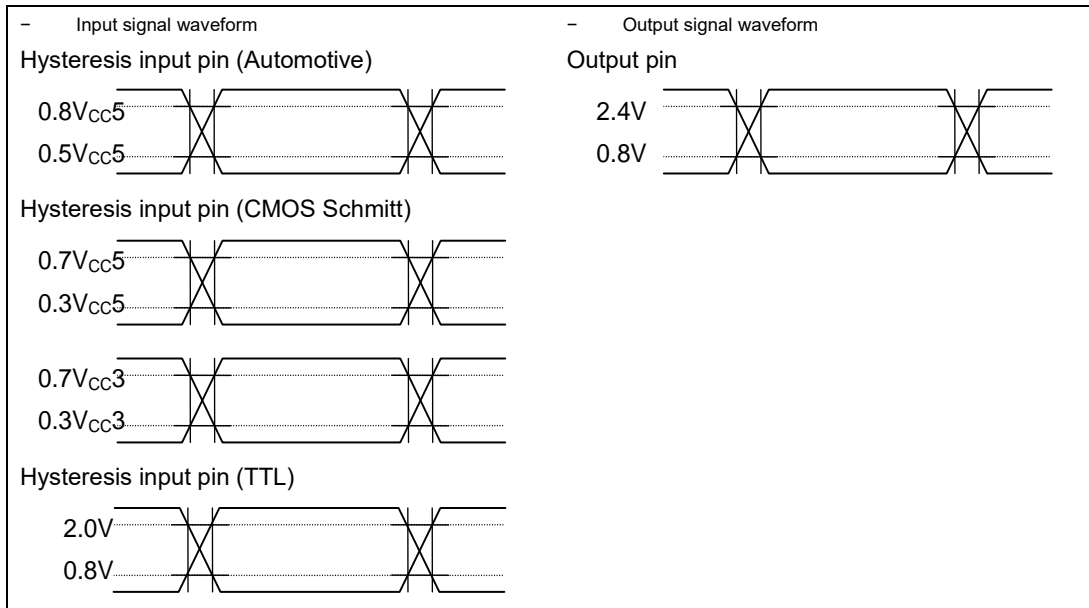
- Oscillation circuit example



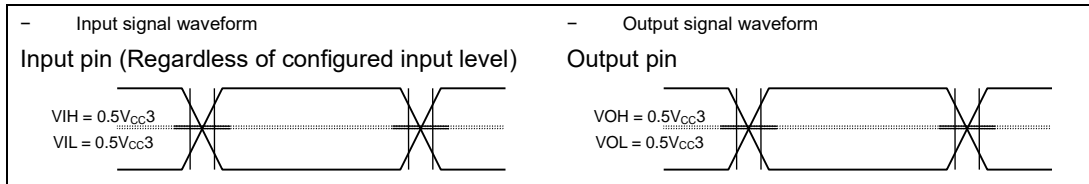
Note:

For the configuration of an oscillation circuit, request the oscillator manufacturer to perform a circuit matching evaluation before starting design.

AC characteristics are specified by the following measurement reference voltage values.



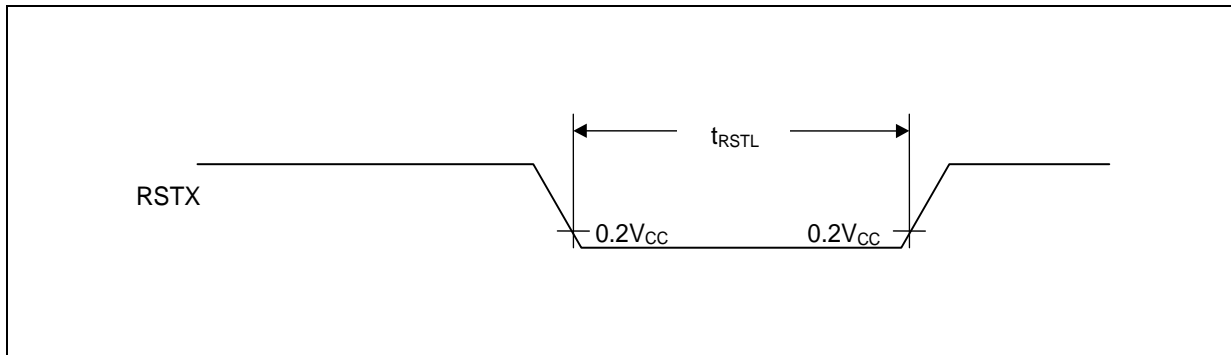
DDR-HSSPI and HyperBus AC characteristics are specified with the following reference voltage regardless of input level configuration automotive, CMOS Schmitt, and TTL.



**8.4.4 Reset**
**8.4.4.1 Reset Input**

 (Condition: See [8.2.Operation Assurance Condition](#))

| Parameter                  | Symbol     | Pin Name | Conditions | Value |     | Unit    | Remarks |
|----------------------------|------------|----------|------------|-------|-----|---------|---------|
|                            |            |          |            | Min   | Max |         |         |
| Reset input time           | $t_{RSTL}$ | RSTX     | -          | 10    | -   | $\mu s$ |         |
| Reset input pulse filtered |            |          |            | -     | 1   | $\mu s$ |         |

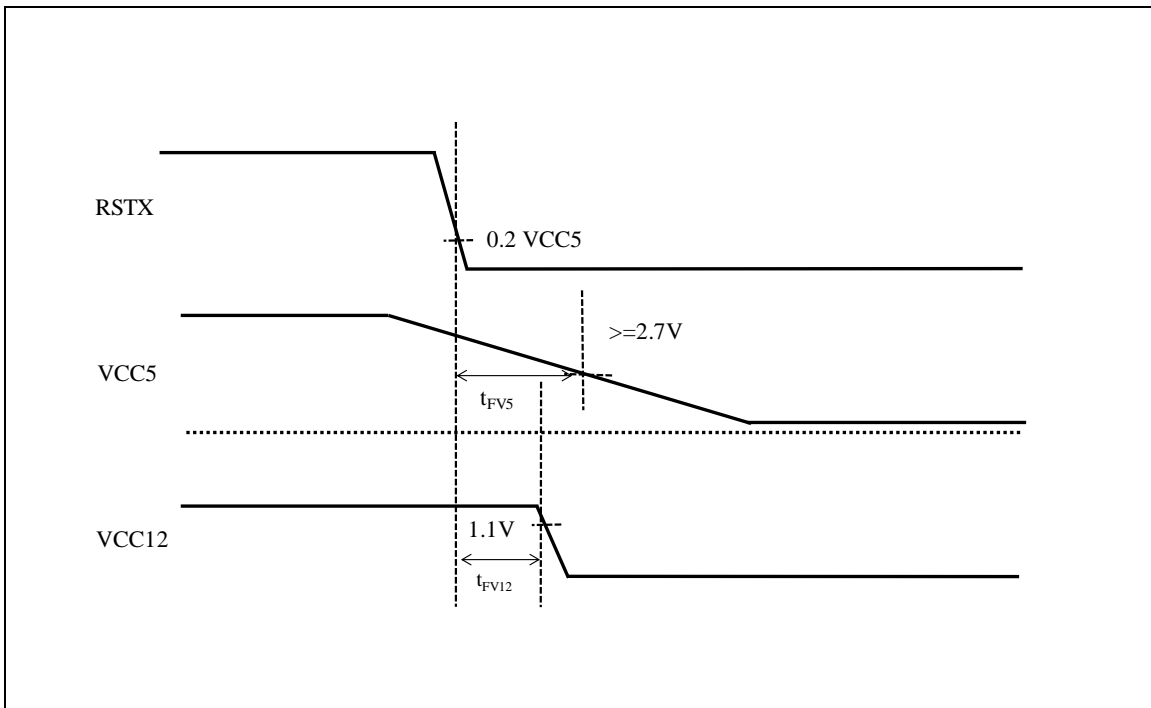


**8.4.4.2 Power Supply Voltage Stability Conditions**

□ For revision M, P

(Condition: See 8.2.Operation Assurance Condition)

| Parameter                                 | Symbol     | Pin Name | Conditions | Value |     | Unit          | Remarks                      |
|---|------------|----------|------------|-------|-----|---------------|------------------------------|
|   |            |          |            | Min   | Max |               |                              |
| VCC5 stability time after RSTX assertion  | $t_{FV5}$  | VCC5     | -          | 35    | -   | $\mu\text{s}$ | $V_{CC5} \geq 2.7\text{ V}$  |
| VCC12 stability time after RSTX assertion | $t_{FV12}$ | VCC12    | -          | 35    | -   | $\mu\text{s}$ | $V_{CC12} \geq 1.1\text{ V}$ |


**Note:**

This AC specification isn't applied except revision M, P.

8.4.5 Power-On Conditions

8.4.5.1 Power-On Conditions

(Condition: See 8.2.Operation Assurance Condition)

| Parameter   | Symbol           | Pin Name | Conditions                       | Value |      |      | Unit  | Remarks |
|---|------------------|----------|----------------------------------|-------|------|------|-------|---------|
|   |                  |          |                                  | Min   | Typ  | Max  |       |         |
| Level detection voltage                                     | -                | VCC5     | -                                | 2.15  | 2.35 | 2.55 | V     |         |
| Reset release voltage                                       | -                | VCC5     | -                                | 2.25  | 2.45 | 2.65 | V     |         |
| Level detection time  | -                | -        | -                                | -     | -    | 540  | μs    | *1      |
| Power off time  | t <sub>OFF</sub> | VCC5     | -                                | 1     | -    | -    | ms    | *2      |
| Power ramp rate   | dV/dt            | VCC5     | VCC5:<br>Between 0.2 V to 2.55 V | -     | -    | 6    | mV/μs | *3      |
| Maximum ramp rate guaranteed to not generate power-on reset | dV/dt            | VCC5     | VCC5:<br>Between 2.6 V and 4.5 V | -     | -    | 50   | mV/μs | *4      |

\*1: If a power fluctuation precedes the low-voltage detection time, the detection may occur or be canceled after the supply voltage passes the detection voltage range.

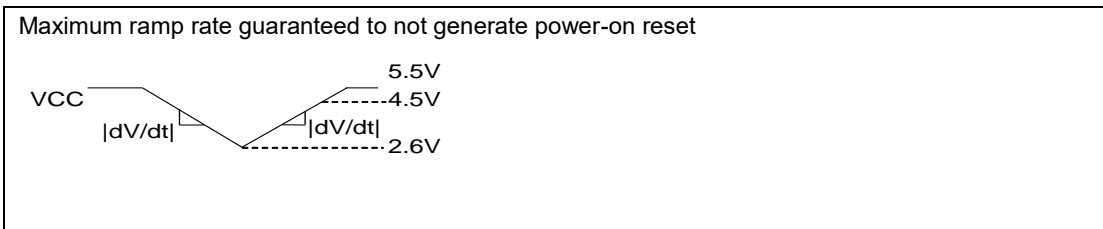
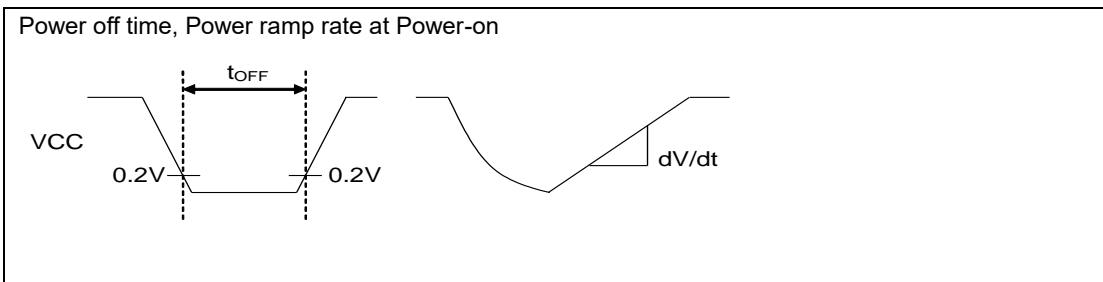
\*2: If V<sub>CC</sub> is held below 0.2 V for a minimum period of t<sub>OFF</sub>, power-on reset will occur. If t<sub>OFF</sub> is not satisfied, power-on reset will still occur if the power ramp rate is kept below 6 mV/μs.

\*3: This is the power ramp rate with which power-on reset will always occur regardless of power-off time, as mentioned in \*2.

\*4: When VCC5 is within 2.6 V - 4.5 V, and VCC5 fluctuation is below 50mV/us, the power-on reset is suppressed. Between 4.5 V - 5.5 V, the power-on reset does not occur with any VCC5 fluctuation.

**Note:**

- When neither \*2 nor \*3 can be satisfied, assert external reset (RSTX) at power-up and at any brownout event.



8.4.5.2 VCC12 Stabilization Time during Power-On / PSS to RUN Transition

(Condition: See 8.2.Operation Assurance Condition)

| Parameter   | Symbol | Pin Name | Conditions                 | Value |     |      | Unit | Remarks |    |
|---|--------|----------|----------------------------|-------|-----|------|------|---------|----|
|   |        |          |                            | Min   | Typ | Max  |      |         |    |
| VCC12 stabilization time during power-on  |        | VCC12    | -                          | -     | -   | 14.2 | ms   | *5      |    |
| VCC12 stabilization time during PSS (PD2 off) to RUN transition (Fast-CR untrimmed) | -      | VCC12    | SYSC0_SPECFGR: EX12VRSTCNT | 0000  | -   | -    | 0.7  | ms      | *5 |
|   |        |          |                            | 0001  | -   | -    | 1.4  |         |    |
|   |        |          |                            | 0010  | -   | -    | 2.1  |         |    |
|   |        |          |                            | 0011  | -   | -    | 2.8  |         |    |
|   |        |          |                            | 0100  | -   | -    | 3.5  |         |    |
|   |        |          |                            | 0101  | -   | -    | 4.2  |         |    |
|   |        |          |                            | 0110  | -   | -    | 4.9  |         |    |
|   |        |          |                            | 0111  | -   | -    | 5.7  |         |    |
|   |        |          |                            | 1000  | -   | -    | 6.4  |         |    |
|   |        |          |                            | 1001  | -   | -    | 7.1  |         |    |
|   |        |          |                            | 1010  | -   | -    | 8.5  |         |    |
|   |        |          |                            | 1011  | -   | -    | 9.9  |         |    |
|   |        |          |                            | 1100  | -   | -    | 11.4 |         |    |
|   |        |          |                            | 1101  | -   | -    | 12.8 |         |    |
| 1110 (default)  | -      | -        | 14.2                       |       |     |      |      |         |    |
| 1111  | -      | -        | 21.3                       |       |     |      |      |         |    |
| VCC12 stabilization time during PSS (PD2 off) to RUN transition (Fast-CR trimmed)   | -      | VCC12    | SYSC0_SPECFGR: EX12VRSTCNT | 0000  | -   | -    | 0.8  | ms      | *5 |
|   |        |          |                            | 0001  | -   | -    | 1.6  |         |    |
|   |        |          |                            | 0010  | -   | -    | 2.4  |         |    |
|   |        |          |                            | 0011  | -   | -    | 3.3  |         |    |
|   |        |          |                            | 0100  | -   | -    | 4.1  |         |    |
|   |        |          |                            | 0101  | -   | -    | 4.9  |         |    |
|   |        |          |                            | 0110  | -   | -    | 5.8  |         |    |
|   |        |          |                            | 0111  | -   | -    | 6.6  |         |    |
|   |        |          |                            | 1000  | -   | -    | 7.4  |         |    |
|   |        |          |                            | 1001  | -   | -    | 8.3  |         |    |
|   |        |          |                            | 1010  | -   | -    | 9.9  |         |    |
|   |        |          |                            | 1011  | -   | -    | 11.6 |         |    |
|   |        |          |                            | 1100  | -   | -    | 13.3 |         |    |
|   |        |          |                            | 1101  | -   | -    | 14.9 |         |    |
| 1110 (default)  | -      | -        | 16.6                       |       |     |      |      |         |    |
| 1111  | -      | -        | 24.9                       |       |     |      |      |         |    |

\*5: After LVDL2 reset release during power-on sequence and PSS (PD2 off) to RUN transition, VCC12 has to rise above operation assurance range within this time.

8.4.6 Multi-Function Serial

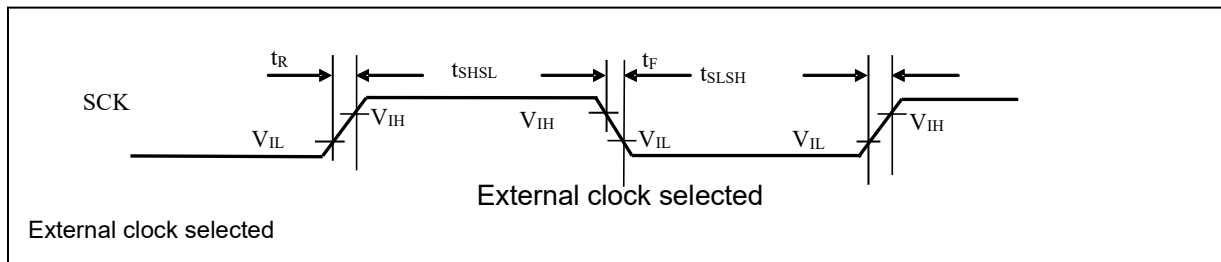
8.4.6.1 UART (Asynchronous Serial Interface) Timing (SMR: MD2-0=0b000, 0b001)

(1) External Clock Selected (BGR: EXT=1)

(Condition: See 8.2.Operation Assurance Condition)

| Parameter                    | Symbol     | Pin Name                                    | Conditions   | Value                     |     | Unit | Remarks |
|------------------------------|------------|---|--|---------------------------|-----|------|---------|
|                              |            |   |  | Min                       | Max |      |         |
| Serial clock "L" pulse width | $t_{SLSH}$ | SCK0 to SCK4, SCK8 to SCK12                 | (CL = 50 pF, IOL=-2 mA, IOH=2 mA), (CL=20 pF, IOL=-1 mA, IOH=1 mA) | $t_{CLK\_LCPnA}^{*1} +10$ | -   | ns   |         |
|                              |            | SCK16 to SCK17                              |  | $t_{CLK\_COMP} +10$       | -   | ns   |         |
| Serial clock "H" pulse width | $t_{SHSL}$ | SCK0 to SCK4, SCK8 to SCK12                 |  | $t_{CLK\_LCPnA}^{*1} +10$ | -   | ns   |         |
|                              |            | SCK16 to SCK17                              |  | $t_{CLK\_COMP} +10$       | -   | ns   |         |
| SCK falling time             | $t_F$      | SCK0 to SCK4, SCK8 to SCK12, SCK16 to SCK17 |  | -                         | 5   | ns   |         |
| SCK rising time              | $t_R$      | SCK0 to SCK4, SCK8 to SCK12, SCK16 to SCK17 |  | -                         | 5   | ns   |         |

\*1: n=0: ch.0 to ch.4, n=1: ch.8 to ch.12



8.4.6.2 CSIO Timing (SMR: MD2-0=0b010)

**(1) Normal Synchronous Transfer (SCR: SPI=0) and Mark Level "H" of Serial Clock Output (SMR: SCINV=0)**  
 (Condition: See 8.2.Operation Assurance Condition)

| Parameter                    | Symbol             | Pin Name   | Conditions   | Value                                 |                  | Unit | Remarks |
|------------------------------|--------------------|--|--|---------------------------------------|------------------|------|---------|
|                              |                    |  |  | Min                                   | Max              |      |         |
| Serial clock cycle time      | t <sub>SCYC</sub>  | SCK0 to SCK4,<br>SCK8 to SCK12   | Master Mode<br>(CL=20 pF,<br>I <sub>OL</sub> =-5 mA,<br>I <sub>OH</sub> =5 mA) | 3t <sub>CLK_LCPnA</sub> <sup>*1</sup> | -                | ns   |         |
|                              |                    | SCK16 to SCK17   |  | 3t <sub>CLK_LCPnA</sub> <sup>*2</sup> | -                |      |         |
|                              |                    |  |  | 3t <sub>CLK_COMP</sub>                | -                |      |         |
| SCK ↓ → SOT delay time       | t <sub>SLOVI</sub> | SCK0 to SCK4,<br>SCK8 to SCK12,<br>SOT0 to SOT4,<br>SOT8 to SOT12                                      |  | 0                                     | 30               | ns   |         |
|                              |                    | SCK16 to SCK17<br>SOT16 to SOT17   |  | 0                                     | 20 <sup>*3</sup> |      |         |
|                              |                    |  |  | 0                                     | 15               |      |         |
| Valid SIN → SCK ↑ setup time | t <sub>IVSHI</sub> | SCK0 to SCK4,<br>SCK8 to SCK12,<br>SIN0 to SIN4,<br>SIN8 to SIN12                                      | 26.5   | -                                     | ns               |      |         |
|                              |                    | SCK16 to CK17<br>SIN16 to SIN17  | 20 <sup>*3</sup>   |                                       |                  |      |         |
|                              |                    |  | 20   |                                       |                  |      |         |
| SCK ↑ → Valid SIN hold time  | t <sub>SHIXI</sub> | SCK0 to SCK4,<br>SCK8 to SCK12,<br>SCK16 to SCK17<br>SOT0 to SOT4,<br>SOT8 to SOT12,<br>SOT16 to SOT17 | 0  | -                                     | ns               |      |         |

| Parameter                    | Symbol             | Pin Name   | Conditions   | Value                                 |      | Unit                            | Remarks                         |
|------------------------------|--------------------|--|--|---------------------------------------|------|---------------------------------|---------------------------------|
|                              |                    |  |  | Min                                   | Max  |                                 |                                 |
| Serial clock "H" pulse width | t <sub>SHSL</sub>  | SCK0 to SCK4,<br>SCK8 to SCK12                                     | Slave Mode<br>(C <sub>L</sub> =20 pF,<br>I <sub>OL</sub> =-5 mA,<br>I <sub>OH</sub> =5 mA) | 2t <sub>CLK_LCPnA</sub> <sup>*1</sup> | -    | ns                              |                                 |
|                              |                    | SCK16 to SCK17   |  | 2t <sub>CLK_LCPnA</sub> <sup>*2</sup> | -    |                                 |                                 |
|                              |                    |  |  | 2t <sub>CLK_COMP</sub>                | -    |                                 |                                 |
| Serial clock "L" pulse width | t <sub>SLSH</sub>  | SCK0 to SCK4,<br>SCK8 to SCK12                                     |  | 2t <sub>CLK_LCPnA</sub> <sup>*1</sup> | -    | ns                              |                                 |
|                              |                    | SCK16 to SCK17   |  | 2t <sub>CLK_LCPnA</sub> <sup>*2</sup> |      |                                 |                                 |
|                              |                    |  |  | 2t <sub>CLK_COMP</sub>                | -    |                                 |                                 |
| SCK ↓ → SOT delay time       | t <sub>SLOVE</sub> | SCK0 to SCK4,<br>SCK8 to SCK12,<br>SOT0 to SOT4,<br>SOT8 to SOT12, | -  |                                       | 28.5 | ns                              | function digit 3 to 9<br>K to N |
|                              |                    | SCK16 to SCK17<br>SOT16 to SOT17                                   |  | 25 <sup>*3</sup>                      |      |                                 |                                 |
|                              |                    |  |  |                                       | 30   |                                 | function digit B                |
|                              |                    |  |  | 25                                    |      |                                 |                                 |
| Valid SIN → SCK ↑ setup time | t <sub>IVSHE</sub> | SCK0 to SCK4,<br>SCK8 to SCK12,<br>SCK16 to SCK17                  | 10   | -                                     | ns   | function digit 3 to 9<br>K to N |                                 |
|                              |                    |  | 11.5   |                                       |      | function digit B                |                                 |
| SCK ↑ → Valid SIN hold time  | t <sub>SHIXE</sub> | SIN0 to SIN4,<br>SIN8 to SIN12,<br>SIN16 to SIN17                  | 1  | -                                     | ns   |                                 |                                 |

| Parameter        | Symbol | Pin Name  | Conditions   | Value |     | Unit | Remarks |
|------------------|--------|---|--|-------|-----|------|---------|
|                  |        |   |  | Min   | Max |      |         |
| SCK falling time | $t_F$  | SCK0 to SCK4,<br>SCK8 to<br>SCK12,<br>SCK16 to<br>SCK17 | Slave<br>Mode<br>( $C_L=20$ pF,<br>$I_{OL}=-5$ mA,<br>$I_{OH}=5$ mA) | -     | 5   | ns   |         |
| SCK rising time  | $t_R$  | SCK0 to SCK4,<br>SCK8 to<br>SCK12,<br>SCK16 to<br>SCK17 |  | -     | 5   | ns   |         |

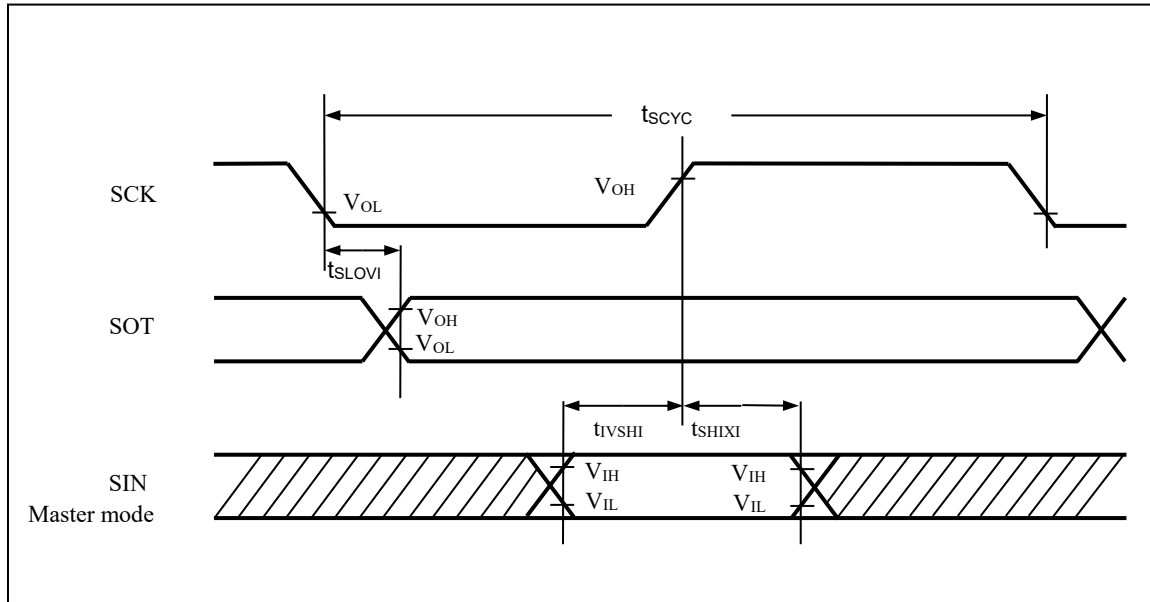
\*1: n=0: ch.0 to ch.4, n=1: ch.8 to ch.12

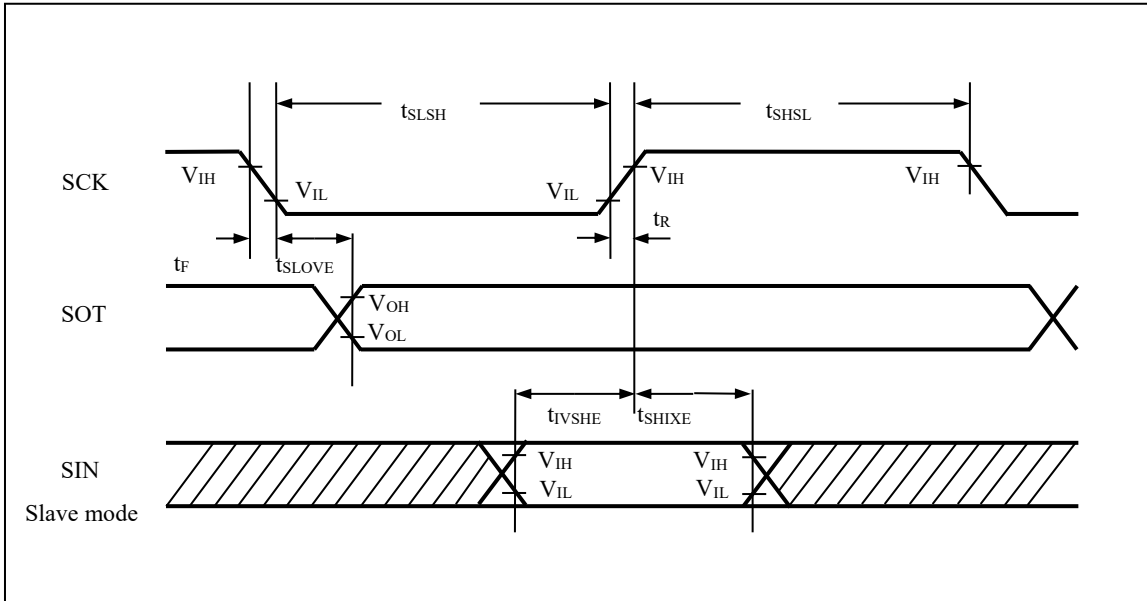
\*2: n=0: Group2 of ch.0 /ch1, n=1: Group1 of ch.8 (refer to CHAPTER 11: Port Configuration in HWM)

\*3: Group2 of ch.0, ch1, Group1 of ch.8 (refer to CHAPTER 11: Port Configuration in HWM)

**Notes:**

- This table provides the alternate current standard for CLK synchronous mode.
- $C_L$  is the load capability value connected to the pin at the test time.
- The maximum baud rate is limited by the internal operating clock used and other parameters. For details, see the hardware manual.





(2) Normal Synchronous Transfer (SCR: SPI=0) and Mark Level "L" of Serial Clock Output (SMR: SCINV=1)

(Condition: See 8.2.Operation Assurance Condition)

| Parameter                    | Symbol             | Pin Name   | Conditions  | Value                                 |                  | Unit | Remarks |
|------------------------------|--------------------|--|---|---------------------------------------|------------------|------|---------|
|                              |                    |  |   | Min                                   | Max              |      |         |
| Serial clock cycle time      | t <sub>SCYC</sub>  | SCK0 to SCK4,<br>SCK8 to SCK12   | Master Mode<br>(C <sub>L</sub> =20 pF,<br>I <sub>OL</sub> =-5 mA,<br>I <sub>OH</sub> =5 mA) | 3t <sub>CLK_LCPnA</sub> <sup>*1</sup> | -                | ns   |         |
|                              |                    | SCK16 to SCK17   |   | 3t <sub>CLK_LCPnA</sub> <sup>*2</sup> | -                |      |         |
|                              |                    |  |   | 3t <sub>CLK_COMP</sub>                | -                |      |         |
| SCK ↑ → SOT delay time       | t <sub>SHOVI</sub> | SCK0 to SCK4,<br>SCK8 to SCK12<br>SOT0 to SOT4,<br>SOT8 to SOT12                                       |   | 0                                     | 30               | ns   |         |
|                              |                    | SCK16 to SCK17<br>SOT16 to SOT17   |   | 0                                     | 20 <sup>*3</sup> |      |         |
|                              |                    |  |   | 0                                     | 15               |      |         |
| Valid SIN → SCK ↓ setup time | t <sub>IVSLI</sub> | SCK0 to SCK4,<br>SCK8 to SCK12,<br>SIN0 to SIN4,<br>SIN8 to SIN12,                                     |   | 26.5                                  | -                | ns   |         |
|                              |                    | SCK16 to SCK17<br>SIN16 to SIN17   |   | 20 <sup>*3</sup>                      | -                |      |         |
| SCK ↓ → Valid SIN hold time  | t <sub>SLIXI</sub> | SCK0 to SCK4,<br>SCK8 to SCK12,<br>SCK16 to SCK17<br>SOT0 to SOT4,<br>SOT8 to SOT12,<br>SOT16 to SOT17 |   | 0                                     | -                | ns   |         |
| Serial clock "H" pulse width | t <sub>SHSL</sub>  | SCK0 to SCK4,<br>SCK8 to SCK12   | Slave Mode<br>(C <sub>L</sub> =20 pF,<br>I <sub>OL</sub> =-5 mA,<br>I <sub>OH</sub> =5 mA)  | 2t <sub>CLK_LCPnA</sub> <sup>*1</sup> | -                | ns   |         |
|                              |                    | SCK16 to SCK17   |   | 2t <sub>CLK_LCPnA</sub> <sup>*2</sup> | -                |      |         |
|                              |                    |  |   | 2t <sub>CLK_COMP</sub>                | -                |      |         |
| Serial clock "L" pulse width | t <sub>SLSH</sub>  | SCK0 to SCK4,<br>SCK8 to SCK12   |   | 2t <sub>CLK_LCPnA</sub> <sup>*1</sup> | -                | ns   |         |
|                              |                    | SCK16 to SCK17   |   | 2t <sub>CLK_LCPnA</sub> <sup>*2</sup> | -                |      |         |
|                              |                    |  |   | 2t <sub>CLK_COMP</sub>                | -                |      |         |

| Parameter   | Symbol      | Pin Name   | Conditions  | Value |           | Unit                            | Remarks                         |
|---|-------------|--|---|-------|-----------|---------------------------------|---------------------------------|
|   |             |  |   | Min   | Max       |                                 |                                 |
| SCK $\uparrow$ $\rightarrow$ SOT delay time         | $t_{SHOVE}$ | SCK0 to SCK4,<br>SCK8 to SCK12,<br>SOT0 to SOT4,<br>SOT8 to SOT12,                                     | Slave Mode<br>( $C_L=20$ pF,<br>$I_{OL}=-5$ mA,<br>$I_{OH}=5$ mA) | -     | 28.5      | ns                              | function digit 3 to 9<br>K to N |
|   |             |  |   |       | $25^{*3}$ |                                 | function digit B                |
|   |             | SCK16 to SCK17<br>SOT16 to SOT17   |   |       | 30        |                                 |                                 |
|   |             |  |   |       | 25        |                                 |                                 |
| Valid SIN $\rightarrow$ SCK $\downarrow$ setup time | $t_{IVSLE}$ | SCK0 to SCK4,<br>SCK8 to SCK12,<br>SCK16 to SCK17<br>SIN0 to SIN4,<br>SIN8 to SIN12,<br>SIN16 to SIN17 | 10  | -     | ns        | function digit 3 to 9<br>K to N |                                 |
|   |             |  | 11.5  |       |           | function digit B                |                                 |
| SCK $\downarrow$ $\rightarrow$ Valid SIN hold time  | $t_{SLIXE}$ |  | 1   | -     | ns        |                                 |                                 |
| SCK falling time                                    | $t_F$       | SCK0 to SCK4,<br>SCK8 to SCK12,<br>SCK16 to SCK17  | -   | 5     | ns        |                                 |                                 |
| SCK rising time                                     | $t_R$       | SCK0 to SCK4,<br>SCK8 to SCK12,<br>SCK16 to SCK17  | -   | 5     | ns        |                                 |                                 |

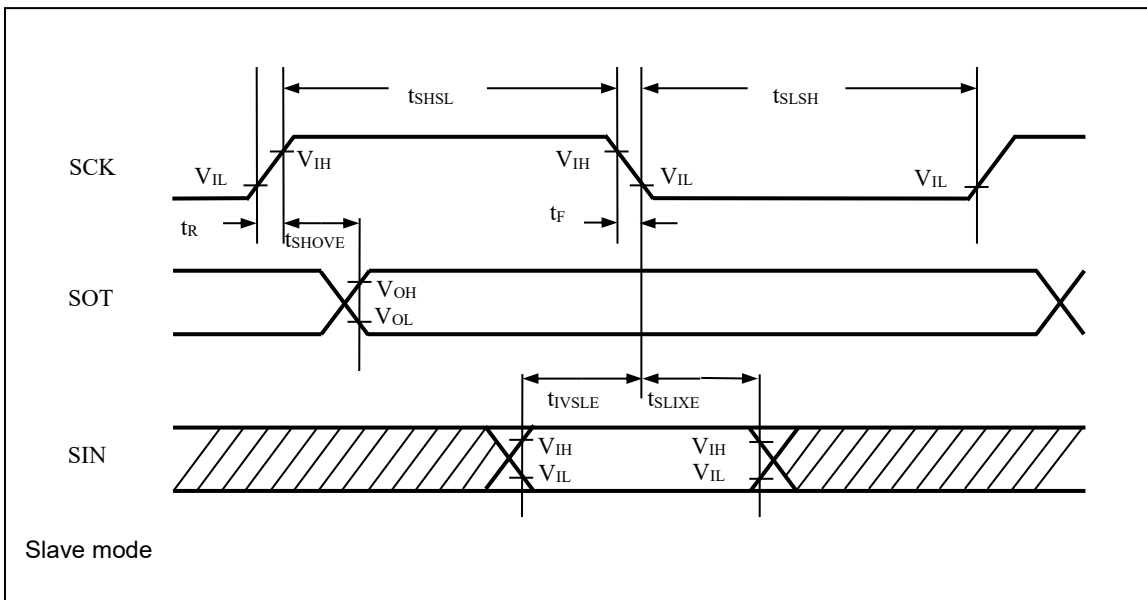
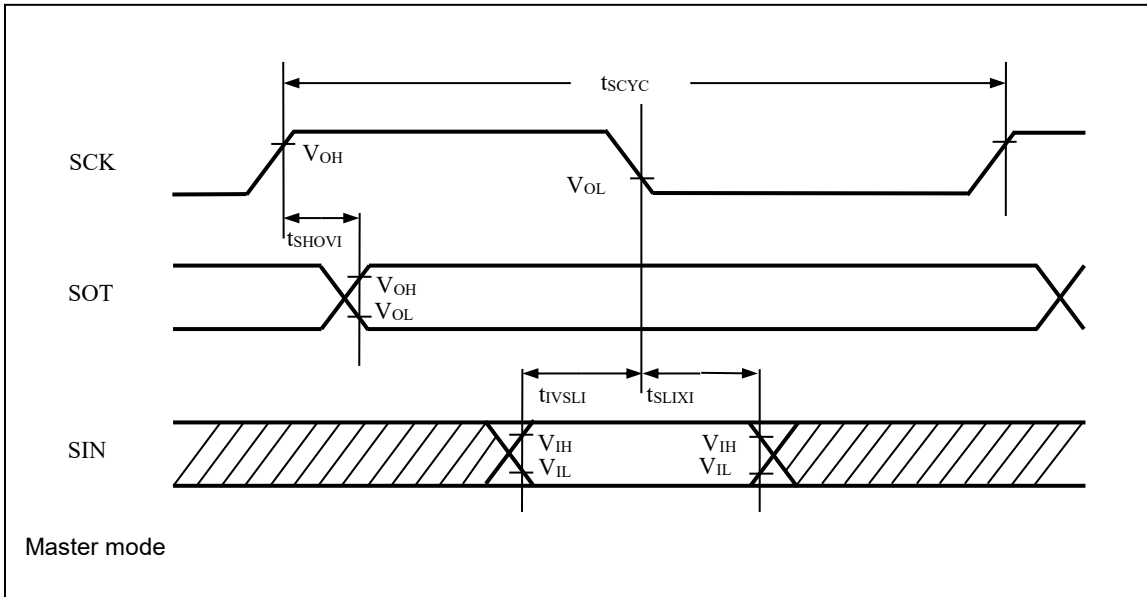
\*1: n=0: ch.0 to ch.4, n=1: ch.8 to ch.12

\*2: n=0: Group2 of ch.0 /ch1, n=1: Group1 of ch.8 (refer to CHAPTER 11: Port Configuration in HWM)

\*3: Group2 of ch.0, ch1, Group1 of ch.8 (refer to CHAPTER 11: Port Configuration in HWM)

**Notes:**

- This table provides the alternate current standard for CLK synchronous mode.
- $C_L$  is the load capability value connected to the pin at the test time.
- The maximum baud rate is limited by the internal operating clock used and other parameters. For details, see the hardware manual.



**(3) SPI Supported (SCR: SPI=1), and Mark Level "H" of Serial Clock Output (SMR: SCINV=0)**

(Condition: See 8.2.Operation Assurance Condition)

| Parameter                    | Symbol             | Pin Name   | Conditions   | Value                                      |                  | Unit             | Remarks |  |
|------------------------------|--------------------|--|--|--|------------------|------------------|---------|--|
|                              |                    |  |  | Min  | Max              |                  |         |  |
| Serial clock cycle time      | t <sub>SCYC</sub>  | SCK0 to SCK4,<br>SCK8 to SCK12   | Master Mode<br>(CL=20 pF,<br>I <sub>OL</sub> =-5 mA,<br>I <sub>OH</sub> =5 mA) | 3t <sub>CLK_LCPnA</sub> <sup>*1</sup>      | -                | ns               |         |  |
|                              |                    |  |  | 3t <sub>CLK_LCPnA</sub> <sup>*2</sup>      | -                |                  |         |  |
|                              |                    | SCK16 to SCK17   |  | 3t <sub>CLK_COMP</sub>                     | -                |                  |         |  |
| SCK ↑ → SOT delay time       | t <sub>SHOVI</sub> | SCK0 to SCK4,<br>SCK8 to SCK12,<br>SOT0 to SOT4,<br>SOT8 to SOT12,                                     |  |  | 0                | 30               | ns      |  |
|                              |                    |  |  |  | 0                | 20 <sup>*3</sup> |         |  |
|                              |                    | SCK16 to SCK17<br>SOT16 to SOT17   |  |  | 0                | 15               |         |  |
| Valid SIN → SCK ↓ setup time | t <sub>IVSLI</sub> | SCK0 to SCK4,<br>SCK8 to SCK12,<br>SIN0 to SIN4,<br>SIN8 to SIN12,                                     |  |  | 26.5             | -                | ns      |  |
|                              |                    |  |  |  | 20 <sup>*3</sup> | -                |         |  |
|                              |                    | SCK16 to SCK17<br>SIN16 to SIN17   |  |  | 20               | -                |         |  |
| SCK ↓ → Valid SIN hold time  | t <sub>SLIXI</sub> | SCK0 to SCK4,<br>SCK8 to SCK12,<br>SCK16 to SCK17<br>SIN0 to SIN4,<br>SIN8 to SIN12,<br>SIN16 to SIN17 |  |  | 0                | -                | ns      |  |
| SOT → SCK ↓ delay time       | t <sub>SOVLI</sub> | SCK0 to SCK4,<br>SCK8 to SCK12<br>SOT0 to SOT4,<br>SOT8 to SOT12                                       |  | 2t <sub>CLK_LCPnA</sub> <sup>*1</sup> - 30 | -                | ns               |         |  |
|                              |                    |  |  | 2t <sub>CLK_LCPnA</sub> <sup>*2</sup> - 20 | -                |                  |         |  |
|                              |                    | SCK16 to SCK17   |  | 2t <sub>CLK_COMP</sub> <sup>*1</sup> - 15  | -                |                  |         |  |

| Parameter                       | Symbol             | Pin Name   | Conditions  | Value                                 |     | Unit                                  | Remarks |
|---------------------------------|--------------------|--|---|---------------------------------------|-----|---------------------------------------|---------|
|                                 |                    |  |   | Min                                   | Max |                                       |         |
| Serial clock<br>"H" pulse width | t <sub>SHSL</sub>  | SCK0 to SCK4,<br>SCK8 to SCK12                                     | Slave<br>Mode<br>(C <sub>L</sub> =20 pF,<br>I <sub>OL</sub> =-5 mA,<br>I <sub>OH</sub> =5 mA) | 2t <sub>CLK_LCPnA</sub> <sup>*1</sup> | -   | ns                                    |         |
|                                 |                    |  |   | 2t <sub>CLK_LCPnA</sub> <sup>*2</sup> | -   |                                       |         |
|                                 | SCK16 to SCK17     | 2t <sub>CLK_COMP</sub>   |   | -                                     |     |                                       |         |
| Serial clock<br>"L" pulse width | t <sub>SLSH</sub>  | SCK0 to SCK4,<br>SCK8 to SCK12                                     |   | 2t <sub>CLK_LCPnA</sub> <sup>*1</sup> | -   | ns                                    |         |
|                                 |                    |  |   | 2t <sub>CLK_LCPnA</sub> <sup>*2</sup> | -   |                                       |         |
|                                 | SCK16 to SCK17     | 2t <sub>CLK_COMP</sub>   |   | -                                     |     |                                       |         |
| SCK ↑ → SOT<br>delay time       | t <sub>SHOVE</sub> | SCK0 to SCK4,<br>SCK8 to SCK12,<br>SOT0 to SOT4,<br>SOT8 to SOT12, | -   | 28.5                                  | ns  | function<br>digit<br>3 to 9<br>K to N |         |
|                                 |                    |  |   | 25 <sup>*3</sup>                      |     |                                       |         |
|                                 |                    | SCK16 to SCK17<br>SOT16 to SOT17                                   |   | 30                                    |     | function<br>digit<br>B                |         |
|                                 |                    |  |   | 25                                    |     |                                       |         |

| Parameter                    | Symbol             | Pin Name   | Conditions   | Value |     | Unit | Remarks                      |
|------------------------------|--------------------|--|--|-------|-----|------|------------------------------|
|                              |                    |  |  | Min   | Max |      |                              |
| Valid SIN → SCK ↓ setup time | t <sub>IVSLE</sub> | SCK0 to SCK4,<br>SCK8 to SCK12,<br>SCK16 to SCK17<br>SIN0 to SIN4,<br>SIN8 to SIN12,<br>SIN16 to SIN17 | Slave Mode<br>(C <sub>L</sub> =20 pF,<br>I <sub>OL</sub> =-5 mA,<br>I <sub>OH</sub> =5 mA) | 10    | -   | ns   | function digit 3 to 9 K to N |
|                              |                    |  |  | 11.5  | -   |      | function digit B             |
| SCK ↓ → Valid SIN hold time  | t <sub>SLIXE</sub> |  |  | 1     | -   | ns   |                              |
| SCK falling time             | t <sub>F</sub>     | SCK0 to SCK4,<br>SCK8 to SCK12<br>SCK16 to SCK17   |  | -     | 5   | ns   |                              |
| SCK rising time              | t <sub>R</sub>     | SCK0 to SCK4,<br>SCK8 to SCK12<br>SCK16 to SCK17   |  | -     | 5   | ns   |                              |

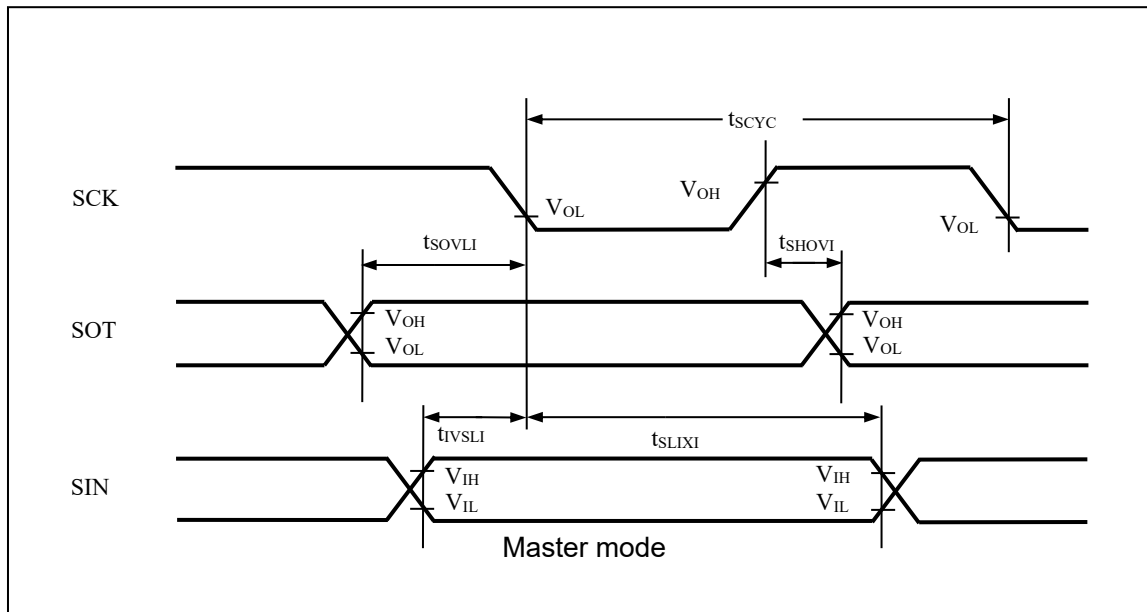
\*1: n=0: ch.0 to ch.4, n=1: ch.8 to ch.12

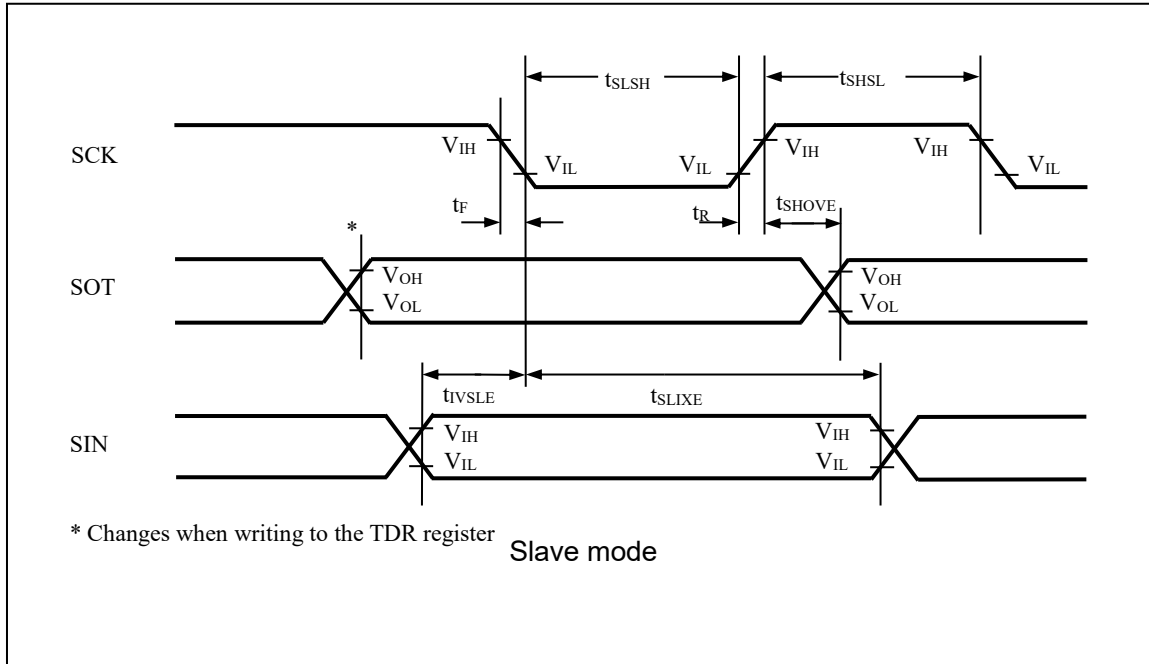
\*2: n=0: Group2 of ch.0 /ch1, n=1: Group1 of ch.8 (refer to CHAPTER 11: Port Configuration in HWM)

\*3: Group2 of ch.0, ch1, Group1 of ch.8 (refer to CHAPTER 11: Port Configuration in HWM)

**Notes:**

- This table provides the alternate current standard for CLK synchronous mode.
- C<sub>L</sub> is the load capability value connected to the pin at the test time.
- The maximum baud rate is limited by the internal operating clock used and other parameters. For details, see the hardware manual.





**(4) SPI Supported (SCR: SPI=1), and Mark Level "L" of Serial Clock Output (SMR: SCINV=1)**

(Condition: See 8.2.Operation Assurance Condition)

| Parameter                     | Symbol             | Pin Name   | Conditions  | Value   |     | Unit             | Remarks |  |
|-------------------------------|--------------------|--|---|---|-----|------------------|---------|--|
|                               |                    |  |   | Min   | Max |                  |         |  |
| Serial clock cycle time       | t <sub>SCYC</sub>  | SCK0 to SCK4,<br>SCK8 to SCK12   | Master Mode<br>(C <sub>L</sub> =20 pF,<br>I <sub>OL</sub> =-5 mA,<br>I <sub>OH</sub> =5 mA) | 3t <sub>CLK_LCPnA</sub> <sup>*1</sup>         | -   | ns               |         |  |
|                               |                    |  |   | 3t <sub>CLK_LCPnA</sub> <sup>*2</sup>         | -   |                  |         |  |
|                               |                    | SCK16 to SCK17   |   | 3t <sub>CLK_COMP</sub>                        | -   |                  |         |  |
| SCK ↓ -> SOT delay time       | t <sub>SLOVI</sub> | SCK0 to SCK4,<br>SCK8 to SCK12,<br>SOT0 to SOT4,<br>SOT8 to SOT12,                                     |   |   | 0   | 30               | ns      |  |
|                               |                    | SCK16 to SCK17<br>SOT16 to SOT17   |   |   | 0   | 20 <sup>*3</sup> |         |  |
|                               |                    |  |   | 0   | 15  |                  |         |  |
| Valid SIN -> SCK ↑ setup time | t <sub>IVSHI</sub> | SCK0 to SCK4,<br>SCK8 to SCK12,<br>SIN0 to SIN4,<br>SIN8 to SIN12,                                     |   | 26.5  | -   | ns               |         |  |
|                               |                    | SCK16 to SCK17<br>SOT16 to SOT17   |   | 20 <sup>*3</sup>                              | -   |                  |         |  |
|                               |                    |  | 20  | -   |     |                  |         |  |
| SCK ↑ -> Valid SIN hold time  | t <sub>SHIXI</sub> | SCK0 to SCK4,<br>SCK8 to SCK12,<br>SCK16 to SCK17<br>SIN0 to SIN4,<br>SIN8 to SIN12,<br>SIN16 to SIN17 |   | 0   | -   | ns               |         |  |
| SOT -> SCK ↑ delay time       | t <sub>SOVHI</sub> | SCK0 to SCK4,<br>SCK8 to SCK12<br>SOT0 to SOT4,<br>SOT8 to SOT12                                       |   | 2t <sub>CLK_LCPnA</sub> <sup>*1</sup> -<br>30 | -   | ns               |         |  |
|                               |                    |  |   | 2t <sub>CLK_LCPnA</sub> <sup>*2</sup> -<br>20 | -   |                  |         |  |
|                               |                    | SCK16 to SCK17<br>SOT16 to SOT17   |   | 2t <sub>CLK_COMP</sub> -<br>15                | -   | ns               |         |  |

| Parameter                        | Symbol             | Pin Name   | Conditions  | Value  |                     | Unit | Remarks                            |  |
|----------------------------------|--------------------|--|---|--|---------------------|------|------------------------------------|--|
|                                  |                    |  |   | Min  | Max                 |      |                                    |  |
| Serial clock<br>"H" pulse width  | t <sub>SHSL</sub>  | SCK0 to SCK4,<br>SCK8 to SCK12   | Slave<br>Mode<br>(C <sub>L</sub> =20 pF,<br>I <sub>OL</sub> =-5 mA,<br>I <sub>OH</sub> =5 mA) | 2t <sub>CLK_LCPnA</sub> <sup>*1</sup>            | -                   | ns   |                                    |  |
|                                  |                    |  |   | 2t <sub>CLK_LCPnA</sub> <sup>*2</sup>            |                     |      |                                    |  |
|                                  | SCK16 to SCK17     | 2t <sub>CLK_COMP</sub>   |   | -  | ns                  |      |                                    |  |
| Serial clock<br>"L" pulse width  | t <sub>SLSH</sub>  | SCK0 to SCK4,<br>SCK8 to SCK12   |   | 2t <sub>CLK_LCPnA</sub> <sup>*1</sup>            | -                   | ns   |                                    |  |
|                                  |                    |  |   | 2t <sub>CLK_LCPnA</sub> <sup>*2</sup>            | -                   |      |                                    |  |
|                                  | SCK16 to SCK17     | 2t <sub>CLK_COMP</sub>   |   | -  | ns                  |      |                                    |  |
| SCK ↓ -> SOT<br>delay time       | t <sub>SLOVE</sub> | SCK0 to SCK4,<br>SCK8 to SCK12,<br>SOT0 to SOT4,<br>SOT8 to SOT12,                                     |   | -  | 28.5                | ns   | function digit<br>3 to 9<br>K to N |  |
|                                  |                    |  |   |  | 25 <sup>*3</sup>    |      |                                    |  |
|                                  |                    | 30   |   |  | function digit<br>B |      |                                    |  |
|                                  |                    | 25   |   |  |                     |      |                                    |  |
| Valid SIN -> SCK ↑<br>setup time | t <sub>IVSHE</sub> | SCK0 to SCK4,<br>SCK8 to SCK12,<br>SCK16 to SCK17<br>SIN0 to SIN4,<br>SIN8 to SIN12,<br>SIN16 to SIN17 | Slave<br>Mode<br>(C <sub>L</sub> =20 pF,<br>I <sub>OL</sub> =-5 mA,<br>I <sub>OH</sub> =5 mA) | 10   | -                   | ns   | function digit<br>3 to 9<br>K to N |  |
|                                  |                    |  |   | 11.5   |                     |      | function digit<br>B                |  |
| SCK ↑ -> Valid SIN<br>hold time  | t <sub>SHIXE</sub> |  |   | 1  |                     | ns   |                                    |  |
| SCK falling time                 | t <sub>F</sub>     |  |   | SCK0 to SCK4,<br>SCK8 to SCK12<br>SCK16 to SCK17 | -                   | 5    | ns                                 |  |
| SCK rising time                  | t <sub>R</sub>     |  |   | SCK0 to SCK4,<br>SCK8 to SCK12<br>SCK16 to SCK17 | -                   | 5    | ns                                 |  |

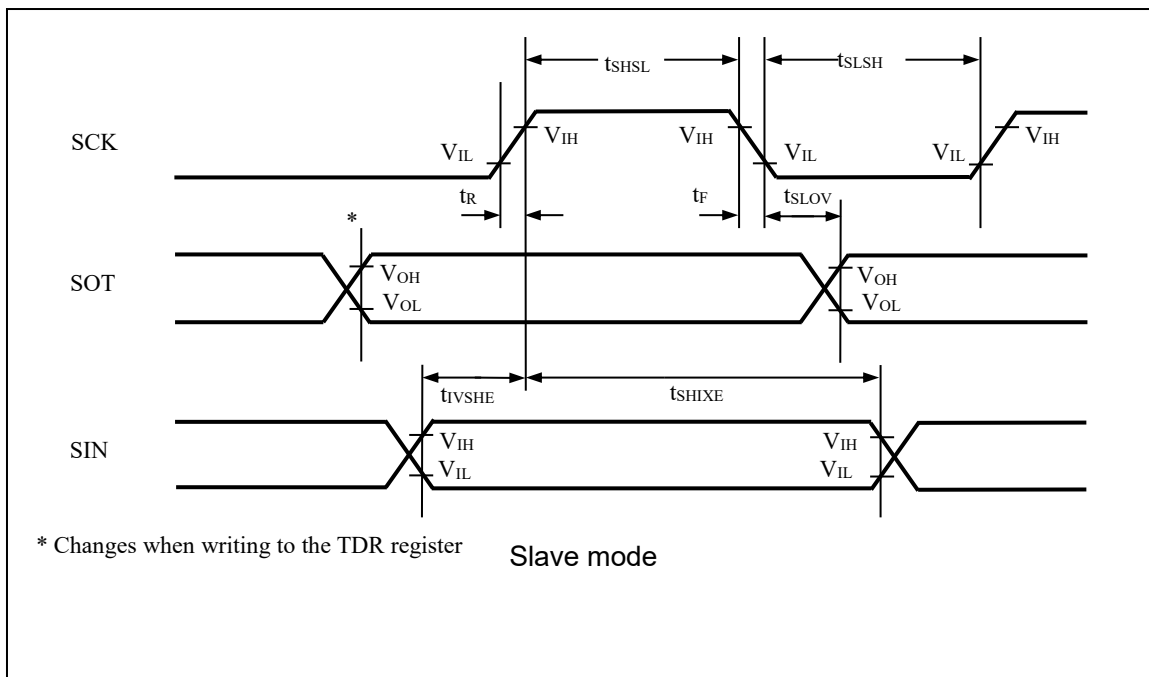
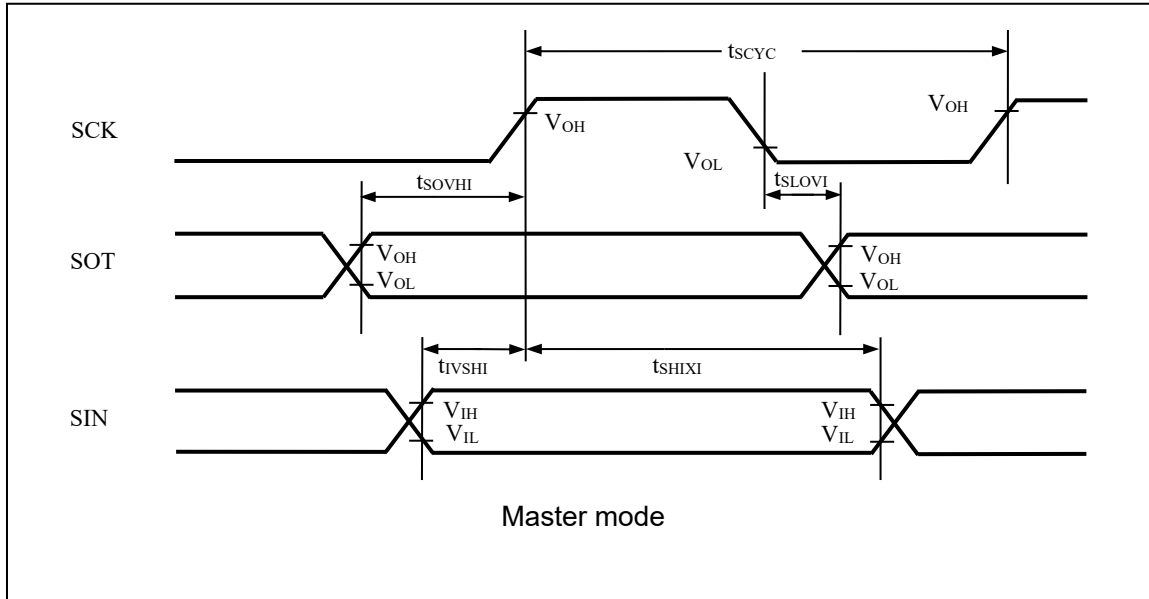
\*1: n=0: ch.0 to ch.4, n=1: ch.8 to ch.12

\*2: n=0: Group2 of ch.0 /ch1, n=1: Group1 of ch.8 (refer to CHAPTER 11: Port Configuration in HWM)

\*3: Group2 of ch.0, ch1, Group1 of ch.8 (refer to CHAPTER 11: Port Configuration in HWM)

**Notes:**

- This table provides the alternate current standard for CLK synchronous mode.
- C<sub>L</sub> is the load capability value connected to the pin at the test time.
- The maximum baud rate is limited by the internal operating clock used and other parameters.  
For details, see the hardware manual.



**(5) Mark Level "H" of Serial Clock Output (SMR: SCINV=0) and Mark Level "H" of Serial Chip Select (SCSCR: CSLVL=1)**

(Condition: See 8.2.Operation Assurance Condition)

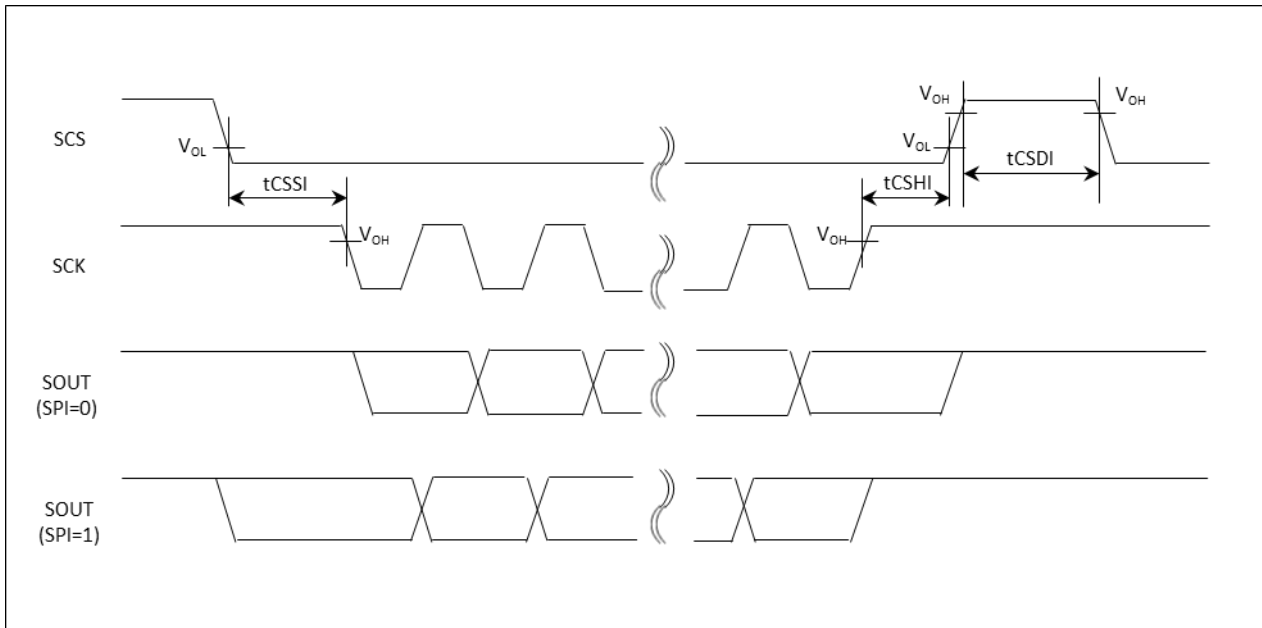
| Parameter                       | Symbol     | Conditions   | Value                |                | Unit | Remarks |
|---------------------------------|------------|--|----------------------|----------------|------|---------|
|                                 |            |  | Min                  | Max            |      |         |
| SCS ↓ → SCK ↓ setup time        | $t_{CSSI}$ | Master mode<br>( $C_L = 20\text{ pF}$<br>$I_{OL} = -5\text{ mA}$ ,<br>$I_{OH} = 5\text{ mA}$ )                   | $-20^{*1}$           | -              | ns   |         |
| SCK ↑ → SCS ↑ hold time         | $t_{CSHI}$ |  | $0^{*2}$             | -              | ns   |         |
| SCS deselect time               | $t_{CSDI}$ |  | $-20 + 5t_{cp}^{*3}$ | -              | ns   |         |
| SCK ↓ → SCS ↓ clock change time | $t_{SCC}$  | Round Function<br>Master mode<br>( $C_L = 20\text{ pF}$<br>$I_{OL} = -5\text{ mA}$ ,<br>$I_{OH} = 5\text{ mA}$ ) | $3t_{cp} + 0$        | $3t_{cp} + 20$ | ns   |         |

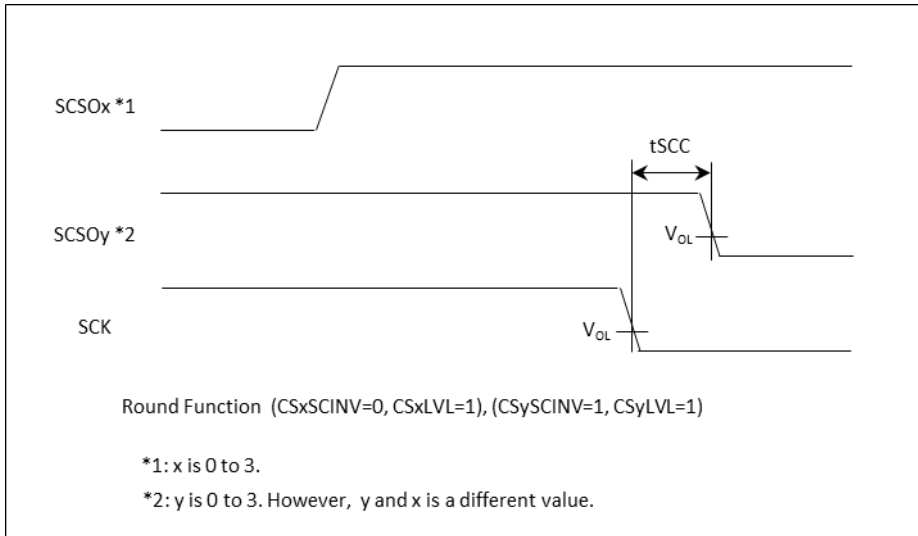
\*1) SCSTR1.CSSU=0.  $t_{CSSI}$  can be configured.

\*2) SCSTR0.CSHD=0.  $t_{CSHI}$  can be configured.

\*3) SCSTR3/2.CSDS=0.  $t_{CSDI}$  can be configured.

$t_{cp}$  is bus clock. Ch0-4 is CLK\_LCP0A. Ch8-12 is CLK\_LCP1A. Ch16-17 is CLK\_COMP.





**(6) Mark Level "L" of Serial Clock Output (SMR: SCINV=1) and Mark Level "H" of Serial Chip Select (SCSCR: CSLVL=1)**

(Condition: See 8.2.Operation Assurance Condition)

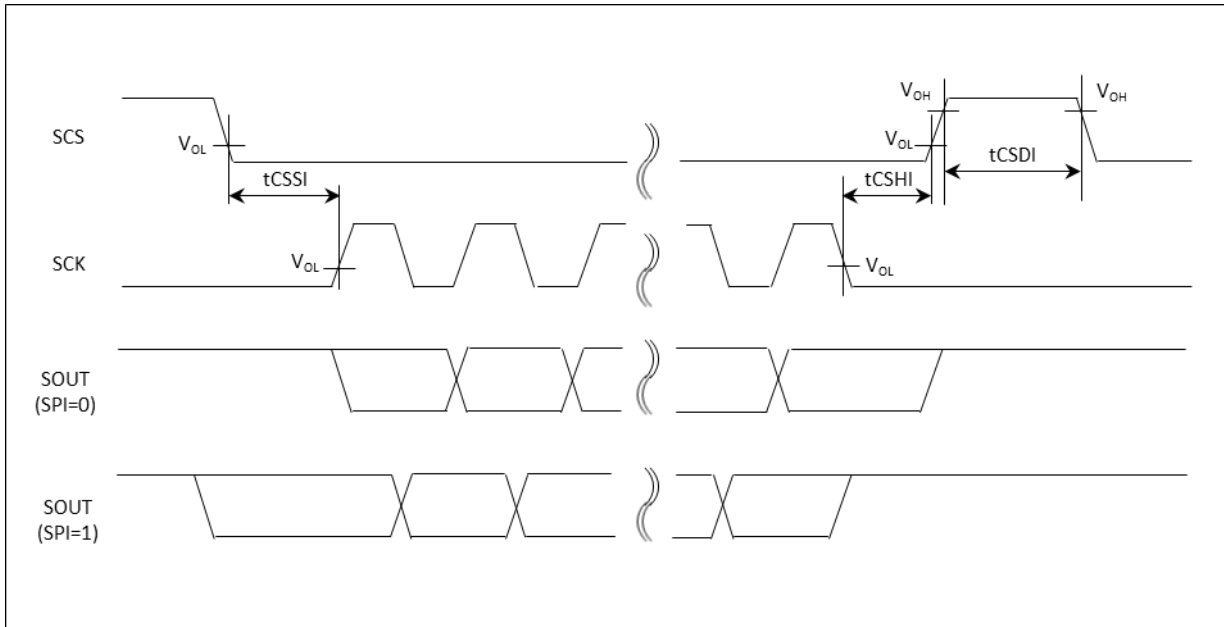
| Parameter                       | Symbol     | Conditions   | Value                |                | Unit | Remarks |
|---------------------------------|------------|--|----------------------|----------------|------|---------|
|                                 |            |  | Min                  | Max            |      |         |
| SCS ↓ → SCK ↑ setup time        | $t_{CSSI}$ | Master mode<br>( $C_L = 20\text{ pF}$<br>$I_{OL} = -5\text{ mA}$ ,<br>$I_{OH} = 5\text{ mA}$ )                   | $-20^{*1}$           | -              | ns   |         |
| SCK ↓ → SCS ↑ hold time         | $t_{CSHI}$ |  | $0^{*2}$             | -              | ns   |         |
| SCS deselect time               | $t_{CSDI}$ |  | $-20 + 5t_{cp}^{*3}$ | -              | ns   |         |
| SCK ↑ → SCS ↓ clock change time | $t_{SCC}$  | Round Function<br>Master mode<br>( $C_L = 20\text{ pF}$<br>$I_{OL} = -5\text{ mA}$ ,<br>$I_{OH} = 5\text{ mA}$ ) | $3t_{cp} + 0$        | $3t_{cp} + 20$ | ns   |         |

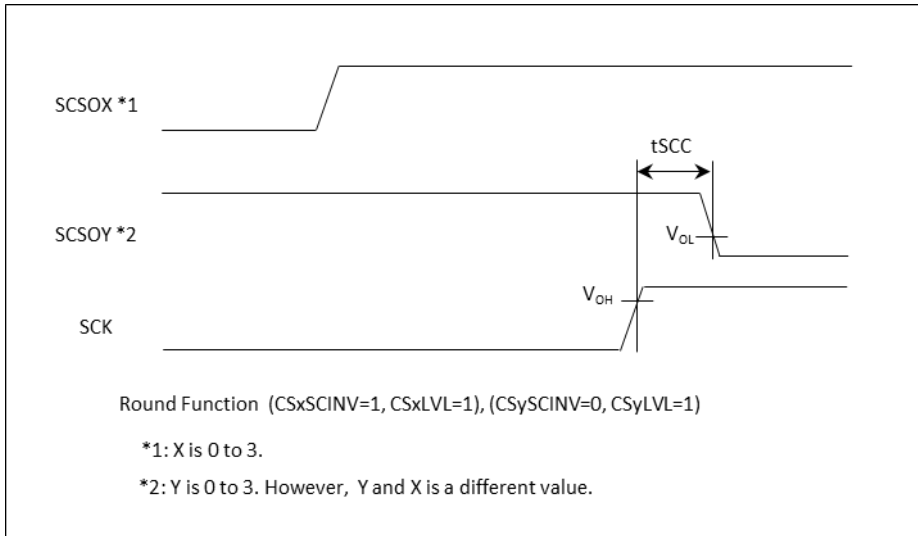
\*1) SCSTR1.CSSU=0.  $t_{CSSI}$  can be configured.

\*2) SCSTR0.CSHD=0.  $t_{CSHI}$  can be configured.

\*3) SCSTR3/2.CSDS=0.  $t_{CSDI}$  can be configured.

$t_{cp}$  is bus clock. Ch0-4 is CLK\_LCP0A. Ch8-12 is CLK\_LCP1A. Ch16-17 is CLK\_COMP.





**(7) Mark Level "H" of Serial Clock Output (SMR: SCINV=0) and Mark Level "L" of Serial Chip Select (SCSCR: CSLVL=0)**

(Condition: See 8.2.Operation Assurance Condition)

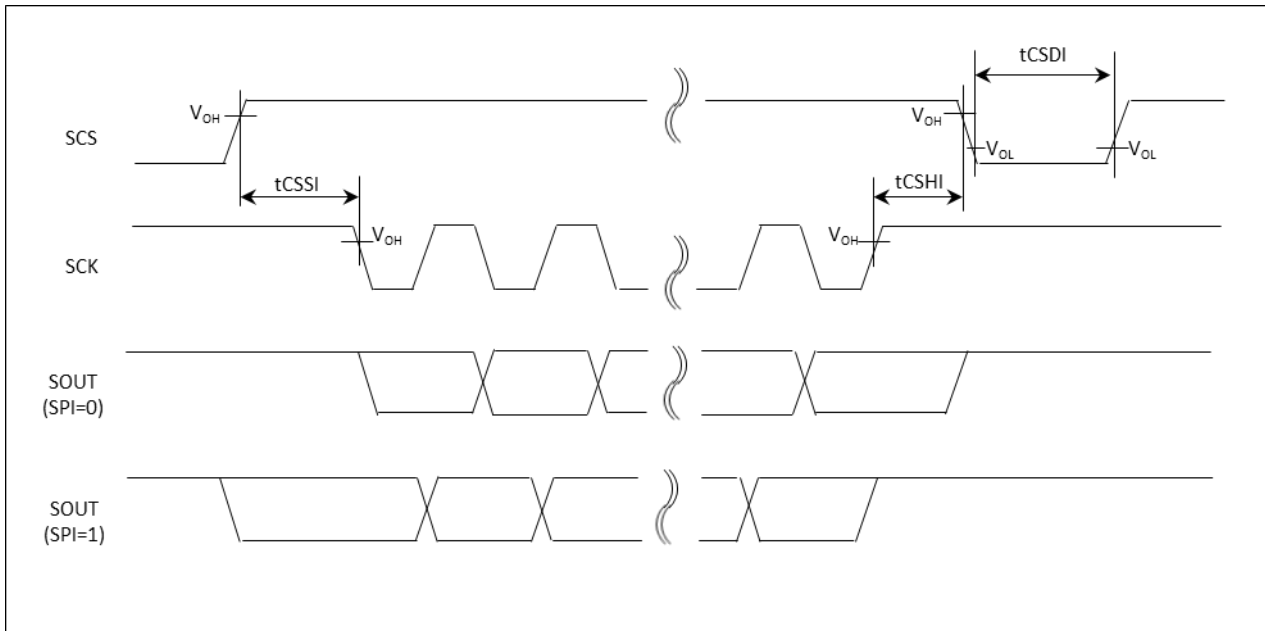
| Parameter   | Symbol     | Conditions   | Value                |                | Unit | Remarks |
|---|------------|--|----------------------|----------------|------|---------|
|   |            |  | Min                  | Max            |      |         |
| SCS $\uparrow$ $\rightarrow$ SCK $\downarrow$ setup time        | $t_{CSSI}$ | Master mode<br>( $C_L = 20\text{ pF}$<br>$I_{OL} = -5\text{ mA}$ ,<br>$I_{OH} = 5\text{ mA}$ )                   | $-20^{*1}$           | -              | ns   |         |
| SCK $\uparrow$ $\rightarrow$ SCS $\downarrow$ hold time         | $t_{CSHI}$ |  | $0^{*2}$             | -              | ns   |         |
| SCS deselect time   | $t_{CSDI}$ |  | $-20 + 5t_{cp}^{*3}$ | -              | ns   |         |
| SCK $\downarrow$ $\rightarrow$ SCS $\uparrow$ clock change time | $t_{SCC}$  | Round Function<br>Master mode<br>( $C_L = 20\text{ pF}$<br>$I_{OL} = -5\text{ mA}$ ,<br>$I_{OH} = 5\text{ mA}$ ) | $3t_{cp} + 0$        | $3t_{cp} + 20$ | ns   |         |

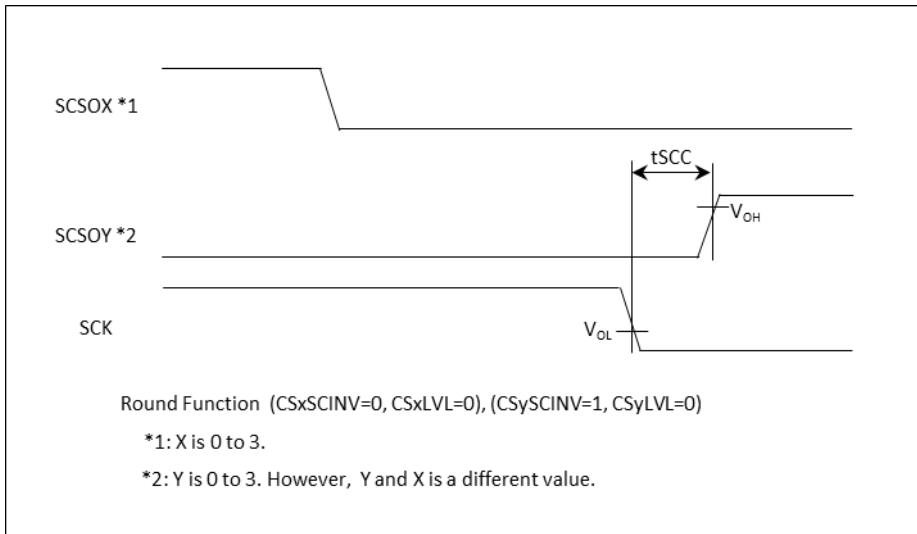
\*1) SCSTR1.CSSU=0.  $t_{CSSI}$  can be configured.

\*2) SCSTR0.CSHD=0.  $t_{CSHI}$  can be configured.

\*3) SCSTR3/2.CSDS=0.  $t_{CSDI}$  can be configured.

$t_{cp}$  is bus clock. Ch0-4 is CLK\_LCP0A. Ch8-12 is CLK\_LCP1A. Ch16-17 is CLK\_COMP.





**(8) Mark Level "L" of Serial Clock Output (SMR: SCINV=1) and Mark Level "L" of Serial Chip Select (SCSCR: CSLVL=0)**

(Condition: See 8.2.Operation Assurance Condition)

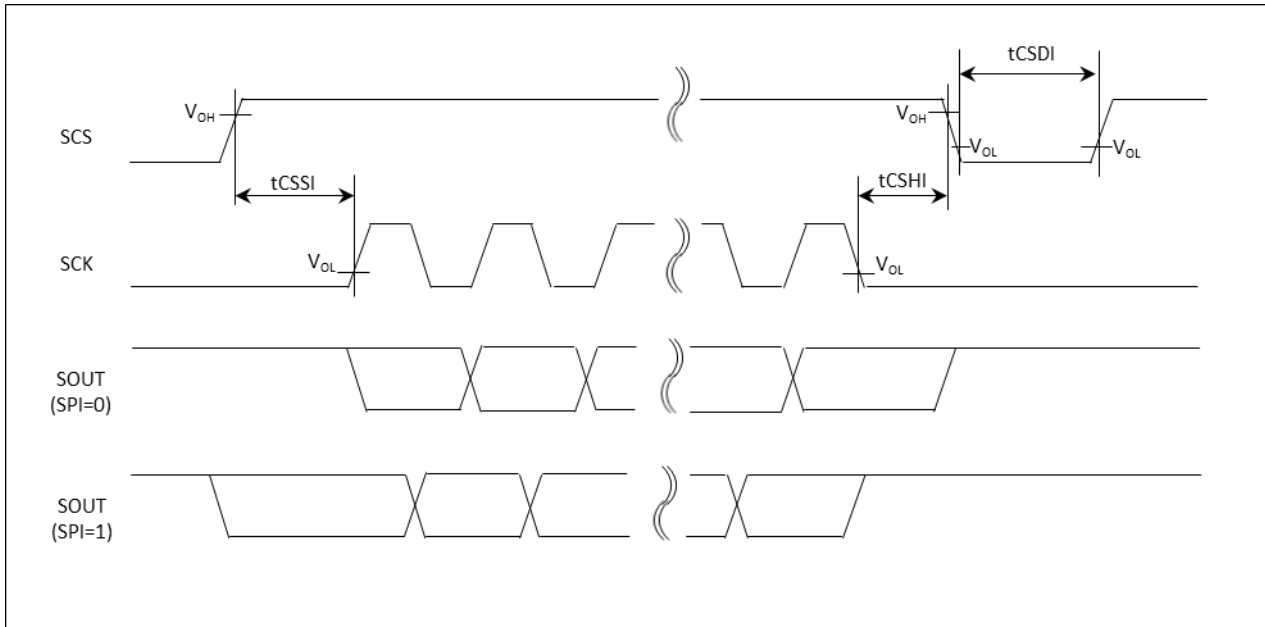
| Parameter                       | Symbol     | Conditions   | Value                |                | Unit | Remarks |
|---------------------------------|------------|--|----------------------|----------------|------|---------|
|                                 |            |  | Min                  | Max            |      |         |
| SCS ↑ → SCK ↑ setup time        | $t_{CSSI}$ | Master mode<br>( $C_L = 20\text{ pF}$<br>$I_{OL} = -5\text{ mA}$ ,<br>$I_{OH} = 5\text{ mA}$ )                   | $-20^{*1}$           | -              | ns   |         |
| SCK ↓ → SCS ↓ hold time         | $t_{CSHI}$ |  | $0^{*2}$             | -              | ns   |         |
| SCS deselect time               | $t_{CSDI}$ |  | $-20 + 5t_{cp}^{*3}$ | -              | ns   |         |
| SCK ↑ → SCS ↑ clock change time | $t_{SCC}$  | Round Function<br>Master mode<br>( $C_L = 20\text{ pF}$<br>$I_{OL} = -5\text{ mA}$ ,<br>$I_{OH} = 5\text{ mA}$ ) | $3t_{cp} + 0$        | $3t_{cp} + 20$ | ns   |         |

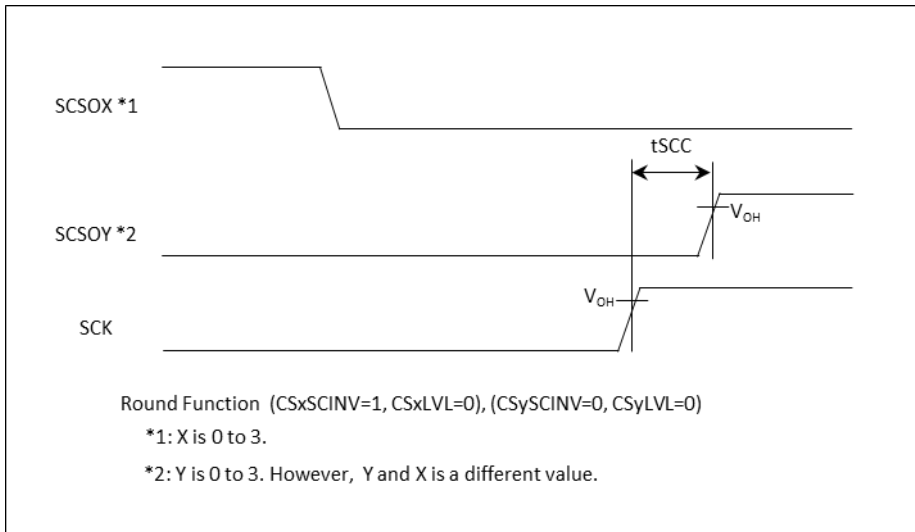
\*1) SCSTR1.CSSU=0.  $t_{CSSI}$  can be configured.

\*2) SCSTR0.CSHD=0.  $t_{CSHI}$  can be configured.

\*3) SCSTR3/2.CSDS=0.  $t_{CSDI}$  can be configured.

$t_{cp}$  is bus clock. Ch0-4 is CLK\_LCP0A. Ch8-12 is CLK\_LCP1A. Ch16-17 is CLK\_COMP.





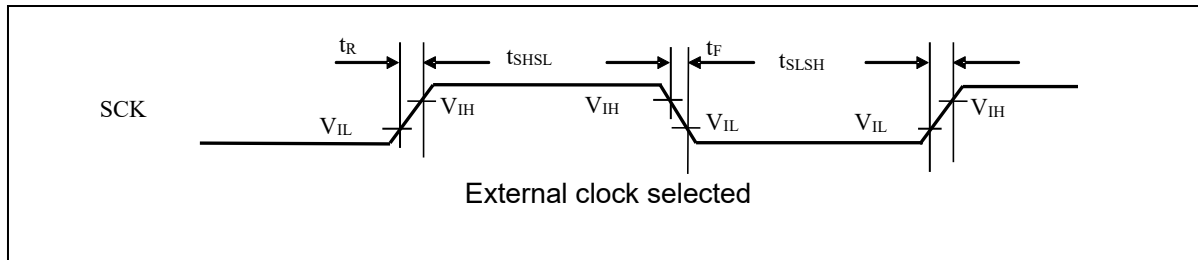
8.4.6.3 LIN Interface (v2.1) (LIN Communication Control Interface (v2.1)) Timing (SMR: MD2-0=0b011)

(1) External Clock Selected (BGR: EXT=1)

(Condition: See 8.2.Operation Assurance Condition)

| Parameter                    | Symbol            | Pin Name                                    | Conditions  | Value                                       |     | Unit | Remarks |
|------------------------------|-------------------|---|---|---|-----|------|---------|
|                              |                   |   |   | Min   | Max |      |         |
| Serial clock "L" pulse width | t <sub>SLSH</sub> | SCK0 to SCK4, SCK8 to SCK12                 | (C <sub>L</sub> = 50 pF, I <sub>OL</sub> =-2 mA, I <sub>OH</sub> =2 mA), (C <sub>L</sub> =20 pF, I <sub>OL</sub> =-1 mA, I <sub>OH</sub> =1 mA) | t <sub>CLK_LCPnA</sub> <sup>*1+1</sup><br>0 | -   | ns   |         |
|                              |                   | SCK16 to SCK17                              |   | t <sub>CLK_COMP</sub><br>+10                | -   | ns   |         |
| Serial clock "H" pulse width | t <sub>SHSL</sub> | SCK0 to SCK4, SCK8 to SCK12                 |   | t <sub>CLK_LCPnA</sub> <sup>*1+1</sup><br>0 | -   | ns   |         |
|                              |                   | SCK16 to SCK17                              |   | t <sub>CLK_COMP</sub><br>+10                | -   | ns   |         |
| SCK falling time             | t <sub>F</sub>    | SCK0 to SCK4, SCK8 to SCK12, SCK16 to SCK17 |   | -   | 5   | ns   |         |
| SCK rising time              | t <sub>R</sub>    | SCK0 to SCK4, SCK8 to SCK12, SCK16 to SCK17 |   | -   | 5   | ns   |         |

\*1: n=0: ch.0 to ch.4, n=1: ch.8 to ch.12



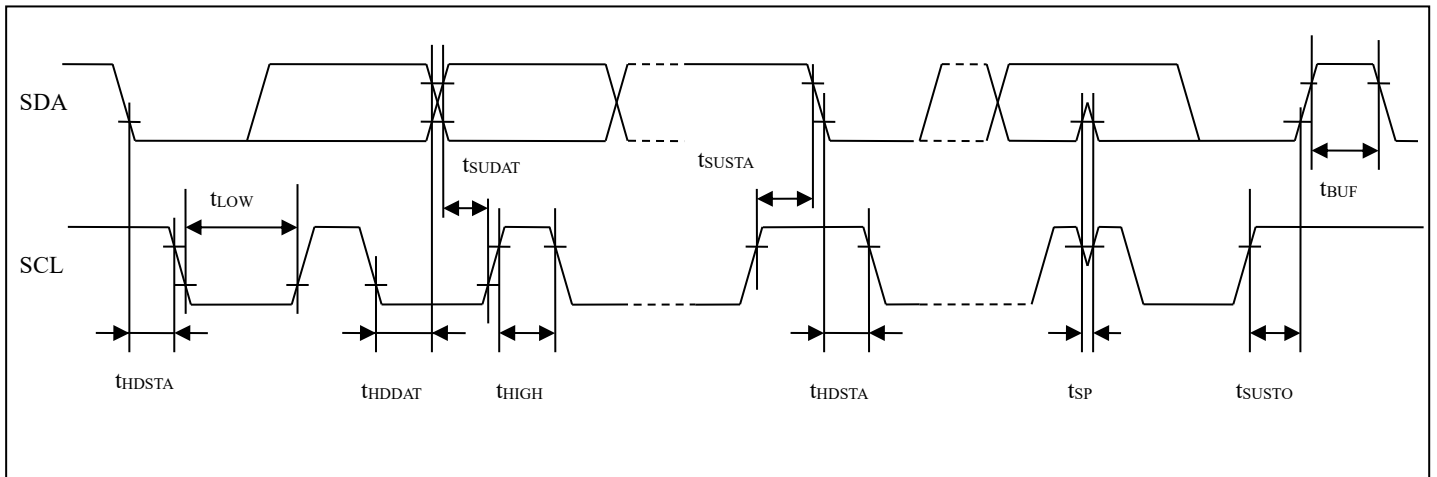
## 8.4.6.4 I<sup>2</sup>C Timing (SMR: MD2-0=0b100)

(Condition: See 8.2.Operation Assurance Condition)

| Parameter  | Symbol             | Pin Name   | Conditions  | Standard Mode          |                    | Fast Mode              |                   | Unit | Remarks |
|--|--------------------|--|---|------------------------|--------------------|------------------------|-------------------|------|---------|
|  |                    |  |   | Min                    | Max                | Min                    | Max               |      |         |
| SCL clock frequency  | f <sub>SCL</sub>   | SCL4, 10, 12, 16, and 17                             | (C <sub>L</sub> = 50 pF, I <sub>OL</sub> =-2 mA, I <sub>OH</sub> =2 mA), (C <sub>L</sub> =20 pF, I <sub>OL</sub> =-1 mA, I <sub>OH</sub> =1 mA) | 0                      | 100                | 0                      | 400               | kHz  |         |
| Repeat "start" condition hold time<br>SDA ↓ → SCL ↓          | t <sub>HDSTA</sub> | SDA4, 10, 12, 16, and 17<br>SCL4, 10, 12, 16, and 17 |   | 4.0                    | -                  | 0.6                    | -                 | μs   |         |
| Period of "L" for SCL clock                                  | t <sub>LOW</sub>   | SCL4, 10, 12, 16, and 17                             |   | 4.7                    | -                  | 1.3                    | -                 | μs   |         |
| Period of "H" for SCL clock                                  | t <sub>HIGH</sub>  | SCL4, 10, 12, 16, and 17                             |   | 4.0                    | -                  | 0.6                    | -                 | μs   |         |
| Repeat "start" condition setup time<br>SCL ↑ → SDA ↓         | t <sub>SUSTA</sub> | SDA4, 10, 12, 16, and 17<br>SCL4, 10, 12, 16, and 17 |   | 4.7                    | -                  | 0.6                    | -                 | μs   |         |
| Data hold time<br>SCL ↓ → SDA ↓ ↑                            | t <sub>HDDAT</sub> | SDA4, 10, 12, 16, and 17<br>SCL4, 10, 12, 16, and 17 |   | 0                      | 3.45 <sup>*1</sup> | 0                      | 0.9 <sup>*2</sup> | μs   |         |
| Data setup time<br>SDA ↓ ↑ → SCL ↑                           | t <sub>SUDAT</sub> | SDA4, 10, 12, 16, and 17<br>SCL4, 10, 12, 16, and 17 |   | 250                    | -                  | 100                    | -                 | ns   |         |
| "Stop" condition setup time<br>SCL ↑ → SDA ↑                 | t <sub>SUSTO</sub> | SDA4, 10, 12, 16, and 17<br>SCL4, 10, 12, 16 and 17  |   | 4.0                    | -                  | 0.6                    | -                 | μs   |         |
| Bus-free time between "stop" condition and "start" condition | t <sub>BUF</sub>   | -  |   | 4.7                    | -                  | 1.3                    | -                 | μs   |         |
| Noise filter   | t <sub>SP</sub>    | -  |   | 2t <sub>CLK_COMP</sub> | -                  | 2t <sub>CLK_COMP</sub> | -                 | ns   |         |

### Notes:

- \*1: The maximum t<sub>HDDAT</sub> only has to be met if the device does not extend the "L" width (t<sub>LOW</sub>) of the SCL signal.
- \*2: A fast mode I<sup>2</sup>C bus device can be used on a standard mode I<sup>2</sup>C bus system as long as the device satisfies the requirement of "t<sub>SUDAT</sub> ≥ 250 ns".
- SCL4, 10, 12 and SDA4, 10, 12 only support the standard mode.



8.4.7 Timer Input

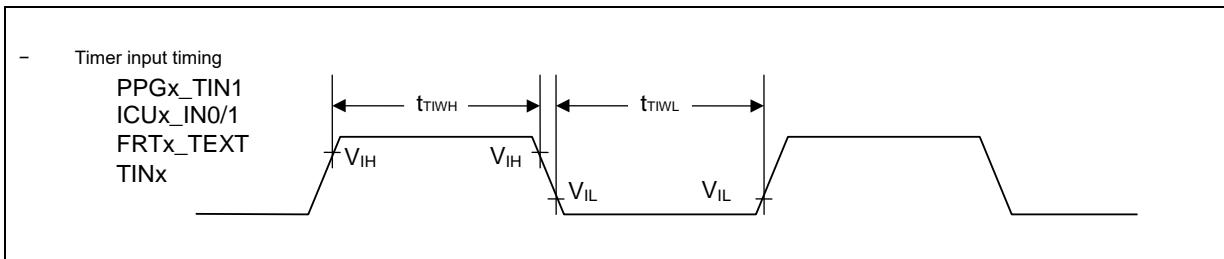
(Condition: See 8.2.Operation Assurance Condition)

| Parameter         | Symbol                   | Pin Name                                     | Conditions | Value                  |     | Unit | Remarks                            |
|-------------------|--------------------------|--|------------|------------------------|-----|------|------------------------------------|
|                   |                          |  |            | Min                    | Max |      |                                    |
| Input pulse width | $t_{TWH}$ ,<br>$t_{TWL}$ | PPG0_TIN1 to PPG11_TIN1                      | -          | $4t_{CLK\_LCPnA}^{*1}$ | -   | ns   | $4t_{CLK\_LCPnA}^{*1} \geq 100$ ns |
|                   |                          |  |            | 100                    |     |      | $4t_{CLK\_LCPnA}^{*1} < 100$ ns    |
|                   |                          | ICU0_IN0 to ICU11_IN0, ICU0_IN1 to ICU11_IN1 | -          | $4t_{CLK\_LCPnA}^{*2}$ | -   | ns   | $4t_{CLK\_LCPnA}^{*2} \geq 100$ ns |
|                   |                          |  |            | 100                    |     |      | $4t_{CLK\_LCPnA}^{*2} < 100$ ns    |
|                   |                          | FRT0_TEXT to FRT11_TEXT                      | -          | $4t_{CLK\_LCPnA}^{*2}$ | -   | ns   | $4t_{CLK\_LCPnA}^{*2} \geq 100$ ns |
|                   |                          |  |            | 100                    |     |      | $4t_{CLK\_LCPnA}^{*2} < 100$ ns    |
|                   |                          | TIN0 to TIN3, TIN16 to TIN19                 | -          | $4t_{CLK\_LCPnA}^{*3}$ | -   | ns   | $4t_{CLK\_LCPnA}^{*3} \geq 100$ ns |
|                   |                          |  |            | 100                    |     |      | $4t_{CLK\_LCPnA}^{*3} < 100$ ns    |
|                   |                          | TIN32 to TIN35                               | -          | $4t_{CLK\_LLPBM2}$     | -   | ns   | $4t_{CLK\_LLPBM2} \geq 100$ ns     |
|                   |                          |  |            | 100                    |     |      | $4t_{CLK\_LLPBM2} < 100$ ns        |
|                   |                          | TIN48 to TIN49                               | -          | $4t_{CLK\_COMP}$       | -   | ns   | $4t_{CLK\_COMP} \geq 100$ ns       |
|                   |                          |  |            | 100                    |     |      | $4t_{CLK\_COMP} < 100$ ns          |

\*1: n=0: ch.0 to ch.5, n=1: ch.6 to ch.11

\*2: n=0: ch.0 to ch.7, n=1: ch.8 to ch.11

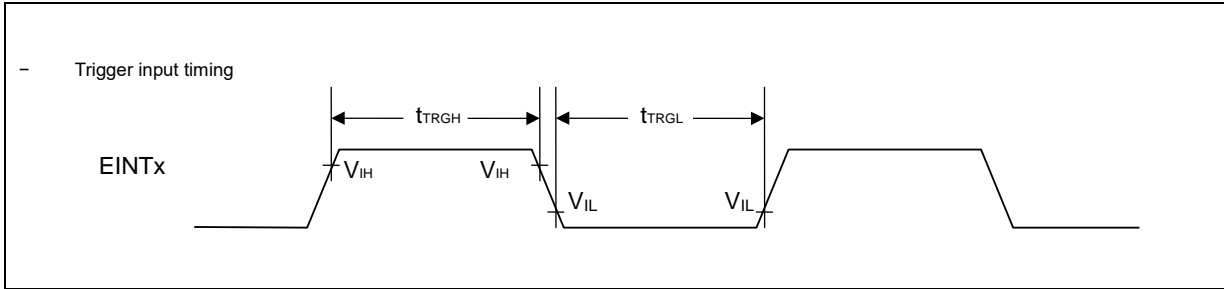
\*3: n=0: ch.0 to ch.3, n=1: ch.16 to ch.19



**8.4.8 Trigger Input**

(Condition: See 8.2.Operation Assurance Condition)

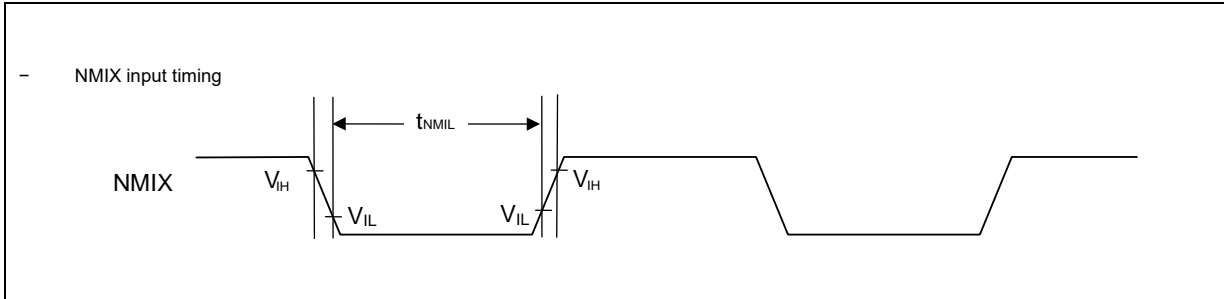
| Parameter         | Symbol                     | Pin Name        | Conditions | Value |     | Unit | Remarks |
|-------------------|----------------------------|-----------------|------------|-------|-----|------|---------|
|                   |                            |                 |            | Min   | Max |      |         |
| Input pulse width | $t_{TRGH}$ ,<br>$t_{TRGL}$ | EINT0 to EINT15 | -          | 100   | -   | ns   |         |



8.4.9 NMI Input

(Condition: See 8.2.Operation Assurance Condition)

| Parameter         | Symbol     | Pin Name | Conditions | Value |     | Unit | Remarks |
|-------------------|------------|----------|------------|-------|-----|------|---------|
|                   |            |          |            | Min   | Max |      |         |
| Input pulse width | $t_{NMIL}$ | NMIX     | -          | 300   | -   | ns   |         |



**8.4.10 Low-Voltage Detection**
**8.4.10.1 LVDL0**

 (Condition: See [8.2.Operation Assurance Condition](#))

| Parameter            | Pin Name | Conditions | Value |       |       | Unit | Remarks |
|----------------------|----------|------------|-------|-------|-------|------|---------|
|                      |          |            | Min   | Typ   | Max   |      |         |
| Detection Voltage    | -        | -          | 0.9   | 0.95  | 1.0   | V    | *1      |
| Release Voltage      | -        | -          | 0.925 | 1.025 | 1.125 | V    |         |
| Level Detection Time | -        | -          | -     | -     | 30    | μs   | *2      |

**Notes:**

- \*1: This LVD cannot be used to reliably generate a reset before voltage dips below minimum guaranteed MCU operation voltage, as these detection levels are below the minimum guaranteed MCU operation voltage.
- \*2: After the brown-out event where the voltage level dips below the detection threshold for less than this time, the detection may occur or be canceled.

**8.4.10.2 LVDH0**
**Note:**

- LVDH0 is only used to generate power-on reset. Refer to chapter Power-On Conditions for related parameters.

**8.4.10.3 LVDL1**

 (Condition: See [8.2.Operation Assurance Condition](#))

| Parameter         | Pin Name | Conditions          | Value |       |       | Unit | Guaranteed MCU Operation Range | Remarks |
|-------------------|----------|---------------------|-------|-------|-------|------|--------------------------------|---------|
|                   |          |                     | Min   | Typ   | Max   |      |                                |         |
| Detection Voltage | -        | LVDL1V=10 (Default) | 0.92  | 0.97  | 1.02  | V    | No                             | *1      |
| Release Voltage   | -        |                     | 0.945 | 1.045 | 1.145 | V    |                                |         |
| Detection Voltage | -        | LVDL1V=11           | 1.02  | 1.07  | 1.12  | V    |                                |         |
| Release Voltage   | -        |                     | 1.095 | 1.145 | 1.195 | V    |                                |         |
| Detection Time    | -        | -                   | -     | -     | 30    | μs   | -                              | *2      |

**Notes:**

- \*1: This LVD cannot be used to reliably generate a reset before voltage dips below minimum guaranteed MCU operation voltage, as these detection levels are below the minimum guaranteed MCU operation voltage.
- \*2: After the brown-out event where the voltage level dips below the detection threshold for less than this time, the detection may occur or be canceled.

**8.4.10.4 LVDH1**

(Condition: See 8.2.Operation Assurance Condition)

| Parameter                       | Pin Name         | Conditions            | Value |      |      | Unit | Guaranteed MCU Operation Range | Remarks |
|---------------------------------|------------------|-----------------------|-------|------|------|------|--------------------------------|---------|
|                                 |                  |                       | Min   | Typ  | Max  |      |                                |         |
| Supply Voltage Range            | V <sub>CC5</sub> | -                     | 4.5   | -    | 5.5  | V    |                                | -       |
| Detection Voltage               | V <sub>CC5</sub> | LVDH1V=0000           | 2.20  | 2.35 | 2.50 | V    | No                             | *1      |
| Release Voltage                 | V <sub>CC5</sub> |                       | 2.30  | 2.45 | 2.60 | V    |                                |         |
| Detection Voltage               | V <sub>CC5</sub> | LVDH1V=0001           | 2.60  | 2.75 | 2.90 | V    |                                |         |
| Release Voltage                 | V <sub>CC5</sub> |                       | 2.70  | 2.85 | 3.00 | V    |                                |         |
| Detection Voltage               | V <sub>CC5</sub> | LVDH1V=0010           | 2.70  | 2.85 | 3.00 | V    |                                |         |
| Release Voltage                 | V <sub>CC5</sub> |                       | 2.80  | 2.95 | 3.10 | V    |                                |         |
| Detection Voltage               | V <sub>CC5</sub> | LVDH1V=0011           | 3.40  | 3.60 | 3.80 | V    |                                |         |
| Release Voltage                 | V <sub>CC5</sub> |                       | 3.50  | 3.70 | 3.90 | V    |                                |         |
| Detection Voltage               | V <sub>CC5</sub> | LVDH1V=0100           | 3.60  | 3.80 | 4.00 | V    |                                |         |
| Release Voltage                 | V <sub>CC5</sub> |                       | 3.70  | 3.90 | 4.10 | V    |                                |         |
| Detection Voltage               | V <sub>CC5</sub> | LVDH1V=0101           | 3.80  | 4.00 | 4.20 | V    |                                |         |
| Release Voltage                 | V <sub>CC5</sub> |                       | 3.90  | 4.10 | 4.30 | V    |                                |         |
| Detection Voltage               | V <sub>CC5</sub> | LVDH1V=0110 (Default) | 4.00  | 4.20 | 4.40 | V    |                                |         |
| Release Voltage                 | V <sub>CC5</sub> |                       | 4.10  | 4.30 | 4.50 | V    |                                |         |
| Detection Voltage               | V <sub>CC5</sub> | LVDH1V=0111           | 4.20  | 4.40 | 4.60 | V    |                                |         |
| Release Voltage                 | V <sub>CC5</sub> |                       | 4.30  | 4.50 | 4.70 | V    |                                |         |
| Detection Voltage               | V <sub>CC5</sub> | LVDH1V=Other          | 4.40  | 4.65 | 4.90 | V    |                                |         |
| Release Voltage                 | V <sub>CC5</sub> |                       | 4.50  | 4.75 | 5.00 | V    |                                |         |
| Detection Time                  | -                | -                     | -     | -    | 30   | μs   |                                | *2      |
| Power supply voltage regulation | V <sub>CC5</sub> | -                     | -2    | -    | 2    | V/ms |                                | *3      |

**Notes:**

- \*1: This LVD cannot be used to reliably generate a reset before voltage dips below minimum guaranteed MCU operation voltage, as these detection levels are below the minimum guaranteed MCU operation voltage (3.5 V).
- \*2: After the brown-out event where the voltage level dips below the detection threshold for less than this time, the detection may occur or be canceled.
- \*3: Please suppress the change of the power supply within the range of the power-supply voltage regulation to do a low-voltage detection by detecting voltage.

- Following power supply voltage stability conditions need to be ensured. Moreover, the EXVRSTCNT bit in the SYSC0\_SPECFGR register has to be "0" for Revision other than M, P.

For Revision M, P

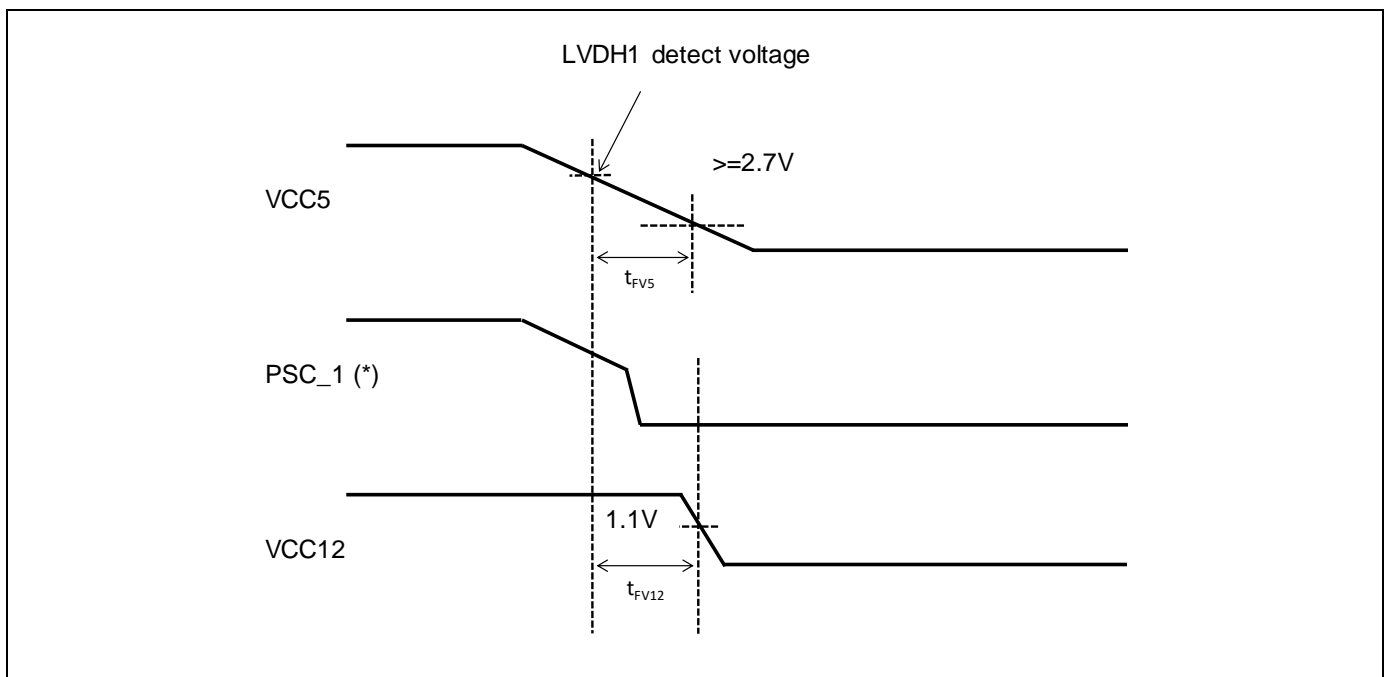
(Condition: See 8.2.Operation Assurance Condition)

| Parameter  | Symbol     | Pin Name | Conditions | Value |     | Unit          | Remarks                   |
|--|------------|----------|------------|-------|-----|---------------|---------------------------|
|  |            |          |            | Min   | Max |               |                           |
| VCC5 stability time after LVDH1 low voltage detection  | $t_{FV5}$  | VCC5     | -          | 55    | -   | $\mu\text{s}$ | $VCC5 \geq 2.7\text{ V}$  |
| VCC12 stability time after LVDH1 low voltage detection | $t_{FV12}$ | VCC12    | -          | 55    | -   | $\mu\text{s}$ | $VCC12 \geq 1.1\text{ V}$ |

For except Revision M, P

(Condition: See 8.2.Operation Assurance Condition)

| Parameter  | Symbol     | Pin Name | Conditions | Value |     | Unit          | Remarks                   |
|--|------------|----------|------------|-------|-----|---------------|---------------------------|
|  |            |          |            | Min   | Max |               |                           |
| VCC12 stability time after LVDH1 low voltage detection | $t_{FV12}$ | VCC12    | -          | 588   | -   | $\mu\text{s}$ | $VCC12 \geq 1.1\text{ V}$ |



\*: The behavior of PSC\_1 depends on the EXVRSTCNT bit regardless of revision. If the bit is set to "1", PSC\_1 keeps 'H' level.

**8.4.10.5 LVDL2**

(Condition: See 8.2.Operation Assurance Condition)

| Parameter            | Pin Name          | Conditions          | Value |       |       | Unit | Guaranteed MCU Operation Range | Remarks |
|----------------------|-------------------|---------------------|-------|-------|-------|------|--------------------------------|---------|
|                      |                   |                     | Min   | Typ   | Max   |      |                                |         |
| Supply Voltage Range | V <sub>CC12</sub> | -                   | 1.1   | -     | 1.3   | V    | -                              | -       |
| Detection Voltage    | V <sub>CC12</sub> | LVDL2V=00 (Default) | 0.72  | 0.77  | 0.82  | V    | No                             | *1      |
| Release Voltage      | V <sub>CC12</sub> |                     | 0.795 | 0.845 | 0.895 | V    |                                |         |
| Detection Voltage    | V <sub>CC12</sub> | LVDL2V=01           | 0.82  | 0.87  | 0.92  | V    |                                |         |
| Release Voltage      | V <sub>CC12</sub> |                     | 0.895 | 0.945 | 0.995 | V    |                                |         |
| Detection Voltage    | V <sub>CC12</sub> | LVDL2V=10           | 0.92  | 0.97  | 1.02  | V    |                                |         |
| Release Voltage      | V <sub>CC12</sub> |                     | 0.995 | 1.045 | 1.095 | V    |                                |         |
| Detection Voltage    | V <sub>CC12</sub> | LVDL2V=11           | 1.02  | 1.07  | 1.12  | V    |                                |         |
| Release Voltage      | V <sub>CC12</sub> |                     | 1.095 | 1.145 | 1.195 | V    |                                |         |
| Detection Time       | -                 | -                   | -     | -     | 30    | μs   |                                |         |

**Notes:**

- \*1: This LVD cannot be used to reliably generate a reset before voltage dips below minimum guaranteed MCU operation voltage, as these detection levels are below the minimum guaranteed MCU operation voltage (1.1 V).
- \*2: After the brown-out event where the voltage level dips below the detection threshold for less than this time, the detection may occur or be canceled.

## 8.4.10.6 LVDH2

(Condition: See 8.2.Operation Assurance Condition)

| Parameter                       | Pin Name         | Conditions            | Value |      |     | Unit | Guaranteed MCU Operation Range | Remarks |
|---------------------------------|------------------|-----------------------|-------|------|-----|------|--------------------------------|---------|
|                                 |                  |                       | Min   | Typ  | Max |      |                                |         |
| Supply Voltage Range            | V <sub>CC3</sub> | -                     | 3.0   | -    | 3.6 | V    | -                              | -       |
| Detection Voltage               | V <sub>CC3</sub> | LVDH2V=0000 (Default) | 2.2   | 2.35 | 2.5 | V    | No                             | *1      |
| Release Voltage                 | V <sub>CC3</sub> |                       | 2.3   | 2.45 | 2.6 | V    |                                |         |
| Detection Voltage               | V <sub>CC3</sub> | LVDH2V=0001           | 2.6   | 2.75 | 2.9 | V    |                                |         |
| Release Voltage                 | V <sub>CC3</sub> |                       | 2.7   | 2.85 | 3.0 | V    |                                |         |
| Detection Voltage               | V <sub>CC3</sub> | LVDH2V=0010           | 2.7   | 2.85 | 3.0 | V    | Yes                            | -       |
| Release Voltage                 | V <sub>CC3</sub> |                       | 2.8   | 2.95 | 3.1 | V    |                                |         |
| Detection Time                  | -                | -                     | -     | -    | 30  | μs   | -                              | *2      |
| Power supply voltage regulation | V <sub>CC5</sub> | -                     | -2    | -    | 2   | V/ms | -                              | *3      |

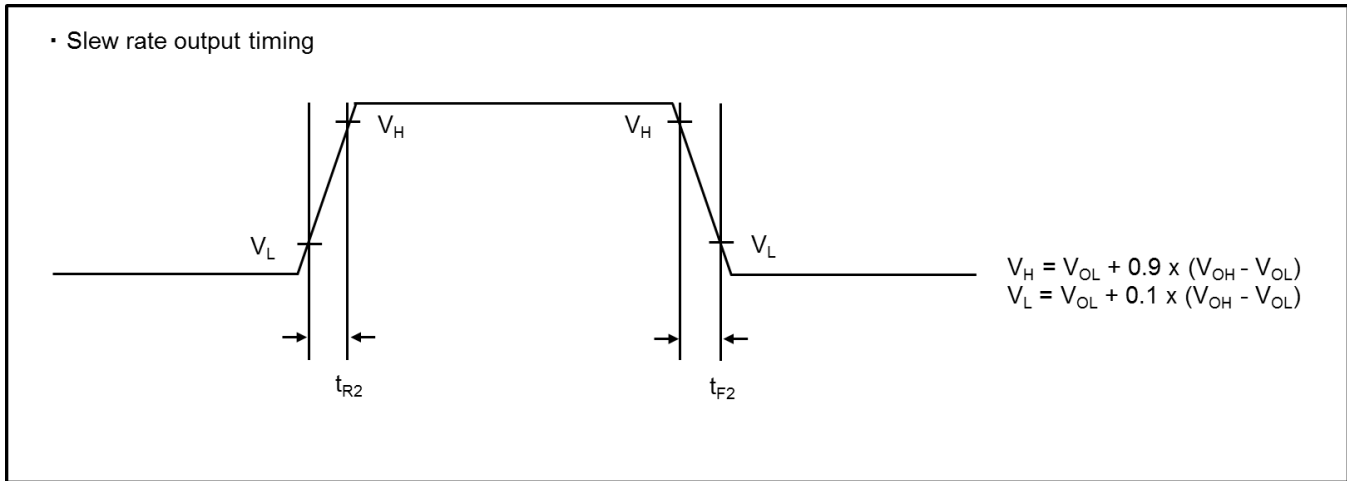
**Notes:**

- \*1: These LVD settings cannot be used to reliably generate a reset before voltage dips below minimum guaranteed MCU operation voltage, as these detection levels are below the minimum guaranteed MCU operation voltage (2.7 V).
- \*2: After the brown-out event where the voltage level dips below the detection threshold for less than this time, the detection may occur or be canceled.
- \*3: Suppress the change of the power supply within the range of the power-supply voltage regulation to do a low-voltage detection by detecting voltage.

**8.4.11 High Current Output Slew Rate**

(Condition: See 8.2.Operation Assurance Condition)

| Parameter               | Symbol           | Pin Name                 | Conditions | Value |     |     | Unit | Remarks                |
|-------------------------|------------------|--------------------------|------------|-------|-----|-----|------|------------------------|
|                         |                  |                          |            | Min   | Typ | Max |      |                        |
| Output rise / fall time | $t_{R2}, t_{F2}$ | P3_21 to 31, P4_00 to 12 | -          | 15    | -   | 100 | ns   | Load capacitance 85 pF |



8.4.12 Display Controller

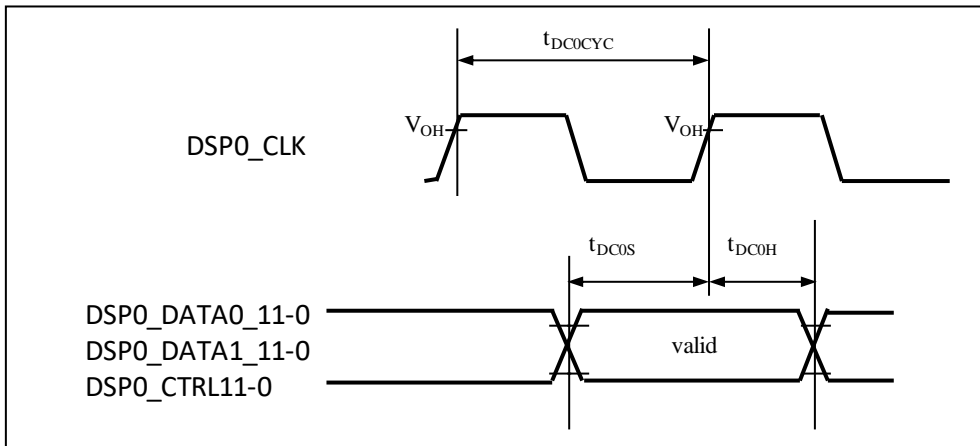
8.4.12.1 Display Controller0 Timing (TTL Mode)

(Condition: See 8.2.Operation Assurance Condition)

| Parameter                            | Symbol       | Pin Name   | Conditions  | Value              |     | Unit | Remarks |  |
|--------------------------------------|--------------|--|---|--------------------|-----|------|---------|--|
|                                      |              |  |   | Min                | Max |      |         |  |
| Clock Cycle                          | $t_{DC0CYC}$ | DSP0_CLK   |   | 15.625             | -   | ns   | *1      |  |
|                                      |              |  |   | 20                 | -   | ns   | *2      |  |
| Data/Control output to DSP0_CLK time | $t_{DC0S}$   | DSP0_DATA0_11-0<br>DSP0_DATA1_11-0<br>DSP0_CTRL4-0 | $(C_L = 20\text{ pF}, I_{OL} = -10\text{ mA}, I_{OH} = 10\text{ mA})$ | $t_{DC0CYC} - 7.3$ | -   | ns   | *3      |  |
|                                      |              |  |   | $t_{DC0CYC} - 5.6$ |     |      | *4      |  |
|                                      |              |  |   | $t_{DC0CYC} - 6.4$ |     |      | *5      |  |
|                                      |              |  |   | $t_{DC0CYC} - 5.0$ |     |      | *6      |  |
| DSP0_CLK to Data/Control valid time  | $t_{DC0H}$   | DSP0_CTRL4-0                                       |   | 0.8                | -   | ns   | *3      |  |
|                                      |              |  |   | -1.3               |     |      | *4      |  |
|                                      |              |  |   | 0.6                |     |      | *5      |  |
|                                      |              |  |   | -5.1               |     |      | *6      |  |
| Data/Control output to DSP0_CLK time | $t_{DC0S}$   | DSP0_CTRL11-0                                      | $(C_L = 20\text{ pF}, I_{OL} = -5\text{ mA}, I_{OH} = 5\text{ mA})$   | $t_{DC0CYC} - 8.7$ | -   | ns   | *3      |  |
|                                      |              |  |   | $t_{DC0CYC} - 8.4$ |     |      | *4      |  |
|                                      |              |  |   | $t_{DC0CYC} - 8.2$ |     |      | *5      |  |
|                                      |              |  |   | $t_{DC0CYC} - 5.0$ |     |      | *6      |  |
| DSP0_CLK to Data/Control valid time  | $t_{DC0H}$   | DSP0_CTRL11-0                                      |   | 0.8                | -   | ns   | *3      |  |
|                                      |              |  |   | -1.5               |     |      | *4      |  |
|                                      |              |  |   | 0.6                |     |      | *5      |  |
|                                      |              |  |   | -5.1               |     |      | *6      |  |

Notes:

- For \*1, when used with DSP0\_DATA\* and DSP0\_CTRL4-0 in VCC3 area.
- For \*2, when used with DSP0\_CTRL11-0 in VCC53 area.
- For \*3, it is targeted by the product series with function digit 3 to 9 and revision digit F.
- For \*4, it is targeted by the product series with function digit 3 to 9 and revision digit M, P.
- For \*5, it is targeted by the product series with function digit K to N.
- For \*6, it is targeted by the product series with function digit B.
- Values valid for unshifted display clock ( $dsp\_ClockInvert=0, dsp\_ClockShift=0$ ).
- The clock output delay can be adjusted. See Chapter "Graphic Subsystem" of TRM for details.



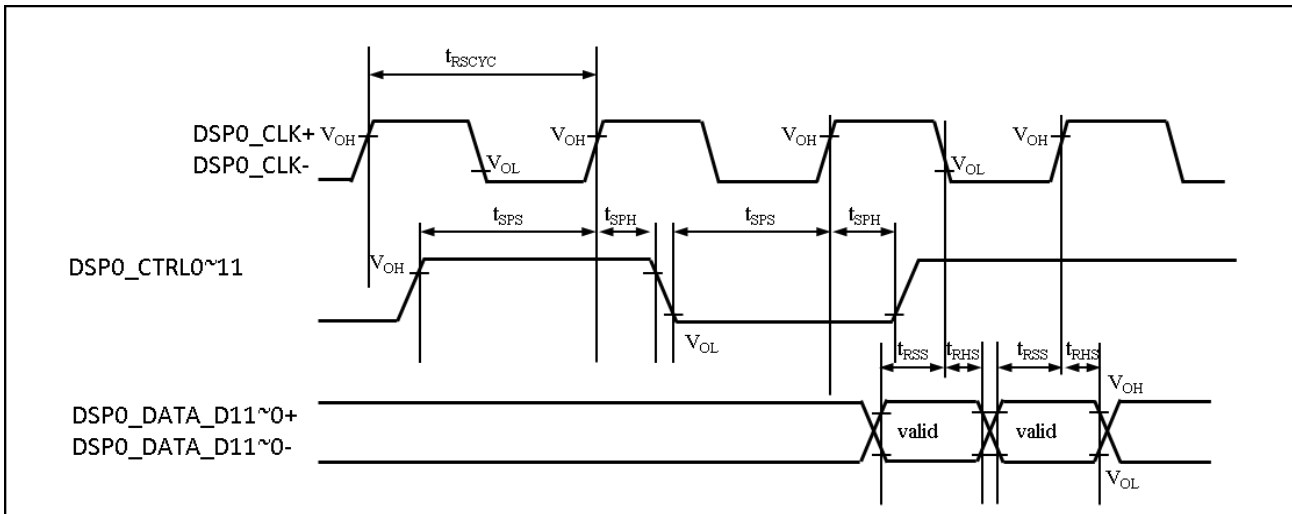
8.4.12.2 Display Controller0 Timing (RSDS)

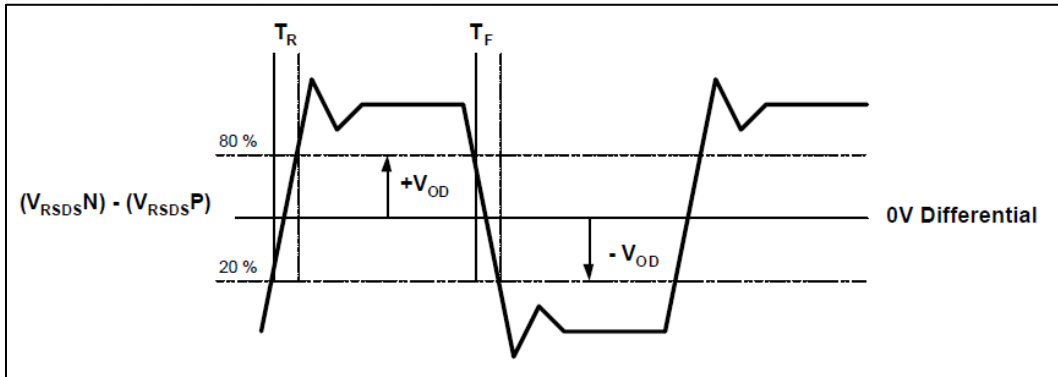
(Condition: See 8.2.Operation Assurance Condition)

| Parameter                       | Symbol      | Pin Name                             | Conditions                              | Value               |     | Unit | Remarks |
|---------------------------------|-------------|--------------------------------------|---|---------------------|-----|------|---------|
|                                 |             |                                      |   | Min                 | Max |      |         |
| Clock Cycle                     | $t_{RSCYC}$ | DSP0_CLK+<br>DSP0_CLK-               | (CL = 20 pF,<br>IOL=-4 mA,<br>IOH=4 mA) | 15.625              | -   | ns   |         |
| Data output to DSP0_CLK time    | $t_{RSS}$   | DSP0_DATA_D11~0+<br>DSP0_DATA_D11~0- |   | $t_{RSCYC}/2 - 5.0$ | -   | ns   | *1      |
|                                 |             |                                      |   | $t_{RSCYC}/2 - 5.3$ |     |      | *2      |
|                                 |             |                                      |   | $t_{RSCYC}/2 - 5.0$ |     |      | *3      |
|                                 |             |                                      |   | $t_{RSCYC}/2 - 6.1$ |     |      | *4      |
| DSP0_CLK to Data valid time     | $t_{RSH}$   | -                                    |   | -0.1                | -   | ns   | *1      |
|                                 |             |                                      |   | -0.1                |     |      | *2      |
|                                 |             |                                      |   | -0.1                |     |      | *3      |
|                                 |             |                                      |   | 0.5                 |     |      | *4      |
| Control output to DSP0_CLK time | $t_{SPS}$   | DSP0_CTRL11~0                        |   | $t_{RSCYC} - 9.1$   | -   | ns   | *1      |
|                                 |             |                                      |   | $t_{RSCYC} - 10.1$  |     |      | *2      |
|                                 |             |                                      |   | $t_{RSCYC} - 9.0$   |     |      | *3      |
|                                 |             |                                      |   | $t_{RSCYC} - 11.4$  |     |      | *4      |
| DSP0_CLK to Control valid time  | $t_{SPH}$   | -                                    |   | 1.1                 | -   | ns   | *1      |
|                                 |             |                                      |   | 1                   |     |      | *2      |
|                                 |             |                                      |   | 1                   |     |      | *3      |
|                                 |             |                                      | 2.1                                     | *4                  |     |      |         |

Notes:

- For \*1, it is targeted by the product series with function digit 3 to 9 and revision digit F.
- For \*2, it is targeted by the product series with function digit 3 to 9 and revision digit M, P.
- For \*3, it is targeted by the product series with function digit K to N.
- For \*4, it is targeted by the product series with function digit B.
- Values valid for unshifted display clock (dsp\_ClockInvert=0, dsp\_ClockShift=0).
- The clock output delay can be adjusted. See the "Graphic Subsystem" chapter in the TRM for details.





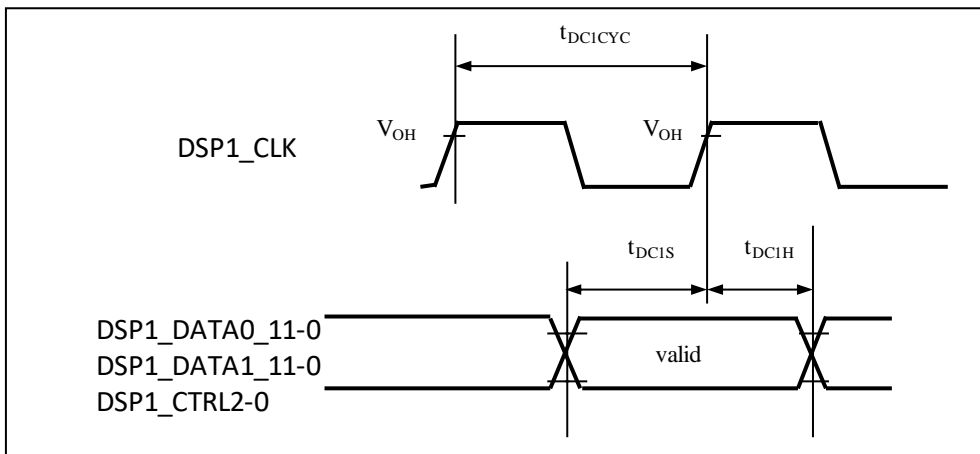
8.4.12.3 Display Controller1 Timing

(Condition: See 8.2.Operation Assurance Condition)

| Parameter                            | Symbol       | Pin Name   | Conditions                               | Value              |     | Unit | Remarks |
|--------------------------------------|--------------|--|--|--------------------|-----|------|---------|
|                                      |              |  |  | Min                | Max |      |         |
| Clock Cycle                          | $t_{DC1CYC}$ | DSP1_CLK   | (CL = 20 pF,<br>IOL=-5 mA,<br>IOH=5 mA), | 20.0               | -   | ns   |         |
| Data/Control output to DSP1_CLK time | $t_{DC1S}$   | DSP1_DATA0_11-0<br>DSP1_DATA1_11-0<br>DSP1_CTRL2-0 |  | $t_{DC1CYC} - 4.3$ | -   | ns   | *1      |
|                                      |              |  |  | $t_{DC1CYC} - 4.2$ |     |      | *2      |
|                                      |              |  |  | $t_{DC1CYC} - 4.1$ |     |      | *3      |
| DSP1_CLK to Data/Control valid time  | $t_{DC1H}$   | DSP1_DATA0_11-0<br>DSP1_DATA1_11-0<br>DSP1_CTRL2-0 |  | -4.7               | -   | ns   | *1      |
|                                      |              |  |  | -2.4               |     |      | *2      |
|                                      |              |  | -2.3                                     | *3                 |     |      |         |

Notes:

- For \*1, it is targeted by the product series with function digit 3 to 9 and revision digit F.
- For \*2, it is targeted by the product series with function digit 3 to 9 and revision digit M, P.
- For \*3, it is targeted by the product series with function digit K to N.
- Values valid for unshifted display clock (dsp\_ClockInvert=0, dsp\_ClockShift=0).
- The clock output delay can be adjusted. See the “Graphic Subsystem” chapter in the TRM for details.

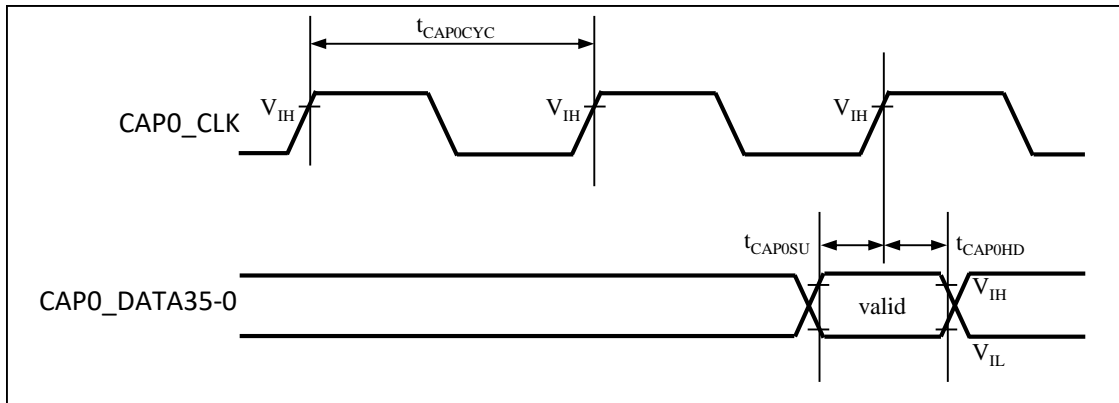


8.4.13 Video Capture

8.4.13.1 Video Capture Timing

(Condition: See 8.2.Operation Assurance Condition)

| Parameter               | Symbol        | Pin Name      | Conditions | Value |     | Unit | Remarks |
|-------------------------|---------------|---------------|------------|-------|-----|------|---------|
|                         |               |               |            | Min   | Max |      |         |
| Clock Cycle             | $t_{CAP0CYC}$ | CAP0_CLK      | -          | 12.5  | -   | ns   |         |
| Capture data setup time | $t_{CAP0SU}$  | CAP0_DATA35~0 |            | 4.0   | -   | ns   |         |
| Capture data hold time  | $t_{CAP0HD}$  | CAP0_DATA35~0 |            | 1.0   | -   | ns   |         |



**8.4.14 FPD-Link (LVDS)**

8.4.14.1 For Revision M, P

(See Figure 2-1: Option and Part Number for S6J320C.)

(Condition: See 8.2.Operation Assurance Condition)

| Parameter                            | Symbol                | Conditions                           | Value               |           |                     | Unit | Remarks                    |
|--------------------------------------|-----------------------|--------------------------------------|---------------------|-----------|---------------------|------|----------------------------|
|                                      |                       |                                      | Min                 | Typ       | Max                 |      |                            |
| Output clock frequency               | f                     | -                                    | 5                   | -         | 50                  | MHz  |                            |
| Differential output voltage          | V <sub>OD</sub>       | R <sub>L</sub> = 100 Ω               | 210                 | 300       | 390                 | mV   | One of three is selectable |
| Variation of V <sub>OD</sub>         | delta V <sub>OD</sub> |                                      | 250                 | 350       | 450                 | mV   |                            |
| Common mode voltage                  | V <sub>CM</sub>       |                                      | 295                 | 400       | 505                 | mV   |                            |
| Variation of V <sub>OD</sub>         | delta V <sub>OD</sub> | C <sub>L</sub> = 5 pF (differential) | -                   | -         | 25                  | mV   |                            |
| Common mode voltage                  | V <sub>CM</sub>       |                                      | 1.075               | 1.200     | 1.325               | V    | One of two is selectable   |
| Variation of V <sub>CM</sub>         | delta V <sub>CM</sub> |                                      | 1.125               | 1.250     | 1.375               | V    |                            |
| Cycle time of TXCLKP/M               | T <sub>CIP</sub>      | -                                    | 20                  | T         | 200                 | ns   | Equals 1/f                 |
| Duty of TXCLKP/M                     | T <sub>CDT</sub>      | -                                    | -                   | 4 / 7 x T | -                   | ns   |                            |
| Internal PLL lockup time             | T <sub>PLL</sub>      | -                                    | -                   | -         | 10                  | ms   |                            |
| Cycle to cycle jitter                | T <sub>C2C</sub>      | -                                    | -                   | -         | 0.11 x T / 7        | ns   |                            |
| Channel to Channel skew of TXOUTxP/M | T <sub>CSK</sub>      | -                                    | -                   | -         | 200                 | ps   |                            |
| Skew of TXOUTxP and TXOUTxM          | T <sub>DSK</sub>      | -                                    | -                   | -         | 50                  | ps   |                            |
| Output pulse position for bit 0      | T <sub>0</sub>        | f = 50 MHz                           | -0.235              | 0         | +0.235              | ns   |                            |
| Output pulse position for bit 1      | T <sub>1</sub>        |                                      | 1 / 7 x T<br>-0.235 | 1 / 7 x T | 1 / 7 x T<br>+0.235 | ns   |                            |
| Output pulse position for bit 2      | T <sub>2</sub>        |                                      | 2 / 7 x T<br>-0.235 | 2 / 7 x T | 2 / 7 x T<br>+0.235 | ns   |                            |
| Output pulse position for bit 3      | T <sub>3</sub>        |                                      | 3 / 7 x T<br>-0.235 | 3 / 7 x T | 3 / 7 x T<br>+0.235 | ns   |                            |
| Output pulse position for bit 4      | T <sub>4</sub>        |                                      | 4 / 7 x T<br>-0.235 | 4 / 7 x T | 4 / 7 x T<br>+0.235 | ns   |                            |
| Output pulse position for bit 5      | T <sub>5</sub>        |                                      | 5 / 7 x T<br>-0.235 | 5 / 7 x T | 5 / 7 x T<br>+0.235 | ns   |                            |
| Output pulse position for bit 6      | T <sub>6</sub>        |                                      | 6 / 7 x T<br>-0.235 | 6 / 7 x T | 6 / 7 x T<br>+0.235 | ns   |                            |
| Output pulse position for bit 0      | T <sub>0</sub>        | f = 40 MHz                           | -0.25               | 0         | +0.25               | ns   |                            |
| Output pulse position for bit 1      | T <sub>1</sub>        |                                      | 1 / 7 x T<br>-0.25  | 1 / 7 x T | 1 / 7 x T<br>+0.25  | ns   |                            |
| Output pulse position for bit 2      | T <sub>2</sub>        |                                      | 2 / 7 x T<br>-0.25  | 2 / 7 x T | 2 / 7 x T<br>+0.25  | ns   |                            |
| Output pulse position for bit 3      | T <sub>3</sub>        |                                      | 3 / 7 x T<br>-0.25  | 3 / 7 x T | 3 / 7 x T<br>+0.25  | ns   |                            |
| Output pulse position for bit 4      | T <sub>4</sub>        |                                      | 4 / 7 x T<br>-0.25  | 4 / 7 x T | 4 / 7 x T<br>+0.25  | ns   |                            |
| Output pulse position for bit 5      | T <sub>5</sub>        |                                      | 5 / 7 x T<br>-0.25  | 5 / 7 x T | 5 / 7 x T<br>+0.25  | ns   |                            |
| Output pulse position for bit 6      | T <sub>6</sub>        |                                      | 6 / 7 x T<br>-0.25  | 6 / 7 x T | 6 / 7 x T<br>+0.25  | ns   |                            |

| Parameter                       | Symbol         | Conditions | Value                 |                |                       | Unit | Remarks |
|---------------------------------|----------------|------------|-----------------------|----------------|-----------------------|------|---------|
|                                 |                |            | Min                   | Typ            | Max                   |      |         |
| Output pulse position for bit 0 | T <sub>0</sub> | f = 25 MHz | -0.45                 | 0              | +0.45                 | ns   |         |
| Output pulse position for bit 1 | T <sub>1</sub> |            | $1/7 \times T - 0.45$ | $1/7 \times T$ | $1/7 \times T + 0.45$ | ns   |         |
| Output pulse position for bit 2 | T <sub>2</sub> |            | $2/7 \times T - 0.45$ | $2/7 \times T$ | $2/7 \times T + 0.45$ | ns   |         |
| Output pulse position for bit 3 | T <sub>3</sub> |            | $3/7 \times T - 0.45$ | $3/7 \times T$ | $3/7 \times T + 0.45$ | ns   |         |
| Output pulse position for bit 4 | T <sub>4</sub> |            | $4/7 \times T - 0.45$ | $4/7 \times T$ | $4/7 \times T + 0.45$ | ns   |         |
| Output pulse position for bit 5 | T <sub>5</sub> |            | $5/7 \times T - 0.45$ | $5/7 \times T$ | $5/7 \times T + 0.45$ | ns   |         |
| Output pulse position for bit 6 | T <sub>6</sub> |            | $6/7 \times T - 0.45$ | $6/7 \times T$ | $6/7 \times T + 0.45$ | ns   |         |
| Output pulse position for bit 0 | T <sub>0</sub> | f = 5 MHz  | -2.00                 | 0              | +2.00                 | ns   |         |
| Output pulse position for bit 1 | T <sub>1</sub> |            | $1/7 \times T - 2.00$ | $1/7 \times T$ | $1/7 \times T + 2.00$ | ns   |         |
| Output pulse position for bit 2 | T <sub>2</sub> |            | $2/7 \times T - 2.00$ | $2/7 \times T$ | $2/7 \times T + 2.00$ | ns   |         |
| Output pulse position for bit 3 | T <sub>3</sub> |            | $3/7 \times T - 2.00$ | $3/7 \times T$ | $3/7 \times T + 2.00$ | ns   |         |
| Output pulse position for bit 4 | T <sub>4</sub> |            | $4/7 \times T - 2.00$ | $4/7 \times T$ | $4/7 \times T + 2.00$ | ns   |         |
| Output pulse position for bit 5 | T <sub>5</sub> |            | $5/7 \times T - 2.00$ | $5/7 \times T$ | $5/7 \times T + 2.00$ | ns   |         |
| Output pulse position for bit 6 | T <sub>6</sub> |            | $6/7 \times T - 2.00$ | $6/7 \times T$ | $6/7 \times T + 2.00$ | ns   |         |

**Notes:**

- All the corresponding ports of products which don't support FPD-Link should be connected to GND. AVCC3\_LVDS\_PLL, AVSS3\_LVDS\_PLL, VCC3\_LVDS\_Tx, VSS3\_LVDS\_Tx, TxDOUn+/-, TxCLK+/-.
- Channel to Channel skew of TXOUTxP/M is included in output pulse position.

**8.4.14.2 For Revision F**

(See Figure 2-1: Option and Part Number for S6J320C.)

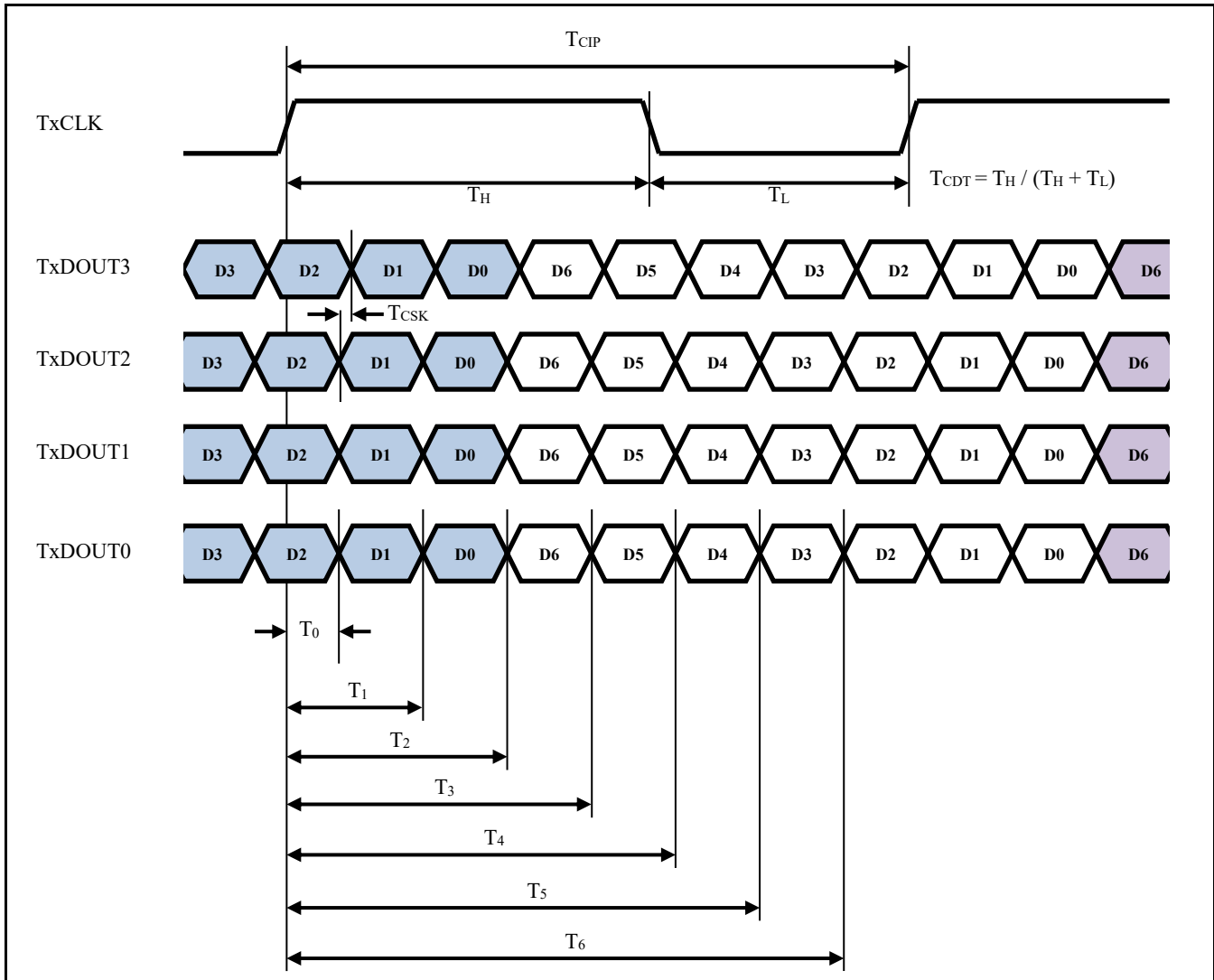
(Condition: See 8.2.Operation Assurance Condition)

| Parameter                            | Symbol                | Conditions                           | Value              |           |                    | Unit | Remarks                    |
|--------------------------------------|-----------------------|--------------------------------------|--------------------|-----------|--------------------|------|----------------------------|
|                                      |                       |                                      | Min                | Typ       | Max                |      |                            |
| Output clock frequency               | f                     | -                                    | 10                 | -         | 50                 | MHz  |                            |
| Differential output voltage          | V <sub>OD</sub>       | R <sub>L</sub> = 100 Ω               | 210                | 300       | 390                | mV   | One of three is selectable |
|                                      |                       |                                      | 250                | 350       | 450                | mV   |                            |
|                                      |                       |                                      | 295                | 400       | 505                | mV   |                            |
| Variation of V <sub>OD</sub>         | delta V <sub>OD</sub> | C <sub>L</sub> = 5 pF (differential) | -                  | -         | 25                 | mV   |                            |
| Common mode voltage                  | V <sub>CM</sub>       |                                      | 1.075              | 1.200     | 1.325              | V    | One of two is selectable   |
|                                      |                       |                                      | 1.125              | 1.250     | 1.375              | V    |                            |
| Variation of V <sub>CM</sub>         | delta V <sub>CM</sub> |                                      | -                  | -         | 25                 | mV   |                            |
| Cycle time of TXCLKP/M               | T <sub>CIP</sub>      | -                                    | 20                 | T         | 100                | ns   | Equals 1/f                 |
| Duty of TXCLKP/M                     | T <sub>CDT</sub>      | -                                    | -                  | 4 / 7 x T | -                  | ns   |                            |
| Channel to Channel skew of TXOUTxP/M | T <sub>CSK</sub>      | -                                    | -                  | -         | 200                | ps   |                            |
| Skew of TXOUTxP and TXOUTxM          | T <sub>DSK</sub>      | -                                    | -                  | -         | 50                 | ps   |                            |
| Output pulse position for bit 0      | T <sub>0</sub>        | f = 50 MHz                           | -0.25              | 0         | +0.25              | ns   |                            |
| Output pulse position for bit 1      | T <sub>1</sub>        |                                      | 1 / 7 x T<br>-0.25 | 1 / 7 x T | 1 / 7 x T<br>+0.25 | ns   |                            |
| Output pulse position for bit 2      | T <sub>2</sub>        |                                      | 2 / 7 x T<br>-0.25 | 2 / 7 x T | 2 / 7 x T<br>+0.25 | ns   |                            |
| Output pulse position for bit 3      | T <sub>3</sub>        |                                      | 3 / 7 x T<br>-0.25 | 3 / 7 x T | 3 / 7 x T<br>+0.25 | ns   |                            |
| Output pulse position for bit 4      | T <sub>4</sub>        |                                      | 4 / 7 x T<br>-0.25 | 4 / 7 x T | 4 / 7 x T<br>+0.25 | ns   |                            |
| Output pulse position for bit 5      | T <sub>5</sub>        |                                      | 5 / 7 x T<br>-0.25 | 5 / 7 x T | 5 / 7 x T<br>+0.25 | ns   |                            |
| Output pulse position for bit 6      | T <sub>6</sub>        |                                      | 6 / 7 x T<br>-0.25 | 6 / 7 x T | 6 / 7 x T<br>+0.25 | ns   |                            |

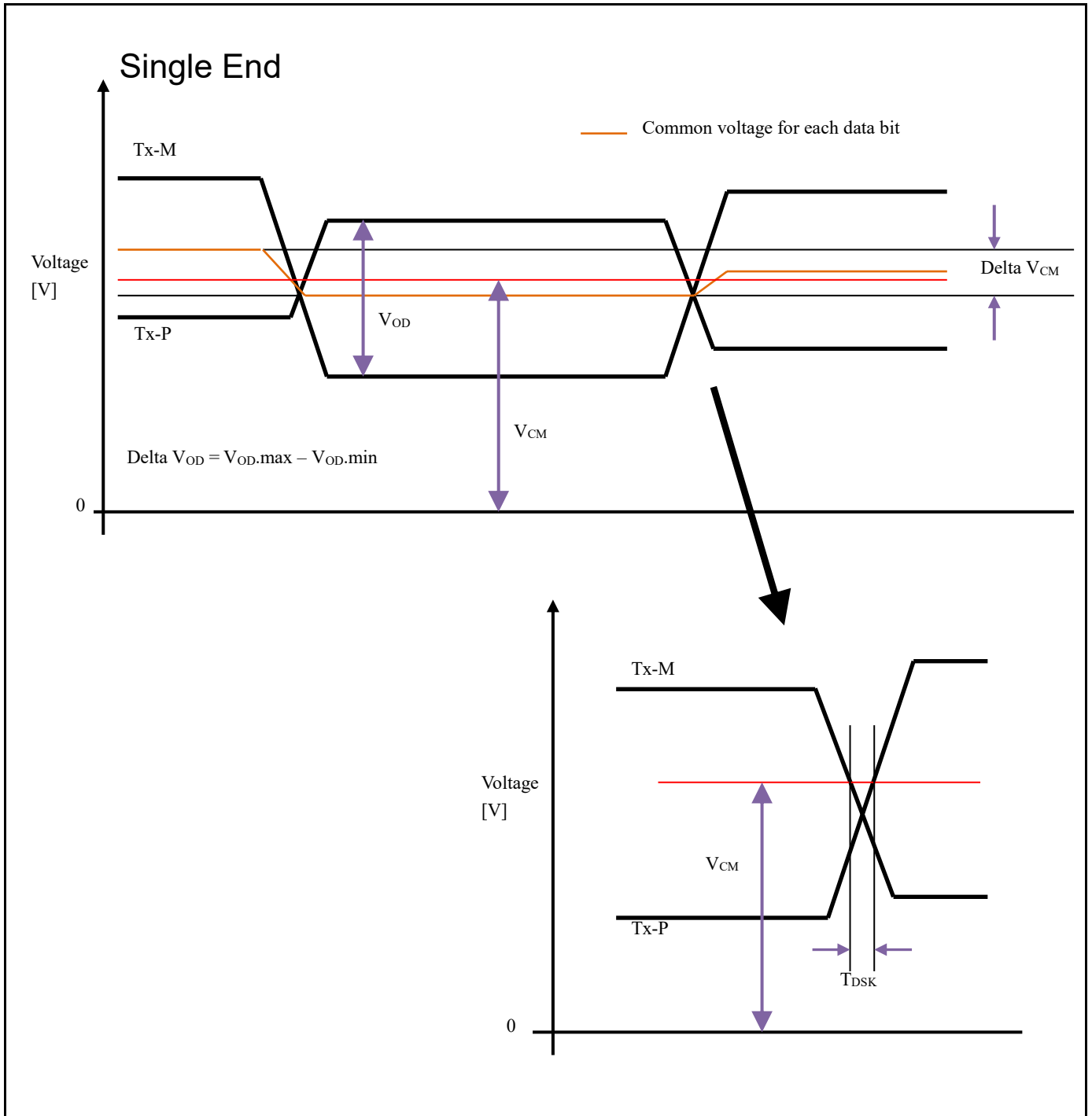
**Notes:**

- All the corresponding ports of products which don't support FPD-Link should be connected to GND. AVCC3\_LVDS\_PLL, AVSS3\_LVDS\_PLL, VCC3\_LVDS\_Tx, VSS3\_LVDS\_Tx, TxDOUn+/-, TxCLK+/-.
- Channel to Channel skew of TXOUTxP/M is included in output pulse position.

**Figure 8-6: LVDS AC Timing Chart**



**Figure 8-7: LVDS AC Timing Chart**



**8.4.15 DDR-HSSPI**

DDR-HSSPI AC characteristics are specified with the specific reference voltage of VIL, VIH, VOL, VOH = 0.5 Vcc3 as mentioned in Section 8.4.3, regardless of automotive input-level configuration, CMOS Schmitt, and TTL.

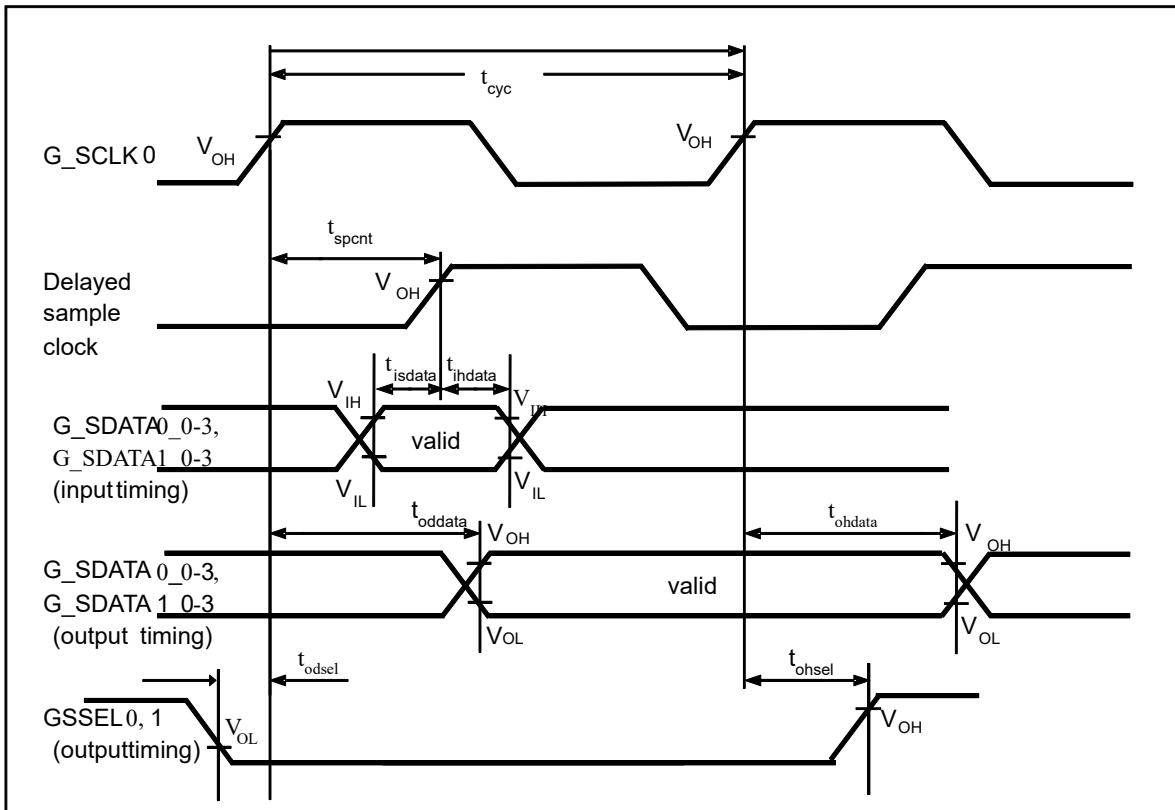
8.4.15.1 DDR-HSSPI Interface Timing (SDR Mode)

(Condition: See 8.2.Operation Assurance Condition)

| Parameter                              | Symbol              | Pin Name   | Conditions   | Value                               |                         | Unit | Remarks                         |
|--|---------------------|--|--|-------------------------------------|-------------------------|------|---------------------------------|
|  |                     |  |  | Min                                 | Max                     |      |                                 |
| HSSPI clock cycle                      | t <sub>cyc</sub>    | G_SCLK0<br>M_SCLK0   | (C <sub>L</sub> = 20 pF,<br>I <sub>OL</sub> =-10 mA,<br>I <sub>OH</sub> =10 mA), | 10                                  | -                       | ns   | when<br>Quad<br>Page<br>Program |
|  |                     |  |  | 20                                  | -                       |      |                                 |
| G_SCLK↑ -><br>delayed sample clock↑    | t <sub>spcnt</sub>  | -  |  | 0                                   | 31.5                    | ns   |                                 |
| GSDATA -> G_SCLK↑<br>Input setup time  | t <sub>isdata</sub> | G_SDATA0_0-3<br>G_SDATA1_0-3<br>M_SDATA0_0-3<br>M_SDATA1_0-3 |  | *1                                  | -                       | ns   |                                 |
| G_SCLK↑ -> GSDATA<br>Input hold time   | t <sub>ihdata</sub> | G_SDATA0_0-3<br>G_SDATA1_0-3<br>M_SDATA0_0-3<br>M_SDATA1_0-3 |  | *1                                  | -                       | ns   |                                 |
| G_SCLK↑ -> GSDATA<br>Output delay time | t <sub>oddata</sub> | G_SDATA0_0-3<br>G_SDATA1_0-3<br>M_SDATA0_0-3<br>M_SDATA1_0-3 |  | -                                   | t <sub>cyc</sub> /2 + 2 | ns   |                                 |
| G_SCLK↑ -> GSDATA<br>Output hold time  | t <sub>ohdata</sub> | G_SDATA0_0-3<br>G_SDATA1_0-3<br>M_SDATA0_0-3<br>M_SDATA1_0-3 |  | t <sub>cyc</sub> /2 - 3             | -                       | ns   |                                 |
| GSSEL ↓ -> G_SCLK<br>Output delay time | t <sub>odsel</sub>  | G_SSEL0, 1<br>M_SSEL0, 1                                     |  | -<br>12.00+(SS<br>2CD+0.5)*t<br>cyc | -                       | ns   |                                 |
| G_SCLK↑ -> GSSEL<br>Output hold time   | t <sub>ohsel</sub>  | G_SSEL0, 1<br>M_SSEL0, 1                                     |  | t <sub>cyc</sub> - 2                | -                       | ns   |                                 |

**Notes:**

- SS2CD [1:0] should be configured as 01, 10, or 11.
- For \*1, the delay of the delay sample clock can be configured (DLP function).



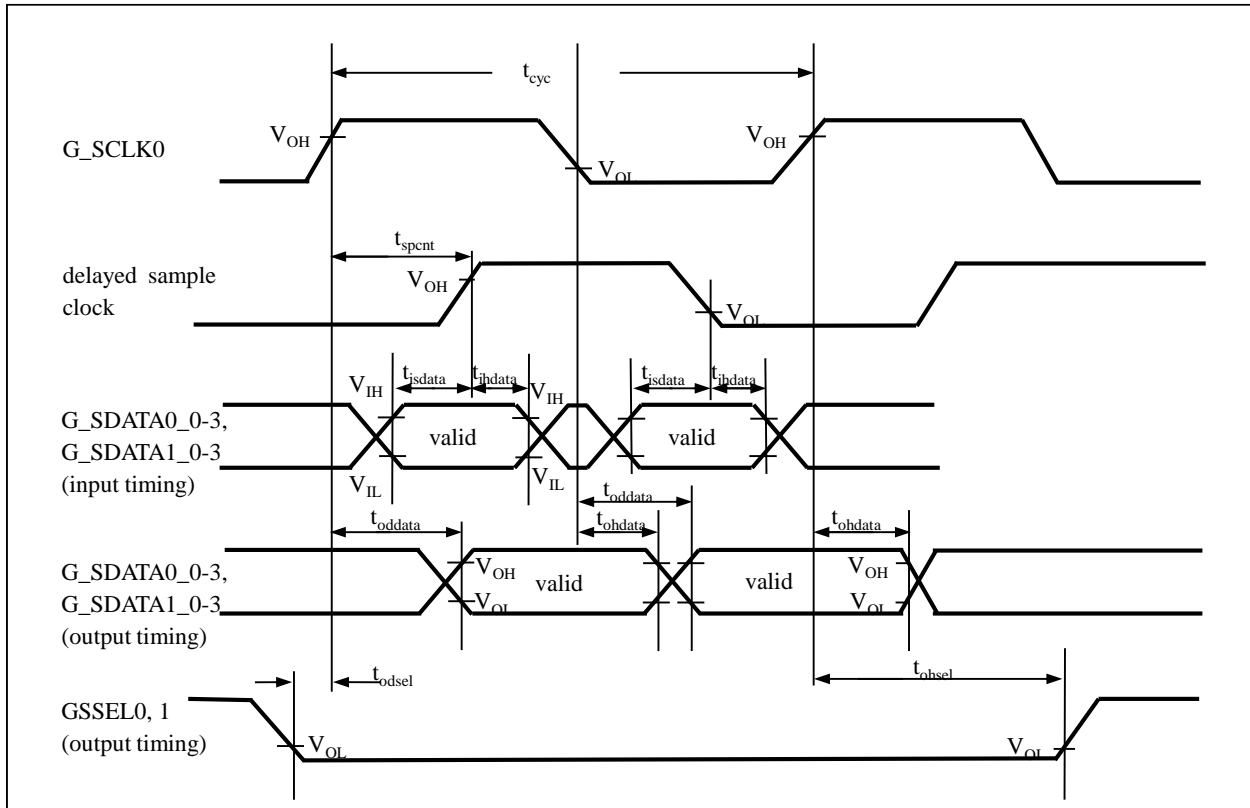
**8.4.15.2 DDR-HSSPI Interface Timing (DDR Mode)**

(Condition: See 8.2.Operation Assurance Condition)

| Parameter   | Symbol       | Pin Name   | Conditions                                 | Value                  |                                   | Unit | Remarks |
|---|--------------|--|--|------------------------|-----------------------------------|------|---------|
|   |              |  |  | Min                    | Max                               |      |         |
| HSSPI clock cycle   | $t_{cyc}$    | G_SCLK0<br>M_SCLK0   | (CL = 20 pF,<br>IOL=-10 mA,<br>IOH=10 mA), | 12.5                   | -                                 | ns   |         |
| G_SCLK $\uparrow\downarrow$ -><br>delayed sample clock $\uparrow$ | $t_{spcnt}$  | -  |  | 0                      | 31.5                              | ns   |         |
| GSDATA -> G_SCLK $\uparrow\downarrow$<br>Input setup time         | $t_{isdata}$ | G_SDATA0_0-3<br>G_SDATA1_0-3<br>M_SDATA0_0-3<br>M_SDATA1_0-3 |  | *1                     | -                                 | ns   |         |
| G_SCLK $\uparrow\downarrow$ -> GSDATA<br>Input hold time          | $t_{ihdata}$ | G_SDATA0_0-3<br>G_SDATA1_0-3<br>M_SDATA0_0-3<br>M_SDATA1_0-3 |  | *1                     | -                                 | ns   |         |
| G_SCLK $\uparrow\downarrow$ -> GSDATA<br>Output delay time        | $t_{oddata}$ | G_SDATA0_0-3<br>G_SDATA1_0-3<br>M_SDATA0_0-3<br>M_SDATA1_0-3 |  | -                      | $t_{cyc}/4 + 1.5$                 | ns   |         |
| G_SCLK $\uparrow\downarrow$ -> GSDATA<br>Output hold time         | $t_{ohdata}$ | G_SDATA0_0-3<br>G_SDATA1_0-3<br>M_SDATA0_0-3<br>M_SDATA1_0-3 |  | $T_{cyc}/4 - 1.0$      | -                                 | ns   |         |
| GSSEL $\downarrow$ -> G_SCLK<br>Output delay time                 | $t_{odsel}$  | G_SSEL0, 1<br>M_SSEL0, 1                                     |  | -                      | $15.75 + (SS2CD + 0.5) * t_{cyc}$ | ns   |         |
| G_SCLK $\uparrow$ -> GSSEL<br>Output hold time                    | $t_{ohsel}$  | G_SSEL0, 1<br>M_SSEL0, 1                                     |  | $0.75 * t_{cyc} - 2.0$ | -                                 | ns   |         |

**Notes:**

- SS2CD [1:0] should be configured as 01, 10, or 11.
- For \*1, the delay of the delay sample clock can be configured (DLP function).



8.4.16 HyperBus

HyperBus AC characteristics are specified with the specific reference voltage of  $V_{IL}$ ,  $V_{IH}$ ,  $V_{OL}$ ,  $V_{OH} = 0.5V_{CC3}$  as 8.4.3 regardless of input level configuration automotive, CMOS Schmitt, and TTL.

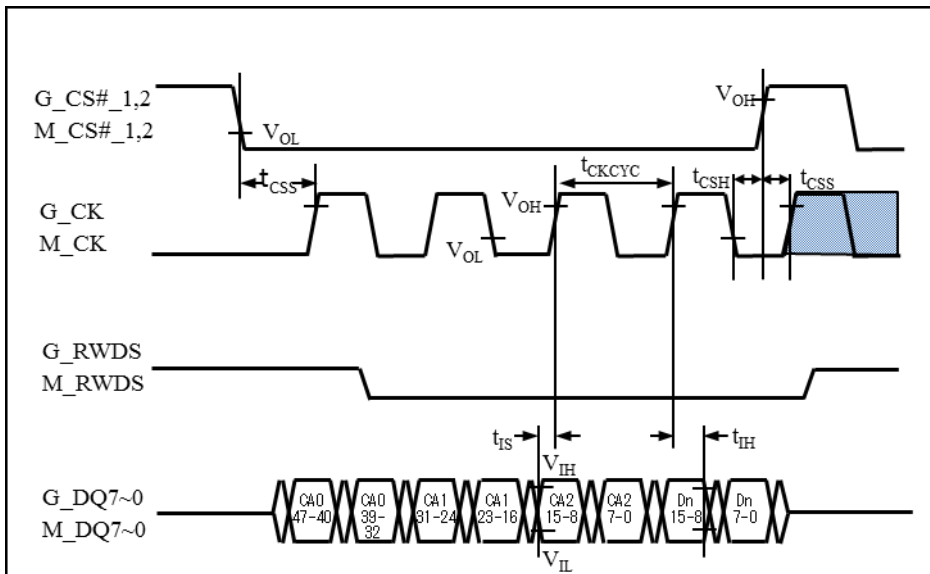
8.4.16.1 HyperBus Write Timing (HyperFlash)

(Condition: See 8.2.Operation Assurance Condition)

| Parameter                             | Symbol      | Pin Name               | Conditions   | Value              |     | Unit | Remarks |
|---------------------------------------|-------------|------------------------|--|--------------------|-----|------|---------|
|                                       |             |                        |  | Min                | Max |      |         |
| Hyper Bus clock cycle                 | $t_{CKCYC}$ | G_CK<br>M_CK           | (C <sub>L</sub> = 20 pF,<br>I <sub>OL</sub> =-10 mA,<br>I <sub>OH</sub> =10 mA), | 12.5               | -   | ns   | (A)     |
|                                       |             |                        |  | 10                 | -   | ns   | (B)     |
| CS↑↓ -> CK↑<br>Chip Select setup time | $t_{CSS}$   | G_CS#_1,2<br>M_CS#_1,2 | (C <sub>L</sub> = 20 pF,<br>I <sub>OL</sub> =-10 mA,<br>I <sub>OH</sub> =10 mA), | $t_{CKCYC} - 3.25$ | -   | ns   | (A)     |
|                                       |             |                        |  | $t_{CKCYC} - 2.0$  | -   | ns   | (B)     |
| DQ -> CK↑↓<br>Setup time              | $t_{IS}$    | G_DQ7-0<br>M_DQ7-0     | (C <sub>L</sub> = 20 pF,<br>I <sub>OL</sub> =-10 mA,<br>I <sub>OH</sub> =10 mA), | 1.25               | -   | ns   |         |
| CK↑↓ -> DQ<br>Hold time               | $t_{IH}$    | G_DQ7-0<br>M_DQ7-0     |  | 1.25               | -   | ns   |         |
| CK↓ -> CS↑<br>Chip select hold time   | $t_{CSH}$   | G_CS#_1,2<br>M_CS#_1,2 |  | $t_{CKCYC}/2$      | -   | ns   |         |

Notes:

- (A): The value will be targeted by the product series with revision digit A.
- (B): The value will be targeted by the product series with after revision digit B.
- Hyper Bus clock cycle is always  $(1/F_{CLK\_CD1}) * 4$ .



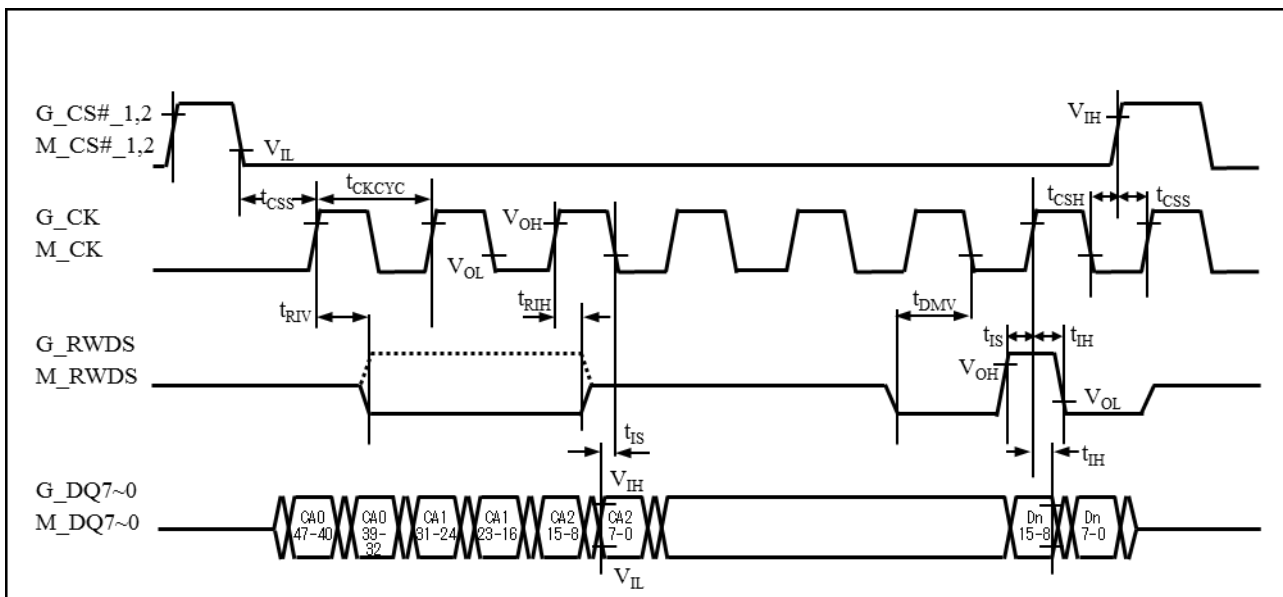
8.4.16.2 Hyper Bus Write Timing (HyperRAM)

(Condition: See 8.2.Operation Assurance Condition)

| Parameter   | Symbol      | Pin Name               | Conditions   | Value              |     | Unit | Remarks |
|---|-------------|------------------------|--|--------------------|-----|------|---------|
|   |             |                        |  | Min                | Max |      |         |
| Hyper Bus clock cycle   | $t_{CKCYC}$ | G_CK<br>M_CK           |  | 12.5               | -   | ns   | (A)     |
|   |             |                        |  | 10                 | -   | ns   | (B)     |
| CS $\uparrow\downarrow$ -> CK $\uparrow$<br>Chip Select setup time    | $t_{CSS}$   | G_CS#_1,2<br>M_CS#_1,2 |  | $t_{CKCYC} - 3.25$ | -   | ns   | (A)     |
|   |             |                        |  | $t_{CKCYC} - 2.0$  | -   | ns   | (B)     |
| DQ -> CK $\uparrow\downarrow$<br>Setup time                           | $t_{IS}$    | G_DQ7-0<br>M_DQ7-0     |  | 1.25               | -   | ns   |         |
| CK $\uparrow\downarrow$ -> DQ<br>Hold time                            | $t_{IH}$    | G_DQ7-0<br>M_DQ7-0     | $(C_L = 20\text{ pF},$<br>$I_{OL} = -10\text{ mA},$<br>$I_{OH} = 10\text{ mA}),$ | 1.25               | -   | ns   |         |
| CK $\downarrow$ -> CS $\uparrow$<br>Chip select hold time             | $t_{CSH}$   | G_CS#_1,2<br>M_CS#_1,2 |  | $t_{CKCYC}/2$      | -   | ns   |         |
| RWDS $\downarrow$ -> CK $\downarrow$<br>Data Mask Valid               | $t_{DMV}$   | G_RWDS<br>M_RWDS       |  | 1                  | -   | ns   |         |
| CK $\uparrow$ -> RWDS $\uparrow\downarrow$<br>Refresh Indicator Valid | $t_{RIV}$   | G_RWDS<br>M_RWDS       |  | -                  | 6   | ns   |         |
| CK $\uparrow$ -> RWDS(Hi-z)<br>Refresh Indicator Hold                 | $t_{RIH}$   | G_RWDS<br>M_RWDS       |  | 0                  | -   | ns   |         |

Notes:

- (A): The value is targeted by the product series with revision digit A.
- (B): The value is targeted by the product series with after revision digit B.
- Hyper Bus clock cycle is always  $(1/F_{CLK\_CD1}) * 4$ .
- When configuring the HyperBus clock cycle, take into account the HyperRAM refresh interval.

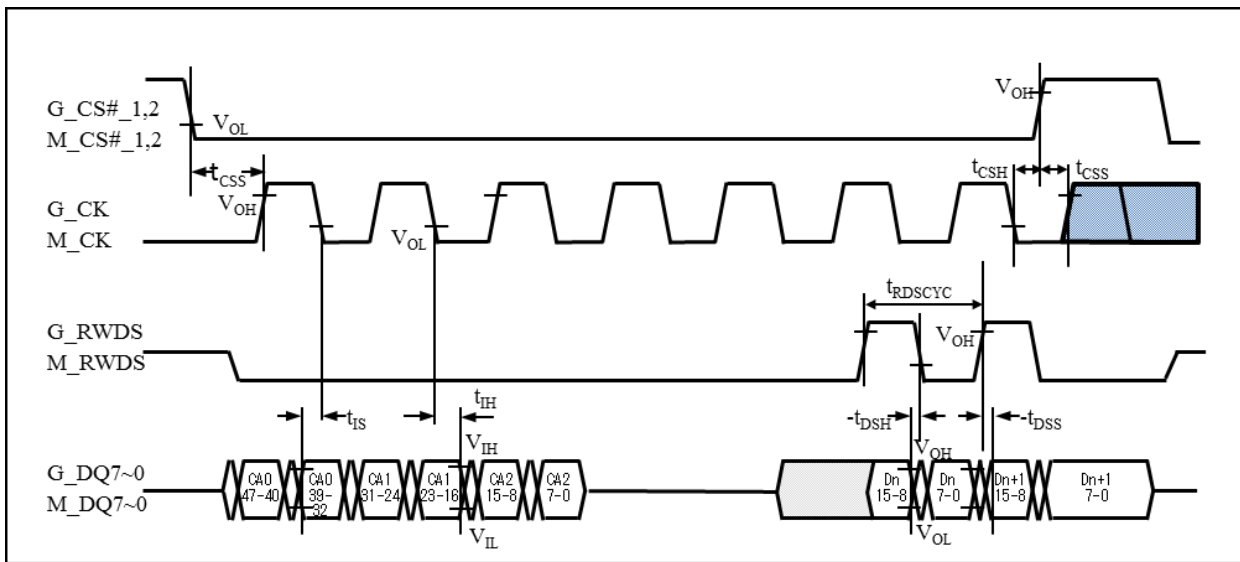


8.4.16.3 Hyper Bus Read Timing (HyperFlash)

(Condition: See 8.2.Operation Assurance Condition)

| Parameter                             | Symbol       | Pin Name                           | Conditions   | Value               |     | Unit | Remarks |
|---------------------------------------|--------------|------------------------------------|--|---------------------|-----|------|---------|
|                                       |              |                                    |  | Min                 | Max |      |         |
| Hyper Bus clock cycle                 | $t_{RDSCYC}$ | G_CK,<br>G_RWDS<br>M_CK,<br>M_RWDS | (C <sub>L</sub> = 20 pF,<br>I <sub>OL</sub> =-10 mA,<br>I <sub>OH</sub> =10 mA), | 12.5                | -   | ns   | (A)     |
|                                       |              |                                    |  | 10                  | -   | ns   | (B)     |
| CS↑↓ -> CK↑<br>Chip Select setup time | $t_{CSS}$    | G_CS#_1,2<br>M_CS#_1,2             | (C <sub>L</sub> = 20 pF,<br>I <sub>OL</sub> =-10 mA,<br>I <sub>OH</sub> =10 mA), | $t_{RDSCYC} - 3.25$ | -   | ns   | (A)     |
|                                       |              |                                    |  | $t_{RDSCYC} - 2.0$  | -   | ns   | (B)     |
| DQ -> CK↑↓<br>Setup time              | $t_{IS}$     | G_DQ7-0<br>M_DQ7-0                 | (C <sub>L</sub> = 20 pF,<br>I <sub>OL</sub> =-10 mA,<br>I <sub>OH</sub> =10 mA), | 1.25                | -   | ns   |         |
| CK↑↓ -> DQ<br>Hold time               | $t_{IH}$     | G_DQ7-0<br>M_DQ7-0                 | (C <sub>L</sub> = 20 pF,<br>I <sub>OL</sub> =-10 mA,<br>I <sub>OH</sub> =10 mA), | 1.25                | -   | ns   |         |
| CK↓ -> CS↑<br>Chip select hold time   | $t_{CSH}$    | G_CS#_1,2<br>M_CS#_1,2             | (C <sub>L</sub> = 20 pF,<br>I <sub>OL</sub> =-10 mA,<br>I <sub>OH</sub> =10 mA), | $t_{RDSCYC} / 2$    | -   | ns   |         |
| DQ-> RDS↑↓<br>Setup time              | $t_{DSS}$    | G_DQ7-0<br>M_DQ7-0                 | (C <sub>L</sub> = 20 pF,<br>I <sub>OL</sub> =-10 mA,<br>I <sub>OH</sub> =10 mA), | -0.8                | -   | ns   | (C)     |
|                                       |              |                                    |  | -0.85               | -   | ns   |         |
| RDS↑↓-> DQ<br>Hold time               | $t_{DSH}$    | G_DQ7-0<br>M_DQ7-0                 | (C <sub>L</sub> = 20 pF,<br>I <sub>OL</sub> =-10 mA,<br>I <sub>OH</sub> =10 mA), | -0.8                | -   | ns   | (C)     |
|                                       |              |                                    |  | -0.9                | -   | ns   |         |

- (A): The value is targeted by the product series with revision digit A.
- (B): The value is targeted by the product series with after revision digit B.
- (C): The value is targeted by the product series with function digit 3 to 9 and revision digit H, M, P.
- Hyper Bus clock cycle is always  $(1/F_{CLK\_CD1}) * 4$ .



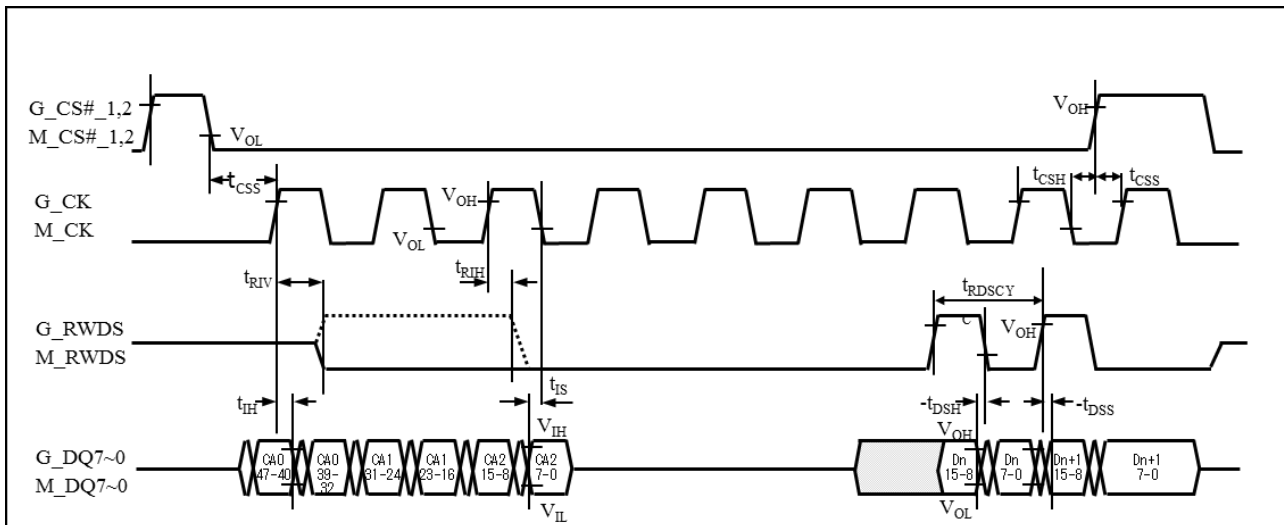
## 8.4.16.4 Hyper Bus Read Timing (HyperRAM)

(Condition: See 8.2.Operation Assurance Condition)

| Parameter   | Symbol       | Pin Name                           | Conditions   | Value               |     | Unit | Remarks |  |
|---|--------------|------------------------------------|--|---------------------|-----|------|---------|--|
|   |              |                                    |  | Min                 | Max |      |         |  |
| Hyper Bus clock cycle   | $t_{RDSCYC}$ | G_CK,<br>G_RWDS<br>M_CK,<br>M_RWDS |  | 12.5                | -   | ns   | (A)     |  |
|   |              |                                    |  | 10                  | -   | ns   | (B)     |  |
| CS $\uparrow\downarrow$ -> CK $\uparrow$<br>Chip Select setup time    | $t_{CSS}$    | G_CS#_1,2<br>M_CS#_1,2             |  | $t_{RDSCYC} - 3.25$ | -   | ns   | (A)     |  |
|   |              |                                    |  | $t_{RDSCYC} - 2.0$  | -   | ns   | (B)     |  |
| DQ -> CK $\uparrow\downarrow$<br>Setup time                           | $t_{IS}$     | G_DQ7-0<br>M_DQ7-0                 |  | 1.25                | -   | ns   |         |  |
| CK $\uparrow\downarrow$ -> DQ<br>Hold time                            | $t_{IH}$     | G_DQ7-0<br>M_DQ7-0                 |  | 1.25                | -   | ns   |         |  |
| CK $\downarrow$ -> CS $\uparrow$<br>Chip select hold time             | $t_{CSH}$    | G_CS#_1,2<br>M_CS#_1,2             | (C <sub>L</sub> = 20 pF,<br>I <sub>OL</sub> =-10 mA,<br>I <sub>OH</sub> =10 mA), | $t_{RDSCYC} / 2$    | -   | ns   |         |  |
| DQ-> RWDS $\uparrow\downarrow$ (valid)<br>Setup time                  | $t_{DSS}$    | G_DQ7-0<br>M_DQ7-0                 |  | -0.8                | -   | ns   | (C)     |  |
|   |              |                                    |  | -0.85               | -   | ns   |         |  |
| RWDS $\uparrow\downarrow$ -> DQ (invalid)<br>Hold time                | $t_{DSH}$    | G_DQ7-0<br>M_DQ7-0                 |  | -0.8                | -   | ns   | (C)     |  |
|   |              |                                    |  | -0.9                | -   | ns   |         |  |
| CK $\uparrow$ -> RWDS $\uparrow\downarrow$<br>Refresh Indicator Valid | $t_{RIV}$    | G_RWDS<br>M_RWDS                   |  |                     | -   | 6    | ns      |  |
| CK $\uparrow$ -> RWDS(Hi-z)<br>Refresh Indicator Hold                 | $t_{RIH}$    | G_RWDS<br>M_RWDS                   |  |                     | 0   | -    | ns      |  |

### Notes:

- (A): The value is targeted by the product series with revision digit A.
- (B): The value is targeted by the product series with after revision digit B.
- (C): The value is targeted by the product series with function digit 3 to 9 and revision digit H, M, P.
- Hyper Bus clock cycle is always  $(1/F_{CLK\_CD1}) * 4$ .
- When configuring the HyperBus clock cycle, take into account the HyperRAM refresh interval.

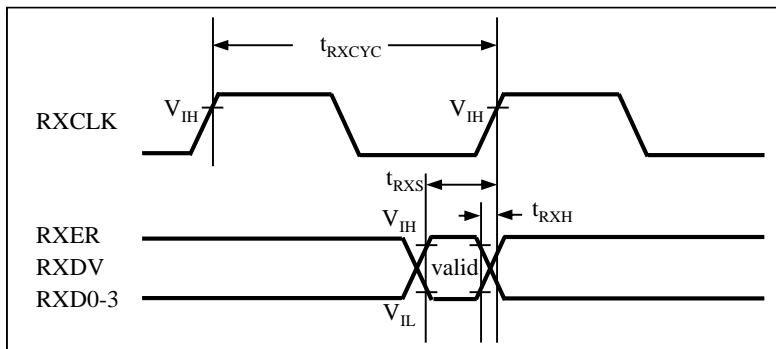


8.4.17 Ethernet AVB

8.4.17.1 Ethernet Receive Timing

(Condition: See 8.2.Operation Assurance Condition)

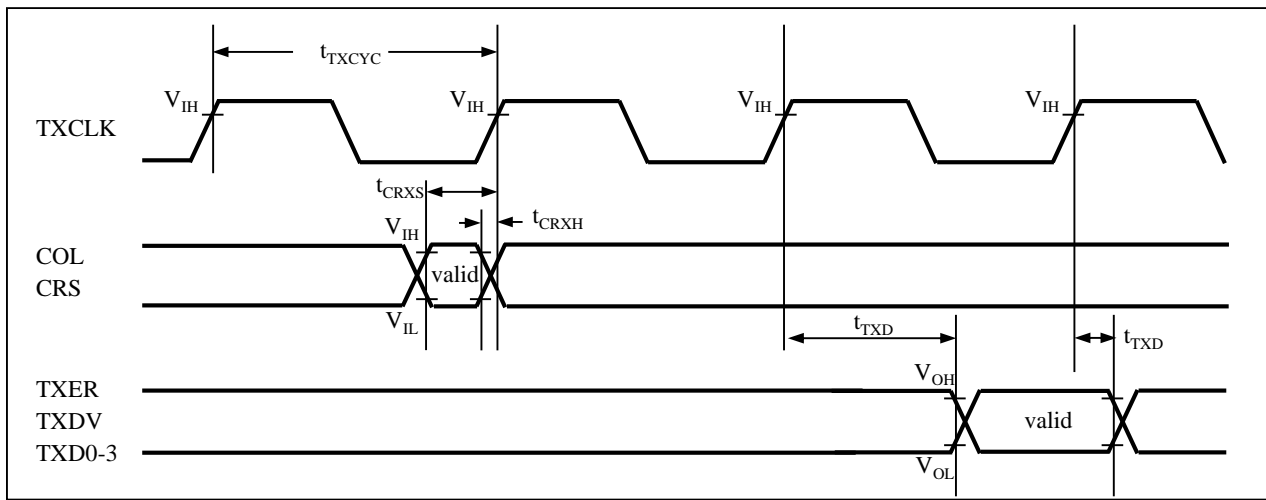
| Parameter     | Symbol      | Pin Name               | Conditions | Value |     | Unit | Remarks            |
|---------------|-------------|------------------------|------------|-------|-----|------|--------------------|
|               |             |                        |            | Min   | Max |      |                    |
| RXCLK cycle   | $t_{RXCYC}$ | RXCLK                  | -          | 40.0  | -   | ns   |                    |
| RX setup time | $t_{RXS}$   | RXER<br>RXDV<br>RXD0-3 |            | 10.0  | -   | ns   | $t_{RXCYC} - 30ns$ |
| RX hold time  | $t_{RXH}$   | RXER<br>RXDV<br>RXD0-3 |            | 0     | -   | ns   |                    |



**8.4.17.2 Ethernet Transmit Timing**

(Condition: See 8.2.Operation Assurance Condition)

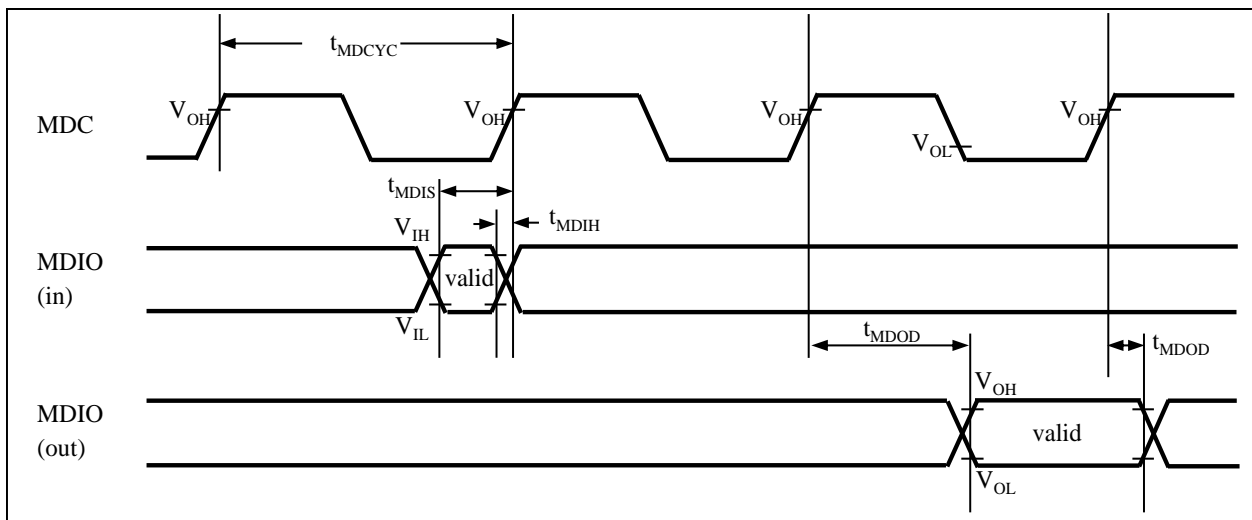
| Parameter                | Symbol      | Pin Name               | Conditions   | Value |     | Unit | Remarks |
|--------------------------|-------------|------------------------|--|-------|-----|------|---------|
|                          |             |                        |  | Min   | Max |      |         |
| TXCLK cycle              | $t_{TXCYC}$ | RXCLK                  | (C <sub>L</sub> = 20 pF,<br>I <sub>OL</sub> =-5 mA,<br>I <sub>OH</sub> =5 mA), | 40.0  | -   | ns   |         |
| COL/CRS input setup time | $t_{CRXS}$  | COL<br>CRS             |  | 12.0  | -   | ns   |         |
| COL/CRS input hold time  | $t_{CRXH}$  | COL<br>CRS             |  | 0.5   | -   | ns   |         |
| Tx delay time            | $t_{TXD}$   | TXER<br>TXDV<br>TXD0-3 |  | 0.5   | 25  | ns   |         |



## 8.4.17.3 MDIO Timing

(Condition: See 8.2.Operation Assurance Condition)

| Parameter              | Symbol      | Pin Name | Conditions   | Value |       | Unit | Remarks |
|------------------------|-------------|----------|--|-------|-------|------|---------|
|                        |             |          |  | Min   | Max   |      |         |
| MDC cycle              | $t_{MDCYC}$ | MDC      | (C <sub>L</sub> = 20 pF,<br>I <sub>OL</sub> =-5 mA,<br>I <sub>OH</sub> =5 mA), | 400.0 | -     | ns   |         |
| MDIO input setup time  | $t_{MDIS}$  | MDIO     |  | 100.0 | -     | ns   |         |
| MDIO input hold time   | $t_{MDIH}$  | MDIO     |  | 0.0   | -     | ns   |         |
| MDIO output delay time | $t_{MDOD}$  | MDIO     |  | 10.0  | 190.0 | ns   |         |



8.4.18 MediaLB

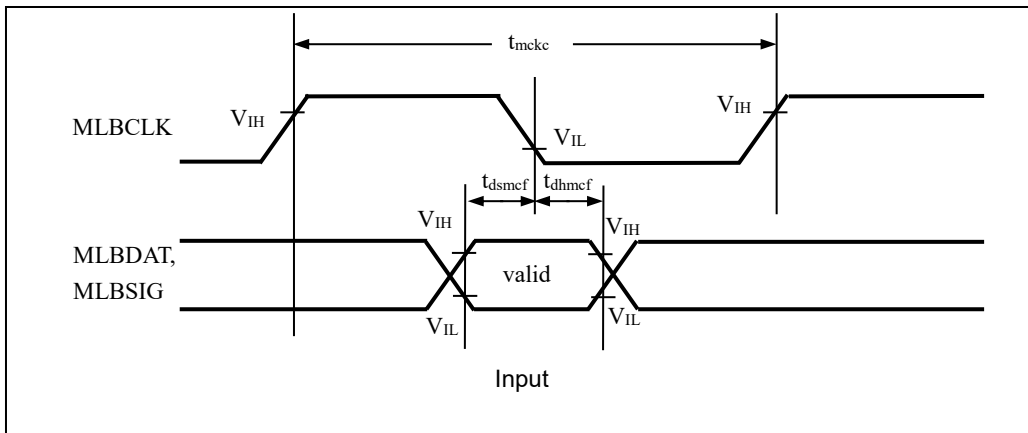
8.4.18.1 MediaLB Input Timing

(Condition: See 8.2.Operation Assurance Condition)

| Parameter                     | Symbol      | Pin Name         | Conditions | Value |     | Unit | Remarks |
|-------------------------------|-------------|------------------|------------|-------|-----|------|---------|
|                               |             |                  |            | Min   | Max |      |         |
| MLBCLK cycle                  | $t_{mckc}$  | MLBCLK           | -          | 40    | -   | ns   |         |
| MLBSIG, MLBDAT<br>Input setup | $t_{dsmcf}$ | MLBSIG<br>MLBDAT |            | 1.0   | -   | ns   |         |
| MLBSIG, MLBDAT<br>Input hold  | $t_{dhmcf}$ | MLBSIG<br>MLBDAT |            | 4.0   | -   | ns   |         |

Note:

- CLK\_HAPP1B0 (internal) frequency > MLBCLK (external) frequency



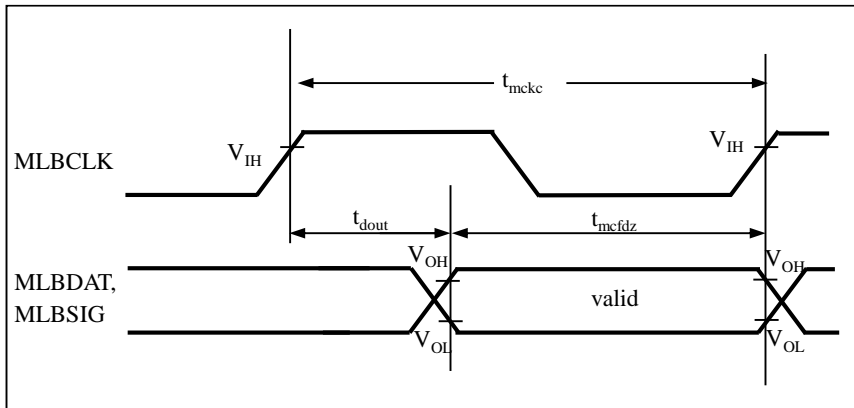
8.4.18.2 MediaLB Output Timing

(Condition: See 8.2.Operation Assurance Condition)

| Parameter                   | Symbol      | Pin Name         | Conditions  | Value |      | Unit | Remarks               |
|-----------------------------|-------------|------------------|---|-------|------|------|-----------------------|
|                             |             |                  |   | Min   | Max  |      |                       |
| MLBCLK cycle                | $t_{mckc}$  | MLBCLK           | $(C_L = 20\text{ pF}, I_{OL} = -6\text{ mA}, I_{OH} = 6\text{ mA})$ | 40    | -    | ns   |                       |
| MLBSIG, MLBDAT output stop  | $t_{mcfdz}$ | MLBSIG<br>MLBDAT |   | 26.5  | -    | ns   | $t_{mckc} - t_{dout}$ |
| MLBSIG, MLBDAT output delay | $t_{dout}$  | MLBSIG<br>MLBDAT |   | 0     | 13.5 | ns   |                       |

**Note:**

- $CLK\_HAPP1B0$  (internal) frequency > MLBCLK (external) frequency



**8.4.19 Port Noise Filter**

 (Condition: See [8.2.Operation Assurance Condition](#))

| Parameter            | Symbol | Pin Name   | Conditions | Value |     | Unit | Remarks |
|----------------------|--------|--|------------|-------|-----|------|---------|
|                      |        |  |            | Min   | Max |      |         |
| Input pulse filtered | -      | ALL GPIO   | -          | 67    | -   | ns   |         |
| Input pulse filtered | -      | EINT0-15<br>or<br>TIN0-3, 16-19,<br>32-35, 48, 49        | -          | 67    | -   | ns   |         |
| Input pulse filtered | -      | SCL4, 10, 12,<br>16, 17<br>Or<br>SDA4, 10, 12,<br>16, 17 | -          | 240   | -   | ns   |         |

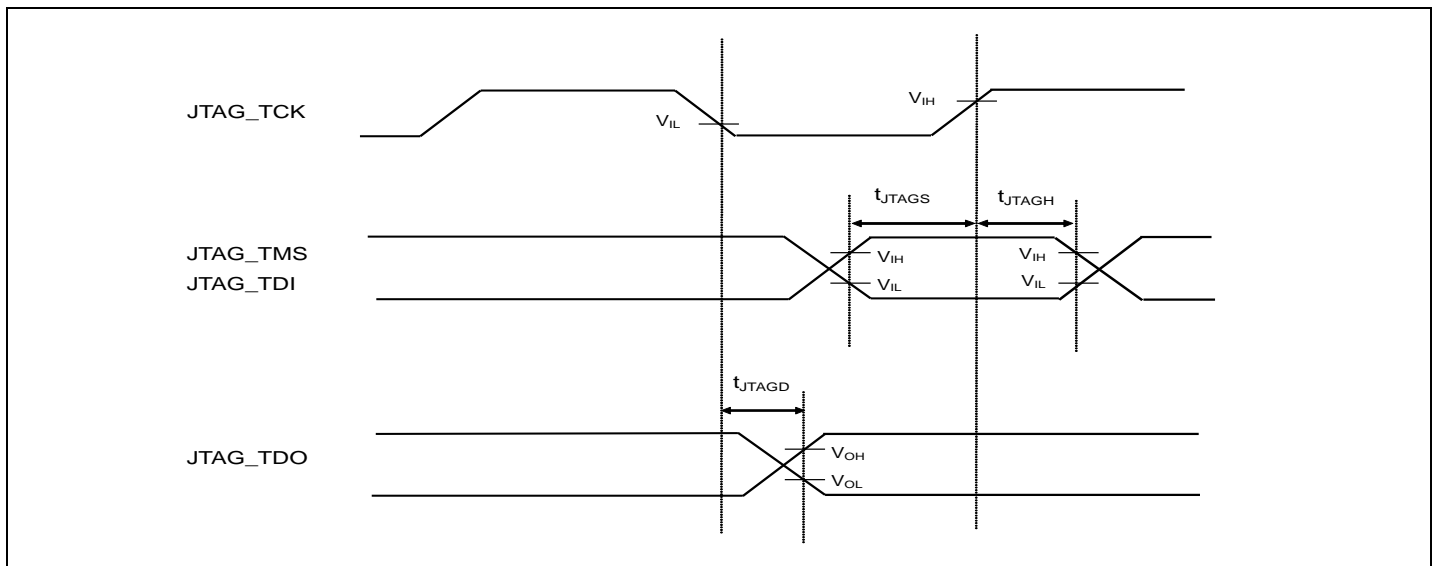
**Note:**

- The spec guarantees that the rectangular pulse wider than min value is never removed.

**8.4.20 JTAG**

(Condition: See 8.2.Operation Assurance Condition)

| Parameter           | Symbol      | Pin Name                     | Conditions            | Value |     | Unit | Remarks |
|---------------------|-------------|------------------------------|-----------------------|-------|-----|------|---------|
|                     |             |                              |                       | Min   | Max |      |         |
| TMS, TDI setup time | $t_{JTAGS}$ | JTAG_TCK, JTAG_TMS, JTAG_TDI | $C_L = 20 \text{ pF}$ | 16    | -   | ns   |         |
| TMS, TDI hold time  | $t_{JTAGH}$ | JTAG_TCK, JTAG_TMS, TDI      | $C_L = 20 \text{ pF}$ | 10    | -   | ns   |         |
| TDO delay time      | $t_{JTAGD}$ | JTAG_TCK, JTAG_TDO           | $C_L = 20 \text{ pF}$ | -     | 25  | ns   |         |



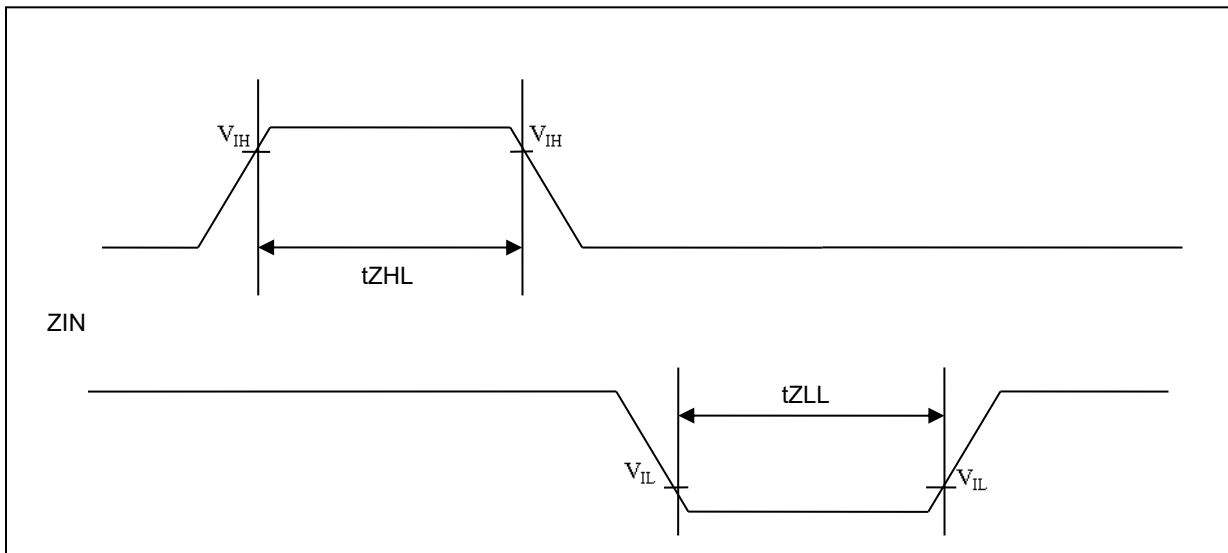
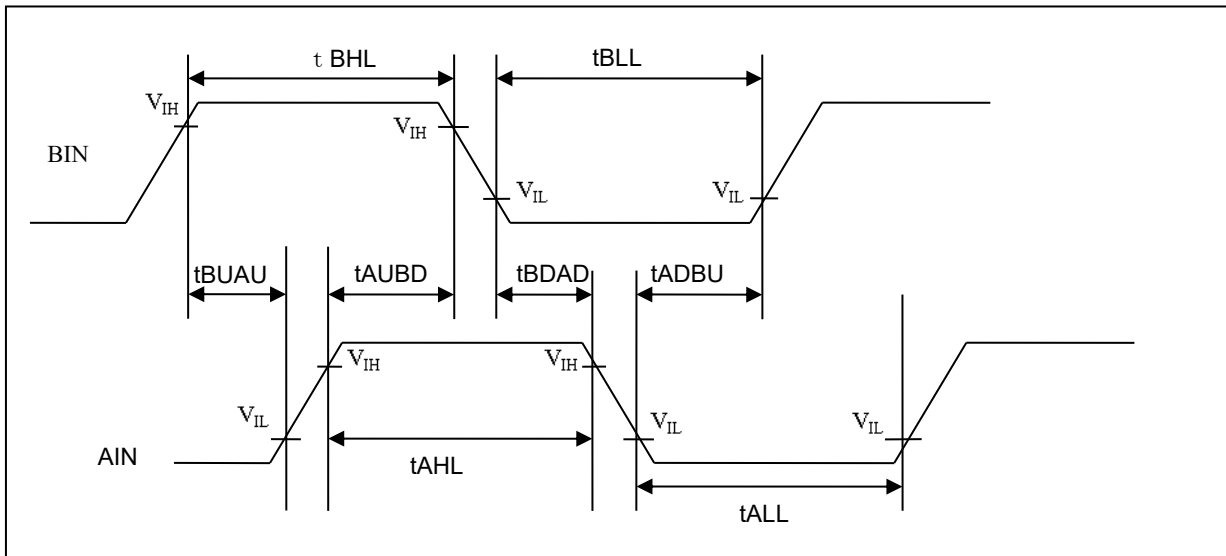
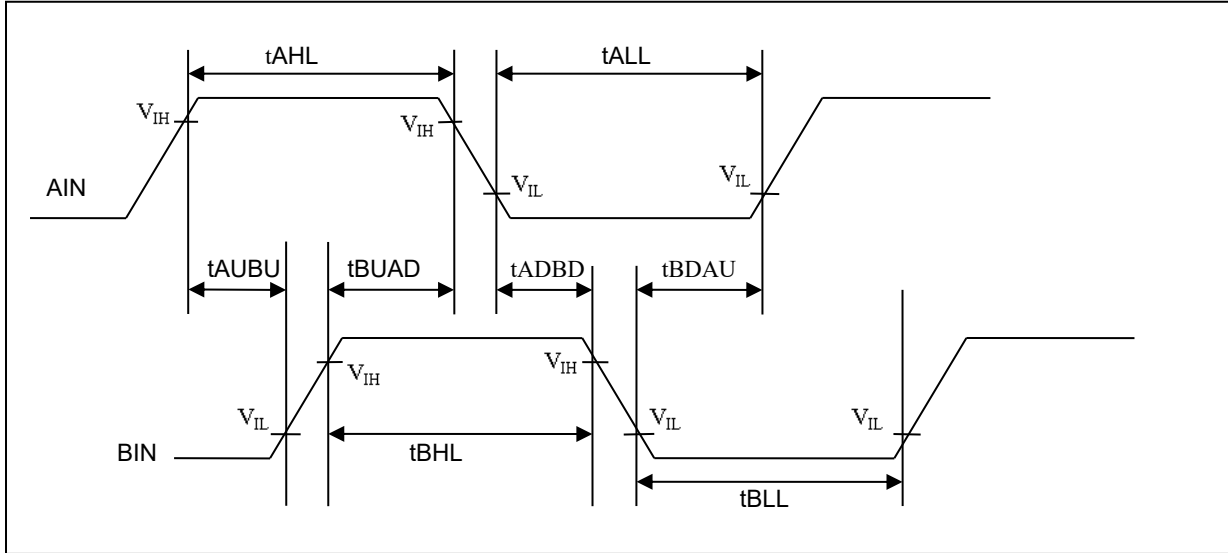
**8.4.21 QPRC**

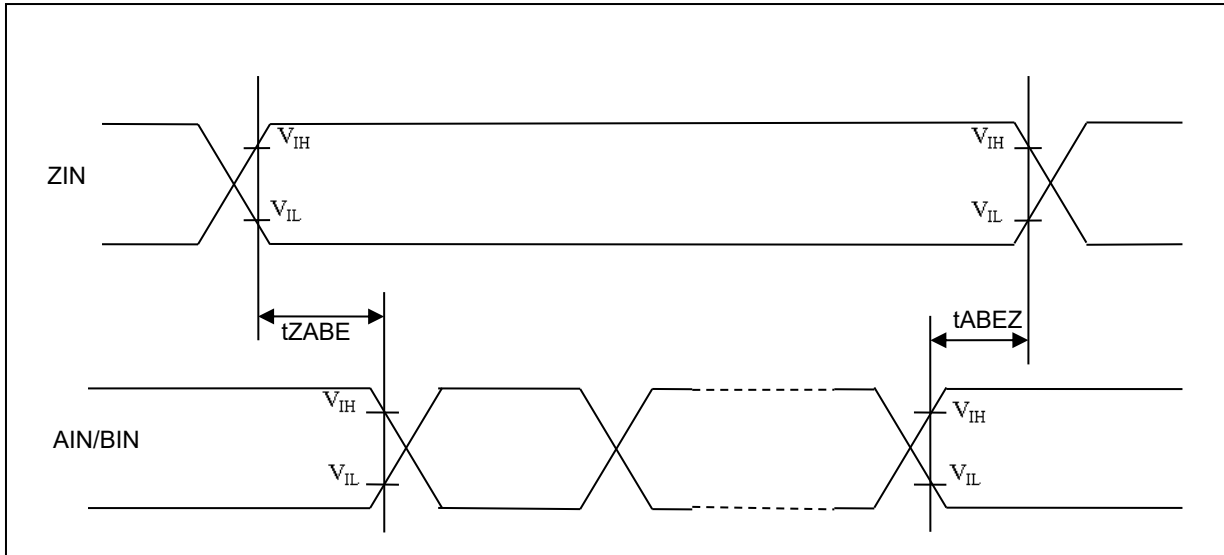
(Condition: See 8.2.Operation Assurance Condition)

| Parameter  | Symbol | Pin Name | Conditions           | Value       |     | Unit | Remarks |
|--|--------|----------|----------------------|-------------|-----|------|---------|
|  |        |          |                      | Min         | Max |      |         |
| "H" width of AIN   | tAHL   | AIN      | —                    | 4tCLK_LCP1A | —   | ns   |         |
| "L" width of AIN   | tALL   | AIN      | —                    | 4tCLK_LCP1A | —   |      |         |
| "H" width of BIN   | tBHL   | BIN      | —                    | 4tCLK_LCP1A | —   | ns   |         |
| "L" width of BIN   | tBLL   | BIN      | —                    | 4tCLK_LCP1A | —   | ns   |         |
| Rising timing of BIN from "H" level of AIN                         | tAUBU  | BIN      | PC_Mode2 or PC_mode3 | 4tCLK_LCP1A | —   | ns   |         |
| Falling timing of AIN from "H" level of BIN                        | tBUAD  | AIN      | PC_Mode2 or PC_Mode3 | 4tCLK_LCP1A | —   | ns   |         |
| Falling timing of BIN from "L" level of AIN                        | tADBD  | BIN      | PC_Mode2 or PC_Mode3 | 4tCLK_LCP1A | —   | ns   |         |
| Rising timing of AIN from "L" level of BIN                         | tBDAU  | AIN      | PC_Mode2 or PC_Mode3 | 4tCLK_LCP1A | —   | ns   |         |
| Rising timing of AIN from "H" level of BIN                         | tBUAU  | AIN      | PC_Mode2 or PC_Mode3 | 4tCLK_LCP1A | —   | ns   |         |
| Falling timing of BIN from "H" level of AIN                        | tAUBD  | BIN      | PC_Mode2 or PC_Mode3 | 4tCLK_LCP1A | —   | ns   |         |
| Falling timing of AIN from "L" level of BIN                        | tBDAD  | AIN      | PC_Mode2 or PC_Mode3 | 4tCLK_LCP1A | —   | ns   |         |
| Rising timing of BIN from "L" level of AIN                         | tADBU  | BIN      | PC_Mode2 or PC_Mode3 | 4tCLK_LCP1A | —   | ns   |         |
| "H" width of ZIN   | tZHL   | ZIN      | QCR:CGSC="0"         | 4tCLK_LCP1A | —   | ns   |         |
| "L" width of ZIN   | tZLL   | ZIN      | QCR:CGSC="0"         | 4tCLK_LCP1A | —   | ns   |         |
| Rising or falling timing of AIN/BIN from level valid timing of ZIN | tZABE  | AIN/BIN  | QCR:CGSC="1"         | 4tCLK_LCP1A | —   | ns   |         |
| Level valid timing of ZIN from falling or rising timing of AIN/BIN | tABEZ  | ZIN      | QCR:CGSC="1"         | 4tCLK_LCP1A | —   | ns   |         |

**Note:**

 – *t* is the period of peripheral clock (CLK)





8.4.22 I2S

8.4.22.1 I2S Timing – Master mode (MSMD=1)

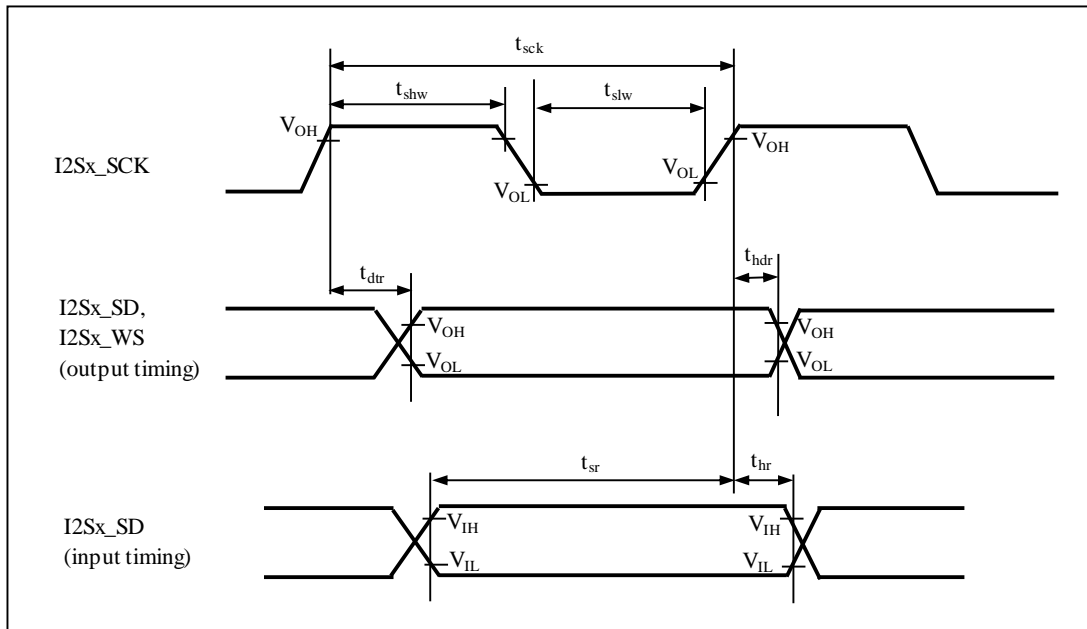
(Condition: See 8.2.Operation Assurance Condition)

| Parameter                              | Symbol    | Pin Name                             | Conditions  | Value              |                    | Unit | Remarks  |
|--|-----------|--------------------------------------|---|--------------------|--------------------|------|--|
|  |           |                                      |   | Min                | Max                |      |  |
| ECLK0/ECLK1 clock cycle                | $t_{eck}$ | ECLK0, ECLK1                         | (C <sub>L</sub> = 20 pF, I <sub>OL</sub> =-5 mA, I <sub>OH</sub> =5 mA)<br><br>CPOL=0, SMPL=1 | 20                 | -                  | ns   | Only relevant if external ECLK input is selected. *1 |
| ECLK0/ECLK1 clock "H" pulse width      | $t_{ehw}$ |                                      |   | 0.40*<br>$t_{eck}$ | 0.60*<br>$t_{eck}$ | ns   |  |
| ECLK0/ECLK1 clock "L" pulse width      | $t_{elw}$ |                                      |   | 0.40*<br>$t_{eck}$ | 0.60*<br>$t_{eck}$ | ns   |  |
| I2S clock cycle (output SCK)           | $t_{sck}$ | I2S0_SCK, I2S1_SCK                   |   | 66.66              | -                  | ns   |  |
| I2S clock "H" pulse width              | $t_{shw}$ |                                      |   | 0.35*<br>$t_{sck}$ | 0.65*<br>$t_{sck}$ | ns   |  |
| I2S clock "L" pulse width              | $t_{slw}$ |                                      |   | 0.35*<br>$t_{sck}$ | 0.65*<br>$t_{sck}$ | ns   |  |
| Sender delay time SCK↑ -> SD/WS valid  | $t_{dtr}$ | I2S0_SCK, I2S1_SCK, I2S0_SD, I2S1_SD |   | -                  | 26                 | ns   | *2   |
| Sender hold time SCK↑ -> SD/WS invalid | $t_{htr}$ | I2S0_SD, I2S1_SD, I2S0_WS, I2S1_WS   |   | -10                | -                  | ns   | *2   |
| Receiver setup time SD valid -> SCK↑   | $t_{sr}$  | I2S0_SCK, I2S1_SCK, I2S0_SD, I2S1_SD |   | 21                 | -                  | ns   | *2   |
| Receiver hold time SCK↑ -> SD valid    | $t_{hr}$  | I2S0_SD, I2S1_SD                     | 10  | -                  | ns                 | *2   |  |

Notes:

\*1: ECKM = 1. Refer to the Resource Input Configuration chapter in TRM for required RESSEL register settings.

\*2: See the I2S register description chapter in TRM for different combinations of clock polarity (CPOL), sampling point position (SMPL), polarity/pulse\_width/frame\_sync phase of WS (FSPL, FSLN, FSPH). Actual waveforms and relevant clock edges will change accordingly; the delay values as per above table will remain the same.



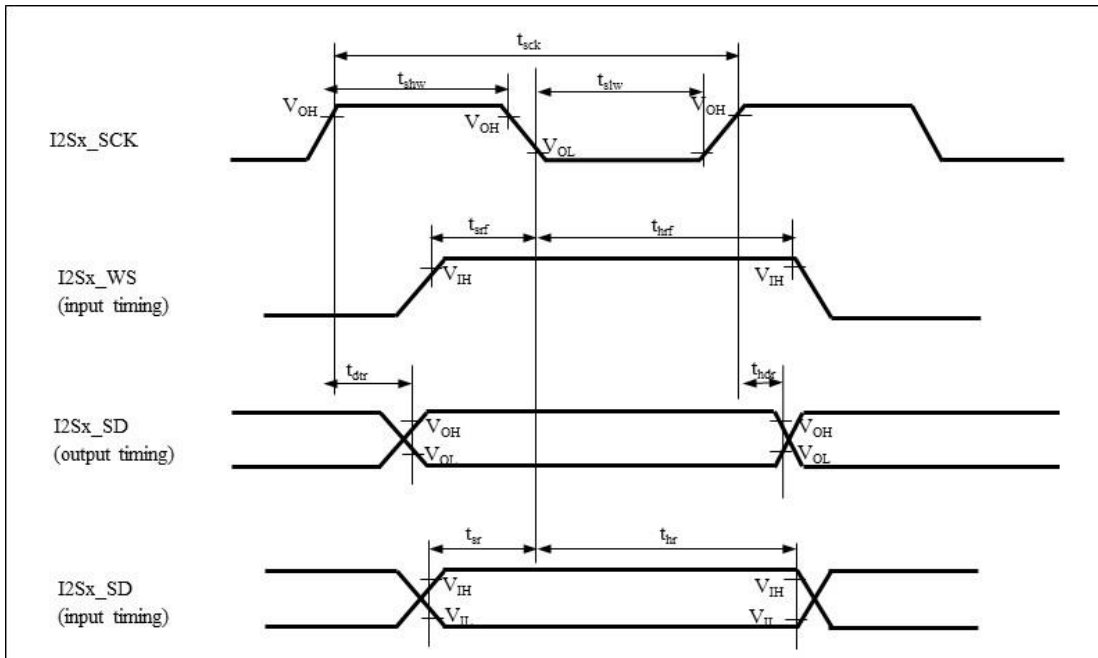
8.4.22.2 I2S Timing – Slave mode (MSMD=0)

(Condition: See 8.2.Operation Assurance Condition)

| Parameter                            | Symbol    | Pin Name                             | Conditions  | Value |       | Unit | Remarks |
|--------------------------------------|-----------|--------------------------------------|---|-------|-------|------|---------|
|                                      |           |                                      |   | Min   | Max   |      |         |
| I2S clock cycle (input SCK)          | $t_{sck}$ | I2S0_SCK, I2S1_SCK                   | (C <sub>L</sub> = 20 pF, I <sub>OL</sub> =-5 mA, I <sub>OH</sub> =5 mA)<br><br>CPOL=0, SMPL=0 | 66.66 | -     | ns   |         |
| I2S clock "H" pulse width            | $t_{shw}$ | I2S0_SCK, I2S1_SCK                   |   | 0.40* | 0.60* | ns   |         |
| I2S clock "L" pulse width            | $t_{slw}$ |                                      |   | 0.40* | 0.60* | ns   |         |
| Setup time WS transition -> SCK↓     | $t_{srf}$ | I2S0_SCK, I2S1_SCK, I2S0_WS, I2S1_WS |   | 40    | -     | ns   | *1      |
| Hold time SCK↓ -> WS transition      | $t_{hrf}$ |                                      |   | 10    | -     | ns   | *1      |
| Sender delay time SCK↑ -> SD valid   | $t_{dtr}$ | I2S0_SCK, I2S1_SCK, I2S0_SD, I2S1_SD |   | -     | 26    | ns   | *1      |
| Sender hold time SCK↑ -> SD invalid  | $t_{htr}$ |                                      |   | -10   | -     | ns   | *1      |
| Receiver setup time SD valid -> SCK↓ | $t_{sr}$  | I2S0_SCK, I2S1_SCK, I2S0_SD, I2S1_SD |   | 21    | -     | ns   | *1      |
| Receiver hold time SCK↓ -> SD valid  | $t_{hr}$  |                                      | 10  | -     | ns    | *1   |         |

**Note:**

\*1: See the I2S register description chapter in the TRM for different combinations of clock polarity (CPOL), sampling point position (SMPL), polarity/pulse\_width/frame\_sync phase of WS (FSPL, FSLN, FSPH). Actual waveforms and relevant clock edges will change accordingly; the delay values based on the table above will remain the same.



**8.5 A/D Converter**
**8.5.1 Electrical Characteristics**

(Condition: See 8.2.Operation Assurance Condition)

| Parameter                     | Symbol           | Pin Name     | Value                   |     |                  | Unit | Remarks  |
|-------------------------------|------------------|--------------|-------------------------|-----|------------------|------|--|
|                               |                  |              | Min                     | Typ | Max              |      |  |
| Resolution                    | -                | -            | -                       | -   | 12               | bit  |  |
| Total Error                   | -                | -            | -                       | -   | ±12              | LSB  | *3   |
| Integral Non linearity        | -                | -            | -                       | -   | ±4.0             | LSB  | *4   |
| Differential Non linearity    | -                | -            | -                       | -   | ±1.9             | LSB  | *4   |
| Zero transition voltage       | V <sub>ZT</sub>  | AN0 to AN49  | AVRL<br>-11.5LSB        | -   | AVRL<br>+12.5LSB | V    | *5   |
| Full-scale transition voltage | V <sub>FST</sub> | AN0 to AN49  | AVRH<br>-13.5LSB        | -   | AVRH<br>+10.5LSB | V    |  |
| Sampling time                 | t <sub>SMP</sub> | -            | 0.3                     | -   | -                | µs   | *1   |
| Compare time                  | t <sub>CMP</sub> | -            | 0.8                     | -   | 28               | µs   | *1   |
| A/D conversion time           | t <sub>CNV</sub> | -            | 1.1                     | -   | -                | µs   | *1   |
| A/D trigger input time        |                  | ADTRG        | 4t <sub>CLK_LCP1A</sub> | -   | -                | ns   | 4t <sub>CLK_LCP1A</sub> ≥ 100ns                          |
|                               |                  |              | 100                     |     |                  |      | 4t <sub>CLK_LCP1A</sub> < 100ns                          |
| Resumption time               | -                | -            | -                       | -   | 1                | us   | -  |
| Analog port input current     | I <sub>AIN</sub> | AN0 to AN17  | -1.0                    | -   | 1.0              | µA   | V <sub>AVSS</sub> ≤ V <sub>AIN</sub> ≤ V <sub>AVCC</sub> |
|                               |                  | AN18 to AN25 | -2.0                    | -   | 2.0              | µA   |  |
|                               |                  | AN26 to AN49 | -3.0                    | -   | 3.0              | µA   |  |
| Analog input voltage          | V <sub>AIN</sub> | AN0 to AN49  | AVSS                    | -   | AVRH             | V    |  |
| Reference voltage             | AVRH             | AVRH5        | 4.5                     | -   | 5.5              | V    | AV <sub>CC</sub> ≥ AVRH                                  |
|                               | AVRL             | AVSS         | -                       | 0.0 | -                | V    |  |
| Power supply current          | I <sub>A</sub>   | AVCC         | -                       | 500 | 900              | µA   |  |
|                               | I <sub>AH</sub>  |              | -                       | 1.0 | 100              | µA   | *2   |
|                               | I <sub>R</sub>   | AVRH         | -                       | 1.0 | 2.0              | mA   |  |
|                               | I <sub>RH</sub>  |              | -                       | -   | 5.0              | µA   | *2   |
| Variation between channels    | -                | AN0 to AN49  | -                       | -   | 4.0              | LSB  |  |

\*1: Time per channel

 \*2: Definition of the power supply current (when V<sub>CC</sub>=AV<sub>CC</sub>=5.0 V) while the A/D converter is not operating and in stop mode

 \*3: Total Error is a comprehensive static error that includes the linearity after trimming by software.  
 1LSB= (AVRH-AVRL)/4096

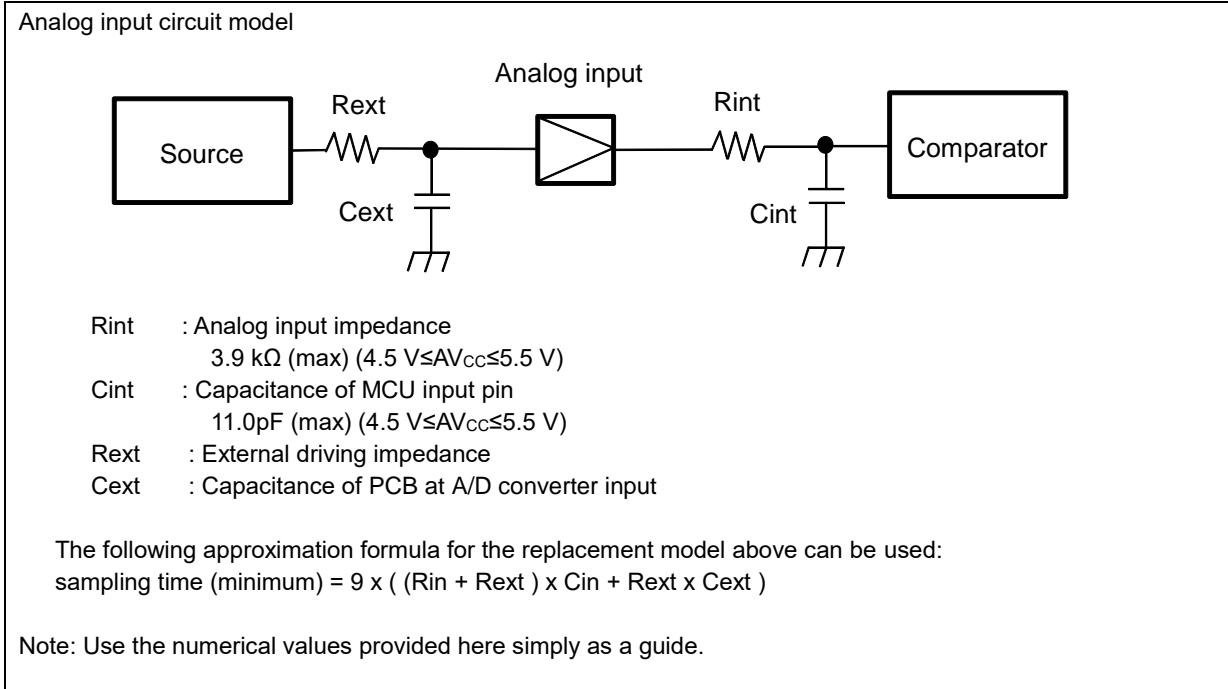
\*4: 1LSB= (VFST-VZT)/4094

\*5: 1LSB= (AVRH-AVRL)/4096

### 8.5.2 Notes on A/D Converters

#### About the Output Impedance of an External Circuit for Analog Input

When the external impedance is too high, the analog voltage sampling time may become insufficient. In this case, we recommend attaching a capacitor (about 0.1  $\mu\text{F}$ ) to an analog input pin.



### 8.5.3 Glossary

Resolution: Analog change that can be identified by an A/D converter

Integral linearity error: Deviation of the straight line connecting the zero transition point ("0000 0000 0000"  $\leftrightarrow$  "0000 0000 0001") and full-scale transition point ("1111 1111 1110"  $\leftrightarrow$  "1111 1111 1111") from actual conversion characteristics

Includes zero transition error, full-scale transition error, and non-linearity error.

Differential linearity error: Deviation from the ideal value of the input voltage required for changing the output code by 1 LSB

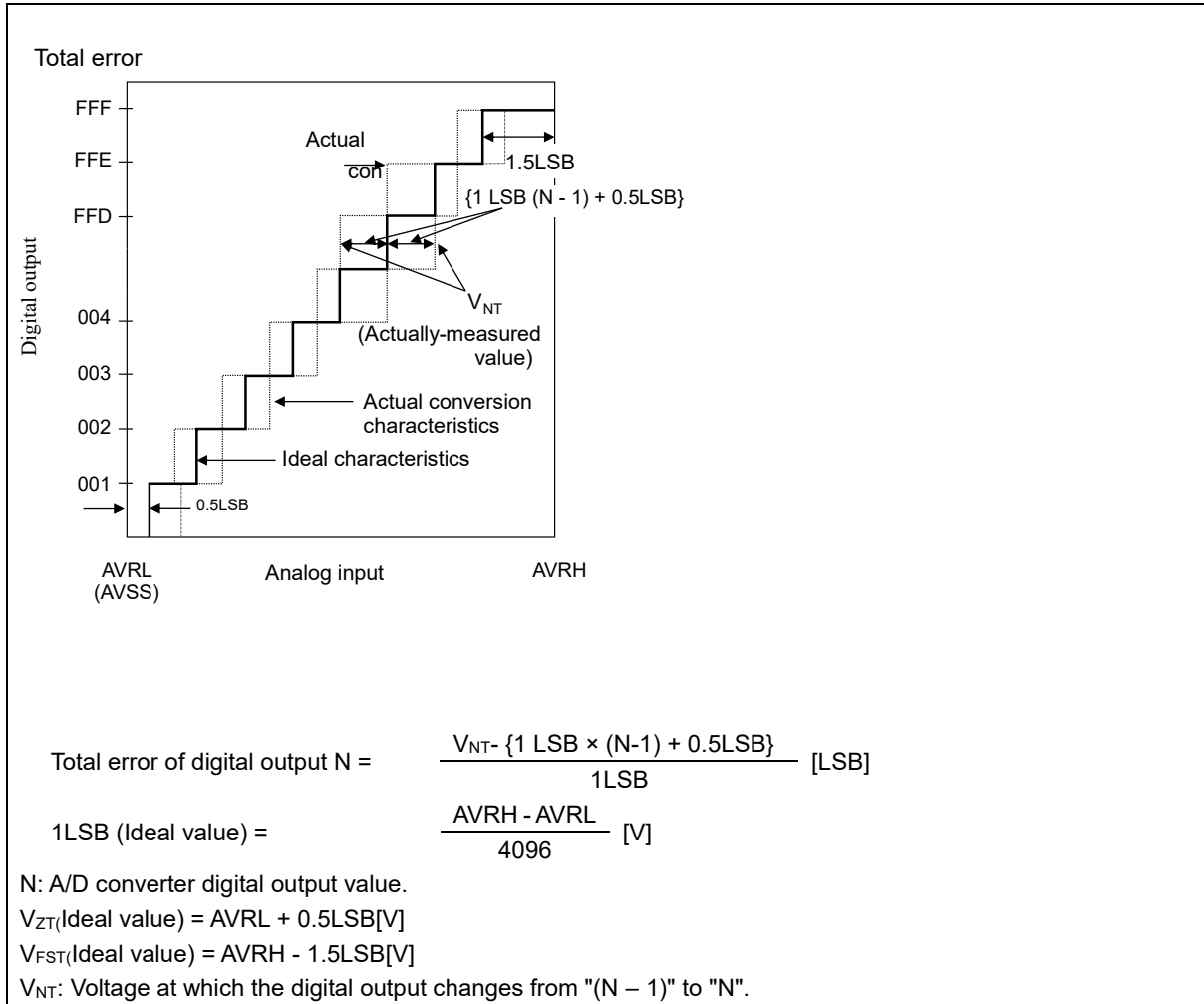
Total error: Difference between the actual value and the theoretical value.

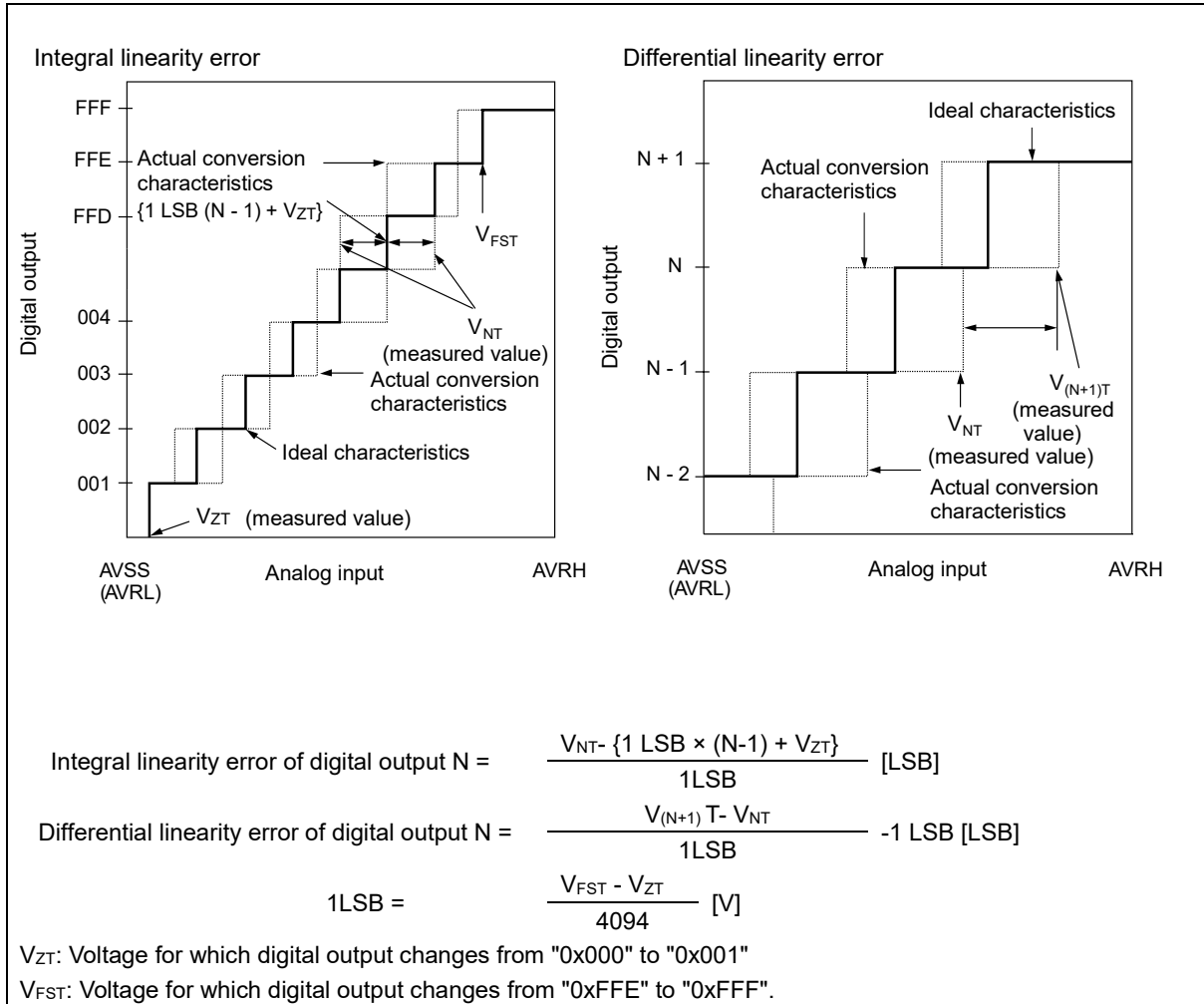
### 8.5.4 Calibration Condition

Calibration Condition should be the followings.

- AV<sub>CC</sub>=5.0 V
- AV<sub>RH</sub>=5.0 V
- T<sub>A</sub>=25°C
- system clock frequency (CLK\_LCP1A) = 10 MHz

See A/D Converter Calibration in the S6J3200 hardware manual.





## 8.6 Audio DAC

### 8.6.1 Electrical Characteristics

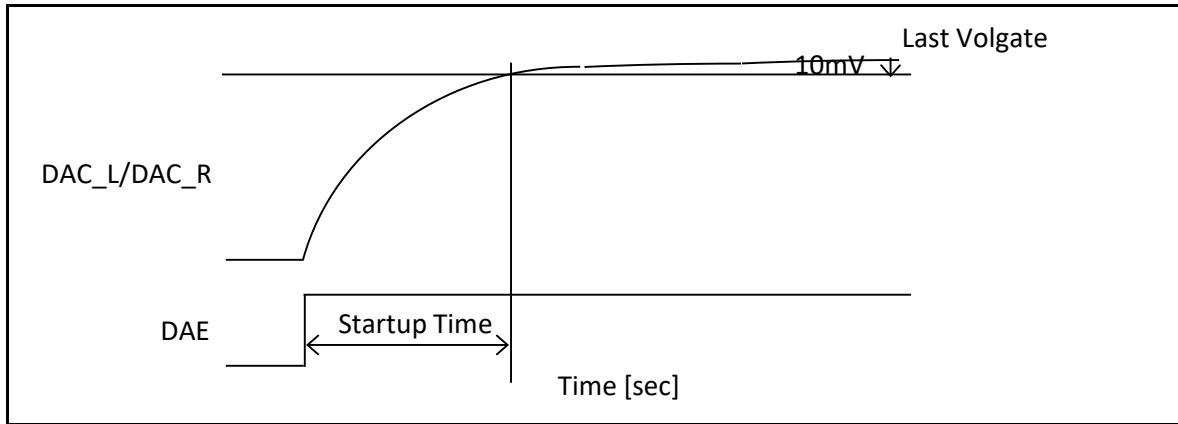
(Condition: See 8.2.Operation Assurance Condition)

| Parameter   | Symbol              | Pin Name                         | Conditions *1   | Value |                    |                  | Unit             | Remarks |
|---|---------------------|----------------------------------|---|-------|--------------------|------------------|------------------|---------|
|   |                     |                                  |   | Min   | Typ                | Max              |                  |         |
| system clock frequency                              | F <sub>CLKDA0</sub> | -                                | -   | 2.048 | -                  | 18.432           | MHz              |         |
| sampling clock                                      | fs                  | -                                | -   | 8     | -                  | 48               | kHz              |         |
| Analog output load resistance *2                    | R <sub>L</sub>      | DAC_L<br>DAC_R                   | -   | 20    | -                  | -                | kΩ               |         |
| Analog output load capacitance *2                   | C <sub>L</sub>      |                                  | -   | -     | -                  | 100              | pF               |         |
| capacitance   | -                   | C <sub>L</sub><br>C <sub>R</sub> | -   | 5     | 10                 | 20               | μF               |         |
| Analog output single-end output range (±full scale) | -                   | DAC_L<br>DAC_R                   | R <sub>L</sub> =20 kΩ<br>C <sub>L</sub> =100 pF                     | -     | 0.673<br>AVCC3_DAC | -                | V <sub>P-P</sub> |         |
| Analog output voltage (zero)                        | -                   |                                  | -   | -     | -                  | 0.5<br>AVCC3_DAC | -                | V       |
| THD+N *3  | -                   | -                                | signal frequency: 1 kHz<br>LPF(fc: 20 kHz)                          | -     | -82                | -72              | dB               |         |
| SNR *3  | -                   | -                                | signal frequency: 1 kHz<br>LPF(fc: 20 kHz)—<br>- A-weighting filter | 85    | 89                 | -                | dB               |         |
| Dynamic range *3                                    | -                   | -                                | - A-weighting filter  | 83    | 86                 | -                | dB               |         |
| Out-of-Band Energy                                  | -                   | -                                | 20 kHz to 64 fs   | -     | -                  | -33              | dB               |         |
| Channel Separation                                  | -                   | -                                | -   | -     | 80                 | -                | dB               |         |
| Output impedance                                    | -                   | -                                | -   | 150   | 200                | 250              | Ω                |         |
| PSRR  | -                   | -                                | digital input: noise 50 Hz  | -     | -35                | -                | dB               |         |
|   |                     |                                  | noise 1 kHz   | -     | -50                | -                | dB               |         |
|   |                     |                                  | zero noise 20 kHz   | -     | -40                | -                | dB               |         |
|   |                     |                                  | digital input: full scale sine                                      | -     | -13                | -                | dB               |         |
| Supply current normal operation                     | -                   | AVCC3_DAC                        | -   | -     | 2.2                | 3.2              | mA               |         |
| Supply current power-down                           | -                   | AVCC3_DAC                        | -   | -     | -                  | 100              | μA               |         |
| Startup Time *4                                     | -                   | -                                | DAE↑  | -     | 650 *5             | -                | ms               |         |

**Notes:**

- \*1: All parameters specified fs=44.1 kHz, system clock 256 fs and 16-bit data, R<sub>L</sub>=20 kΩ, C<sub>L</sub>=100 pF, unless otherwise noted.
- \*2: Refer to below note on R<sub>L</sub> load connection.
- \*3: These values do not include the noise caused by the analog power supply. (Refer to 7. Use examples)
- \*4: 10μF is connected to C<sub>L</sub>, C<sub>R</sub>.
- \*5: Startup time (Figure 8-8)

Figure 8-8: Startup Time



Startup time can be calculated as follows.

1. Startup time (TYP) = 650 [ms] (Table 5.2)
2.  $CCOM = 10\mu F \times (1 \pm \alpha / 100)$

CCOM is a capacitor connected to Terminal C\_L/C\_R including capacitance variance.

$\alpha$  = Capacitance variance [%]

3. Startup time = Start up time (TYP)  $\times$  (1  $\pm$   $\alpha$ ) [ms]

For example, CCOM=11 $\mu$ F then  $\alpha = (11\mu F - 10\mu F) / 10\mu F = 10$ [%]

So, Startup time = 650ms  $\times$  (1 + 10/100) = 715 [ms]

**Notes:**

- Two usages of  $R_L$  load connection.
- Case1:  $R_L$  is connected to AVCC3\_DAC /2 (Figure 8-9)
- Case2: The coupling capacitance must be inserted as shown in (Figure 8-10).

Figure 8-9:  $R_L$  is Connected to AVCC3\_DAC/2 (Example)

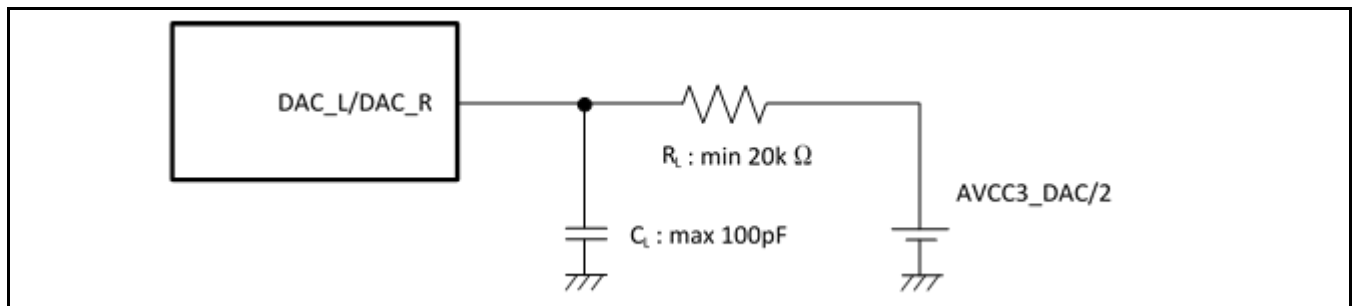
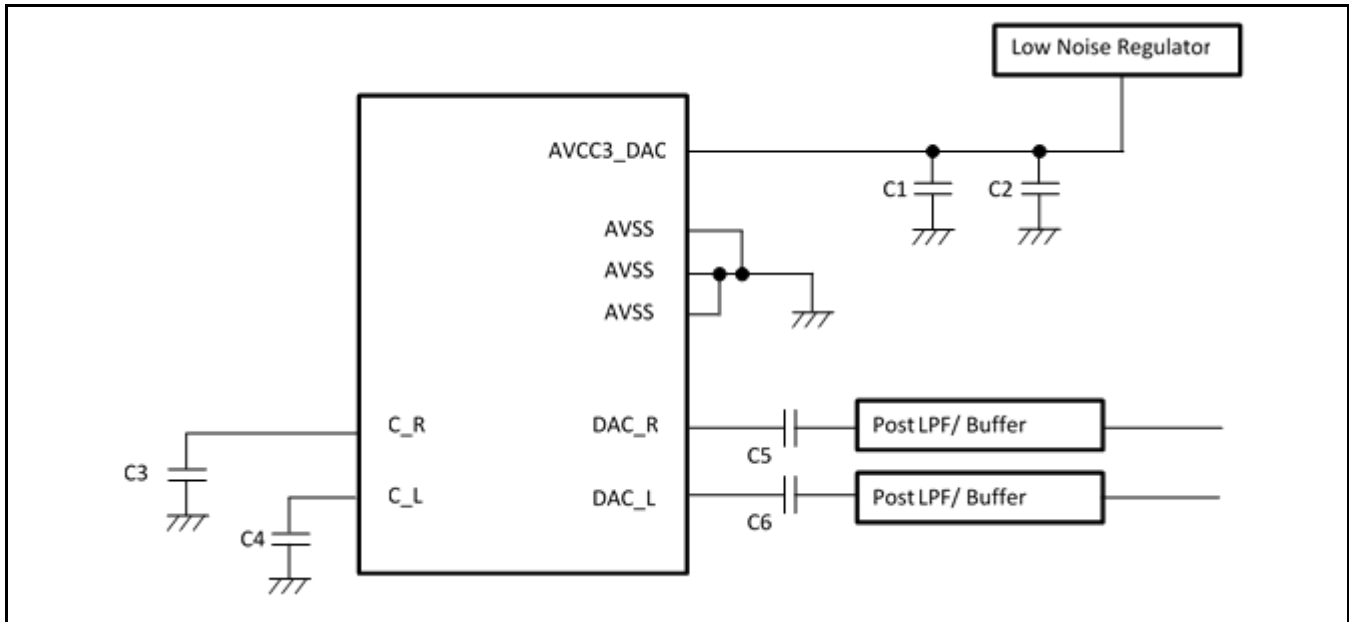


Figure 8-10: Coupling Capacitance (Example)



**Notes:**

- C1: more than 10  $\mu\text{F}$  low ESR capacitors
- C2: 0.1  $\mu\text{F}$  ceramic capacitors
- C3, C4, C5, C6: 10  $\mu\text{F}$  low ESR capacitors
- Impedance of each power line must be as low as possible.

**Notes:**

- When DAC is not used in your system, the related pins should be
- AVCC3\_DAC=GND and AVSS=GND
- C\_L=OPEN and C\_R=OPEN
- DAC\_L=OPEN and DAC\_R=OPEN

## 8.7 Flash Memory

### 8.7.1 Electrical Characteristics

| Parameter  | Value  |     |                   | Unit | Remarks  |
|--|--|-----|-------------------|------|--|
|  | Min  | Typ | Max <sup>*3</sup> |      |  |
| Sector erase time                                  | -  | 300 | 1100              | ms   | 8 kB sector <sup>*1</sup><br>Internal preprogramming time included                         |
|  | -  | 800 | 3700              | ms   | 64 kB sector <sup>*1</sup><br>Internal preprogramming time included                        |
| 8 bit write time                                   | -  | 15  | 288               | μs   | System-level overhead time excluded <sup>*1</sup>  |
| 16 bit write time                                  | -  | 19  | 384               | μs   | System-level overhead time excluded <sup>*1</sup>  |
| 32 bit write time                                  | -  | 27  | 567               | μs   | System-level overhead time excluded <sup>*1</sup>  |
| 64 bit write time                                  | -  | 45  | 945               | μs   | System-level overhead time excluded <sup>*1</sup>  |
| 8 bit (with ECC) write time                        | -  | 19  | 384               | μs   | System-level overhead time excluded <sup>*1</sup>  |
| 16 bit (with ECC) write time                       | -  | 23  | 483               | μs   | System-level overhead time excluded <sup>*1</sup>  |
| 32 bit (with ECC) write time                       | -  | 31  | 651               | μs   | System-level overhead time excluded <sup>*1</sup>  |
| 64 bit (with ECC) write time                       | -  | 49  | 1029              | μs   | System-level overhead time excluded <sup>*1</sup>  |
| Erase count <sup>*2</sup> /<br>Data retention time | 1,000/20 years<br>10,000/10 years<br>100,000/5 years | -   | -                 | -    | Temperature at write/erase time<br>Average temperature T <sub>A</sub> =+85 degrees Celsius |

#### Notes:

- <sup>\*1</sup>: Guaranteed value for up to 100,000 erases
- <sup>\*2</sup>: Number of erases for each sector

#### 8.7.2 Notes

- For revision M, P

While the Flash memory is written or erased, shutdown of the external power (V<sub>CC5</sub> and V<sub>CC12</sub>) is prohibited.

In the application system, where V<sub>CC5</sub> and V<sub>CC12</sub> might be shut down while writing or erasing, be sure to turn the power off by using an external voltage detection function or external reset (RSTX).

For external power supply voltage stability conditions please see chapter 8.4.4.2 and 8.4.10.4.

- For except revision M, P

While the Flash memory is written or erased, shutdown of the external power (V<sub>CC5</sub> and V<sub>CC12</sub>) is prohibited.

In the application system where V<sub>CC5</sub> and V<sub>CC12</sub> might be shut down while writing or erasing, be sure to turn the power off by using an external voltage detection function.

To put it concretely, after the external power supply voltage falls below the detection voltage (V<sub>DL</sub>), hold V<sub>CC5</sub> at 2.7 V or more and V<sub>CC12</sub> at 1.1 V or more within the duration calculated by the following expression:

$$T_d^{*1} [\mu s] + (1 / F_{CRF}^{*2} [MHz]) \times 1029 + 25 [\mu s]$$

<sup>\*1</sup>: See "8.4.10 Low-Voltage Detection"

<sup>\*2</sup>: See "8.4.1 Source Clock "

## 9. Abbreviation

| Abbreviation  | Definition                                | Remark |
|---------------|---|--------|
| A/D converter | Analog to Digital Converter               |        |
| ADC           | Analog to Digital Converter               |        |
| AHB           | Advanced High performance Bus             |        |
| AMBATM        | Advanced Microcontroller Bus Architecture |        |
| APB           | Advanced Peripheral Bus                   |        |
| ATCM          | TCM-A port                                |        |
| AXI           | Advanced eXtensible Interface             |        |
| B0TCM         | TCM B0 port                               |        |
| B1TCM         | TCM B1 port                               |        |
| BBU           | Bit Banding Unit                          |        |
| BDR           | Boot Description Record                   |        |
| BT            | Base Timer                                |        |
| BTL           | Bridge-Tied Load                          |        |
| CAN           | Control Area Network                      |        |
| CD            | Clock Domain                              |        |
| CPU           | Central Processing Unit                   |        |
| CR            | CR Oscillator                             |        |
| CRC           | Cyclic Redundancy Check                   |        |
| CSV           | Clock SuperVisor                          |        |
| DAC           | Digital Analog Converter                  |        |
| DAP           | Debug Access Port                         |        |
| DED           | Dual Error Detection                      |        |
| DMA           | Direct Memory Access                      |        |
| DMAC          | DMA Controller                            |        |
| EAM           | Exclusive Access Memory                   |        |
| ECC           | Error Correction Code                     |        |
| ETM           | Embedded Trace Macro                      |        |
| EXT-IRC       | External InteRrupt Controller             |        |
| FIQ           | Fast Interrupt Request                    |        |
| FPU           | Floating Point Unit                       |        |
| FRT           | Free-Run Timer                            |        |
| GPIO          | General Purpose I/O                       |        |
| HPM           | High Performance Matrix                   |        |
| HW-WDT        | Hardware Watchdog Timer                   |        |
| I/O           | Input or Output                           |        |
| I2S           | Inter-IC Sound                            |        |
| ICU           | Input Capture Unit                        |        |
| IPCU          | Inter-Processor Communication Unit        |        |
| IRC           | InteRrupt Controller                      |        |
| IRQ           | InteRrupt Request                         |        |
| ISR           | Interrupt Service Routine                 |        |
| JTAG          | Joint Test Action Group                   |        |
| LLPP          | Low Latency Peripheral Port               |        |
| LVD           | Low Voltage Detector                      |        |
| MCU           | MicroController Unit                      |        |
| MFS           | Multi-Function Serial interface           |        |
| MLB           | Media LB                                  |        |

| Abbreviation | Definition  | Remark |
|--------------|---|--------|
| NF           | Noise Filter                                      |        |
| NMI          | Non Maskable Interrupt                            |        |
| OCU          | Output Compare Unit                               |        |
| OSC          | OSCillator  |        |
| PCB          | Printed Circuit Board                             |        |
| PCBA         | Printed Circuit Board Assembly                    |        |
| PCM          | Pulse Coded Module                                |        |
| PD           | Power Domain                                      |        |
| PLL          | Phase Locked Loop                                 |        |
| PONR         | Power ON Reset                                    |        |
| PPC          | Port Pin Configuration                            |        |
| PSC          | Power Supply Control                              |        |
| PSS          | Power Saving State                                |        |
| PWM          | Pulse Width Modulation                            |        |
| QPRC         | Quad Position & Revolution Counter                |        |
| RAM          | Random Access Memory                              |        |
| RIC          | Resource Input Configuration                      |        |
| RLT          | Reload Timer                                      |        |
| ROM          | Read Only Memory                                  |        |
| RSDS         | Reduced Swing Differential Signal                 |        |
| RTC          | Real Time Clock                                   |        |
| RVD          | Low Voltage Detection and Reset for RAM Retention |        |
| SCT          | Source Clock Timer                                |        |
| SEC          | Single Error Correction                           |        |
| SECEDED      | Single Error Correction and Dual Error Detection  |        |
| SG           | Sound Generator                                   |        |
| SHE          | Secure Hardware Extension                         |        |
| SMC          | Stepper Motor Controller                          |        |
| SMIX         | Sound Mixer                                       |        |
| SPI          | Serial Peripheral Interface                       |        |
| SRAM         | Static RAM  |        |
| SSCG         | Spread Spectrum Clock Generation                  |        |
| SWFG         | Sound Waveform Generator                          |        |
| SW-WDT       | Software Watchdog Timer                           |        |
| SYSC         | System Controller                                 |        |
| TCFLASH      | FLASH connected to TCM                            |        |
| TCM          | Tightly Coupled Memory                            |        |
| TCRAM        | RAM connected to TCM                              |        |
| TPU          | Timing Protection Unit                            |        |
| TSU          | Time Stamp Unit                                   |        |
| UDC          | Up-down Counter                                   |        |
| VIC          | Vectored Interrupt Controller                     |        |
| VRAM         | Video RAM   |        |
| WDR          | Watchdog Description Record                       |        |
| WDT          | Watchdog Timer                                    |        |
| WFG          | Waveform Generator                                |        |
| WorkFLASH    | Work FLASH Memory                                 |        |

## 10. Ordering Information

**Table 10-1: Order Part Number Table**

| Part Number       | Package                           |
|-------------------|-----------------------------------|
| S6J32BAKSESE2000A | LER208<br>(208-pin plastic TEQFP) |
| S6J323CKSPSE20000 | LET208<br>(208-pin plastic TEQFP) |
| S6J323CLSPSC20000 | LEQ216<br>(216-pin plastic TEQFP) |
| S6J323CLUPSC20000 | LEQ216<br>(216-pin plastic TEQFP) |
| S6J324CKSMSE2000A | LET208<br>(208-pin plastic TEQFP) |
| S6J324CKSPSE20000 | LET208<br>(208-pin plastic TEQFP) |
| S6J324CLSPSC20000 | LEQ216<br>(216-pin plastic TEQFP) |
| S6J325CKSFSE2000A | LET208<br>(208-pin plastic TEQFP) |
| S6J325CKSPSE20000 | LET208<br>(208-pin plastic TEQFP) |
| S6J325CLSPSC20000 | LEQ216<br>(216-pin plastic TEQFP) |
| S6J325CLUPSC20000 | LEQ216<br>(216-pin plastic TEQFP) |
| S6J326CKSPSE20000 | LET208<br>(208-pin plastic TEQFP) |
| S6J326CLSPSC20000 | LEQ216<br>(216-pin plastic TEQFP) |
| S6J327CKSPSE20000 | LET208<br>(208-pin plastic TEQFP) |
| S6J327CLSPSC20000 | LEQ216<br>(216-pin plastic TEQFP) |
| S6J327CLUPSC20000 | LEQ216<br>(216-pin plastic TEQFP) |
| S6J328CKSPSE20000 | LET208<br>(208-pin plastic TEQFP) |
| S6J328CLSPSC20000 | LEQ216<br>(216-pin plastic TEQFP) |
| S6J328CLSPSC2D000 | LEQ216<br>(216-pin plastic TEQFP) |
| S6J329CKSPSE20000 | LET208<br>(208-pin plastic TEQFP) |
| S6J329CKUPSE20000 | LET208<br>(208-pin plastic TEQFP) |
| S6J329CLSPSC20000 | LEQ216<br>(216-pin plastic TEQFP) |
| S6J329CLSPSC2D000 | LEQ216<br>(216-pin plastic TEQFP) |
| S6J329CLUPSC20000 | LEQ216<br>(216-pin plastic TEQFP) |
| S6J32KEKSMSE20000 | LET208<br>(208-pin plastic TEQFP) |
| S6J32KELSMSC20000 | LEQ216<br>(216-pin plastic TEQFP) |
| S6J32LEKSMSE20000 | LET208<br>(208-pin plastic TEQFP) |
| S6J32LELSMSC20000 | LEQ216<br>(216-pin plastic TEQFP) |

| Part Number       | Package                           |
|-------------------|-----------------------------------|
| S6J32MEKSMSE20000 | LET208<br>(208-pin plastic TEQFP) |
| S6J32MELSMSC20000 | LEQ216<br>(216-pin plastic TEQFP) |
| S6J32NEKSMSE20000 | LET208<br>(208-pin plastic TEQFP) |
| S6J32NELSMSC20000 | LEQ216<br>(216-pin plastic TEQFP) |

\*1 TEQFP-256 is for trace.

## 11. Errata

This section describes the errata for the S6J3200 Series. Details include errata trigger conditions, scope of impact, available workarounds, and silicon revision applicability. Contact your local Cypress Sales Representative if you have questions.

### Part Numbers Affected

| Part Number    |
|----------------|
| S6J32BAxSE     |
| S6J323CxxM/P   |
| S6J324CxSM/P   |
| S6J325CxxF/M/P |
| S6J326CxSM/P   |
| S6J327CxxM/P   |
| S6J328CxSM/P   |
| S6J329CxxM/P   |
| S6J32KExSM     |
| S6J32LExSM     |
| S6J32MExSM     |
| S6J32NExSM     |

### S6J32B/3/4/5/6/7/8/9/K/L/M/N Qualification Status

Product Status: Production

### Errata Summary

The following table defines the errata applicability to available S6J3200 Series devices.

| Items   | Part Number  | Fix Status              |
|---|--|-------------------------|
| 1. MCAN wrong message transmission  | S6J32BAxSE<br>S6J323CxxM/P<br>S6J324CxSM/P<br>S6J325CxxF/M/P<br>S6J326CxSM/P<br>S6J327CxxM/P<br>S6J328CxSM/P<br>S6J329CxxM/P<br>S6J32KExSM<br>S6J32LExSM<br>S6J32MExSM<br>S6J32NExSM | No silicon fix planned. |
| 2. CAN FD controller message order inversion when transmitting from dedicated Tx Buffers configured with same Message ID                                |  |                         |
| 3. CAN FD incomplete description of Dedicated Tx Buffers and Tx Queue related to transmission from multiple buffers configured with the same Message ID |  |                         |

## 1. MCAN wrong message transmission

### ■ Problem Definition

There is a possibility a message with an ID (arbitration field) and a format and DLC (control field) is transmitted which was not configured by the application. The message itself is syntactically correct and can be received by other nodes.

The occurrence of the limitation requires a certain relationship in time between a transmission request for sending a message and the coincidence of noise in the 3rd bit of intermission field which is treated as the start of new message transmission (SoF).

### ■ Trigger Condition

Under the following conditions a message with wrong ID, format and DLC is transmitted:

- M\_CAN is in state "Receiver" (PSR.ACT = "10"), no pending transmission.
- A new transmission is requested after sample point of 2nd bit of intermission but before the 3rd bit of Intermission is reached.
- The CAN bus is sampled dominant at the third bit of Intermission which is treated as SoF (see ISO11898-1:2015 Section 10.4.2.2).

### ■ Scope of Impact

Under the conditions listed above it may happen, that:

- The shift register is not loaded with ID, format, and DLC of the requested message.
- The M\_CAN will start arbitration with wrong ID, format, and DLC.
- In case the ID won arbitration, a CAN message with valid CRC is transmitted.
- In case this message is acknowledged, the ID stored in the Tx Event FIFO is the ID of the requested Tx message and not the ID of the message transmitted on the CAN bus
- Neither an error is detected by the transmitting node nor at the receiving node.

### ■ Workaround

#### Workaround 1:

This workaround avoids submitting a transmission request in the critical time window of about one bit time before the sample point of the 3<sup>rd</sup> bit of intermission field when on other pending transmission request exists:

- Request a new transmission if another transmission is already pending or when the M\_CAN / M\_TTCAN is not in state "Receiver" (when PSR.ACT ≠ "10").
- If no pending transmission request exists, the application software needs to evaluate the Rx Interrupt flags IR.DRX, IR.RF0N, IR.RF1N which are set at the last bit of EoF when a received and accepted message gets valid.
- A new transmission may be requested by writing to TXBAR once the Rx interrupt occurred and the application waited another 3 bit times before submitting its Tx request. Note the Rx interrupt is generated at the last bit of EoF which is followed by three bits of Intermission.
- The application has to take care that the transmission request for the CAN Protocol Controller is activated before the critical window of the following reception is reached.

A supplemental action can be applied in order to detect messages which contain wrong ID and control field information:

- A checksum covering arbitration and control fields can be added to the data field of the message to be transmitted, to detect frames transmitted with wrong arbitration and control fields.

**Workaround 2:**

This workaround ensures that always at least one pending Tx request exists. If that is the case, the application may launch its Tx requests at any time without suffering from the limitation.

- Define a low priority message with DLC = 0 that can be sent without harm. E.g. loses arbitration against all other application messages, does not pass any acceptance filter of nodes in the same network. DLC = 0 shall reduce latency for other application messages.
- Configure sufficient Tx buffers – at least two - for this message type thus that there is always another one waiting to be sent. E.g. an application that cannot react quickly enough with the time a single message of this type is sent, more than 2 Tx buffer may become necessary.
- The application uses the standard interfaces of the CAN / CAN FD stack to feed these messages.
- Whenever Tx confirmation is indicated for the second but last message of this type with pending Tx request, the application needs to submit at least one new Tx request. Note Tx confirmation is a standard feature in the AUTOSAR SW architecture.
- Before initially leaving INIT state of the M\_CAN IP by clearing CCCR.INIT bit, make sure to activate a Tx request after having cleared CCCR.CCE. This will ensure that the conditions for the occurrence of the limitation when synchronizing to the CAN bus the first time after RESET are prevented.

**■ Fix Status**

Not be planned.

**2. CAN FD controller message order inversion when transmitting from dedicated Tx Buffers configured with same Message ID****■ Problem Definition**

CAN FD controller message order inversion when multiple Tx Buffers that are configured with the same Message ID have pending Tx requests.

**■ Configuration**

Several Tx Buffers are configured with the same Message ID. Transmission of these Tx Buffers is requested sequentially with a delay between the individual Tx requests.

**■ Expected behavior**

When multiple Tx Buffers that are configured with the same Message ID have pending Tx requests, they shall be transmitted in ascending order of their Tx Buffer numbers. The Tx Buffer with lowest buffer number and pending Tx request is transmitted first.

**■ Observed behavior**

It may happen, depending on the delay between the individual Tx requests, that multiple Tx Buffers are configured with the same Message ID the Tx Buffers are not transmitted in order of the Tx Buffer number (lowest number first).

**■ Workaround**

First, write the group of Tx messages with the same Message ID to the Message RAM and then request transmission of all these messages concurrently by a single write access to TXBAR. Before requesting a group of Tx messages with this Message ID, ensure that no message with this Message ID has a pending Tx request.

Applications not able to use the above workaround can implement a counter within the data section of their messages sent with same ID in order to allow the recipients to determine the correct sending sequence.

■ **Fix Status**

Not be planned

**3. CAN FD incomplete description of Dedicated Tx Buffers and Tx Queue related to transmission from multiple buffers configured with the same Message ID**

■ **Problem Definition**

There was an incomplete description related to transmission from multiple buffers configured with the same Message ID in Section 3.5.2 Dedicated Tx Buffers and Section 3.5.4 Tx Queue of the Hardware Manual.

■ **Detailed explanation**

The following is the updated description in Section 3.5.2 Dedicated Tx Buffers and Section 3.5.4 Tx Queue of the Hardware Manual.

**Section 3.5.2 Dedicated Tx Buffers:**

- Original content in the Hardware Manual:

In case that multiple Tx Buffers are configured with the same Message ID, the Tx Buffer with the lowest buffer number is transmitted first.

- Enhancement:

These Tx buffers shall be requested in ascending order with the lowest buffer number first. Alternatively, all Tx buffers configured with the same Message ID can be requested simultaneously by a single write access to TXBAR.

**Section 3.5.4 Tx Queue:**

- Original content in the Hardware Manual:

In case that multiple Queue Buffers are configured with the same Message ID, the Queue Buffer with the lowest buffer number is transmitted first.

- Replacement:

In case that multiple Tx Queue buffers are configured with the same Message ID, the transmission order depends on the numbers of the buffers where the messages were stored for transmission. As these buffer numbers depend on the then current states of the PUT index, a prediction of the transmission order is not possible.

- Original content in the Hardware Manual:

An Add Request cyclically increments the Put Index to the next free Tx Buffer.

- Replacement:

The Put Index always points to that free buffer of the Tx Queue with the lowest buffer number.

■ **Workaround**

In case a defined order of transmission is required, the Tx FIFO shall be used for transmission of messages with the same Message ID. Alternatively dedicated Tx buffers with the same Message ID shall be requested in ascending order with the lowest buffer number first or by a single write access to TXBAR. Alternatively, a single Tx Buffer can be used to transmit those messages one after the other.

**■ Fix Status**

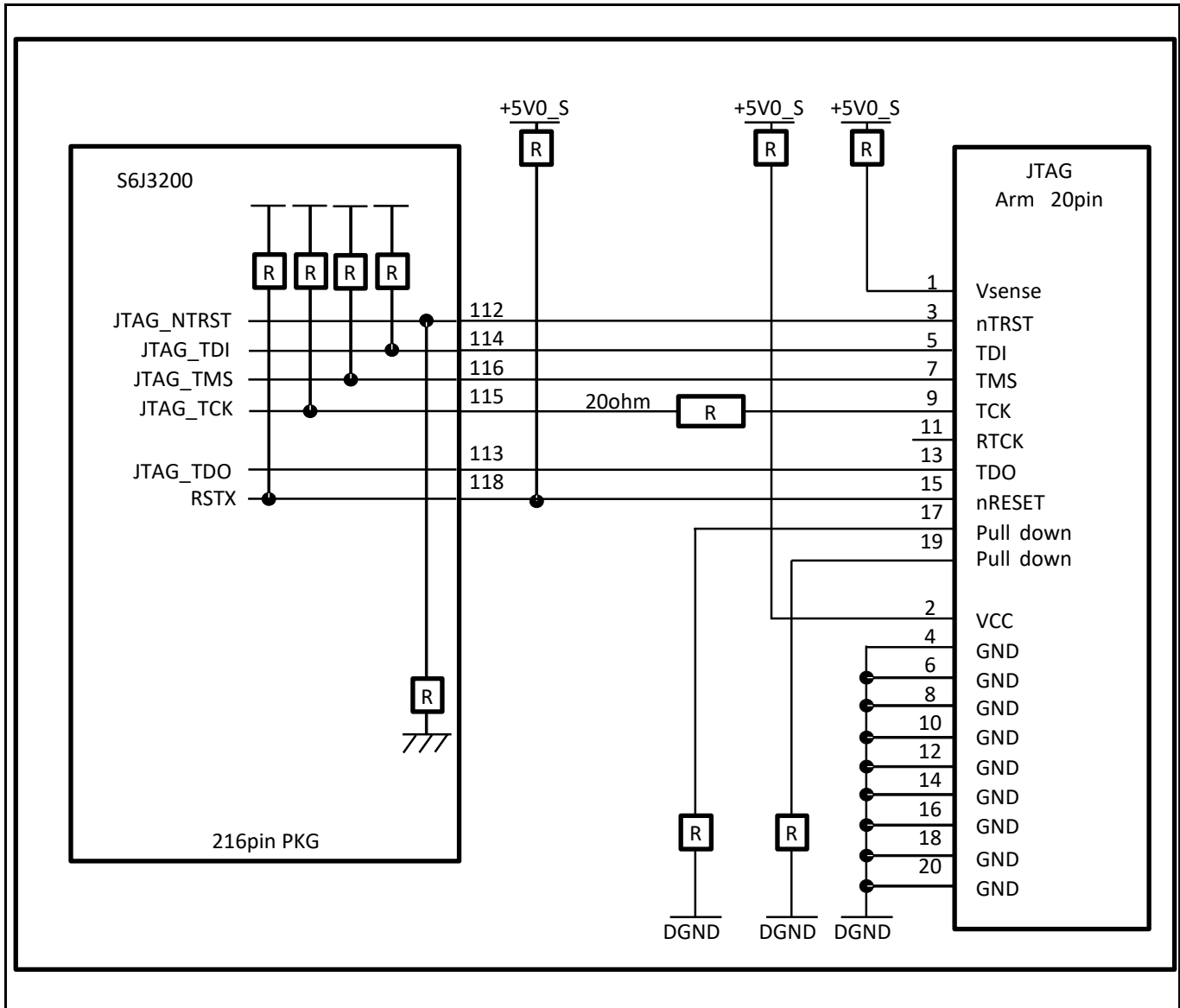
No silicon fix planned. Use workaround.

Hardware Manual will be updated accordingly.

## 12. Appendix

### 12.1 Application 1: JTAG tool Connection

This is an application example of JTAG tool connection. See the relevant application note 002-09861 in detail.



### 13. Major Changes

Spancion Publication Number: S6J3200\_DS708-00003

| Page             | Section    | Change Results   |
|------------------|------------|--|
| Revision 0.1     |            |  |
| -                | -          | Initial release  |
| Revision 0.2     |            |  |
| -                | -          | See 11.1 Supplementary Information as described in "1.Overview 1.2. Document Definition"   |
| Revision 0.3     |            |  |
| -                | -          | See 11.1 Supplementary Information as described in "1.Overview 1.2. Document Definition"   |
| Revision 0.4     |            |  |
| -                | -          | See 11.1 Supplementary Information as described in "1.Overview 1.2. Document Definition"   |
| Revision 1.0     |            |  |
| -                | -          | See 11.1 Supplementary Information as described in "1.Overview 1.2. Document Definition"   |
| Revision *O      |            |  |
| 185,187, 188     | 11. Errata | Added about CAN FD controller message order inversion when transmitting from dedicated Tx Buffers configured with same Message ID                                |
| Revision *Q      |            |  |
| 185,187, 188,189 | 11. Errata | Added about CAN FD incomplete description of Dedicated Tx Buffers and Tx Queue related to transmission from multiple buffers configured with the same Message ID |

**NOTE: Please see "Document History" about later revised information.**

#### 13.1 Supplementary Information

All the changes between previous and current document edition are described in this sheet.

Following "ID" is a number which is owned by every change. A change which is applied to other documents of same family should have a same ID.

| Summary  | Error Page | Error   | Correct Page | Correct   | ID   |
|--|------------|---|--------------|---|------|
| Original document code: DS708-00003-0v02-E, Previous document code: DS708-00003-0v01-E |            |   |              |   |      |
| Rev. 1.0 December 26, 2014   |            |   |              |   |      |
| Pin assignment   | 22, 23     | (Relation on pin assignment)<br>  Function  PORT   <br>  MFS8_CS0  P3_08  <br>  MFS9_CS0  P3_09  <br>  MFS9_CS1  P3_10  <br>  MFS8_CS3  P3_11  <br>  MFS8_CS1  P3_12  <br>  MFS8_CS2  P3_13 | 22, 23       | (Relation on pin assignment)<br>  Function  PORT   <br>  MFS8_CS0  P3_12  <br>  MFS9_CS0  P3_13  <br>  MFS9_CS1  P3_14  <br>  MFS8_CS3  P3_15  <br>  MFS8_CS1  P3_16  <br>  MFS8_CS2  P3_17 | #150 |

| Summary                         | Error Page | Error  | Correct Page | Correct  | ID   |
|---------------------------------|------------|--|--------------|--|------|
| I2S port name                   | 22,23      | I2S1_WS1<br>I2S1_SCK1  | 22,23        | I2S1_WS<br>I2S1_SCK  | #190 |
| Ethernet port name              | 22,23      | RDX0, RDX1, RDX2, RDX3   | 22,23        | RXD0, RXD1, RXD2, RXD3   | #191 |
| Vcc12 power supply              | 62         | Vss12:<br>1.15(min), 1.3(max)  | 62           | Vss12:<br>1.15(min), 1.3(max)<br>1.1(min)*1, 1.3(max)<br>– *1. The value will be for the product series with revision digit B.   | #169 |
| Current consumption             | 69         | ICC12: -(typ), 1900(max)<br>ICCT5: -(typ), 2620(max)<br>ICCH5: -(typ), 2620(max) | 68           | ICC12: 950(typ),1900(max)<br>ICCT5: 350(typ),700(max)<br>ICCH5: 150(typ),450(max)  | #170 |
| Vcc5 current consumption        | 69         | ICC5 Normal operation 60mA(max)  | 68           | ICC5 Normal operation 45mA(typ), 75mA(max)   | #181 |
| Current consumption of FPD link | 69         | -  | 68           | ILVDS:<br>VCC3_LVDS_Tx,AVCC3_LVDS_PLL:<br>70mA (FPD-Link)  | #204 |
| Source clock error              | 72         | Note:<br>- ""<br>- Jitter of source oscillator must be smaller than 300ppm.      | 71           | Note:<br>- ""<br>- The error of source oscillator frequency must be smaller than 300ppm.   | #178 |
| Trace clock                     | 74, 75     | FCLK_TRC: 50MHz  | 73, 74       | FCLK_TRC: 100MHzNote;- FCLK_TRC/2 (half frequency of FCLK_TRC) comes out of the trace clock port of package external pin.  | #182 |
| Internal clock frequency        | 75         | Notes;<br>- ""   | 74           | Notes;<br>- ""<br>- Even if a combination of clock frequency is able to be configured by software, the frequency should be configured under maximum frequency described in Table. For example, 80MHz of CLK_LCP0A seems to be configurable from both divided 240MHz and 160MHz of CLK_CPU. But each duty ratio of configured 80MHz as an internal signal is different from one another. In this series, the 80MHz from the 160MHz divided by 2 can only be assured, but the 240MHz divided by 3 cannot be assured from the internal timing design point of view. | #180 |

| Summary                             | Error Page | Error  | Correct Page | Correct  | ID   |
|-------------------------------------|------------|--|--------------|--|------|
| Power On condition                  | 79         | Level detection voltage: 2.25(min) 2.45(typ) 2.65(max)   | 78           | Level detection voltage: 2.15(min) 2.35(typ) 2.55(max)<br>Reset release voltage: 2.25(min) 2.45(typ) 2.65(max)   | #138 |
| Display controller AC specification | 101        | Display controller0 Timing (TTL mode)tDC0CYC:12.5ns (min) tDC0D :- (Remarks)tDC0V:- (Remarks)Notes:- ,,,Display controller0 Timing (RSDS) tRSD :- (Remarks)tSPV:- (Remarks)Notes:- ,,, | 100          | Display controller0 Timing (TTL mode)tDC0CYC:12.5ns (min) *120ns(min) *2 tDC0D :*3 (Remarks)tDC0V:*1, *4 (Remarks)Notes:- ,,,— For *1, when used with DSP0_DATA* and DSP0_CTRL4-0 in VCC3 area.— For *2, when used with DSP0_DATA* and DSP0_CTRL4-0 in VCC53 area.— For *3, the value can be configured and adjusted.— For *4, the value is defined as tDC0CYC -  tDC0D  and depends on adjustment of *3.Display controller0 Timing (RSDS) tRSD :*1 (Remarks)tSPV:*2 (Remarks)Notes:- ,,,— For *1, the value can be configured and adjusted.— For *2, the value is defined as tDC0CYC -  tDC0D  and depends on adjustment of *1. | #187 |
| Video Capture                       | 104        | TCAP0CYC: 11.11ns (min)<br>tCAP0SU: 2ns (min)  | 103          | TCAP0CYC: 12.5ns (min)<br>tCAP0SU: 4ns (min)   | #188 |

| Summary   | Error Page | Error | Correct Page | Correct   | ID   |
|---|------------|-------|--------------|---|------|
| Note of NC pins, LVDS pins, and other no-used pin | 105        | -     | 104          | Note:— All the corresponding ports of products which don't support FPD-Link should be connected to GND.AVCC3_LVDS_PLL, AVSS3_LVDS_PLL, VCC3_LVDS_Tx, VSS3_LVDS_Tx, TxDOUn+/-. | #143 |
| FPD-Link timing chart                             | 105        | -     | 105, 106     | Figure: LVDS AC characteristics (Timing chart)  | #183 |

| Summary                   | Error Page | Error  | Correct Page | Correct   | ID   |
|---------------------------|------------|--|--------------|-----------|------|
| HyperBus AC specification | 108-112    | <p>16-1 (3 items)<br/>           CS ↓ -&gt; RDS ↓ Chip select active to RDS valid (Low):<br/>           CS ↑ -&gt; RDS(Hi-z) Chip select Inactive to RDS High-Z:<br/>           CS ↑ -&gt; CS ↓ Chip select HIGH between operation:</p> <p>16-2 (4 items)<br/>           CS ↑ -&gt; CS ↓ Chip select HIGH between transaction:<br/>           CS ↓ -&gt; CS ↑ Chip select maximum LOW time:<br/>           Read-Writer recovery time :<br/>           CK ↓ -&gt; CK ↓ (4th) Page open time :</p> <p>16-3 (7 items)<br/>           Read Initial Access Time :<br/>           CS ↑ ↓ -&gt; CK ↑ Chip select active to RDS valid (Low):<br/>           CS ↑ -&gt; RDS(Hi-Z) Chip select Inactive to RDS High-Z:<br/>           CK ↑ ↓ -&gt; DQ (Low Z) Clock to DQs Low Z:<br/>           CS ↑ -&gt; DQ (Hi-Z) Chip select Inactive to DQs High-Z:<br/>           CK ↑ ↓ -&gt; RDS ↑ ↓ CK transition to RDS transition:<br/>           CS ↑ -&gt; CS ↓ Chip select HIGH between Operation:</p> <p>16-4 (8 items)<br/>           CK ↓ -&gt; CK ↓ (4th) Page open time:<br/>           CS ↑ -&gt; RWDS(Hi-Z) Chip select Inactive to RWDS High-Z:<br/>           CK ↑ ↓ -&gt; DQ (Low Z) Clock to DQs Low Z:<br/>           CS ↑ -&gt; DQ (Hi-Z) Chip select Inactive to DQs High-Z:<br/>           CK ↑ ↓ -&gt; RWDS ↑ ↓ CK transition to RWDS transition:<br/>           CS ↑ -&gt; CS ↓ Chip select HIGH between Transition:<br/>           CS ↓ -&gt; CS ↑ Chip select maximum LOW time:<br/>           Read-Writer recovery time</p> | 109-112      | (Removed) | #173 |

| Summary                   | Error Page | Error  | Correct Page | Correct   | ID   |
|---------------------------|------------|--|--------------|---|------|
| HyperBus AC specification | 108, 109   | tCKCYC: 12.5ns(min)tCSS:3ns (min)tIS:1.25ns (min)tCSH:1.25ns (min)Notes;- ,,,,           | 109,110      | tCKCYC: 12.5ns(min) (A)10ns(min) (B)tCSS:3.25ns (max) (A)2ns (max) (B)tIS:5.25ns (max) (A)4ns (max) (B)tCSH:1ns (min)Notes;- ,,,, - (A): The value will be targeted by the product series with revision digit A. - (B): The value will be targeted by the product series with revision digit B. | #184 |
| HyperBus AC specification | 109        | tDMV: 0ns (min)<br><br>Notes; - ,,,,   | 110          | tDMV: 5.25ns (max) (A) 4ns (max) (B)<br><br>Notes; - ,,,, - (A): The value will be targeted by the product series with revision digit A. - (B): The value will be targeted by the product series with revision digit B.   | #185 |
| HyperBus AC specification | 110,111    | tRDSCYC:12.5ns (min)tDSS:-0.8ns (min)0.8ns (max)tDSH:-0.8ns (min)0.8ns (max)Notes;- ,,,, | 111,112      | tRDSCYC:12.5ns (min) (A)10ns (min) (B)tDSS:-0.8ns (min)- (max)tDSH:-4.2ns (min)- (max)Notes;- ,,,, - (A): The value will be targeted by the product series with revision digit A. - (B): The value will be targeted by the product series with revision digit B.                                | #186 |

| Summary  | Error Page | Error   | Correct Page | Correct   | ID   |
|--|------------|---|--------------|---|------|
| Original document code: DS708-00003-0v02-E, Previous document code: DS708-00003-0v01-E |            |   |              |   |      |
| Rev. 2.0 May 20, 2015  |            |   |              |   |      |
| Note for Basic Option  | 11         | Notes;<br>- ,,,   | 11           | Notes;<br>- ,,,<br>- The CLK_CPU is assigned for CPU clock. The CLK_CD3A0 is assigned for Graphic clock. They are defined at the chapter of Clock Configuration.  | #194 |
| Power domain reset   | 15         | -   | 15           | Power domain (PD):<br>----<br>See the platform manual and chapter STATE TRANSITION in detail.<br>The product series supports the power off control of PD1, PD2 (including PD3 and 5), and PD6.<br>The power domain resets of PD3 and PD5 included in PD2 are not supported in the product series, and "0" is always read from the reset factor flags of them. | #175 |
| Original document code: DS708-00003-0v03-E, Previous document code: DS708-00003-0v02-E |            |   |              |   |      |
| Rev. 1.0 May 20, 2015  |            |   |              |   |      |
| Display output   | 10         | Number of display outputs:<br>2 outputs simultaneously<br>Selectable from 2 x DRGB, 1 x RSDS, or 1 x LVDS (FPD-Link)  | 10           | Number of display outputs:<br>Option<br>Maximum 2 outputs simultaneously  | #210 |
| Display output   | 11         | Notes;- ,,,,- ,,,,  | 12           | Notes;- ,,,,- ,,,,- Display Output ch.0 is used for RSDS and FPD-LINK (LVDS) as well as DRGB (Digital RGB). The ch.0 of the product which doesn't support FPD-LINK is used for RSDS and DRGB.<br>Display Output ch.1 is used for DRGB only.   | #211 |
| Revision B description   | 11         | Note:<br>- ,,,<br>- The function digit A, B, C, and D supports Hyper SRAM. Its 3, 4, 5, and 6 doesn't support Hyper SRAM. Hyper Bus interface ch.2 on graphic sub system will be embedded on product which is specified with function digit 7and 8 after revision B. Revision A only has ch.0 and 1 of Hyper Bus interface. | 12           | Note:<br>- ,,,<br>- HyperBus Interface ch.1 of the function digit 3, 4, 5, and 6 support HyperRAM after Revision B.   | #267 |

| Summary                            | Error Page | Error  | Correct Page | Correct  | ID   |
|------------------------------------|------------|--|--------------|--|------|
| CHIP ID information                | 12         | -  | 12           | Function digit: A, B, C, D<br>Revision B:<br>Chip ID: 0x10110000<br>JTAG ID: 0x100095CF  | #140 |
| Clock Supervisor output function   | 15         | -  | 15           | Clock Supervisor: See the platform manual in detail.<br>This product series doesn't support clock supervisor output port. (Related register and internal circuit is implemented.)  | #224 |
| CR oscillation stabilization time  | 15         | -  | 15           | Embedded CR oscillation<br>See the platform manual in detail.<br>Stabilization time is as followings.<br>- 5us for 4MHz (Fast clock)<br>- 20us for 100kHz (Slow clock)   | #259 |
| MOST physical channel              | 19         | MediaLB:<br>---<br>MOST25 (512FS)<br>3 wires<br>Maximum 15ch is available. (1ch is occupied by the system)   | 19           | MediaLB:<br>---<br>MOST25 (512FS)<br>3 wires<br>Maximum 15ch is available.   | #128 |
| Pin assignment                     | 23, 25     | -  | 24, 27       | (Figures are added)  | #141 |
| IO type                            | 29         | -  | 31           | (X0 and X1 symbol are added in figure.)  | #253 |
| Absolute Maximum Rating            | 59,60      | IOL3,,, When setting is 5 mA*9IOLAV3,,,<br>When setting is 5 mA*9ΣIOL2 50mA<br>*7ΣIOL3 250mA *8IOH3,,, When setting is 5<br>mA*9IOHAV3,,, When setting is 5<br>mA*9ΣIOH2 -50mA *7ΣIOH3 -250mA *8 | 61,62        | IOL3,,, When setting is 5 mA*6, *7, *8,<br>*9IOLAV3,,, When setting is 5 mA*6, *7,<br>*8, *9ΣIOL2 250mA *7ΣIOL3 50mA<br>*8IOH3,,, When setting is 5 mA*6, *7, *8,<br>*9IOHAV3,,, When setting is 5 mA*6, *7,<br>*8, *9ΣIOH2 -250mA *7ΣIOH3 -50mA *8  | #234 |
| 8kB Backup RAM Current Consumption | 68         | -  | 70           | ICCT5:<br>345uA(typ),675uA(max):When shutting down 8kB Backup RAM.<br>450uA(typ),820uA(max):Power only supplies to Backup RAM and system controllers. When using 8MHz crystal for main oscillator.<br>445uA(typ),795uA(max):When shutting down 8kB Backup RAM.<br><br>ICCH5:<br>145uA(typ),425uA(max):When shutting down 8kB Backup RAM. | #206 |

| Summary                    | Error Page | Error  | Correct Page | Correct   | ID   |
|----------------------------|------------|--|--------------|---|------|
| DC characterization of PSS | 68         | ICCT5: Timer mode<br>ICCH5: Stop mode<br><br>Notes:<br>- ""                              | 70           | ICCT5: PSS Timer mode Shutdown (PD6=OFF)<br>ICCH5: PSS Stop mode Shutdown<br><br>Notes:<br>- ""<br>- The definition of timer mode and stop mode can be seen at the chapter of STATE transition of S6J3200 hardware manual.  | #214 |
| Current consumption        | 68         | Icc12 -(typ) 1700mA(max):CPU:160MHz, HPM:80MHz, GDC:160MHz                               | 70           | Icc12 900(typ)<br>1700mA(max):CPU:160MHz, HPM:80MHz, GDC:160MHz   | #260 |
| Oscillator frequency range | 71         | Source oscillation clock frequency: X0, X1: 3.6MHz(min), 4.0MHz(max)<br><br>Notes:<br>"" | 73           | Source oscillation clock frequency: X0, X1: 3.6MHz(min), 16MHz(max)<br><br>Notes:<br>""<br>- Enough evaluation and adjustment are recommended using oscillator on your system board.  | #230 |
| PLL/SSCG maximum frequency | 73         | -  | 75, 76       | FSSCG0:480,800(400),640,640 MHz, SSCG0 output<br>clockFSSCG1:800(400),800(400), 800(400),800(400) MHz, SSCG1 output<br>clockFSSCG2:800(400),800(400), 800(400),640 MHz, SSCG2 output<br>clockFSSCG3:800,800,800,800 MHz, SSCG3 output<br>clockFPLL0:720,800,800,640 MHz, PLL0 output<br>clockFPLL1:800,800,800,640 MHz, PLL1 output<br>clockFPLL2:800(400),800(400),800(400), 800 MHz, PLL2 output<br>clockFPLL3:480,480,480,480 MHz, PLL3 output<br>clockNotes:- "", - The frequency described in () is not maximum value but recommended configuration value. | #208 |
| Minimum PLL/SSCG frequency | 74         | Note:<br>- ""<br>- ""  | 76           | Note:<br>- ""<br>- ""<br>- The configurable minimum frequency of PLLn and SSCGn output is 400MHz.   | #219 |
| CAN clock frequency        | 74         | -  | 76           | FCLK_CAN 40MHz(Max)   | #222 |

| Summary                      | Error Page | Error  | Correct Page | Correct   | ID   |
|------------------------------|------------|--|--------------|---|------|
| "Unused" clock configuration | 74         | Notes:<br>""<br>""   | 76           | Notes:<br>""<br>""<br>- "Unused" means a clock source which doesn't have any supply destinations. Configure it as disable with performing at the lower clock frequency than the described maximum.  | #229 |
| Output short circuit current | 104        | Output short circuit current IOS:  | 106          | (Removed)   | #203 |
| AC spec of DDRHSSPI          | 107,108    | [SDR mode]<br>todata: 6.5ns (max)<br>tohddata: 3.5ns (min)<br>todsel: 5.5ns (max)<br>tohsel: 4.5ns (min)<br><br>[DDR mode]<br>todata: 6.5ns (max)<br>todsel: 7.0ns (max) | 109, 110     | [SDR mode]<br>todata: tcyc/2 + 2ns (max)<br>tohddata: 2.0ns (min)<br>todsel: -12.0ns + (SS2CD+0.5)*tcyc ns (min)<br>tohsel: 3.5ns (min)<br><br>[DDR mode]<br>todata: tcyc/4 + 1.5ns (max)<br>todsel: -15.75ns + (SS2CD+0.5)*tcyc ns (min)<br><br>Notes:<br>- This is target spec.<br>- SS2CD [1:0] should be configured as 01, 10, or 11. | #164 |
| SDR/DDR (HSSPI) remark       | 107,108    | Remark:tcyc -3.5nstcyc -4.5nstcyc/2-1.5nstcyc -3.0ns   | 109,110      | (Delete)  | #232 |
| ADC trigger input            | 119        | -  | 121          | A/D trigger input time:ADTRG<br>4tCLK_LCP1A ns (min) 4tCLK_LCP1A ≥ 100ns<br>100 ns (min) 4tCLK_LCP1A < 100ns  | #231 |
| ADC resumption time          | 119        | -  | 121          | Resumption time: 1us(max)   | #239 |

| Summary  | Error Page | Error                                    | Correct Page                   | Correct   | ID   |
|--|------------|--|--------------------------------|---|------|
| Original document code: DS708-00003-0v04-E, Previous document code: DS708-00003-0v03-E |            |  |                                |   |      |
| Rev. 1.0 June 30, 2015   |            |  |                                |   |      |
| FPD-Link port definition   | 45         | -  | 60-61                          | <p>TxCLK- LVDS clock output pin: Described as TXOUT4M in FPD-Link Converter</p> <p>TxCLK+ LVDS clock output pin: Described as TXOUT4P in FPD-Link Converter</p> <p>TxDOUT0- LVDS data output pin: Described as TXOUT0M in FPD-Link Converter</p> <p>TxDOUT0+ LVDS data output pin: Described as TXOUT0P in FPD-Link Converter</p> <p>TxDOUT1- LVDS data output pin: Described as TXOUT1M in FPD-Link Converter</p> <p>TxDOUT1+ LVDS data output pin: Described as TXOUT1P in FPD-Link Converter</p> <p>TxDOUT2- LVDS data output pin: Described as TXOUT2M in FPD-Link Converter</p> <p>TxDOUT2+ LVDS data output pin: Described as TXOUT2P in FPD-Link Converter</p> <p>TxDOUT3- LVDS data output pin: Described as TXOUT3M in FPD-Link Converter</p> <p>TxDOUT3+ LVDS data output pin: Described as TXOUT3P in FPD-Link Converter</p> | #146 |
| Non support port   | 21, 23     | -  | 25, 27, 28, 29, 32, 34, 35, 36 | (Added the Note for non-supported pin condition on PCB)   | #215 |
| Current consumption of FPD link  | 70         | VCC3_LVDS_Tx, AVCC3_LVDS_PLL: 70 mA(max) | 92                             | VCC3_LVDS_TX: 56mA(max)<br>AVCC3_LVDS_PLL: 7mA(max)   | #246 |
| AVcc and AVRH description  | 58         | (AVCC0, AVCC1, AVRH0, and AVRH1)         | 73                             | (AVCC,AVRH)   | #250 |
| TEQFP256 support   | 11         | Pin count N:320                          | 12                             | Pin count M:256   | #272 |

| Summary          | Error Page | Error  | Correct Page | Correct   | ID   |
|------------------|------------|--|--------------|---|------|
| TEQFP256 support | 13, 14     | BGA320<br>Notes:<br>- ""<br>- BGA is a package option under planning.  | 15, 16       | TEQFP256<br>Notes:<br>- ""<br>- TEQFP-256 is a package option under planning.   | #273 |
| TEQFP256 support | 17         | A/D Converter: 50 channels of analog input for TEQFP216,,,24 channels of them are shared with the SMC for TEQFP216/208 | 19           | A/D Converter: 50 channels of analog input for TEQFP256 and TEQPF216,,,24 channels of them are shared with the SMC for TEQFP256/216/208 | #274 |
| TEQFP256 support | 19         | LCD Controller:<br>TEQFP216 : 4com x 32seg<br>TEQFP208 : 4com x 30seg<br>""  | 21           | LCD Controller:<br>TEQFP256 : 4com x 32seg<br>TEQFP216 : 4com x 32seg<br>TEQFP208 : 4com x 30seg<br>""                                  | #275 |
| TEQFP256 support | 20, 24     | -  | 23, 38       | (TEQFP256 assignment is added.)   | #276 |
| Chip ID          | 12         | Revision:B, Chip ID:0x10100010   | 14           | Revision:B, Chip ID:-<br>Revision:C and D, Chip ID:0x10100100   | #278 |

| Summary                               | Error Page | Error  | Correct Page | Correct  | ID   |
|---------------------------------------|------------|--|--------------|--|------|
| Case Temperature issue                | 64, 65     | Operating temperature<br>TA: -40(min), +105(max)   | 80, 81       | <p>Operating temperature<br/>TA: -40(min), +105(max)<br/>TC: -40(min), +144(max)</p> <p>Notes:</p> <ul style="list-style-type: none"> <li>- Both rating of TA and TC should simultaneously be satisfied as maximum operation temperature.</li> <li>- The following condition should be satisfied in order to facilitate heat dissipation.               <ol style="list-style-type: none"> <li>1. 4 or more layers PCB should be used.</li> <li>2. The area of PCB should be 114.3 mm x 76.2 mm or more, and the thickness should be 1.6 mm or more. (JEDEC standard)</li> <li>3. 1 layer of middle layers at least should be used for dedicated layer to radiate heat with residual copper rate 90% or more. The layer can be used for system ground.</li> <li>4. 35~50% of the die stage area which is exposed at back surface of package should be soldered to a part of 1st layer.</li> <li>5. The part of 1st layer should be connected to the dedicated heat radiation layer with more than 10 thermal via holes.</li> </ol> </li> </ul> | #283 |
| Main clock frequency                  | 15         | Main and sub oscillator is available.<br>- A wide range of 3.6 - 4MHz is available for main oscillator | 17           | Main and sub oscillator is available.<br>- A wide range of 3.6 - 16MHz is available for main oscillator  | #311 |
| Revision description                  | 11         | -  | 12           | (Inside Figure 2-1: Option and Part Number)<br>C: Support MCAN 3.0.1.<br>D: Support MCAN 3.2.  | #313 |
| CPU Clock Maximum                     | 11         | 200MHz (CPU Clock of function digit A, B, C, and D)  | 13           | 160MHz (CPU Clock of function digit A, B, C, and D)  | #314 |
| Maximum gap between package and board | 24         | -  | 39           | Note:- Same size is specified for MIN, NOM, MAX, then it should be regarded as maximum size.   | #315 |

| Summary                                     | Error Page | Error | Correct Page | Correct  | ID   |
|---|------------|-------|--------------|--|------|
| Power dissipation and Operation temperature | 62         | -     | 77, 78       | <p>Power dissipation and Operation temperature Case 1,<br/>           PD - 3300 mW,<br/>           TA -40 +97 degC, Both should be satisfied.<br/>           TC -40 +144 degC,</p> <p>Power dissipation and Operation temperature Case 2,<br/>           PD - 3150 mW,<br/>           TA -40 +100 degC, Both should be satisfied.<br/>           TC -40 +144 degC,</p> <p>Power dissipation and Operation temperature Case 3,<br/>           PD - 3000 mW<br/>           TA -40 +102 degC, Both should be satisfied.<br/>           TC -40 +144 degC,</p> <p>Power dissipation and Operation temperature Case 4,<br/>           PD - 2900 mW,<br/>           TA -40 +105 degC, Both should be satisfied.<br/>           TC -40 +144 degC,</p> <p>Power dissipation and Operation temperature Case 5,<br/>           PD - 2800 mW,<br/>           TA -40 +105 degC, Both should be satisfied.<br/>           TC -40 +144 degC,</p> <p>System Thermal Resistance,<br/>           Theta j-a - 16 degC/W,<br/>           The minimum value depends on the system specification of heat radiation.<br/>           The described value is estimated under the condition which is specified at Operation Assurance Condition.</p> <p>Package Thermal Resistance,<br/>           Theta j-c - 7.5 degC/W,</p> | #317 |

| Summary  | Error Page | Error   | Correct Page | Correct   | ID   |
|--|------------|---|--------------|---|------|
| HyperBus GPO Remark  | 18         | HyperBus<br>'''   | 21           | HyperBus<br>'''<br>GPO signal can only be used for "Internal Control example by GPO" in this product, that is, it can select using HyperBus of PF or using HyperBus of Graphic Sub System.  | #345 |
| Chip Select Output   | 11         | -   | 13           | (Part Number is added to show Chip Select Output of MFS)  | #346 |
| Revision B description   | 12         | Notes:<br>'''<br>- SCL4, 10, 12 and SDA4, 10, 12 of I2C is not supported yet, and will be enhanced after Revision B.  | 13           | Notes:<br>'''<br>- Multi-function serial interface of the function digit 3, 4, 5, 6, 7, and 8 support SCL4, 10, 12 and SDA4, 10, 12 of I2C after Revision D.  | #349 |
| MPU lock and unlock value  | 16         | -   | 18           | To configure Lock or Unlock for both MPUXn_UNLOCK and MPUHn_UNLOCK,<br>- Lock: 0x112ABB56<br>- Unlock: 0xACCABB56   | #351 |
| Flash Access Speed   | 17         | 1-wait-cycle with 80-160MHz.<br>2-wait-cycle with 160-240MHz.   | 19           | 0-wait-cycle: 80MHz or less.<br>1-wait-cycle: 160MHz or less.<br>2-wait-cycle: more than 160MHz.<br>The maximum frequency should be referred in datasheet.  | #357 |
| Oscillator error   | 73         | - The error of source oscillator frequency must be smaller than 300ppm.   | 97           | - The error of source oscillator frequency must be smaller than 3000ppm.  | #360 |
| Input leakage current, Pull-up resistor, Pull-down resistor and Input capacitance for P4_25 to P4_31 | 69         | Input leakage current: IIL: P2_16, 17, 19, 22, 24 to 31, P3_00 to 31, P4_00 to 12, P6_02 to 31<br>Input capacitance: CIN1: P0_00 to 31, P1_00 to 09, P2_16, 17, 19, 22, 24 to 31, P3_00 to 20, P5_21, 22, 27 to 31, P6_00 to 08, 17 to 26 | 89           | Input leakage current: IIL: P2_16, 17, 19, 22, 24 to 31, P3_00 to 31, P4_00 to 12, P4_25 to 31, P5_00 to 20, P6_02 to 31<br>Input capacitance: P0_00 to 31, P1_00 to 09, P2_16, 17, 19, 22, 24 to 31, P3_00 to 20, P4_25 to 31, P5_00 to 20, P5_21, 22, 27 to 31, P6_00 to 08, 17 to 26 | #363 |
| CLK_HPM Frequency  | 16         | 1 wait cycle is necessary to read at over 180MHz (target).  | 18           | See the platform manual in detail.<br>1 wait cycle is necessary for RAM read at over 160MHz.<br>No need to insert wait cycles for RAM write.  | #366 |
| nSRST description  | 15         | - INITX<br>- SRSTX<br>- nSTRST  | 17           | - INITX<br>- SRSTX (and nSRST pin)  | #367 |

| Summary  | Error Page | Error   | Correct Page | Correct   | ID   |
|--|------------|---|--------------|---|------|
| Hardware flow control  | 18         | Multi-functional Serial (MFS):,,,   | 20           | Multi-functional Serial (MFS):CTS/RTS is not mounted (hardware flow control is not supported for this series.)  | #373 |
| Pin assignment and pin list should be separately instead of the red characters | 20         | -   | 24-37        | (The figure of pin assignment are added)  | #374 |
| DDR-HSSPI DDR Mode   | 110        | Note:<br>""<br>- SS2CD [1:0] should be configured as 01, 10, or 10.   | 140          | Notes:<br>""<br>- SS2CD [1:0] should be configured as 01, 10, or 11.  | #376 |
| Oscillator Error Issue   | 76         | Notes:- *1: Target maximum clock frequencies when CPU clock = 240MHz- ,,,   | 100          | Notes:- *1: Target maximum clock frequencies when CPU clock = 240MHz - 232MHz or less is available for SSCG Down Spread. - 240MHz or less is available for PLL.- ,,,  | #380 |
| Input Pulse Width  | 120        | Port Noise Filter:<br>Width for input removal: All GPIO:<br>25ns(max)<br>*: Input pulse width less than at least 25nm is removed when Port noise filter is enabled. | 151          | Port Noise Filter:<br>Width for input removal: All GPIO:<br>67ns(max)<br>*: Input pulse width less than at least Typ 25ns to Max 67ns is removed when Port noise filter is enabled.<br>*: Input pulse width 100ns or more is recommended to be effective. | #382 |
| TYPO in 216 pin assign   | 21,22      | P0_26 0<br>P0_27 0<br>P0_28 0   | 24-30        | ("0"s are removed)<br>P0_26<br>P0_27<br>P0_28   | #384 |
| CHIP ID  | 12         | -   | 14           | Function Digit: 3,4,5,6,7,8<br>E and F:<br>Chip ID: 0x10100101, JTAG ID:<br>0x1000C5CF<br>---<br>Function Digit: A,B,C,D<br>E and F:<br>Chip ID: 0x10110001, JTAG ID:<br>0x100095CF   | #409 |
| RVD Detection/Release Voltage  | 99         | -   | 124          | (LVDL0 spec is added.)  | #410 |
| DDH-HSSPI AC Specification   | 109, 110   | (Old value)   | 138, 140     | (New values are added in the table)   | #411 |
| HyperBus AC Specification  | 111-114    | (Old value)   | 142-145      | (New values are added in the table)   | #412 |

| Summary                          | Error Page | Error   | Correct Page | Correct  | ID   |
|----------------------------------|------------|---|--------------|--|------|
| Power Supply Current             | 72         | -   | 92-96        | (New table is added, and the value of Icc12, Icc5, Icc25, and Icc5 are improved.)  | #413 |
| Unsupport Partial Wakeup         | 15         | Power Domain (PD): ,,,  | 17           | Power Domain (PD): ,,,This series doesn't support partial wakeup for PD6.  | #416 |
| Vcc12 power supply limit         | 64         | VSS12:<br>1.15<br>1.1*1<br><br>Notes:<br>- *1. The value will be for the product series with revision digit B.<br>- ,,,     | 80           | VSS12:<br>1.15*1<br>1.1*1<br><br>Notes:<br>- *1. The value is only applied to the product series with revision digit A.<br>- ,,,                   | #417 |
| FPD-Link DC Spec                 | 106        | VOD:270, 300, 340 mV310, 350, 400 mV360, 400, 450 mV<br>VCM:1.120, 1.150, 1.175 V1.170, 1.200, 1.225 V1.220, 1.250, 1.280 V | 135          | VOD:210, 300, 390 mV250, 350, 450 mV295, 400, 505 mV<br>VCM:1.075, 1.200, 1.325 V1.125, 1.250, 1.375 V   | #418 |
| Land Pattern for Thermal Via     | 65         | -   | 81-84        | (Land pattern of thermal via hole is added.)   | #429 |
| Power On Sequence Recommendation | 64         | -   | 80           | Notes:<br>- ,,,<br>- Power supply sequence is recommended as VCC5 -> [DVCC or AVCC5 or VCC3 or AVCC3] -> VCC12 -> [AVCC3_LVDS_PLL or VCC3_LVDS_TX] | #431 |

| Summary   | Error Page | Error  | Correct Page | Correct   | ID   |
|---|------------|--|--------------|---|------|
| Internal Clock Timing for FSSCG0-3 and FPLL0-3  | 75, 76     | <p>FSSCG0 480 800(400) 640 640<br/>           FSSCG1 800(400) 800(400) 800(400) 800(400)<br/>           FSSCG2 800(400) 800(400) 800(400) 640<br/>           FSSCG3 800 800 800 800<br/>           FPLL0 720 800 800 640<br/>           FPLL1 800 800 800 640<br/>           FPLL2 800(400) 800(400) 800(400) 800<br/>           FPLL3 480 480 480 480</p> <p>Notes:<br/>           ""<br/>           - The frequency described in ( ) is not maximum value but recommended configuration value.</p> | 99, 100      | <p>FSSCG0 232(480) 200(800) 160(640) 160(640)<br/>           FSSCG1 200(800) 200(800) 200(800) 200(800)<br/>           FSSCG2 200(800) 200(800) 200(800) 160(640)<br/>           FSSCG3 200(800) 200(800) 200(800) 200(800)<br/>           FPLL0 240(720) 200(800) 200(800) 160(640)<br/>           FPLL1 400(800) 400(800) 400(800) 320(640)<br/>           FPLL2 200(800) 200(800) 200(800) 200(800)<br/>           FPLL3 240(480) 240(480) 240(480) 240(480)</p> <p>Notes:<br/>           ""<br/>           - The frequency described in ( ) is maximum output frequency of SSCG PLL / PLL multiplier circuit.</p> | #432 |
| VIH spec(TTL level) for JTAG-pins   | 65         | VIH9: 2.0(Min)   | 85           | VIH9: 2.3(Min)  | #437 |
| VIH of Media LB port  | 65         | VIH12: 1.7(V)  | 85           | VIH12: 1.8(V)   | #438 |
| Original document code: DS708-00003-1v0-E, Previous document code: DS708-00003-0v04-E |            |  |              |   |      |
| Rev. 1.0 September 30, 2015   |            |  |              |   |      |
| Resource clock frequency  | 9          | Resource clock frequency : 40MHz (Max)   | 8            | Resource clock frequency : Option : See AC specification on the datasheet   | #465 |
| Description for up/down counter   | 10, 20     | Up/Down Counter  | 9, 19        | Quad Position & Revolution Counter(Up/Down Counter)   | #530 |
| Display output  | 13         | <p>Notes:<br/>           ""<br/>           - Display Output ch.0 is used for RSDS and FPD-LINK (LVDS) as well as DRGB (Digital RGB). The ch.0 of the product which doesn't support FPD-LINK is used for RSDS and DRGB.<br/>           Display Output ch.1 is used for DRGB only.</p>   | 12           | <p>Notes:<br/>           ""<br/>           - Display Output ch.0 is used for RSDS and FPD-LINK (LVDS) as well as DRGB (Digital RGB). The ch.0 of the product which doesn't support FPD-LINK is used for RSDS and DRGB.<br/>           - Display Output ch.1 is used for FPD-LINK (LVDS) and DRGB (Digital RGB). The ch.1 of the product which doesn't support FPD-LINK is used for DRGB only.</p>   | #452 |

| Summary  | Error Page | Error   | Correct Page | Correct   | ID   |
|--|------------|---|--------------|---|------|
| Relationship SYSC0_SYSIDR and ChipID                 | 14         | ID is specified for each function digit and revision which is defined at Figure 2-1.  | 13           | ID is specified for each function digit and revision which is defined at Figure 2-1. Chip ID can be read from SYSC0_SYSIDR. For SYSC0_SYSIDR, see the TRAVEO™ T1G Platform hardware manual.   | #471 |
| Typo in trace buffer size                            | 17         | 4kB Embedded Trace Buffer   | 16           | 4k Word Embedded Trace Buffer   | #528 |
| WUCR function  | 20         | MFS:<br>'''   | 19           | MFS:<br>'''<br>WUCR function is not supported for this product.   | #284 |
| CS port availability                                 | 20         | MFS: Chip select function of CSIO is not supported yet and will be enhanced with next revision.   | 19           | MFS: The availability of chip select function can be seen at Function Digit Table.  | #448 |
| Not support CS input                                 | 20         | -   | 19           | Chip Select Input is not supported.   | #467 |
| Usage for I2S ch1                                    | 20         | - I2S0 only supports the output of sound sources.<br>- I2S1 supports both the input and the output.<br>- '''  | 19           | - I2S0 can output sound sources which are processed by Sound System.<br>- I2S1 can input sound sources which are processed by Sound System.<br>- '''<br>See the "Sound System Configuration" of S6J3200 hardware manual in detail.                            | #529 |
| Improvement of description for I2C                   | 20         | Note all pins do not necessarily support I2C, but the pins which have the dedicated I/O characteristics only support it.  | 19           | Note - Not all pins support I2C. Only pins which have the I2C I/O characteristics support it.   | #531 |
| Reference for DDR High Speed SPI & CAN-FD            | 20         | -   | 19, 20       | (Added "See the platform manual in detail" for CAN-FD & DDR High Speed SPI)   | #532 |
| Reference information for GPO                        | 21         | GPO signal can only be used for "Internal Control example by GPO" in this product, that is, it can select using HyperBus of PF or using HyperBus of Graphic Sub System. | 20           | GPO signal can only be used for "Internal Control example by GPO" in this product, that is, it can select using HyperBus of PF or using HyperBus of Graphic Sub System. See the "HyperBus Interface Port Configuration" of S6J3200 hardware manual in detail. | #533 |
| Delete unnecessary description for Graphic subsystem | 21         | Order replacement of RGB pins.  | 20           | (Deleted)   | #534 |

| Summary                                       | Error Page | Error  | Correct Page | Correct  | ID   |
|---|------------|--|--------------|--|------|
| Delete Ethernet restriction for product       | 22         | Direct Memory Access Interface, MAC Filtering Block -VLAN tag, IEEE 1588 and IEEE 802.1AS Support, MAC PFC Priority Based Pause Frame Support, and 802.1Qav Support – Credit Based Shaping | 21           | (Delete)   | #516 |
| Improvement of description for Pin Assignment | 23         | Alphabets with pin numbers are signs specify I/O circuit type.   | 22           | The characters next to the pin number in the pin assignment drawing specify the I/O circuit type.<br>(figure added)  | #535 |
| Regarding "red" character in Pin Assignment   | 23-38      | The pins which are described in "red" character are not supported, and will be enhanced with next revision products.   | 23-35        | The pins which are described in "red" character are not supported product with revision A and C.   | #524 |
| Note for Input voltage and Max clamp current  | 76         | Maximum clamp current:*A (Remarks)<br>Total maximum clamp current:*A (Remarks)   | 75           | Maximum clamp current:*12, *A (Remarks)<br>Total maximum clamp current:*12, *A (Remarks)   | #503 |
| TYPO in Absolute Maximum Rating               | 76         | Input voltage:VI2:VCC5+0.3(Max)<br>,,,<br>Input voltage:VIE:VCC5+0.3(Max)  | 75           | Input voltage:VI2:DVCC+0.3(Max)<br>,,,<br>Input voltage:VIE:VCC53+0.3(Max)   | #518 |
| Note for Input voltage and Max clamp current  | 78         | -  | 77           | *12: VI or VO should never exceed the specified ratings. However, if the maximum current to/from an input is limited by a suitable external resistor, the ICLAMP rating supersedes the VI rating.            | #470 |
| Power supply sequence                         | 80         | Power supply sequence is recommended as VCC5 -> [DVCC or AVCC5 or VCC3 or AVCC3] -> VCC12 -> [AVCC3_LVDS_PLL or VCC3_LVDS_TX]  | 79           | Power supply sequence is recommended as VCC5 -> [DVCC or AVCC5 or VCC3 or AVCC3] -> VCC12 -> [AVCC3_LVDS_PLL or VCC3_LVDS_TX].<br>Note that power supplies inside "[ ]" can be turned on in arbitrary order. | #474 |
| VIH/VIL characteristics for I/O of DVCC       | 85, 86     | -  | 84, 85       | (Added the "*1" for note of some characteristics and the description)  | #439 |
| DS 8.3.1 Port Function Characteristics        | 86         | VIL10(Max) 0.3xVcc5  | 85           | VIL10(Max) 0.3xVcc3  | #453 |
| VOH characteristic for I/O of MediaLB         | 87         | VOH16:VCC3-0.5(Min)  | 86           | VOH16:2.0(Min)   | #441 |

| Summary  | Error Page | Error  | Correct Page | Correct  | ID   |
|--|------------|--|--------------|--|------|
| VOH/L4, VOH/L5, VOH/L6 characteristics for I/O of VCC5 and DVCC      | 87, 88     | -  | 86, 87       | (Added the "*" for note of some characteristics and the description)   | #442 |
| VOL4, VOL5 characteristics   | 88         | VOL4:0.55(Max)<br>VOL5:0.55(Max)   | 87           | VOL4:0.4(Max)<br>VOL5:0.4(Max)   | #443 |
| Pull-up/Pull-down resistor for 5V/3V pins (P4_25 to 31, P5_00 to 20) | 89         | PUP2:P2_16, 17, 19, 22, 24 to 31, P3_00 to 31, P4_00 to 12, P6_02 to 31:Pull-up register selected,,Pdown2:P2_16, 17, 19, 22, 24 to 31, P3_00 to 31, P4_00 to 12, P6_02 to 31:Pull-down register selected | 88           | PUP2:P2_16, 17, 19, 22, 24 to 31, P3_00 to 31, P4_00 to 12, P4_25 to 31, P5_00 to 20, P6_02 to 31:Pull-up register selected Vcc53 = 4.5V to 5.5V,,Pdown2:P2_16, 17, 19, 22, 24 to 31, P3_00 to 31, P4_00 to 12, P4_25 to 31, P5_00 to 20, P6_02 to 31:Pull-down register selected Vcc53 = 4.5V to 5.5V | #430 |
| Typo in condition of IIL characteristics for 3V I/O                  | 89         | VCC3=3.3 V<br>VSS < VI < VCC3  | 88           | VCC3=3.6 V<br>VSS < VI < VCC3  | #444 |
| Typo in symbol for input capacitance                                 | 89         | CIN1:P3_21 to 31, P4_00 to 12, P6_09 to 16   | 88           | CIN2:P3_21 to 31, P4_00 to 12, P6_09 to 16   | #445 |
| Pull-up/Pull-down resistor for 5V/3V pins                            | 89         | -  | 88           | Pull-up resistor:RUP2:P4_25 to 31, P5_00 to 20:Pull-up resistor Selected Vcc53 = 3.0V to 3.6V:40(Min):100(Typ):200(Max):kΩ:5V/3 V pins<br>,,,<br>Pull-down resistor:Rdown1:P4_25 to 31,P5_00 to 20:Pull-down resistor Selected Vcc53 = 3.0V to 3.6V:40(Min):100(Typ):200(Max):kΩ:5V/3 V pins           | #501 |
| FPD-Link DC Spec   | 92         | -  | 91           | Note: - ,, - The current consumption at Vcc3_LVDS_Tx is specified under R <sub>L</sub> =100 Ω, C <sub>L</sub> =5 pF, f=50 MHz, and 0/1 alternation pattern output.   | #433 |
| DS 8.3.2.1 Run Mode  | 93         | (Icc5 is only defined)   | 92           | (Current values related CPU operation should be specified as Icc12)  | #454 |
| Maximum clock frequency of SSCG3                                     | 99         | FSSCG3:200(800), 200(800), 200(800), 200(800)  | 98           | FSSCG3:400(800), 400(800), 400(800), 400(800)  | #458 |

| Summary                          | Error Page                              | Error  | Correct Page                                 | Correct   | ID   |
|----------------------------------|---|--|--|---|------|
| Delete "Taget spec"              | 99, 100, 131-134, 138, 140,142-150, 159 | -  | 98, 99, 100, 131-134, 138, 140, 142-150, 159 | (Deleted explanation for target spec)   | #504 |
| SSCG Max Frequency               | 100                                     | Notes:<br>— *1: Target maximum clock frequencies when CPU clock = 240MHz<br>- 232MHz or less is available for SSCG Down Spread.<br>- 240MHz or less is available for PLL.  | 99   | Notes:<br>— *1: Target maximum clock frequencies when CPU clock = 240MHz<br>- 232MHz or less is available for SSCG Down Spread on/off.<br>- 240MHz or less is available for PLL.  | #487 |
| Internal Clock Timing            | 100                                     | Notes:,,, - *3: Target maximum clock frequencies when CPU clock = 160MHz- From *1 to *3, they are not applied to the product series with function digit A, B, C, and D. - *4: Target maximum clock frequencies when CPU clock = 160MHz for the product series with thefunction digit A, B, C, and D. | 100  | Notes:,,, - *3: Target maximum clock frequencies when CPU clock = 160MHz. This is also a combination of maximum clock frequencies for TC FLASH Programming or Erasing.- From *1 to *3, they are applied to the product series with function digit 3, 4, 5, 6, 7, and 8.- *4: Target maximum clock frequencies when CPU clock = 160MHz for the product series with the function digit A, B, C, and D. This is also a combination of maximum clock frequencies for TC FLASH Programming or Erasing. | #406 |
| Level detection hysteresis width | 105                                     | Level detection hysteresis width   | 104  | (Delete)  | #457 |
| Default Value of LVDL1           | 126                                     | LVDL1V=01(Default),,, LVDL1V=10  | 125  | LVDL1V=01,,, LVDL1V=10(Default)   | #502 |
| Display AC specification         | 131                                     | -  | 131  | ( - Updated the min/max value in  tDC0D  and tDC0V. - Added the new definition for DSP0_CTRL11-0 of tDC0V. - Update the note for *2 and delete the note for *4. - Updated figure for definition of tDC0V.)  | #347 |

| Summary  | Error Page | Error   | Correct Page | Correct   | ID   |
|--|------------|---|--------------|---|------|
| Display AC specification                         | 132        | -   | 132          | ( - Updated the min/max value for  tRSD , tRSV, tSPD, tSPV. - Delete the note for *2. - Updated figure for definition of tSPV and tRSV.)  | #506 |
| Display AC specification                         | 133        | -   | 133          | ( - Updated the min/max value for tDC1D, tDC1V and delete the remarks for tDC1V. - Updated figure for definition of tDC1V.)   | #505 |
| FPD-Link Output Clock Frequency                  | 135        | Output clock frequency: 1MHz(min),50MHz(max)  | 135          | Output clock frequency: - (min),50MHz(max)  | #522 |
| Add "TxCLK+/-" in case of don't support FPD-Link | 135        | Note: – All the corresponding ports of products which don't support FPD-Link should be connected to GND. AVCC3_LVDS_PLL, AVSS3_LVDS_PLL, VCC3_LVDS_Tx, VSS3_LVDS_Tx, TxDOUn+/-. | 135          | Note: – All the corresponding ports of products which don't support FPD-Link should be connected to GND. AVCC3_LVDS_PLL, AVSS3_LVDS_PLL, VCC3_LVDS_Tx, VSS3_LVDS_Tx, TxDOUn+/-, TxCLK+/-.   | #525 |
| DDRHSSPI (SDR) clock cycle for Quad Page Program | 138        | -   | 138          | HSSPI clock cycle:20(Min):when Quad Page Program  | #484 |
| HyperBus AC specification                        | 144        | RDS↑↓> DQ (valid) Setup time ,,,<br>RDS↑↓> DQ (invalid)Hold time  | 144          | RDS↑↓> DQ Setup time ,,,<br>RDS↑↓> DQ Hold time   | #519 |
| ADC Software Trimming                            | 153        | -   | 153          | 8.5.4 Calibration Condition<br>Calibration Condition A/D Converter should be calibrated under the following condition.AVCC=5.0V AVRH=5.0V Ta=25°C system clock frequency (CLK_LCP1A)= 10MHz See A/D Converter Calibration on the S6J3200 hardware manual. | #358 |

## Document History

Document Title: S6J3200 Series 32-bit Microcontroller TRAVEO™ T1G Family

Document Number: 002-05682

| Revision   | ECN     | Submission Date | Description of Change  |
|--|---------|-----------------|--|
| **   | -       | 09/30/2015      | Migrated to Cypress and assigned document number 002-05682.<br>No change to document contents or format.   |
| *A   | 5234352 | 04/22/2016      | Updated formatting   |
| *B   | 5340908 | 07/08/2016      | 2. Function List 2.1 Function List<br>[Improve] Corrected the number of CRC unit. (1unit -> 4unit)   |
|  |         |                 | 2. Function List 2.2.1 Basic Option 2.2.2 ID<br>[Improve] Updated the "Option and Part Number", "Function Digit table" and "ID" table for adding new revision and improving readability. |
|  |         |                 | 2. Function List 2.2.2 ID<br>[Improve] Added the value of Platform ID in SYSC0_SYSPFIDR  |
|  |         |                 | 3. Product Description 3.2 Product Description<br>[Enhancement] Added support for center spread mode with limited condition  |
|  |         |                 | 3. Product Description 3.2 Product Description<br>[Improve] Added the description for "MK_CEER" of security  |
|  |         |                 | 3. Product Description 3.2 Product Description<br>[Improve] Added the description for hot swap function of I2C   |
|  |         |                 | 3. Product Description 3.2 Product Description<br>[Improve] Added the explanation for function of PSC1.  |
|  |         |                 | 3. Product Description 3.2 Product Description<br>[Improve] Added the explanation for reset of EX5VRST.  |
|  |         |                 | 3. Product Description 3.2 Product Description<br>[Improve] Added the information of main oscillation stabilization wait time.   |
|  |         |                 | 3. Product Description 3.2 Product Description<br>[Improve] Added the register information of "Interrupt Enable Register" (HYPERBUSIn_IEN) for clarifying "not support".                 |
|  |         |                 | 3. Product Description 3.2 Product Description<br>[Improve] Corrected the number of I2C support ports for MFS.   |
|  |         |                 | 3. Product Description 3.2 Product Description<br>[Improve] Corrected the revision digit information for Ethernet AVB.   |
|  |         |                 | 3. Product Description 3.2 Product Description<br>[Improve] Corrected the stabilization time for embedded CR oscillation.  |
| 3. Product Description 3.2 Product Description<br>[Improve] For convenience to understand power domain definition. |         |                 |  |

| Revision | ECN | Submission Date | Description of Change   |
|----------|-----|-----------------|---|
|          |     |                 | 3.Product Description 3.2 Product Description<br>[Improve] Deleted the unnecessary description for PPU of I2S   |
|          |     |                 | 4. Package and Pin Assignment 4.1 Pin Assignment<br>[Improve] Added the part number information for figure 4-8 and 4-15   |
|          |     |                 | 4. Package and Pin Assignment 4.1.1 TEQFP-216 Pin Assignment<br>[Improve] Added the "M_CK_0" for TEQFP-216 Pin Assignment   |
|          |     |                 | 4. Package and Pin Assignment 4.1.2 TEQPF-208 Pin Assignment<br>[Improve] Corrected part number in figure title. (S6J32xCL -> S6J32xCK)   |
|          |     |                 | 4. Package and Pin Assignment 4.1.3 TEQPF-256 Pin Assignment<br>[Improve] Corrected the IO-circuit type for pin.217 to 256  |
|          |     |                 | 6. Port Description 6.1 Port Description List<br>[Improve] Added the supplementary information for I2C pin name of SCL, SDA.  |
|          |     |                 | 7. Precautions and Handling Devices 7.2 Handling Devices<br>[Improve] Deleted the obsolete description about power ramp rate ("About the Power-on Time")                          |
|          |     |                 | 7. Precautions and Handling Devices 7.2 Handling Devices<br>[Improve] Removed duplicated description  |
|          |     |                 | 7. Precautions and Handling Devices 7.2. Handling Devices<br>[Limitation] Added description of how to turn off VCC12 during power off sequence.                                   |
|          |     |                 | 8. Electric Characteristics 8.1 Absolute Maximum Rating<br>[Improve] Deleted "total maximum clamp current" for special spec.  |
|          |     |                 | 8. Electric Characteristics 8.1 Absolute Maximum Rating<br>[Limitation] Added the condition to "Analog pin input voltage"   |
|          |     |                 | 8. Electric Characteristics 8.2 Operation Assurance Condition<br>[Improve] clarified the rate of die stage area which is exposed at back surface of package for heat dissipation. |
|          |     |                 | 8. Electric Characteristics 8.3.1 Port Function Characteristics<br>[Improve] Remarks of VOH5 is modified.   |
|          |     |                 | 8. Electric Characteristics 8.3.2.1 Run Mode<br>[Improve] Added information. "50 MHz" into AVCC3_LVDS_PLL.  |
|          |     |                 | 8. Electric Characteristics 8.3.2.2 PSS Timer Mode Shutdown (PD6=OFF)<br>[Enhance] PD4 shutdown support<br>[Improve] Added remarks in osc mode spec                               |
|          |     |                 | 8. Electric Characteristics 8.4.1 Source Clock Timing<br>[Improve] Corrected the min value of source oscillation clock cycle time.  |
|          |     |                 | 8.Electric Characteristics 8.4.3 Internal Clock Timing<br>[Enhancement] Added support for center spread mode with limited condition   |

| Revision | ECN | Submission Date | Description of Change  |
|----------|-----|-----------------|--|
|          |     |                 | 8. Electric Characteristics 8.4.3 Internal Clock Timing<br>[Enhance] The series of port reference voltage level VIL/VIH/VOL/VOH for HyperBus AC specification is defined.  |
|          |     |                 | 8. Electric Characteristics 8.4.3 Internal Clock Timing<br>[Improve] Corrected the maximum output frequency of SSCG0 and PLL0  |
|          |     |                 | 8. Electric Characteristics 8.4.4 Reset Input<br>[Improve] Improved readability for width for reset input removal.   |
|          |     |                 | 8 Electric Characteristics 8.4.5 Power-On Conditions<br>[Enhancement] Reduced Power off time to 1ms<br>[Limitation] Defined Power ramp rate requirement for 1)when tOFF is satisfied 2)tOFF is not satisfied<br>[Limitation] Increased Level detection time to 540us   |
|          |     |                 | 8.Electric Characteristics 8.4.5.2 VCC12 Stabilization Time during Power-On / PSS to RUN Transition<br>[Limitation] Added VCC12 stabilization time requirement for power-up sequence and PSS to RUN transition   |
|          |     |                 | 8. Electric Characteristics 8.4.6.2 CSIO Timing (SMR:MD2-0=0b010)<br>[Improve] Corrected min value of Serial clock<br>"H" pulse width and Serial clock<br>"L" pulse width  |
|          |     |                 | 8. Electric Characteristics 8.4.6.2 CSIO Timing (SMR:MD2-0=0b010)<br>[Limitation] Changed AC spec of MFS CSIO mode   |
|          |     |                 | 8.Electric Characteristics 8.4.6.2 CSIO Timing (SMR:MD2-0=0b010)<br>[Improve] Added CS output AC timing.   |
|          |     |                 | 8. Electric Characteristics 8.4.6.4 I2C Timing (SMR:MD2-0=0b100)<br>[Improve] Corrected the name of "High-Speed Mode" to "Fast Mode".  |
|          |     |                 | 8. Electric Characteristics 8.4.7 Timer Input<br>[Improve]Clock definition of remarks is modified  |
|          |     |                 | 8. Electric Characteristics 8.4.8 Trigger Input<br>[Improve] Definition of RXx pin and limitation of stop mode is deleted.   |
|          |     |                 | 8. Electric Characteristics 8.4.10 Low-Voltage Detection<br>[Limitation] Corrected release voltage for LVDL0, LVDH0 and LVDL1  |
|          |     |                 | 8 Electric Characteristics 8.4.10 Low-Voltage Detection<br>[Limitation] Add note that this LVDL0 cannot be used to reliably generate a reset before voltage dips below minimum guaranteed MCU operation voltage<br>[Improve] Removed LVDH0 table due to duplication with 8.4.5 Power-On Conditions<br>[Limitation] Add note that this LVDL1 cannot be used to reliably generate a reset before voltage dips below minimum guaranteed MCU operation voltage with any setting<br>[Limitation] Add note that this LVDH1 cannot be used to reliably generate a reset before voltage dips below minimum guaranteed MCU operation voltage for some of the settings |

| Revision | ECN | Submission Date | Description of Change  |
|----------|-----|-----------------|--|
|          |     |                 | <p>[Limitation] Add note that this LVDL2 cannot be used to reliably generate a reset before voltage dips below minimum guaranteed MCU operation voltage with any setting</p> <p>[Limitation] Add note that this LVDH2 cannot be used to reliably generate a reset before voltage dips below minimum guaranteed MCU operation voltage for some of the settings</p>  |
|          |     |                 | <p>8. Electric Characteristics 8.4.10.3 LVDL1</p> <p>[Improve] Deleted the useless configuration of LVDL1. (LVDL1V=01)</p>   |
|          |     |                 | <p>8. Electric Characteristics 8.4.10.6 LVDH2</p> <p>[Improve] Typ value of release voltage at conditions of LVDH2V=0001 changes 2.75V to 2.85V.</p>   |
|          |     |                 | <p>8. Electric Characteristics 8.4.11 High Current Output Slew Rate</p> <p>[Improve] Corrected the typo in figure. (VOL8, VOH8 -&gt; VOL, VOH)</p>   |
|          |     |                 | <p>8. Electric Characteristics 8.4.12.2 Display Controller0 Timing (RSDS)</p> <p>[Improve] Delete unnecessary characteristics</p>  |
|          |     |                 | <p>8. Electric Characteristics 8.4.14 FPD-link</p> <p>[Improve] Corrected unit. "Ohm" -&gt; "ohm"</p> <p>[Improve] Corrected remarks on "Common mode voltage". "One of three" -&gt; "One of two"</p> <p>[Improve] Added missing information. "5 pF (differential)"</p> <p>[Improve] Corrected format. "25MHz" -&gt; "25 MHz", "4/7" -&gt; "4 / 7".</p> <p>[Improve] Added cycle to cycle jitter spec.</p> <p>[Improve] Added information. "Equals 1/f" into TCIP.</p> <p>[Improve] Corrected max time in "Cycle time of TXCLKP/M".</p> <p>[Improve] Added other frequency spec into "Output pulse position".</p> <p>[Limitation] Added PLL lock-up time.</p> <p>[Improve] Separately added specs for revision H.</p> |
|          |     |                 | <p>8. Electric Characteristics 8.4.14. FPD-Link (LVDS)</p> <p>[Limitation] Specified minimum output frequency 5MHz.</p>  |
|          |     |                 | <p>8. Electric Characteristics 8.4.16 HyperBus</p> <p>[Enhance] Enhanced AC spec Hyper Bus read timing and corrected timing chart</p>  |
|          |     |                 | <p>8. Electric Characteristics 8.4.16 HyperBus</p> <p>[Enhance] The series of port reference voltage level VIL/VIH/VOL/VOH for HyperBus AC specification is defined.</p>   |
|          |     |                 | <p>8. Electric Characteristics 8.4.16 HyperBus</p> <p>[Improve] Added a note for clarifying the HyperBus clock cycle and source.</p>   |
|          |     |                 | <p>8. Electric Characteristics 8.4.16 HyperBus</p> <p>[Improve] Corrected the revision digit information.</p>  |
|          |     |                 | <p>8. Electric Characteristics 8.4.19 Port Noise Filter</p> <p>[Improve] Change the description of filter specification and note for GPIO</p> <p>[Improve] Added the filter specification for EINT, TIN</p> <p>[Improve] Added the filter specification for SCL, SDA of I2C</p>  |

| Revision | ECN     | Submission Date | Description of Change   |
|----------|---------|-----------------|---|
|          |         |                 | 9. Abbreviation<br>[Improve] Added the word "QPRC" to abbreviation.   |
|          |         |                 | 10. Ordering Information<br>[Improve] Updated "Order Part Number Table"   |
|          |         |                 | 11. Appendix 11.1 Application 1: JTAG tool connection<br>[Improve] Figure of JTAG tool connection as an application example is added.   |
| *C       | 5515119 | 11/10/2016      | 2. Function List 2.2.1.1 S6J320C<br>[Improve] Added new function digit 9 to Function digit table  |
|          |         |                 | 2. Function List 2.2.1.1 S6J320C<br>[Improve] Updated the Revision information  |
|          |         |                 | 2. Function List 2.2.1.2 S6J320A<br>[Improve] Corrected the Revision information (Digit:G -> Digit:E)   |
|          |         |                 | 2. Function List 2.2.2 ID<br>[Improve] Added the ID information for revision J, K, L, and M   |
|          |         |                 | 4. Package and Pin Assignment 4.2 Package Dimensions<br>[Limitation] Updated PKG figure and changed parameter of symbol b, c and ddd for LEQ216<br>[Improve] Updated PKG figure for LET208 and LER208 |
|          |         |                 | 7. Precautions and Handling Devices 7.2 Handling Devices<br>[Limitation] Added the "Method to Switch off VCC12 during Power-off Sequence" for except revision M                                       |
|          |         |                 | 8. Electric Characteristics 8.3.2.1 Run Mode<br>[Limitation] Changed the power supply current of "AVcc3_LVDS_PLL" for after revision H.   |
|          |         |                 | 8. Electric Characteristics 8.4.4.2 Power supply voltage stability conditions<br>[Limitation] Added the power supply voltage stability conditions for revision M                                      |
|          |         |                 | 8. Electric Characteristics 8.4.10.4 LVDH1<br>[Limitation] Added the note for power supply voltage stability conditions   |
|          |         |                 | 8. Electric Characteristics 8.4.14 FPD-Link (LVDS)<br>[Improve] Added the revision information for AC specification table   |
|          |         |                 | 8. Electric Characteristics 8.7.2 Notes<br>[Limitation] Added the note for shutdown of external power   |
| *D       | 5638486 | 02/22/2017      | 2. Function List 2.2.1.1 S6J320C<br>[Limitation] Sub clock stabilization time   |
|          |         |                 | 2. Function List 2.2.2 ID<br>[Improve] Added the IPIentifier information for graphic subsystem  |
|          |         |                 | 4. Package and Pin Assignment 4.1 Pin Assignment<br>[Improve] Added "S6J329" for PKG figure information   |

| Revision | ECN | Submission Date | Description of Change   |
|----------|-----|-----------------|---|
|          |     |                 | <p>4. Package and Pin Assignment 4.2 Package Dimensions<br/>[Improve] Corrected "A1" value of LEQ216, LET208, LER208 (0.00(MIN)-0.20(MAX) -&gt; 0.05(MIN)-0.15(MAX))<br/>[Improve] Added figure for 256 pin PKG</p>   |
|          |     |                 | <p>6. Port Description 6.1 Port Description List<br/>[Improve] Exposed pad connection recommendation</p>  |
|          |     |                 | <p>7. Precautions and Handling Devices 7.2 Handling Devices<br/>[Improve] Corrected the typo in "Method to Switch off VCC12 during Power-off Sequence" (RTSX -&gt; RSTX)</p>  |
|          |     |                 | <p>8. Electric Characteristics 8.2 Operation Assurance Condition<br/>[Improve] Exposed pad connection recommendation</p>  |
|          |     |                 | <p>8. Electric Characteristics 8.2 Operation Assurance Condition<br/>[Limitation] Added the note about the connection of Vcc53.</p>   |
|          |     |                 | <p>8. Electric Characteristics 8.3.1 Port Function Characteristics<br/>[Improve] Corrected the VOH/VOL drive capacity when VCC53=3.0V.</p>  |
|          |     |                 | <p>8. Electric Characteristics 8.3.2 Power Supply Current<br/>[Improve] Add revision E and J to 'Remarks' of AVCC3_LVDS_PLL.</p>  |
|          |     |                 | <p>8. Electric Characteristics 8.3.2.2 PSS Timer Mode Shutdown (PD6=OFF)<br/>[Enhance] Added external clock mode spec</p>   |
|          |     |                 | <p>8. Electric Characteristics 8.3.2 Power Supply Current<br/>[Improve] Added note of regulator mode for measurement condition to 8.3.2.2 PSS Timer Mode Shutdown (PD6=OFF) and 8.3.2.3 PSS Stop Mode Shutdown.</p>   |
|          |     |                 | <p>8. Electric Characteristics 8.4.6.2 CSIO Timing (SMR: MD2-0=0b010)<br/>[Improve] Corrected the min. value of tSCYC<br/>[Improve] Corrected the min. value of tSOVLI and tSOVHI<br/>[Improve] Remove the Remarks for tSYSC, tSHSL and tSLSH</p>   |
|          |     |                 | <p>8. Electric Characteristics 8.4.10.4 LVDH1<br/>[Limitation] Added more setting needed for power supply voltage stability conditions</p>  |
|          |     |                 | <p>8. Electric Characteristics 8.4.10.5 LVDL2<br/>[Improve] Corrected the typo in Max release voltage of "LVDL2V=01" condition. (9.995 -&gt; 0.995)</p>   |
|          |     |                 | <p>8. Electric Characteristics 8.4.12 Display Controller<br/>[Improve] Corrected the min. value of Clock Cycle for DSP0_CLK in 8.4.12.1 Display Controller0 Timing (TTL Mode).<br/>[Improve] Corrected the min. value of Clock Cycle for DSP0_CLK+/- in 8.4.12.2 Display Controller0 Timing (RSDS).</p> |
|          |     |                 | <p>8. Electric Characteristics 8.4.15 DDR-HSSPI<br/>[Enhance] Add description for reference voltage of VIL, VIH, VOL and VOH</p>  |

| Revision | ECN     | Submission Date | Description of Change  |
|----------|---------|-----------------|--|
|          |         |                 | <p>8. Electric Characteristics 8.4.15.2 DDR-HSSPI Interface Timing (DDR Mode)<br/>[Improve] Corrected timing chart of "G_SDATA0_0-3", "GSDATA1_0-3" and "GSSEL0,1" for DDR mode.</p> <p>8. Electric Characteristics 8.4.16 HyperBus<br/>[Enhance] Added note with regard to HyperRAM refresh interval in 8.4.16.2 Hyper Bus Write Timing (HyperRAM).<br/>[Enhance] Added note with regard to HyperRAM refresh interval in 8.4.16.4 Hyper Bus Read Timing (HyperRAM).</p> <p>8.Electric Characteristics 8.4.20 JTAG<br/>[Enhance] Add JTAG AC specifications</p> <p>8.Electric Characteristics 8.4.21 QPRC<br/>[Enhance] Add AC specification for QPRC</p> <p>8.Electric Characteristics 8.4.22 I2S<br/>[Improve] Add AC specification for I2S</p> <p>10. Ordering Information<br/>[Improve] Updated "Ordering Information"</p>   |
| *E       | 5690647 | 04/18/2017      | Updated Cypress Logo and Copyright.  |
| *F       | 5879435 | 09/19/2017      | <p>1. Overview 1.1 Document Definition Table 1-1<br/>[Improve] Added the "Document Code" information for Application note</p> <p>2.Function List 2.1 Function List<br/>[Enhance] Updated Description and Remark for System-RAM size enhance</p> <p>2. Function List 2.2.1 Basic Option Figure 2-1<br/>[Improve] Updated "Revision version" information</p> <p>2.Function List 2.2.1.1 S6J320C Note<br/>[Improve] Updated revision digit information</p> <p>2.Function List 2.2.1.3 S6J320E<br/>[Enhance] Added the Basic option information for S6J320E Series</p> <p>2.Function 2.2.2 ID<br/>[Improve] Updated function digit information</p> <p>2.Function List 2.2.2 ID<br/>[Enhance] Added the ID information of Function Digit K, L, M, N for S6J320E Series</p> <p>3. Product Description 2. Product Description<br/>[Improve] Added the description for INITX</p> <p>3. Product Description 3.2 Product Description Table 3-1.<br/>[Limitation] Add limitation of FPD-Link converter.</p> <p>4. Package and Pin Assignment 4.1 Pin Assignment<br/>[Enhance] Added the figure of pin assignment for S6J320E Series</p> <p>4. Package and Pin Assignment 4.2 Package Dimensions<br/>[Enhance] Added the Function Digit information for S6J320E Series</p> <p>5. I/O Circuit Type 5.1 I/O Circuit Type</p> |

| Revision | ECN     | Submission Date | Description of Change   |
|----------|---------|-----------------|---|
|          |         |                 | [Improve] Corrected typo of pull-up/down resistance value in I/O circuit Type E   |
|          |         |                 | 7. Precautions and Handling Devices 7.2 Handling Devices About C Pin Processing<br>[Improve] Deleted typo about other series product information.                           |
|          |         |                 | 8.Electric Characteristics 8.2 Operation Assurance Condition<br>[Enhance] Added two Power supply sequence   |
|          |         |                 | 8. Electric Characteristics 8.3.2 Power Supply Current<br>[Enhance] Added the power supply current for S6J320E Series   |
|          |         |                 | 8.Electric Characteristics 8.3.2.1 Run Mode<br>[Improve] Updated function digit information   |
|          |         |                 | 8.Electric Characteristics 8.3.2.2 PSS Timer Mode Shutdown (PD6=OFF)<br>[Improve] Updated function digit information  |
|          |         |                 | 8. Electric Characteristics 8.4.3 Internal Clock Timing Table 8-1<br>[Enhance] Added the Function Digit K, L, M, N for S6J320E Series                                       |
|          |         |                 | 8.Electric Characteristics 8.4.3 Internal Clock Timing<br>[Improve] Updated function digit information  |
|          |         |                 | 8.Electric Characteristics 8.4.6.2 CSIO Timing (SMR: MD2-0=0b010)<br>[Improve] Updated function digit information   |
|          |         |                 | 8. Electric Characteristics 8.4.6 Multi-Function Serial<br>[Enhance] Added the Function Digit K, L, M, N for S6J320E Series   |
|          |         |                 | 8.Electric Characteristics 8.4.16.3 Hyper Bus Read Timing (HyperFlash)<br>[Improve] Updated function digit information  |
|          |         |                 | 10. Ordering Information<br>[Enhance] Updated "Order Part Number"   |
| *G       | 5986519 | 12/07/2017      | 4. Package and Pin Assignment 4.1.1 TEQFP-216 Pin Assignment<br>[Improve] Added "S6J329CLxx" for title of figure 4-2 of pin assignment.                                     |
|          |         |                 | 4. Package and Pin Assignment 4.1.2 TEQPF-208 Pin Assignment<br>[Improve] Added "S6J329CKxx" for title of figure 4-10 of pin assignment.                                    |
|          |         |                 | 7. Precautions and Handling Devices 7.2 Handling Devices Power Supply Pin Processing of an A/D Converter<br>[Improve] Removed "AVRL"  |
|          |         |                 | 7. Precautions and Handling Devices 7.2 Handling Devices Power-on Sequence of the Power Supply Analog Inputs of an A/D Converter<br>[Improve] Changed from "AVRL" to "AVSS" |
|          |         |                 | 8.Electric Characteristics 8.4.4.2 Power supply voltage stability conditions<br>[Improved] Improved timing chart  |
|          |         |                 | 8.Electric Characteristics 8.5 A/D Converter<br>[Improve] Removed "AVRL5" from Pin Name of Reference voltage AVRL(Symbol)   |
| *H       | 6054035 | 02/01/2018      | 8.Electric Characteristics 8.4.12 Display Controller<br>[Improve] Change spec of display controller timing.   |

| Revision   | ECN     | Submission Date | Description of Change  |
|--|---------|-----------------|--|
| *1   | 6195638 | 05/31/2018      | 2.Function List 2.2.1.1 S6J320A<br>[Enhance] Added revision P to Figure 2-1<br>[Enhance] Added remark 1), 2) of revision to Figure 2-1<br>[Improve] Removed the description of limitation of revision F from Notes                       |
|  |         |                 | 2.Function List 2.2.1.2 S6J320A<br>[Improve] Removed option Digit U and Pin count Digit L from Figure 2-2<br>[Improve] Removed function Digit A,C,D from Table 2-3   |
|  |         |                 | 2.Function List 2.2.1.3 S6J320E<br>[Improve] Removed option Digit U from Figure 2-3  |
|  |         |                 | 2.Function List 2.2.2 ID<br>[Enhance] Added Revision P of Function Digit 3,4,5,6,7,8,9 to table<br>[Improve] Removed Function Digit A,C,D from table<br>[Improve] Removed Option U of Function Digit B,K,L,M,N from table                |
|  |         |                 | 3. Product Description 3.2 Product Description<br>[Enhance] Added revision P to FPD-Link Converter of Table 3-1<br>[Improve] Removed "Note: -The description of the preliminary documentation will be changed without any notification." |
|  |         |                 | 4. Package and Pin Assignment 4.1 Pin Assignment<br>[Improve] Removed Function Digit A,C,D from table<br>[Improve] Removed TEQFP-216 of Function Digit B from table  |
|  |         |                 | 4. Package and Pin Assignment 4.1.1 TEQFP-216 Pin Assignment<br>[Improve] Removed Figure 4-9:TEQFP-216 (S6J32xALxx)  |
|  |         |                 | 6. Port Description 6.1 Port Description List<br>[Improve] Revised Description of G_SSEL0, G_SSEL1, M_SSEL0, M_SSEL1 from "HS-SPIx select" to "HS-SPI select x"  |
|  |         |                 | 7. Precautions and Handling Devices 7.2 Handling Devices<br>[Enhance] Added revision P to "Method to Switch off VCC12 during Power-off Sequence"   |
|  |         |                 | 8. Electric Characteristics 8.3.1 Port Function Characteristics<br>[Enhance] Added Hysteresis voltage (V <sub>HYS1-12</sub> )  |
|  |         |                 | 8. Electric Characteristics 8.3.2.1 Run Mode<br>[Enhance] Added revision P to Remark of "ILVDS"<br>[Improve] Removed function digit A,C,D from title   |
|  |         |                 | 8. Electric Characteristics 8.3.2.2 PSS Timer Mode Shutdown (PD6=OFF)<br>[Improve] Removed function digit A,C,D from title   |
|  |         |                 | 8. Electric Characteristics 8.3.2.3 PSS Stop Mode Shutdown<br>[Improve] Removed function digit A,C,D from title  |
|  |         |                 | 8. Electric Characteristics 8.4.3 Internal Clock Timing<br>[Improve] Removed function digit A,C,D from Notes:  |
|  |         |                 | 8. Electric Characteristics 8.4.4.2 Power Supply voltage stability conditions<br>[Enhance] Added revision P title and Notes:   |
| 8. Electric Characteristics 8.4.6.2 CSIO Timing (SMR: MD2-0=0b010)<br>[Improve] Removed function digit A,C,D from Remark |         |                 |  |

| Revision | ECN     | Submission Date | Description of Change  |
|----------|---------|-----------------|--|
|          |         |                 | 8. Electric Characteristics 8.4.10.4 LVDH1<br>[Enhance] Added revision P to Note and title of $t_{FV5}$ , $t_{FV12}$   |
|          |         |                 | 8. Electric Characteristics 8.4.12.1 Display Controller0 Timing (TTL Mode)<br>[Enhance] Added revision P to Notes:<br>[Improve] Removed function digit A,C,D from Note   |
|          |         |                 | 8. Electric Characteristics 8.4.12.2 Display Controller0 Timing (RSDS)<br>[Enhance] Added revision P to Notes:<br>[Improve] Removed function digit A,C,D from Notes:   |
|          |         |                 | 8. Electric Characteristics 8.4.12.3 Display Controller1 Timing<br>[Enhance] Added revision P to Notes:  |
|          |         |                 | 8. Electric Characteristics 8.4.14.1 For Revision M<br>[Enhance] Added revision P title and Notes:   |
|          |         |                 | 8. Electric Characteristics 8.4.16.3 Hyper Bus Read Timing (HyperFlash)<br>[Enhance] Revised revision G to revision H, M, P of (C)   |
|          |         |                 | 8. Electric Characteristics 8.4.16.4 Hyper Bus Read Timing (HyperRAM)<br>[Enhance] Revised after revision G to revision H, M, P of (C)   |
|          |         |                 | 8. Electric Characteristics 8.7.2 Notes<br>[Enhance] Added revision P to Notes   |
|          |         |                 | 10. Ordering Information<br>[Improve] Removed S6J32BALSExC2000x, S6J32DAKSExE2000x, S6J32DALSExC2000x and added S6J32K/L/M/N devices<br>[Enhance] Added revision P devices<br>[Enhance] Added option U devices<br>[Improve] Defined ordering options for all devices   |
| *J       | 6269495 | 08/01/2018      | 11. Errata<br>[Improve] Added Errata chapter as new chapter  |
| *K       | 6530775 | 04/04/2019      | 8. Electric Characteristics 8.4.1 Source Clock Timing<br>[Enhance] CAN PLL jitter<br><br>8. Electric Characteristics 8.4.15.1 DDR-HSSPI<br>[Improve] Revised timing figure.<br><br>10. Ordering Information Table 10 1: Order Part Number Table<br>[Improve] Removed S6J323CKSMSE2000A, S6J323CLSMSC2000A, S6J324CLSMSC20000, S6J326CKSMSE20000, S6J328CKSMSE2000A, S6J328CLSMSC2000A, S6J329CLSMSC2000A<br>[Enhance] Added S6J328CLSPSC2D000, S6J329CLSPSC2D000 |
| *L       | 6577217 | 05/24/2019      | Updated to new template.   |
| *M       | 6669328 | 09/10/2019      | 4. Pin Assign<br>[Enhance] Added the same color as the power supply to pin in Figure 4-2 to Figure 4-17<br><br>8. Electric Characteristics 8.4.3 Internal Clock Timing<br>[Improve] Updated the explanation of “Unused” in Notes   |

| Revision | ECN     | Submission Date | Description of Change  |
|----------|---------|-----------------|--|
|          |         |                 | <p>8. Electric Characteristics 8.5.2 Notes on A/D Converters<br/>[Enhance] Added the formula of sampling time</p> <p>10. Ordering Information Table 10 1: Order Part Number Table<br/>[Improve] Removed S6J323CLUMSC20000 S6J325CKSMSE20000<br/>S6J325CLSMSC20000 S6J325CLUMSC20000 S6J326CLSMSC20000<br/>S6J327CKSMSE20000 S6J327CLSMSC20000 S6J327CLUMSC20000<br/>S6J329CKSMSE20000 S6J329CKUMSE20000</p>  |
| *N       | 6934532 | 08/11/2020      | <p>2. Function List 2.1 Function List<br/>[Improve] Corrected Table 2-1: Display clock of ch0 80MHz -&gt; 64MHz</p> <p>2. Function List 2.2.1.1 S6J320C<br/>[Improve] Revised Figure 2 1: Option and Part Number for S6J320C</p> <p>2. Function List 2.2.1.3 S6J320E<br/>[Improve] Revised Figure 2-3: Option and Part Number for S6J320E</p> <p>2. Function List 2.2.3 Restriction<br/>[Improve] Remove note "TEQFP-256 is a package option under planning"</p> <p>10. Ordering Information Table 10 1: Order Part Number Table<br/>[Improve] Remove "It is under planning." from annotations below the table</p> |
| *O       | 7100560 | 03/15/2021      | <p>Updated 11. Errata<br/>For details, see 13. Major Changes.</p>  |
| *P       | 7238483 | 08/23/2021      | <p>Updated Function List:<br/>Updated Optional Function:<br/>Updated Basic Option:<br/>Updated S6J320E:<br/>Updated Figure 2-3.<br/>Completing Sunset Review.</p>  |
| *Q       | 7402560 | 10/27/2021      | <p>Updated 11. Errata.<br/>For details, see 13. Major Changes.</p>   |

## Sales, Solutions, and Legal Information

### Worldwide Sales and Design Support

Cypress maintains a worldwide network of offices, solution centers, manufacturer’s representatives, and distributors. To find the office closest to you, visit us at [Cypress Locations](#).

#### Products

|                               |  |
|-------------------------------|--|
| Arm® Cortex® Microcontrollers | <a href="http://cypress.com/arm">cypress.com/arm</a>               |
| Automotive                    | <a href="http://cypress.com/automotive">cypress.com/automotive</a> |
| Clocks & Buffers              | <a href="http://cypress.com/clocks">cypress.com/clocks</a>         |
| Interface                     | <a href="http://cypress.com/interface">cypress.com/interface</a>   |
| Internet of Things            | <a href="http://cypress.com/iot">cypress.com/iot</a>               |
| Memory                        | <a href="http://cypress.com/memory">cypress.com/memory</a>         |
| Microcontrollers              | <a href="http://cypress.com/mcu">cypress.com/mcu</a>               |
| PSoC                          | <a href="http://cypress.com/psoc">cypress.com/psoc</a>             |
| Power Management ICs          | <a href="http://cypress.com/pmhc">cypress.com/pmhc</a>             |
| Touch Sensing                 | <a href="http://cypress.com/touch">cypress.com/touch</a>           |
| USB Controllers               | <a href="http://cypress.com/usb">cypress.com/usb</a>               |
| Wireless Connectivity         | <a href="http://cypress.com/wireless">cypress.com/wireless</a>     |

#### PSoC® Solutions

[PSoC 1](#) | [PSoC 3](#) | [PSoC 4](#) | [PSoC 5LP](#) | [PSoC 6 MCU](#)

#### Cypress Developer Community

[Community](#) | [Code Examples](#) | [Projects](#) | [Videos](#) | [Blogs](#) | [Training](#) | [Components](#)

#### Technical Support

[cypress.com/support](http://cypress.com/support)

Arm and Cortex are registered trademarks of Arm Limited (or its subsidiaries) in the US and/or elsewhere.

© Cypress Semiconductor Corporation, 2015-2021. This document is the property of Cypress Semiconductor Corporation and its subsidiaries (“Cypress”). This document, including any software or firmware included or referenced in this document (“Software”), is owned by Cypress under the intellectual property laws and treaties of the United States and other countries worldwide. Cypress reserves all rights under such laws and treaties and does not, except as specifically stated in this paragraph, grant any license under its patents, copyrights, trademarks, or other intellectual property rights. If the Software is not accompanied by a license agreement and you do not otherwise have a written agreement with Cypress governing the use of the Software, then Cypress hereby grants you a personal, non-exclusive, nontransferable license (without the right to sublicense) (1) under its copyright rights in the Software (a) for Software provided in source code form, to modify and reproduce the Software solely for use with Cypress hardware products, only internally within your organization, and (b) to distribute the Software in binary code form externally to end users (either directly or indirectly through resellers and distributors), solely for use on Cypress hardware product units, and (2) under those claims of Cypress’s patents that are infringed by the Software (as provided by Cypress, unmodified) to make, use, distribute, and import the Software solely for use with Cypress hardware products. Any other use, reproduction, modification, translation, or compilation of the Software is prohibited.

TO THE EXTENT PERMITTED BY APPLICABLE LAW, CYPRESS MAKES NO WARRANTY OF ANY KIND, EXPRESS OR IMPLIED, WITH REGARD TO THIS DOCUMENT OR ANY SOFTWARE OR ACCOMPANYING HARDWARE, INCLUDING, BUT NOT LIMITED TO, THE IMPLIED WARRANTIES OF MERCHANTABILITY AND FITNESS FOR A PARTICULAR PURPOSE. No computing device can be absolutely secure. Therefore, despite security measures implemented in Cypress hardware or software products, Cypress shall have no liability arising out of any security breach, such as unauthorized access to or use of a Cypress product. CYPRESS DOES NOT REPRESENT, WARRANT, OR GUARANTEE THAT CYPRESS PRODUCTS, OR SYSTEMS CREATED USING CYPRESS PRODUCTS, WILL BE FREE FROM CORRUPTION, ATTACK, VIRUSES, INTERFERENCE, HACKING, DATA LOSS OR THEFT, OR OTHER SECURITY INTRUSION (collectively, “Security Breach”). Cypress disclaims any liability relating to any Security Breach, and you shall and hereby do release Cypress from any claim, damage, or other liability arising from any Security Breach. In addition, the products described in these materials may contain design defects or errors known as errata which may cause the product to deviate from published specifications. To the extent permitted by applicable law, Cypress reserves the right to make changes to this document without further notice. Cypress does not assume any liability arising out of the application or use of any product or circuit described in this document. Any information provided in this document, including any sample design information or programming code, is provided only for reference purposes. It is the responsibility of the user of this document to properly design, program, and test the functionality and safety of any application made of this information and any resulting product. “High-Risk Device” means any device or system whose failure could cause personal injury, death, or property damage. Examples of High-Risk Devices are weapons, nuclear installations, surgical implants, and other medical devices. “Critical Component” means any component of a High-Risk Device whose failure to perform can be reasonably expected to cause, directly or indirectly, the failure of the High-Risk Device, or to affect its safety or effectiveness. Cypress is not liable, in whole or in part, and you shall and hereby do release Cypress from any claim, damage, or other liability arising from any use of a Cypress product as a Critical Component in a High-Risk Device. You shall indemnify and hold Cypress, its directors, officers, employees, agents, affiliates, distributors, and assigns harmless from and against all claims, costs, damages, and expenses, arising out of any claim, including claims for product liability, personal injury or death, or property damage arising from any use of a Cypress product as a Critical Component in a High-Risk Device. Cypress products are not intended or authorized for use as a Critical Component in any High-Risk Device except to the limited extent that (i) Cypress’s published data sheet for the product explicitly states Cypress has qualified the product for use in a specific High-Risk Device, or (ii) Cypress has given you advance written authorization to use the product as a Critical Component in the specific High-Risk Device and you have signed a separate indemnification agreement.

Cypress, the Cypress logo, Spansion, the Spansion logo, and combinations thereof, WICED, PSoC, CapSense, EZ-USB, F-RAM, and Traveo are trademarks or registered trademarks of Cypress in the United States and other countries. For a more complete list of Cypress trademarks, visit [cypress.com](http://cypress.com). Other names and brands may be claimed as property of their respective owners.

## Looking for pricing, stock, or lifecycle information?

Click below to explore more details on WIN SOURCE:

 [View S6J328CKSPSE20000 on WIN SOURCE](#)

 [Cypress Semiconductor Corp](#) Information

## Optimize Your Supply Chain with WIN SOURCE Solutions

-  Global Sourcing Solution
-  Obsolete Management
-  Cost Control Management
-  Shortage Management
-  Alternative Solution
-  Excess Inventory Management