



**THE DATASHEET OF  
SE-601-0T**

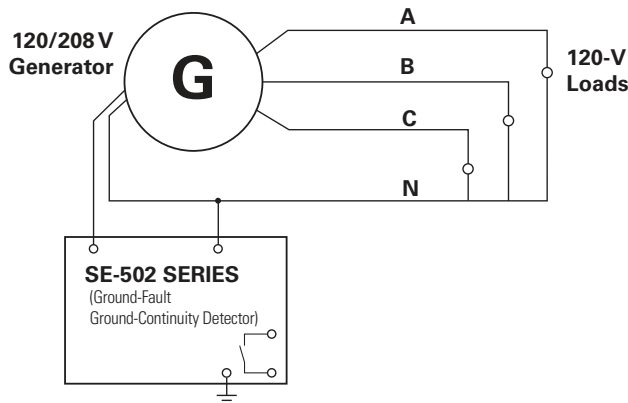


# SE-502 SERIES

## Ground-Fault Ground-Continuity Detector



### Simplified Circuit Diagram



### Ordering Information

ORDERING NUMBER	CONTROL POWER
SE-502-01	120 Vac

### Description

The SE-502 Ground-Fault Ground-Continuity Detector provides Class-A GFCI trip level and trip times for personnel protection. As little as 5 mA of ground-fault current can be detected, and the internal neutral-grounding resistor limits the maximum ground-fault current to 100 mA. The SE-502 can be used on both energized and de-energized systems, and will continuously monitor neutral continuity, detect a load-side grounded neutral, and is capable of ground proving. These features make the SE-502 ideal for use with 120/208 V portable generators and in heat-trace applications.

### Features & Benefits



FEATURES	BENEFITS
<b>Sensitive 5 mA ground-fault detection</b>	Can be used with an appropriate breaker to provide Class A GFCI people protection
<b>Internal neutral-grounding resistor</b>	Limits maximum ground-fault current to 100 mA, creates a safer system and eliminates arc-flash ground-fault hazards
<b>Neutral-to-ground connection monitoring</b>	Can detect a hazardous ungrounded condition and trip or alarm
<b>On- and off-line monitoring</b>	Can detect a ground fault when the system is energized or de-energized
<b>Output contacts</b>	Two Form C output contacts for alarming or tripping purposes

### Specifications

<b>IEEE Device Numbers</b>	Ground (Earth) Detector Relay (64) Lockout Relay (86) Open-Neutral Detector Relay (95)
<b>Input Voltage</b>	120 Vac, 50/60 Hz
<b>Dimensions</b>	<b>H</b> 75 mm (3.0") <b>W</b> 100 mm (4.0") <b>D</b> 113 mm (4.4")
<b>Trip Level Settings</b>	5 ± 0.9 mA
<b>Trip Time Settings</b>	Class A GFCI to 25 ms maximum
<b>Contact Operating Mode</b>	Trip: fail-safe or non-fail-safe Alarm: fail-safe
<b>Reset Button</b>	Standard feature plus remote input
<b>Output Contacts</b>	Two Form C
<b>Warranty</b>	5 years
<b>Mounting</b>	DIN, Surface

## Looking for pricing, stock, or lifecycle information?

Click below to explore more details on WIN SOURCE:

-  [View SE-601-0T on WIN SOURCE](#)
-  [Littelfuse Inc. Information](#)

## Optimize Your Supply Chain with WIN SOURCE Solutions

-  Global Sourcing Solution
-  Obsolete Management
-  Cost Control Management
-  Shortage Management
-  Alternative Solution
-  Excess Inventory Management