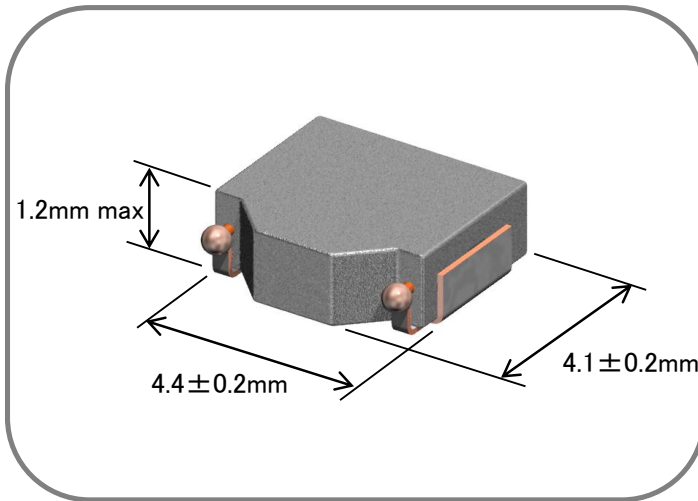




**THE DATASHEET OF
SPM4012T-4R7M-CA02**



Component Image & Dimension



Features

- a) Small Footprint and Low Profile Design :
Footprint : 4.4 x 4.1 mm Typ.
Height : 1.2mm Max.
- b) High Power Handling Capability :
Small Copper Loss
Using Large Saturation Induction of Fe- based metals
- c) Wide Range Operating Temperature due to High Curie Temperature of metal core
- d) Automatic Mounting in Tape&Reel Package.

Applications

Note Book & Mobile Computer, VRM, Cellular Phone, HDD etc.

Electrical Specification

TDK Identification	Inductance		Test Freq. (kHz)	DC Resistance		Rated DC Current		
	at 0A (uH)	Tol. (%)		Spec. (m-Ohm)	Typ. (m-Ohm)	Idc 1 (A) max.	Idc 1 (A) typ.	Idc 2 (A) typ.
SPM4012T- R47M-CA	0.47	+/-20%	100	25 max	23	6.0	8.0	5.6
SPM4012T- 1R0M-CA	1.0	+/-20%	100	45 max	38	4.8	6.0	4.3
SPM4012T- 1R5M-CA	1.5	+/-20%	100	70 max	59	3.5	4.8	3.5
SPM4012T- 2R2M-CA	2.2	+/-20%	100	95 max	82	3.3	4.4	2.9
SPM4012T- 3R3M-CA	3.3	+/-20%	100	145 max	123	2.8	3.5	2.4
SPM4012T- 4R7M-CA	4.7	+/-20%	100	205 max	178	2.0	2.5	2.0

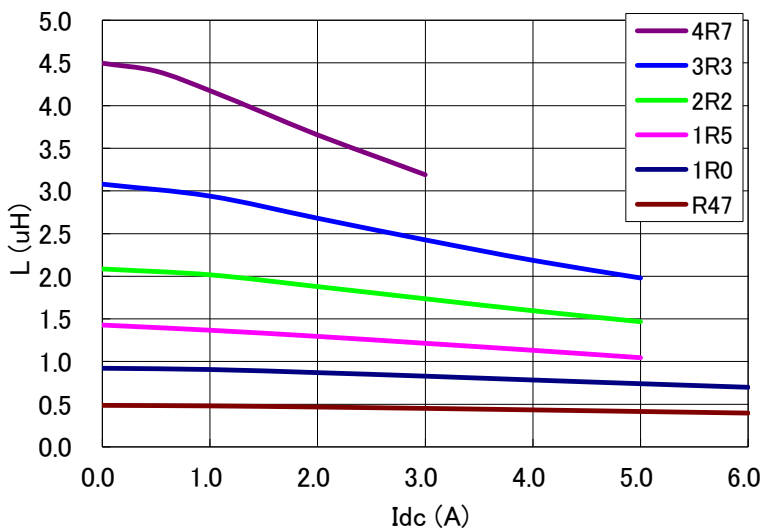
Note. Idc 1 : Based on the inductance change. (-30% Reduction from Nominal L Value)

Idc 2 : Based on the self temperature rise. (+40 deg typ.)

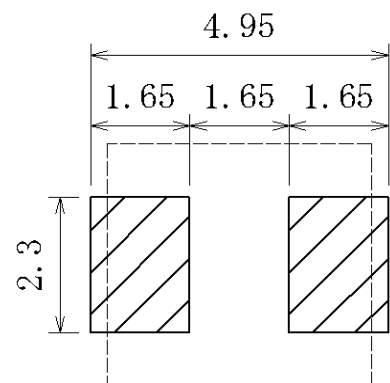
Operating Temperature Range: -40 °C ~ +125 °C (including self temperature rise)

Caution: Please contact our sales person when you consider organic solvent or aqueous cleaning.

Inductance vs. DC Superposition



Recommended pad layout



Looking for pricing, stock, or lifecycle information?

Click below to explore more details on WIN SOURCE:

- ⊖ [View SPM4012T-4R7M-CA02 on WIN SOURCE](#)
- ⊖ [TDK Corporation](#) Information

Optimize Your Supply Chain with WIN SOURCE Solutions

- ✓ Global Sourcing Solution
- ✓ Obsolete Management
- ✓ Cost Control Management
- ✓ Shortage Management
- ✓ Alternative Solution
- ✓ Excess Inventory Management