



**THE DATASHEET OF
SL1720-681K1R0-PF**



Radial Lead Inductors(Coils) For Power Line

Conformity to RoHS Directive

SL Series SL1720

FEATURES

- This is a low Rdc, best for the power supply line.
- There is a series of many types from low inductance to high inductance in large current.
- It is a product conforming to RoHS directive.

APPLICATIONS

Televisions, CRT displays, printers, and various types of electronic products.

SPECIFICATIONS

| | |
|-----------------------------|---|
| Operating temperature range | -40 to +85°C [Including self-temperature rise] |
| Storage temperature range | -40 to +85°C [Unit of products] |
| Terminal strength | 9.8N min. |
| Flow soldering condition | 260°C /10 seconds |

PRODUCT IDENTIFICATION

| | | | | | | | |
|-----|------|-----|-----|-----|-----|---|----|
| SL | 1720 | - | 151 | K | 2R1 | - | PF |
| (1) | (2) | (3) | (4) | (5) | (6) | | |

(1)Series name

(2)Dimensions

| Type | Dimension | Lead pitch |
|------|--------------|------------|
| 1720 | ø16.9×20.5mm | 10mm |

(3)Inductance value

| | |
|-----|--------|
| 151 | 150μH |
| 102 | 1000μH |

(4)Inductance tolerance

| | |
|---|------|
| K | ±10% |
|---|------|

(5)Rated current

| | |
|-----|------|
| 2R1 | 2.1A |
| R60 | 0.6A |

(6)Lead-free compatible product

| | |
|----|------------------------------|
| PF | Lead-free compatible product |
|----|------------------------------|

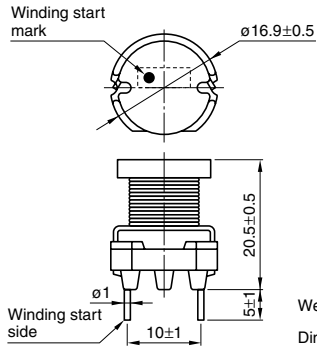
PACKAGING STYLE AND QUANTITIES

| Packaging style | Quantity |
|-----------------|-----------------|
| Bulk | 100 pieces/tray |

• Conformity to RoHS Directive: This means that, in conformity with EU Directive 2002/95/EC, lead, cadmium, mercury, hexavalent chromium, and specific bromine-based flame retardants, PBB and PBDE, have not been used, except for exempted applications.

• All specifications are subject to change without notice.

SHAPES AND DIMENSIONS



Weight: 13g typ.
Dimensions in mm



ELECTRICAL CHARACTERISTICS

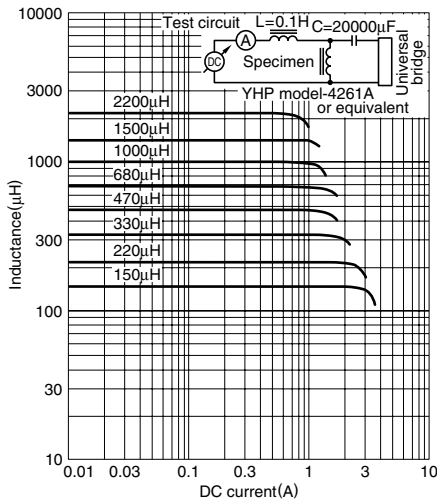
| Inductance (μH) | Inductance tolerance | DC resistance (Ω) max. | Rated current(A)* max. | | Part No. |
|-----------------|----------------------|------------------------|----------------------------|---------------------------|-------------------|
| | | | Based on inductance change | Based on temperature rise | |
| 150 | ±10% | 0.1 | 3 | 2.1 | SL1720-151K2R1-PF |
| 220 | ±10% | 0.13 | 2.6 | 1.8 | SL1720-221K1R8-PF |
| 330 | ±10% | 0.18 | 2 | 1.5 | SL1720-331K1R5-PF |
| 470 | ±10% | 0.27 | 1.7 | 1.3 | SL1720-471K1R3-PF |
| 680 | ±10% | 0.38 | 1.4 | 1 | SL1720-681K1R0-PF |
| 1000 | ±10% | 0.54 | 1.1 | 0.9 | SL1720-102KR90-PF |
| 1500 | ±10% | 0.86 | 0.98 | 0.72 | SL1720-152KR72-PF |
| 2200 | ±10% | 1.22 | 0.81 | 0.6 | SL1720-222KR60-PF |

* Rated current: Value obtained when current flows and self-temperature has risen to 25°C.

- Test equipment Inductance: LCR METER YHP4261A, or equivalent
Rdc: MILLIOHM METER VP-2941A MATSUSHITA, or equivalent

TYPICAL ELECTRICAL CHARACTERISTICS

INDUCTANCE CHANGE vs. DC SUPERPOSITION CHARACTERISTICS



• All specifications are subject to change without notice.

Looking for pricing, stock, or lifecycle information?

Click below to explore more details on WIN SOURCE:

- ⊖ [View SL1720-681K1R0-PF on WIN SOURCE](#)
- ⊖ [TDK Corporation Information](#)

Optimize Your Supply Chain with WIN SOURCE Solutions

- ✓ Global Sourcing Solution
- ✓ Obsolete Management
- ✓ Cost Control Management
- ✓ Shortage Management
- ✓ Alternative Solution
- ✓ Excess Inventory Management