



**THE DATASHEET OF  
SL1923-471K1R5-PF**



# Radial Lead Inductors(Coils) For Power Line

Conformity to RoHS Directive

## SL Series SL1923

### FEATURES

- This is a low Rdc, best for the power supply line.
- There is a series of many types from low inductance to high inductance in large current.
- It is a product conforming to RoHS directive.

### APPLICATIONS

Televisions, CRT displays, printers, and various types of electronic products.

### SPECIFICATIONS

Operating temperature range	-40 to +85°C [Including self-temperature rise]
Storage temperature range	-40 to +85°C [Unit of products]
Terminal strength	9.8N min.
Flow soldering condition	260°C /10 seconds

### PRODUCT IDENTIFICATION

SL	1923	-	471	K	1R5	-	PF
(1)	(2)	(3)	(4)	(5)	(6)		

(1)Series name

(2)Dimensions

Type	Dimension	Lead pitch
1923	ø18.8×23.5mm	10mm

(3)Inductance value

471	470μH
102	1000μH

(4)Inductance tolerance

K	±10%
---	------

(5)Rated current

1R5	1.5A
R26	0.26A

(6)Lead-free compatible product

PF	Lead-free compatible product
----	------------------------------

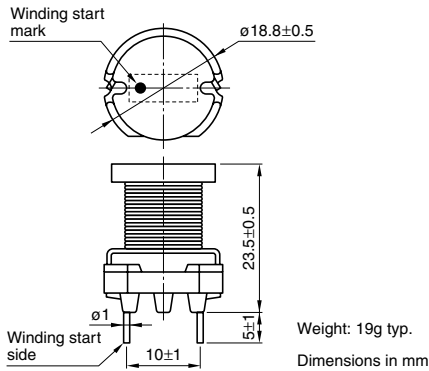
### PACKAGING STYLE AND QUANTITIES

Packaging style	Quantity
Bulk	100 pieces/tray

• Conformity to RoHS Directive: This means that, in conformity with EU Directive 2002/95/EC, lead, cadmium, mercury, hexavalent chromium, and specific bromine-based flame retardants, PBB and PBDE, have not been used, except for exempted applications.

• All specifications are subject to change without notice.

## SHAPES AND DIMENSIONS



## ELECTRICAL CHARACTERISTICS

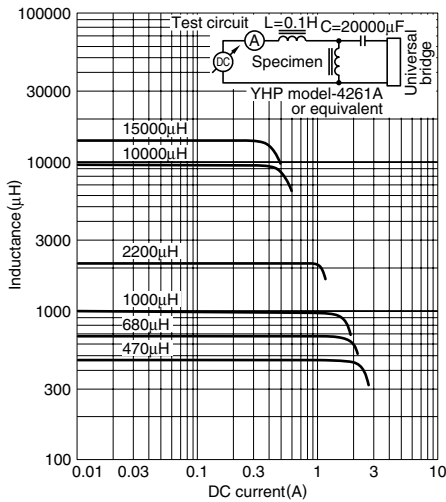
Inductance ( $\mu\text{H}$ )	Inductance tolerance	DC resistance ( $\Omega$ ) max.	Rated current(A)* max.		Part No.
			Based on inductance change	Based on temperature rise	
470	$\pm 10\%$	0.2	2.1	1.5	SL1923-471K1R5-PF
680	$\pm 10\%$	0.29	1.8	1.3	SL1923-681K1R3-PF
1000	$\pm 10\%$	0.41	1.4	1.1	SL1923-102K1R1-PF
2200	$\pm 10\%$	1	1	0.7	SL1923-222KR70-PF
10000	$\pm 10\%$	4.3	0.46	0.33	SL1923-103KR33-PF
15000	$\pm 10\%$	7.1	0.38	0.26	SL1923-153KR26-PF

\* Rated current: Value obtained when current flows and self-temperature has risen to 25°C.

- Test equipment Inductance: LCR METER YHP4261A, or equivalent  
Rdc: MILLIOHM METER VP-2941A MATSUSHITA, or equivalent

## TYPICAL ELECTRICAL CHARACTERISTICS

### INDUCTANCE CHANGE vs. DC SUPERPOSITION CHARACTERISTICS



• All specifications are subject to change without notice.

## Looking for pricing, stock, or lifecycle information?

Click below to explore more details on WIN SOURCE:

- ⊖ [View SL1923-471K1R5-PF on WIN SOURCE](#)
- ⊖ [TDK Corporation Information](#)

## Optimize Your Supply Chain with WIN SOURCE Solutions

- ✓ Global Sourcing Solution
- ✓ Obsolete Management
- ✓ Cost Control Management
- ✓ Shortage Management
- ✓ Alternative Solution
- ✓ Excess Inventory Management