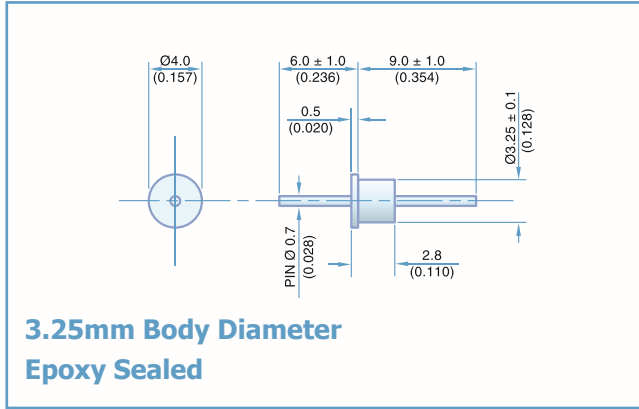
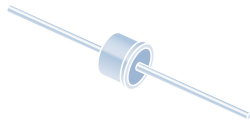




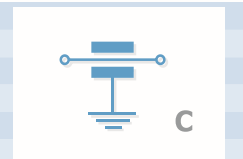
**THE DATASHEET OF
SFSTC5000151MC0**





Electrical Details

| | |
|------------------------------|-----------------|
| Electrical Configuration | C Filter |
| Capacitance Measurement | @ 1000hr Point |
| Current Rating | 10A |
| Insulation Resistance (IR) | 10GΩ or 1000ΩF |
| Temperature Rating | -55°C to +125°C |
| Ferrite Inductance (Typical) | Not Applicable |



Mechanical Details

| | |
|---------------------------|----------------------------------|
| Body Flange Diameter | 4.0mm (0.157") |
| Mounting Hole Diameter | 3.5mm (0.138") |
| Max Soldering Temperature | 250°C |
| Temperature Rise | Less than 4°C per second |
| Soldering Time | 10 seconds maximum |
| Solder Type | Sn62/SAC or equivalent |
| Weight (Typical) | 0.4g (0.015oz) |
| Finish | Silver plate on copper undercoat |

| Product Code | Capacitance (±20%) UOS | Dielectric | Rated Voltage (Vdc) | DWV (Vdc) | Typical No-Load Insertion Loss (dB) | | | | | | | | |
|------------------|------------------------|------------|---------------------|-----------|-------------------------------------|--------|------|-------|--------|------|----|----|-----|
| | | | | | 0.01MHz | 0.1MHz | 1MHz | 10MHz | 100MHz | 1GHz | | | |
| SFSTC5000100ZC0 | 10pF -20% / +80% | COG/NP0 | 500# | 750 | - | - | - | - | - | 4 | | | |
| SFSTC5000150ZC0 | 15pF -20% / +80% | | | | - | - | - | - | - | 7 | | | |
| SFSTC5000220ZC0 | 22pF -20% / +80% | | | | - | - | - | - | - | 10 | | | |
| SFSTC5000330ZC0 | 33pF -20% / +80% | | | | - | - | - | - | - | 12 | | | |
| SFSTC5000470ZC0 | 47pF -20% / +80% | | | | - | - | - | - | 1 | 15 | | | |
| SFSTC5000680MC0 | 68pF | | | | - | - | - | - | 2 | 18 | | | |
| *SFSTC5000101MC0 | 100pF | | | | - | - | - | - | 4 | 22 | | | |
| SFSTC5000151MC0 | 150pF | | | | - | - | - | - | 7 | 25 | | | |
| SFSTC5000221MC0 | 220pF | | | | - | - | - | - | 10 | 29 | | | |
| SFSTC5000331MC0 | 330pF | | | | - | - | - | - | 13 | 33 | | | |
| SFSTC5000471MC0 | 470pF | | | | - | - | - | 1 | 16 | 35 | | | |
| SFSTC5000681MC0 | 680pF | | | | - | - | - | 2 | 19 | 39 | | | |
| SFSTC5000102MX0 | 1.0nF | | | | X7R | 300 | 600 | - | - | - | 4 | 23 | 41 |
| *SFSTC5000152MX0 | 1.5nF | | | | | | | - | - | - | 7 | 26 | 45 |
| *SFSTC5000222MX0 | 2.2nF | | | | | | | - | - | - | 10 | 30 | 50 |
| *SFSTC5000332MX0 | 3.3nF | - | - | - | | | | 13 | 33 | 52 | | | |
| *SFSTC5000472MX0 | 4.7nF | - | - | 1 | | | | 16 | 36 | 55 | | | |
| SFSTC5000682MX0 | 6.8nF | - | - | 2 | | | | 19 | 39 | 57 | | | |
| *SFSTC5000103MX0 | 10nF | - | - | 4 | | | | 22 | 41 | 60 | | | |
| SFSTC5000153MX0 | 15nF | - | - | 7 | | | | 25 | 44 | 62 | | | |
| *SFSTC5000223MX0 | 22nF | - | - | 10 | | | | 29 | 46 | 65 | | | |
| *SFSTC3000333MX0 | 33nF | - | 200 | 500 | | | | - | 1 | 16 | 35 | 50 | 70 |
| SFSTC2000473MX0 | 47nF | - | 100 | 250 | | | | - | 2 | 19 | 39 | 54 | >70 |
| SFSTC1000683MX0 | 68nF | - | 50 | 125 | | | | - | 4 | 22 | 41 | 57 | >70 |
| SFSTC0500104MX0 | 100nF | - | | | | | | - | | | | | |

Also rated for operation at 115Vac 400Hz. Self heating will occur - evaluation in situ recommended.
* Recommended values.

Ordering Information - SFSTC range

| SF | S | T | C | 500 | 0223 | M | X | O |
|--------------|------------|--------|--------------------------|--|---|---------------------------------------|--------------------------------------|--------------------|
| Type | Case style | Dia. | Electrical configuration | Voltage (dc) | Capacitance in picofarads (pF) | Tolerance | Dielectric | Nuts & Washers |
| Syfer Filter | Solder | 3.25mm | C = C Filter | 050 = 50V 100 = 100V 200 = 200V 300 = 300V 500 = 500V | First digit is 0. Second and third digits are significant figures of capacitance code. The fourth digit is number of zeros following Example: 0101 = 100pF 0332 = 3300pF | M = ±20% Z = -20+80% | C = COG/NP0 X = X7R | O = Without |

Note: The addition of a 4-digit numerical suffix code can be used to denote changes to the standard part. Options include for example: change of finish / alternative voltage rating / non-standard intermediate capacitance values / test requirements. Please refer specific requests to the factory.

Looking for pricing, stock, or lifecycle information?

Click below to explore more details on WIN SOURCE:

 [View SFSTC5000151MC0 on WIN SOURCE](#)

 [Knowles Syfer](#) Information

Optimize Your Supply Chain with WIN SOURCE Solutions

-  Global Sourcing Solution
-  Obsolete Management
-  Cost Control Management
-  Shortage Management
-  Alternative Solution
-  Excess Inventory Management