



**THE DATASHEET OF  
LTC7138MPMSE#TRPBF**



## FEATURES

- Wide Operating Input Voltage Range: 4V to 140V
- Internal Low Resistance Power MOSFET
- No Compensation Required
- Adjustable 100mA to 400mA Maximum Output Current
- Low Dropout Operation: 100% Duty Cycle
- Low Quiescent Current: 12 $\mu$ A
- Wide Output Range: 0.8V to  $V_{IN}$
- 0.8V  $\pm$ 1% Feedback Voltage Reference
- Precise RUN Pin Threshold
- Internal or External Soft-Start
- Programmable 1.8V, 3.3V, 5V or Adjustable Output
- Few External Components Required
- Programmable Input Overvoltage Lockout
- Thermally Enhanced High Voltage MSOP Package

## APPLICATIONS

- Industrial Control Supplies
- Medical Devices
- Distributed Power Systems
- Portable Instruments
- Battery-Operated Devices
- Avionics
- Automotive

## DESCRIPTION

The LTC<sup>®</sup>7138 is a high efficiency step-down DC/DC regulator with internal power switch that draws only 12 $\mu$ A typical DC supply current while maintaining a regulated output voltage at no load.

The LTC7138 can supply up to 400mA load current and features a programmable peak current limit that provides a simple method for optimizing efficiency and for reducing output ripple and component size. The LTC7138's combination of Burst Mode<sup>®</sup> operation, integrated power switch, low quiescent current, and programmable peak current limit provides high efficiency over a broad range of load currents.

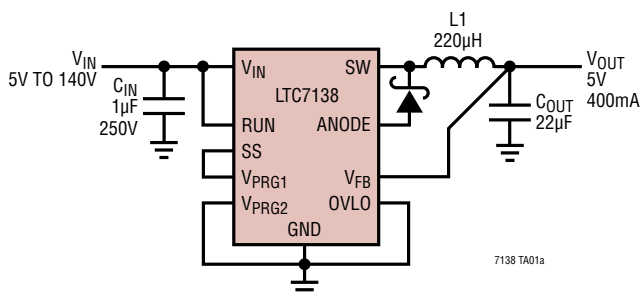
With its wide input range of 4V to 140V and programmable overvoltage lockout, the LTC7138 is a robust regulator suited for regulating from a wide variety of power sources. Additionally, the LTC7138 includes a precise run threshold and soft-start feature to guarantee that the power system start-up is well-controlled in any environment. A feedback comparator output enables multiple LTC7138s to be connected in parallel for higher current applications.

The LTC7138 is available in a thermally enhanced high voltage-capable 16-lead MSE package with four missing pins.

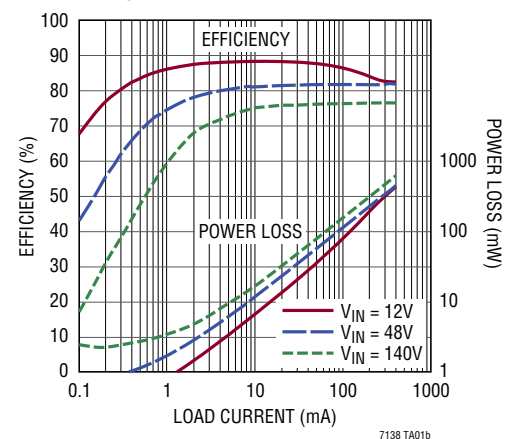
LT, LT, LTC, LTM, Burst Mode, Linear Technology and the Linear logo are registered trademarks of Linear Technology Corporation. All other trademarks are the property of their respective owners.

## TYPICAL APPLICATION

### 5V to 140V Input to 5V Output, 400mA Step-Down Regulator



### Efficiency and Power Loss vs Load Current



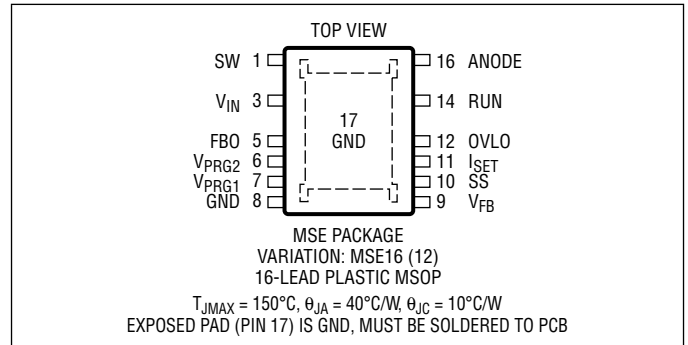
# LTC7138

## ABSOLUTE MAXIMUM RATINGS

(Note 1)

$V_{IN}$ Supply Voltage.....	-0.3V to 140V
RUN Voltage.....	-0.3V to 140V
SS, FBO, OVLO, $I_{SET}$ Voltages.....	-0.3V to 6V
$V_{FB}$ , $V_{PRG1}$ , $V_{PRG2}$ Voltages.....	-0.3V to 6V
Operating Junction Temperature Range (Notes 2, 3, 4)	
LTC7138E, LTC7138I.....	-40°C to 125°C
LTC7138H.....	-40°C to 150°C
LTC7138MP.....	-55°C to 150°C
Storage Temperature Range.....	-65°C to 150°C
Lead Temperature (Soldering, 10 sec).....	300°C

## PIN CONFIGURATION



## ORDER INFORMATION

LEAD FREE FINISH	TAPE AND REEL	PART MARKING*	PACKAGE DESCRIPTION	TEMPERATURE RANGE
LTC7138EMSE#PBF	LTC7138EMSE#TRPBF	7138	16-Lead Plastic MSOP	-40°C to 125°C
LTC7138IMSE#PBF	LTC7138IMSE#TRPBF	7138	16-Lead Plastic MSOP	-40°C to 125°C
LTC7138HMSE#PBF	LTC7138HMSE#TRPBF	7138	16-Lead Plastic MSOP	-40°C to 150°C
LTC7138MPMSE#PBF	LTC7138MPMSE#TRPBF	7138	16-Lead Plastic MSOP	-55°C to 150°C

Consult LTC Marketing for parts specified with wider operating temperature ranges. \*The temperature grade is identified by a label on the shipping container. Consult LTC Marketing for information on non-standard lead based finish parts.

For more information on lead free part marking, go to: <http://www.linear.com/leadfree/>

For more information on tape and reel specifications, go to: <http://www.linear.com/tapeandreeel/>

## ELECTRICAL CHARACTERISTICS

The ● denotes the specifications which apply over the specified operating junction temperature range, otherwise specifications are at  $T_A = 25^\circ\text{C}$  (Note 2).  $V_{IN} = 12\text{V}$ , unless otherwise noted.

SYMBOL	PARAMETER	CONDITIONS	MIN	TYP	MAX	UNITS
<b>Input Supply (<math>V_{IN}</math>)</b>						
$V_{IN}$	Input Voltage Operating Range		4		140	V
$V_{OUT}$	Output Voltage Operating Range		0.8		$V_{IN}$	V
UVLO	$V_{IN}$ Undervoltage Lockout	$V_{IN}$ Rising $V_{IN}$ Falling Hysteresis	● 3.5 ● 3.3	3.75 3.5 250	4.0 3.8	V V mV
$I_Q$	DC Supply Current (Note 5)					
	Active Mode			200	400	$\mu\text{A}$
	Sleep Mode	No Load		12	22	$\mu\text{A}$
	Shutdown Mode	$V_{RUN} = 0\text{V}$		1.4	6	$\mu\text{A}$
$V_{RUN}$	RUN Pin Threshold	RUN Rising RUN Falling Hysteresis	1.17 1.06	1.21 1.10 110	1.25 1.14	V V mV
$I_{RUN}$	RUN Pin Leakage Current	RUN = 1.3V	-10	0	10	nA
$V_{OVLO}$	OVLO Pin Threshold	OVLO Rising OVLO Falling Hysteresis	1.17 1.06	1.21 1.10 110	1.25 1.14	V V mV

7138f

## ELECTRICAL CHARACTERISTICS

The ● denotes the specifications which apply over the specified operating junction temperature range, otherwise specifications are at  $T_A = 25^\circ\text{C}$  (Note 2).  $V_{IN} = 12\text{V}$ , unless otherwise noted.

SYMBOL	PARAMETER	CONDITIONS		MIN	TYP	MAX	UNITS
<b>Output Supply (<math>V_{FB}</math>)</b>							
$V_{FB(ADJ)}$	Feedback Comparator Threshold (Adjustable Output)	$V_{FB}$ Rising, $V_{PRG1} = V_{PRG2} = 0\text{V}$ LTC7138E, LTC7138I LTC7138H, LTC7138MP	●	0.792	0.800	0.808	V
			●	0.788	0.800	0.812	V
$V_{FBH}$	Feedback Comparator Hysteresis (Adjustable Output)	$V_{FB}$ Falling, $V_{PRG1} = V_{PRG2} = 0\text{V}$	●	3	5	9	mV
$I_{FB}$	Feedback Pin Current	$V_{FB} = 1\text{V}$ , $V_{PRG1} = V_{PRG2} = 0\text{V}$		-10	0	10	nA
$V_{FB(FIXED)}$	Feedback Comparator Thresholds (Fixed Output)	$V_{FB}$ Rising, $V_{PRG1} = \text{SS}$ , $V_{PRG2} = 0\text{V}$ $V_{FB}$ Falling, $V_{PRG1} = \text{SS}$ , $V_{PRG2} = 0\text{V}$	●	4.94	5.015	5.09	V
			●	4.91	4.985	5.06	V
		$V_{FB}$ Rising, $V_{PRG1} = 0\text{V}$ , $V_{PRG2} = \text{SS}$ $V_{FB}$ Falling, $V_{PRG1} = 0\text{V}$ , $V_{PRG2} = \text{SS}$	●	3.25	3.31	3.37	V
			●	3.23	3.29	3.35	V
		$V_{FB}$ Rising, $V_{PRG1} = V_{PRG2} = \text{SS}$ $V_{FB}$ Falling, $V_{PRG1} = V_{PRG2} = \text{SS}$	●	1.78	1.81	1.84	V
			●	1.77	1.80	1.83	V
<b>Operation</b>							
$I_{PEAK}$	Peak Current Comparator Threshold	$I_{SET}$ Floating 100k Resistor from $I_{SET}$ to GND $I_{SET}$ Shorted to GND	●	540	610	680	mA
			●	270	310	350	mA
			●	140	170	200	mA
$I_{VAL}$	Valley Current Comparator Threshold Relative to $I_{PEAK}$	$I_{SET}$ Floating 100k Resistor from $I_{SET}$ to GND $I_{SET}$ Shorted to GND	●	50	60	70	%
			●	45	60	70	%
			●	45	60	75	%
$R_{ON}$	Power Switch On-Resistance	$I_{SW} = -100\text{mA}$		1.8			$\Omega$
$I_{LSW}$	Switch Pin Leakage Current	$V_{IN} = 140\text{V}$ , $\text{SW} = 0\text{V}$		0.1	1		$\mu\text{A}$
$I_{SS}$	Soft-Start Pin Pull-Up Current	$V_{SS} < 2.5\text{V}$		4	5	6	$\mu\text{A}$
$t_{INT(SS)}$	Internal Soft-Start Time	SS Pin Floating			1		ms

**Note 1:** Stresses beyond those listed under Absolute Maximum Ratings may cause permanent damage to the device. Exposure to any Absolute Maximum Rating condition for extended periods may affect device reliability and lifetime.

**Note 2:** The LTC7138 is tested under pulsed load conditions such that  $T_J \approx T_A$ . The LTC7138E is guaranteed to meet performance specifications from  $0^\circ\text{C}$  to  $85^\circ\text{C}$ . Specifications over the  $-40^\circ\text{C}$  to  $125^\circ\text{C}$  operating junction temperature range are assured by design, characterization and correlation with statistical process controls. The LTC7138I is guaranteed over the  $-40^\circ\text{C}$  to  $125^\circ\text{C}$  operating junction temperature range, the LTC7138H is guaranteed over the  $-40^\circ\text{C}$  to  $150^\circ\text{C}$  operating junction temperature range and the LTC7138MP is tested and guaranteed over the  $-55^\circ\text{C}$  to  $150^\circ\text{C}$  operating junction temperature range.

High junction temperatures degrade operating lifetimes; operating lifetime is derated for junction temperatures greater than  $125^\circ\text{C}$ . Note that the maximum ambient temperature consistent with these specifications is determined by specific operating conditions in conjunction with board layout, the rated package thermal impedance and other environmental factors.

**Note 3:** The junction temperature ( $T_J$ , in  $^\circ\text{C}$ ) is calculated from the ambient temperature ( $T_A$ , in  $^\circ\text{C}$ ) and power dissipation ( $P_D$ , in Watts) according to the formula:

$$T_J = T_A + (P_D \cdot \theta_{JA})$$

where  $\theta_{JA}$  is  $40^\circ\text{C}/\text{W}$  for the MSOP package.

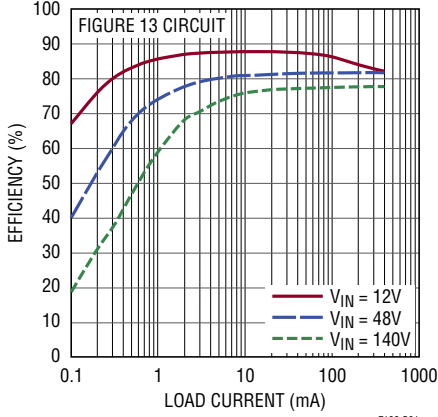
Note that the maximum ambient temperature consistent with these specifications is determined by specific operating conditions in conjunction with board layout, the rated package thermal impedance and other environmental factors.

**Note 4:** This IC includes overtemperature protection that is intended to protect the device during momentary overload conditions. The maximum rated junction temperature will be exceeded when this protection is active. Continuous operation above the specified absolute maximum operating junction temperature may impair device reliability or permanently damage the device. The overtemperature protection level is not production tested.

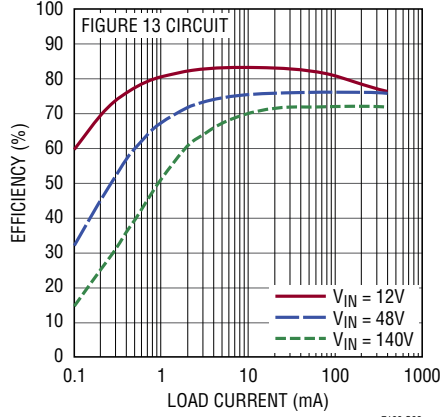
**Note 5:** Dynamic supply current is higher due to the gate charge being delivered at the switching frequency. See Applications Information.

## TYPICAL PERFORMANCE CHARACTERISTICS

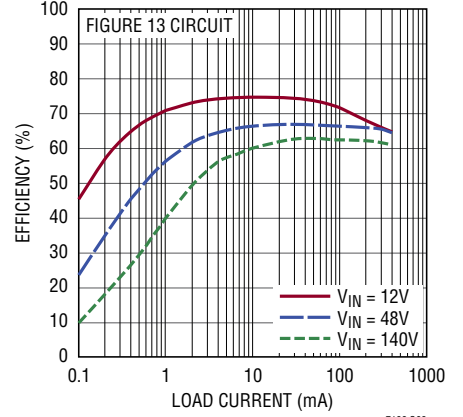
**Efficiency vs Load Current,  $V_{OUT} = 5V$**



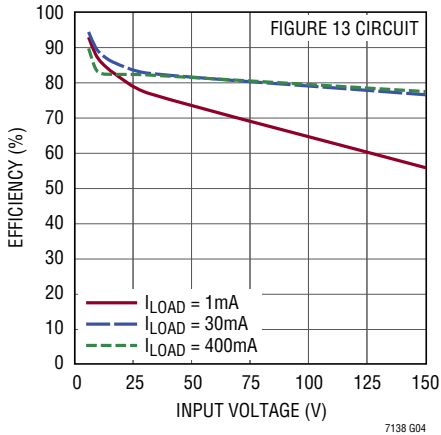
**Efficiency vs Load Current,  $V_{OUT} = 3.3V$**



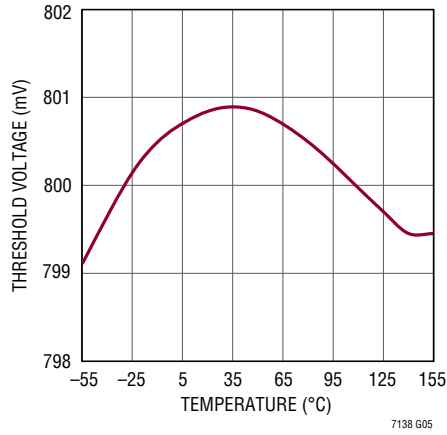
**Efficiency vs Load Current,  $V_{OUT} = 1.8V$**



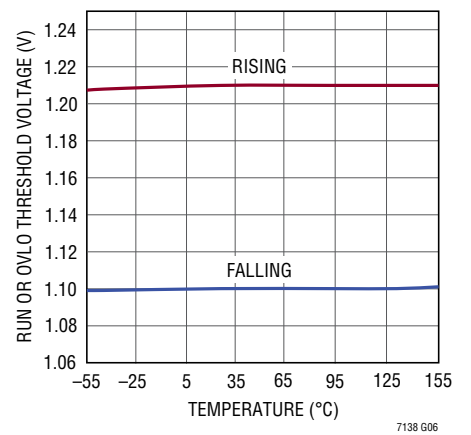
**Efficiency vs Input Voltage,  $V_{OUT} = 5V$**



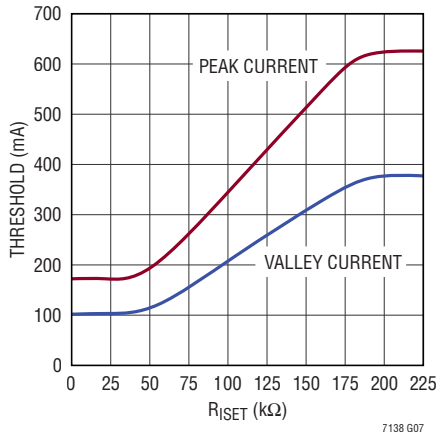
**Feedback Comparator Trip Threshold vs Temperature**



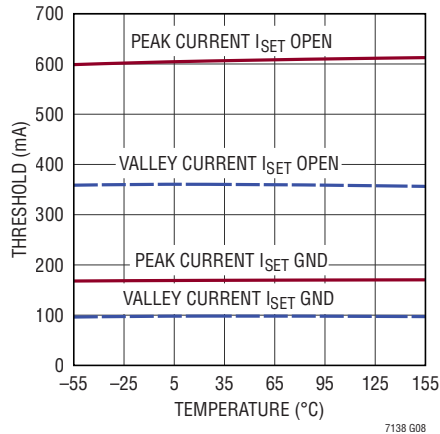
**RUN and OVLO Thresholds vs Temperature**



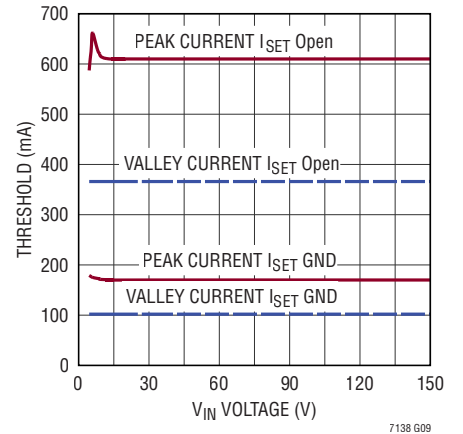
**Peak Current and Valley Current Trip Thresholds vs  $R_{ISET}$**



**Peak Current and Valley Current Trip Thresholds vs Temperature and  $I_{SET}$**

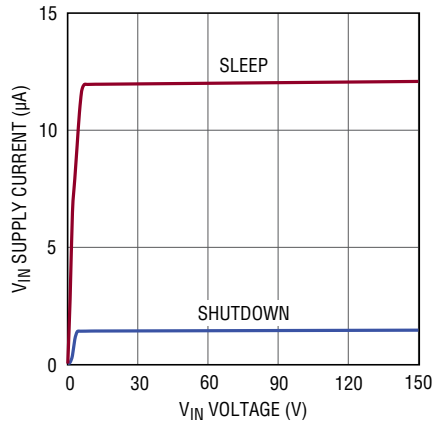


**Peak Current and Valley Current Trip Thresholds vs Input Voltage**



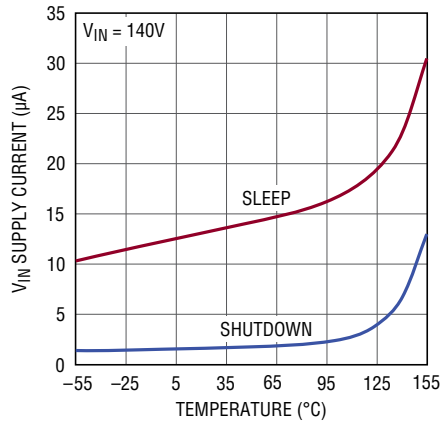
# TYPICAL PERFORMANCE CHARACTERISTICS

**Quiescent Supply Current vs Input Voltage**



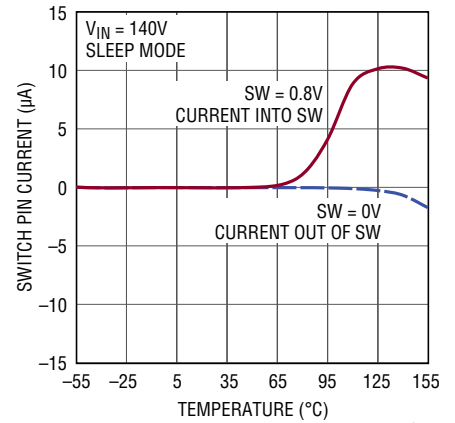
7138 G10

**Quiescent Supply Current vs Temperature**



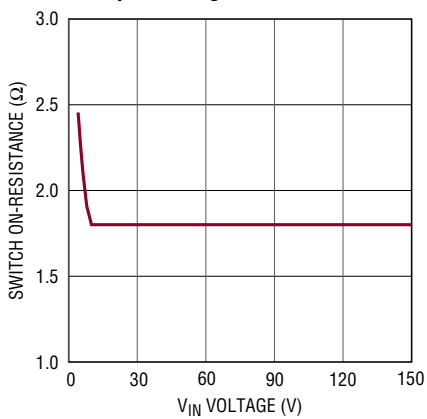
7138 G11

**Switch Pin Current vs Temperature**



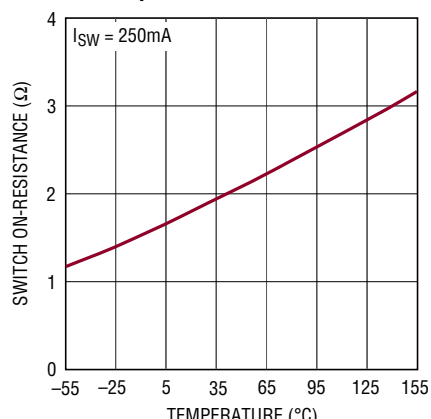
7138 G12

**Switch On-Resistance vs Input Voltage**



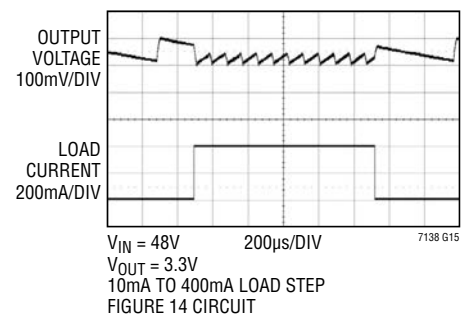
7138 G13

**Switch On-Resistance vs Temperature**



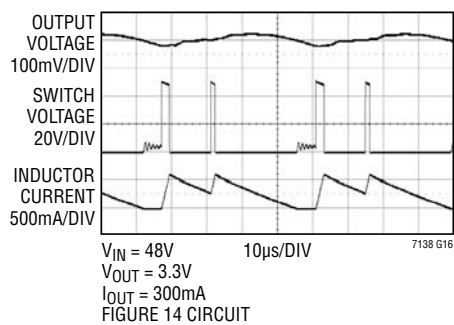
7138 G14

**Load Step Transient Response**



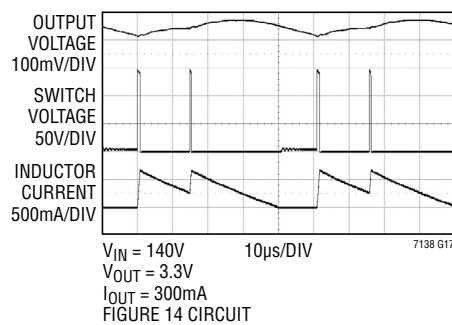
7138 G15

**Operating Waveforms, VIN = 48V**



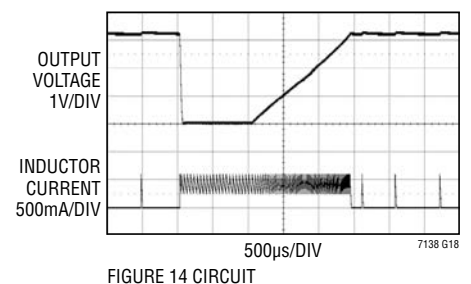
7138 G16

**Operating Waveforms, VIN = 140V**



7138 G17

**Short-Circuit and Recovery**



7138 G18

## PIN FUNCTIONS

**SW (Pin 1):** Switch Node Connection to Inductor and Catch Diode Cathode. This pin connects to the drain of the internal power MOSFET switch.

**V<sub>IN</sub> (Pin 3):** Main Supply Pin. A ceramic bypass capacitor should be tied between this pin and GND.

**FBO (Pin 5):** Feedback Comparator Output. Connect to the V<sub>FB</sub> pins of additional LTC7138s to combine the output current. The typical pull-up current is 20 $\mu$ A. The typical pull-down impedance is 70 $\Omega$ . See Applications Information.

**V<sub>PRG2</sub>, V<sub>PRG1</sub> (Pins 6, 7):** Output Voltage Selection. Short both pins to ground for a resistive divider programmable output voltage. Short V<sub>PRG1</sub> to SS and short V<sub>PRG2</sub> to ground for a 5V output voltage. Short V<sub>PRG1</sub> to ground and short V<sub>PRG2</sub> to SS for a 3.3V output voltage. Short both pins to SS for a 1.8V output voltage.

**GND (Pin 8, Exposed Pad Pin 17):** Ground. The exposed pad must be soldered to the PCB ground plane for rated electrical and thermal performance.

**V<sub>FB</sub> (Pin 9):** Output Voltage Feedback. When configured for an adjustable output voltage, connect to an external resistive divider to divide the output voltage down for comparison to the 0.8V reference. For the fixed output configuration, directly connect this pin to the output.

**SS (Pin 10):** Soft-Start Control Input. A capacitor to ground at this pin sets the output voltage ramp time. A 50 $\mu$ A current initially charges the soft-start capacitor until switching begins, at which time the current is reduced to its nominal value of 5 $\mu$ A. The output voltage ramp time from zero to its regulated value is 1ms for every 6.25nF of capacitance from SS to GND. If left floating, the ramp time defaults to an internal 1ms soft-start.

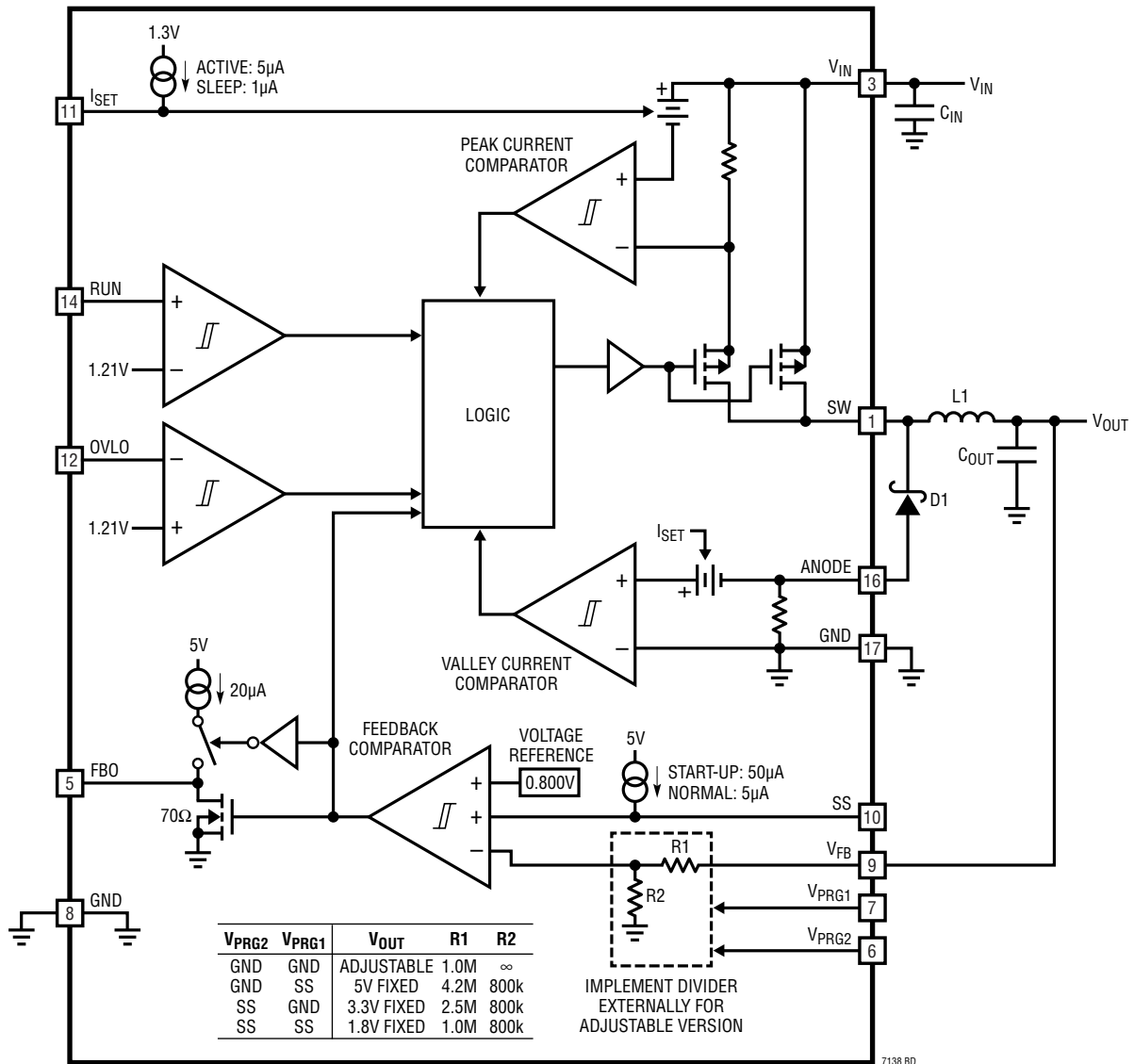
**I<sub>SET</sub> (Pin 11):** Peak Current Set Input. A resistor from this pin to ground sets the peak current comparator threshold. Leave floating for the maximum peak current (610mA typical) or short to ground for minimum peak current (170mA typical). The valley current is typically 60% of the peak current set by this pin. The maximum output current is 75% of the peak current. The 5 $\mu$ A current that is sourced out of this pin when switching is reduced to 1 $\mu$ A in sleep. Optionally, a capacitor can be placed from this pin to GND to trade off efficiency for light load output voltage ripple. See Applications Information.

**OVLO (Pin 12):** Overvoltage Lockout Input. Connect to the input supply through a resistor divider to set the overvoltage lockout level. A voltage on this pin above 1.21V disables the internal MOSFET switch. Normal operation resumes when the voltage on this pin decreases below 1.10V. Exceeding the OVLO lockout threshold triggers a soft-start reset, resulting in a graceful recovery from an input supply transient. This pin must be grounded if the OVLO is not used.

**RUN (Pin 14):** Run Control Input. A voltage on this pin above 1.21V enables normal operation. Forcing this pin below 0.7V shuts down the LTC7138, reducing quiescent current to approximately 1.4 $\mu$ A. Optionally, connect to the input supply through a resistor divider to set the undervoltage lockout.

**ANODE (Pin 16):** Catch Diode Anode Sense. This pin is the anode connection for the catch diode. An internal sense resistor is connected between this pin and the exposed pad ground.

# BLOCK DIAGRAM



7138 BD

## OPERATION (Refer to Block Diagram)

The LTC7138 is a step-down DC/DC regulator with internal power switch that uses Burst Mode control, combining low quiescent current with high switching frequency, which results in high efficiency across a wide range of load currents. Burst Mode operation functions by using short “burst” cycles to switch the inductor current through the internal power MOSFET, followed by a sleep cycle where the power switch is off and the load current is supplied by the output capacitor. During the sleep cycle, the LTC7138 draws only 12 $\mu$ A of supply current. At light loads, the burst cycles are a small percentage of the total cycle time which minimizes the average supply current, greatly improving efficiency. Figure 1 shows an example of Burst Mode operation. The switching frequency is dependent on the inductor value, peak current, input voltage and output voltage.

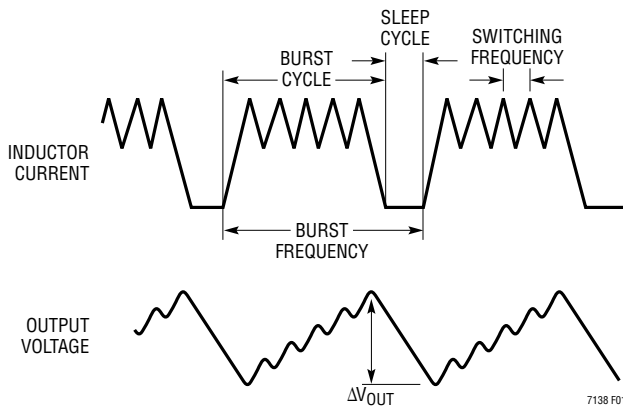


Figure 1. Burst Mode Operation

### Main Control Loop

The LTC7138 uses the  $V_{PRG1}$  and  $V_{PRG2}$  control pins to connect internal feedback resistors to the  $V_{FB}$  pin. This enables fixed outputs of 1.8V, 3.3V or 5V without increasing component count, input supply current or exposure to noise on the sensitive input to the feedback comparator.

External feedback resistors (adjustable mode) can be used by connecting both  $V_{PRG1}$  and  $V_{PRG2}$  to ground.

In adjustable mode the feedback comparator monitors the voltage on the  $V_{FB}$  pin and compares it to an internal 800mV reference. If this voltage is greater than the reference, the comparator activates a sleep mode in which the power switch and current comparators are disabled, reducing the  $V_{IN}$  pin supply current to only 12 $\mu$ A. As the load current discharges the output capacitor, the voltage on the  $V_{FB}$  pin decreases. When this voltage falls 5mV below the 800mV reference, the feedback comparator trips and enables burst cycles.

At the beginning of the burst cycle, the internal high side power switch (P-channel MOSFET) is turned on and the inductor current begins to ramp up. The inductor current increases until either the current exceeds the peak current comparator threshold or the voltage on the  $V_{FB}$  pin exceeds 800mV, at which time the switch is turned off and the inductor current is carried by the external catch diode. The inductor current, then sensed through the ANODE pin, ramps down until the current falls below the valley current comparator threshold. If the voltage on the  $V_{FB}$  pin is still less than the 800mV reference, the power switch is turned on again and another cycle commences. The average current during a burst cycle will normally be greater than the average load current. For this architecture, the maximum average output current is equal to 75% of the peak current.

The hysteretic nature of this control architecture results in a switching frequency that is a function of the input voltage, output voltage, and inductor value. This behavior provides inherent short-circuit protection. If the output is shorted to ground, the inductor current will decay very slowly during a single switching cycle. Since the high side switch turns on only when the inductor current is below the valley current trip threshold, the LTC7138 inherently switches at a lower frequency during start-up or short-circuit conditions.

## OPERATION (Refer to Block Diagram)

### Start-Up and Shutdown

If the voltage on the RUN pin is less than 0.7V, the LTC7138 enters a shutdown mode in which all internal circuitry is disabled, reducing the DC supply current to 1.4 $\mu$ A. When the voltage on the RUN pin exceeds 1.21V, normal operation of the main control loop is enabled. The RUN pin comparator has 110mV of internal hysteresis, and therefore must fall below 1.1V to disable the main control loop.

An internal 1ms soft-start function limits the ramp rate of the output voltage on start-up to prevent excessive input supply droop. If a longer ramp time and consequently less supply droop is desired, a capacitor can be placed from the SS pin to ground. The 5 $\mu$ A current that is sourced out of this pin will create a smooth voltage ramp on the capacitor. If this ramp rate is slower than the internal 1ms soft-start, then the output voltage will be limited by the ramp rate on the SS pin. The internal and external soft-start functions are reset on start-up, after an undervoltage or overvoltage event on the input supply, and after an overtemperature shutdown.

### Peak Inductor Current Programming

The peak current comparator nominally limits the peak inductor current to 610mA. This peak inductor current can be adjusted by placing a resistor from the I<sub>SET</sub> pin to ground. The 5 $\mu$ A current sourced out of this pin through the resistor generates a voltage that adjusts the peak current comparator threshold. The valley current threshold tracks the peak current threshold setting, and is typically 60% of the peak current.

During sleep mode, the current sourced out of the I<sub>SET</sub> pin is reduced to 1 $\mu$ A. The I<sub>SET</sub> current is increased back to 5 $\mu$ A on the first switching cycle after exiting sleep mode. The I<sub>SET</sub> current reduction in sleep mode, along with adding a filtering network, R<sub>ISET</sub> and C<sub>ISET</sub>, from the I<sub>SET</sub> pin to ground, provides a method of reducing light load output voltage ripple at the expense of lower efficiency and slightly degraded load step transient response.

For applications requiring higher output current, the LTC7138 provides a feedback comparator output pin (FBO) for combining the output current of multiple LTC7138s.

By connecting the FBO pin of a master LTC7138 to the V<sub>FB</sub> pin of one or more slave LTC7138s, the output currents can be combined to source 400mA times the number of LTC7138s.

### Dropout Operation

When the input supply decreases toward the output supply, the duty cycle increases to maintain regulation. The P-channel MOSFET switch in the LTC7138 allows the duty cycle to increase all the way to 100%. At 100% duty cycle, the P-channel MOSFET stays on continuously, providing output current equal to the peak current, which is greater than the maximum load current when not in dropout.

### Input Voltage and Overtemperature Protection

When using the LTC7138, care must be taken not to exceed any of the ratings specified in the Absolute Maximum Ratings section. As an added safeguard, however, the LTC7138 incorporates an overtemperature shutdown feature. If the junction temperature reaches approximately 180°C, the LTC7138 will enter thermal shutdown mode. The power switch will be turned off and the SW node will become high impedance. After the part has cooled below 160°C, it will restart. The overtemperature level is not production tested.

The LTC7138 additionally implements protection features which inhibit switching when the input voltage is not within a programmable operating range. By use of a resistive divider from the input supply to ground, the RUN and OVLO pins serve as a precise input supply voltage monitor. Switching is disabled when either the RUN pin falls below 1.1V or the OVLO pin rises above 1.21V, which can be configured to limit switching to a specific range of input supply voltage. Furthermore, if the input voltage falls below 3.5V typical (3.8V maximum), an internal undervoltage detector disables switching.

When switching is disabled, the LTC7138 can safely sustain input voltages up to the absolute maximum rating of 140V. Input supply undervoltage or overvoltage events trigger a soft-start reset, which results in a graceful recovery from an input supply transient.

## APPLICATIONS INFORMATION

The basic LTC7138 application circuit is shown on the front page of this data sheet. External component selection is determined by the maximum load current requirement and begins with the selection of the peak current programming resistor,  $R_{ISET}$ . The inductor value  $L$  can then be determined, followed by capacitors  $C_{IN}$  and  $C_{OUT}$ .

### Maximum Output Current

The maximum average output current is determined by the peak current trip threshold and the valley current trip threshold. With the  $I_{SET}$  pin open, the peak current comparator has a minimum threshold of 540mA. The valley current comparator has a minimum threshold of 50% of the peak current, or 270mA. At maximum load, the inductor current ramps between the peak and valley current thresholds, which results in a maximum load current that is the average of the two, or 405mA. For applications that demand less current, the peak current threshold can be reduced to as low as 140mA, which provides 100mA average output current. This lower peak current allows the efficiency and component selection to be optimized for lower current applications. For applications that require more than 400mA, multiple LTC7138s can be connected in parallel using the FBO pin. See the Higher Current Applications section for more information.

The peak current threshold is linearly proportional to the voltage on the  $I_{SET}$  pin, with 280mV and 1V corresponding to 140mA and 540mA peak current, respectively. The valley current threshold correspondingly changes with the voltage on the  $I_{SET}$  pin to remain at 50% of the programmed peak current. This pin may be driven by an external voltage source to modulate the peak current, which may be beneficial in some applications. Usually, the peak current is programmed with an appropriately chosen resistor ( $R_{ISET}$ ) between the  $I_{SET}$  pin and ground. The voltage generated on the  $I_{SET}$  pin by  $R_{ISET}$  and the internal 5 $\mu$ A current source sets the peak current. The value of resistor to achieve a maximum average output current can be computed by using Figure 2 or the following equation:

$$R_{ISET} = I_{OUT(MAX)} \cdot \frac{1k\Omega}{2mA}$$

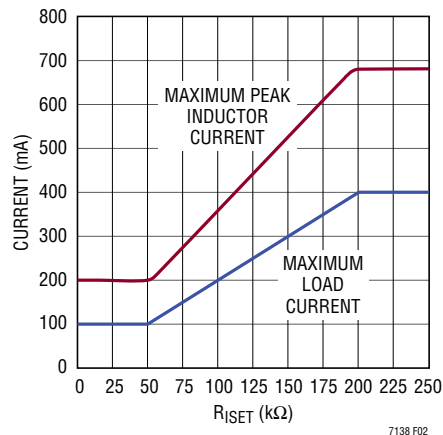


Figure 2.  $R_{ISET}$  Selection

where  $100mA < I_{OUT(MAX)} < 405mA$ . This equation gives the maximum load current supplied using the minimum peak and valley current. For inductor selection, the maximum peak current can then be approximated for a given  $R_{ISET}$  resistor value as:

$$I_{PEAK(MAX)} \approx R_{ISET} \cdot \frac{3.3mA}{1k\Omega} + 30mA$$

The peak current is internally limited to be within the range of 140mA to 540mA. Shorting the  $I_{SET}$  pin to ground programs the current limit to 140mA (100mA average output current), and leaving it floating sets the current limit to the maximum value of 540mA (405mA average output current). The internal 5 $\mu$ A current source is reduced to 1 $\mu$ A in sleep mode to maximize efficiency and to facilitate a trade-off between efficiency and light load output voltage ripple, as described in the Optimizing Output Voltage Ripple section.

### Inductor Selection

For the LTC7138, which has relatively low output current and very high input voltage, switching losses typically dominate the power loss equation. For this architecture, higher inductor values lower the switching frequency which decreases switching loss at the expense of higher DC resistance and lower saturation current. Therefore choosing the largest inductor value that satisfies both

## APPLICATIONS INFORMATION

board area and saturation current requirements yields the highest efficiency in most LTC7138 applications.

A good first choice for the inductor can be calculated based on the maximum operating input voltage and the  $I_{SET}$  pin resistor. If the  $I_{SET}$  pin is shorted to ground or left open, use 50k or 200k respectively for  $R_{ISET}$  in the following equation.

$$L = 220\mu\text{H} \cdot \frac{V_{IN(MAX)}}{150\text{V}} \cdot \frac{200\text{k}\Omega}{R_{ISET}}$$

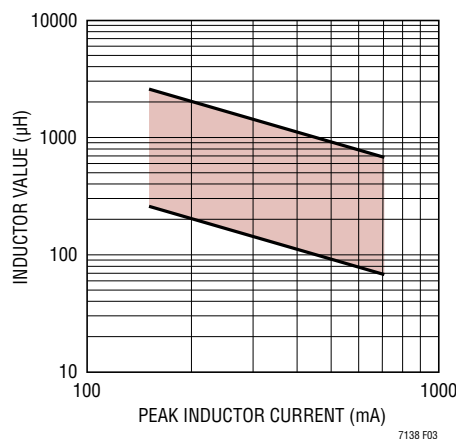
An additional constraint on the inductor value is the LTC7138's 150ns minimum switch on-time. Therefore, in order to avoid excessive overshoot in the inductor current, the inductor value must be chosen so that it is larger than a minimum value which can be computed as follows:

$$L > \frac{V_{IN(MAX)} \cdot 150\text{ns}}{I_{PEAK} \cdot 0.3} \cdot 1.2$$

where  $V_{IN(MAX)}$  is the maximum input supply voltage when switching is enabled,  $I_{PEAK}$  is the peak current, and the factor of 1.2 accounts for typical inductor tolerance and variation over temperature. With the  $I_{SET}$  pin open, this minimum inductor value is approximately equal to  $V_{IN(MAX)} \cdot 1\mu\text{H}/\text{V}$ .

Although the previous equation provides a minimum inductor value, higher efficiency is typically achieved with a larger inductor value, which produces a lower switching frequency. The recommended range of inductor values for small surface mount inductors as a function of peak current is shown in Figure 3. For applications where board area is not a limiting factor, inductors with larger cores can be used, which extends the recommended range of Figure 3 to larger values.

For applications that have large input supply transients, the OVLO pin can be used to disable switching above the maximum operating voltage  $V_{IN(MAX)}$  so that the minimum inductor value is not artificially limited by a transient condition. Inductor values that violate the above equation



**Figure 3. Recommended Inductor Values for Maximum Efficiency**

will cause the peak current to overshoot and permanent damage to the part may occur.

### Inductor Core Selection

Once the value for  $L$  is known, the type of inductor must be selected. High efficiency regulators generally cannot afford the core loss found in low cost powdered iron cores, forcing the use of the more expensive ferrite cores. Actual core loss is independent of core size for a fixed inductor value but is very dependent of the inductance selected. As the inductance increases, core losses decrease. Unfortunately, increased inductance requires more turns of wire and therefore copper losses will increase.

Ferrite designs have very low core losses and are preferred at high switching frequencies, so design goals can concentrate on copper loss and preventing saturation. Ferrite core material saturates "hard," which means that inductance collapses abruptly when the peak design current is exceeded. This results in an abrupt increase in inductor ripple current and consequently output voltage ripple. Do not allow the core to saturate!

Different core materials and shapes will change the size/current and price/current relationship of an inductor. Toroid or shielded pot cores in ferrite or permalloy materials are small and do not radiate energy but generally cost more than powdered iron core inductors with similar charac-

## APPLICATIONS INFORMATION

teristics. The choice of which style inductor to use mainly depends on the price versus size requirements and any radiated field/EMI requirements. New designs for surface mount inductors are available from Coiltronics, Coilcraft, TDK, Toko, and Sumida.

### Catch Diode Selection

The catch diode (D1 from Block Diagram) conducts current only during the switch off time. Average forward current in normal operation can be calculated from:

$$I_{D(AVG)} = I_{OUT} \frac{V_{IN} - V_{OUT}}{V_{IN}}$$

where  $I_{OUT}$  is the output load current. The maximum average diode current occurs with a shorted output at the high line. For this worst-case condition, the diode current will approach 75% of the programmed peak current. The diode reverse voltage rating should be greater than the maximum operating input voltage. When the OVLO pin is used to limit the maximum operating input voltage, the diode reverse voltage should be greater than the OVLO pin setting, but may be lower than the maximum input voltage during overvoltage lockout.

For high efficiency at full load, it is important to select a catch diode with a low reverse recovery time and low forward voltage drop. As a result, Schottky diodes are often used as catch diodes. However, Schottky diodes generally exhibit much higher leakage than silicon diodes. In sleep, the catch diode leakage current will appear as load current, and may significantly reduce light load efficiency. Diodes with low leakage often have larger forward voltage drops at a given current, so a trade-off can exist between light load and full load efficiency.

The selection of Schottky diodes with high reverse voltage ratings is limited relative to that of silicon diodes. Therefore, for low reverse leakage and part availability, some applications may prefer a silicon diode. If a silicon diode is necessary, be sure to select a diode with a specified low reverse recovery time to maximize efficiency.

### $C_{IN}$ and $C_{OUT}$ Selection

The input capacitor,  $C_{IN}$ , is needed to filter the trapezoidal current at the source of the high side MOSFET.  $C_{IN}$  should be sized to provide the energy required to magnetize the inductor without causing a large decrease in input voltage ( $\Delta V_{IN}$ ). The relationship between  $C_{IN}$  and  $\Delta V_{IN}$  is given by:

$$C_{IN} > \frac{L \cdot I_{PEAK}^2}{2 \cdot V_{IN} \cdot \Delta V_{IN}}$$

It is recommended to use a larger value for  $C_{IN}$  than calculated by the previous equation since capacitance decreases with applied voltage. In general, a 1 $\mu$ F X7R ceramic capacitor is a good choice for  $C_{IN}$  in most LTC7138 applications.

To prevent large ripple voltage, a low ESR input capacitor sized for the maximum RMS current should be used. RMS current is given by:

$$I_{RMS} = I_{OUT(MAX)} \cdot \frac{V_{OUT}}{V_{IN}} \cdot \sqrt{\frac{V_{IN}}{V_{OUT}} - 1}$$

This formula has a maximum at  $V_{IN} = 2V_{OUT}$ , where  $I_{RMS} = I_{OUT}/2$ . This simple worst-case condition is commonly used for design because even significant deviations do not offer much relief. Note that ripple current ratings from capacitor manufacturers are often based only on 2000 hours of life which makes it advisable to further derate the capacitor, or choose a capacitor rated at a higher temperature than required. Several capacitors may also be paralleled to meet size or height requirements in the design.

The output capacitor,  $C_{OUT}$ , filters the inductor's ripple current and stores energy to satisfy the load current when the LTC7138 is in sleep. The output ripple has a lower limit of  $V_{OUT}/160$  due to the 5mV typical hysteresis of the feedback comparator. The time delay of the comparator adds an additional ripple voltage that is a function of the load current. During this delay time, the LTC7138 continues to switch and supply current to the output. The output ripple

## APPLICATIONS INFORMATION

at light load can be approximated by:

$$\Delta V_{OUT} \approx \left( \frac{I_{PEAK}}{2} - I_{LOAD} \right) \cdot \frac{4 \cdot 10^{-6}}{C_{OUT}} + \frac{V_{OUT}}{160}$$

The output ripple is a maximum at no load and approaches lower limit of  $V_{OUT}/160$  at full load. Choose the output capacitor  $C_{OUT}$  to limit the output voltage ripple  $\Delta V_{OUT}$  using the following equation:

$$C_{OUT} \geq \frac{I_{PEAK} \cdot 2 \cdot 10^{-6}}{\Delta V_{OUT} - \frac{V_{OUT}}{160}}$$

The value of the output capacitor must also be large enough to accept the energy stored in the inductor without a large change in output voltage during a single switching cycle.

Setting this voltage step equal to 1% of the output voltage, the output capacitor must be:

$$C_{OUT} > \frac{L}{2} \cdot \left( \frac{I_{PEAK}}{V_{OUT}} \right)^2 \cdot \frac{100\%}{1\%}$$

Typically, a capacitor that satisfies the voltage ripple requirement is adequate to filter the inductor ripple. To avoid overheating, the output capacitor must also be sized to handle the ripple current generated by the inductor. The worst-case ripple current in the output capacitor is given by  $I_{RMS} = I_{PEAK}/2$ . Multiple capacitors placed in parallel may be needed to meet the ESR and RMS current handling requirements.

Dry tantalum, special polymer, aluminum electrolytic, and ceramic capacitors are all available in surface mount packages. Special polymer capacitors offer very low ESR but have lower capacitance density than other types. Tantalum capacitors have the highest capacitance density but it is important only to use types that have been surge tested for use in switching power supplies. Aluminum electrolytic capacitors have significantly higher ESR but

can be used in cost-sensitive applications provided that consideration is given to ripple current ratings and long-term reliability. Ceramic capacitors have excellent low ESR characteristics but can have high voltage coefficient and audible piezoelectric effects. The high quality factor (Q) of ceramic capacitors in series with trace inductance can also lead to significant input voltage ringing.

### Input Voltage Steps

If the input voltage falls below the regulated output voltage, the body diode of the internal MOSFET will conduct current from the output supply to the input supply. If the input voltage falls rapidly, the voltage across the inductor will be significant and may saturate the inductor. A large current will then flow through the MOSFET body diode, resulting in excessive power dissipation that may damage the part.

If rapid voltage steps are expected on the input supply, put a small silicon or Schottky diode in series with the  $V_{IN}$  pin to prevent reverse current and inductor saturation, shown below as D1 in Figure 4. The diode should be sized for a reverse voltage of greater than the regulated output voltage, and to withstand repetitive currents higher than the maximum peak current of the LTC7138.

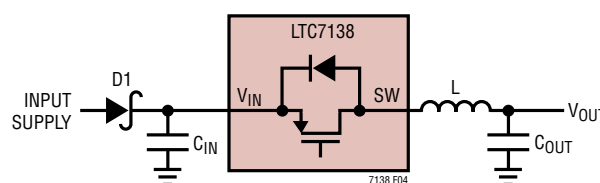


Figure 4. Preventing Current Flow to the Input

### Ceramic Capacitors and Audible Noise

Higher value, lower cost ceramic capacitors are now becoming available in smaller case sizes. Their high ripple current, high voltage rating, and low ESR make them ideal for switching regulator applications. However, care must be taken when these capacitors are used at the input and output. When a ceramic capacitor is used at the input and

## APPLICATIONS INFORMATION

the power is supplied by a wall adapter through long wires, a load step at the output can induce ringing at the input,  $V_{IN}$ . At best, this ringing can couple to the output and be mistaken as loop instability. At worst, a sudden inrush of current through the long wires can potentially cause a voltage spike at  $V_{IN}$  large enough to damage the part.

For applications with inductive source impedance, such as a long wire, a series RC network may be required in parallel with  $C_{IN}$  to dampen the ringing of the input supply. Figure 5 shows this circuit and the typical values required to dampen the ringing. Refer to Application Note 88 for additional information on suppressing input supply transients.

Ceramic capacitors are also piezoelectric. The LTC7138's burst frequency depends on the load current, and in some applications the LTC7138 can excite the ceramic capacitor at audio frequencies, generating audible noise. This noise is typically very quiet to a casual ear; however, if the noise is unacceptable, use a high performance tantalum or electrolytic capacitor at the output.

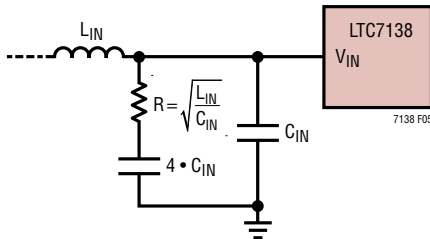


Figure 5. Series RC to Reduce  $V_{IN}$  Ringing

### Output Voltage Programming

The LTC7138 has three fixed output voltage modes and an adjustable mode that can be selected with the  $V_{PRG1}$  and  $V_{PRG2}$  pins. The fixed output modes use an internal feedback divider which enables higher efficiency, higher noise immunity, and lower output voltage ripple for 5V, 3.3V, and 1.8V applications. To select the fixed 5V output

voltage, connect  $V_{PRG1}$  to SS and  $V_{PRG2}$  to GND. For 3.3V, connect  $V_{PRG1}$  to GND and  $V_{PRG2}$  to SS. For 1.8V, connect both  $V_{PRG1}$  and  $V_{PRG2}$  to SS. For any of the fixed output voltage options, directly connect the  $V_{FB}$  pin to  $V_{OUT}$ .

For the adjustable output mode ( $V_{PRG1} = V_{PRG2} = GND$ ), the output voltage is set by an external resistive divider according to the following equation:

$$V_{OUT} = 0.8V \cdot \left(1 + \frac{R1}{R2}\right)$$

The resistive divider allows the  $V_{FB}$  pin to sense a fraction of the output voltage as shown in Figure 6. The output voltage can range from 0.8V to  $V_{IN}$ . Be careful to keep the divider resistors very close to the  $V_{FB}$  pin to minimize noise pick-up on the sensitive  $V_{FB}$  trace.

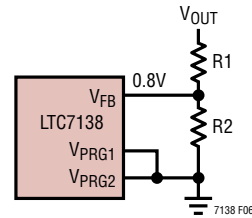


Figure 6. Setting the Output Voltage with External Resistors

To minimize the no-load supply current, resistor values in the megohm range may be used; however, large resistor values should be used with caution. The feedback divider is the only load current when in shutdown. If PCB leakage current to the output node or switch node exceeds the load current, the output voltage will be pulled up. In normal operation, this is generally a minor concern since the load current is much greater than the leakage.

To avoid excessively large values of  $R1$  in high output voltage applications ( $V_{OUT} \geq 10V$ ), a combination of external and internal resistors can be used to set the output voltage. This has an additional benefit of increasing the noise

## APPLICATIONS INFORMATION

immunity on the  $V_{FB}$  pin. Figure 7 shows the LTC7138 with the  $V_{FB}$  pin configured for a 5V fixed output with an external divider to generate a higher output voltage. The internal 5M resistance appears in parallel with R2, and the value of R2 must be adjusted accordingly. R2 should be chosen to be less than 200k to keep the output voltage variation less than 1% due to the tolerance of the LTC7138's internal resistor.

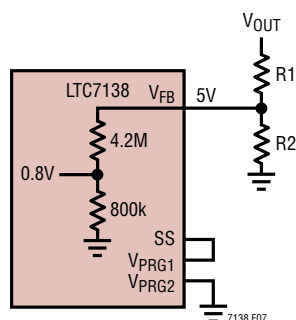


Figure 7. Setting the Output Voltage with External and Internal Resistors

### RUN Pin and Overvoltage/Undervoltage Lockout

The LTC7138 has a low power shutdown mode controlled by the RUN pin. Pulling the RUN pin below 0.7V puts the LTC7138 into a low quiescent current shutdown mode ( $I_Q \sim 1.4\mu A$ ). When the RUN pin is greater than 1.21V, switching is enabled. Figure 8 shows examples of configurations for driving the RUN pin from logic.

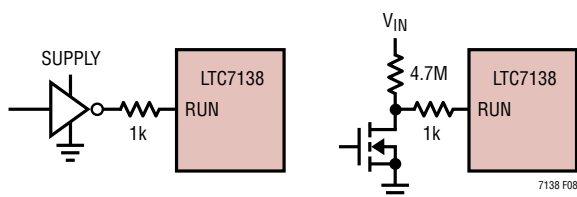


Figure 8. RUN Pin Interface to Logic

The RUN and OVLO pins can alternatively be configured as precise undervoltage (UVLO) and overvoltage (OVLO) lockouts on the  $V_{IN}$  supply with a resistive divider from  $V_{IN}$  to ground. A simple resistive divider can be used as shown in Figure 9 to meet specific  $V_{IN}$  voltage requirements.

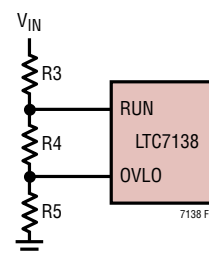


Figure 9. Adjustable UV and OV Lockout

The current that flows through the R3-R4-R5 divider will directly add to the shutdown, sleep, and active current of the LTC7138, and care should be taken to minimize the impact of this current on the overall efficiency of the application circuit. Resistor values in the megohm range may be required to keep the impact on quiescent shutdown and sleep currents low. To pick resistor values, the sum total of  $R_3 + R_4 + R_5$  ( $R_{TOTAL}$ ) should be chosen first based on the allowable DC current that can be drawn from  $V_{IN}$ . The individual values of R3, R4 and R5 can then be calculated from the following equations:

$$R_5 = R_{TOTAL} \cdot \frac{1.21V}{\text{Rising } V_{IN} \text{ OVLO Threshold}}$$

$$R_4 = R_{TOTAL} \cdot \frac{1.21V}{\text{Rising } V_{IN} \text{ UVLO Threshold}} - R_5$$

$$R_3 = R_{TOTAL} - R_5 - R_4$$

For applications that do not need a precise external OVLO, the OVLO pin should be tied directly to ground. The RUN pin in this type of application can be used as an external UVLO using the previous equations with  $R_5 = 0\Omega$ .

## APPLICATIONS INFORMATION

Similarly, for applications that do not require a precise UVLO, the RUN pin can be tied to  $V_{IN}$ . In this configuration, the UVLO threshold is limited to the internal  $V_{IN}$  UVLO thresholds as shown in the Electrical Characteristics table. The resistor values for the OVLO can be computed using the previous equations with  $R3 = 0\Omega$ .

Be aware that the OVLO pin cannot be allowed to exceed its absolute maximum rating of 6V. To keep the voltage on the OVLO pin from exceeding 6V, the following relation should be satisfied:

$$V_{IN(MAX)} \cdot \left( \frac{R5}{R3+R4+R5} \right) < 6V$$

If this equation cannot be satisfied in the application, connect a 4.7V Zener diode between the OVLO pin and ground to clamp the OVLO pin voltage.

### Soft-Start

Soft-start is implemented by ramping the effective reference voltage from 0V to 0.8V. To increase the duration of the soft-start, place a capacitor from the SS pin to ground. An internal 5 $\mu$ A pull-up current will charge this capacitor. The value of the soft-start capacitor can be calculated by the following equation:

$$C_{SS} = \text{Soft-Start Time} \cdot \frac{5\mu A}{0.8V}$$

The minimum soft-start time is limited to the internal soft-start timer of 1ms. When the LTC7138 detects a fault condition (input supply undervoltage/overvoltage or overtemperature) or when the RUN pin falls below 1.1V, the SS pin is quickly pulled to ground and the internal soft-start timer is reset. This ensures an orderly restart when using an external soft-start capacitor.

Note that the soft-start capacitor may not be the limiting factor in the output voltage ramp. The maximum output current, which is equal to half of the peak current, must charge the output capacitor from 0V to its regulated value. For small peak currents or large output capacitors, this

ramp time can be significant. Therefore, the output voltage ramp time from 0V to the regulated  $V_{OUT}$  value is limited to a minimum of

$$\text{Ramp Time} \geq \frac{1.33 \cdot C_{OUT}}{I_{PEAK}} V_{OUT}$$

### Optimizing Output Voltage Ripple

After the peak current resistor and inductor have been selected to meet the load current and frequency requirements, an optional capacitor,  $C_{ISET}$  can be added in parallel with  $R_{ISET}$  to reduce the output voltage ripple dependency on load current.

At light loads the output voltage ripple will be a maximum. The peak inductor current is controlled by the voltage on the  $I_{SET}$  pin. The current out of the  $I_{SET}$  pin is 5 $\mu$ A while the LTC7138 is active and is reduced to 1 $\mu$ A during sleep mode. The  $I_{SET}$  current will return to 5 $\mu$ A on the first switching cycle after sleep mode. Placing a parallel RC network to ground on the  $I_{SET}$  pin filters the  $I_{SET}$  voltage as the LTC7138 enters and exits sleep mode, which in turn will affect the output voltage ripple, efficiency, and load step transient performance.

### Higher Current Applications

For applications that require more than 400mA, the LTC7138 provides a feedback comparator output pin (FBO) for driving additional LTC7138s. When the FBO pin of a master LTC7138 is connected to the  $V_{FB}$  pin of one or more slave LTC7138s, the master controls the burst cycle of the slaves.

Figure 10 shows an example of a 5V, 800mA regulator using two LTC7138s. The master is configured for a 5V fixed output with external soft-start and  $V_{IN}$  UVLO/OVLO levels set by the RUN and OVLO pins. Since the slave is directly controlled by the master, its SS pin should be floating, RUN should be tied to  $V_{IN}$ , and OVLO should be tied to ground. Furthermore, the slave should be configured for a 1.8V fixed output ( $V_{PRG1} = V_{PRG2} = SS$ ) to set the

## APPLICATIONS INFORMATION

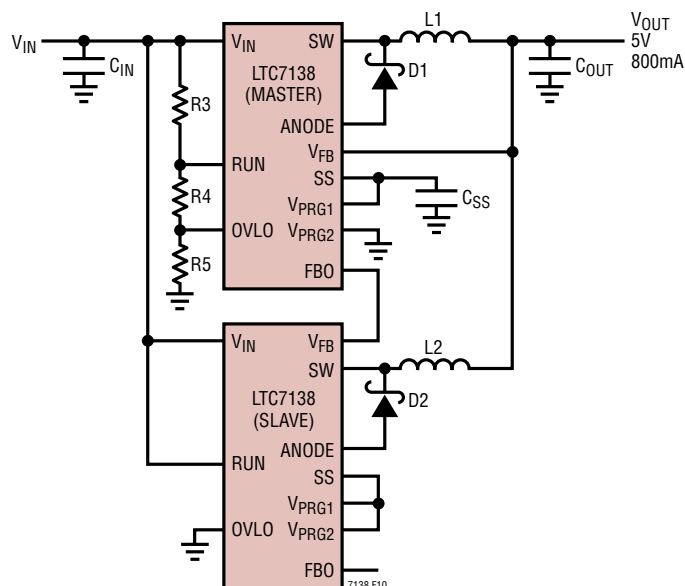


Figure 10. 5V, 800mA Regulator

$V_{FB}$  pin threshold at 1.8V. The inductors L1 and L2 do not necessarily have to be the same, but should both meet the criteria described in the Inductor Selection section.

### Thermal Considerations

In most applications, the LTC7138 does not dissipate much heat due to its high efficiency. But, in applications where the LTC7138 is running at high ambient temperature with low supply voltage and high duty cycles, such as dropout, the heat dissipated may exceed the maximum junction temperature of the part.

To prevent the LTC7138 from exceeding the maximum junction temperature, the user will need to do some thermal analysis. The goal of the thermal analysis is to determine whether the power dissipated exceeds the maximum junction temperature of the part. The temperature rise from ambient to junction is given by:

$$T_R = P_D \cdot \theta_{JA}$$

Where  $P_D$  is the power dissipated by the regulator and  $\theta_{JA}$  is the thermal resistance from the junction of the die to the ambient temperature.

The junction temperature is given by:

$$T_J = T_A + T_R$$

Generally, the worst-case power dissipation is in dropout at low input voltage. In dropout, the LTC7138 can provide a DC current as high as the full 575mA peak current to the output. At low input voltage, this current flows through a higher resistance MOSFET, which dissipates more power.

As an example, consider the LTC7138 in dropout at an input voltage of 5V, a load current of 610mA and an ambient temperature of 85°C. From the Typical Performance graphs of Switch On-Resistance, the  $R_{DS(ON)}$  of the top switch at  $V_{IN} = 5V$  and 100°C is approximately 3.2Ω. Therefore, the power dissipated by the part is:

$$P_D = (I_{LOAD})^2 \cdot R_{DS(ON)} = (610mA)^2 \cdot 3.2\Omega = 1.19W$$

For the MSOP package the  $\theta_{JA}$  is 40°C/W. Thus, the junction temperature of the regulator is:

$$T_J = 85^\circ C + 1.19W \cdot \frac{40^\circ C}{W} = 133^\circ C$$

which is below the maximum junction temperature of 150°C.

Note that while the LTC7138 is in dropout, it can provide output current that is equal to the peak current of the part. This can increase the chip power dissipation dramatically and may cause the internal overtemperature protection circuitry to trigger at 180°C and shut down the LTC7138.

### Pin Clearance/Creepage Considerations

The LTC7138 MSE package has been uniquely designed to meet high voltage clearance and creepage requirements. Pins 2, 4, 13, and 15 are omitted to increase the spacing between adjacent high voltage solder pads ( $V_{IN}$ , SW, and RUN) to a minimum of 0.657mm which is sufficient for most applications. For more information, refer to the printed circuit board design standards described in IPC-2221 ([www.ipc.org](http://www.ipc.org)).

## APPLICATIONS INFORMATION

### Design Example

As a design example, consider using the LTC7138 in an application with the following specifications:  $V_{IN} = 36V$  to  $72V$  (48V nominal),  $V_{OUT} = 12V$ ,  $I_{OUT} = 400mA$ , and that switching is enabled when  $V_{IN}$  is between  $30V$  and  $90V$ .

First, calculate the inductor value:

$$L = 220\mu H \cdot \frac{90V}{150V} = 132\mu H$$

Choose a  $150\mu H$  inductor as a standard value. Next, verify that this meets the  $L_{MIN}$  requirement at the maximum input voltage:

$$L_{MIN} = \frac{90V \cdot 150ns}{0.610A \cdot 0.3} \cdot 1.2 = 89\mu H$$

Therefore, the minimum inductor requirement is satisfied and the  $150\mu H$  inductor value may be used.

Next,  $C_{IN}$  and  $C_{OUT}$  are selected. For this design,  $C_{IN}$  should be sized for a current rating of at least:

$$I_{RMS} = 400mA \cdot \frac{12V}{36V} \cdot \sqrt{\frac{36V}{12V} - 1} \cong 189mA_{RMS}$$

The value of  $C_{IN}$  is selected to keep the input from drooping less than  $1V$  at low line:

$$C_{IN} > \frac{150\mu H \cdot 0.61A^2}{2 \cdot 36V \cdot 1V} \cong 0.76\mu F$$

Since the capacitance of capacitors decreases with DC bias, a  $1\mu F$  capacitor should be chosen.

The catch diode should have a reverse voltage rating of greater than the overvoltage lockout setting of  $90V$ . It should

also be rated for an average forward current of at least:

$$I_{D(AVG)} = 400mA \cdot \frac{90V - 12V}{90V} = 347mA$$

For margin, select a catch diode with a reverse breakdown of at least  $100V$  and an average current of  $400mA$  or higher.

$C_{OUT}$  will be selected based on a value large enough to satisfy the output voltage ripple requirement. For a 1% output ripple ( $120mV$ ), the value of the output capacitor can be calculated from:

$$C_{OUT} \geq \frac{0.61A \cdot 2 \cdot 10^{-6}}{120mV - \frac{12V}{160}} \cong 27\mu F$$

$C_{OUT}$  also needs an ESR that will satisfy the output voltage ripple requirement. The required ESR can be calculated from:

$$ESR < \frac{120mV}{0.61A} \cong 197m\Omega$$

A  $33\mu F$  ceramic capacitor has significantly less ESR than  $197m\Omega$ . The output voltage can now be programmed by choosing the values of  $R1$  and  $R2$ . Since the output voltage is higher than  $10V$ , the LTC7138 should be set for a  $5V$  fixed output with an external divider to divide the  $12V$  output down to  $5V$ .  $R2$  is chosen to be less than  $200k$  to keep the output voltage variation to less than 1% due to the internal  $5M$  resistor tolerance. Set  $R2 = 196k$  and calculate  $R1$  as:

$$R1 = \frac{12V - 5V}{5V} \cdot (196k\Omega \parallel 5M\Omega) = 264k\Omega$$

Choose a standard value of  $267k$  for  $R1$ .

## APPLICATIONS INFORMATION

The undervoltage and overvoltage lockout requirements on  $V_{IN}$  can be satisfied with a resistive divider from  $V_{IN}$  to the RUN and OVLO pins (refer to Figure 9). Choose  $R3 + R4 + R5 = 2.5M$  to minimize the loading on  $V_{IN}$ . Calculate  $R3$ ,  $R4$  and  $R5$  as follows:

$$R5 = \frac{1.21V \cdot 2.5M\Omega}{V_{IN\_OV(RISING)}} = 33.6k$$

$$R4 = \frac{1.21V \cdot 2.5M\Omega}{V_{IN\_UV(RISING)}} - R5 = 67.2k$$

$$R3 = 2.5M\Omega - R4 - R5 = 2.4M$$

Since specific resistor values in the megohm range are generally less available, it may be necessary to scale  $R3$ ,  $R4$ , and  $R5$  to a standard value of  $R3$ . For this example, choose  $R3 = 2.2M$  and scale  $R4$  and  $R5$  by  $2.2M/2.4M$ . Then,  $R4 = 61.6k$  and  $R5 = 30.8k$ . Choose standard values of  $R3 = 2.2M$ ,  $R4 = 62k$ , and  $R5 = 30.9k$ . Note that the falling thresholds for both UVLO and OVLO will be 10% less than the rising thresholds, or 27V and 81V respectively.

The  $I_{SET}$  pin should be left open in this example to select maximum peak current (610mA). Figure 11 shows a complete schematic for this design example.

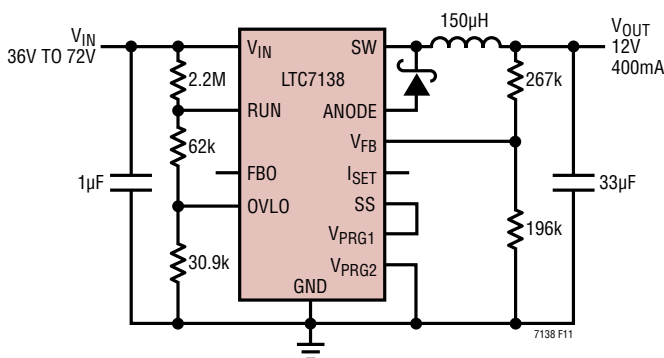
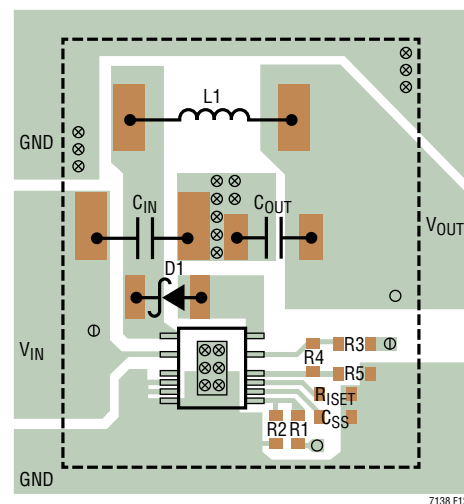
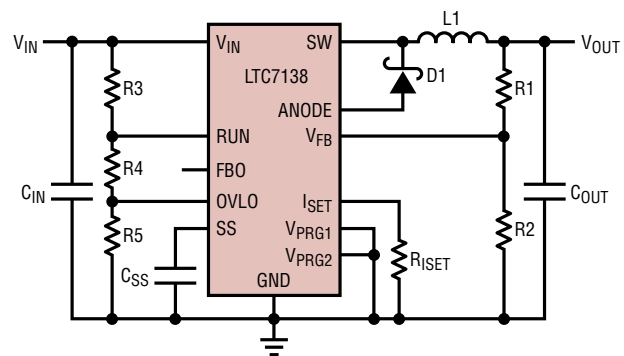


Figure 11. 36V to 72V Input to 12V Output, 400mA Regulator

## PC Board Layout Checklist

When laying out the printed circuit board, the following checklist should be used to ensure proper operation of the LTC7138. Check the following in your layout:

1. Large switched currents flow in the power switch, catch diode, and input capacitor. The loop formed by these components should be as small as possible. A ground plane is recommended to minimize ground impedance.
2. Connect the (+) terminal of the input capacitor,  $C_{IN}$ , as close as possible to the  $V_{IN}$  pin. This capacitor provides the AC current into the internal power MOSFET.
3. Keep the switching node, SW, away from all sensitive small signal nodes. The rapid transitions on the switching node can couple to high impedance nodes, in particular  $V_{FB}$ , and create increased output ripple.



- ⊗ VIAS TO GROUND PLANE
- ⊕ VIAS TO INPUT SUPPLY ( $V_{IN}$ )
- VIAS TO OUTPUT SUPPLY ( $V_{OUT}$ )
- OUTLINE OF LOCAL GROUND PLANE

Figure 12. Example PCB Layout

## TYPICAL APPLICATIONS

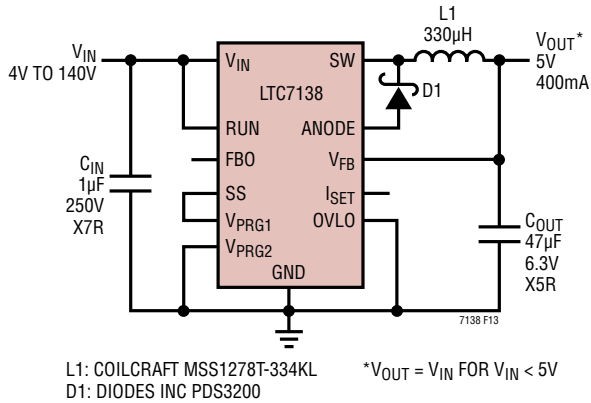


Figure 13. High Efficiency 400mA Regulator

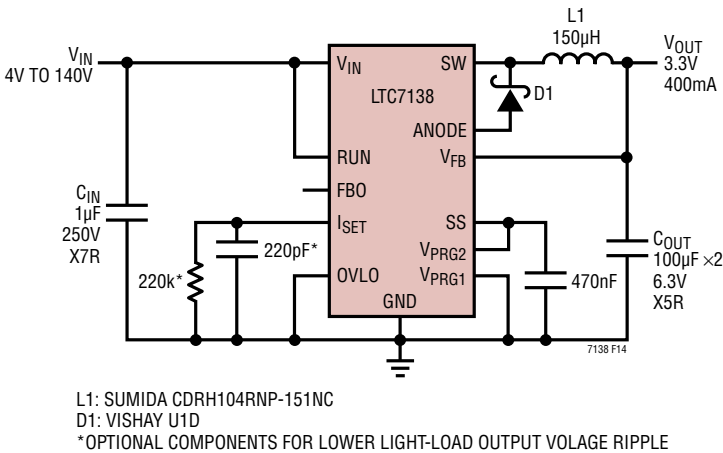
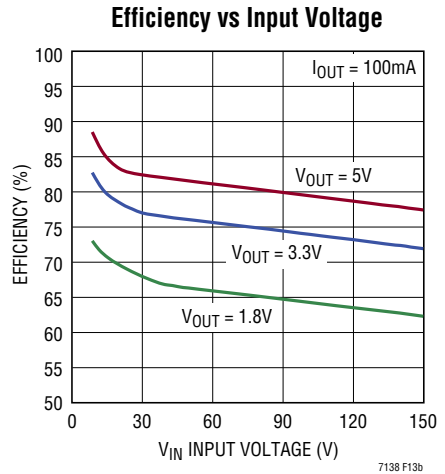
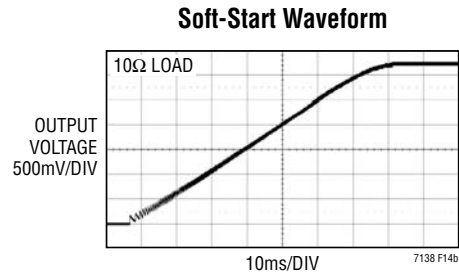
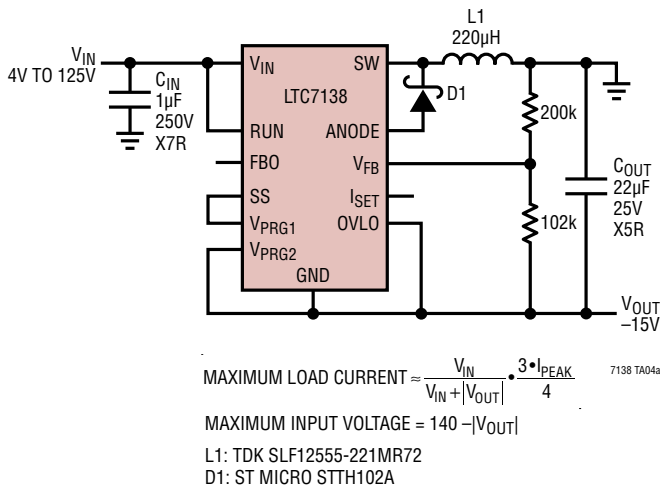


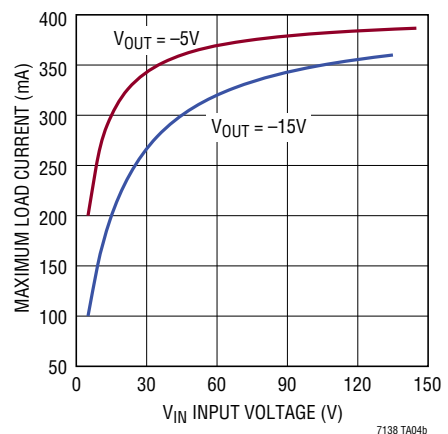
Figure 14. 3.3V/400mA Regulator with 75ms Soft-Start



### 4V to 125V Input to -15V Output Positive-to-Negative Regulator

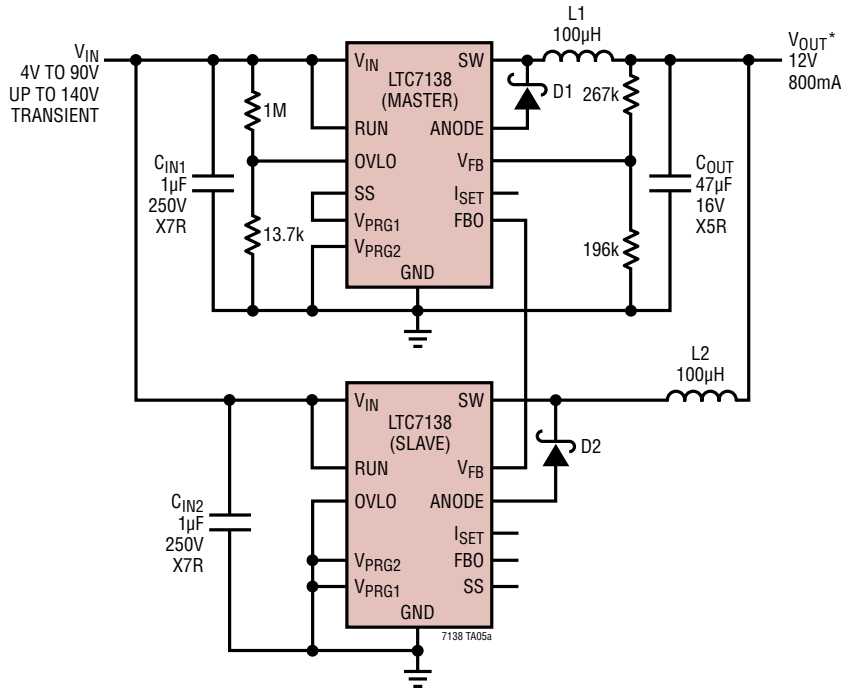


### Maximum Load Current vs Input Voltage



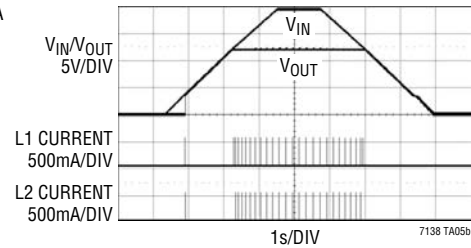
# TYPICAL APPLICATIONS

## 4V to 90V Input to 12V/800mA Output Regulator with Overvoltage Lockout

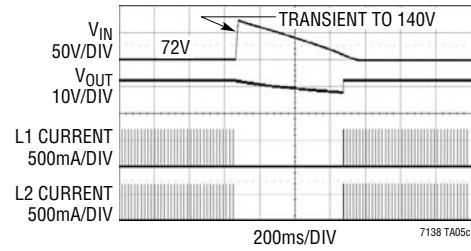


L1/L2: WÜRTH 744 770 910 1  
 D1/D2: CENTRAL SEMI CSMH1-100M-LTN  
 \*V<sub>OUT</sub> = V<sub>IN</sub> FOR V<sub>IN</sub> < 12V

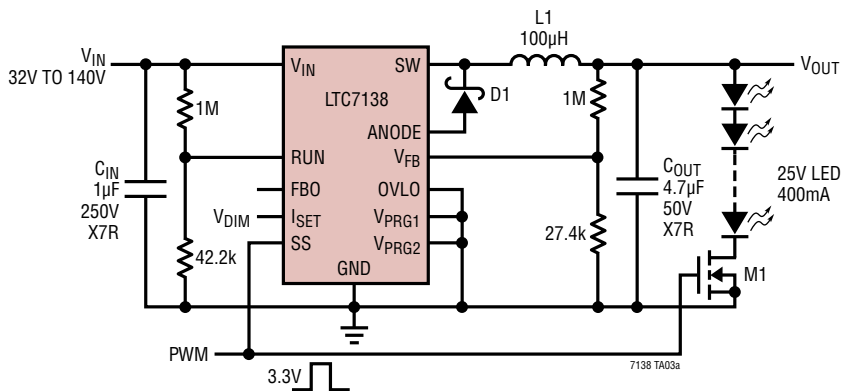
### Low Dropout Startup and Shutdown



### Overvoltage Lockout Operation

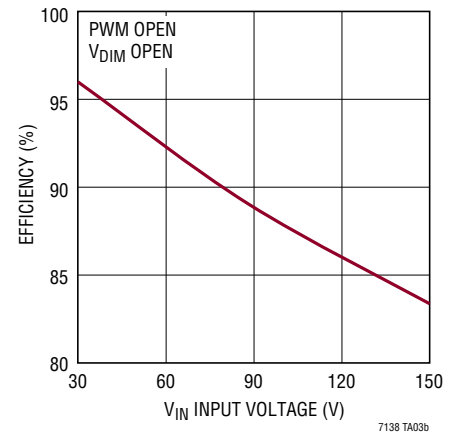


## 10W LED Driver



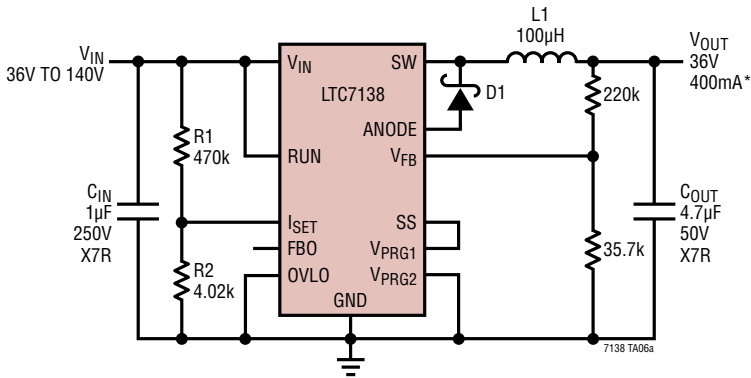
L1: TDK SLF10145T-101M  
 D1: TOSHIBA CRH01  
 M1: VISHAY SILICONIX Si2356DS  
 V<sub>DIM</sub> = 0.1V TO 1V FOR 10:1 ANALOG DIMMING  
 PWM = SQUARE WAVE FOR DIGITAL DIMMING  
 30V OVERVOLTAGE PROTECTION ON V<sub>OUT</sub>

### Efficiency vs Input Voltage



## TYPICAL APPLICATIONS

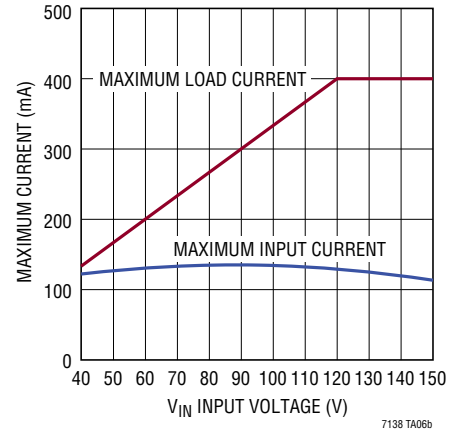
### 36V to 140V to 36V/400mA with 120mA Input Current Limit



$$\text{INPUT CURRENT LIMIT} = \frac{V_{OUT}}{2.5} \cdot \frac{R_2}{R_1 + R_2} \cdot \left(1 + \frac{5\mu\text{A} \cdot R_1}{V_{IN}}\right) \approx \frac{V_{OUT}}{2.5} \cdot \frac{R_2}{R_1 + R_2}$$

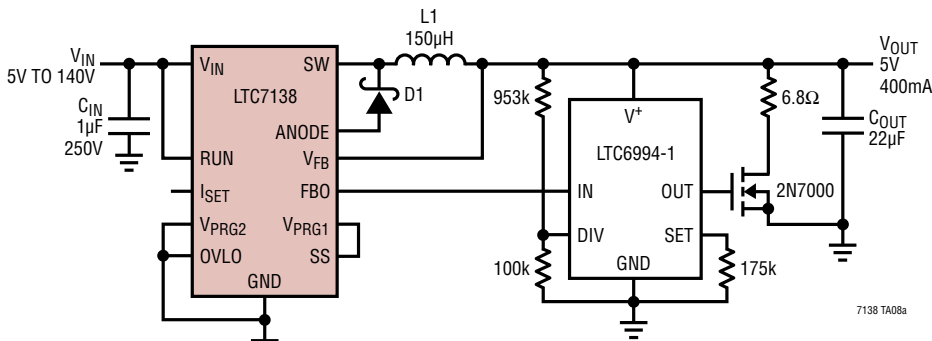
\*MAXIMUM LOAD CURRENT =  $\frac{V_{IN}}{36\text{V}} \cdot 120\text{mA} \leq 400\text{mA}$   
 L1: TDK SLF12555T-101M1R1  
 D1: ROHM RF101L2S

### Maximum Load and Input Current vs Input Voltage



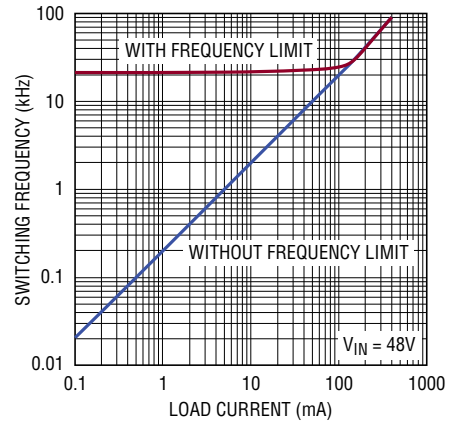
7138 TA06b

### 5V to 140V Input to 5V/400mA Output with 20kHz Minimum Switching Frequency



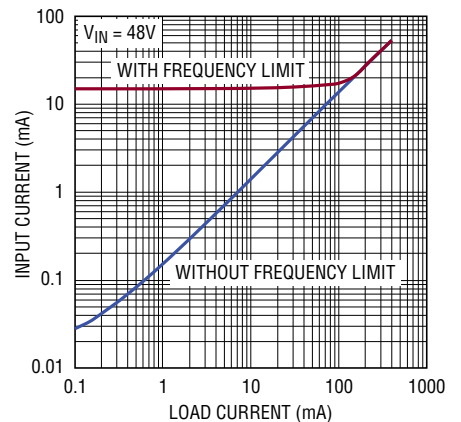
L1: COILTRONICS DR74-101-R  
 D1: DIODES INC MURS120-13-F

### Switching Frequency vs Load Current



7138 TA08b

### Input Current vs Load Current



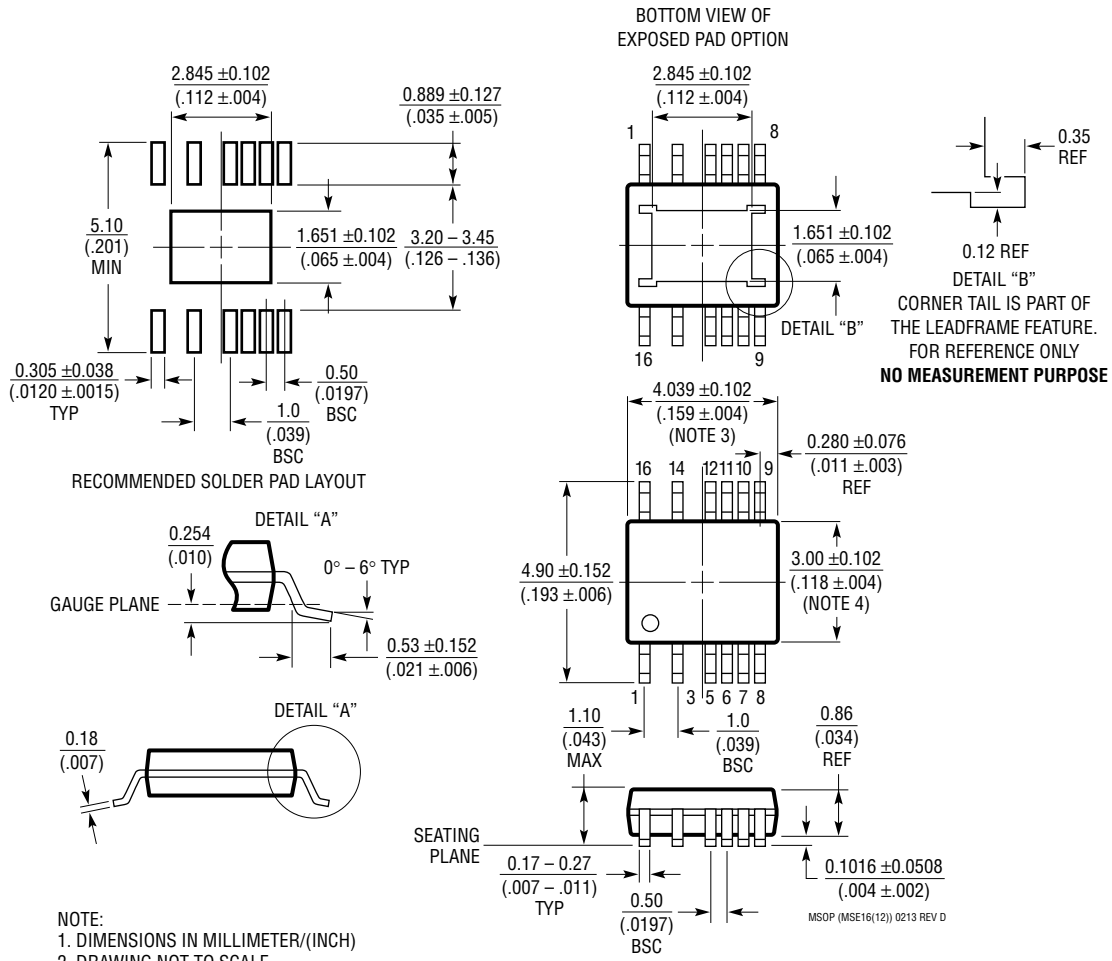
7138 TA08c

7138f

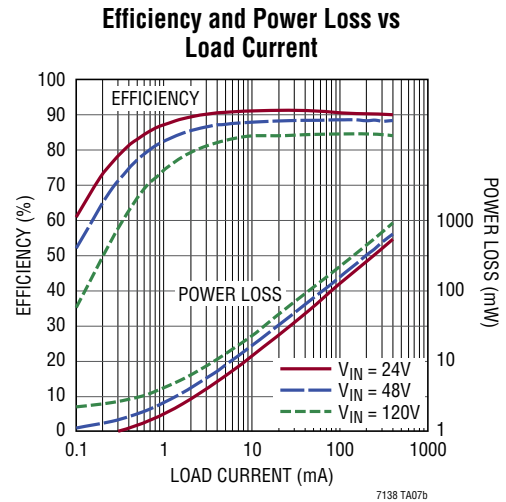
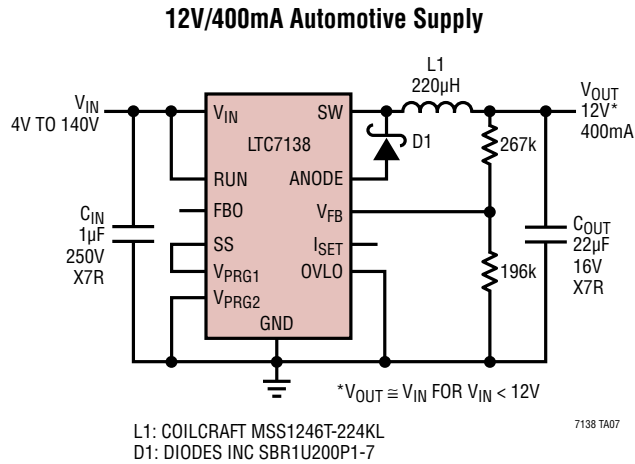
# PACKAGE DESCRIPTION

Please refer to <http://www.linear.com/designtools/packaging/> for the most recent package drawings.

**MSE Package**  
**Variation: MSE16 (12)**  
**16-Lead Plastic MSOP with 4 Pins Removed**  
**Exposed Die Pad**  
 (Reference LTC DWG # 05-08-1871 Rev D)



## TYPICAL APPLICATION



## RELATED PARTS

PART NUMBER	DESCRIPTION	COMMENTS
LTC3638	140V, 250mA Micropower Step-Down DC/DC Regulator	$V_{IN}$ : 4V to 140V, $V_{OUT(MIN)}$ = 0.8V, $I_Q$ = 12µA, $I_{SD}$ = 1.4µA, MS16E Package
LTC3639	150V, 100mA Synchronous Micropower Step-Down DC/DC Regulator	$V_{IN}$ : 4V to 150V, $V_{OUT(MIN)}$ = 0.8V, $I_Q$ = 12µA, $I_{SD}$ = 1.4µA, MS16E Package
LTC3637	76V, 1A High Efficiency Step-Down DC/DC Regulator	$V_{IN}$ : 4V to 76V, $V_{OUT(MIN)}$ = 0.8V, $I_Q$ = 12µA, $I_{SD}$ = 3µA, 3mm × 5mm DFN16, MSOP16E Packages
LTC3630A	76V, 500mA Synchronous Step-Down DC/DC Regulator	$V_{IN}$ : 4V to 76V, $V_{OUT(MIN)}$ = 0.8V, $I_Q$ = 12µA, $I_{SD}$ = 5µA, 3mm × 5mm DFN16, MSOP16E Packages
LTC3810	100V Synchronous Step-Down DC/DC Controller	$V_{IN}$ : 6.4V to 100V, $V_{OUT(MIN)}$ = 0.8V, $I_Q$ = 2mA, $I_{SD}$ < 240µA, SSOP28 Package
LTC3631/LTC3631-3.3 LTC3631-5	45V (Transient to 60V), 100mA Synchronous Step-Down DC/DC Regulator	$V_{IN}$ : 4.5V to 45V, $V_{OUT(MIN)}$ = 0.8V, $I_Q$ = 12µA, $I_{SD}$ < 3µA, 3mm × 3mm DFN8, MSOP8 Packages
LTC3642	45V (Transient to 60V), 50mA Synchronous Step-Down DC/DC Regulator	$V_{IN}$ : 4.5V to 45V, $V_{OUT(MIN)}$ = 0.8V, $I_Q$ = 12µA, $I_{SD}$ < 3µA, 3mm × 3mm DFN8, MSOP8 Packages
LTC3632	50V (Transient to 60V), 20mA Synchronous Step-Down DC/DC Regulator	$V_{IN}$ : 4.5V to 45V, $V_{OUT(MIN)}$ = 0.8V, $I_Q$ = 12µA, $I_{SD}$ < 3µA, 3mm × 3mm DFN8, MSOP8 Packages
LTC3891	60V Synchronous Step-Down DC/DC Controller with Burst Mode Operation	$V_{IN}$ : 4V to 60V, $V_{OUT(MIN)}$ = 0.8V, $I_Q$ = 50µA, $I_{SD}$ < 14µA, 3mm × 4mm QFN20, TSSOP20E Packages
LTC4366-1/LTC4366-2	High Voltage Surge Stopper	$V_{IN}$ : 9V to >500V, Adjustable Output Clamp Voltage, $I_{SD}$ < 14µA, 2mm × 3mm DFN8, TSOT-8 Packages

## Looking for pricing, stock, or lifecycle information?

Click below to explore more details on WIN SOURCE:

- ⊖ [View LTC7138MPMSE#TRPBF on WIN SOURCE](#)
- ⊖ [Analog Devices Inc. Information](#)

## Optimize Your Supply Chain with WIN SOURCE Solutions

- ✓ Global Sourcing Solution
- ✓ Obsolete Management
- ✓ Cost Control Management
- ✓ Shortage Management
- ✓ Alternative Solution
- ✓ Excess Inventory Management