



**THE DATASHEET OF
UC3863N**



Resonant-Mode Power Supply Controllers

FEATURES

- Controls Zero Current Switched (ZCS) or Zero Voltage Switched (ZVS) Quasi-Resonant Converters
- Zero-Crossing Terminated One-Shot Timer
- Precision 1%, Soft-Started 5V Reference
- Programmable Restart Delay Following Fault
- Voltage-Controlled Oscillator (VCO) with Programmable Minimum and Maximum Frequencies from 10kHz to 1MHz
- Low Start-Up Current (150µA typical)
- Dual 1 Amp Peak FET Drivers
- UVLO Option for Off-Line or DC/DC Applications

DESCRIPTION

The UC1861-1868 family of ICs is optimized for the control of Zero Current Switched and Zero Voltage Switched quasi-resonant converters. Differences between members of this device family result from the various combinations of UVLO thresholds and output options. Additionally, the one-shot pulse steering logic is configured to program either on-time for ZCS systems (UC1865-1868), or off-time for ZVS applications (UC1861-1864).

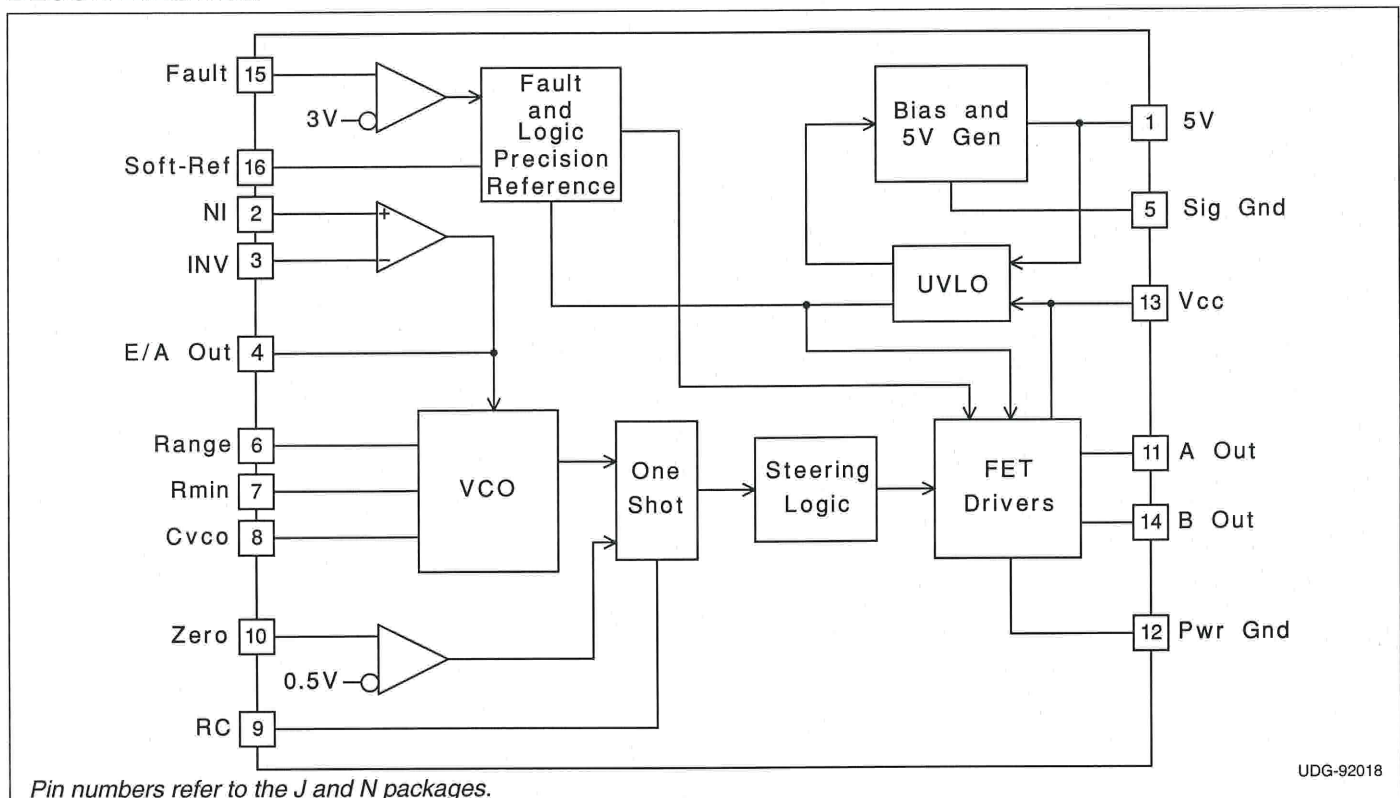
The primary control blocks implemented include an error amplifier to compensate the overall system loop and to drive a voltage controlled oscillator (VCO), featuring programmable minimum and maximum frequencies. Triggered by the VCO, the one-shot generates pulses of a programmed maximum width, which can be modulated by the Zero Detection comparator. This circuit facilitates "true" zero current or voltage switching over various line, load, and temperature changes, and is also able to accommodate the resonant components' initial tolerances.

Under-Voltage Lockout is incorporated to facilitate safe starts upon power-up. The supply current during the under-voltage lockout period is typically less than 150µA, and the outputs are actively forced to the low state.

(continued)

| Device | 1861 | 1862 | 1863 | 1864 | 1865 | 1866 | 1867 | 1868 |
|---------|-------------|-----------|-------------|----------|-------------|-----------|-------------|----------|
| UVLO | 16.5/10.5 | 16.5/10.5 | 8/7 | 8/7 | 16.5/10.5 | 16.5/10.5 | 8/7 | 8/7 |
| Outputs | Alternating | Parallel | Alternating | Parallel | Alternating | Parallel | Alternating | Parallel |
| "Fixed" | Off Time | Off Time | Off Time | Off Time | On Time | On Time | On Time | On Time |

BLOCK DIAGRAM



UDG-92018

DESCRIPTION (cont.)

UVLO thresholds for the UC1861/62/65/66 are 16.5V (ON) and 10.5V (OFF), whereas the UC1863/64/67/68 thresholds are 8V (ON) and 7V (OFF). After V_{CC} exceeds the UVLO threshold, a 5V generator is enabled which provides bias for the internal circuits and up to 10mA for external usage.

A Fault comparator serves to detect fault conditions and set a latch while forcing the output drivers low. The Soft-Ref pin serves three functions: providing soft start, restart

delay, and the internal system reference.

Each device features dual 1 Amp peak totem pole output drivers for direct interface to power MOSFETS. The outputs are programmed to alternate in the UC1861/63/65/67 devices. The UC1862/64/66/68 outputs operate in unison allowing a 2 Amp peak current.

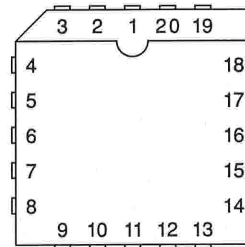
ABSOLUTE MAXIMUM RATINGS

| | |
|--|------------|
| V_{CC} | 22V |
| Output Current | |
| Source or Sink (Pins 11 & 14) | 0.5A |
| DC Pulse (0.5 μ s) | 1.5A |
| Power Ground Voltage | $\pm 0.2V$ |
| Inputs (Pins 2, 3, 10, & 15) | -0.4 to 7V |
| Error Amp Output Current | $\pm 2mA$ |
| Power Dissipation | 1W |
| Junction Temperature (Operating) | 150°C |
| Lead Temperature (Soldering, 10 seconds) | 300°C |

All voltages are with respect to signal ground and all currents are positive into the specified terminal. Pin numbers refer to the J and N packages. Consult Unitrode Integrated Circuits databook for information regarding thermal specifications and limitations of packages.

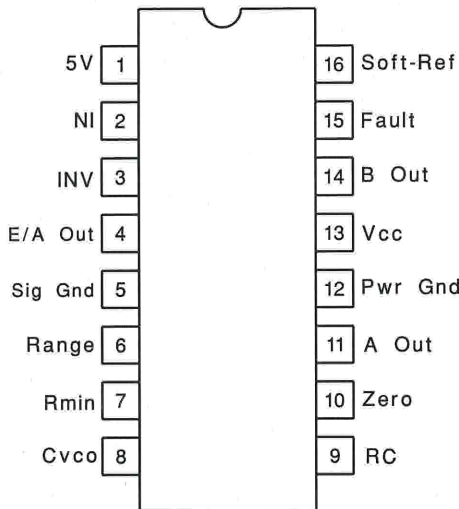
CONNECTION DIAGRAMS

**PLCC-20 & LCC-20 (Top View)
 Q & L Package**



| PACKAGE PIN FUNCTION | |
|----------------------|-----|
| FUNCTION | PIN |
| Soft Ref | 1 |
| 5V | 2 |
| NI | 3 |
| INV | 4 |
| E/A Out | 5 |
| Sig Gnd | 6 |
| Range | 7 |
| RMIN | 8 |
| Cvco | 9 |
| RC | 10 |
| Zero | 11 |
| NC | 12 |
| NC | 13 |
| A Out | 14 |
| Pwr Gnd | 15 |
| Pwr Gnd | 16 |
| Vcc | 17 |
| B Out | 18 |
| NC | 19 |
| Fault | 20 |

**DIL-16, SOIC-16 (Top View)
 J or N, DW Packages**



ELECTRICAL CHARACTERISTICS Unless otherwise stated, all specifications apply for $-55^{\circ}\text{C} \leq \text{T}_A \leq 125^{\circ}\text{C}$ for the UC186x, $-25^{\circ}\text{C} \leq \text{T}_A \leq 85^{\circ}\text{C}$ for the UC286x, and $0^{\circ}\text{C} \leq \text{T}_A \leq 70^{\circ}\text{C}$ for the UC386x, $V_{\text{CC}}=12\text{V}$, $C_{\text{VCO}}=1\text{nF}$, $\text{Range}=7.15\text{k}$, $R_{\text{MIN}}=86.6\text{k}$, $C=200\text{pF}$, $R=4.02\text{k}$, and $C_{\text{sr}}=0.1\mu\text{F}$. $\text{T}_A=\text{T}_J$.

| PARAMETER | TEST CONDITIONS | MIN | TYP | MAX | UNITS |
|---|---|------|------|------|---------------|
| 5V Generator | | | | | |
| Output Voltage | $12\text{V} \leq V_{\text{CC}} \leq 20\text{V}$, $-10\text{mA} \leq I_{\text{O}} \leq 0\text{mA}$ | 4.8 | 5.0 | 5.2 | V |
| Short Circuit Current | $V_{\text{O}} = 0\text{V}$ | -150 | | -15 | mA |
| Soft-Reference | | | | | |
| Restart Delay Current | $V = 2\text{V}$ | 10 | 20 | 35 | μA |
| Soft Start Current | $V = 2\text{V}$ | -650 | -500 | -350 | μA |
| Reference Voltage | $T_J = 25^{\circ}\text{C}$, $I_{\text{O}} = 0\text{A}$ | 4.95 | 5.00 | 5.05 | V |
| | $12\text{V} \leq V_{\text{CC}} \leq 20\text{V}$, $-200\mu\text{A} \leq I_{\text{O}} \leq 200\mu\text{A}$ | 4.85 | | 5.15 | V |
| Line Regulation | $12\text{V} \leq V_{\text{CC}} \leq 20\text{V}$ | | 2 | 20 | mV |
| Load Regulation | $-200\mu\text{A} \leq I_{\text{O}} \leq 200\mu\text{A}$ | | 10 | 30 | mV |
| Error Amplifier (Note 3) | | | | | |
| Input Offset Voltage | $V_{\text{CM}} = 5\text{V}$, $V_{\text{O}} = 2\text{V}$, $I_{\text{O}} = 0\text{A}$ | -10 | | 10 | mV |
| Input Bias Current | $V_{\text{CM}} = 0\text{V}$ | -2.0 | -0.3 | | μA |
| Voltage Gain | $V_{\text{cm}} = 5\text{V}$, $0.5\text{V} \leq V_{\text{O}} \leq 3.7\text{V}$, $I_{\text{O}} = 0\text{A}$ | 70 | 100 | | dB |
| Power Supply Rejection Ratio | $V_{\text{cm}} = 5\text{V}$, $V_{\text{O}} = 2\text{V}$, $12\text{V} \leq V_{\text{CC}} \leq 20\text{V}$ | 70 | 100 | | dB |
| Error Amplifier (Note 3) (cont.) | | | | | |
| Common Mode Rejection Ratio | $0\text{V} \leq V_{\text{cm}} \leq 6\text{V}$, $V_{\text{O}} = 2\text{V}$ | 65 | 100 | | dB |
| V _{OUT} Low | $V_{\text{ID}} = -100\text{mV}$, $I_{\text{O}} = 200\mu\text{A}$ | | 0.17 | 0.25 | V |
| V _{OUT} High | $V_{\text{ID}} = 100\text{mV}$, $I_{\text{O}} = -200\mu\text{A}$ | 3.9 | 4.2 | | V |
| Unity Gain Bandwidth | (Note 4) | 0.5 | 0.8 | | MHz |
| Voltage Controlled Oscillator | | | | | |
| Maximum Frequency | $V_{\text{ID}} (\text{Error Amp}) = 100\text{mV}$, $T_J = 25^{\circ}\text{C}$ | 450 | 500 | 550 | kHz |
| | $V_{\text{ID}} (\text{Error Amp}) = 100\text{mV}$ | 425 | | 575 | kHz |
| Minimum Frequency | $V_{\text{ID}} (\text{Error Amp}) = -100\text{mV}$, $T_J = 25^{\circ}\text{C}$ | 45 | 50 | 55 | kHz |
| | $V_{\text{ID}} (\text{Error Amp}) = -100\text{mV}$ | 42 | | 58 | kHz |
| One Shot | | | | | |
| Zero Comparator V _{th} | | 0.45 | 0.50 | 0.55 | V |
| Propagation Delay | (Note 4) | | 120 | 200 | ns |
| Maximum Pulse Width | $V_{\text{ZERO}} = 1\text{V}$ | 850 | 1000 | 1150 | ns |
| Maximum to Minimum Pulse Width Ratio | $V_{\text{ZERO}} = 0\text{V}$ UCx861 – UCx864 | 2.5 | 4 | 5.5 | |
| | $V_{\text{ZERO}} = 0\text{V}$ UCx865 – UCx868. -55°C to $+85^{\circ}\text{C}$ | 4 | 5.5 | 7 | |
| | $V_{\text{ZERO}} = 0\text{V}$ UCx865 – UCx868, $+125^{\circ}\text{C}$ | 3.8 | 5.5 | 7 | |
| Output Stage | | | | | |
| Rise and Fall Time | $C_{\text{LOAD}} = 1\text{nF}$ (Note 4) | | 25 | 45 | ns |
| Output Low Saturation | $I_{\text{O}} = 20\text{mA}$ | | 0.2 | 0.5 | V |
| | $I_{\text{O}} = 200\text{mA}$ | | 0.5 | 2.2 | V |
| Output High Saturation | $I_{\text{O}} = -200\text{mA}$, down from V_{CC} | | 1.7 | 2.5 | V |
| UVLO Low Saturation | $I_{\text{O}} = 20\text{mA}$ | | 0.8 | 1.5 | V |
| Fault Comparator | | | | | |
| Fault Comparator V _{th} | | 2.85 | 3.00 | 3.15 | V |
| Delay to Output | (Note 4) (Note 5) | | 100 | 200 | ns |

ELECTRICAL CHARACTERISTICS Unless otherwise stated, all specifications apply for $-55^{\circ}\text{C} \leq T_A \leq 125^{\circ}\text{C}$ for the UC186x, $-25^{\circ}\text{C} \leq T_A \leq 85^{\circ}\text{C}$ for the UC286x, and $0^{\circ}\text{C} \leq T_A \leq 70^{\circ}\text{C}$ for the UC386x, $V_{CC}=12\text{V}$, $C_{VCO}=1\text{nF}$, $\text{Range}=7.15\text{k}$, $R_{\text{MIN}}=86.6\text{k}$, $C=200\text{pF}$, $R=4.02\text{k}$, and $C_{\text{sr}}=0.1\mu\text{F}$. $T_A=T_J$.

| PARAMETER | TEST CONDITIONS | MIN | TYP | MAX | UNITS |
|------------------------|--|-----|------|------|---------------|
| UVLO | | | | | |
| Vcc Turn-on Threshold | UCx861, UCx862, UCx865, UCx866 | 15 | 16.5 | 18 | V |
| | UCx863, UCx864, UCx867, UCx868 | 7 | 8.0 | 9 | V |
| Vcc Turn-off Threshold | UCx861, UCx862, UCx865, UCx866 | 9.5 | 10.5 | 11.5 | V |
| | UCx863, UCx864, UCx867, UCx868 | 6 | 7.0 | 8 | V |
| Icc Start | $V_{CC} = V_{CC(\text{on})} - 0.3\text{V}$ | | 150 | 300 | μA |
| Icc Run | $V_{\text{ID}} = 100\text{mV}$ | | 25 | 32 | mA |

Note 1: Currents are defined as positive into the pin.

Note 2: Pulse measurement techniques are used to insure that $T_J = T_A$.

Note 3: $V_{\text{ID}} = V(\text{NI}) - V(\text{INV})$.

Note 4: This parameter is not 100% tested in production but guaranteed by design.

Note 5: $V_i = 0$ to 4V $t_r(V_i) = 10\text{ns}$ $t_{\text{pd}} = t(V_o = 6\text{V}) - t(V_i = 3\text{V})$

APPLICATION INFORMATION

UVLO & 5V GENERATOR (See Figure 1): When power is applied to the chip and V_{CC} is less than the upper UVLO threshold, I_{CC} will be less than $300\mu\text{A}$, the 5V generator will be off, and the outputs will be actively held low.

When V_{CC} exceeds the upper UVLO threshold, the 5V generator turns on. Until the 5V pin exceeds 4.9V, the outputs will still remain low.

The 5V pin should be bypassed to signal ground with a $0.1\mu\text{F}$ capacitor. The capacitor should have low equivalent series resistance and inductance.

FAULT AND SOFT-REFERENCE (See Figure 1): The Soft-Ref pin serves three functions: system reference, restart delay, and soft-start. Designed to source or sink $200\mu\text{A}$, this pin should be used as the input reference for the error amplifier circuit. This pin requires a bypass capacitor of at least $0.1\mu\text{F}$. This yields a minimum soft-start time of 1ms.

Under-Voltage Lockout sets both the fault and restart delay latches. This holds the outputs low and discharges the Soft-Ref pin. After UVLO, the fault latch is reset by the low voltage on the Soft-Ref pin. The reset fault latch resets the delay latch and Soft-Ref charges via the 0.5mA current source.

The fault pin is input to a high speed comparator with a threshold of 3V. In the event of a detected fault, the fault latch is set and the outputs are driven low. If Soft-Ref is above 4V, the delay latch is set. Restart delay is timed as Soft-Ref is discharged by $20\mu\text{A}$. When Soft-Ref is fully discharged, the fault latch is reset if the fault input signal is low. The Fault pin can be used as a system shutdown pin.

If a fault is detected during soft-start, the fault latch is set and the outputs are driven low. The delay latch will remain reset until Soft-Ref charges to 4V. This sets the delay latch, and restart delay is timed. Note that restart delay for a single fault event is longer than for recurring faults since Soft-Ref must be discharged from 5V instead of 4V.

The restart delay to soft-start time ratio is 24:1 for a fault occurring during normal operation and 19:1 for faults occurring during soft-start. Shorter ratios can be programmed down to a limit of approximately 3:1 by the addition of a $20\text{k}\Omega$ or larger resistor from Soft-Ref to ground.

A $100\text{k}\Omega$ resistor from Soft-Ref to 5V will have the effect of permanent shut down after a fault since the internal $20\mu\text{A}$ current source can't pull Soft-Ref low. This feature can be used to require recycling V_{CC} after a fault. Care must be taken to insure Soft-Ref is indeed low at start up, or the fault latch will never be reset.

APPLICATION INFORMATION

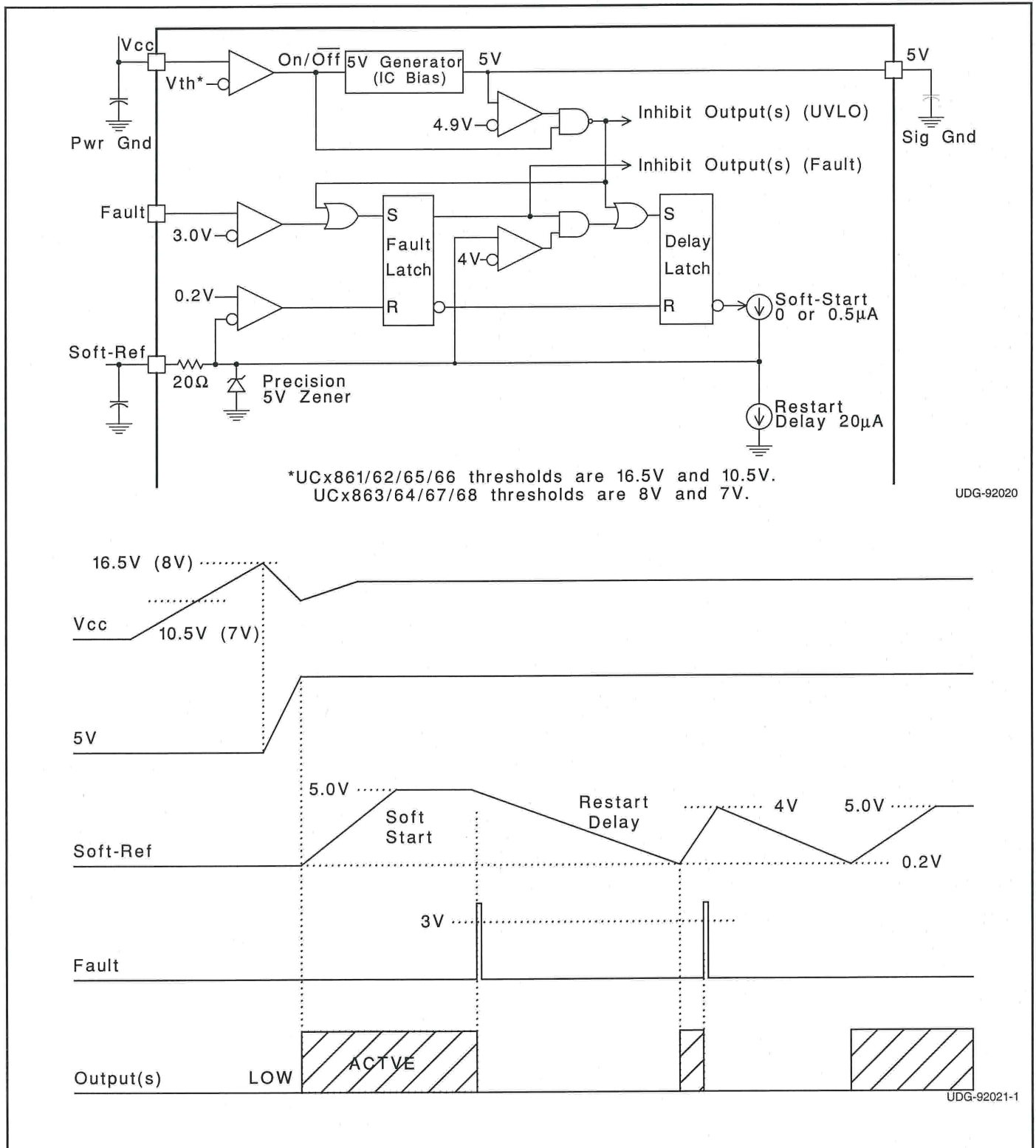
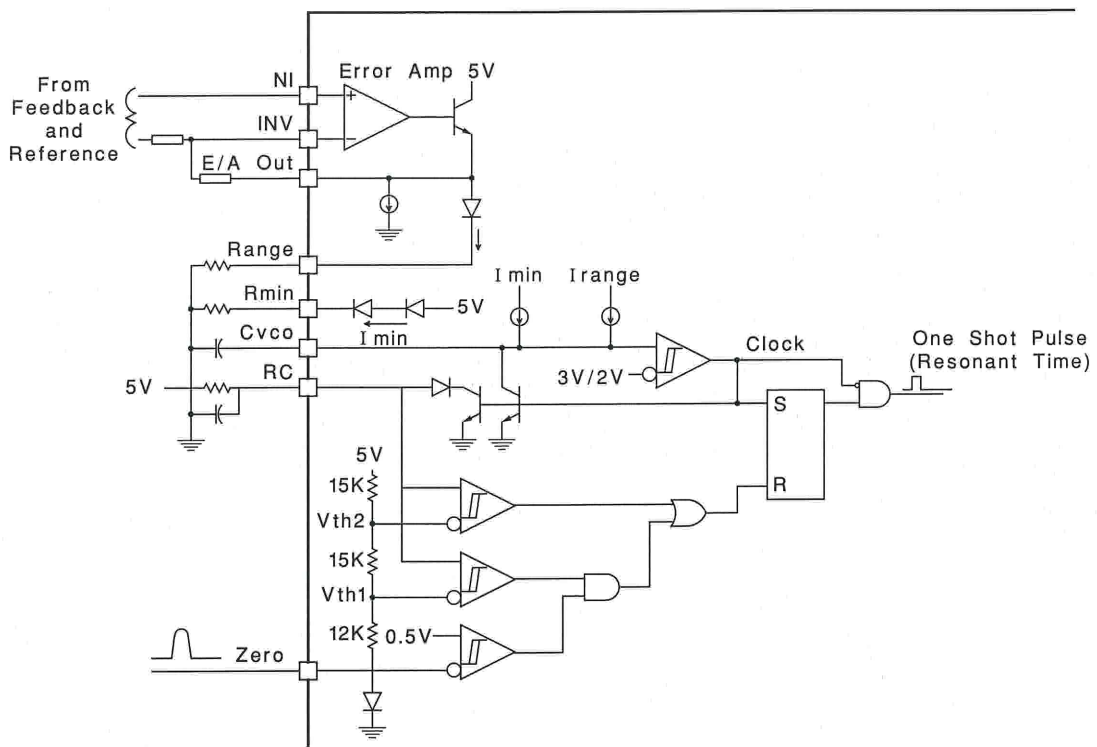
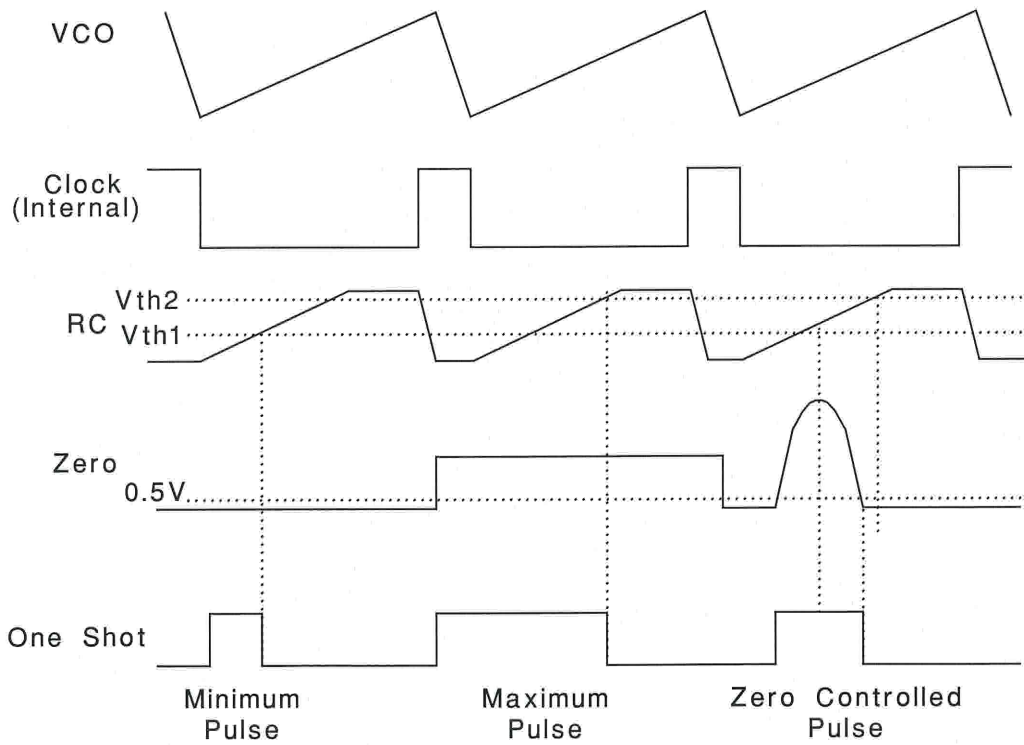


Figure 1. UVLO, 5V, fault and soft-ref.



UDG-92022-1



UDG-92023-1

Figure 2. Error Amp, Voltage Controlled Oscillator, and One Shot

APPLICATION INFORMATION

Minimum oscillator frequency is set by R_{min} and C_{VCO} . The minimum frequency is approximately given by the equation:

$$F_{MIN} \cong \frac{3.6}{R_{MIN} \cdot C_{VCO}}$$

Maximum oscillator frequency is set by R_{min} , Range & C_{VCO} . The maximum frequency is approximately given by the equation:

$$F_{MAX} \cong \frac{3.6}{(R_{MIN} // Range) \cdot C_{VCO}}$$

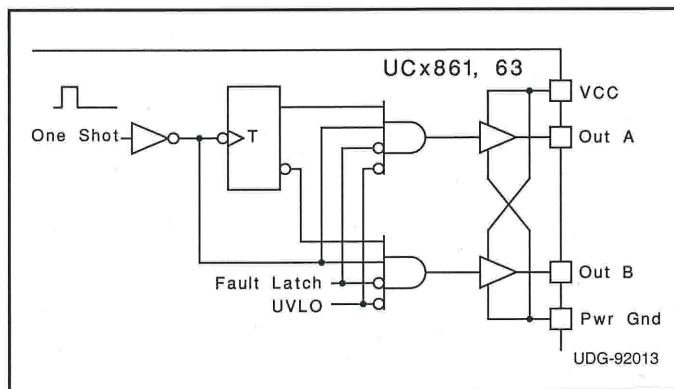
The Error Amplifier directly controls the oscillator frequency. E/A output low corresponds to minimum frequency and output high corresponds to maximum frequency. At the end of each oscillator cycle, the RC pin is discharged to one diode drop above ground. At the beginning of the oscillator cycle, $V(RC)$ is less than V_{th1} and so the output of the zero detect comparator is ignored. After $V(RC)$ exceeds V_{th1} , the one shot pulse will be terminated as soon as the zero pin falls below 0.5V or $V(RC)$ exceeds V_{th2} . The minimum one shot pulse width is approximately given by the equation:

$$Tp_{w(min)} \cong 0.3 R C.$$

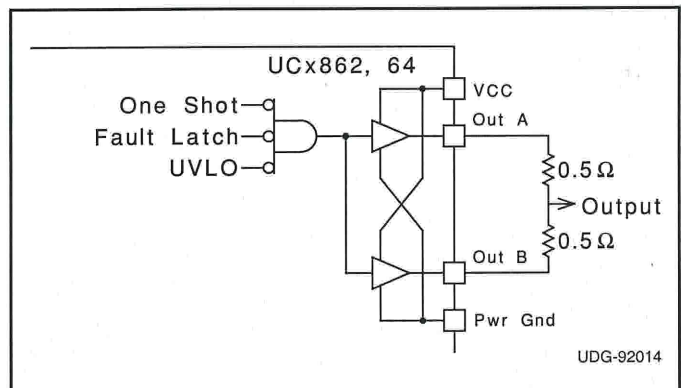
The maximum pulse width is approximately given by:

$$Tp_{w(max)} \cong 1.2 R C.$$

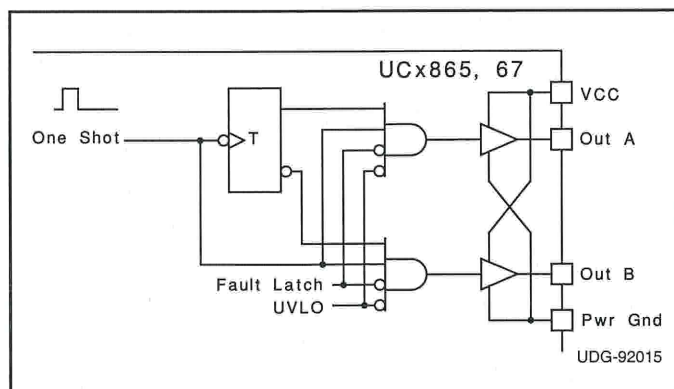
STEERING LOGIC



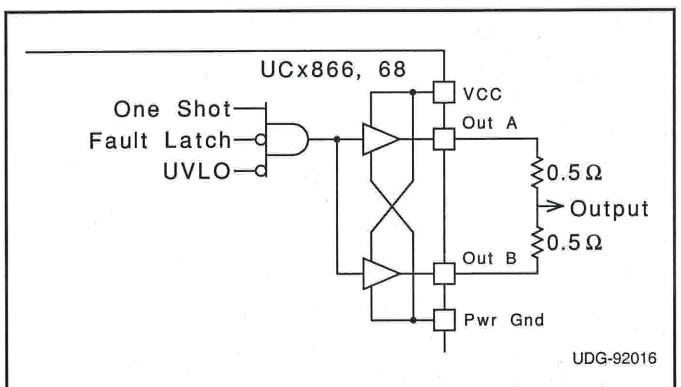
The steering logic is configured on the UC1861,63 to result in dual non-overlapping square waves at outputs A & B. This is suited to drive dual switch ZVS systems.



The steering logic is configured on the UC1862,64 to result in inverted pulse trains occurring identically at both output pins. This is suited to drive single switch ZVS systems. Both outputs are available to drive the same MOSFET gate. It is advisable to join the pins with 0.5 ohm resistors.



The steering logic is configured on the UC1865,67 to result in alternating pulse trains at outputs A & B. This is suited to drive dual switch ZCS systems.



The steering logic is configured on the UC1866,68 to result in non-inverted pulse trains occurring identically at both output pins. This is suited to drive single switch ZCS systems. Both outputs are available to drive the same MOSFET gate. It is advisable to join the pins with 0.5 ohm resistors.

APPLICATION INFORMATION (cont.)

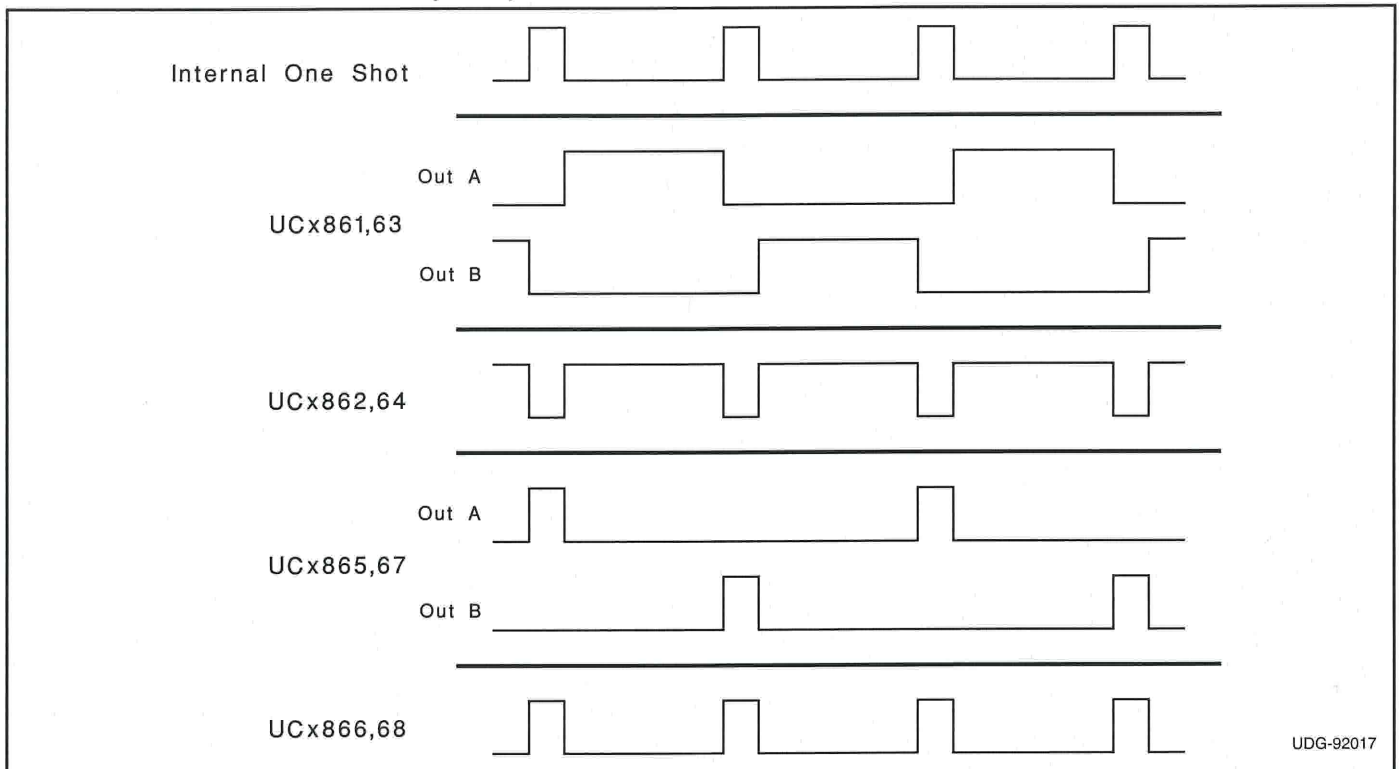


Figure 3. Current waveforms.

PACKAGING INFORMATION

| Orderable Device | Status ⁽¹⁾ | Package Type | Package Drawing | Pins | Package Qty | Eco Plan ⁽²⁾ | Lead/Ball Finish | MSL Peak Temp ⁽³⁾ |
|------------------|-----------------------|--------------|-----------------|------|-------------|-------------------------|------------------|------------------------------|
| 5962-9203101M2A | OBSOLETE | LCCC | FK | 20 | | TBD | Call TI | Call TI |
| 5962-9203101MEA | OBSOLETE | CDIP | J | 16 | | TBD | Call TI | Call TI |
| 5962-9203102MEA | OBSOLETE | CDIP | J | 16 | | TBD | Call TI | Call TI |
| 5962-9203103Q2A | ACTIVE | LCCC | FK | 20 | 1 | TBD | POST-PLATE | N / A for Pkg Type |
| 5962-9203103QEA | ACTIVE | CDIP | J | 16 | 1 | TBD | A42 SNPB | N / A for Pkg Type |
| UC1861J | OBSOLETE | CDIP | J | 16 | | TBD | Call TI | Call TI |
| UC1861J883B | OBSOLETE | CDIP | J | 16 | | TBD | Call TI | Call TI |
| UC1863J | ACTIVE | CDIP | J | 16 | 1 | TBD | A42 SNPB | N / A for Pkg Type |
| UC1863J883B | ACTIVE | CDIP | J | 16 | 1 | TBD | A42 SNPB | N / A for Pkg Type |
| UC1863L | ACTIVE | LCCC | FK | 20 | 1 | TBD | POST-PLATE | N / A for Pkg Type |
| UC1863L883B | ACTIVE | LCCC | FK | 20 | 1 | TBD | POST-PLATE | N / A for Pkg Type |
| UC1864J | OBSOLETE | CDIP | J | 16 | | TBD | Call TI | Call TI |
| UC1864J883B | OBSOLETE | CDIP | J | 16 | | TBD | Call TI | Call TI |
| UC1864L | OBSOLETE | LCCC | FK | 20 | | TBD | Call TI | Call TI |
| UC1864L883B | OBSOLETE | LCCC | FK | 20 | | TBD | Call TI | Call TI |
| UC1865J | OBSOLETE | CDIP | J | 16 | | TBD | Call TI | Call TI |
| UC1865J883B | OBSOLETE | CDIP | J | 16 | | TBD | Call TI | Call TI |
| UC1867J | OBSOLETE | CDIP | J | 16 | | TBD | Call TI | Call TI |
| UC1867L | OBSOLETE | LCCC | FK | 20 | | TBD | Call TI | Call TI |
| UC2861DW | ACTIVE | SOIC | DW | 16 | 40 | Green (RoHS & no Sb/Br) | CU NIPDAU | Level-2-260C-1 YEAR |
| UC2861DWG4 | ACTIVE | SOIC | DW | 16 | 40 | Green (RoHS & no Sb/Br) | CU NIPDAU | Level-2-260C-1 YEAR |
| UC2861N | ACTIVE | PDIP | N | 16 | 25 | Green (RoHS & no Sb/Br) | CU NIPDAU | N / A for Pkg Type |
| UC2861NG4 | ACTIVE | PDIP | N | 16 | 25 | Green (RoHS & no Sb/Br) | CU NIPDAU | N / A for Pkg Type |
| UC2861Q | ACTIVE | PLCC | FN | 20 | 46 | Green (RoHS & no Sb/Br) | CU SN | Level-2-260C-1 YEAR |
| UC2861QG3 | ACTIVE | PLCC | FN | 20 | 46 | Green (RoHS & no Sb/Br) | CU SN | Level-2-260C-1 YEAR |
| UC2863DW | ACTIVE | SOIC | DW | 16 | 40 | Green (RoHS & no Sb/Br) | CU NIPDAU | Level-2-260C-1 YEAR |
| UC2863DWG4 | ACTIVE | SOIC | DW | 16 | 40 | Green (RoHS & no Sb/Br) | CU NIPDAU | Level-2-260C-1 YEAR |
| UC2863N | ACTIVE | PDIP | N | 16 | 25 | Green (RoHS & no Sb/Br) | CU NIPDAU | N / A for Pkg Type |
| UC2863NG4 | ACTIVE | PDIP | N | 16 | 25 | Green (RoHS & no Sb/Br) | CU NIPDAU | N / A for Pkg Type |
| UC2864DW | ACTIVE | SOIC | DW | 16 | 40 | Green (RoHS & no Sb/Br) | CU NIPDAU | Level-2-260C-1 YEAR |
| UC2864DWG4 | ACTIVE | SOIC | DW | 16 | 40 | Green (RoHS & no Sb/Br) | CU NIPDAU | Level-2-260C-1 YEAR |
| UC2865N | ACTIVE | PDIP | N | 16 | 25 | Green (RoHS & no Sb/Br) | CU NIPDAU | N / A for Pkg Type |
| UC2865NG4 | ACTIVE | PDIP | N | 16 | 25 | Green (RoHS & no Sb/Br) | CU NIPDAU | N / A for Pkg Type |

| Orderable Device | Status ⁽¹⁾ | Package Type | Package Drawing | Pins | Package Qty | Eco Plan ⁽²⁾ | Lead/Ball Finish | MSL Peak Temp ⁽³⁾ |
|------------------|-----------------------|--------------|-----------------|------|-------------|-------------------------|------------------|------------------------------|
| | | | | | | no Sb/Br) | | |
| UC2866N | ACTIVE | PDIP | N | 16 | 25 | Green (RoHS & no Sb/Br) | CU NIPDAU | N / A for Pkg Type |
| UC2866NG4 | ACTIVE | PDIP | N | 16 | 25 | Green (RoHS & no Sb/Br) | CU NIPDAU | N / A for Pkg Type |
| UC3861DW | ACTIVE | SOIC | DW | 16 | 40 | Green (RoHS & no Sb/Br) | CU NIPDAU | Level-2-260C-1 YEAR |
| UC3861DWG4 | ACTIVE | SOIC | DW | 16 | 40 | Green (RoHS & no Sb/Br) | CU NIPDAU | Level-2-260C-1 YEAR |
| UC3861N | ACTIVE | PDIP | N | 16 | 25 | Green (RoHS & no Sb/Br) | CU NIPDAU | N / A for Pkg Type |
| UC3861NG4 | ACTIVE | PDIP | N | 16 | 25 | Green (RoHS & no Sb/Br) | CU NIPDAU | N / A for Pkg Type |
| UC3862N | ACTIVE | PDIP | N | 16 | 25 | Green (RoHS & no Sb/Br) | CU NIPDAU | N / A for Pkg Type |
| UC3862NG4 | ACTIVE | PDIP | N | 16 | 25 | Green (RoHS & no Sb/Br) | CU NIPDAU | N / A for Pkg Type |
| UC3863DW | ACTIVE | SOIC | DW | 16 | 40 | Green (RoHS & no Sb/Br) | CU NIPDAU | Level-2-260C-1 YEAR |
| UC3863DWG4 | ACTIVE | SOIC | DW | 16 | 40 | Green (RoHS & no Sb/Br) | CU NIPDAU | Level-2-260C-1 YEAR |
| UC3863DWTR | ACTIVE | SOIC | DW | 16 | 2000 | Green (RoHS & no Sb/Br) | CU NIPDAU | Level-2-260C-1 YEAR |
| UC3863DWTRG4 | ACTIVE | SOIC | DW | 16 | 2000 | Green (RoHS & no Sb/Br) | CU NIPDAU | Level-2-260C-1 YEAR |
| UC3863N | ACTIVE | PDIP | N | 16 | 25 | Green (RoHS & no Sb/Br) | CU NIPDAU | N / A for Pkg Type |
| UC3863NG4 | ACTIVE | PDIP | N | 16 | 25 | Green (RoHS & no Sb/Br) | CU NIPDAU | N / A for Pkg Type |
| UC3864N | ACTIVE | PDIP | N | 16 | 25 | Green (RoHS & no Sb/Br) | CU NIPDAU | N / A for Pkg Type |
| UC3864NG4 | ACTIVE | PDIP | N | 16 | 25 | Green (RoHS & no Sb/Br) | CU NIPDAU | N / A for Pkg Type |
| UC3865DW | ACTIVE | SOIC | DW | 16 | 40 | Green (RoHS & no Sb/Br) | CU NIPDAU | Level-2-260C-1 YEAR |
| UC3865DWG4 | ACTIVE | SOIC | DW | 16 | 40 | Green (RoHS & no Sb/Br) | CU NIPDAU | Level-2-260C-1 YEAR |
| UC3865DWTR | ACTIVE | SOIC | DW | 16 | 2000 | Green (RoHS & no Sb/Br) | CU NIPDAU | Level-2-260C-1 YEAR |
| UC3865DWTRG4 | ACTIVE | SOIC | DW | 16 | 2000 | Green (RoHS & no Sb/Br) | CU NIPDAU | Level-2-260C-1 YEAR |
| UC3865N | ACTIVE | PDIP | N | 16 | 25 | Green (RoHS & no Sb/Br) | CU NIPDAU | N / A for Pkg Type |
| UC3865NG4 | ACTIVE | PDIP | N | 16 | 25 | Green (RoHS & no Sb/Br) | CU NIPDAU | N / A for Pkg Type |
| UC3865Q | ACTIVE | PLCC | FN | 20 | 46 | Green (RoHS & no Sb/Br) | CU SN | Level-2-260C-1 YEAR |
| UC3865QG3 | ACTIVE | PLCC | FN | 20 | 46 | Green (RoHS & no Sb/Br) | CU SN | Level-2-260C-1 YEAR |
| UC3867DW | ACTIVE | SOIC | DW | 16 | 40 | Green (RoHS & no Sb/Br) | CU NIPDAU | Level-2-260C-1 YEAR |

| Orderable Device | Status ⁽¹⁾ | Package Type | Package Drawing | Pins | Package Qty | Eco Plan ⁽²⁾ | Lead/Ball Finish | MSL Peak Temp ⁽³⁾ |
|------------------|-----------------------|--------------|-----------------|------|-------------|-------------------------|------------------|------------------------------|
| UC3867DWG4 | ACTIVE | SOIC | DW | 16 | 40 | Green (RoHS & no Sb/Br) | CU NIPDAU | Level-2-260C-1 YEAR |
| UC3867DWTR | ACTIVE | SOIC | DW | 16 | 2000 | Green (RoHS & no Sb/Br) | CU NIPDAU | Level-2-260C-1 YEAR |
| UC3867DWTRG4 | ACTIVE | SOIC | DW | 16 | 2000 | Green (RoHS & no Sb/Br) | CU NIPDAU | Level-2-260C-1 YEAR |
| UC3867N | ACTIVE | PDIP | N | 16 | 25 | Green (RoHS & no Sb/Br) | CU NIPDAU | N / A for Pkg Type |
| UC3867NG4 | ACTIVE | PDIP | N | 16 | 25 | Green (RoHS & no Sb/Br) | CU NIPDAU | N / A for Pkg Type |
| UC3868N | ACTIVE | PDIP | N | 16 | 25 | Green (RoHS & no Sb/Br) | CU NIPDAU | N / A for Pkg Type |
| UC3868NG4 | ACTIVE | PDIP | N | 16 | 25 | Green (RoHS & no Sb/Br) | CU NIPDAU | N / A for Pkg Type |

⁽¹⁾ The marketing status values are defined as follows:

ACTIVE: Product device recommended for new designs.

LIFEBUY: TI has announced that the device will be discontinued, and a lifetime-buy period is in effect.

NRND: Not recommended for new designs. Device is in production to support existing customers, but TI does not recommend using this part in a new design.

PREVIEW: Device has been announced but is not in production. Samples may or may not be available.

OBSOLETE: TI has discontinued the production of the device.

⁽²⁾ Eco Plan - The planned eco-friendly classification: Pb-Free (RoHS), Pb-Free (RoHS Exempt), or Green (RoHS & no Sb/Br) - please check <http://www.ti.com/productcontent> for the latest availability information and additional product content details.

TBD: The Pb-Free/Green conversion plan has not been defined.

Pb-Free (RoHS): TI's terms "Lead-Free" or "Pb-Free" mean semiconductor products that are compatible with the current RoHS requirements for all 6 substances, including the requirement that lead not exceed 0.1% by weight in homogeneous materials. Where designed to be soldered at high temperatures, TI Pb-Free products are suitable for use in specified lead-free processes.

Pb-Free (RoHS Exempt): This component has a RoHS exemption for either 1) lead-based flip-chip solder bumps used between the die and package, or 2) lead-based die adhesive used between the die and leadframe. The component is otherwise considered Pb-Free (RoHS compatible) as defined above.

Green (RoHS & no Sb/Br): TI defines "Green" to mean Pb-Free (RoHS compatible), and free of Bromine (Br) and Antimony (Sb) based flame retardants (Br or Sb do not exceed 0.1% by weight in homogeneous material)

⁽³⁾ MSL, Peak Temp. -- The Moisture Sensitivity Level rating according to the JEDEC industry standard classifications, and peak solder temperature.

Important Information and Disclaimer: The information provided on this page represents TI's knowledge and belief as of the date that it is provided. TI bases its knowledge and belief on information provided by third parties, and makes no representation or warranty as to the accuracy of such information. Efforts are underway to better integrate information from third parties. TI has taken and continues to take reasonable steps to provide representative and accurate information but may not have conducted destructive testing or chemical analysis on incoming materials and chemicals. TI and TI suppliers consider certain information to be proprietary, and thus CAS numbers and other limited information may not be available for release.

In no event shall TI's liability arising out of such information exceed the total purchase price of the TI part(s) at issue in this document sold by TI to Customer on an annual basis.

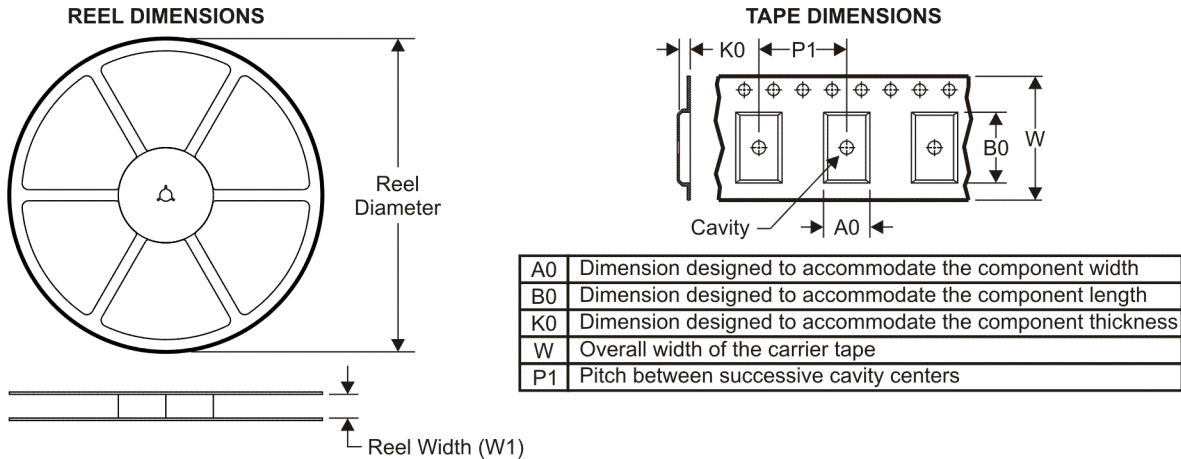
OTHER QUALIFIED VERSIONS OF UC1861, UC1863, UC1864, UC1865, UC1867, UC3861, UC3863, UC3864, UC3865, UC3867 :

● Space: [UC1863-SP](#)

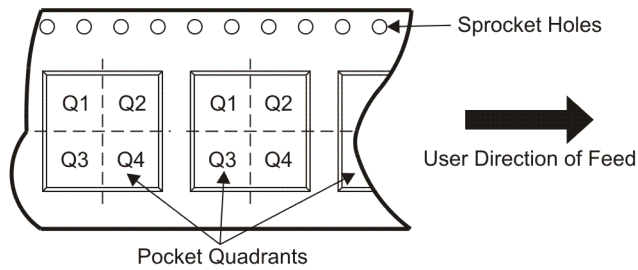
NOTE: Qualified Version Definitions:

● Space - Radiation tolerant, ceramic packaging and qualified for use in Space-based application

TAPE AND REEL INFORMATION



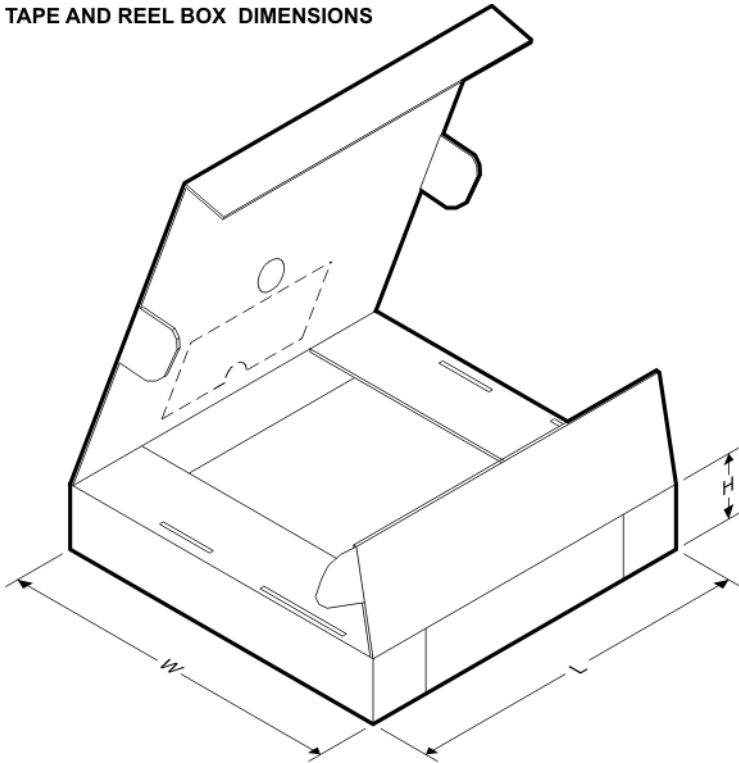
QUADRANT ASSIGNMENTS FOR PIN 1 ORIENTATION IN TAPE



*All dimensions are nominal

| Device | Package Type | Package Drawing | Pins | SPQ | Reel Diameter (mm) | Reel Width W1 (mm) | A0 (mm) | B0 (mm) | K0 (mm) | P1 (mm) | W (mm) | Pin1 Quadrant |
|------------|--------------|-----------------|------|------|--------------------|--------------------|---------|---------|---------|---------|--------|---------------|
| UC3863DWTR | SOIC | DW | 16 | 2000 | 330.0 | 16.4 | 10.85 | 10.8 | 2.7 | 12.0 | 16.0 | Q1 |
| UC3865DWTR | SOIC | DW | 16 | 2000 | 330.0 | 16.4 | 10.85 | 10.8 | 2.7 | 12.0 | 16.0 | Q1 |
| UC3867DWTR | SOIC | DW | 16 | 2000 | 330.0 | 16.4 | 10.85 | 10.8 | 2.7 | 12.0 | 16.0 | Q1 |

TAPE AND REEL BOX DIMENSIONS



*All dimensions are nominal

| Device | Package Type | Package Drawing | Pins | SPQ | Length (mm) | Width (mm) | Height (mm) |
|------------|--------------|-----------------|------|------|-------------|------------|-------------|
| UC3863DWTR | SOIC | DW | 16 | 2000 | 346.0 | 346.0 | 33.0 |
| UC3865DWTR | SOIC | DW | 16 | 2000 | 346.0 | 346.0 | 33.0 |
| UC3867DWTR | SOIC | DW | 16 | 2000 | 346.0 | 346.0 | 33.0 |

IMPORTANT NOTICE

Texas Instruments Incorporated and its subsidiaries (TI) reserve the right to make corrections, modifications, enhancements, improvements, and other changes to its products and services at any time and to discontinue any product or service without notice. Customers should obtain the latest relevant information before placing orders and should verify that such information is current and complete. All products are sold subject to TI's terms and conditions of sale supplied at the time of order acknowledgment.

TI warrants performance of its hardware products to the specifications applicable at the time of sale in accordance with TI's standard warranty. Testing and other quality control techniques are used to the extent TI deems necessary to support this warranty. Except where mandated by government requirements, testing of all parameters of each product is not necessarily performed.

TI assumes no liability for applications assistance or customer product design. Customers are responsible for their products and applications using TI components. To minimize the risks associated with customer products and applications, customers should provide adequate design and operating safeguards.

TI does not warrant or represent that any license, either express or implied, is granted under any TI patent right, copyright, mask work right, or other TI intellectual property right relating to any combination, machine, or process in which TI products or services are used. Information published by TI regarding third-party products or services does not constitute a license from TI to use such products or services or a warranty or endorsement thereof. Use of such information may require a license from a third party under the patents or other intellectual property of the third party, or a license from TI under the patents or other intellectual property of TI.

Reproduction of TI information in TI data books or data sheets is permissible only if reproduction is without alteration and is accompanied by all associated warranties, conditions, limitations, and notices. Reproduction of this information with alteration is an unfair and deceptive business practice. TI is not responsible or liable for such altered documentation. Information of third parties may be subject to additional restrictions.

Resale of TI products or services with statements different from or beyond the parameters stated by TI for that product or service voids all express and any implied warranties for the associated TI product or service and is an unfair and deceptive business practice. TI is not responsible or liable for any such statements.

TI products are not authorized for use in safety-critical applications (such as life support) where a failure of the TI product would reasonably be expected to cause severe personal injury or death, unless officers of the parties have executed an agreement specifically governing such use. Buyers represent that they have all necessary expertise in the safety and regulatory ramifications of their applications, and acknowledge and agree that they are solely responsible for all legal, regulatory and safety-related requirements concerning their products and any use of TI products in such safety-critical applications, notwithstanding any applications-related information or support that may be provided by TI. Further, Buyers must fully indemnify TI and its representatives against any damages arising out of the use of TI products in such safety-critical applications.

TI products are neither designed nor intended for use in military/aerospace applications or environments unless the TI products are specifically designated by TI as military-grade or "enhanced plastic." Only products designated by TI as military-grade meet military specifications. Buyers acknowledge and agree that any such use of TI products which TI has not designated as military-grade is solely at the Buyer's risk, and that they are solely responsible for compliance with all legal and regulatory requirements in connection with such use.

TI products are neither designed nor intended for use in automotive applications or environments unless the specific TI products are designated by TI as compliant with ISO/TS 16949 requirements. Buyers acknowledge and agree that, if they use any non-designated products in automotive applications, TI will not be responsible for any failure to meet such requirements.

Following are URLs where you can obtain information on other Texas Instruments products and application solutions:

Products

| | |
|-----------------------------|--|
| Amplifiers | amplifier.ti.com |
| Data Converters | dataconverter.ti.com |
| DLP® Products | www.dlp.com |
| DSP | dsp.ti.com |
| Clocks and Timers | www.ti.com/clocks |
| Interface | interface.ti.com |
| Logic | logic.ti.com |
| Power Mgmt | power.ti.com |
| Microcontrollers | microcontroller.ti.com |
| RFID | www.ti-rfid.com |
| RF/IF and ZigBee® Solutions | www.ti.com/lprf |

Applications

| | |
|--------------------|--|
| Audio | www.ti.com/audio |
| Automotive | www.ti.com/automotive |
| Broadband | www.ti.com/broadband |
| Digital Control | www.ti.com/digitalcontrol |
| Medical | www.ti.com/medical |
| Military | www.ti.com/military |
| Optical Networking | www.ti.com/opticalnetwork |
| Security | www.ti.com/security |
| Telephony | www.ti.com/telephony |
| Video & Imaging | www.ti.com/video |
| Wireless | www.ti.com/wireless |

Mailing Address: Texas Instruments, Post Office Box 655303, Dallas, Texas 75265
Copyright © 2009, Texas Instruments Incorporated

Looking for pricing, stock, or lifecycle information?

Click below to explore more details on WIN SOURCE:

 [View UC3863N on WIN SOURCE](#)

 [Texas Instruments](#) Information

Optimize Your Supply Chain with WIN SOURCE Solutions

-  Global Sourcing Solution
-  Obsolete Management
-  Cost Control Management
-  Shortage Management
-  Alternative Solution
-  Excess Inventory Management